



DANGER

Danger of electrical shock, burns or death. Always remove all power sources before attempting any repair, service or diagnostic work. Power can be present from shore power, generator, inverter or battery. All power sources must be disabled and secured before performing any service.



CAUTION

If you lack the skills, tools or equipment to perform diagnostic or repair work leave such work to an authorized Winnebago Industries dealer or other qualified shop.

PANEL-CLOSEOUT,
ELECTRICAL
175347-06-CHT
SCREW
G11-08-12U (4)

CIRCUIT BREAKERS
DETAIL CA

PANEL-CLOSEOUT,
ELECTRICAL
175347-02-CHT (2)
SCREW
G39-10-12U (4)

FUSE BLOCK
(CHASSIS SUPPLIED)
(REF)

CHASSIS
BATTERIES
(REF)

FREIGHTLINER
STARTER CABLE

VIEW BA

265 CODES/STANDARDS-CSA/CMVSS

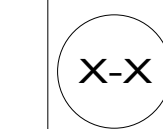
1B1 CODES/STANDARDS USA

1B1 265

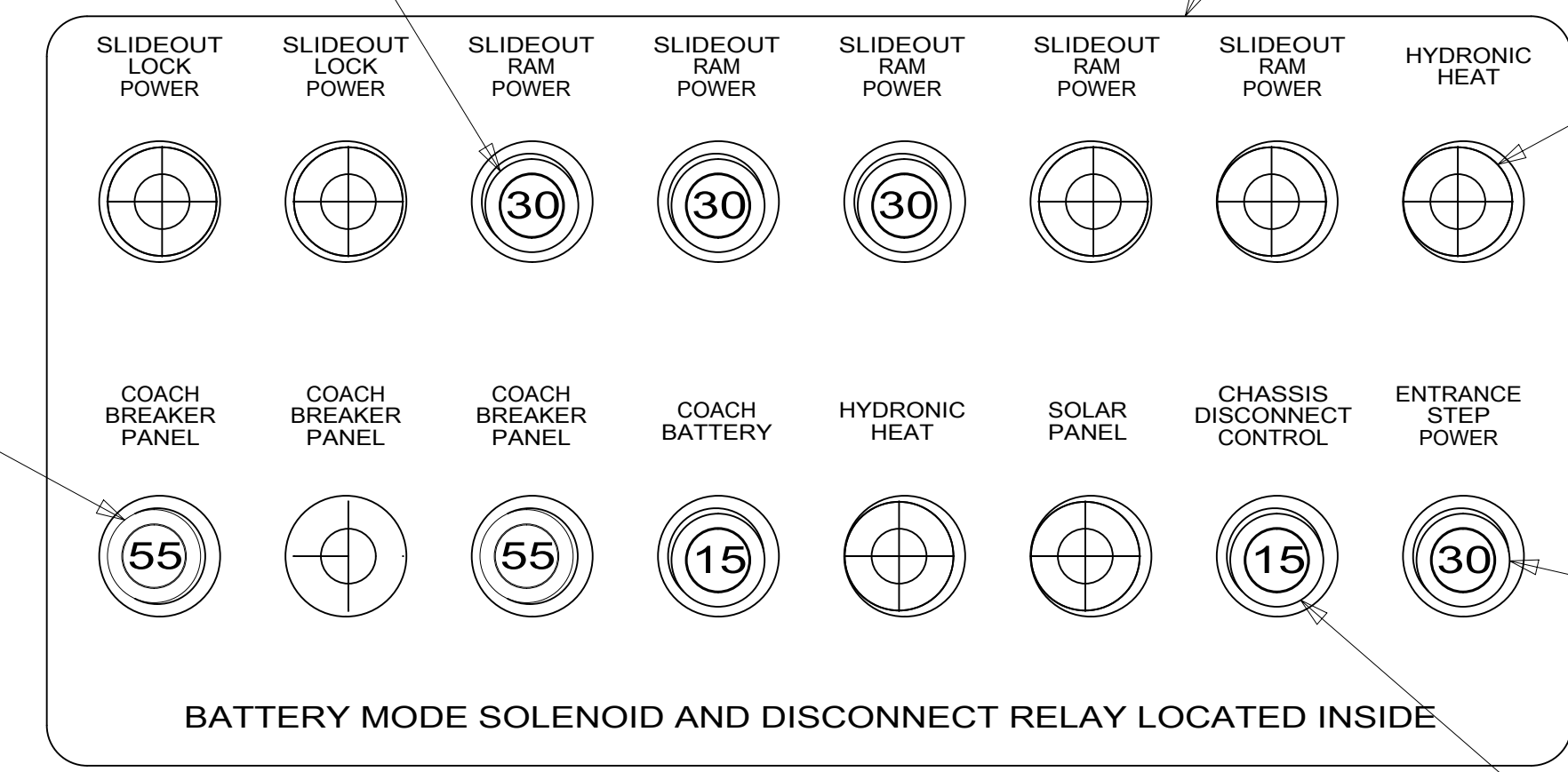
FIRST USED	15 L36G
TITLE:	DO NOT SCALE DRAWING
	WIRING INSTL-CHASSIS
SHEET 2	PART NO 189947 REV

FOR ELECTRICAL
TORQUE
SPECIFICATIONS
SEE DWG NO.
128783-01-000

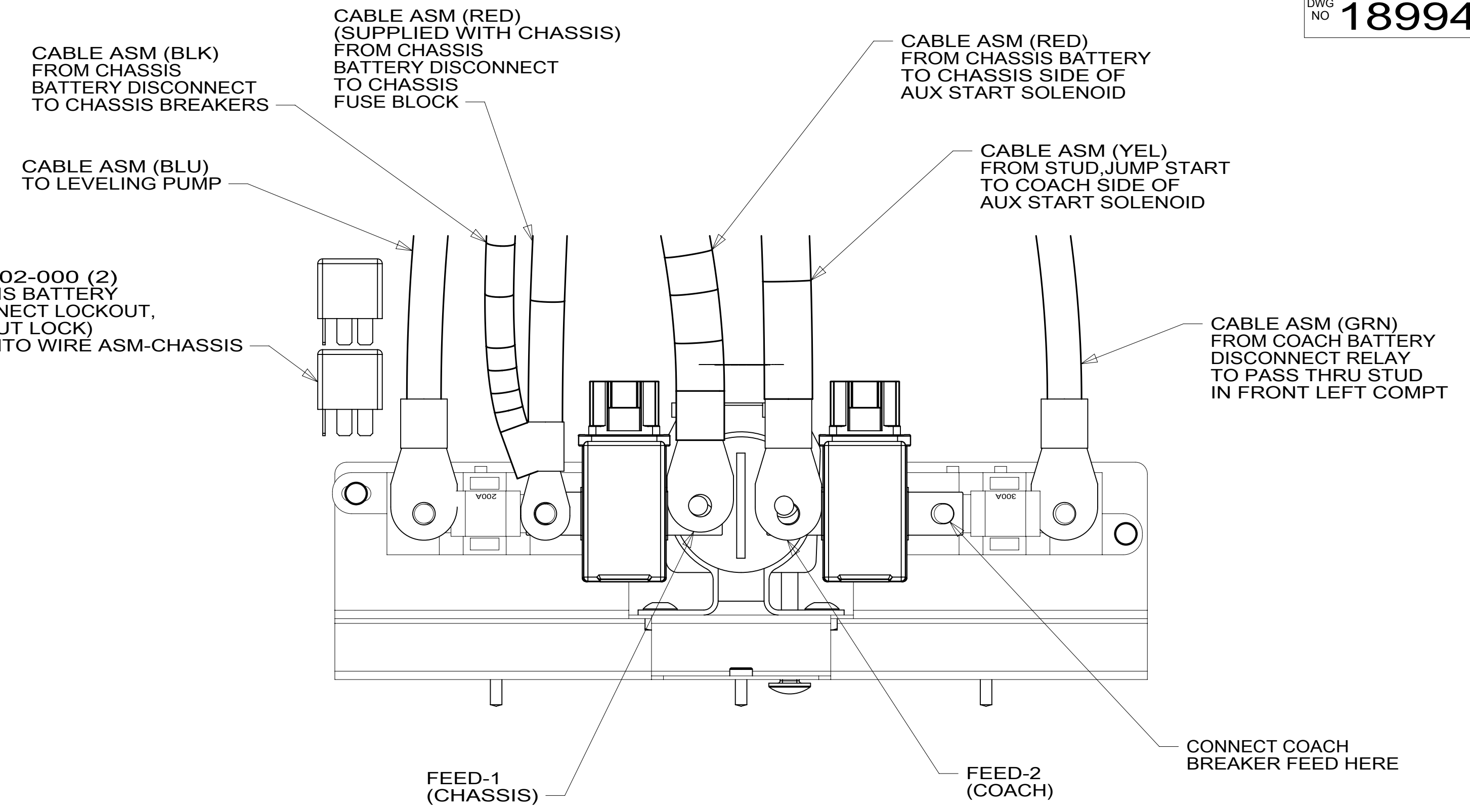
FOR
ELECTRICAL
CALLOUTS
SEE DWG NO.
121339-01-000



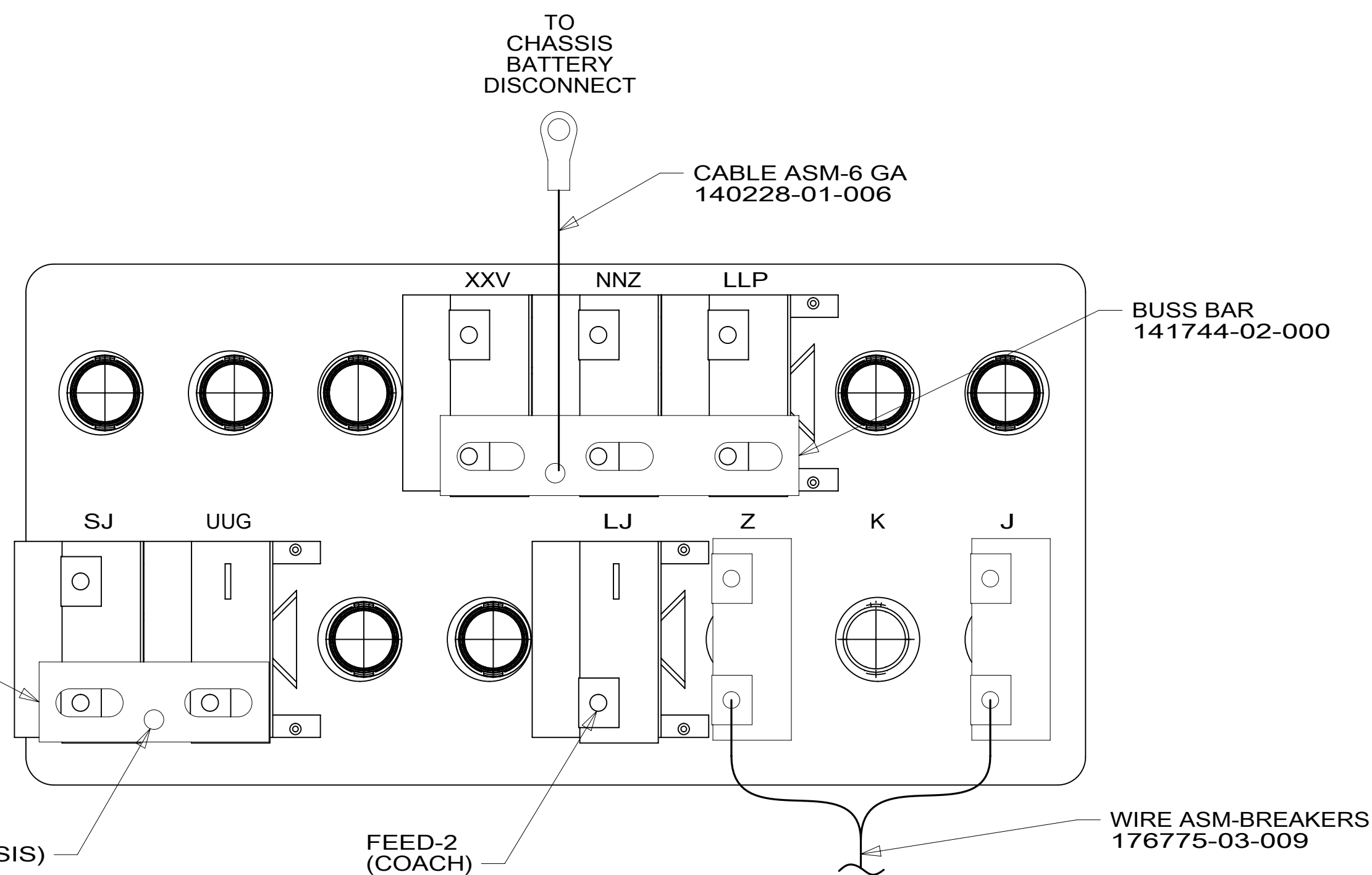
A * 189947



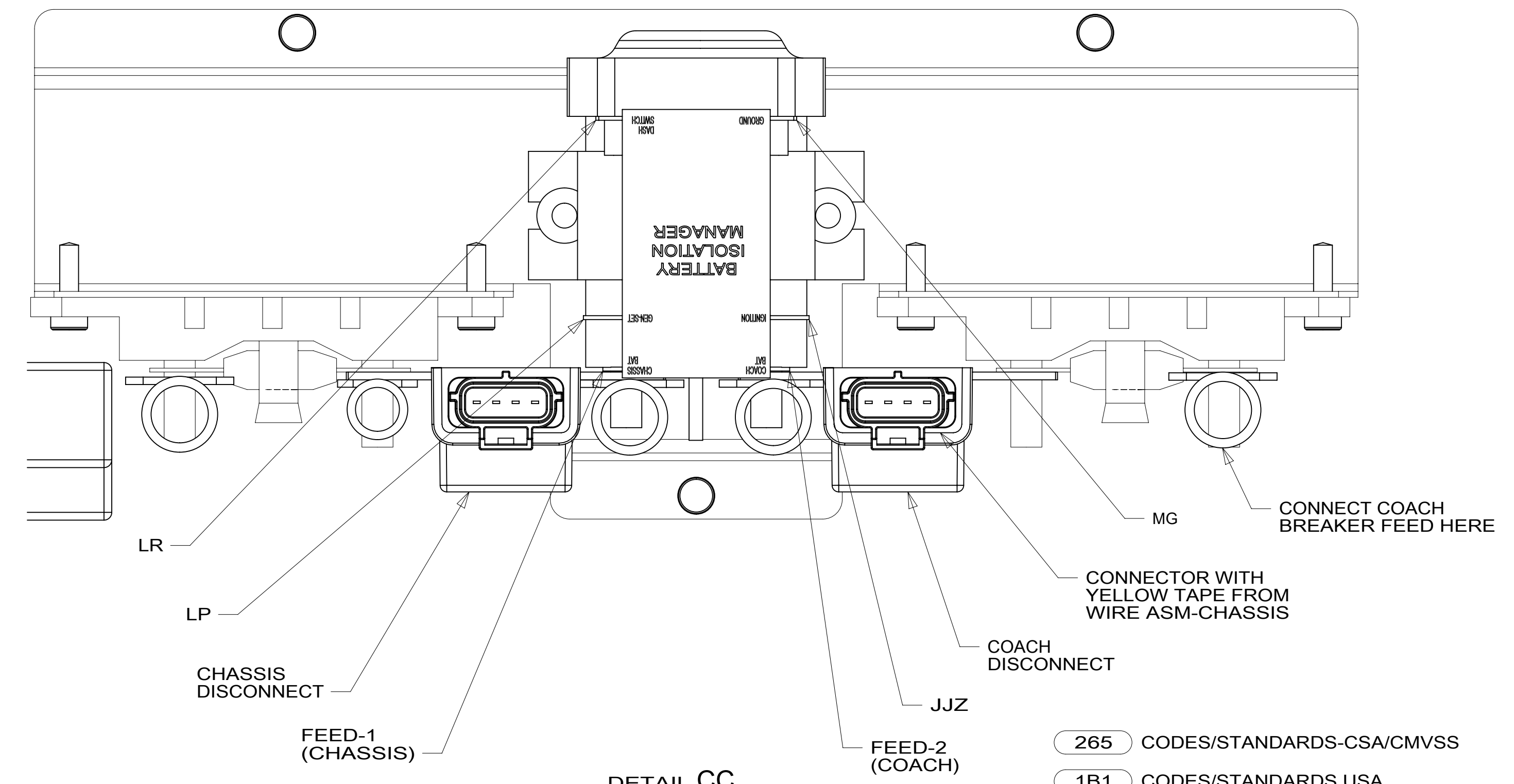
DETAIL CA



VIEW CB



DETAIL CA (BACK VIEW-COMPONENTS)



DETAIL CC

1 CIRCUIT BREAKER-30 AMP 93655-02-000 (3)
SCREW G52-06-05U (3)
SPACER-CIRCUIT BREAKER 141789-01-000 (3)

LABEL-CIRCUIT BREAKER 93236-77-000

PLUG-PLASTIC 81211-06-000 (7)

CIRCUIT BREAKER-55 AMP 113482-01-000 (2)

CIRCUIT BREAKER-30 AMP 93655-02-000
SCREW G52-06-05U
SPACER-CIRCUIT BREAKER 141789-01-000

CIRCUIT BREAKER-15 AMP 93654-02-000 (2)
SCREW G52-06-05U
SPACER-CIRCUIT BREAKER 141789-01-000 (2)

BUSS BAR 141744-01-000

BUSS BAR 141744-02-000

WIRE ASM-BREAKERS 176775-03-009

1 REPLACE EXISTING SCREW TO PROPERLY ATTACH BREAKER TO BUSS BAR.

FOR ELECTRICAL TORQUE SPECIFICATIONS SEE DWG NO. 128783-01-000

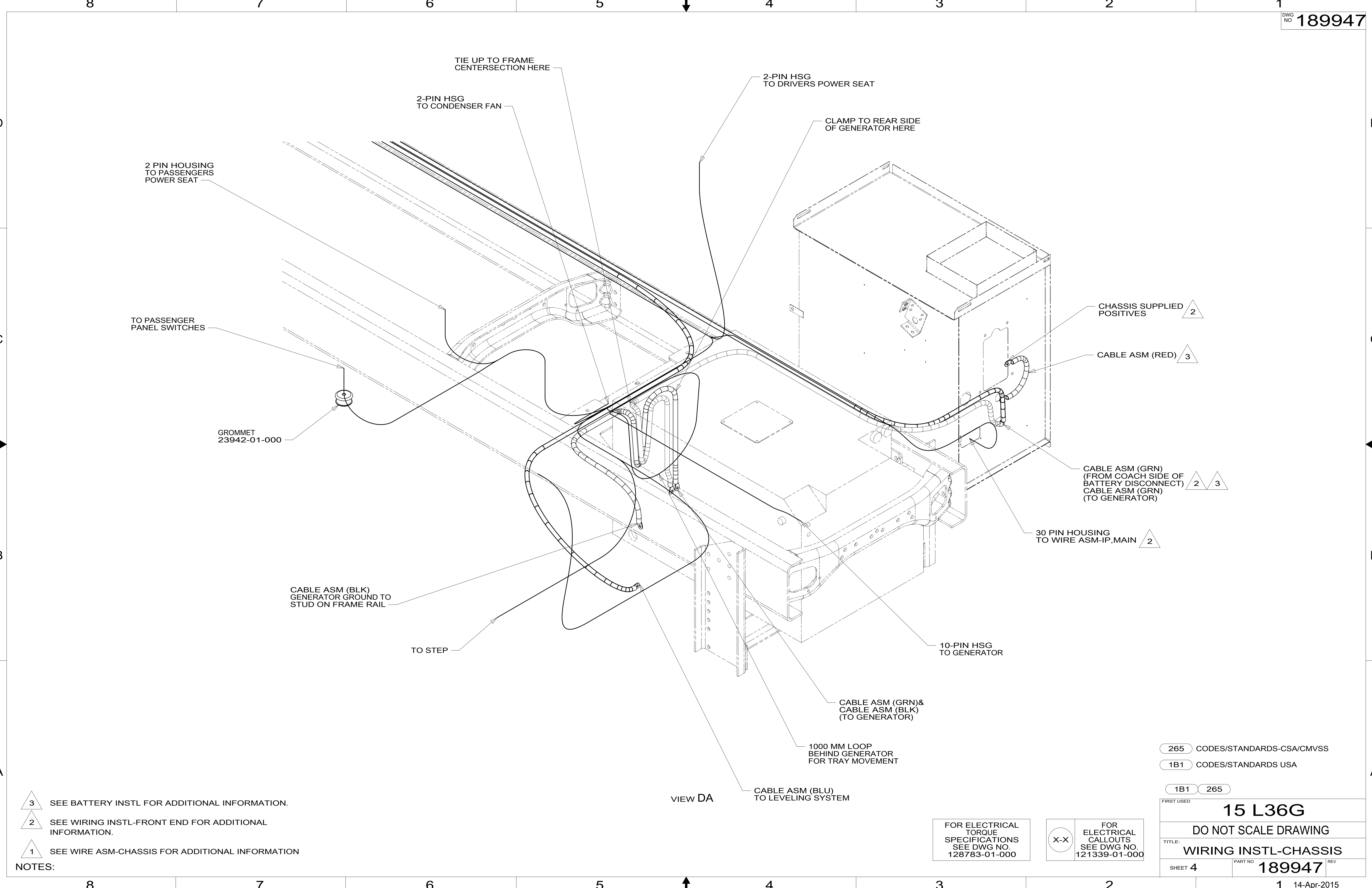
FOR ELECTRICAL CALLOUTS SEE DWG NO. 121339-01-000

265 CODES/STANDARDS-CSA/CMVSS
1B1 CODES/STANDARDS USA

1B1 265

FIRST USED	15 L36G	
TITLE:	DO NOT SCALE DRAWING	
SHEET 3	PART NO	189947
	REV	

* 189947



NOTES:

- 3 SEE BATTERY INSTL FOR ADDITIONAL INFORMATION.
- 2 SEE WIRING INSTL-FRONT END FOR ADDITIONAL INFORMATION.
- 1 SEE WIRE ASM-CHASSIS FOR ADDITIONAL INFORMATION

FOR ELECTRICAL TORQUE SPECIFICATIONS SEE DWG NO. 128783-01-000

FOR ELECTRICAL CALLOUTS SEE DWG NO. 121339-01-000

265	CODES/STANDARDS-CSA/CMVSS
1B1	CODES/STANDARDS USA
1B1	265
FIRST USED	
15 L36G	
DO NOT SCALE DRAWING	
TITLE: WIRING INSTL-CHASSIS	
SHEET 4	PART NO 189947 REV
1 14-Apr-2015	

* 189947 *