



DANGER

Danger of electrical shock, burns or death. Always remove all power sources before attempting any repair, service or diagnostic work. Power can be present from shore power, generator, inverter or battery. All power sources must be disabled and secured before performing any service.

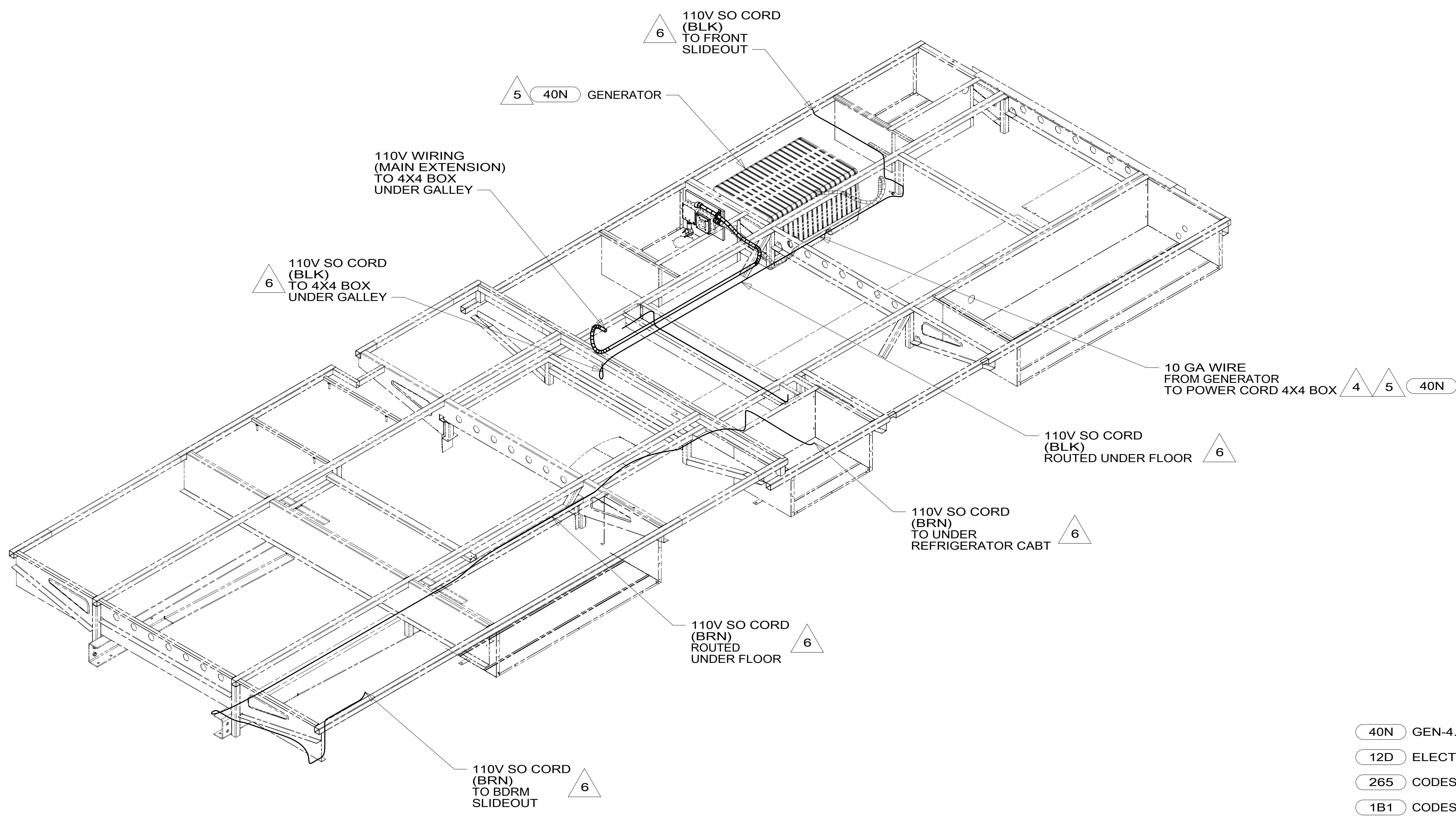


CAUTION

If you lack the skills, tools or equipment to perform diagnostic or repair work leave such work to an authorized Winnebago Industries dealer or other qualified shop.

DRAWING NO.	FEATURE
189934-01	-----
189934-11	1B1 12D
189934-15	265 12D

RELEASE	REV/DATE	DWG NO	189934
REV ZONE	REVISION RECORD	DATE	DFT-ORIG



- 40N GEN-4.0KW-ONAN-GAS-MICROLITE
- 12D ELECTRICAL SYSTEM 30 AMP
- 265 CODES/STANDARDS-CSA-CMVSS
- 1B1 CODES/STANDARDS USA

1B1 265 12D



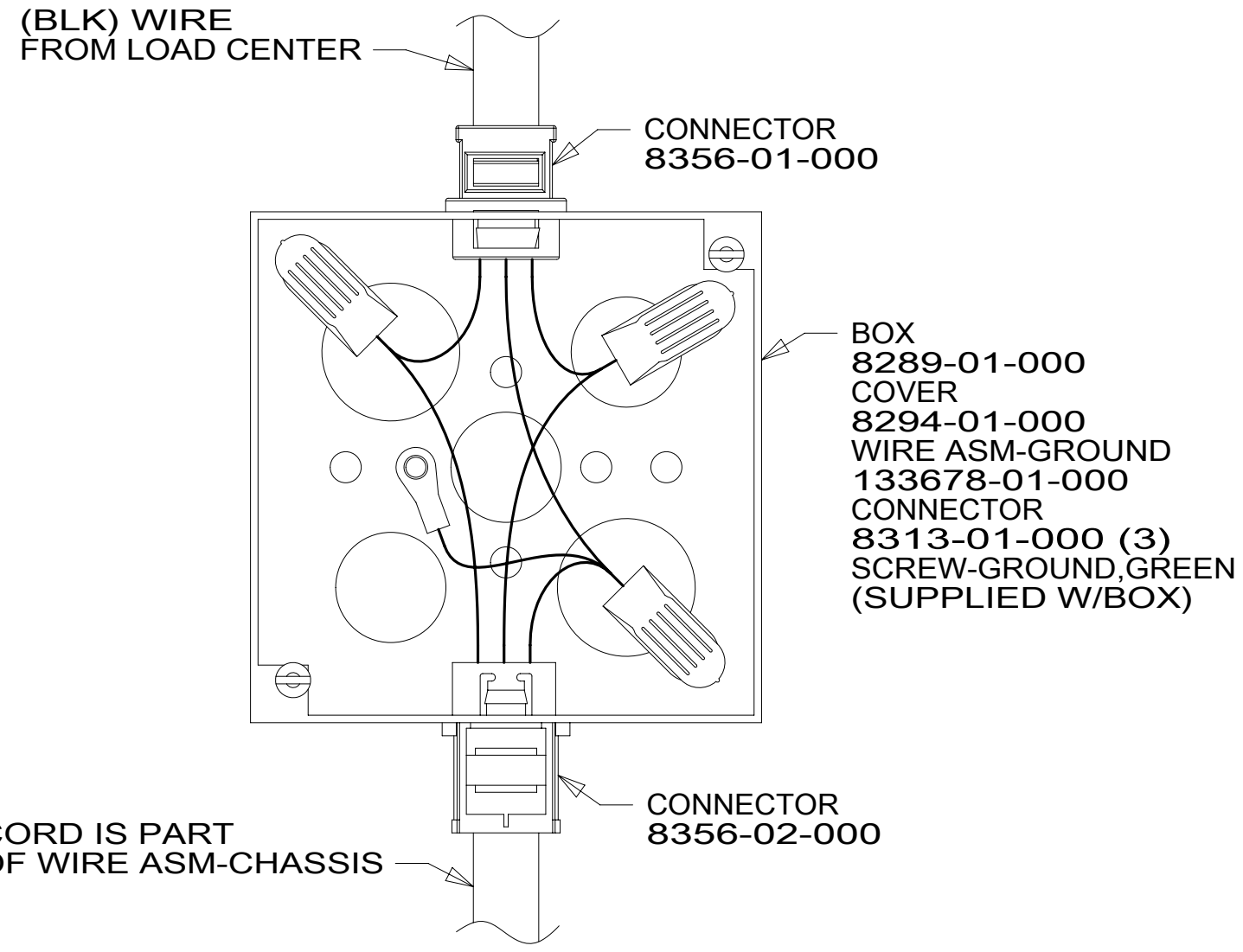
DFT-ORIG	ORIG. DATE
CHKR	ALL DIMENSIONS ARE IN MILLIMETERS
P.E.	FIRST USED
M.E.	15 331H
DSNR	MATERIAL:
UNSPECIFIED TOLERANCES ARE:	
WHOLE DIM (X)	: 3
ONE-PLACE (X.X)	: 1.5
TWO-PLACE (X.XX)	: 0.50
ANGLE	: 1°
THIRD ANGLE PROJECTION	
DO NOT SCALE DRAWING	REFER TO ES0018 FOR FASTENER TIGHTENING GUIDELINES
TITLE: WIRING INSTL-BODY, 110V	
SHEET 1 OF 4	PART NO 189934

- NOTES:
1. AT MINIMUM ALL WIRES TO BE SUPPORTED AND SECURED PER CODE REQUIREMENTS. USE CLAMP 10495 OR 10497 OR WIRE TIE 8343 OR 108046 AND SCREW G67-XX-XXX OR G56-XX-XXX AS APPROPRIATE FOR INSTALLATION.
 2. ALL 110V WIRE ARE TO BE CLAMPED WITH CLAMP 10497-05-000 WITHIN 200MM OF OUTLET BOXES, USE SCREW G67-10-12B.
 3. ALL GROUND WIRES TO BE COVERED WITH TUBING 8041-02-000.

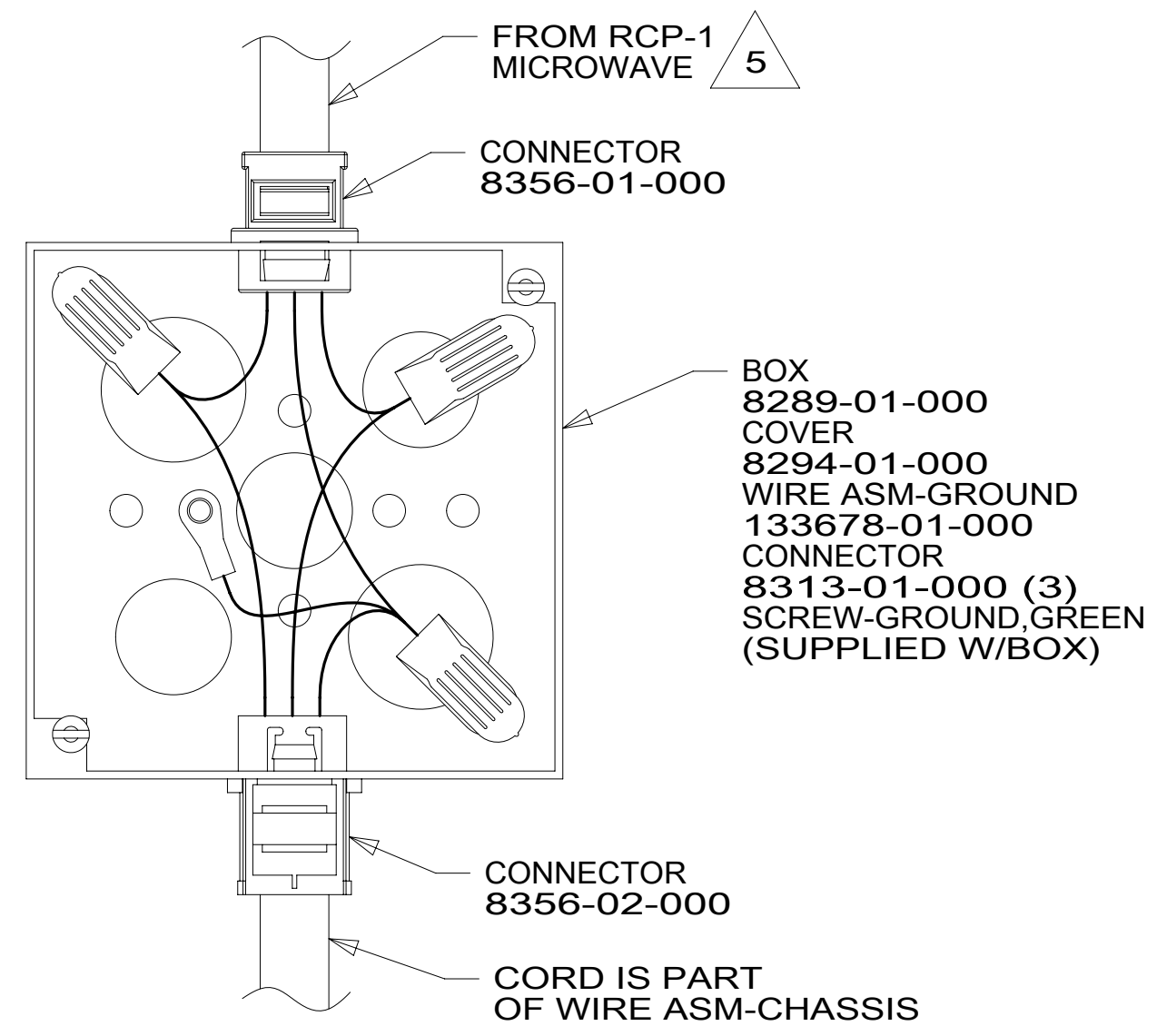
FOR ELECTRICAL TORQUE SPECIFICATIONS SEE DWG NO. 128783-01-000

FOR ELECTRICAL CALLOUTS SEE DWG NO. 121339-01-000

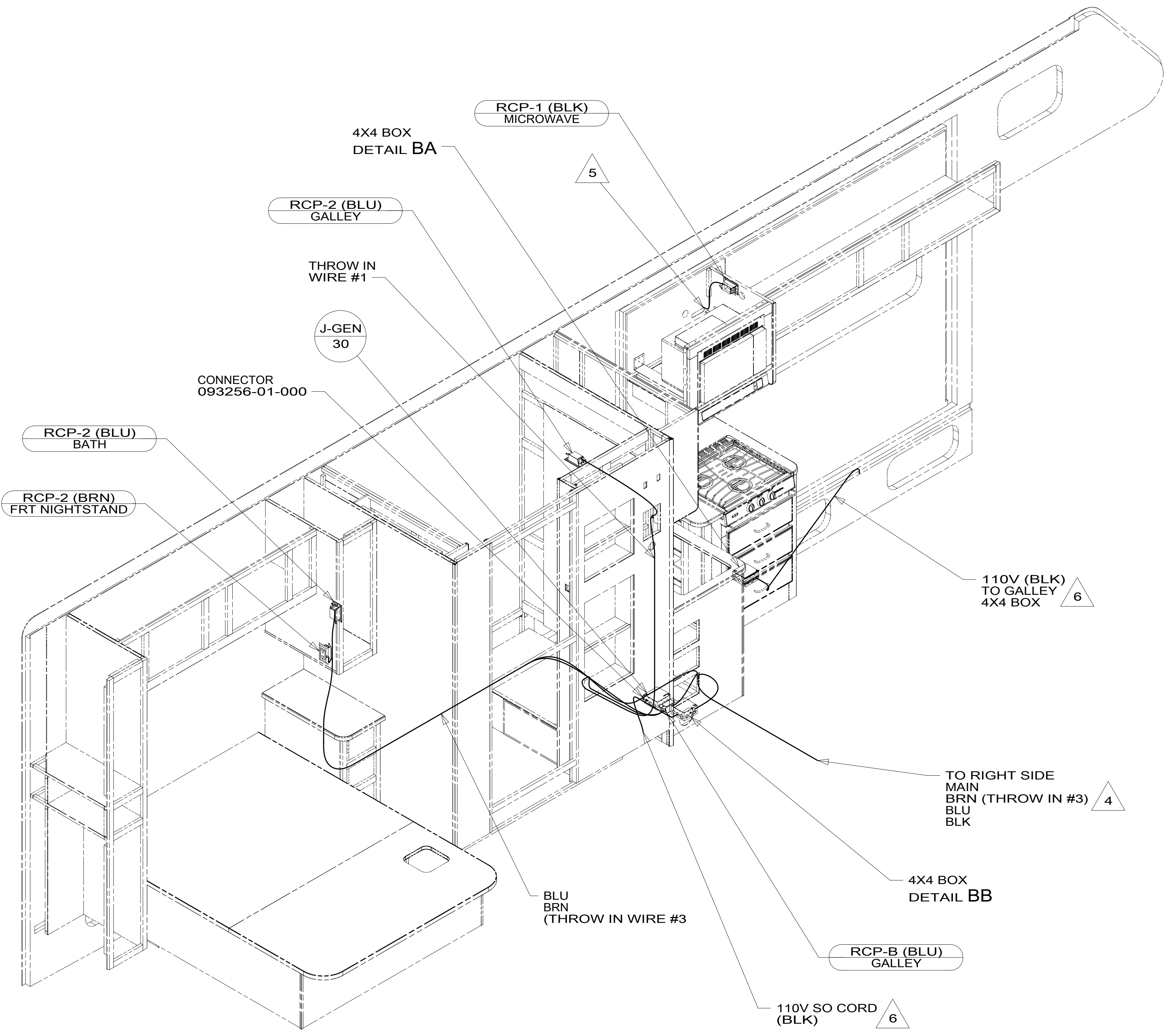
189934



DETAIL BB



DETAIL BA



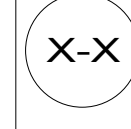
- NOTES:
- 6 PART OF WIRE ASM-CHASSIS.
 - 5 WIRE ROUTED IN SIDEWALL.
 - 4 WIRE ROUTED IN UNDER FLOOR TROUGH.
 - 3. ALL GROUND WIRES TO BE COVERED WITH TUBING 8041-02-000.
 - 2. ALL WIRING TO BE SECURED WITHIN 200MM OF OUTLET BOXES.
 - 1. AT MINIMUM ALL WIRES TO BE SUPPORTED AND SECURED PER CODE REQUIREMENTS. USE CLAMP 10495 OR 10497 OR WIRE TIE 8343 OR 108046 AND SCREW G67-XX-XXX OR G56-XX-XXX AS APPROPRIATE FOR INSTALLATION.

- 12D ELECTRICAL SYSTEM 30 AMP
- 265 CODES/STANDARDS-CSA/CMVSS
- 1B1 CODES/STANDARDS USA

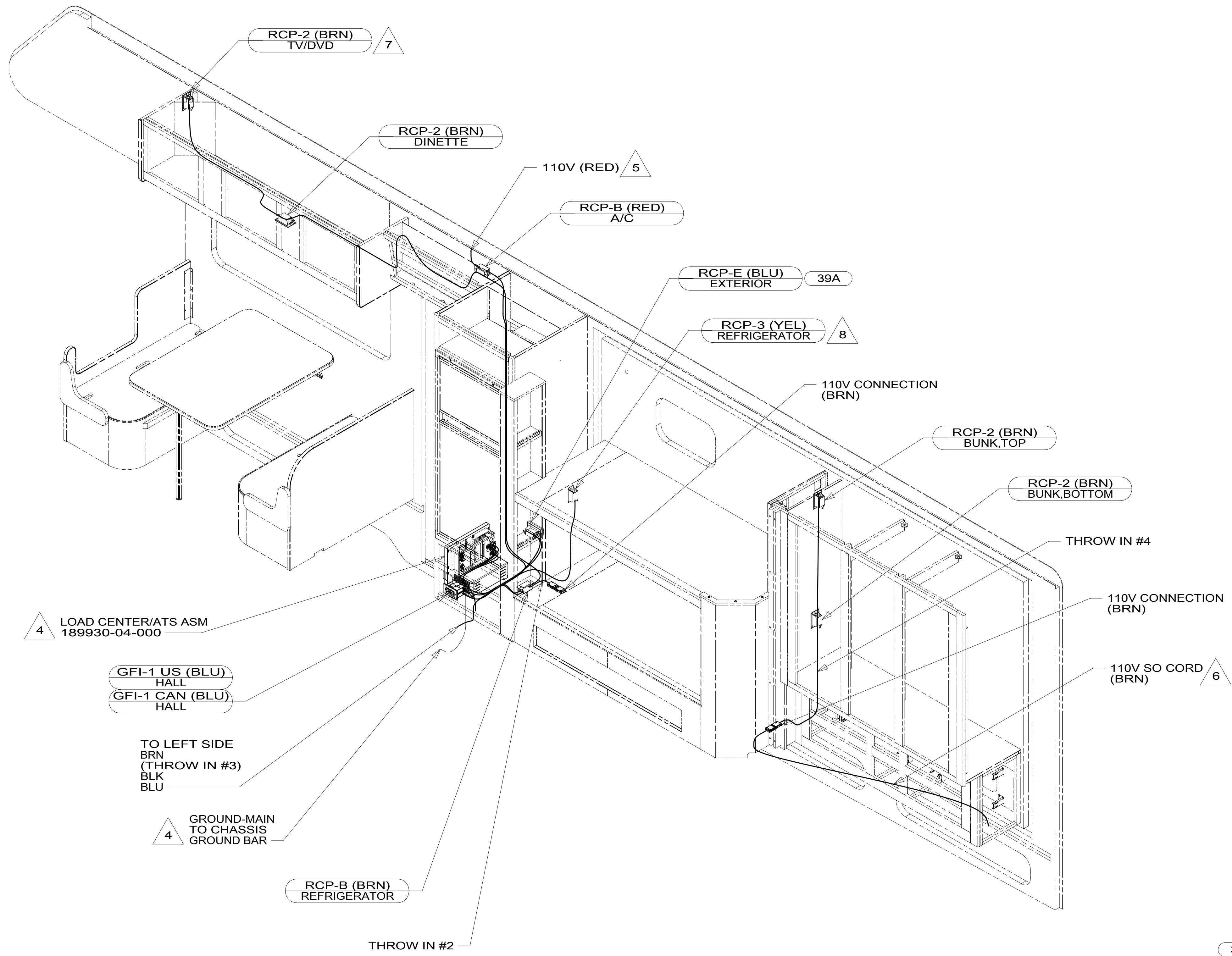
1B1	265	12D
FIRST USED		
15 331H		
DO NOT SCALE DRAWING		
TITLE: WIRING INSTL-BODY, 110V		
SHEET 2	PART NO 189934	REV

FOR ELECTRICAL TORQUE SPECIFICATIONS SEE DWG NO. 128783-01-000

FOR ELECTRICAL CALLOUTS SEE DWG NO. 121339-01-000



*189934 *A



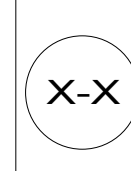
- NOTES:
- 8 LOCATE REFRIGERATOR RCP ON TIEDOWN BRACKET.
 - 7 SEE WIRING INSTL-TV/DVD FOR ADDITIONAL INFORMATION.
 - 6 PART OF WIRE ASM-CHASSIS.
 - 5 WIRE ROUTED IN ROOF.
 - 4 SEE LOAD CENTER/ATS ASM FOR ADDITIONAL INFORMATION.
 - 3. ALL GROUND WIRES TO BE COVERED WITH TUBING 8041-02-000.
 - 2. ALL WIRING TO BE SECURED WITHIN 200MM OF OUTLET BOXES.
 - 1. AT MINIMUM ALL WIRES TO BE SUPPORTED AND SECURED PER CODE REQUIREMENTS. USE CLAMP 10495 OR 10497 OR WIRE TIE 8343 OR 108046 AND SCREW G67-XX-XXX OR G56-XX-XXX AS APPROPRIATE FOR INSTALLATION.

- 39A EXT RECEPTACLE DPLX 120VAC
- 12D ELECTRICAL SYSTEM 30 AMP
- 265 CODES/STANDARDS-CSA/CMVSS
- 1B1 CODES/STANDARDS USA

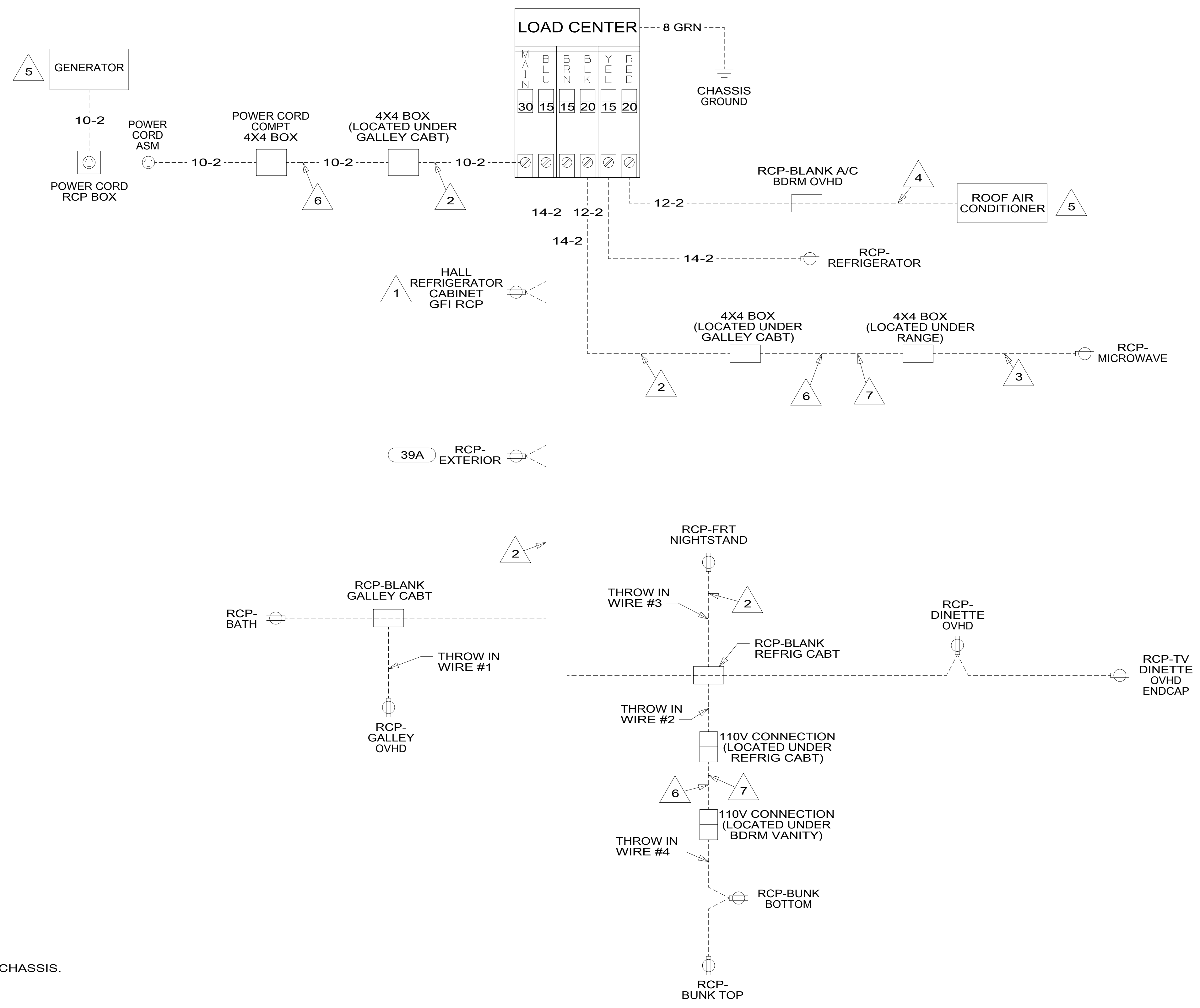
FIRST USED	
15 331H	
DO NOT SCALE DRAWING	
TITLE: WIRING INSTL-BODY, 110V	
SHEET 3	PART NO 189934 REV

FOR ELECTRICAL TORQUE SPECIFICATIONS SEE DWG NO. 128783-01-000

FOR ELECTRICAL CALLOUTS SEE DWG NO. 121339-01-000



*189934 *A



- NOTES:
- 7 FLEXIBLE CORD IS PART OF WIRE ASM-CHASSIS.
 - 6 WIRE ROUTED BELOW FLOOR.
 - 5 SEE MANUFACTURERS DIAGRAM.
 - 4 WIRE ROUTED THRU ROOF.
 - 3 WIRE ROUTED THRU SIDEWALL.
 - 2 WIRE ROUTED UNDER FLOOR IN WIRING TROUGH.
 - 1 ALL OUTLETS DOWN STREAM AND INCLUDING THIS OUTLET ARE GROUND FAULT CIRCUIT INTERRUPT PROTECTED.

- 39A EXT RECEPTACLE DPLX 120VAC
- 12D ELECTRICAL SYSTEM 30 AMP
- 265 CODES/STANDARDS-CSA/CMVSS
- 1B1 CODES/STANDARDS USA

FIRST USED	
15 331H	
DO NOT SCALE DRAWING	
TITLE: WIRING INSTL-BODY, 110V	
SHEET 4	PART NO 189934 REV

FOR ELECTRICAL TORQUE SPECIFICATIONS SEE DWG NO. 128783-01-000

FOR ELECTRICAL CALLOUTS SEE DWG NO. 121339-01-000

*189934 *A