



**DANGER**

**Danger of electrical shock, burns or death.** Always remove all power sources before attempting any repair, service or diagnostic work. Power can be present from shore power, generator, inverter or battery. All power sources must be disabled and secured before performing any service.



**CAUTION**

If you lack the skills, tools or equipment to perform diagnostic or repair work leave such work to an authorized Winnebago Industries dealer or other qualified shop.

| DRAWING NO. | MODEL  | SHEETS    |
|-------------|--------|-----------|
| 189930-01   | 331K/P | 1,2,3,4   |
| 189930-02   | 325B   | 1,2,5,6   |
| 189930-03   | 322R   | 1,2,5,6   |
| 189930-04   | 331H/P | 1,6,7,8   |
| 189930-05   | 327Q/P | 1,9,10,11 |

|                          |     | 331K/P                                  | 325B          | 322R                       | 331H/P                     | 327Q/P                     |
|--------------------------|-----|---|---------------|----------------------------|----------------------------|----------------------------|
| RED                      | 1B1 | 136135-07-054                           | 136135-07-041 | 136135-07-051              | 136135-07-033              | 136135-07-058              |
|                          | 265 | 136136-07-054                           | 136136-07-041 | 136136-07-051              | 136136-07-033              | 136136-07-058              |
| YEL                      | 1B1 | 136131-05-042                           | 136131-05-023 | 136131-05-027              | 136131-05-018              | 136131-05-040              |
|                          | 265 | 136134-05-042                           | 136134-05-023 | 136134-05-027              | 136134-05-018              | 136134-05-040              |
| BLK                      | 1B1 | 136135-06-060                           | 136135-06-041 | 136135-06-053              | 136135-06-030              | 136135-06-064              |
|                          | 265 | 136136-06-060                           | 136136-06-041 | 136136-06-053              | 136136-06-030              | 136136-06-064              |
| BRN                      | 1B1 | 136131-03-117                           | 136131-03-050 | 136131-03-057              | 136131-03-075              | 136131-03-072              |
|                          | 265 | 136134-03-117                           | 136134-03-050 | 136134-03-057              | 136134-03-075              | 136134-03-072              |
| BLU                      | 1B1 | 136131-02-130                           | 136131-02-055 | 136131-02-052              | 136131-02-089              | 136131-02-080              |
|                          | 265 | 136134-02-130                           | 136134-02-055 | 136134-02-052              | 136134-02-089              | 136134-02-080              |
| THROW IN WIRE #1         | 1B1 | 136131-02-057                           | 136131-02-035 | 136131-02-078              | 136131-02-035              | 136131-02-053              |
|                          | 265 | 136134-02-057                           | 136134-02-035 | 136134-02-078              | 136134-02-035              | 136134-02-053              |
| THROW IN WIRE #2         | 1B1 | 136131-03-062                           | 136131-02-035 | 136131-03-027              | 136131-03-006 <sup>4</sup> | 136131-03-095              |
|                          | 265 | 136134-03-062                           | 136134-02-035 | 136134-03-027              | 136134-03-006 <sup>4</sup> | 136134-03-095              |
| THROW IN WIRE #3         | 1B1 | 136131-03-015 <sup>5</sup> <sup>7</sup> | 136131-02-042 | 136131-03-035 <sup>6</sup> | 136131-03-055              |                            |
|                          | 265 | 136134-03-015 <sup>5</sup> <sup>7</sup> | 136134-02-042 | 136134-03-035 <sup>6</sup> | 136134-03-055              |                            |
| THROW IN WIRE #4         | 1B1 | 136131-03-003 <sup>4</sup>              | 136131-03-027 | 136131-03-015 <sup>7</sup> | 136131-03-026 <sup>4</sup> | 136131-03-003 <sup>4</sup> |
|                          | 265 | 136134-03-003 <sup>4</sup>              | 136134-03-027 | 136134-03-015 <sup>7</sup> | 136134-03-026 <sup>4</sup> | 136134-03-003 <sup>4</sup> |
| THROW IN WIRE #5         | 1B1 | 136131-03-004 <sup>4</sup>              | 136131-03-037 |                            |                            | 136131-03-006 <sup>4</sup> |
|                          | 265 | 136134-03-004 <sup>4</sup>              | 136134-03-037 |                            |                            | 136134-03-006 <sup>4</sup> |
| MAIN EXTENSION CABLE ASM | 1B1 | 164957-13-050                           | 164957-13-036 | 164957-15-044              | 164957-09-026              | 164957-15-031              |
|                          | 265 | 164957-14-050                           | 164957-14-036 | 164957-16-044              | 164957-10-026              | 164957-16-031              |
| GROUND MAIN              |     | 136145-02-018                           | 136145-06-018 | 136145-06-016              | 136145-02-012              | 136145-06-017              |
| MAIN                     | 1B1 |   |               |                            | 136137-01-026              |                            |
|                          | 265 |   |               |                            | 136138-01-026              |                            |
| GENERATOR CABLE ASM      | 1B1 |   |               |                            |                            | 164957-13-067              |
|                          | 265 |   |               |                            |                            | 164957-14-067              |

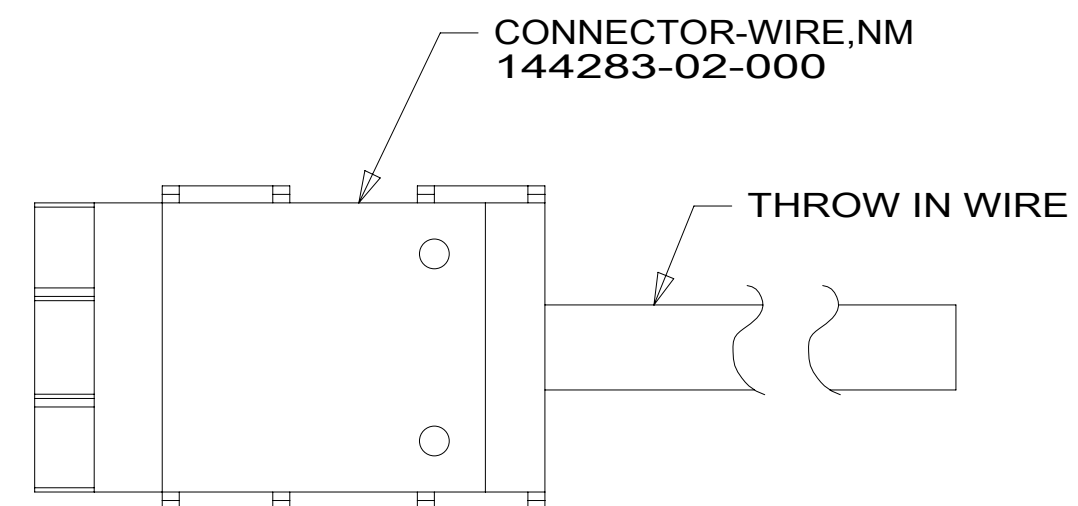
- <sup>075</sup> CONVENIENCE & APPEARANCE PKG
- <sup>644</sup> GREAT ALASKAN RENTAL PACKAGE
- <sup>68C</sup> TV-39" COLOR,STEREO W/REMOTE
- <sup>19A</sup> TV-32" COLOR,STEREO W/REMOTE
- <sup>265</sup> CODES/STANDARDS-CSA/CMVSS
- <sup>1B1</sup> CODES/STANDARDS USA

<sup>1B1</sup> <sup>265</sup>



|                                   |  |
|-----------------------------------|--|
| DFT-ORIG                          | ORIG. DATE   |
| CHKR                              | ALL DIMENSIONS ARE IN MILLIMETERS                  |
| P.E.                              |  |
| M.E.                              | FIRST USED   |
| DSNR                              | 15 300-SERIES                                      |
| UNSPECIFIED TOLERANCES ARE:       |  |
| WHOLE DIM (X)                     | : 3  |
| ONE-PLACE (X.X)                   | : 1.5  |
| TWO-PLACE (X.XX)                  | : 0.50   |
| ANGLE                             | : 1°   |
| THIRD ANGLE PROJECTION            |  |
| DO NOT SCALE DRAWING              | REFER TO ES0018 FOR FASTENER TIGHTENING GUIDELINES |
| TITLE: <b>LOAD CENTER/ATS ASM</b> |  |
| SHEET 1 OF 11                     | PART NO 189930 REV                                 |

- <sup>7</sup> USED WITH <sup>644</sup>
  - <sup>6</sup> NOT USED WITH <sup>644</sup>
  - <sup>5</sup> USED WITH <sup>19A</sup> OR <sup>68C</sup> OR <sup>075</sup> OR <sup>68D</sup>
  - <sup>4</sup> SEE DETAIL AA FOR CONNECTOR INSTALLATION.
3. SEE WIRING INSTL-BODY,12V FOR ADDITIONAL INFORMATION.
  2. SECURE WIRES TO BACKSIDE OF LOAD CENTER WITH WIRE TIE 116673-01-000.
  1. ALL GROUND WIRES TO BE COVERED WITH TUBING 8041-02-000.

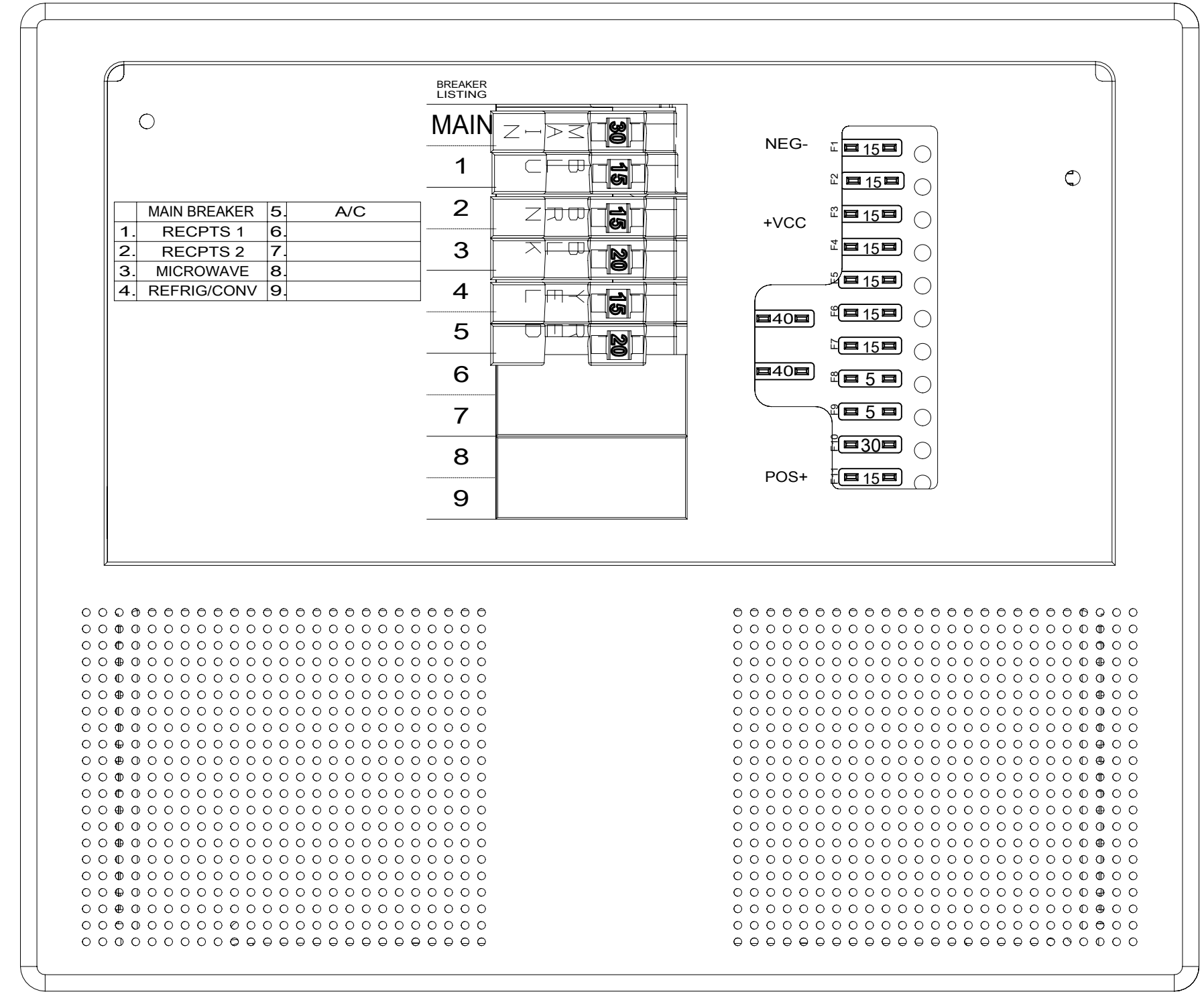
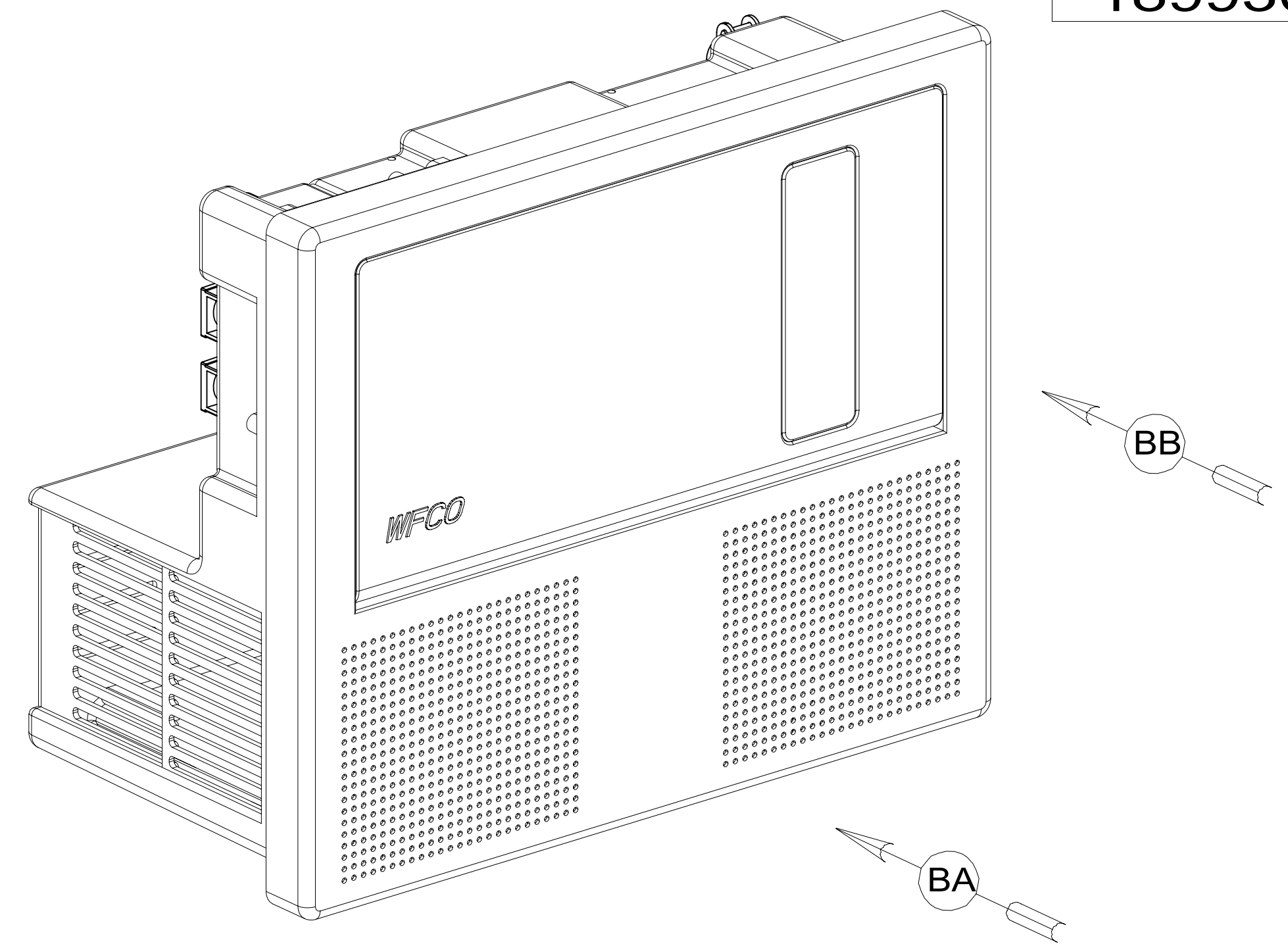
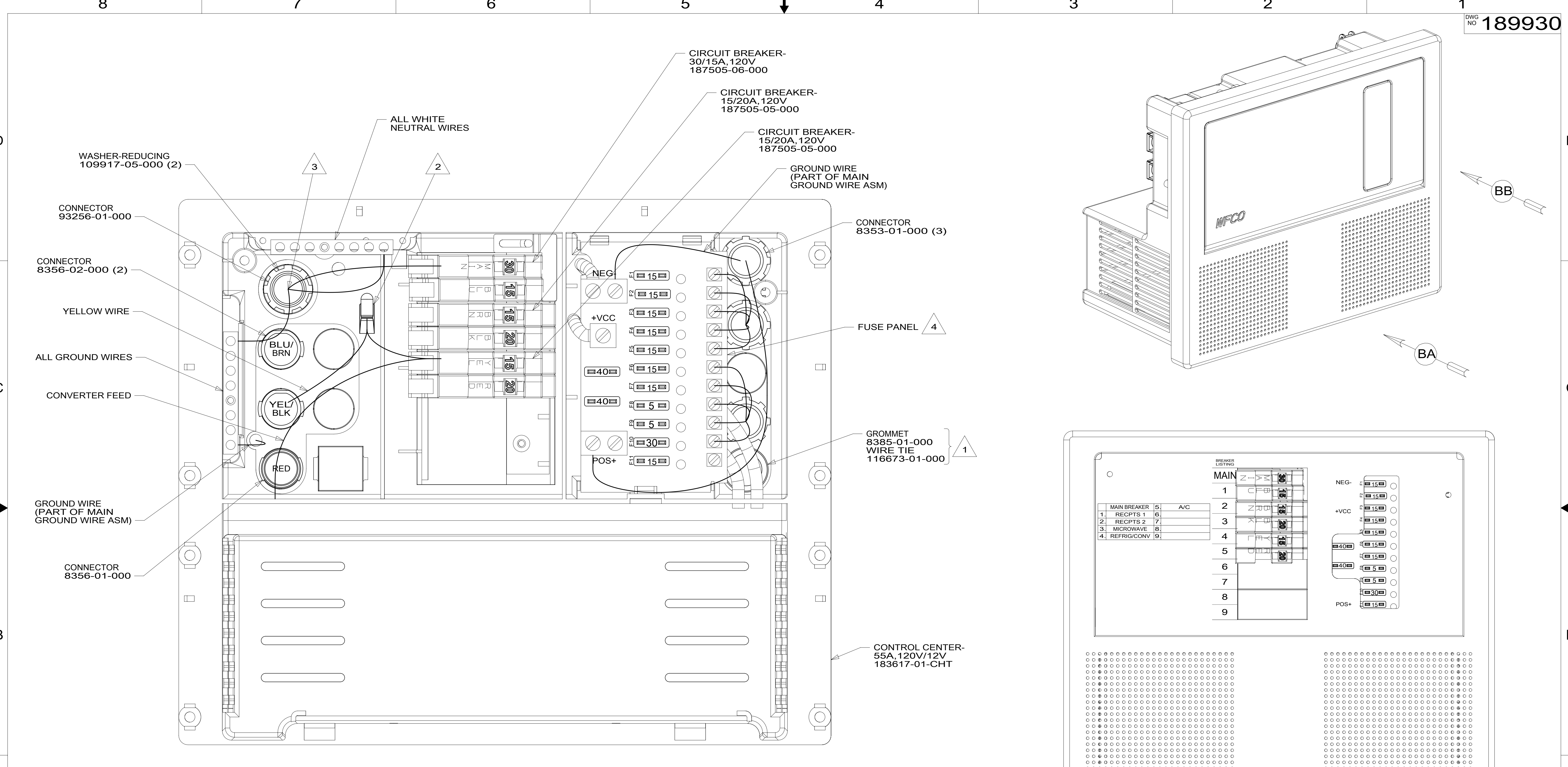


DETAIL AA

FOR ELECTRICAL TORQUE SPECIFICATIONS SEE DWG NO. 128783-01-000

FOR ELECTRICAL CALLOUTS SEE DWG NO. 121339-01-000

\*189930\*



VIEW BA  
(COVER REMOVED)

VIEW BB  
(DOOR REMOVED)

- NOTES:
- 4 SEE TAB BLOCK FOR MODEL SPECIFIC SHEETS.
  - 3 110V MAIN TO BE INSTALLED ON LINE.
  - 2 CONNECT CONVERTER POWER CIRCUIT INTO YELLOW BREAKER USE SUPPLIED WIRE NUT TO CONNECT TO YELLOW CIRCUIT WIRE.
  - 1 INSERT GROMMET FROM THE INSIDE OF CONTROL CENTER. SECURE 110V WIRES TO BACKSIDE OF CONTROL CENTER WITH WIRE TIE.

FOR ELECTRICAL TORQUE SPECIFICATIONS SEE DWG NO. 128783-01-000

FOR ELECTRICAL CALLOUTS SEE DWG NO. 121339-01-000

265 CODES/STANDARDS-CSA/CMVSS  
1B1 CODES/STANDARDS USA

1B1 265

**15 300-SERIES**

DO NOT SCALE DRAWING

TITLE: **LOAD CENTER/ATS ASM**

SHEET 2 PART NO **189930** REV

8

7

6

5

4

3

2

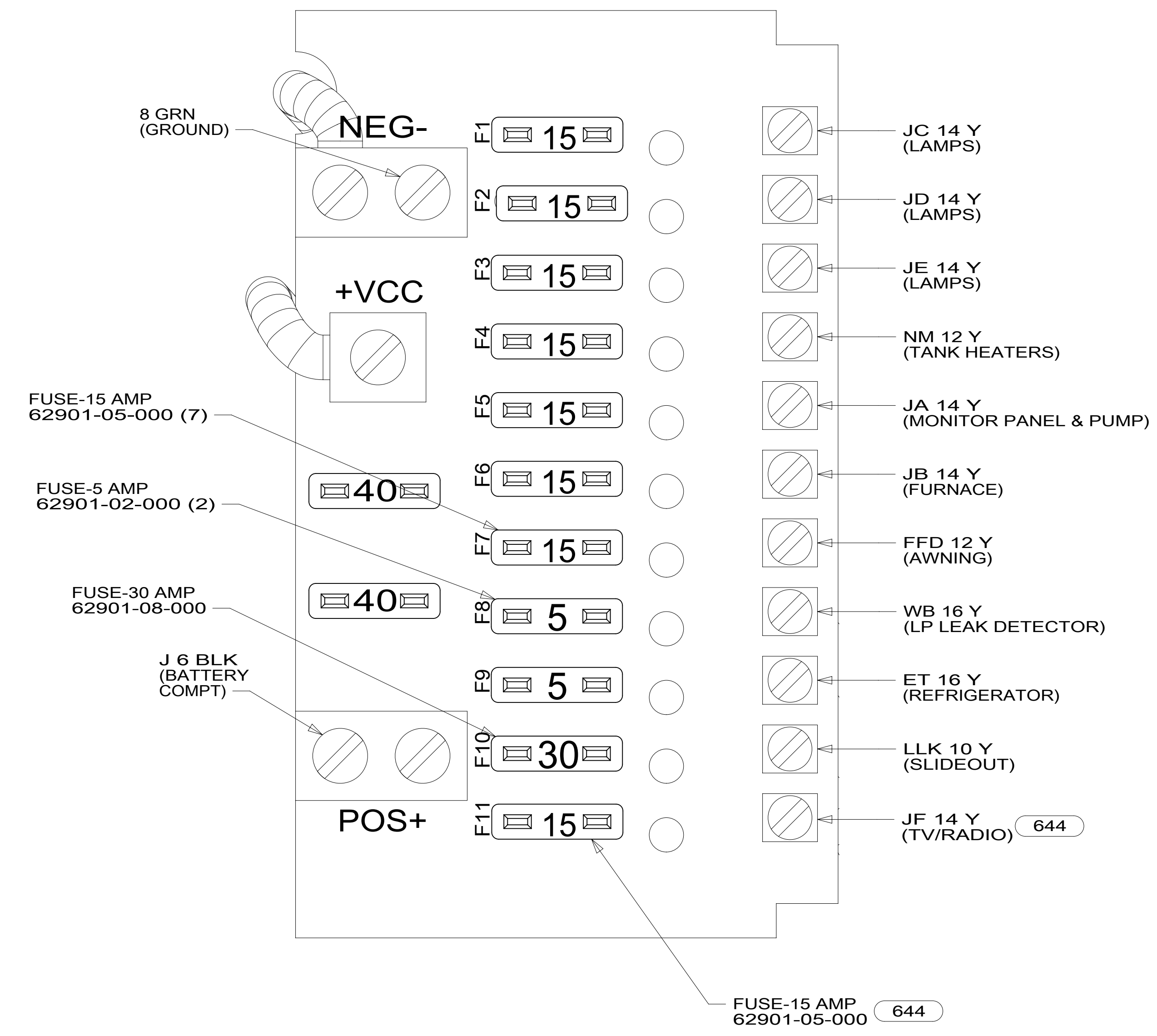
1

D

C

B

A



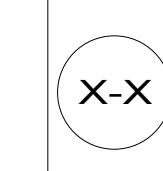
- (644) GREAT ALASKAN RENTAL PACKAGE
- (265) CODES/STANDARDS-CSA/CMVSS
- (1B1) CODES/STANDARDS USA

(1B1) (265)

|                                   |                       |     |
|-----------------------------------|-----------------------|-----|
| FIRST USED                        |                       |     |
| <b>15 300-SERIES</b>              |                       |     |
| DO NOT SCALE DRAWING              |                       |     |
| TITLE: <b>LOAD CENTER/ATS ASM</b> |                       |     |
| SHEET 3                           | PART NO <b>189930</b> | REV |

FOR ELECTRICAL TORQUE SPECIFICATIONS SEE DWG NO. 128783-01-000

FOR ELECTRICAL CALLOUTS SEE DWG NO. 121339-01-000



\* 189930

8

7

6

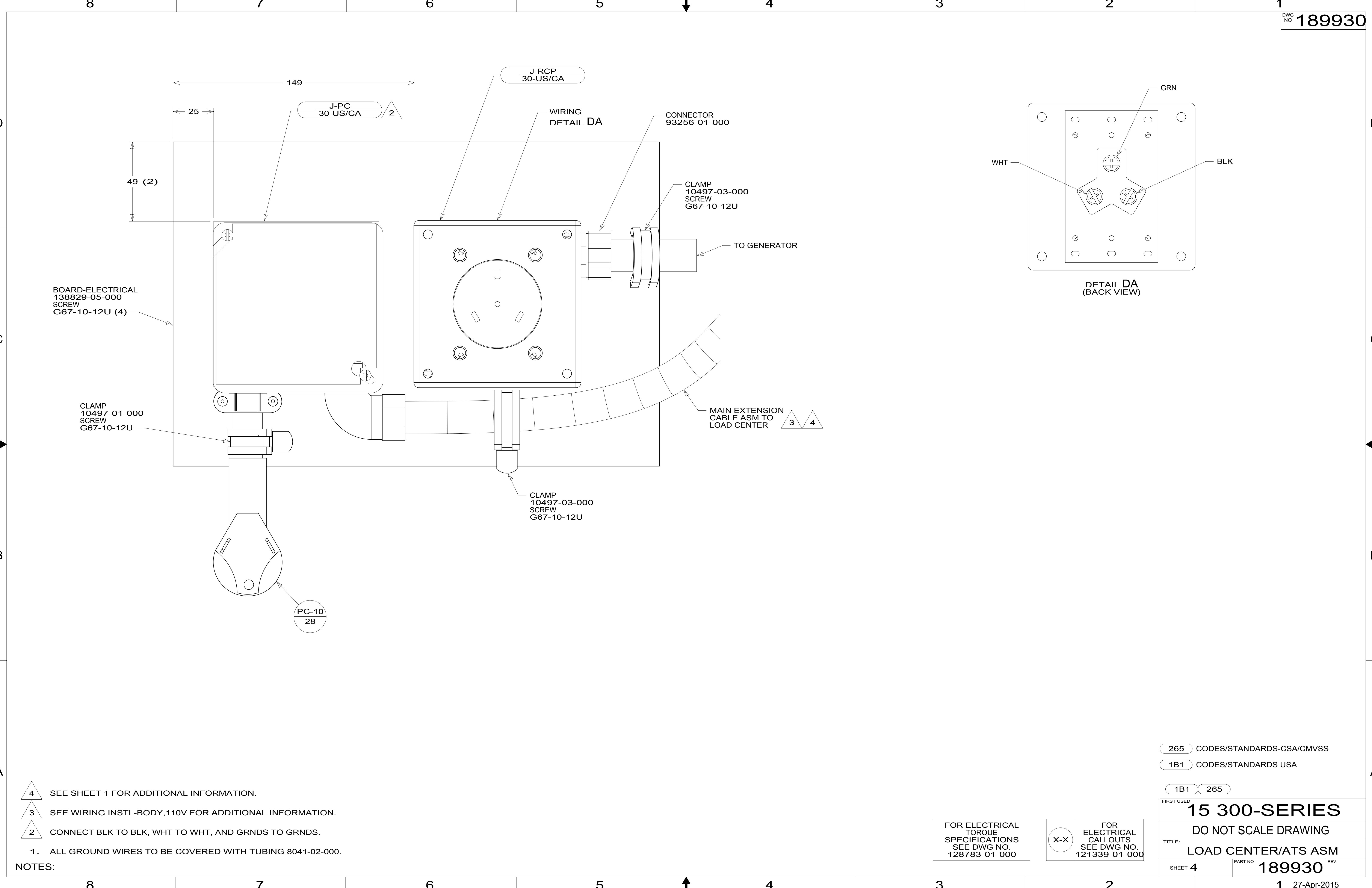
5

4

3

2

1 27-Apr-2015



- NOTES:
- 4 SEE SHEET 1 FOR ADDITIONAL INFORMATION.
  - 3 SEE WIRING INSTL-BODY, 110V FOR ADDITIONAL INFORMATION.
  - 2 CONNECT BLK TO BLK, WHT TO WHT, AND GRNDS TO GRNDS.
1. ALL GROUND WIRES TO BE COVERED WITH TUBING 8041-02-000.

265 CODES/STANDARDS-CSA/CMVSS  
 1B1 CODES/STANDARDS USA

|                            |                           |
|----------------------------|---------------------------|
| 1B1                        | 265                       |
| FIRST USED                 |                           |
| <b>15 300-SERIES</b>       |                           |
| DO NOT SCALE DRAWING       |                           |
| TITLE:                     |                           |
| <b>LOAD CENTER/ATS ASM</b> |                           |
| SHEET 4                    | PART NO <b>189930</b> REV |

FOR ELECTRICAL TORQUE SPECIFICATIONS SEE DWG NO. 128783-01-000

FOR ELECTRICAL CALLOUTS SEE DWG NO. 121339-01-000

\* 189930 \*

8

7

6

5

4

3

2

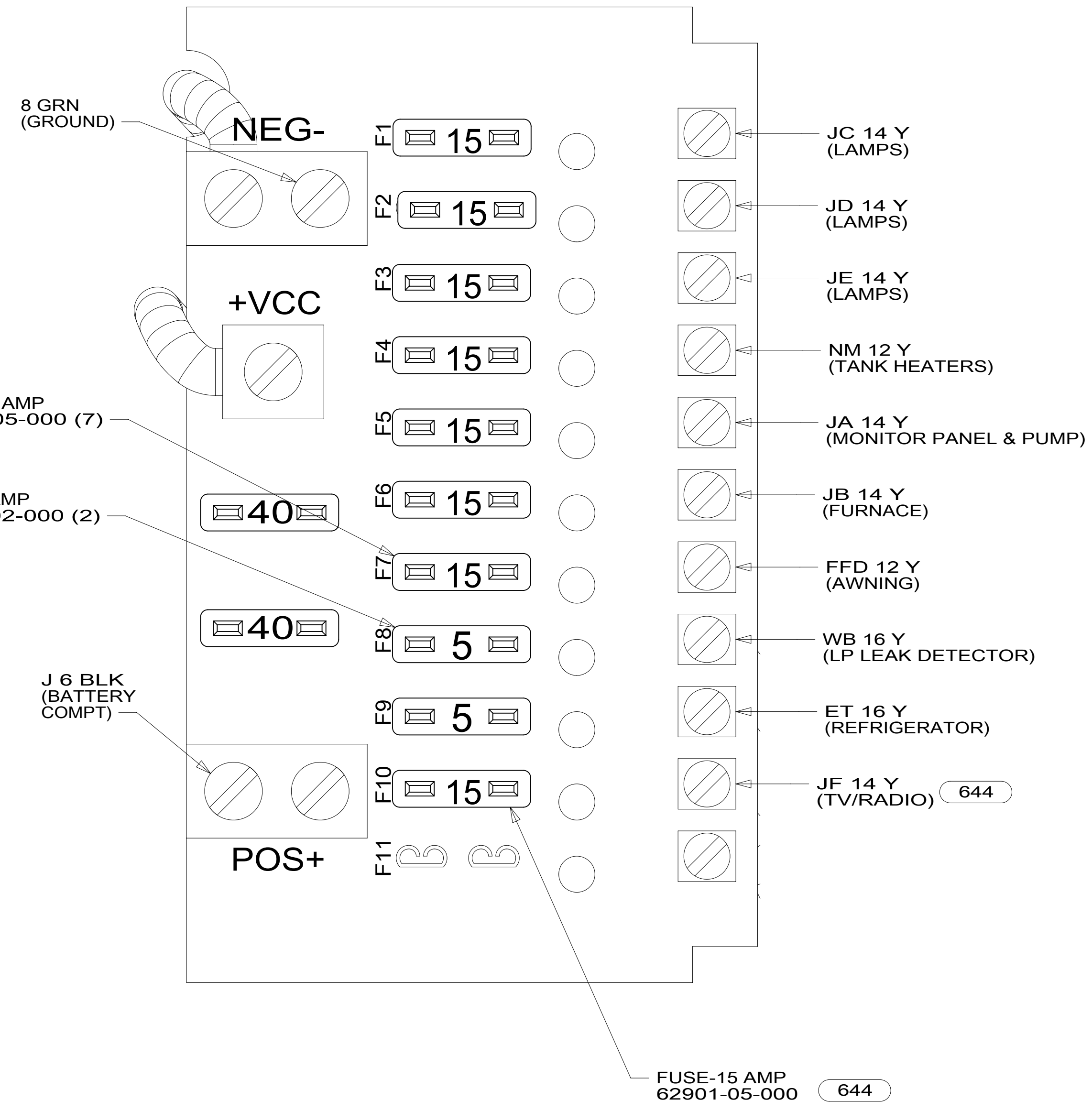
1

D

C

B

A



- 644 GREAT ALASKAN RENTAL PACKAGE
- 265 CODES/STANDARDS-CSA/CMVSS
- 1B1 CODES/STANDARDS USA

1B1 265

FIRST USED  
**15 300-SERIES**

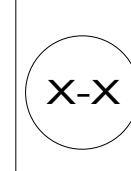
DO NOT SCALE DRAWING

TITLE:  
**LOAD CENTER/ATS ASM**

SHEET 5 PART NO **189930** REV

FOR ELECTRICAL TORQUE SPECIFICATIONS SEE DWG NO. 128783-01-000

FOR ELECTRICAL CALLOUTS SEE DWG NO. 121339-01-000



\* 189930

8

7

6

5

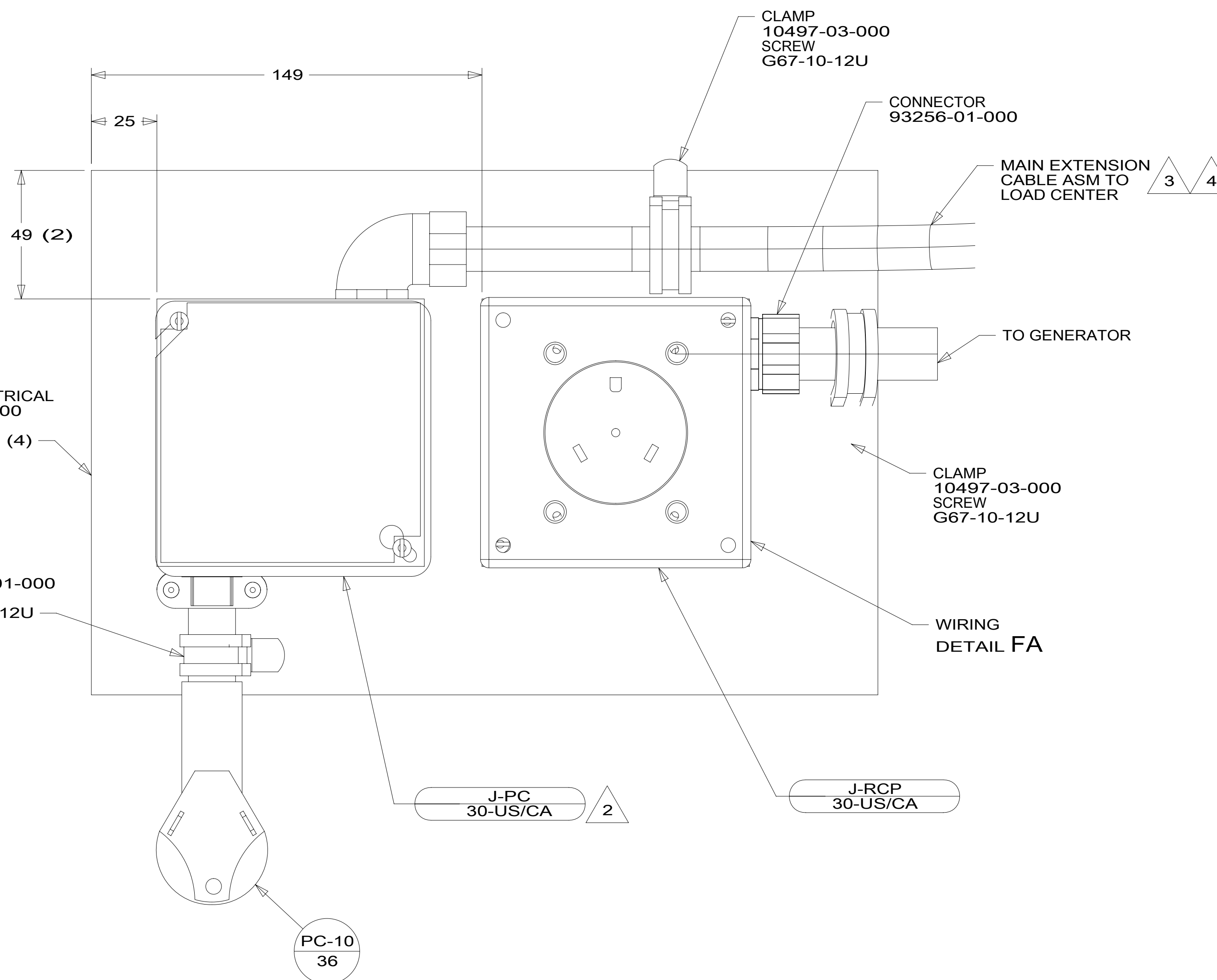
4

3

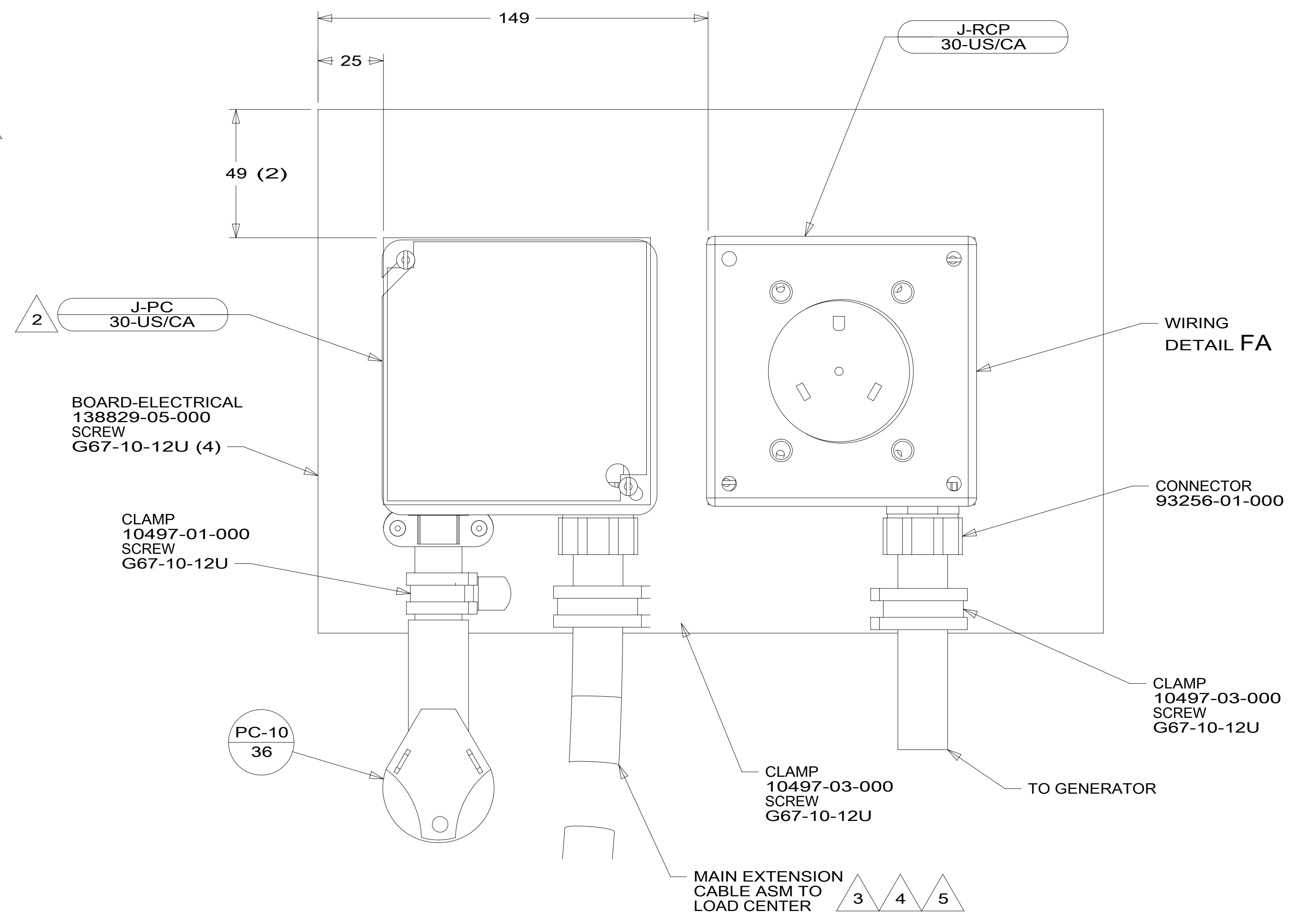
2

1

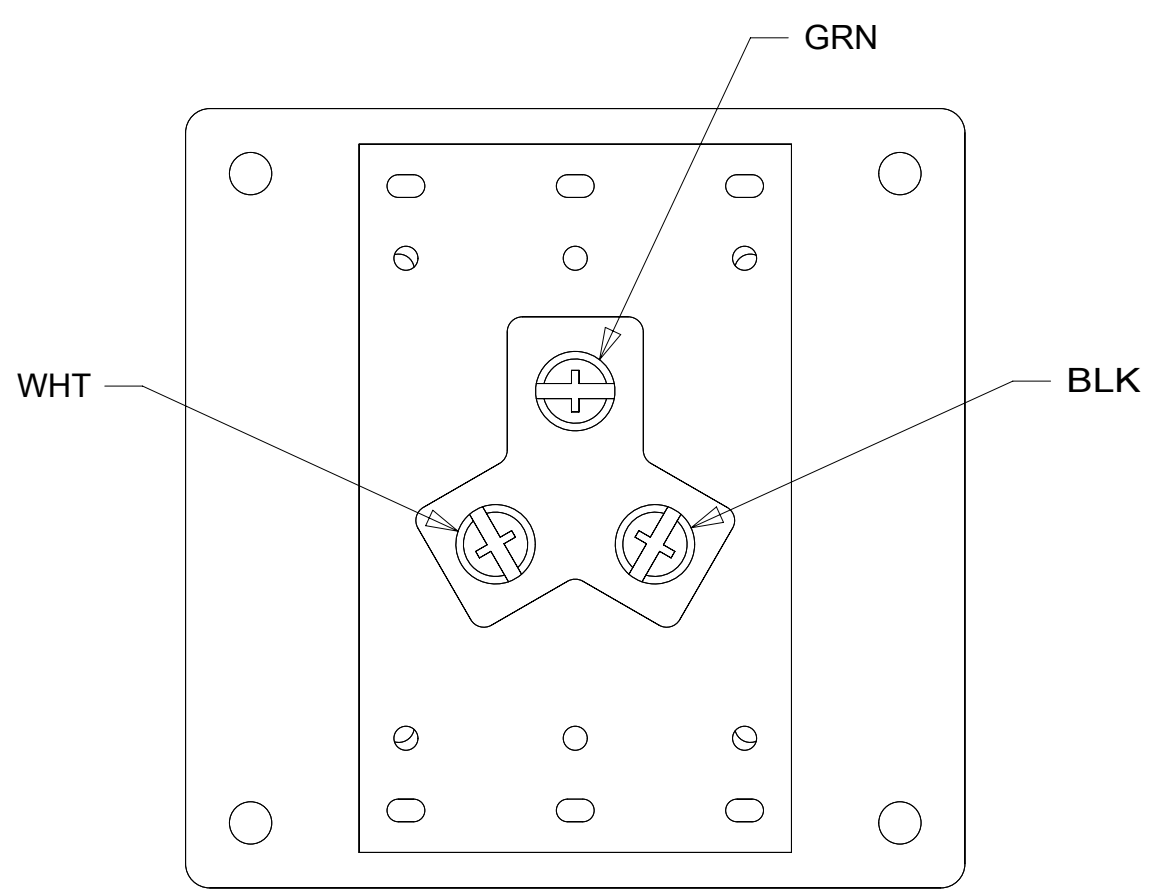
1 27-Apr-2015



325B & 331H/P



322R



DETAIL FA (BACK VIEW)

- 5 MAIN EXTENSION CABLE ASM TO BE INSTALLED ON LINE.
- 4 SEE SHEET 1 FOR ADDITIONAL INFORMATION.
- 3 SEE WIRING INSTL-BODY, 110V FOR ADDITIONAL INFORMATION.
- 2 CONNECT BLK TO BLK, WHT TO WHT, AND GRNDS TO GRNDS.

NOTES:  
1. ALL GROUND WIRES TO BE COVERED WITH TUBING 8041-02-000.

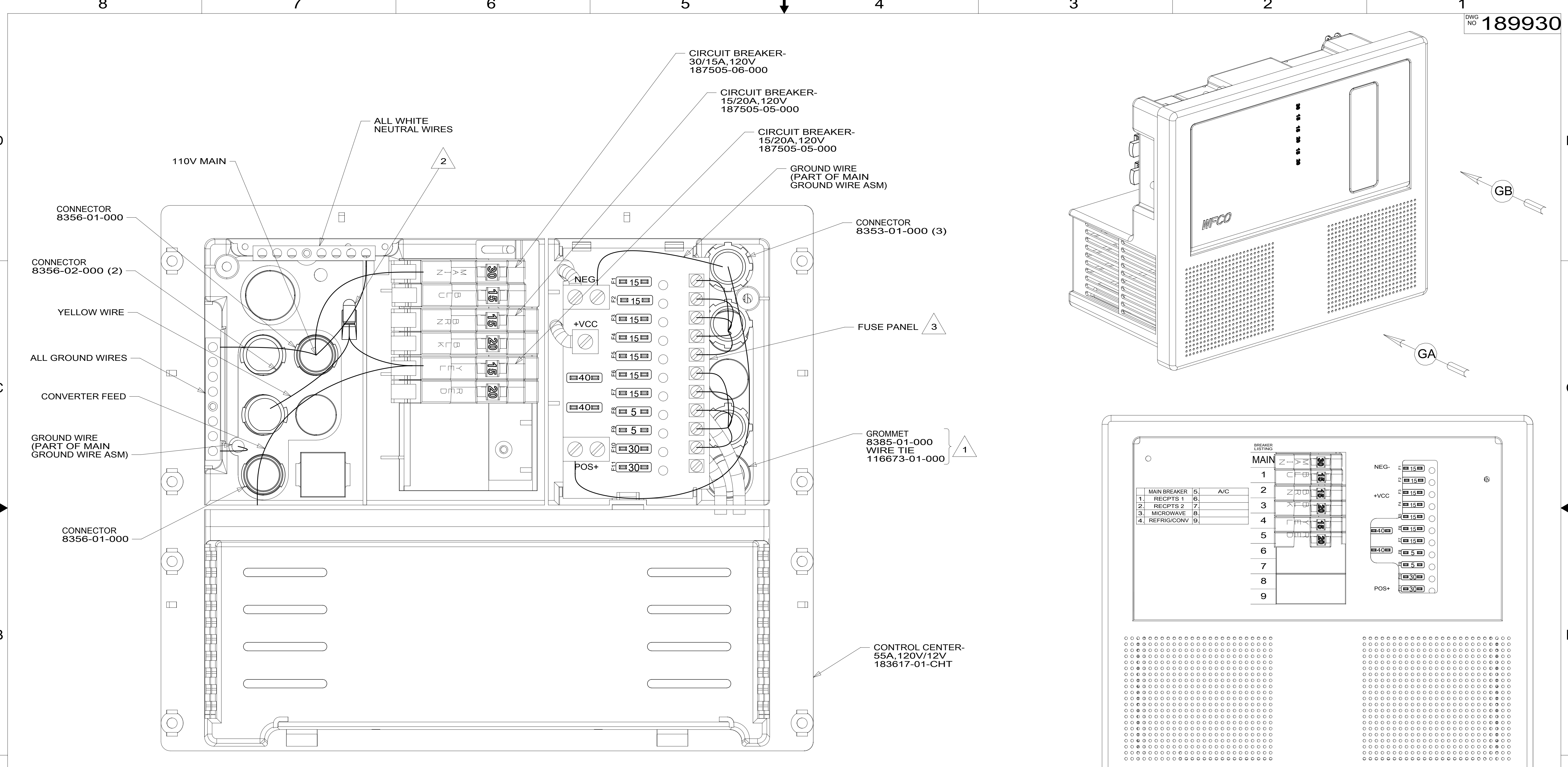
|     |                           |
|-----|---------------------------|
| 265 | CODES/STANDARDS-CSA/CMVSS |
| 1B1 | CODES/STANDARDS USA       |
| 1B1 | 265                       |

|                                   |                           |
|-----------------------------------|---------------------------|
| FIRST USED                        |                           |
| <b>15 300-SERIES</b>              |                           |
| DO NOT SCALE DRAWING              |                           |
| TITLE: <b>LOAD CENTER/ATS ASM</b> |                           |
| SHEET 6                           | PART NO <b>189930</b> REV |

FOR ELECTRICAL TORQUE SPECIFICATIONS SEE DWG NO. 128783-01-000

FOR ELECTRICAL CALLOUTS SEE DWG NO. 121339-01-000

\* 189930 A \*



- NOTES:**
- 3 SEE TAB BLOCK FOR MODEL SPECIFIC SHEETS.
  - 2 CONNECT CONVERTER POWER CIRCUIT INTO YELLOW BREAKER USE SUPPLIED WIRE NUT TO CONNECT TO YELLOW CIRCUIT WIRE.
  - 1 INSERT GROMMET FROM THE INSIDE OF CONTROL CENTER. SECURE 110V WIRES TO BACKSIDE OF CONTROL CENTER WITH WIRE TIE.

FOR ELECTRICAL TORQUE SPECIFICATIONS SEE DWG NO. 128783-01-000

FOR ELECTRICAL CALLOUTS SEE DWG NO. 121339-01-000

265 CODES/STANDARDS-CSA/CMVSS  
 1B1 CODES/STANDARDS USA  
 1B1 265

FIRST USED  
**15 300-SERIES**  
 DO NOT SCALE DRAWING  
 TITLE: **LOAD CENTER/ATS ASM**  
 SHEET 7 PART NO. **189930** REV

\* 189930 A \*

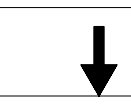


8

7

6

5



4

3

2

1

D

D

C

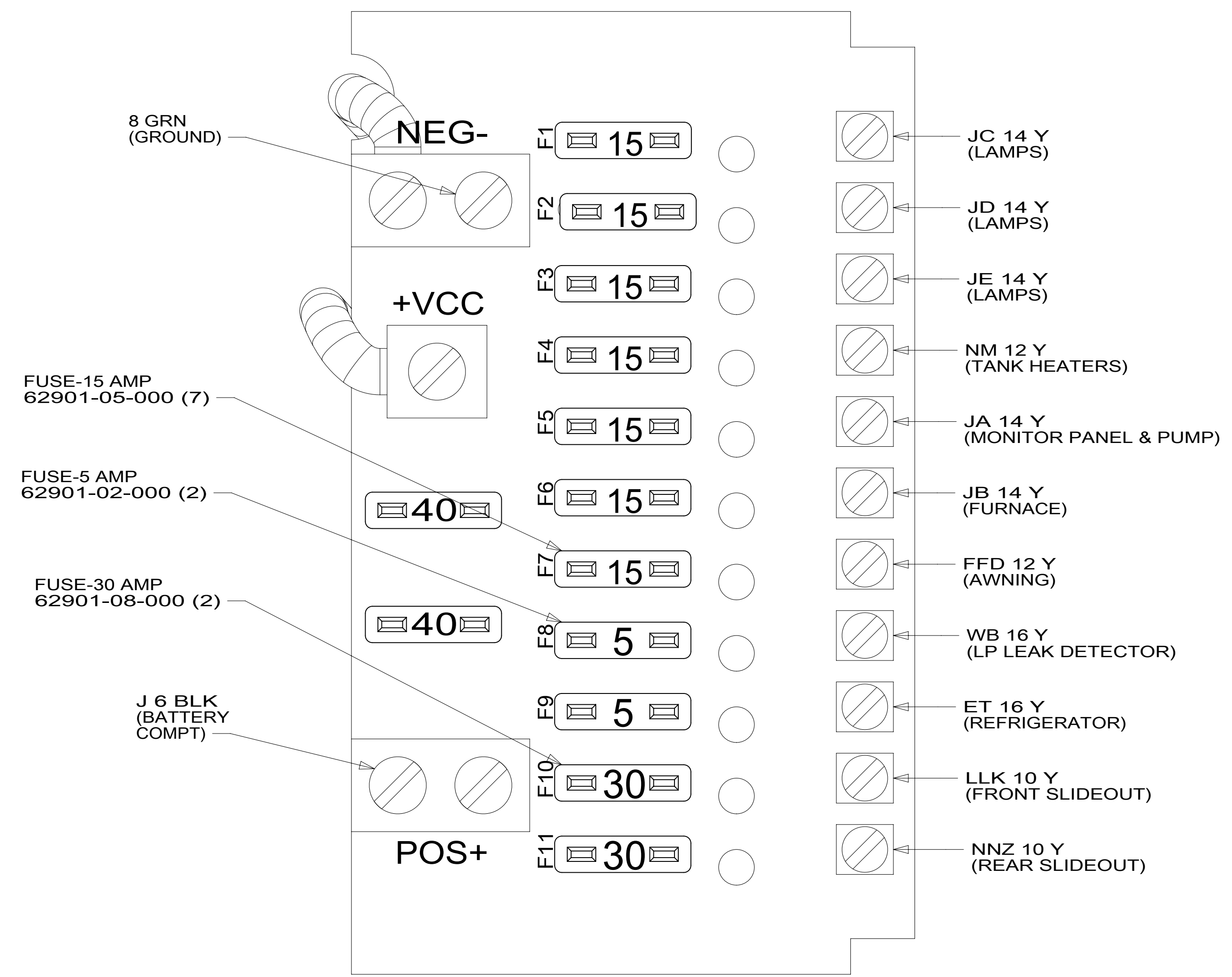
C

B

B

A

A



265 CODES/STANDARDS-CSA/CMVSS

1B1 CODES/STANDARDS USA

1B1 265

FIRST USED  
**15 300-SERIES**

DO NOT SCALE DRAWING

TITLE: **LOAD CENTER/ATS ASM**

SHEET 8 PART NO **189930** REV

FOR ELECTRICAL TORQUE SPECIFICATIONS SEE DWG NO. 128783-01-000

FOR ELECTRICAL CALLOUTS SEE DWG NO. 121339-01-000

\* 189930 A \*

8

7

6

5

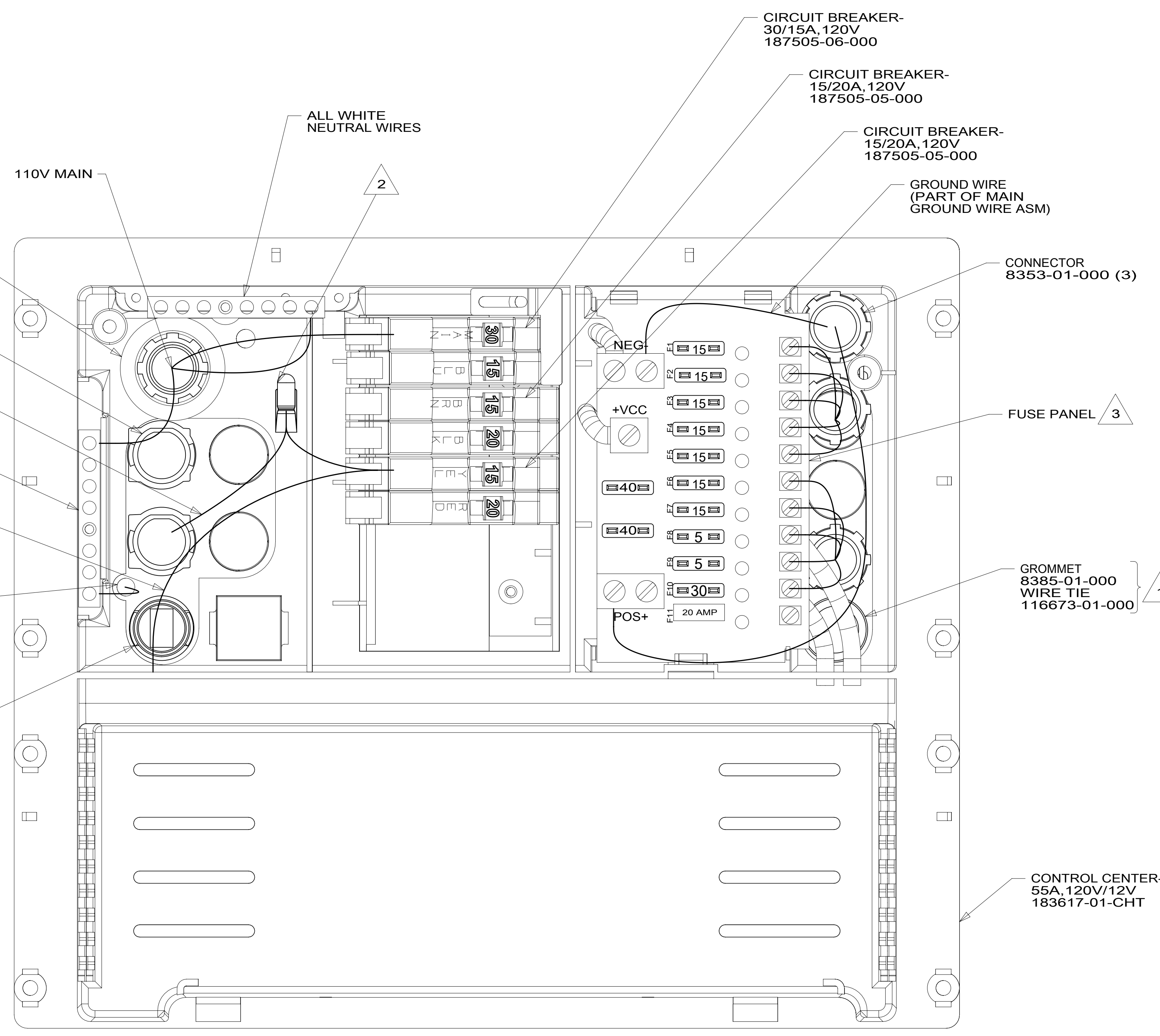


4

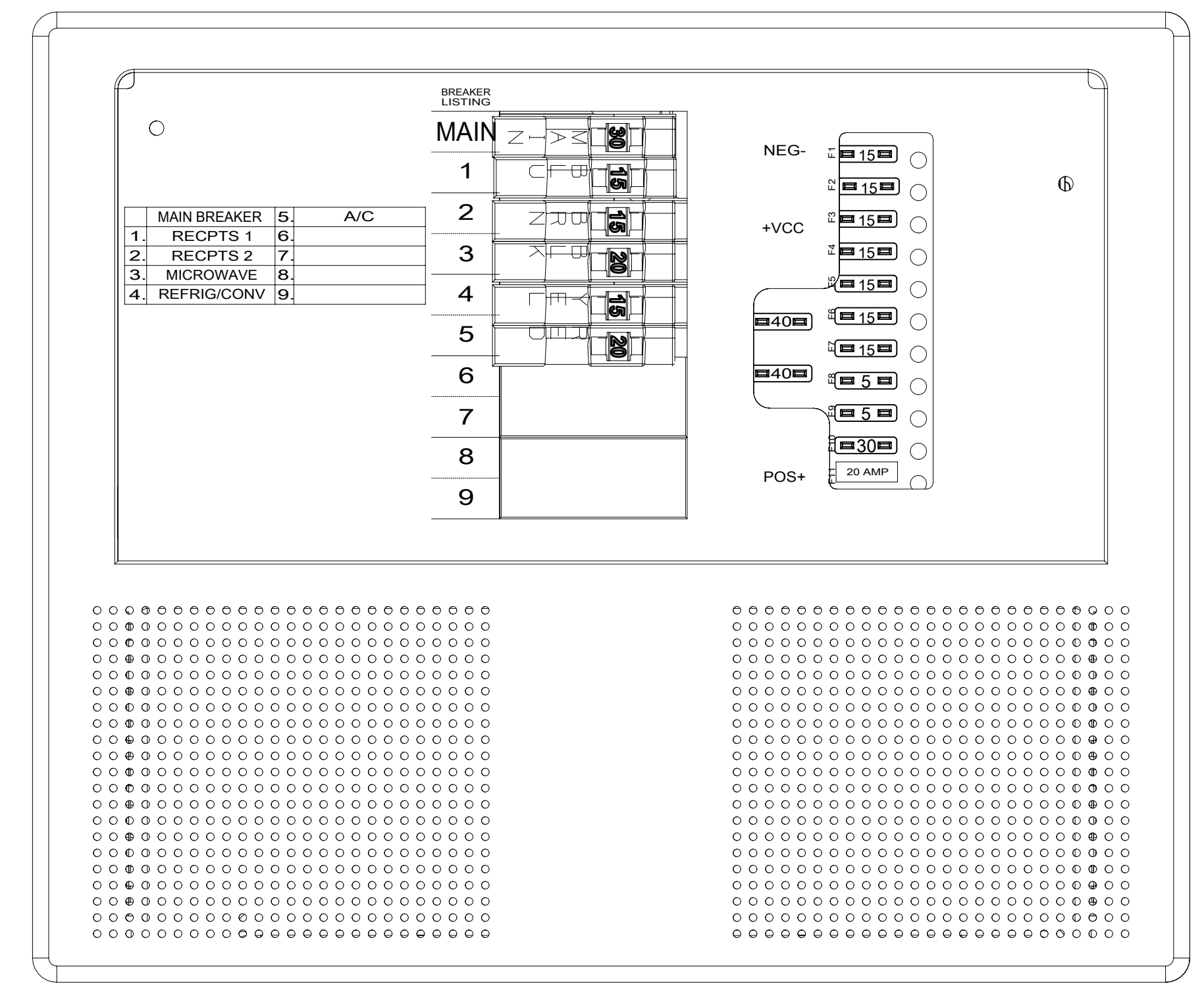
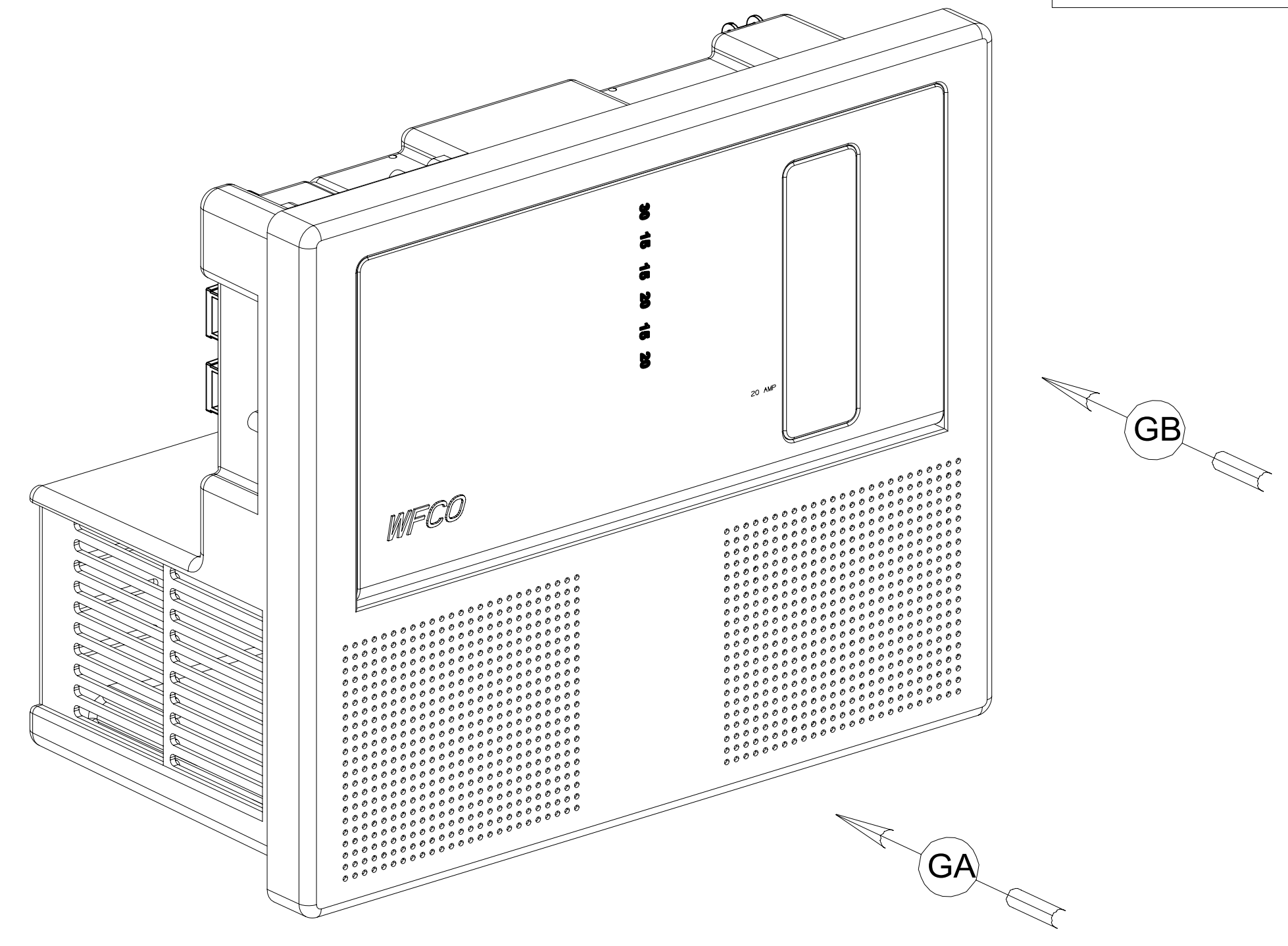
3

2

1



VIEW GA  
(COVER REMOVED)



VIEW GB  
(DOOR REMOVED)

- NOTES:
- 3 SEE TAB BLOCK FOR MODEL SPECIFIC SHEETS.
  - 2 CONNECT CONVERTER POWER CIRCUIT INTO YELLOW BREAKER USE SUPPLIED WIRE NUT TO CONNECT TO YELLOW CIRCUIT WIRE.
  - 1 INSERT GROMMET FROM THE INSIDE OF CONTROL CENTER. SECURE 110V WIRES TO BACKSIDE OF CONTROL CENTER WITH WIRE TIE.

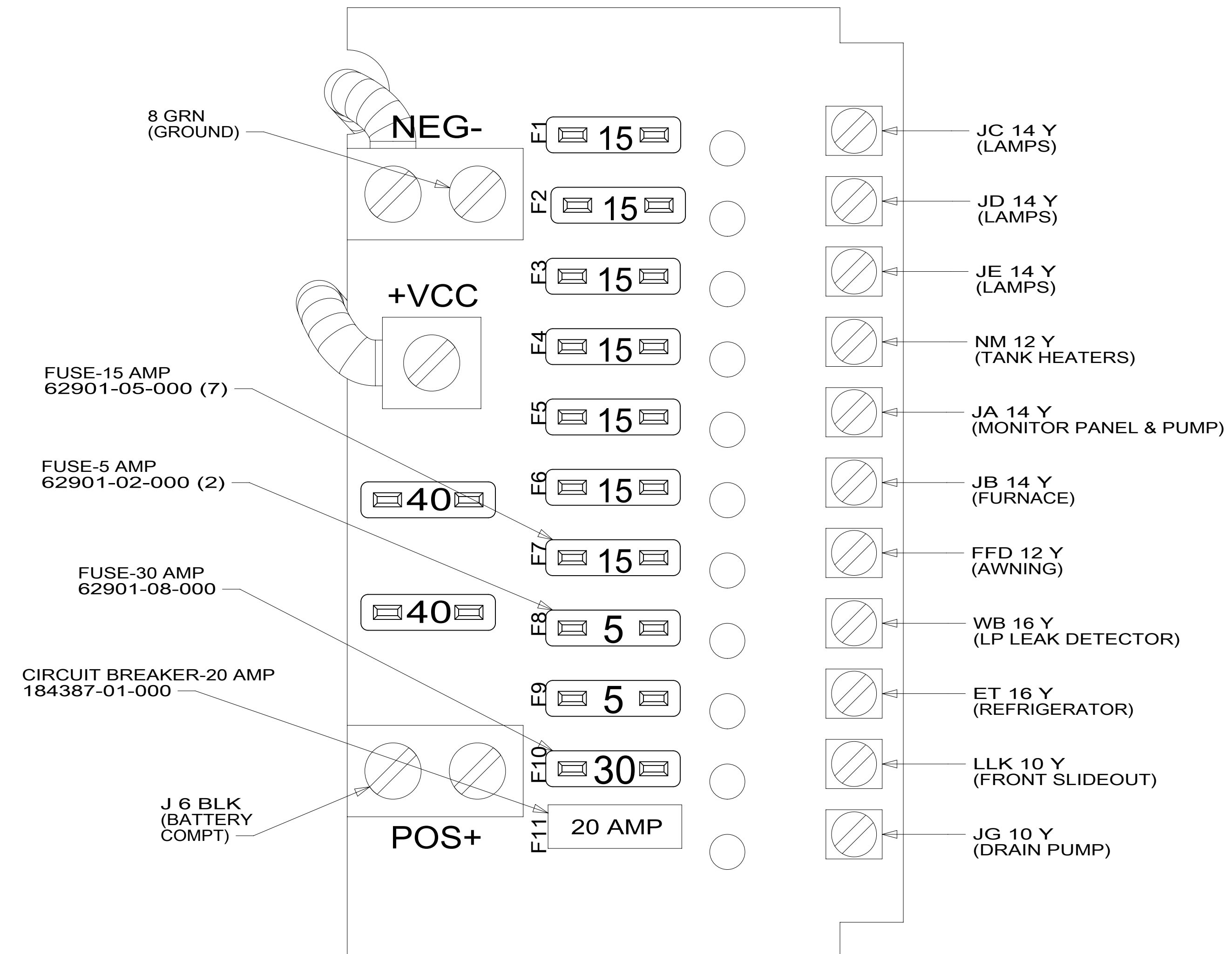
FOR ELECTRICAL TORQUE SPECIFICATIONS SEE DWG NO. 128783-01-000

FOR ELECTRICAL CALLOUTS SEE DWG NO. 121339-01-000

265 CODES/STANDARDS-CSA/CMVSS  
1B1 CODES/STANDARDS USA  
1B1 265

FIRST USED  
**15 300-SERIES**  
DO NOT SCALE DRAWING  
TITLE: **LOAD CENTER/ATS ASM**  
SHEET 9 PART NO **189930** REV

\* 189930 A \*



265 CODES/STANDARDS-CSA/CMVSS

1B1 CODES/STANDARDS USA

1B1 265

FIRST USED  
**15 300-SERIES**

DO NOT SCALE DRAWING

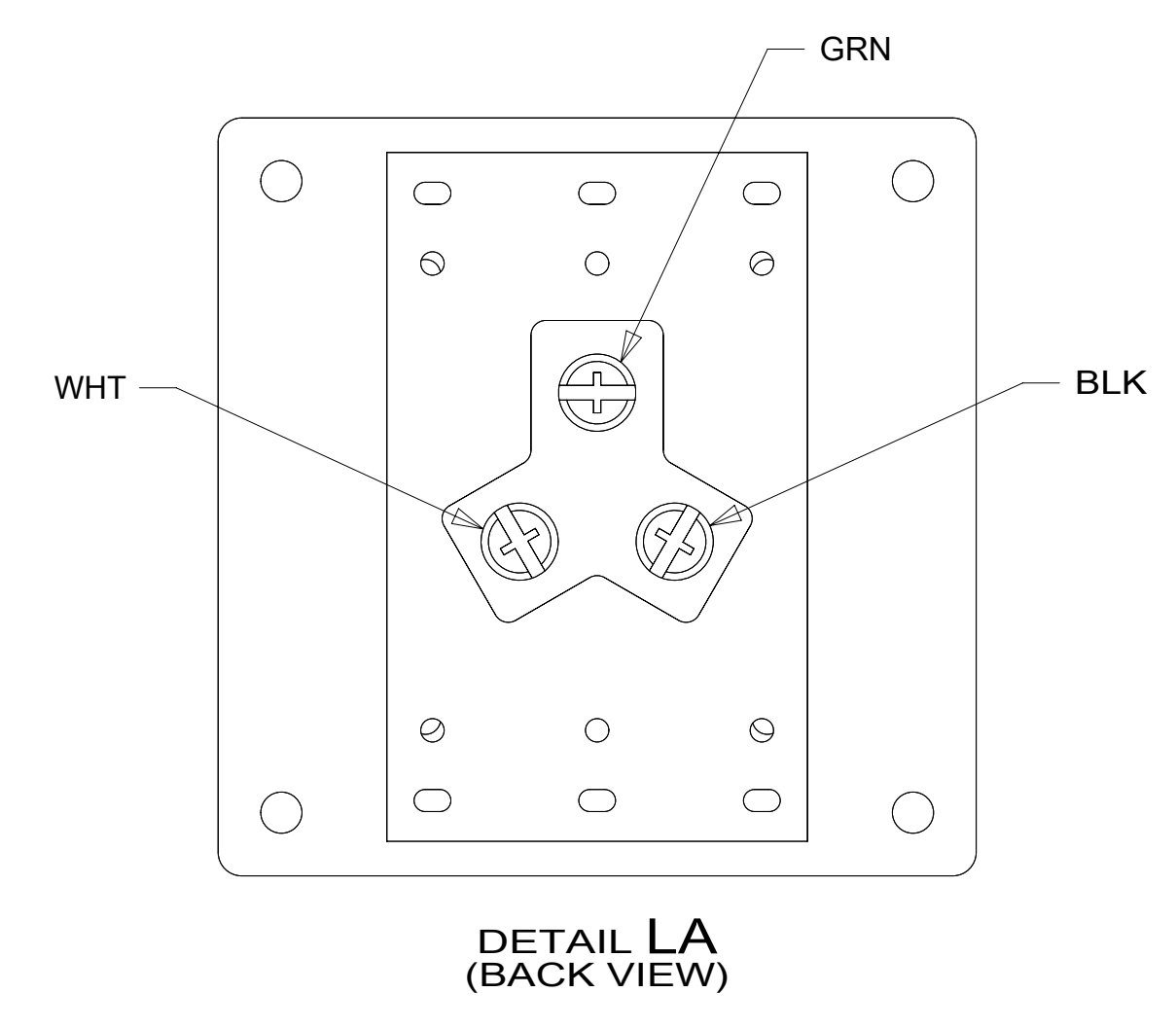
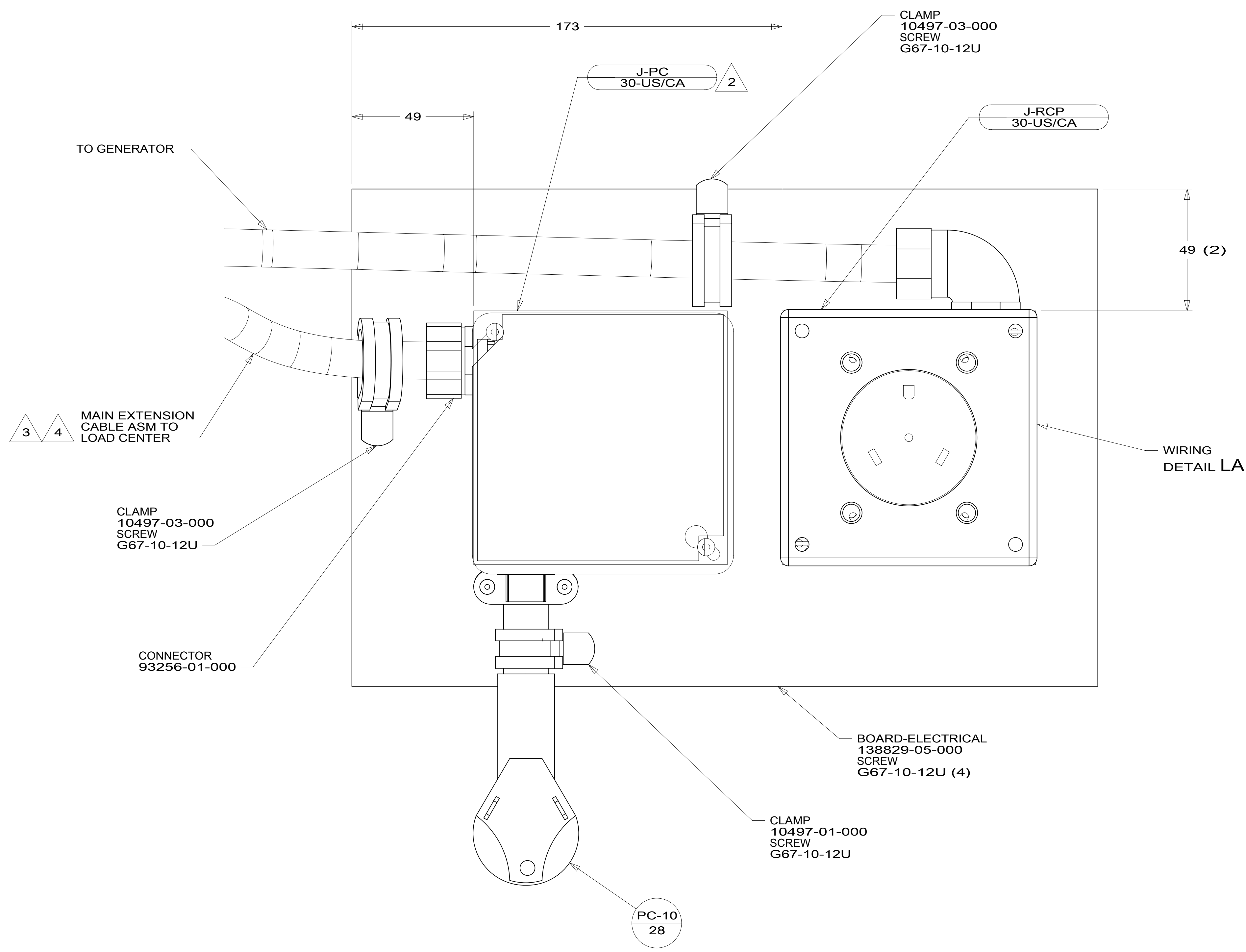
TITLE:  
**LOAD CENTER/ATS ASM**

SHEET 10 PART NO **189930** REV

FOR ELECTRICAL TORQUE SPECIFICATIONS SEE DWG NO. 128783-01-000

FOR ELECTRICAL CALLOUTS SEE DWG NO. 121339-01-000

\*A\* 189930



- NOTES:
- 4 SEE SHEET 1 FOR ADDITIONAL INFORMATION.
  - 3 SEE WIRING INSTL-BODY, 110V FOR ADDITIONAL INFORMATION.
  - 2 CONNECT BLK TO BLK, WHT TO WHT, AND GRNDS TO GRNDS.
1. ALL GROUND WIRES TO BE COVERED WITH TUBING 8041-02-000.

265 CODES/STANDARDS-CSA/CMVSS  
 1B1 CODES/STANDARDS USA

|                                   |                           |
|-----------------------------------|---------------------------|
| FIRST USED                        |                           |
| <b>15 300-SERIES</b>              |                           |
| DO NOT SCALE DRAWING              |                           |
| TITLE: <b>LOAD CENTER/ATS ASM</b> |                           |
| SHEET 11                          | PART NO <b>189930</b> REV |

FOR ELECTRICAL TORQUE SPECIFICATIONS SEE DWG NO. 128783-01-000

FOR ELECTRICAL CALLOUTS SEE DWG NO. 121339-01-000

\* 189930 \*