



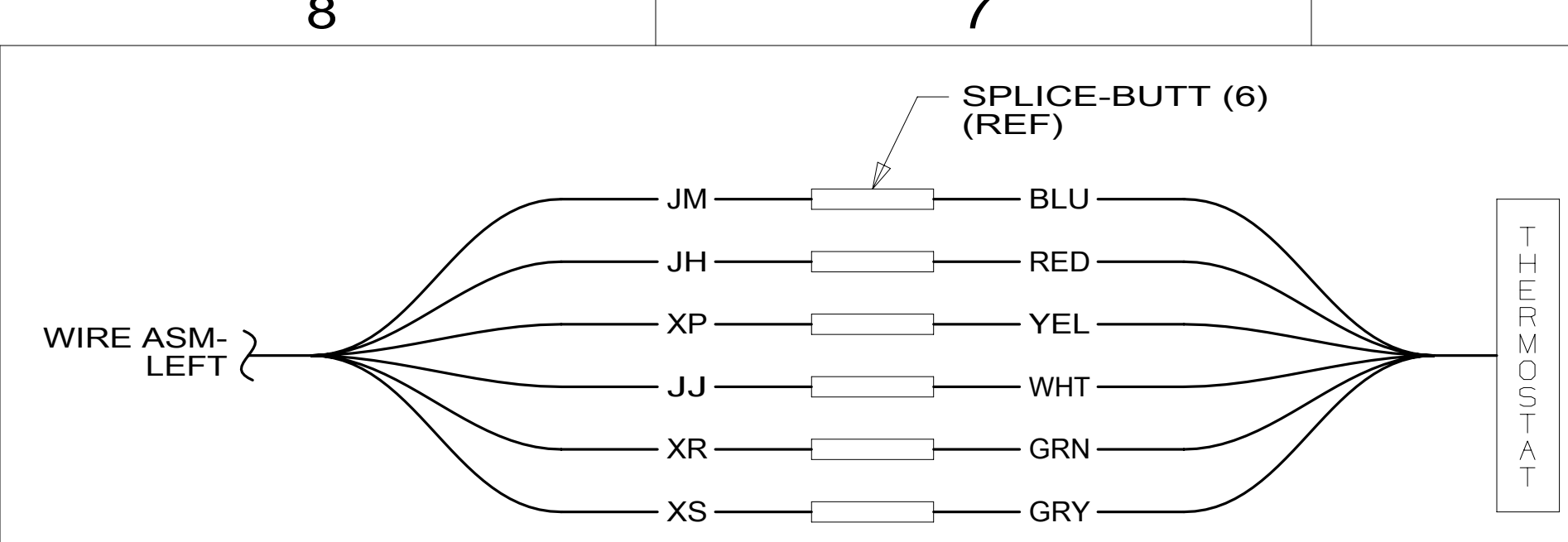
DANGER

Danger of electrical shock, burns or death. Always remove all power sources before attempting any repair, service or diagnostic work. Power can be present from shore power, generator, inverter or battery. All power sources must be disabled and secured before performing any service.

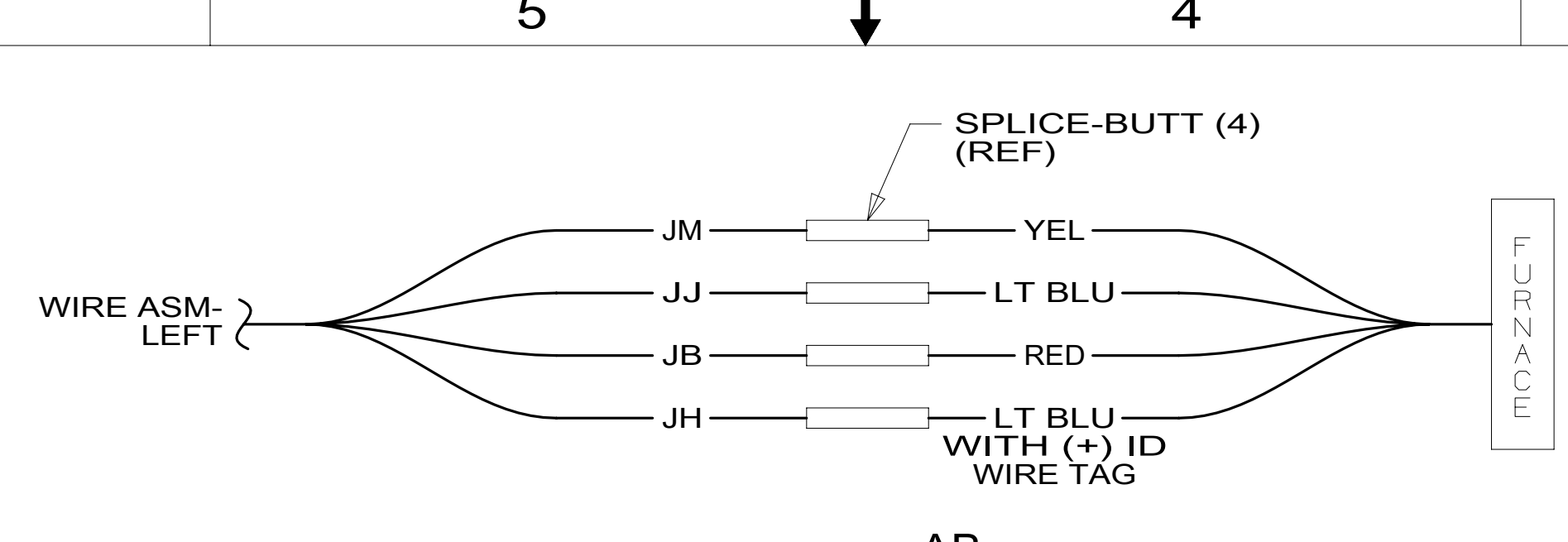


CAUTION

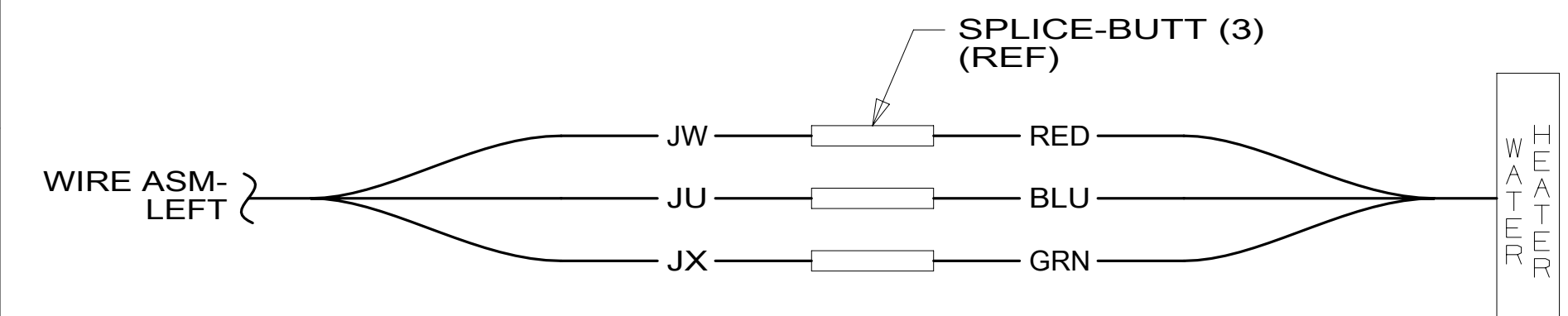
If you lack the skills, tools or equipment to perform diagnostic or repair work leave such work to an authorized Winnebago Industries dealer or other qualified shop.



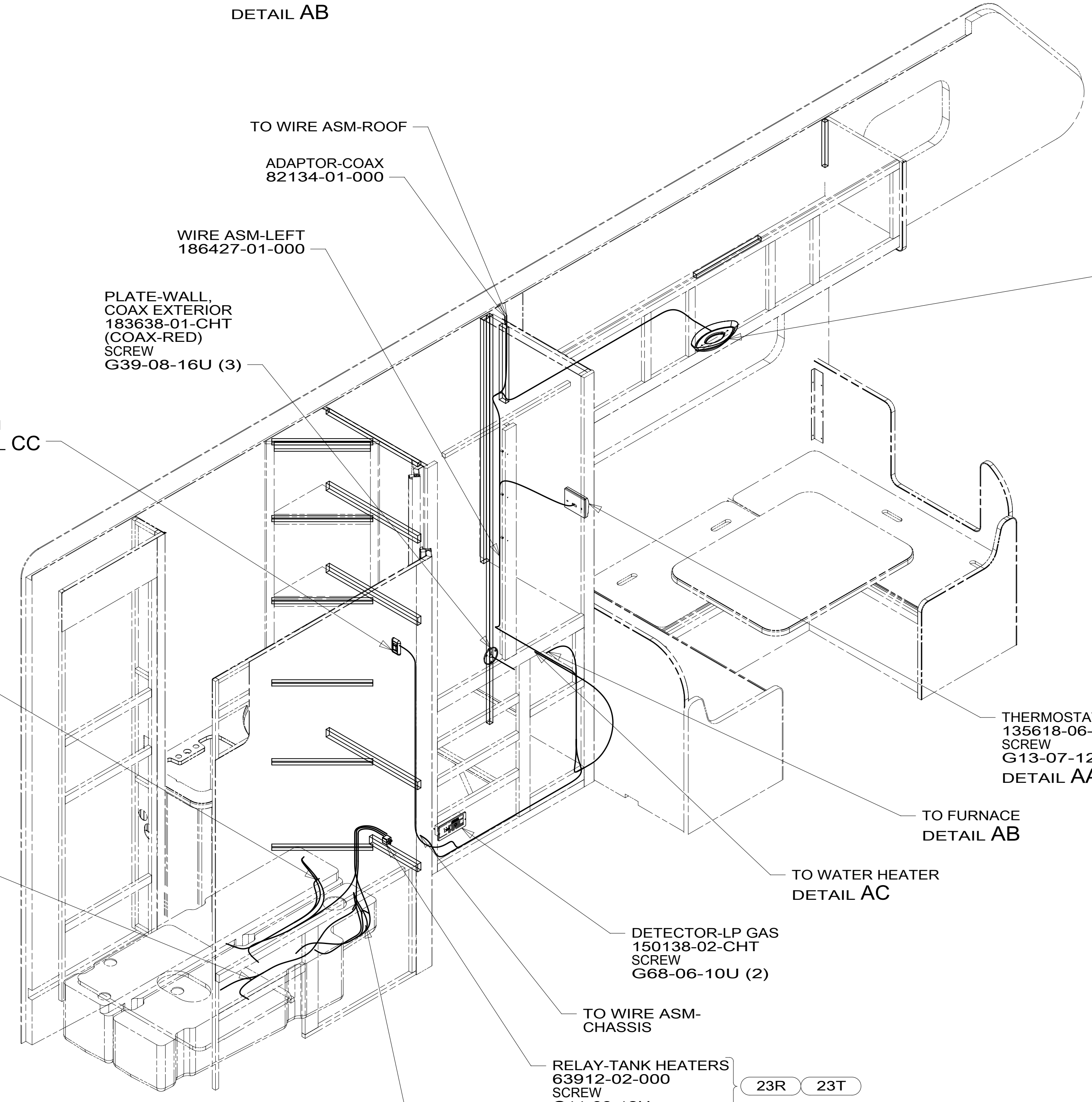
DETAIL AA



DETAIL AB



DETAIL AC



- NOTES:
- 8 CUT 2-PIN HSG OFF ASSEMBLY, REPLACE WITH BUTT SPLICE 031876-01-000 (2). CONNECT BLK WIRE TO WHT AND BLK/WHT WIRE TO YEL.
 - 7 MARK WIRES WITH WRAP OF BLU TAPE.
 - 6 MARK WIRES WITH WRAP OF ORG TAPE.
 - 5 REMOVE BULB SUPPLIED WITH LAMP. SEND TO STOCK AS P/N 117805-02-000. REPLACE WITH LED BULB.
 - 4. AT MINIMUM ALL WIRES TO BE SUPPORTED AND SECURED PER CODE REQUIREMENTS. USE CLAMP 10495 OR 10497 OR WIRE TIE 8343 OR 108046 AND SCREW G67-XX-XXX OR G56-XX-XXX AS APPROPRIATE FOR INSTALLATION.
 - 3 SEE DRAINAGE SYSTEM INSTALLATION FOR ADDITIONAL INFORMATION.
 - 2 WIRE ROUTED ALONG DRAINAGE PIPE AND CONNECTED TO PIPE WITH TIE-WIRE 8343-04-000.
 - 1 SEE DETAIL EA FOR WIRING AND CONNECTION TO SENSOR PROBES.

- 640 RENTAL - GAH WITHOUT
- 644 GREAT ALASKAN RENTAL PACKAGE
- 23R DRAINAGE SYSTEM/HEAT-PREWIRE
- 23T DRAINAGE SYSTEM-HEATED
- 265 CODES/STANDARDS-CSA/CMVSS
- 1B1 CODES/STANDARDS USA

WINNEBAGO COPYRIGHT 2014 WINNEBAGO INDUSTRIES, INC.

DFTR	ORIG. DATE
CHKR	ALL DIMENSIONS ARE IN MILLIMETERS
P.E.	FIRST USED
M.E.	15 322R
DSNR	

UNSPECIFIED TOLERANCES ARE:
 WHOLE DIM (X) : 3
 ONE-PLACE (X.X) : 1.5
 TWO-PLACE (X.XX) : 0.50
 ANGLE : 1°

THIRD ANGLE PROJECTION

DO NOT SCALE DRAWING REFER TO ES0018 FOR FASTENER TIGHTENING GUIDELINES

TITLE: WIRING INSTL-BODY, 12V

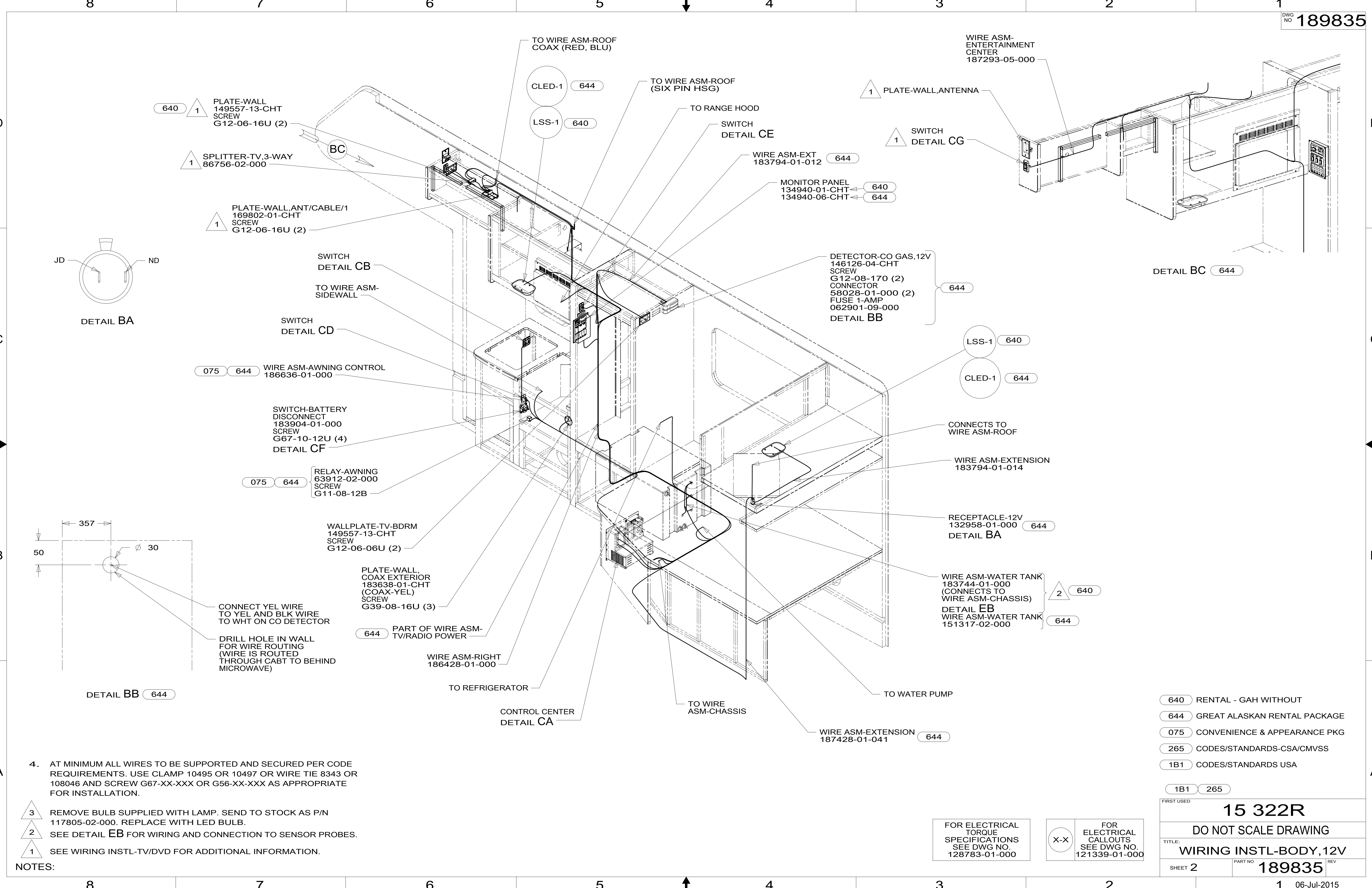
SHEET 1 OF 5 PART NO 189835 REV

REF: 1 06-Jul-2015

FOR ELECTRICAL TORQUE SPECIFICATIONS SEE DWG NO. 128783-01-000

FOR ELECTRICAL CALLOUTS SEE DWG NO. 121339-01-000

189835



8
7
6
5
4
3
2
1

D
C
B
A

4. AT MINIMUM ALL WIRES TO BE SUPPORTED AND SECURED PER CODE REQUIREMENTS. USE CLAMP 10495 OR 10497 OR WIRE TIE 8343 OR 108046 AND SCREW G67-XX-XXX OR G56-XX-XXX AS APPROPRIATE FOR INSTALLATION.
- 3 REMOVE BULB SUPPLIED WITH LAMP. SEND TO STOCK AS P/N 117805-02-000. REPLACE WITH LED BULB.
- 2 SEE DETAIL EB FOR WIRING AND CONNECTION TO SENSOR PROBES.
- 1 SEE WIRING INSTL-TV/DVD FOR ADDITIONAL INFORMATION.

NOTES:

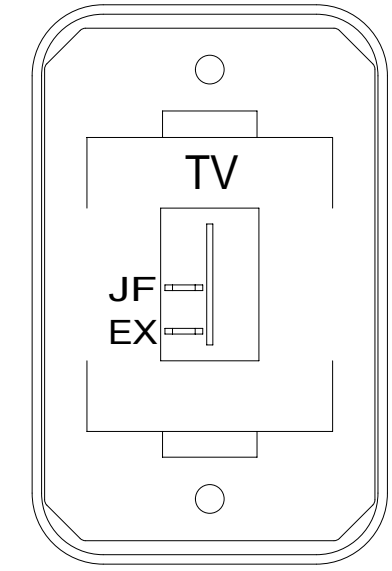
- 640 RENTAL - GAH WITHOUT
- 644 GREAT ALASKAN RENTAL PACKAGE
- 075 CONVENIENCE & APPEARANCE PKG
- 265 CODES/STANDARDS-CSA/CMVSS
- 1B1 CODES/STANDARDS USA

FIRST USED	
15 322R	
DO NOT SCALE DRAWING	
TITLE: WIRING INSTL-BODY, 12V	
SHEET 2	PART NO 189835 REV
1 06-Jul-2015	

FOR ELECTRICAL TORQUE SPECIFICATIONS SEE DWG NO. 128783-01-000

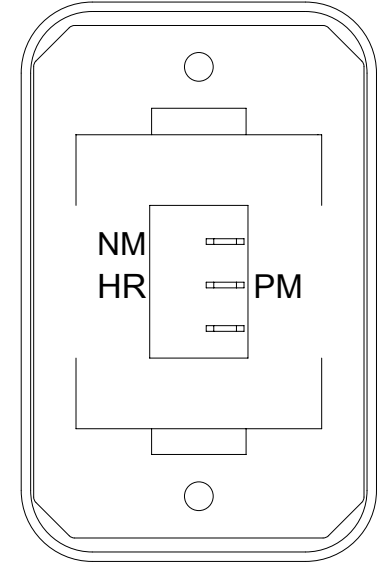
FOR ELECTRICAL CALLOUTS SEE DWG NO. 121339-01-000

* 189835 *



SWITCH-ROCKER
135740-01-CHT
SWITCH-BASE
135741-01-CHT
SWITCH-BEZEL
135742-45-CHT
SCREW
G11-08-08U (2)

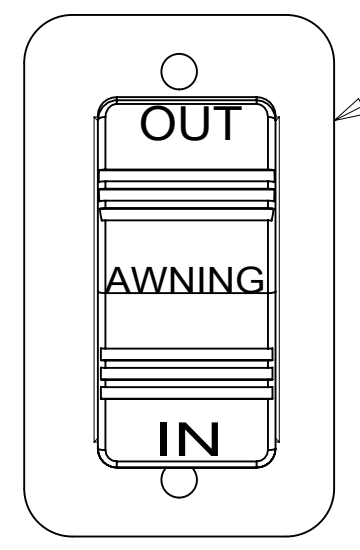
DETAIL CG 644



SWITCH-BLANK
138253-01-CHT
SWITCH-ROCKER
135740-06-CHT
SWITCH-BASE
135741-01-CHT
SWITCH-BEZEL
135742-01-CHT
LABEL-SWITCH
134563-01-CHT
SCREW
G11-08-08U (2)

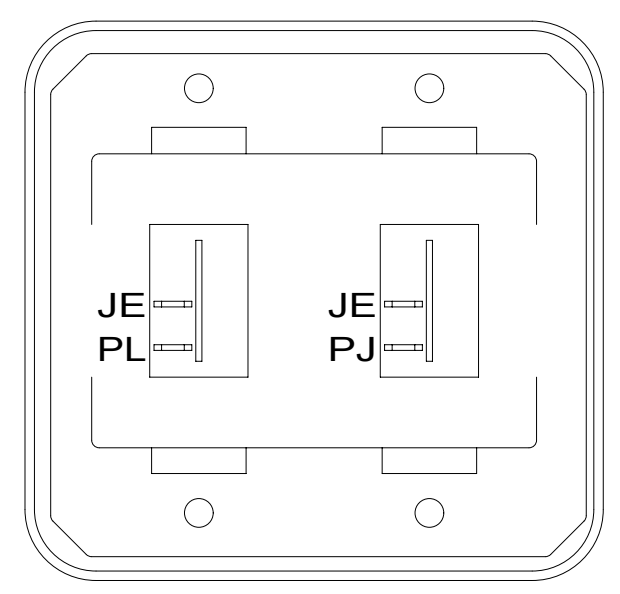
HOLDING TANK HEATER
TURN OFF When Not In Use
SEE OPERATORS MANUAL

DETAIL CE



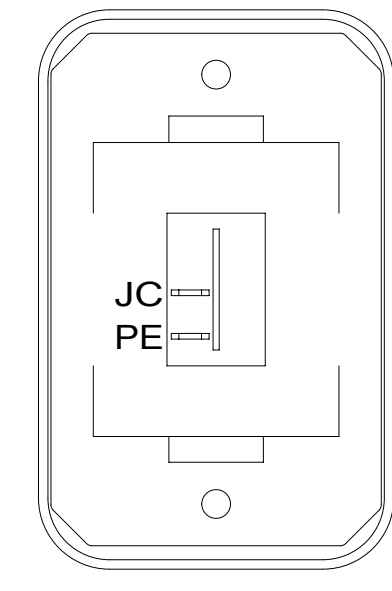
SWITCH-ROCKER
108357-06-000
ACTUATOR
108356-12-CHT
SWITCH-BLANK
096241-03-000
PLATE-SWITCH
098351-07-CHT
SCREW
G11-06-10U (2)

DETAIL CD



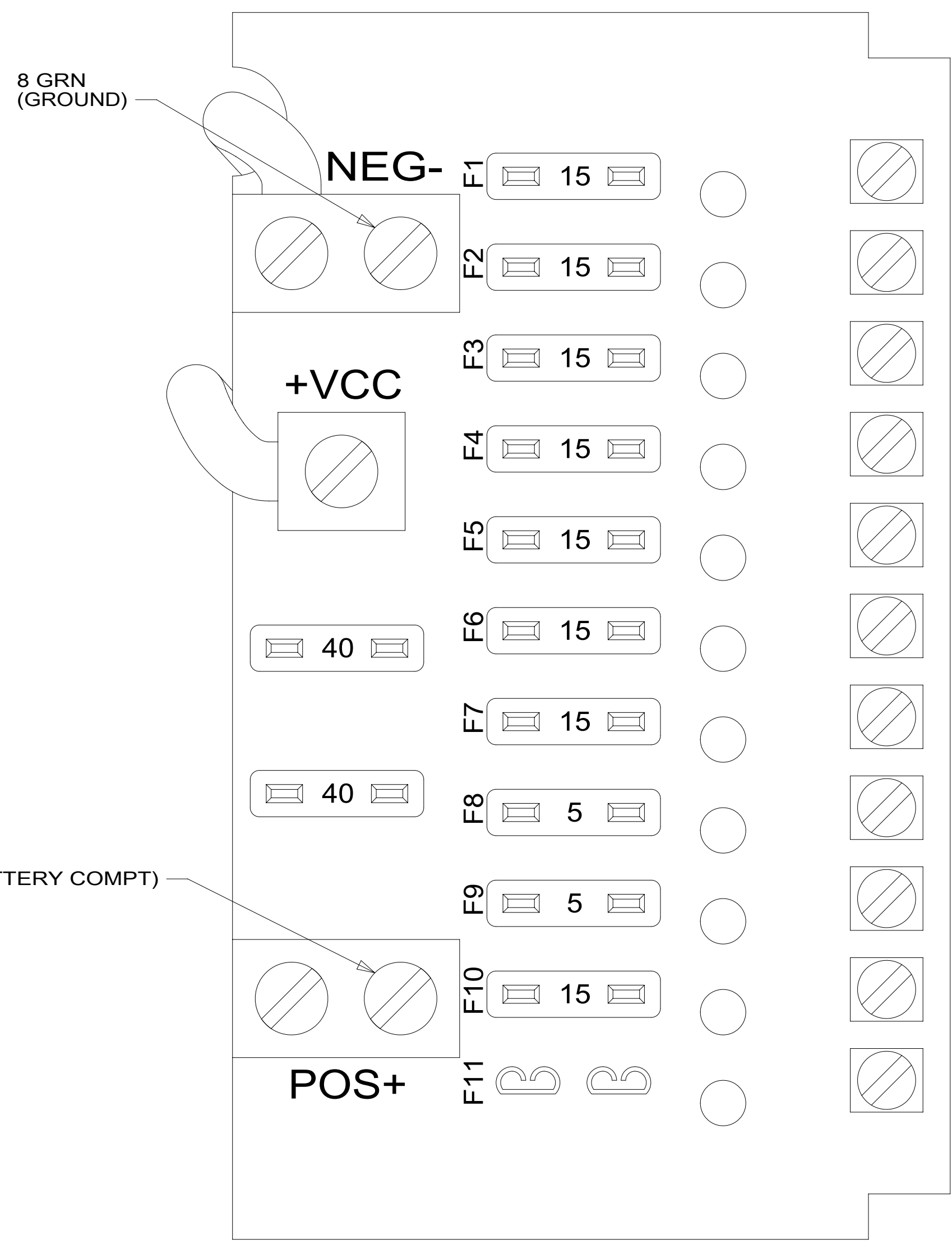
SWITCH-ROCKER
135740-01-CHT (2)
SWITCH-BASE
135741-02-CHT
SWITCH-BEZEL
135742-02-CHT
SCREW
G11-08-08U (4)

DETAIL CB



SWITCH-ROCKER
135740-01-CHT
SWITCH-BASE
135741-01-CHT
SWITCH-BEZEL
135742-01-CHT
SCREW
G11-08-08U (2)

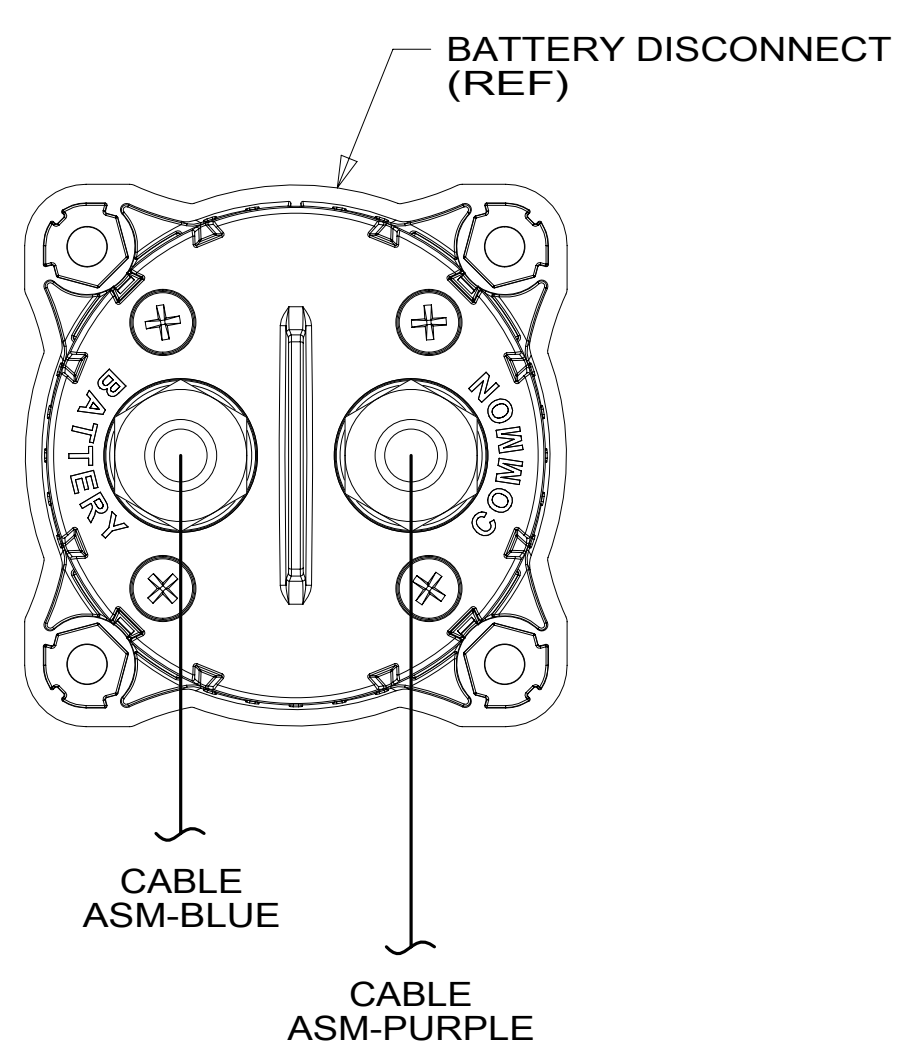
DETAIL CC



8 GRN (GROUND)

J
BLK
(BATTERY COMPT)

- JC 14 YEL (LAMPS)
- JD 14 YEL (LAMPS)
- JE 14 YEL (LAMPS)
- NM 12 YEL (HEATED TANKS) 23T
- JA 12 YEL (MONITOR PANEL & PUMP) (ISOLATED CIRCUIT)
- JB 14 YEL (FURNACE)
- FFD 12 YEL (AWNING)
- WB 16 YEL (LP LEAK DETECTOR)
- ET 16 YEL (REFRIG)
- JF 14 YEL (TV/RADIO POWER) 644



BATTERY DISCONNECT (REF)

CABLE ASM-BLUE
CABLE ASM-PURPLE

DETAIL CF

2 WITHOUT 23T OR 23R

1 FOR REFERENCE ONLY. SEE LOAD CENTER/ATS ASM FOR ADDITIONAL INFORMATION.

NOTES:

FOR ELECTRICAL TORQUE SPECIFICATIONS SEE DWG NO. 128783-01-000

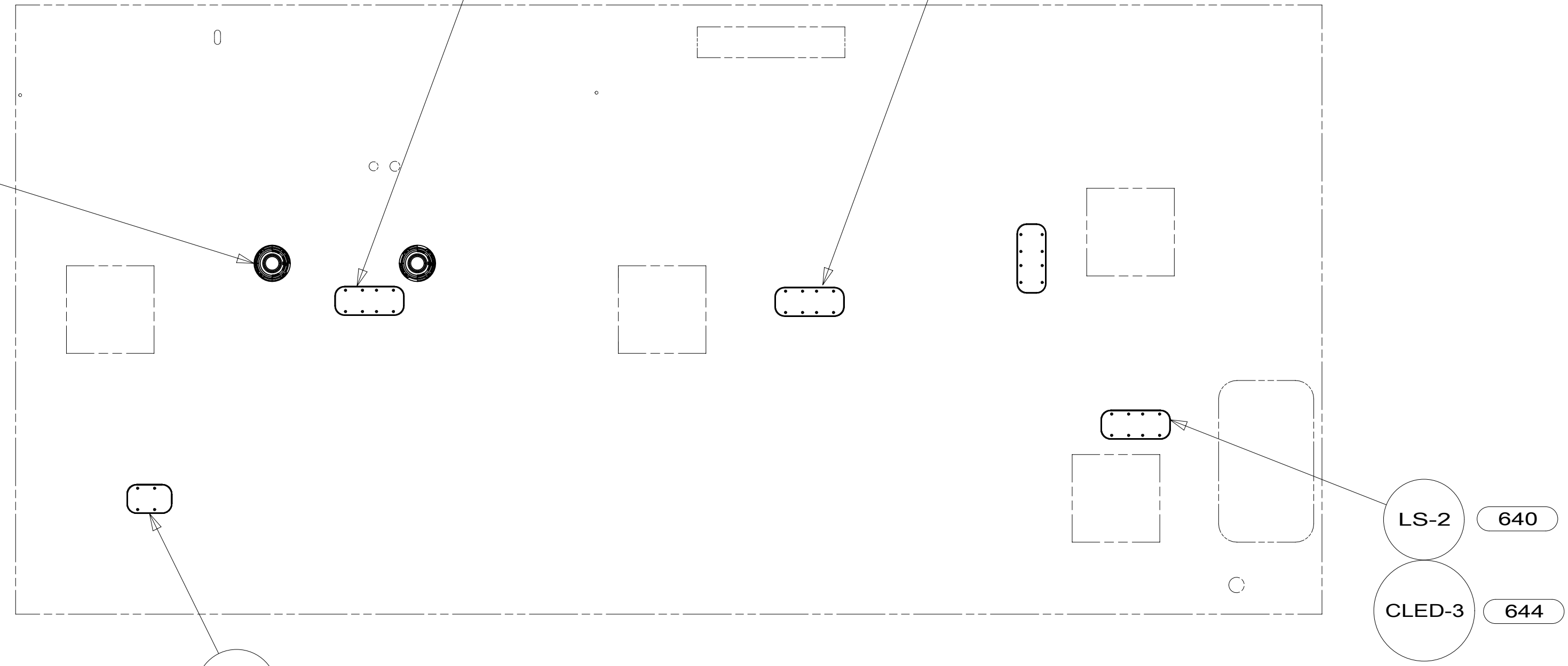
FOR ELECTRICAL CALLOUTS SEE DWG NO. 121339-01-000

- 52F AWNING-PATIO
- 644 GREAT ALASKAN RENTAL PACKAGE
- 075 CONVENIENCE & APPEARANCE PKG
- 23R DRAINAGE SYSTEM/HEAT-PREWIRE
- 23T DRAINAGE SYSTEM-HEATED
- 265 CODES/STANDARDS-CSA/CMVSS
- 1B1 CODES/STANDARDS USA

FIRST USED		15 322R	
DO NOT SCALE DRAWING			
TITLE: WIRING INSTL-BODY, 12V			
SHEET 3	PART NO	189835	REV
		1	06-Jul-2015

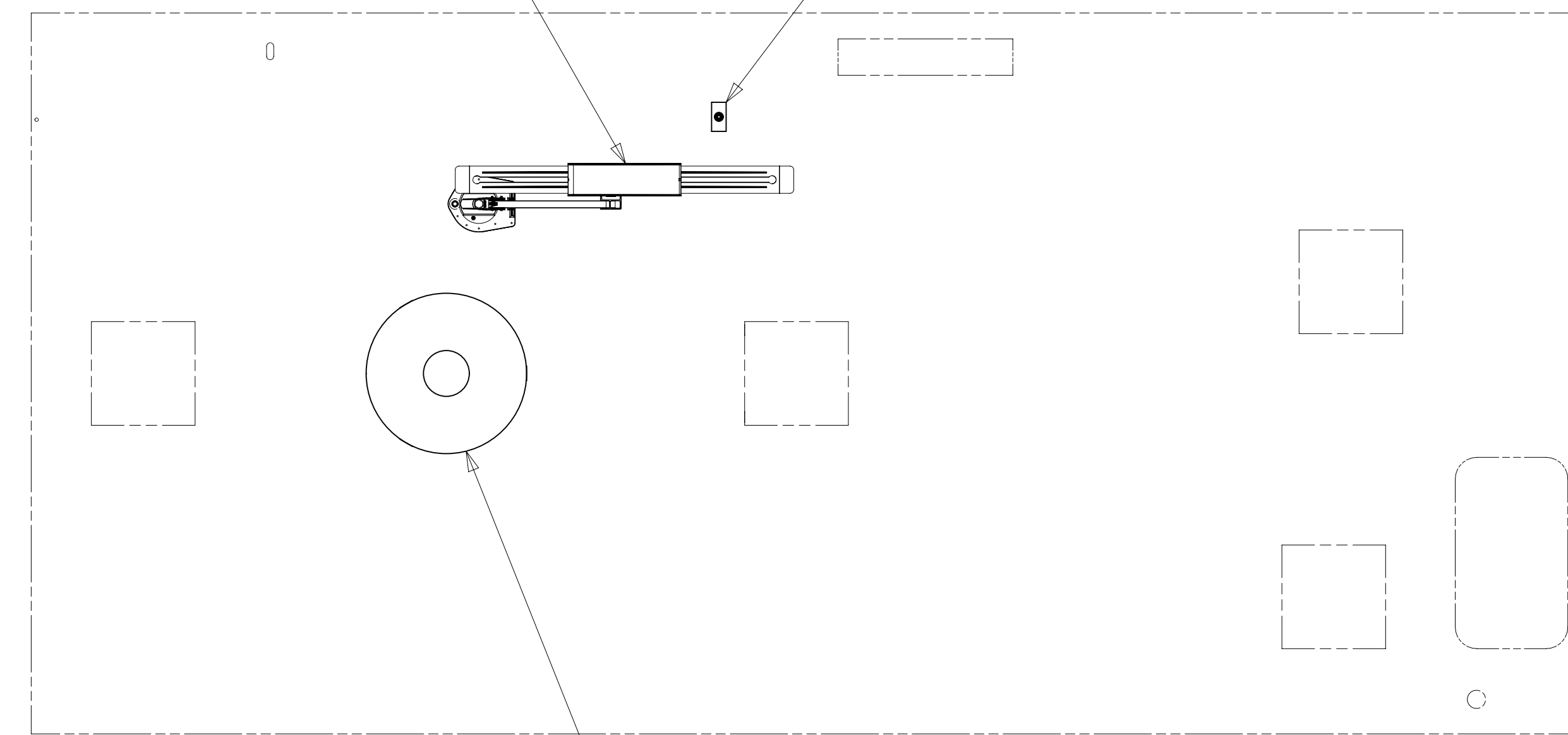
* 189835 *

644 SPEAKER-ROUND,CEILING
171547-01-CHT (2)
SCREW
G11-08-12U (8)



ANTENNA-RADIO
090944-02-000
EXTENDER-SHAFT
109889-04-000
BRACKET-
ANTENNA GROUND
147741-01-CHT

1 193 ANT-7



2 REMOVE BULB SUPPLIED WITH LAMP. SEND TO STOCK AS P/N 117805-02-000. REPLACE WITH LED BULB.

1 SEE ANTENNA INSTALLATION MANUAL FOR CORRECT INSTALLATION PROCEDURE.

NOTES:

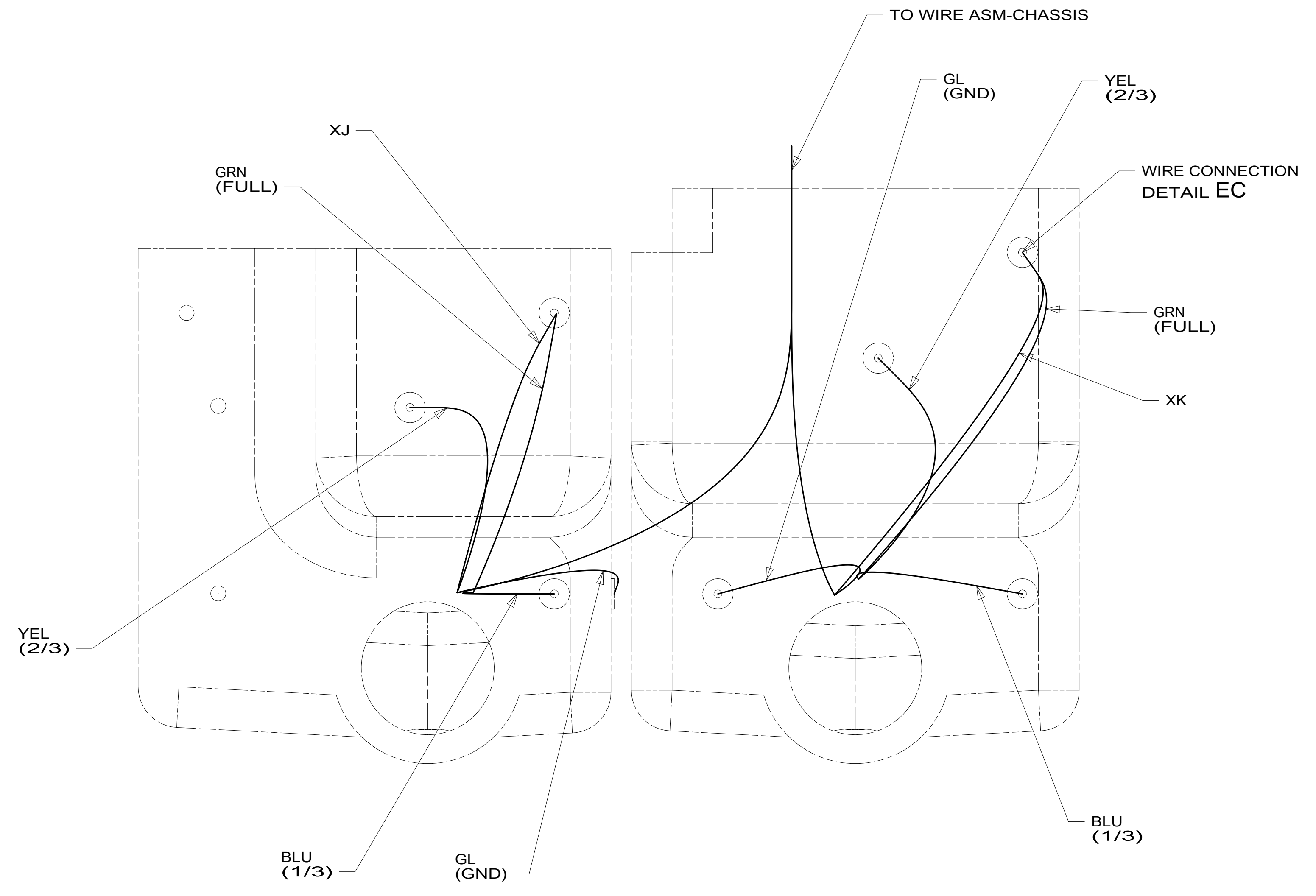
FOR ELECTRICAL TORQUE SPECIFICATIONS SEE DWG NO. 128783-01-000

FOR ELECTRICAL CALLOUTS SEE DWG NO. 121339-01-000

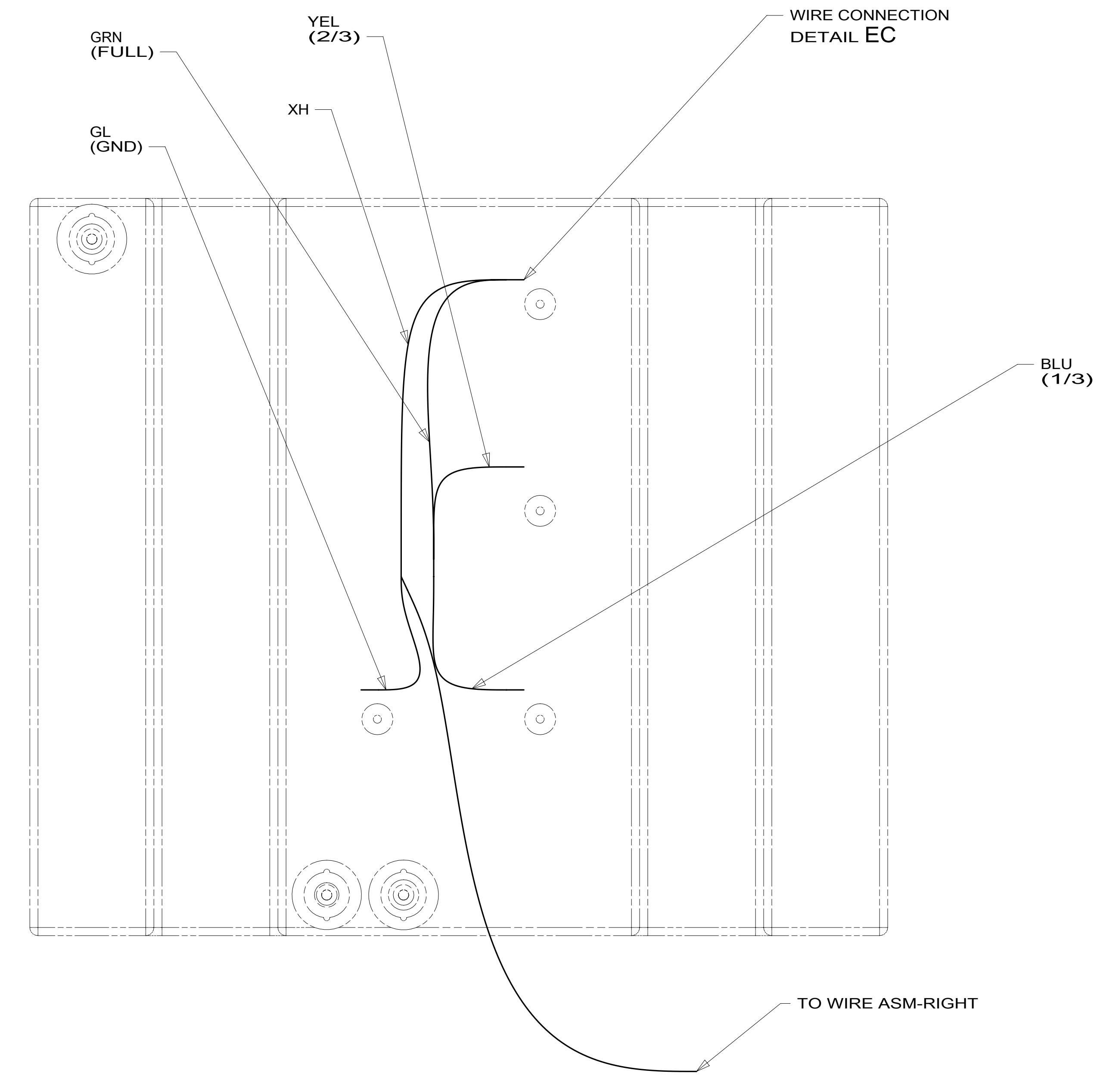
- 640 RENTAL - GAH WITHOUT
- 644 GREAT ALASKAN RENTAL PACKAGE
- 1J8 TV ANTENNA-OMNI DIRECTIONAL
- 193 TV ANTENNA-AMPLIFIED SYSTEM
- 265 CODES/STANDARDS-CSA/CMVSS
- 1B1 CODES/STANDARDS USA

FIRST USED	15 322R	
DO NOT SCALE DRAWING		
TITLE: WIRING INSTL-BODY, 12V		
SHEET 4	PART NO 189835	REV
	1	06-Jul-2015

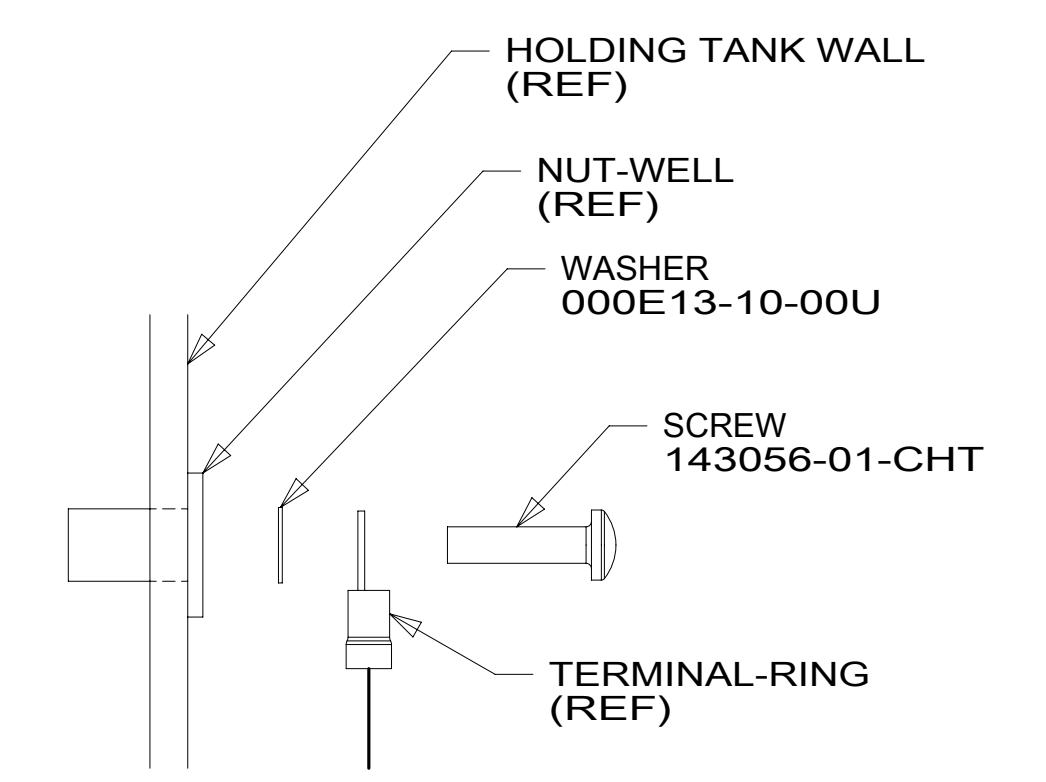
189835



DETAIL EA



DETAIL EB



DETAIL EC 1

1 TYPICAL WIRE ATTACHMENT AT ALL LEVEL PROBES (4 EACH) FOR WATER, MAIN, AND AUX HOLDING TANKS.

NOTES:

265 CODES/STANDARDS-CSA/CMVSS
 1B1 CODES/STANDARDS USA

1B1 265

FIRST USED	15 322R	
TITLE:	DO NOT SCALE DRAWING	
	WIRING INSTL-BODY, 12V	
SHEET 5	PART NO 189835	REV
	1	06-Jul-2015

FOR ELECTRICAL TORQUE SPECIFICATIONS SEE DWG NO. 128783-01-000

X-X FOR ELECTRICAL CALLOUTS SEE DWG NO. 121339-01-000

189835