



**DANGER**

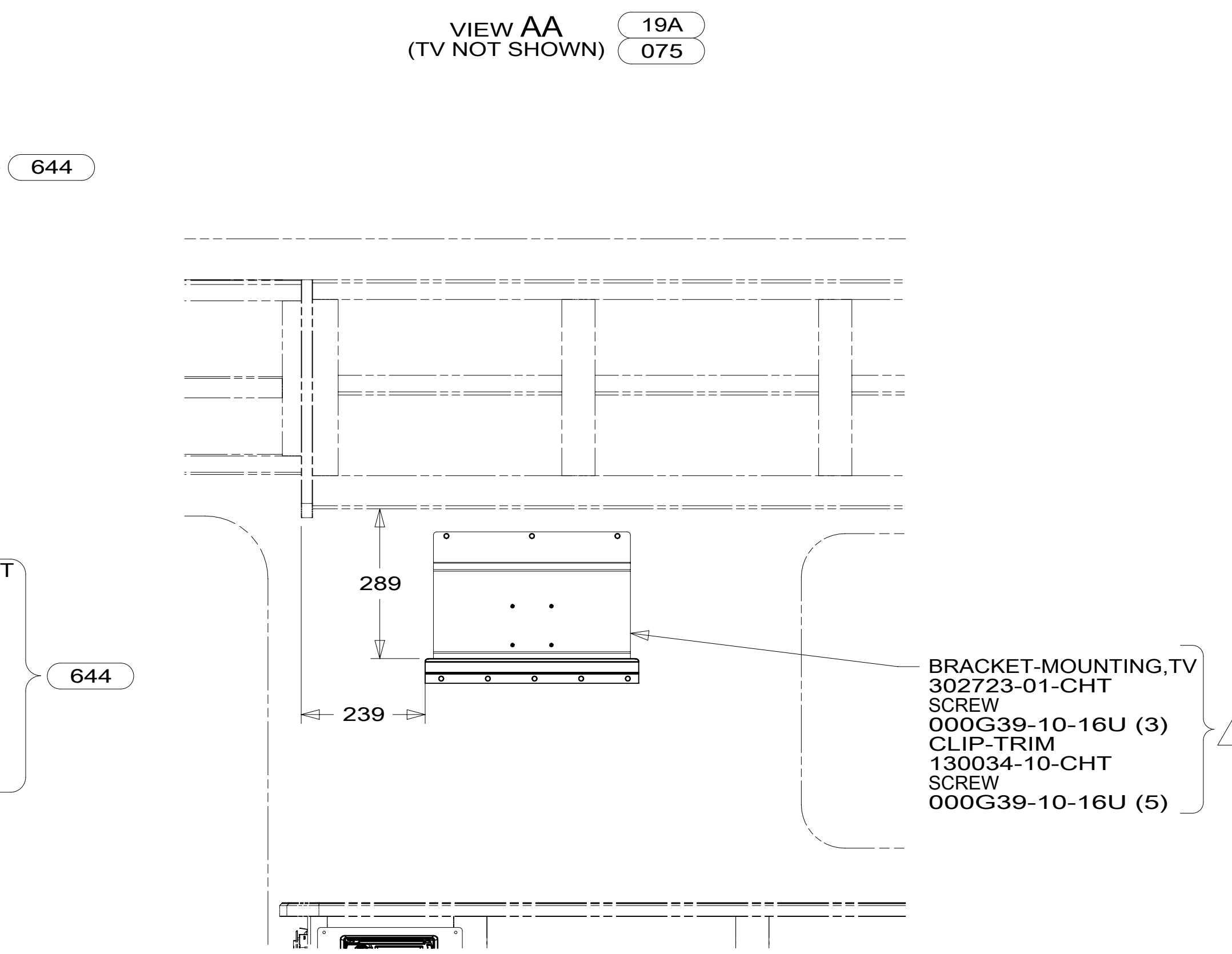
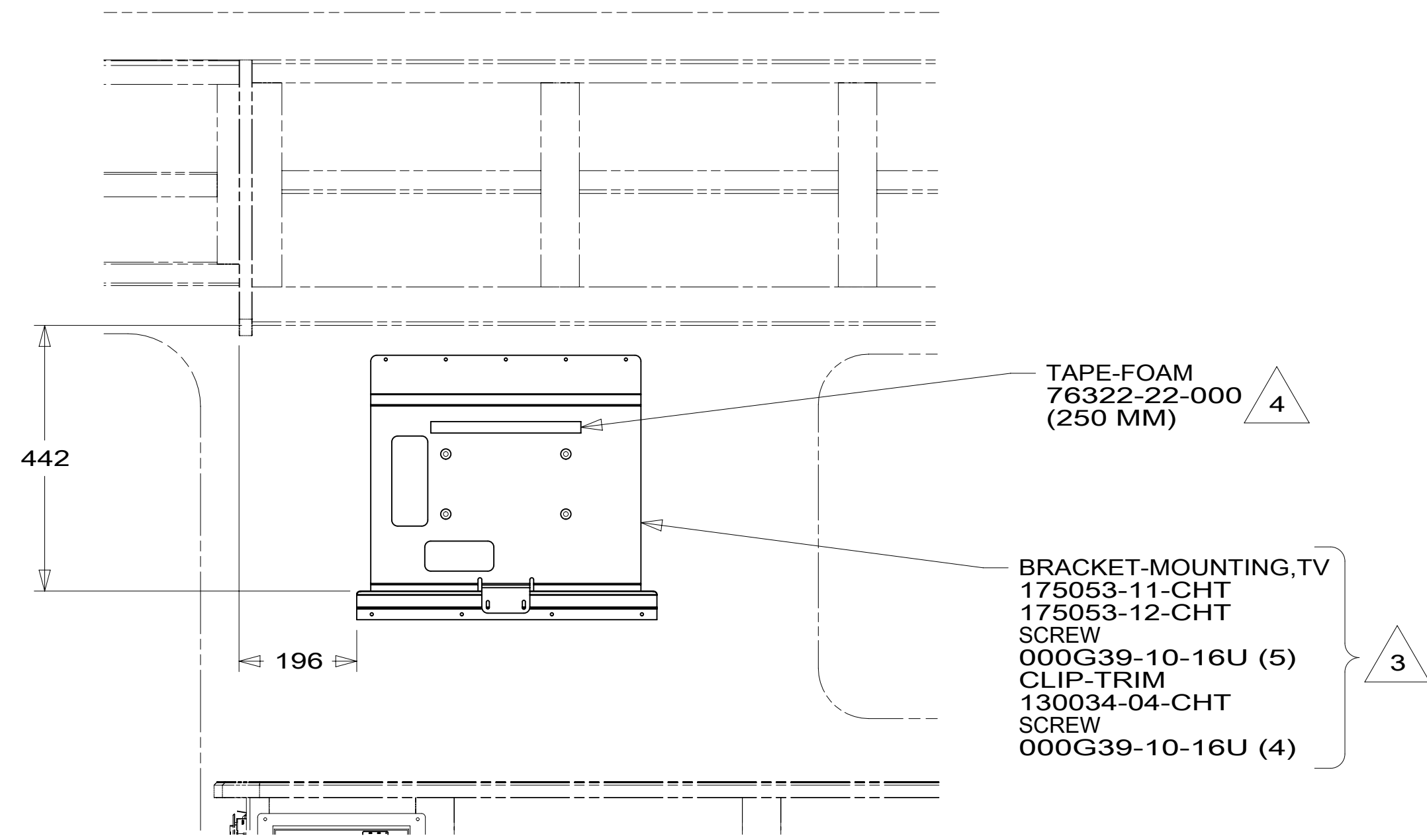
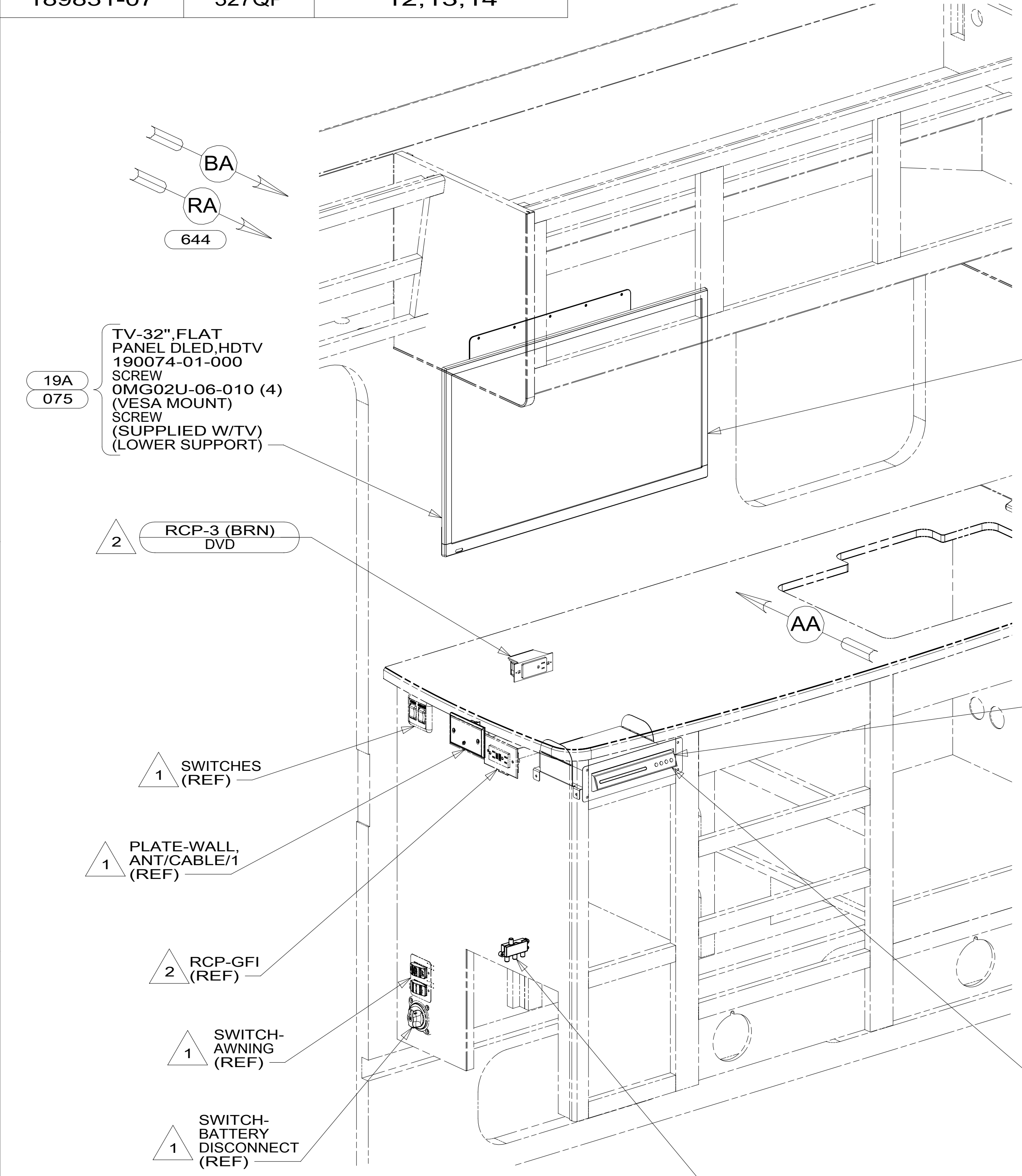
**Danger of electrical shock, burns or death.** Always remove all power sources before attempting any repair, service or diagnostic work. Power can be present from shore power, generator, inverter or battery. All power sources must be disabled and secured before performing any service.



**CAUTION**

If you lack the skills, tools or equipment to perform diagnostic or repair work leave such work to an authorized Winnebago Industries dealer or other qualified shop.

DRAWING NO.	MODEL	SHEETS
189831-01	331K	1,2,15
189831-02	325B	3,4,15,16
189831-03	322R	4,8,15,17
189831-04	331H	3,4,5,6,7,15,16
189831-05	331KP	9,10,11
189831-06	327Q	12,13,15
189831-07	327QP	12,13,14



- NOTES:
- 3 TV BRACKET AND CLIP TO BE CENTERED ON OVHD CABT. MOUNT CLIP AT DIMENSION SHOWN TO TOP EDGE OF CLIP.
  - 2 SEE WIRING INSTL-BODY, 110V FOR ADDITIONAL INFORMATION.
  - 1 SEE WIRING INSTL-BODY, 12V FOR ADDITIONAL INFORMATION.
  - 4 PREP SURFACE WITH ADHESIVE PROMOTER 87211-01-000.

TV-24" FLAT PANEL DLED, HDTV  
194363-01-000  
SCREW  
OMG02U-04-012 (4)  
WASHER  
OME02-04-071 (4)  
CORD-POWER, 12VDC  
191991-01-000  
CABLE-AUDIO  
160574-01-000

RADIO-AM/FM/CD/DVD/RMT  
168408-02-000  
BRACKET-DVD PLAYER  
156586-11-CHT  
SUPPORT-RADIO, REAR  
181725-02-CHT  
SCREW  
000G67-10-12U (5)  
TRIM RING-RADIO  
164740-06-CHT  
SCREW  
000G67-10-12U (4)

DVD PLAYER  
183637-01-000  
TRIM RING-RADIO  
164740-03-CHT  
SCREW  
000G67-10-12U (4)  
BRACKET-DVD PLAYER  
156586-11-CHT  
SCREW  
000G67-10-12U (4)

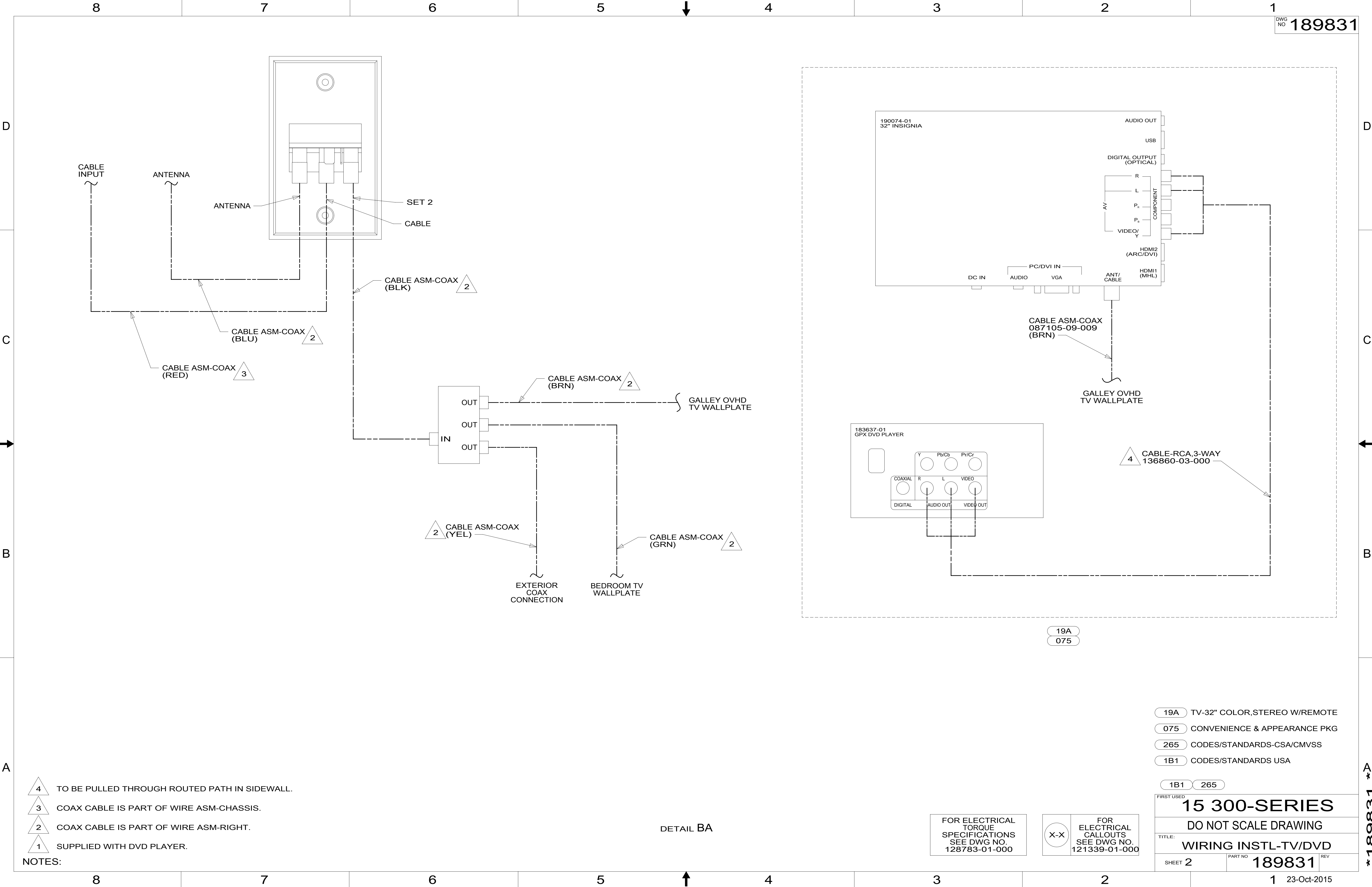
- 644 GREAT ALASKAN RENTAL PACKAGE
- 075 CONVENIENCE & APPEARANCE PKG
- 19A TV-32" COLOR, STEREO W/REMOTE
- 265 CODES/STANDARDS-CSA/CMVSS
- 1B1 CODES/STANDARDS USA

		COPYRIGHT 2014 WINNEBAGO INDUSTRIES, INC.	
DFT-ORIG	ORIG. DATE	ALL DIMENSIONS ARE IN MILLIMETERS	
CHKR		FIRST USED	
P.E.		15 300-SERIES	
M.E.		MATERIAL:	
DSNR		UNSPECIFIED TOLERANCES ARE:	
		WHOLE DIM (X)	: ± 1
		ONE-PLACE (X.X)	: ± 0.5
		TWO-PLACE (X.XX)	: ± 0.25
		ANGLE	: ± 0.5
		THIRD ANGLE PROJECTION	
DO NOT SCALE DRAWING		REFER TO ES0018 FOR FASTENER TIGHTENING GUIDELINES	
TITLE: WIRING INSTL-TV/DVD			
SHEET 1 OF 17	PART NO 189831	REV	

FOR ELECTRICAL TORQUE SPECIFICATIONS SEE DWG NO. 128783-01-000

FOR ELECTRICAL CALLOUTS SEE DWG NO. 121339-01-000

\*189831\*



- NOTES:
- 4 TO BE PULLED THROUGH ROUTED PATH IN SIDEWALL.
  - 3 COAX CABLE IS PART OF WIRE ASM-CHASSIS.
  - 2 COAX CABLE IS PART OF WIRE ASM-RIGHT.
  - 1 SUPPLIED WITH DVD PLAYER.

DETAIL BA

FOR ELECTRICAL TORQUE SPECIFICATIONS SEE DWG NO. 128783-01-000

FOR ELECTRICAL CALLOUTS SEE DWG NO. 121339-01-000

- 19A TV-32" COLOR, STEREO W/REMOTE
- 075 CONVENIENCE & APPEARANCE PKG
- 265 CODES/STANDARDS-CSA/CMVSS
- 1B1 CODES/STANDARDS USA

1B1 265

FIRST USED

**15 300-SERIES**

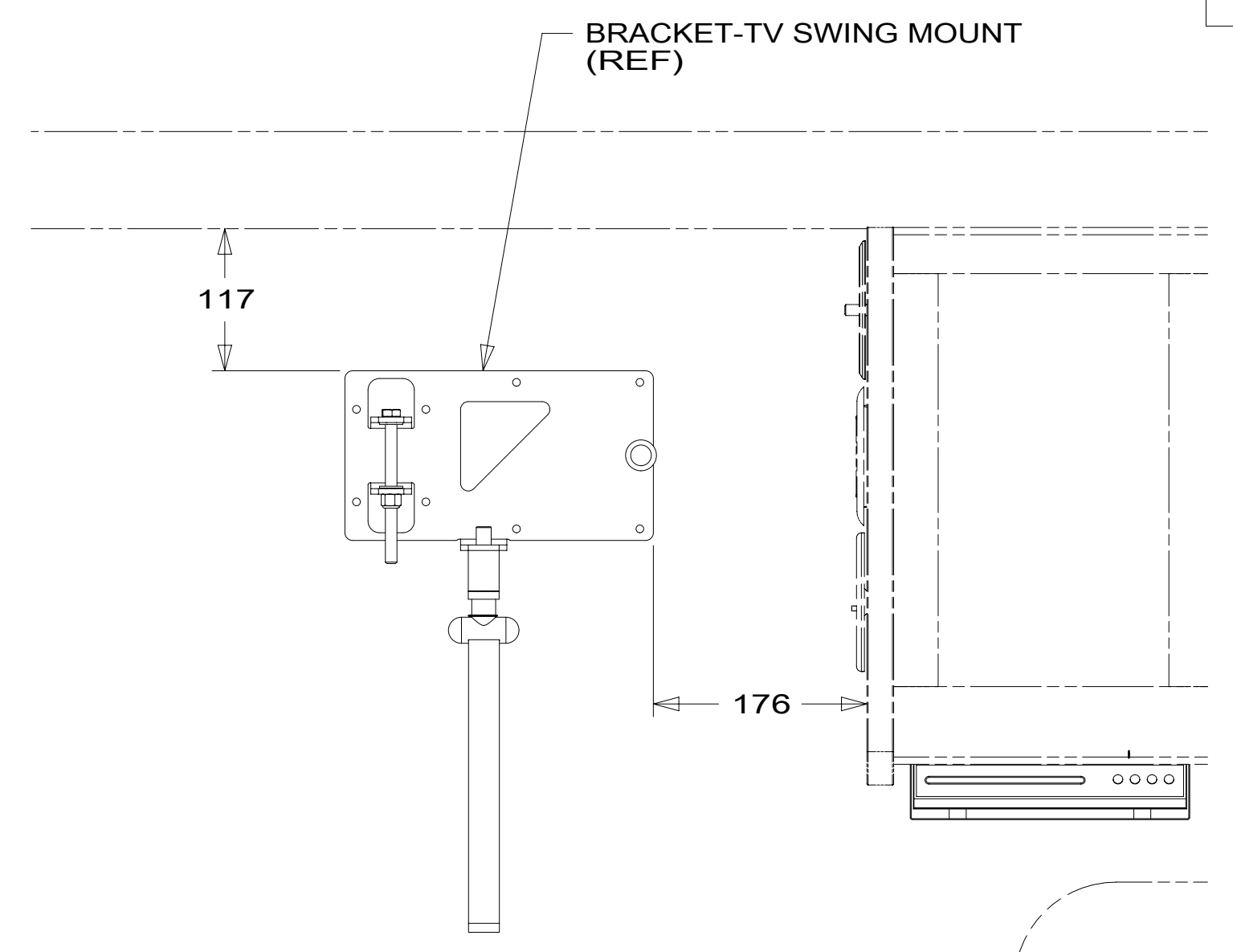
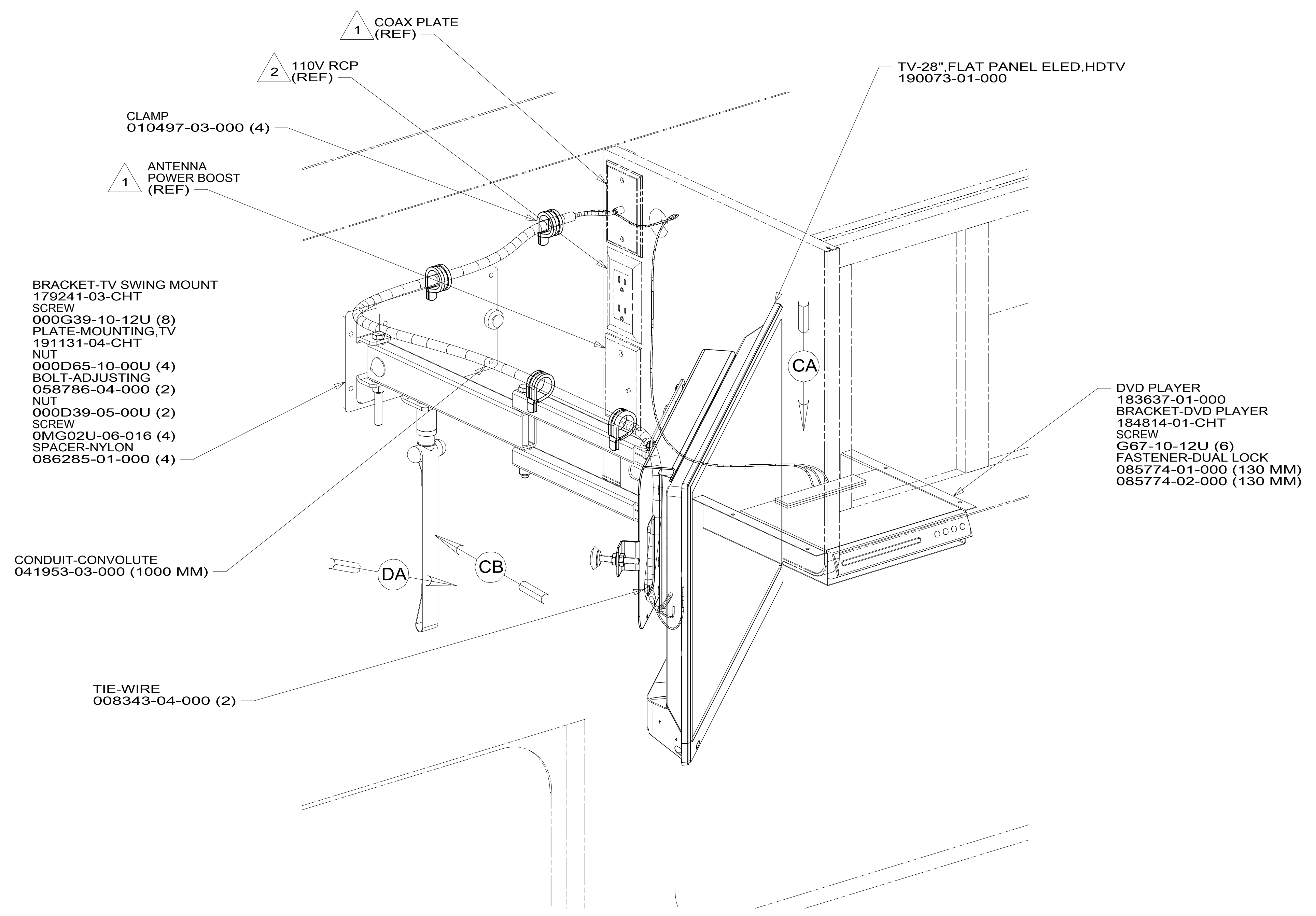
DO NOT SCALE DRAWING

TITLE: **WIRING INSTL-TV/DVD**

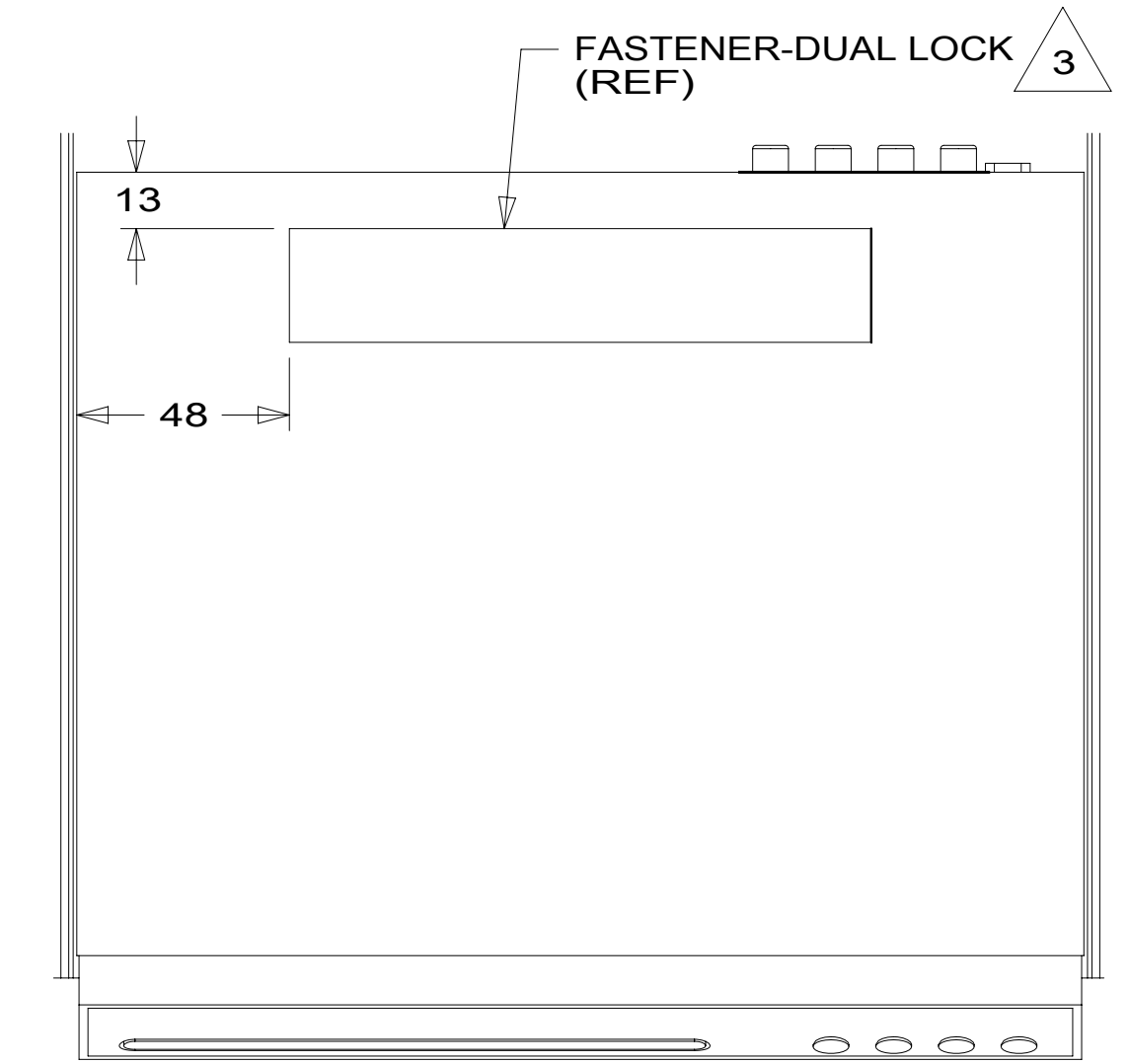
SHEET 2 PART NO. **189831** REV

23-Oct-2015

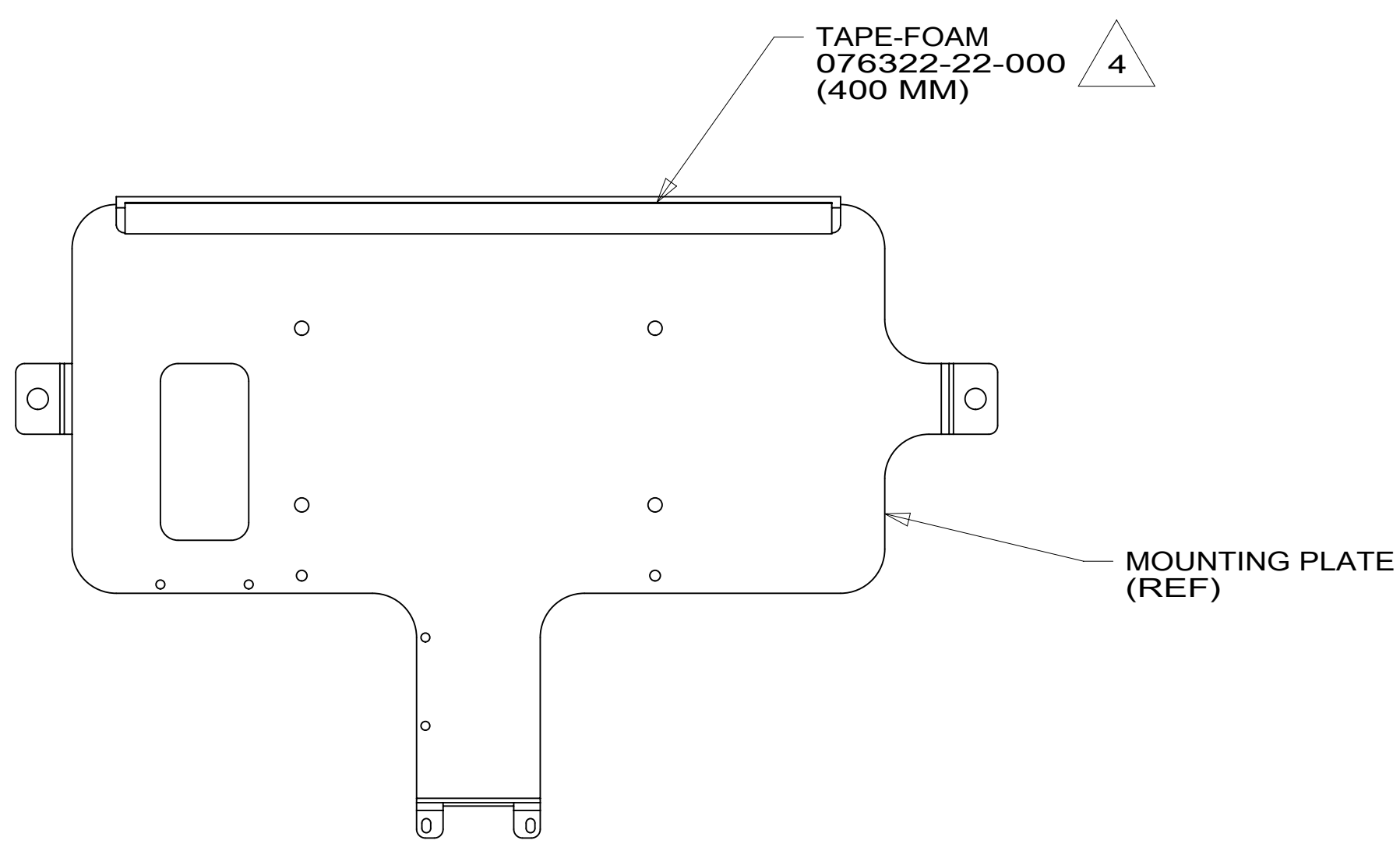
\*189831\*



VIEW CB  
(TV NOT SHOWN)



VIEW CA



- BRACKET-TV SWING MOUNT  
179241-03-CHT
- SCREW  
000G39-10-12U (8)
- PLATE-MOUNTING,TV  
191131-04-CHT
- NUT  
000D65-10-00U (4)
- BOLT-ADJUSTING  
058786-04-000 (2)
- NUT  
000D39-05-00U (2)
- SCREW  
0MG02U-06-016 (4)
- SPACER-NYLON  
086285-01-000 (4)

- DVD PLAYER  
183637-01-000
- BRACKET-DVD PLAYER  
184814-01-CHT
- SCREW  
G67-10-12U (6)
- FASTENER-DUAL LOCK  
085774-01-000 (130 MM)
- 085774-02-000 (130 MM)

- NOTES:
- 4 PREP SURFACE WITH 87211-01-000.
  - 3 ATTACH FASTENER-DUAL LOCK TO DVD PLAYER POSITIONED AS SHOWN.
  - 2 SEE WIRING INSTL-BODY, 110V FOR ADDITIONAL INFORMATION.
  - 1 SEE WIRING INSTL-BODY, 12V FOR ADDITIONAL INFORMATION.

- 075 CONVENIENCE & APPEARANCE PKG
- 61F TV(FRONT)-28" COLOR STEREO
- 265 CODES/STANDARDS-CSA/CMVSS
- 1B1 CODES/STANDARDS USA

1B1 265 61F 075

FIRST USED

**15 300-SERIES**

DO NOT SCALE DRAWING

TITLE: **WIRING INSTL-TV/DVD**

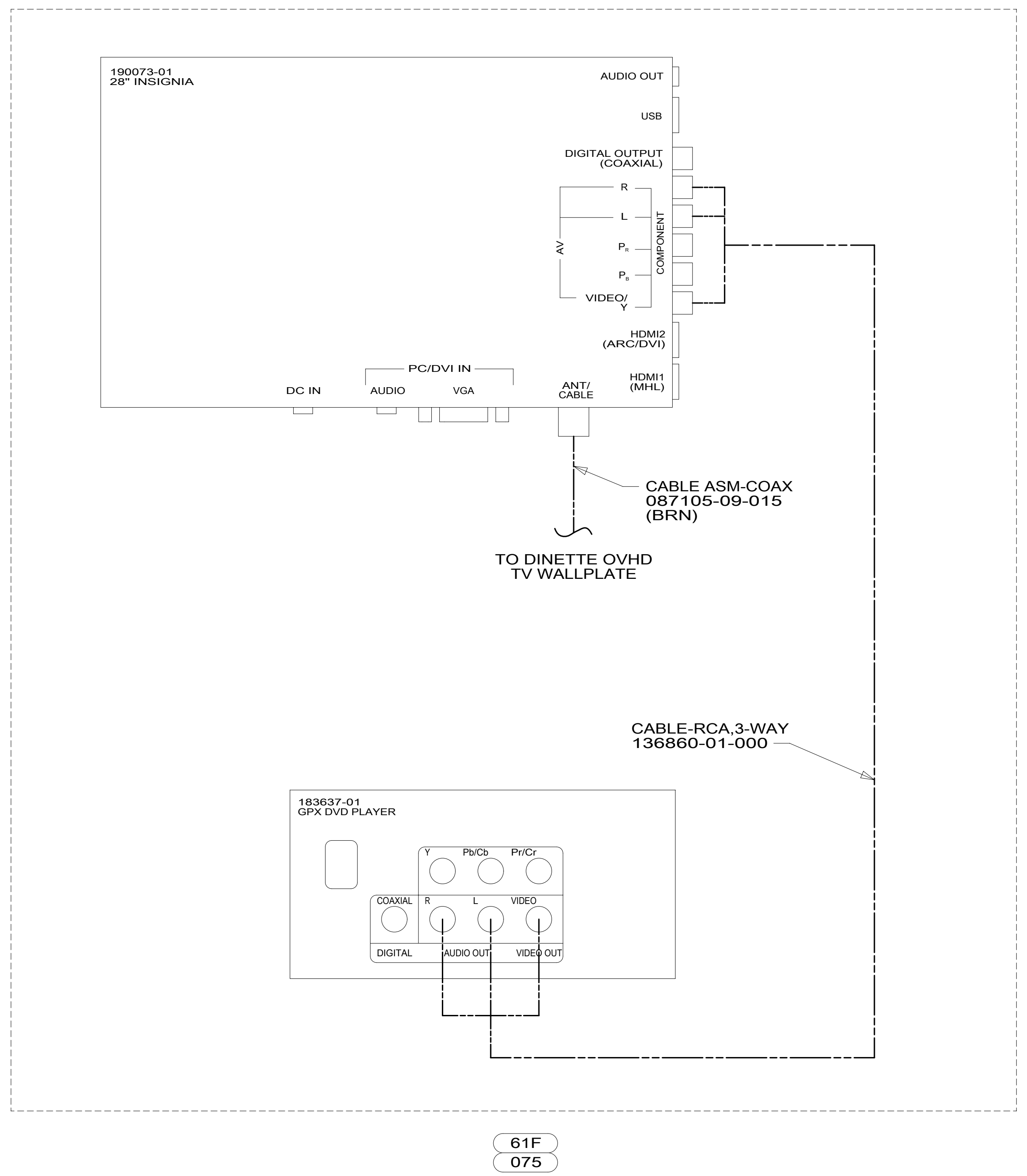
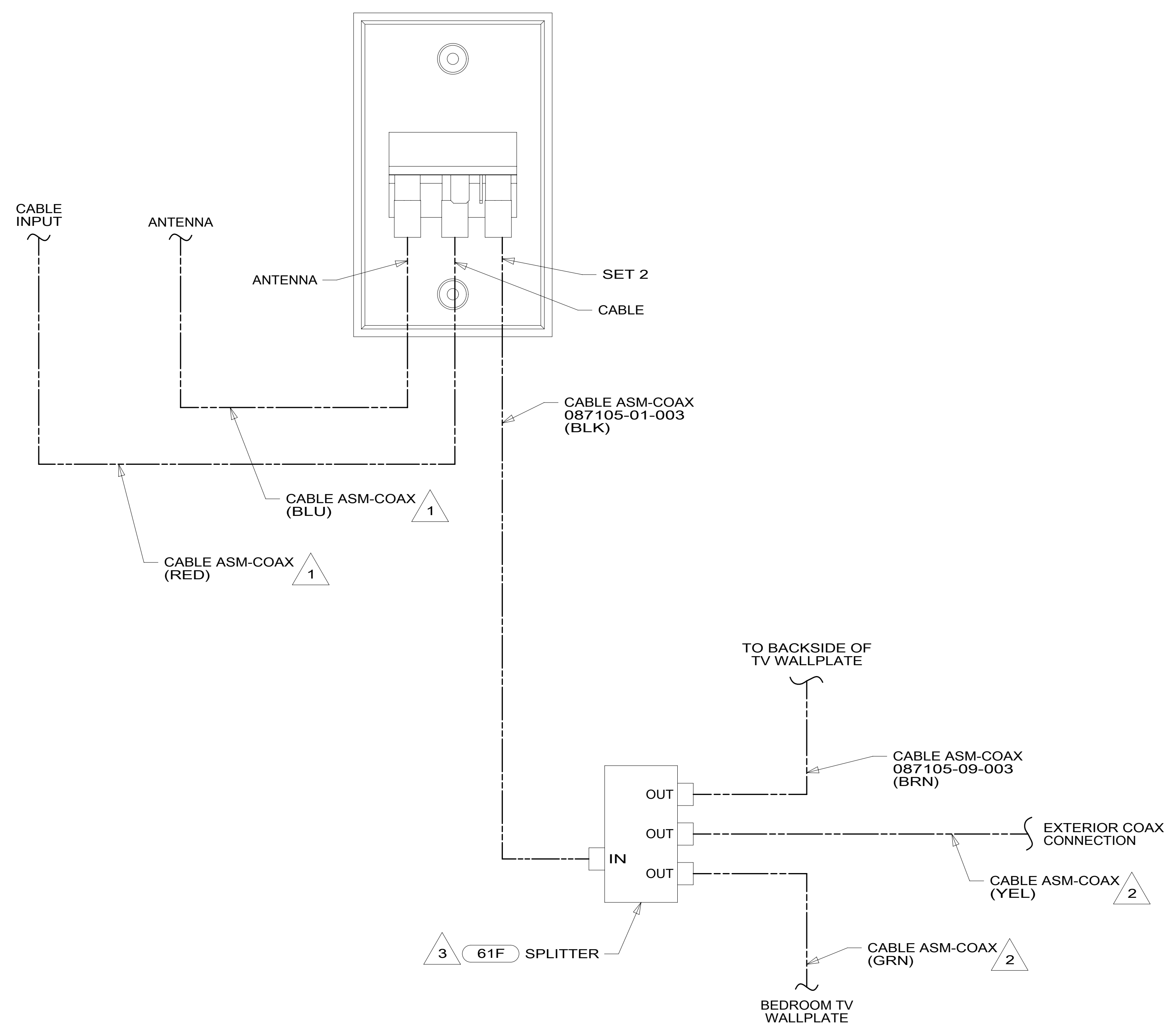
SHEET 3 PART NO. **189831** REV

1 23-Oct-2015

FOR ELECTRICAL TORQUE SPECIFICATIONS SEE DWG NO. 128783-01-000

FOR ELECTRICAL CALLOUTS SEE DWG NO. 121339-01-000

\*189831\*



- NOTES:
- 3 SEE WIRING INSTL-BODY, 12V FOR ADDITIONAL INFORMATION.
  - 2 COAX CABLE IS PART OF WIRE ASM-RIGHT.
  - 1 COAX CABLE IS PART OF WIRE ASM-ROOF.

DETAIL DA

FOR ELECTRICAL TORQUE SPECIFICATIONS SEE DWG NO. 128783-01-000

FOR ELECTRICAL CALLOUTS SEE DWG NO. 121339-01-000

- 075 CONVENIENCE & APPEARANCE PKG
- 61F TV(FRONT)-28" COLOR STEREO
- 265 CODES/STANDARDS-CSA/CMVSS
- 1B1 CODES/STANDARDS USA

1B1 265

FIRST USED

**15 300-SERIES**

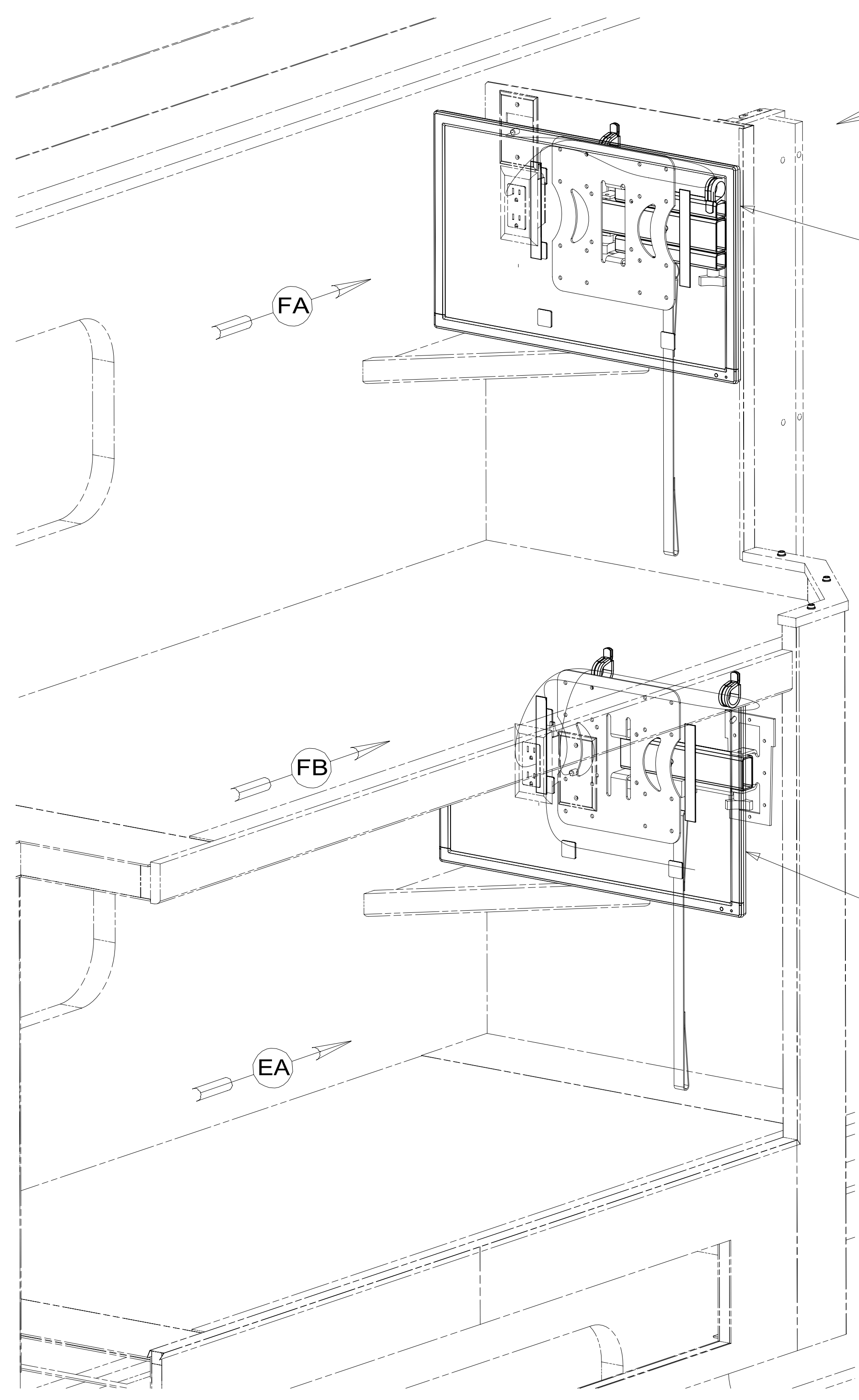
DO NOT SCALE DRAWING

TITLE: **WIRING INSTL-TV/DVD**

SHEET 4 PART NO **189831** REV

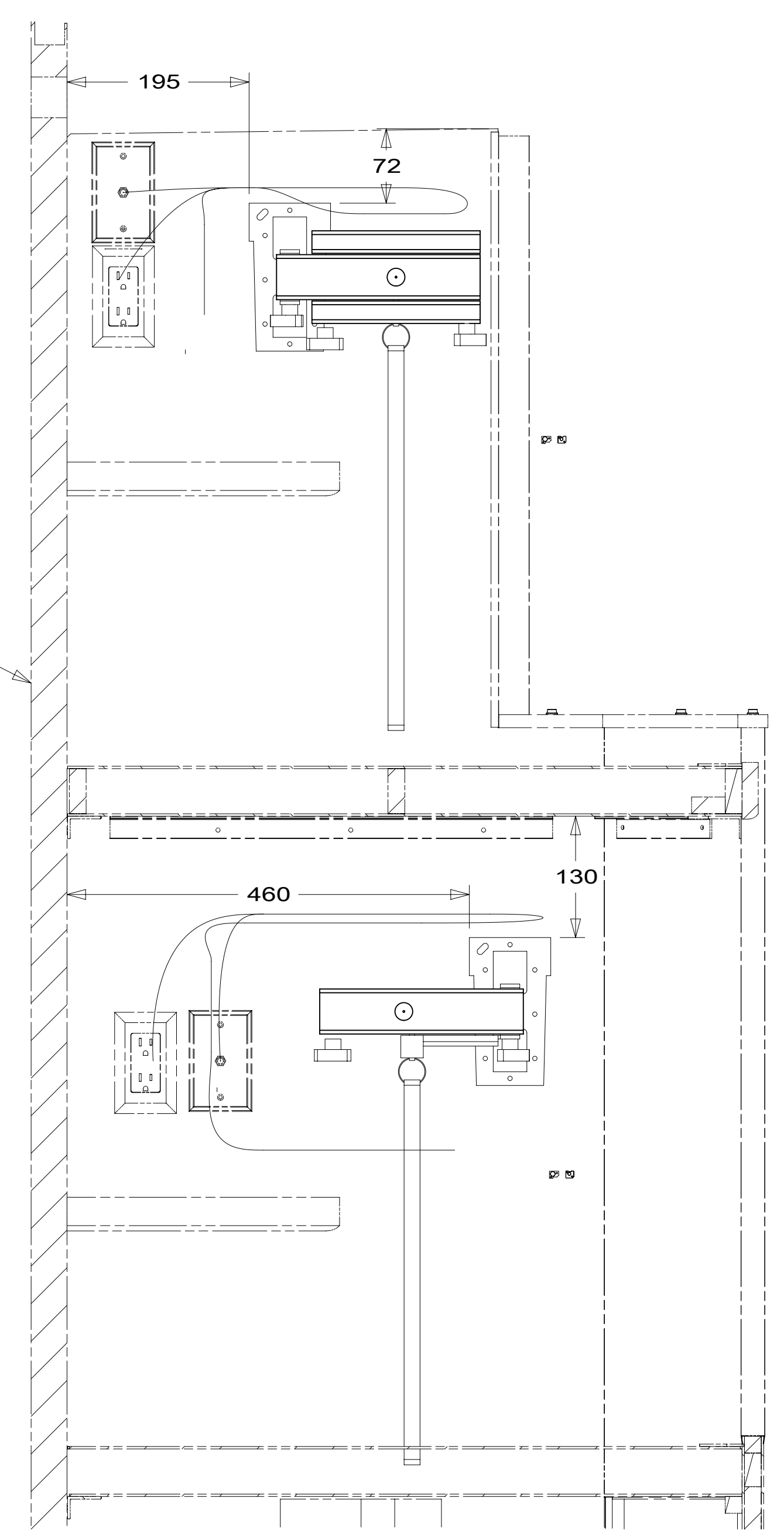
1 23-Oct-2015

\*189831\*



TV-24", FLAT  
 PANEL ELED, HDTV  
 194363-01-000  
 BRACKET-TV  
 SWING MOUNT  
 184721-02-CHT  
 SCREW  
 000G67-10-12U (6)  
 PLATE-MOUNTING, TV  
 191131-06-CHT  
 NUT  
 000D65-10-00U  
 SCREW  
 0MG02U-04-010 (4)  
 SCREW  
 G11-08-024 (2)

TV-24", FLAT  
 PANEL ELED, HDTV  
 194363-01-000  
 BRACKET-TV  
 SWING MOUNT  
 184721-03-CHT  
 SCREW  
 000G67-10-12U (6)  
 PLATE-MOUNTING, TV  
 191131-06-CHT  
 NUT  
 000D65-10-00U  
 SCREW  
 0MG02U-04-010 (4)  
 SCREW  
 G11-08-024 (2)



VIEW EA  
 (TVS NOT SHOWN)

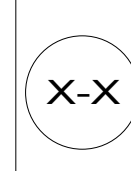
- 1JW TV 2-22" BUNK COLOR W/REMOTE
- 265 CODES/STANDARDS-CSA/CMVSS
- 1B1 CODES/STANDARDS USA

1B1 265 1JW

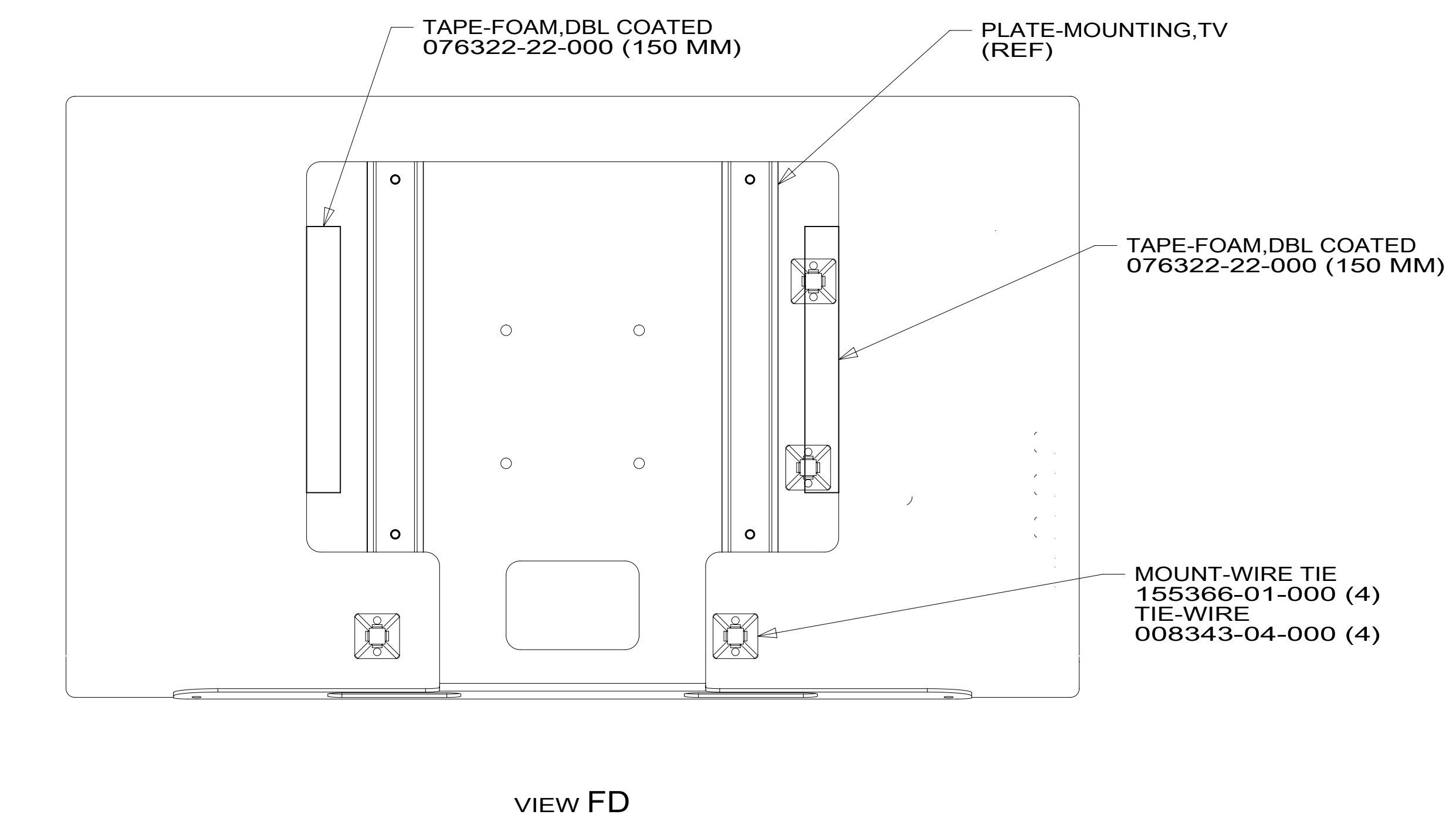
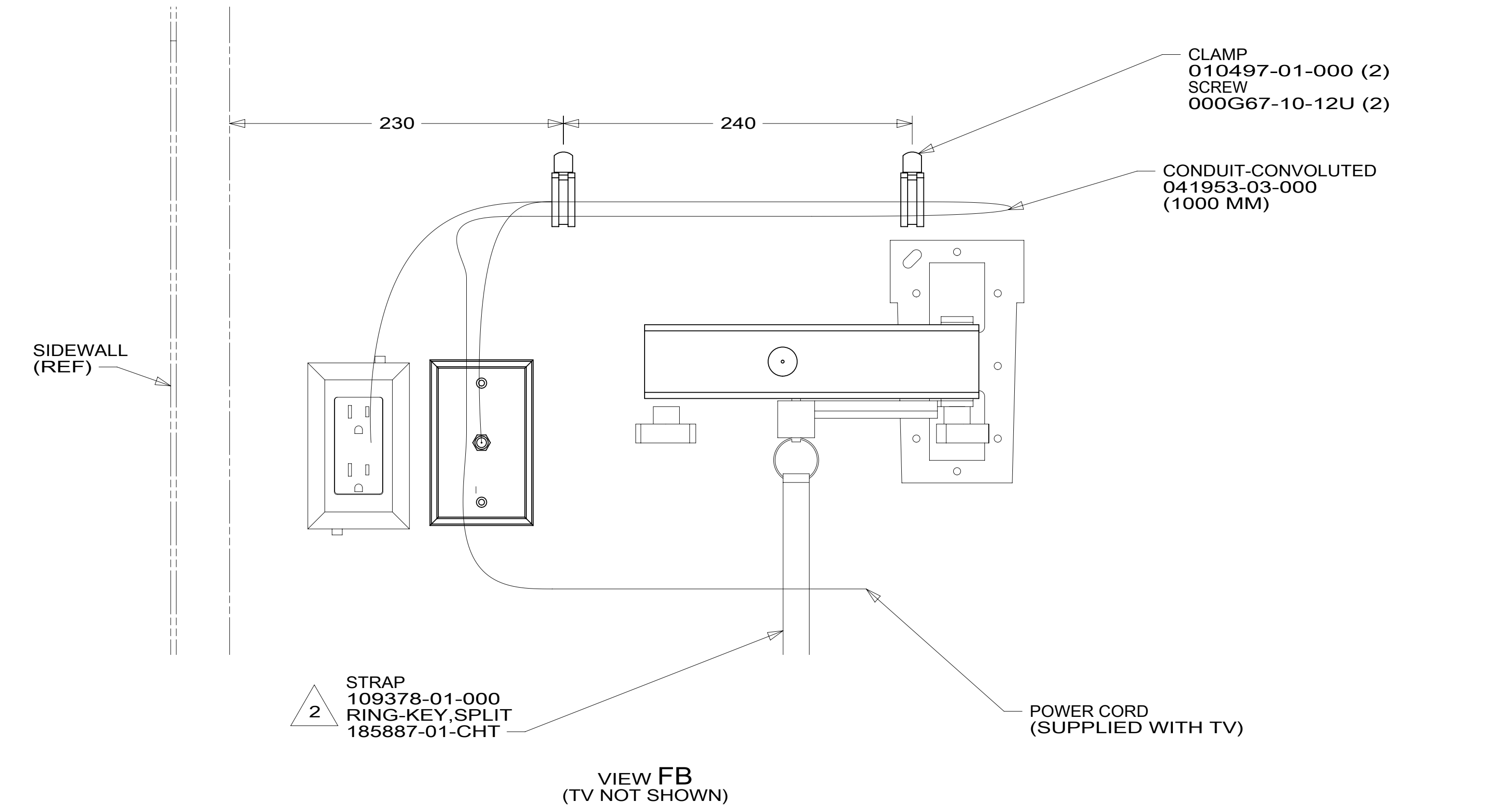
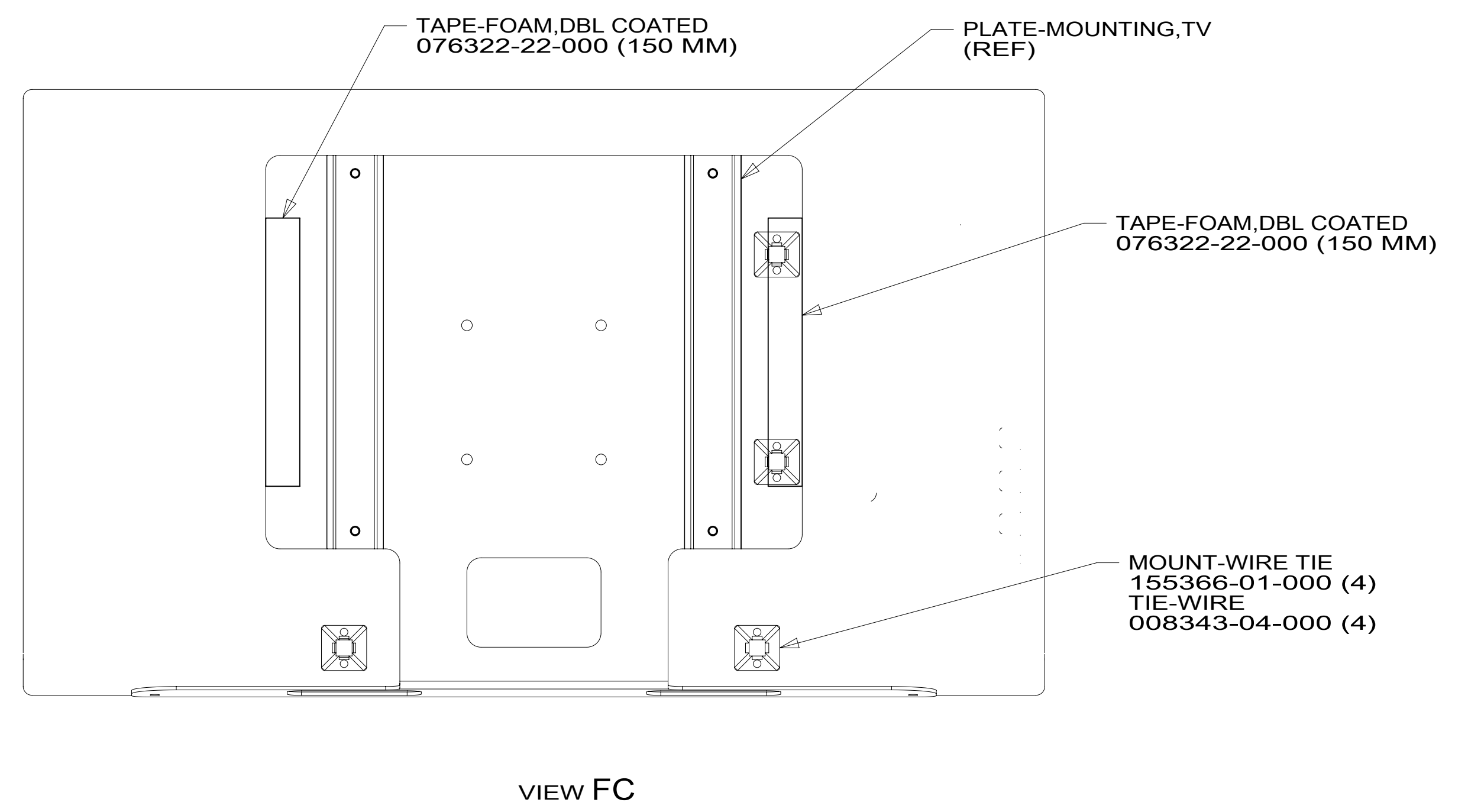
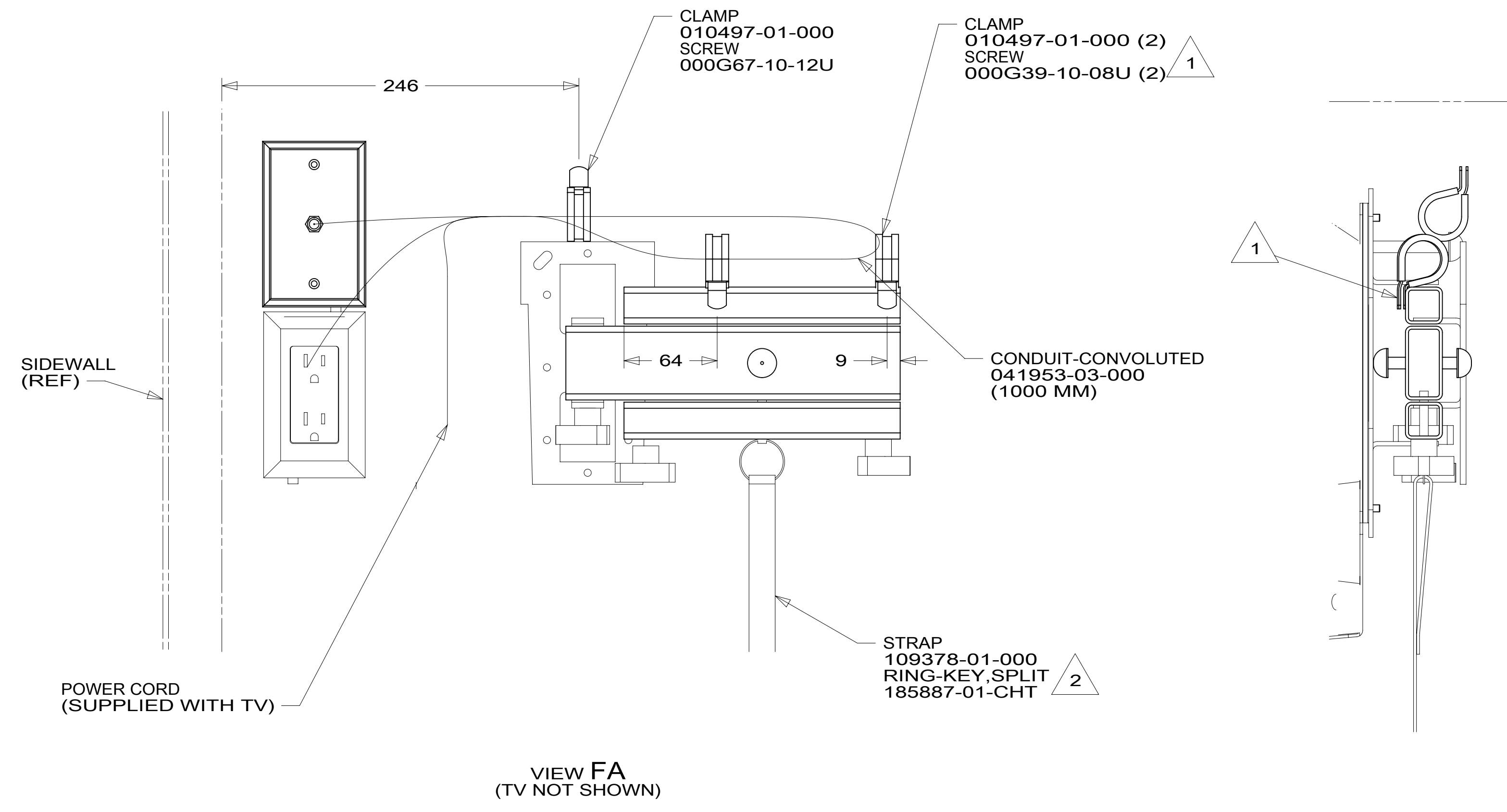
FIRST USED	
<b>15 300-SERIES</b>	
DO NOT SCALE DRAWING	
TITLE:	
<b>WIRING INSTL-TV/DVD</b>	
SHEET 5	PART NO. <b>189831</b> REV

FOR ELECTRICAL  
 TORQUE  
 SPECIFICATIONS  
 SEE DWG NO.  
 128783-01-000

FOR  
 ELECTRICAL  
 CALLOUTS  
 SEE DWG NO.  
 121339-01-000



\*189831\*



- NOTES:
- 3 APPLY TAPE TO BACK SURFACE OF TV BETWEEN TV AND MOUNTING PLATE.
  - 2 REMOVE AND DISCARD STRAP AND RING PROVIDED WITH TV BRACKET. REPLACE WITH THE STRAP AND RING.
  - 1 MOUNT CLAMP TO SWING ARM AS SHOWN.

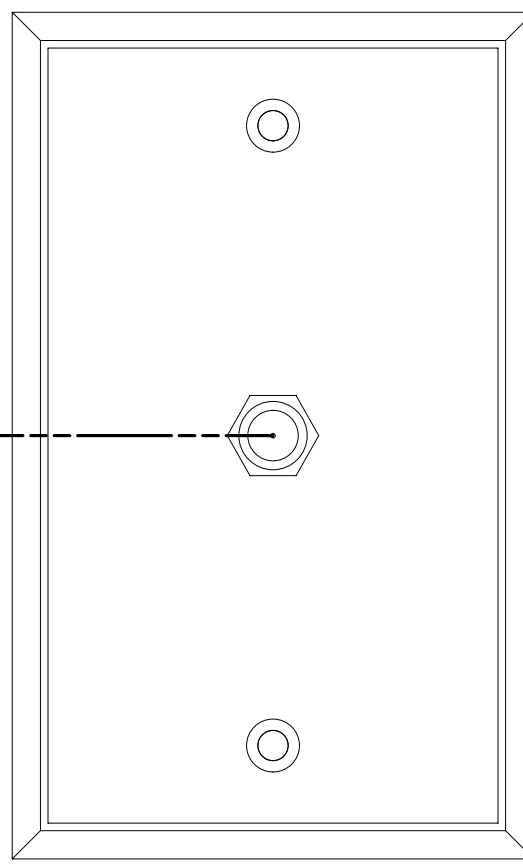
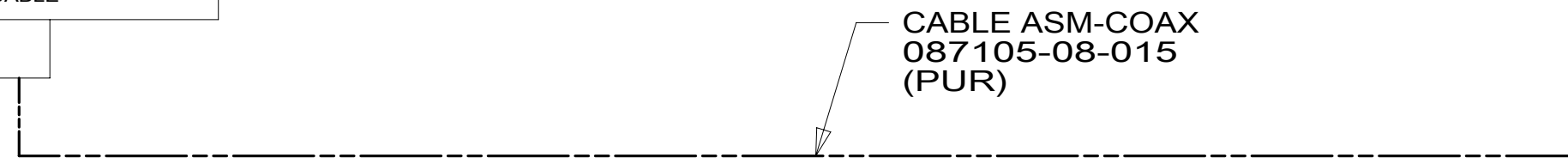
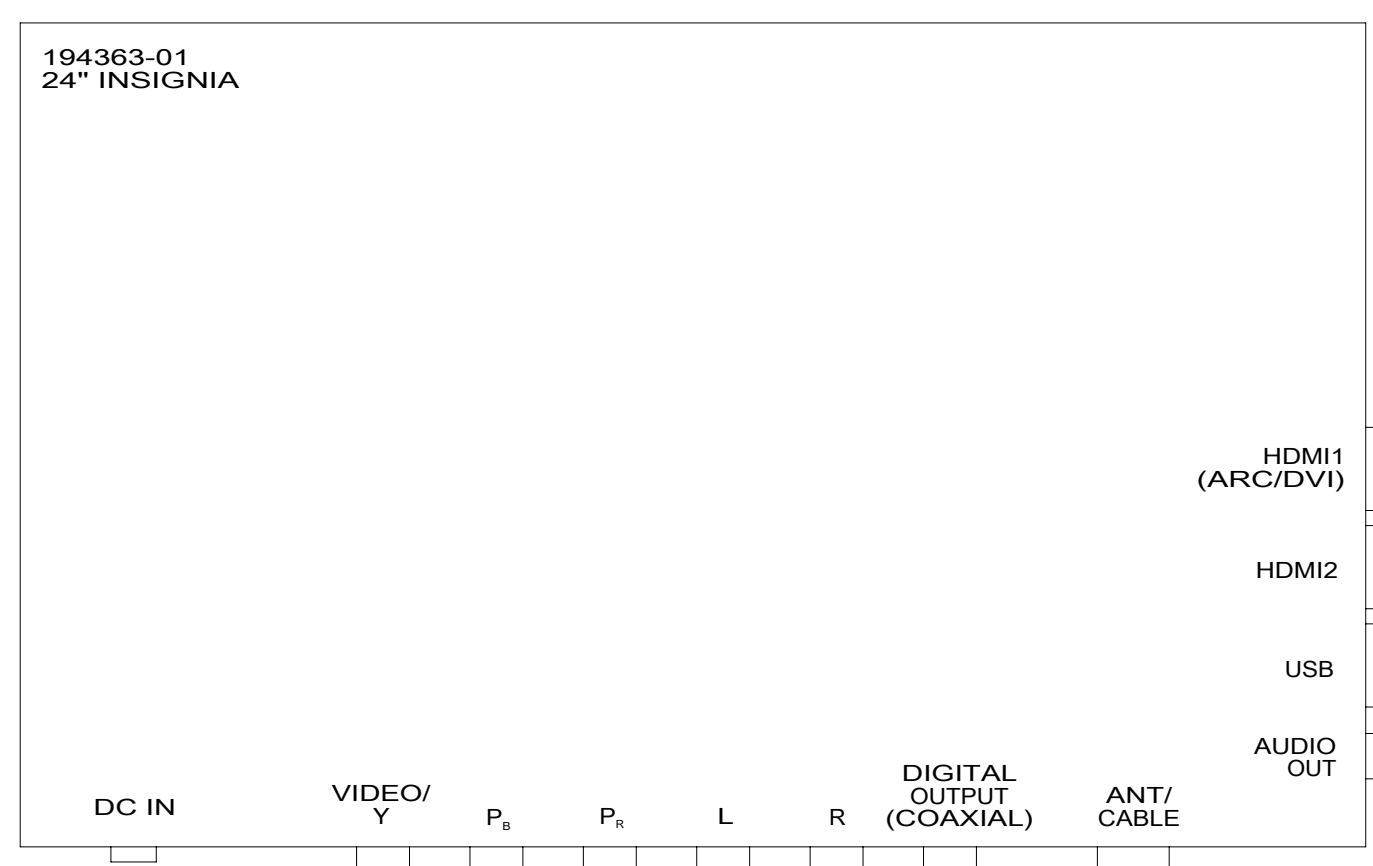
- 1JW TV 2-22" BUNK COLOR W/REMOTE
- 265 CODES/STANDARDS-CSA/CMVSS
- 1B1 CODES/STANDARDS USA

FIRST USED	
<b>15 300-SERIES</b>	
DO NOT SCALE DRAWING	
TITLE: <b>WIRING INSTL-TV/DVD</b>	
SHEET 6	PART NO <b>189831</b> REV
1 23-Oct-2015	

FOR ELECTRICAL TORQUE SPECIFICATIONS SEE DWG NO. 128783-01-000

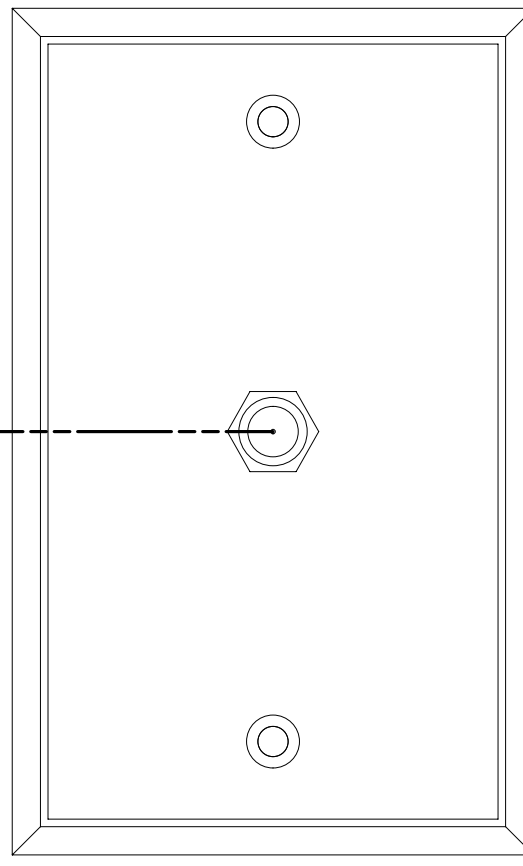
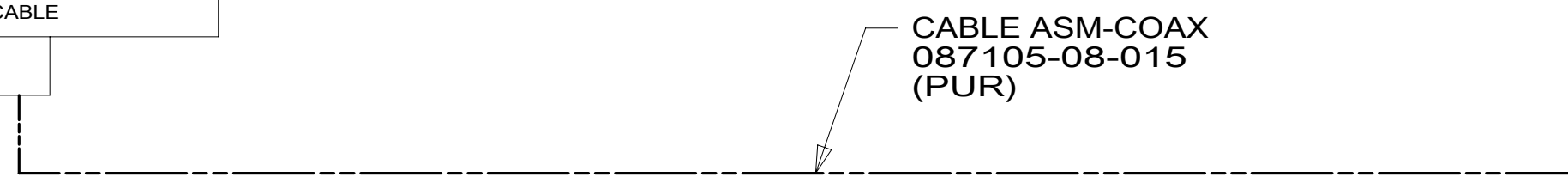
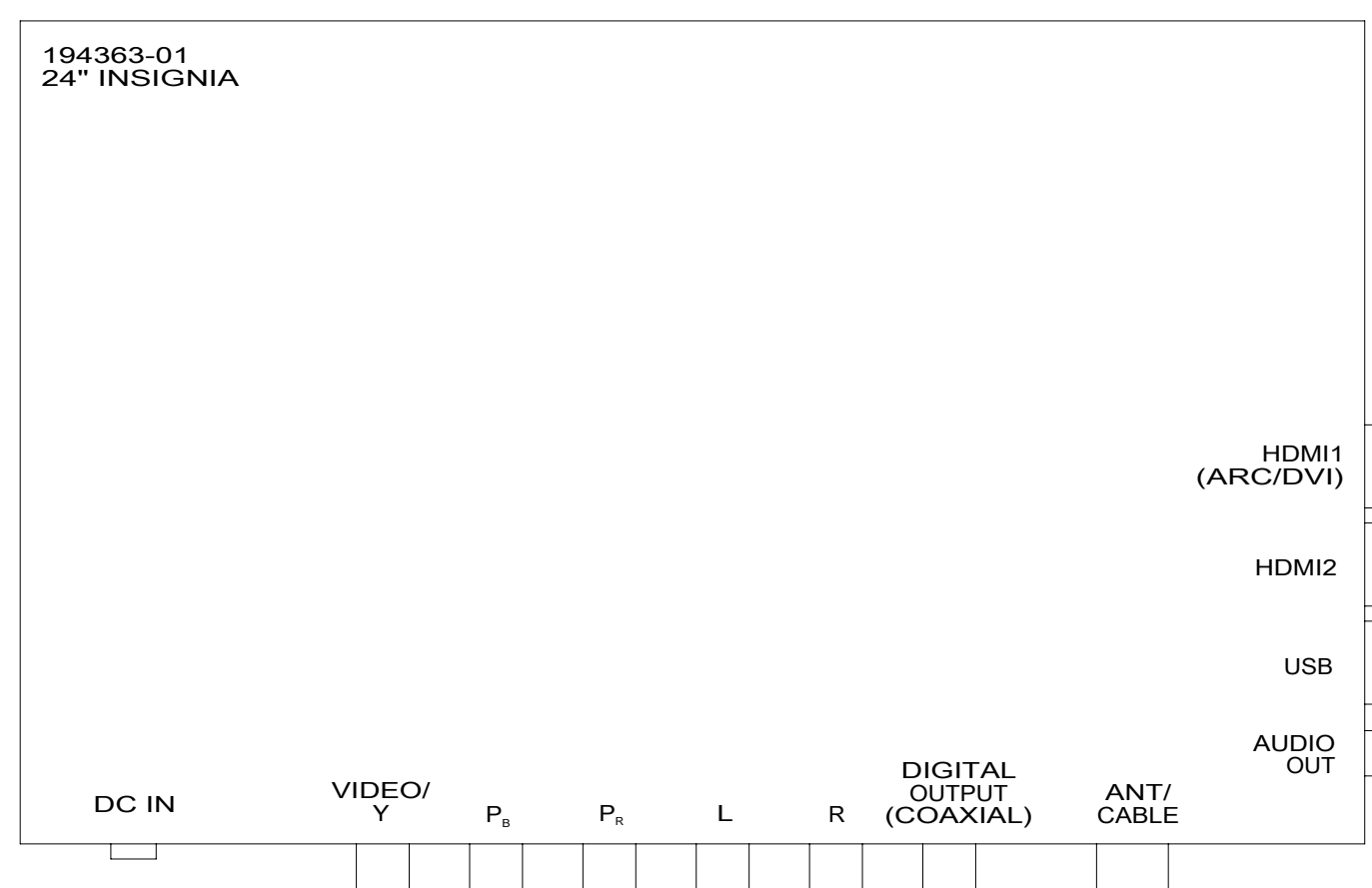
FOR ELECTRICAL CALLOUTS SEE DWG NO. 121339-01-000

\*189831\*



UPPER BUNK TV WALLPLATE

DETAIL GA



LOWER BUNK TV WALLPLATE

DETAIL GB

- 1JW TV 2-22" BUNK COLOR W/REMOTE
- 265 CODES/STANDARDS-CSA/CMVSS
- 1B1 CODES/STANDARDS USA

1B1 265 1JW

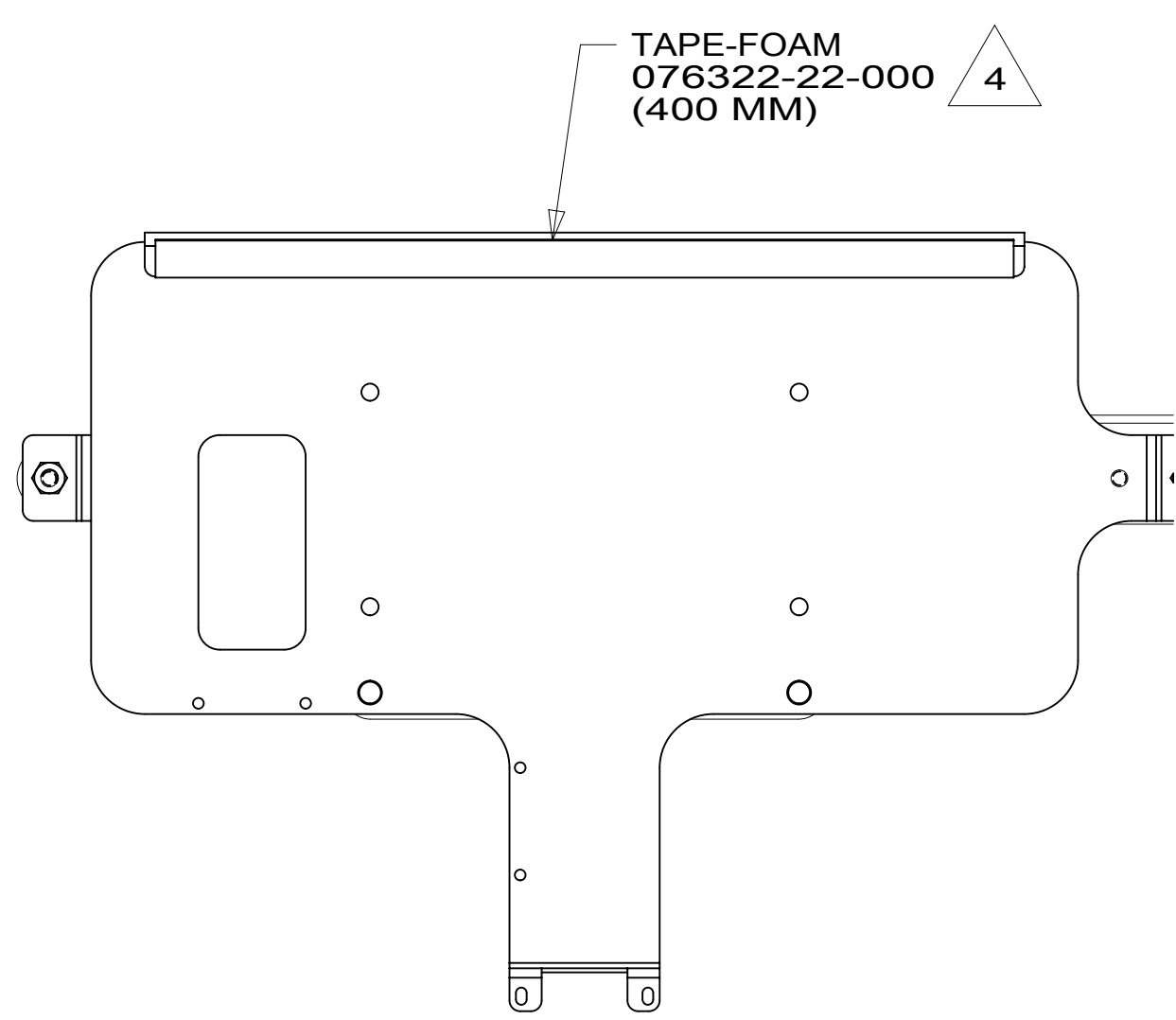
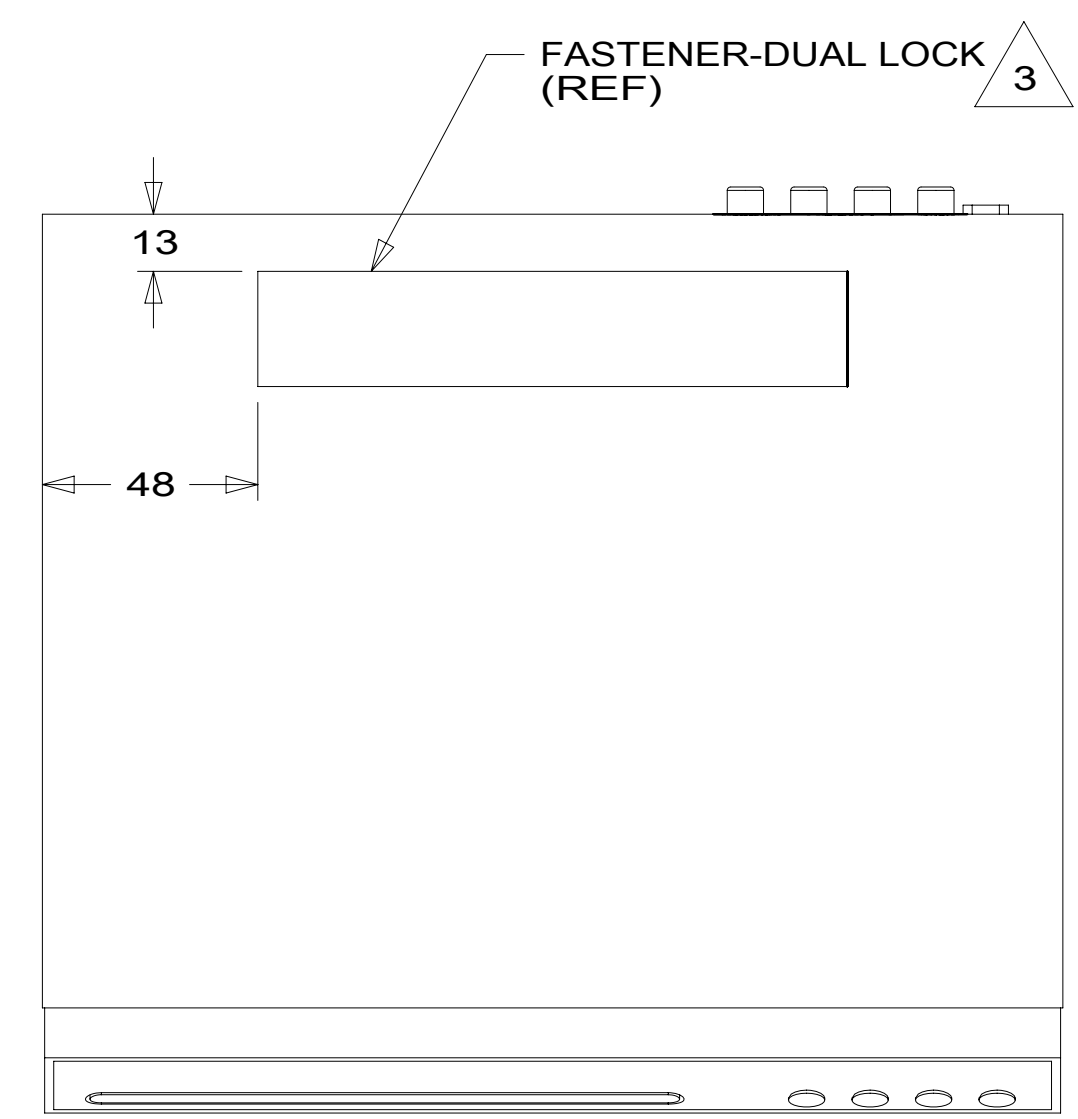
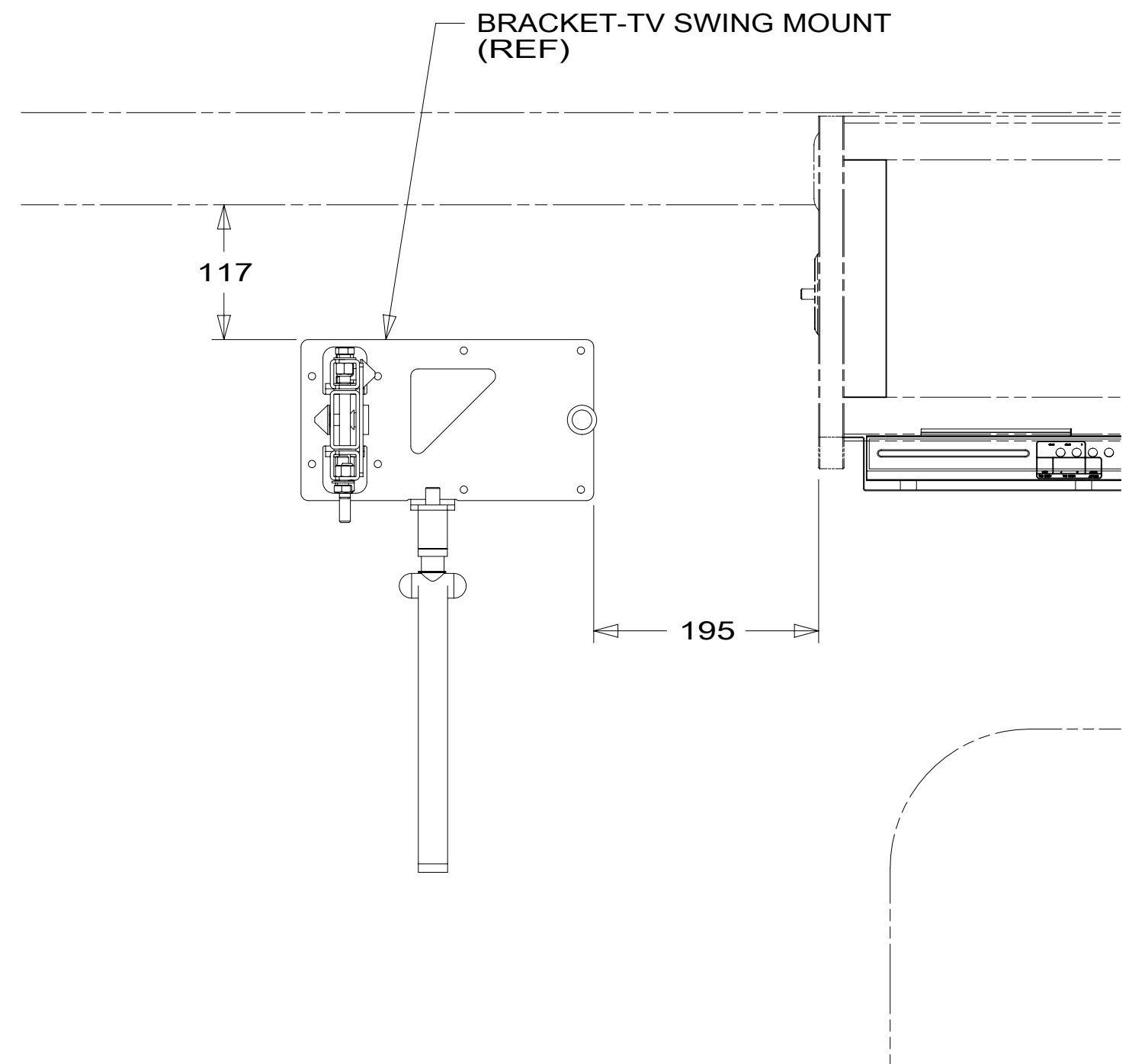
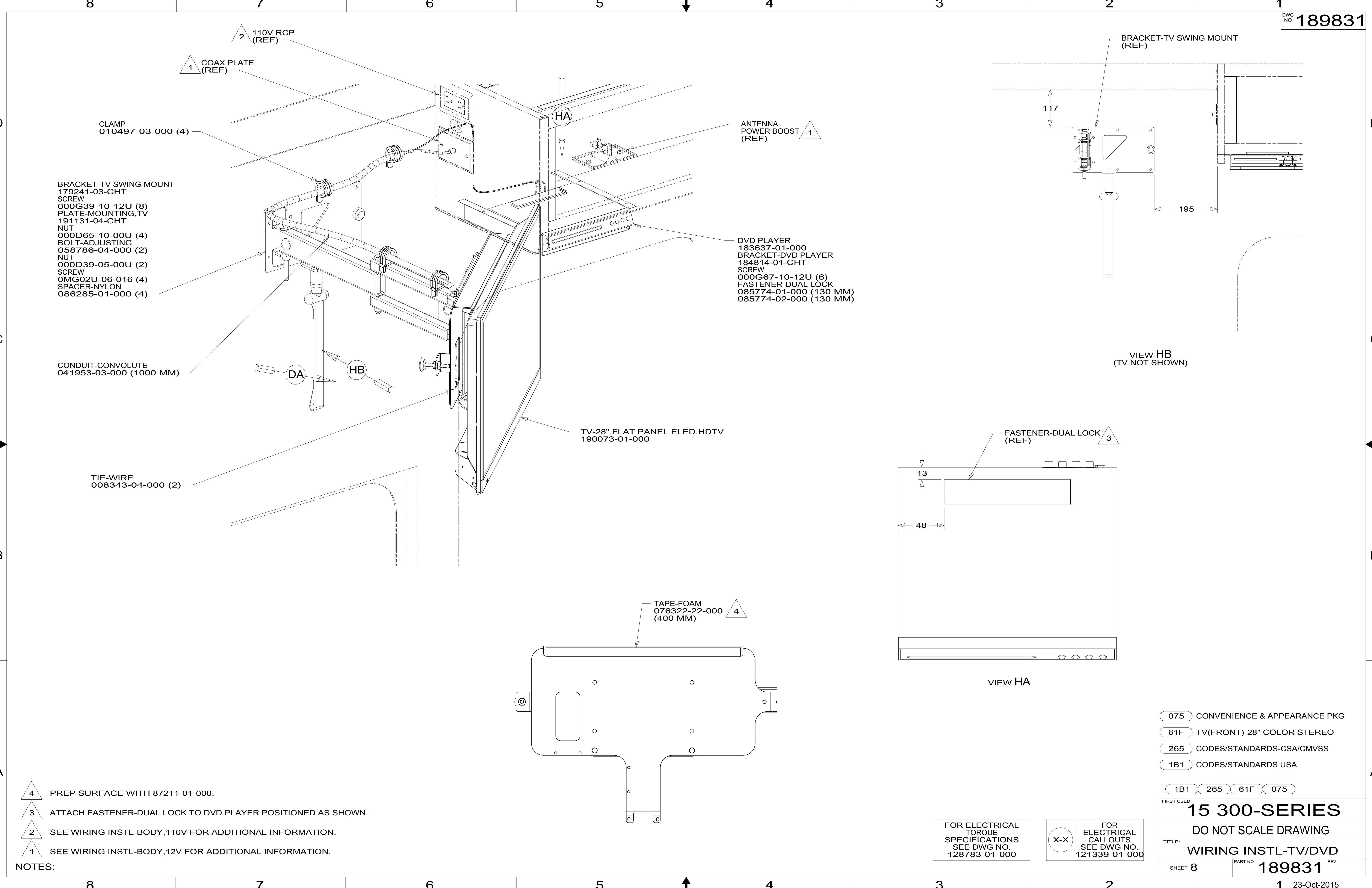
FIRST USED	
<b>15 300-SERIES</b>	
DO NOT SCALE DRAWING	
TITLE: <b>WIRING INSTL-TV/DVD</b>	
SHEET 7	PART NO <b>189831</b> REV

FOR ELECTRICAL TORQUE SPECIFICATIONS SEE DWG NO. 128783-01-000

X-X FOR ELECTRICAL CALLOUTS SEE DWG NO. 121339-01-000

\*189831\*





- BRACKET-TV SWING MOUNT 179241-03-CHT
- SCREW 000G39-10-12U (8)
- PLATE-MOUNTING, TV 191131-04-CHT
- NUT 000D65-10-00U (4)
- BOLT-ADJUSTING 058786-04-000 (2)
- NUT 000D39-05-00U (2)
- SCREW 0MG02U-06-016 (4)
- SPACER-NYLON 086285-01-000 (4)

- DVD PLAYER 183637-01-000
- BRACKET-DVD PLAYER 184814-01-CHT
- SCREW 000G67-10-12U (6)
- FASTENER-DUAL LOCK 085774-01-000 (130 MM)
- 085774-02-000 (130 MM)

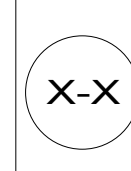
- NOTES:
- 4 PREP SURFACE WITH 87211-01-000.
  - 3 ATTACH FASTENER-DUAL LOCK TO DVD PLAYER POSITIONED AS SHOWN.
  - 2 SEE WIRING INSTL-BODY, 110V FOR ADDITIONAL INFORMATION.
  - 1 SEE WIRING INSTL-BODY, 12V FOR ADDITIONAL INFORMATION.

- 075 CONVENIENCE & APPEARANCE PKG
- 61F TV(FRONT)-28" COLOR STEREO
- 265 CODES/STANDARDS-CSA/CMVSS
- 1B1 CODES/STANDARDS USA

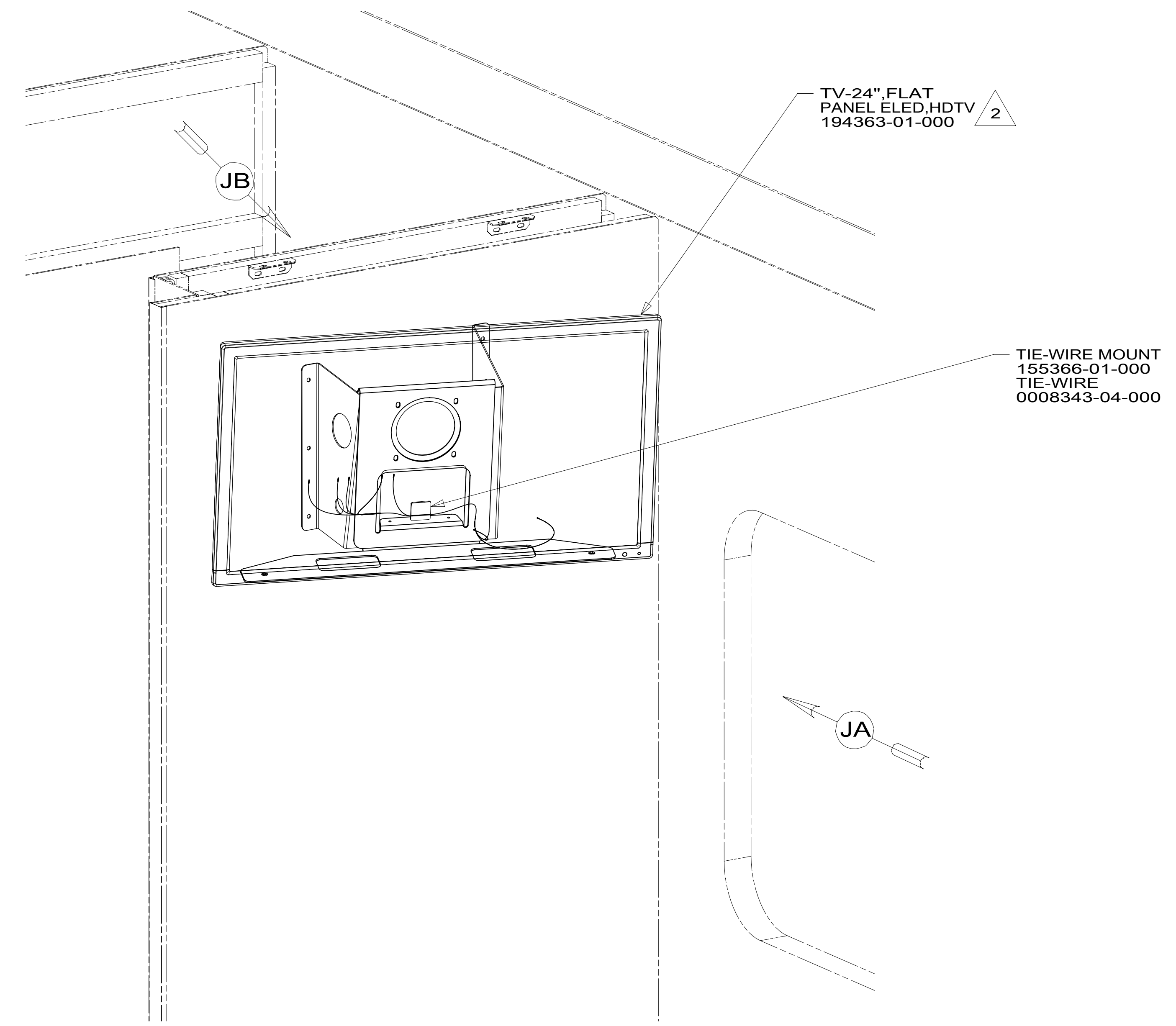
1B1	265	61F	075
FIRST USED			
<b>15 300-SERIES</b>			
DO NOT SCALE DRAWING			
TITLE: <b>WIRING INSTL-TV/DVD</b>			
SHEET 8	PART NO. <b>189831</b>	REV	

FOR ELECTRICAL TORQUE SPECIFICATIONS SEE DWG NO. 128783-01-000

FOR ELECTRICAL CALLOUTS SEE DWG NO. 121339-01-000

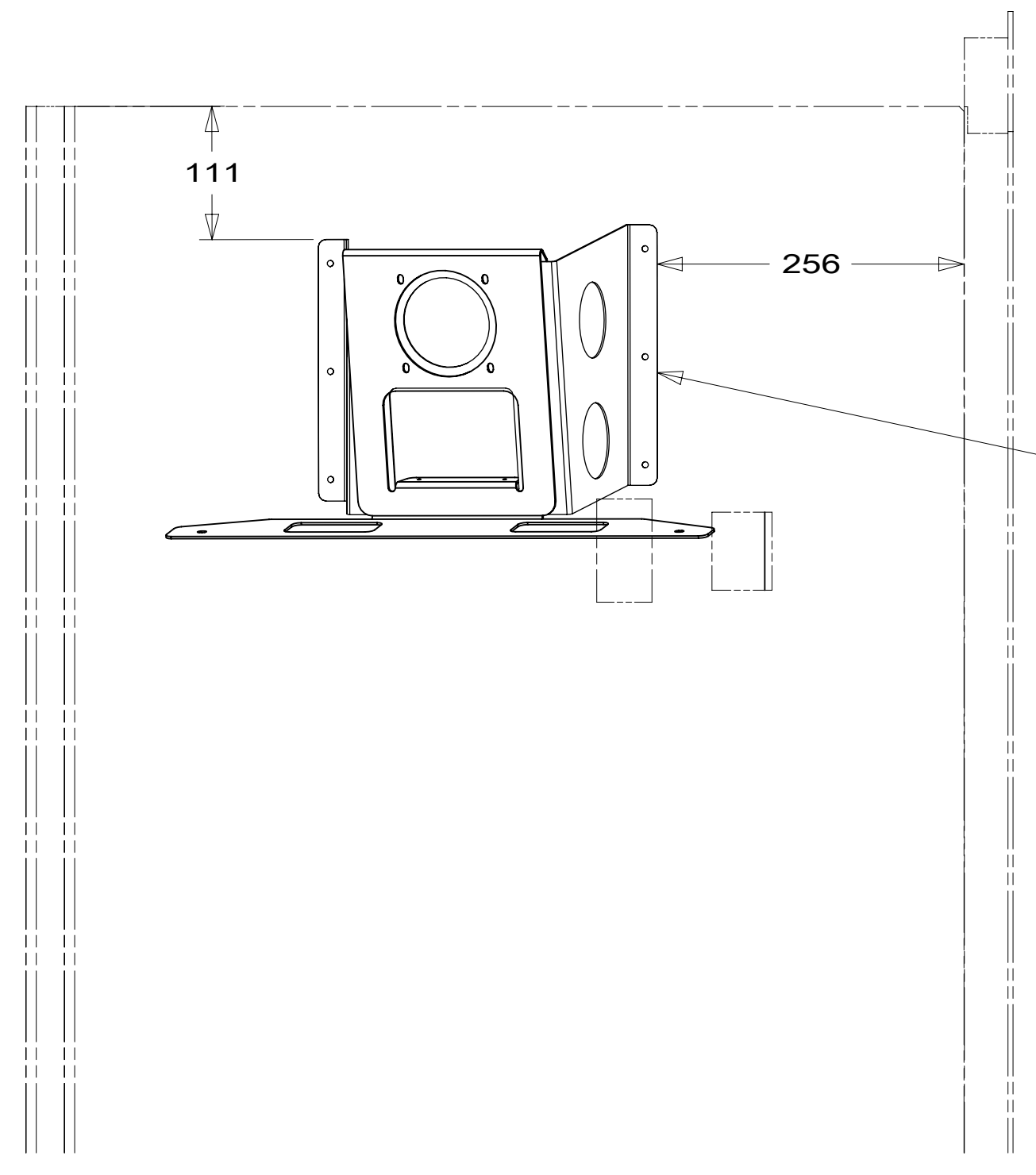


\*189831\*



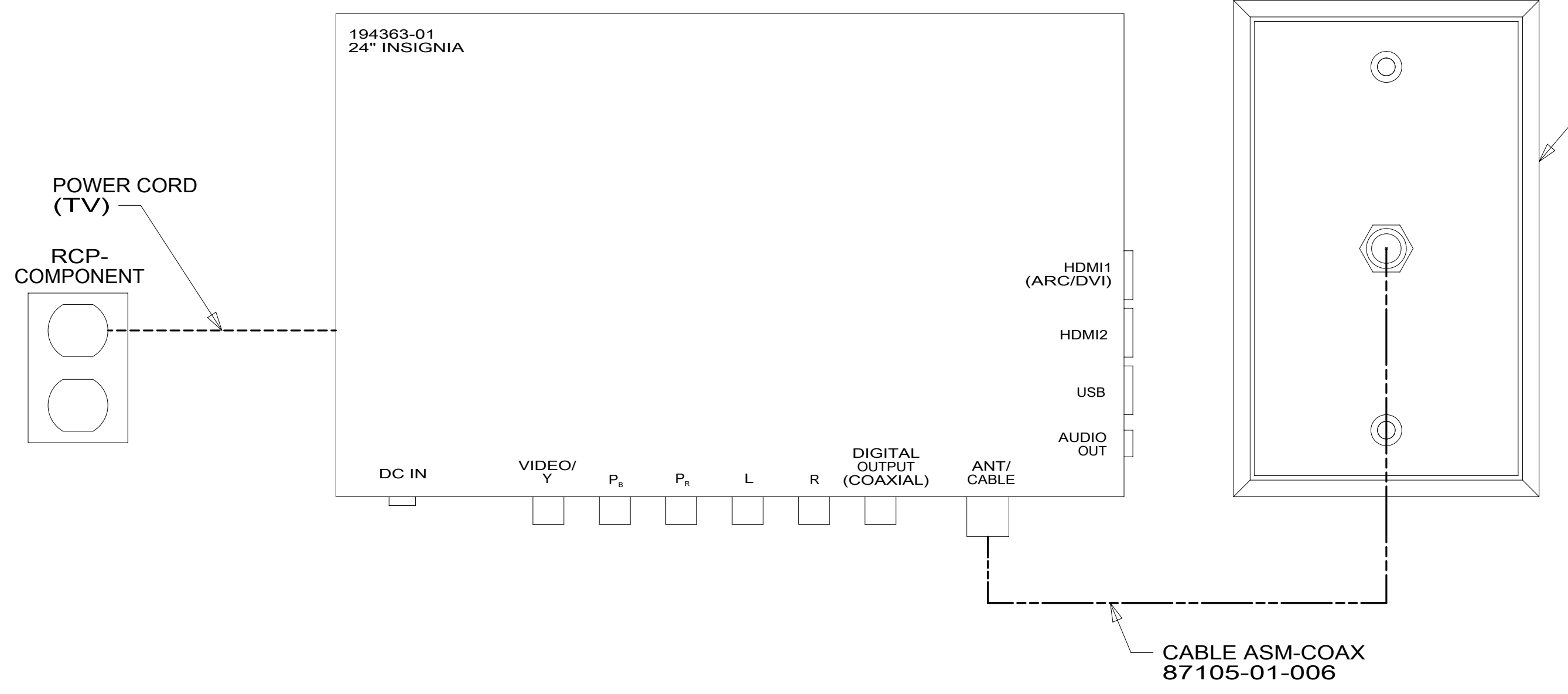
TV-24", FLAT  
PANEL ELED, HDTV  
194363-01-000 2

TIE-WIRE MOUNT  
155366-01-000  
TIE-WIRE  
0008343-04-000

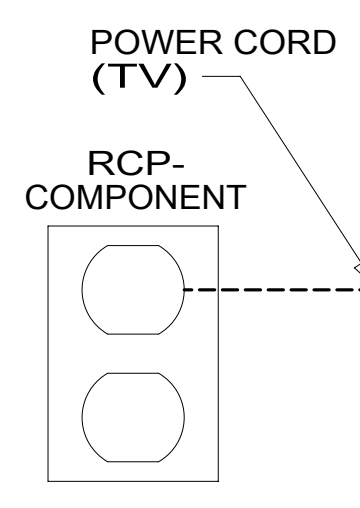


BRACKET-TV  
158394-23-CHT  
SCREW  
000G39-10-16U (6)  
PLATE-MOUNTING  
163321-10-CHT  
SCREW  
OMG02U-04-010 (4)  
SCREW  
(SUPPLIED WITH TV)

VIEW JA  
(TV NOT SHOWN)



194363-01  
24" INSIGNIA



CABLE ASM-COAX  
87105-01-006

VIEW JB

- 68B TV (REAR)-22"COLOR, STEREO
- 265 CODES/STANDARDS-CSA/CMVSS
- 1B1 CODES/STANDARDS USA

1B1 265 68B

FIRST USED	
<b>15 300-SERIES</b>	
DO NOT SCALE DRAWING	
TITLE: <b>WIRING INSTL-TV/DVD</b>	
SHEET 9	PART NO. <b>189831</b> REV
1 23-Oct-2015	

2 USE SCREWS PROVIDED WITH TV TO ATTACH TV TO MOUNTING PLATE.

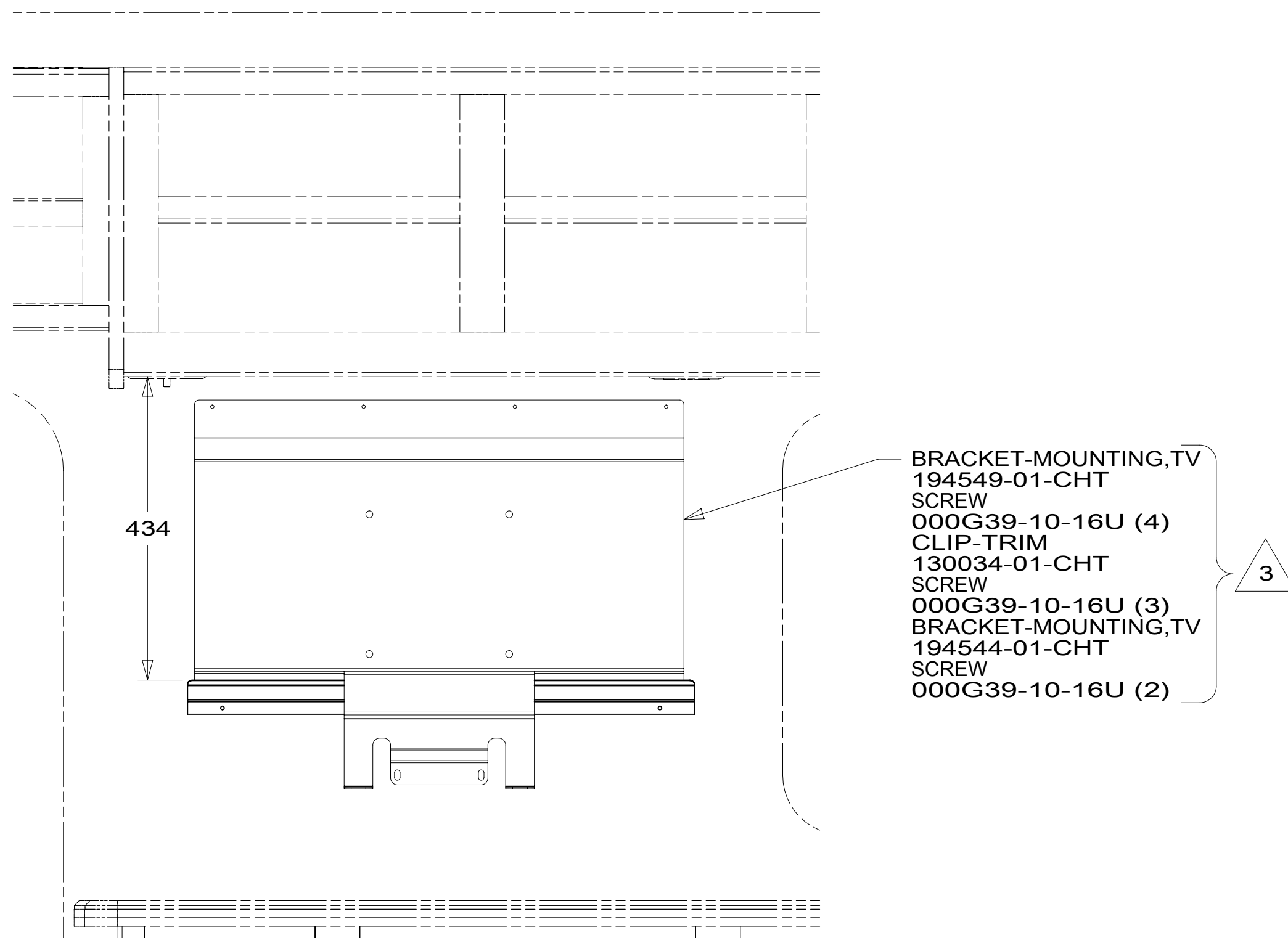
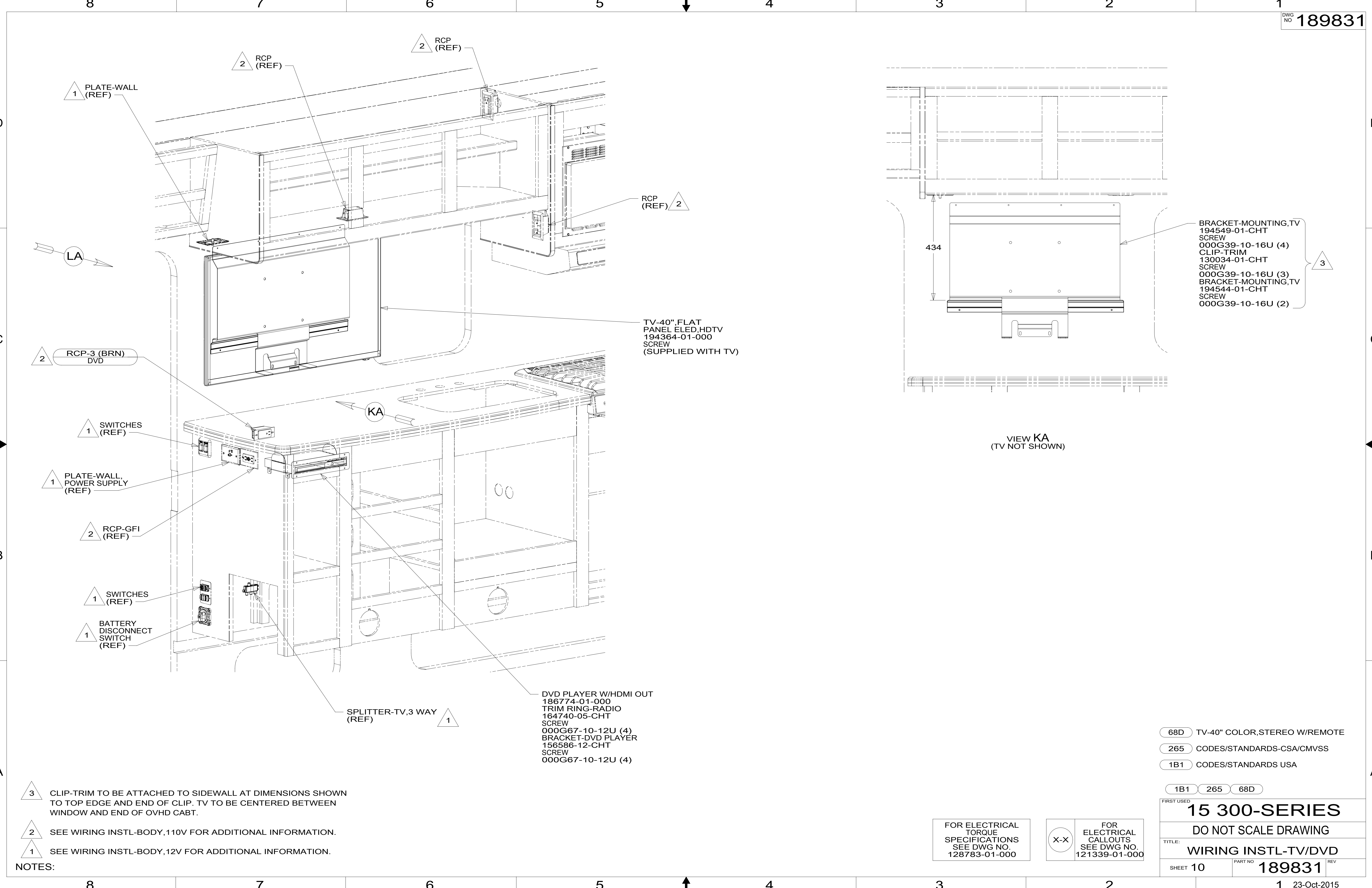
1 SEE WIRING INSTL-BODY, 12V FOR ADDITIONAL INFORMATION.

NOTES:

FOR ELECTRICAL  
TORQUE  
SPECIFICATIONS  
SEE DWG NO.  
128783-01-000

X-X FOR  
ELECTRICAL  
CALLOUTS  
SEE DWG NO.  
121339-01-000

\*189831\*



VIEW KA  
(TV NOT SHOWN)

- NOTES:
- 3 CLIP-TRIM TO BE ATTACHED TO SIDEWALL AT DIMENSIONS SHOWN TO TOP EDGE AND END OF CLIP. TV TO BE CENTERED BETWEEN WINDOW AND END OF OVHD CABT.
  - 2 SEE WIRING INSTL-BODY, 110V FOR ADDITIONAL INFORMATION.
  - 1 SEE WIRING INSTL-BODY, 12V FOR ADDITIONAL INFORMATION.

DVD PLAYER W/HDMI OUT  
186774-01-000  
TRIM RING-RADIO  
164740-05-CHT  
SCREW  
000G67-10-12U (4)  
BRACKET-DVD PLAYER  
156586-12-CHT  
SCREW  
000G67-10-12U (4)

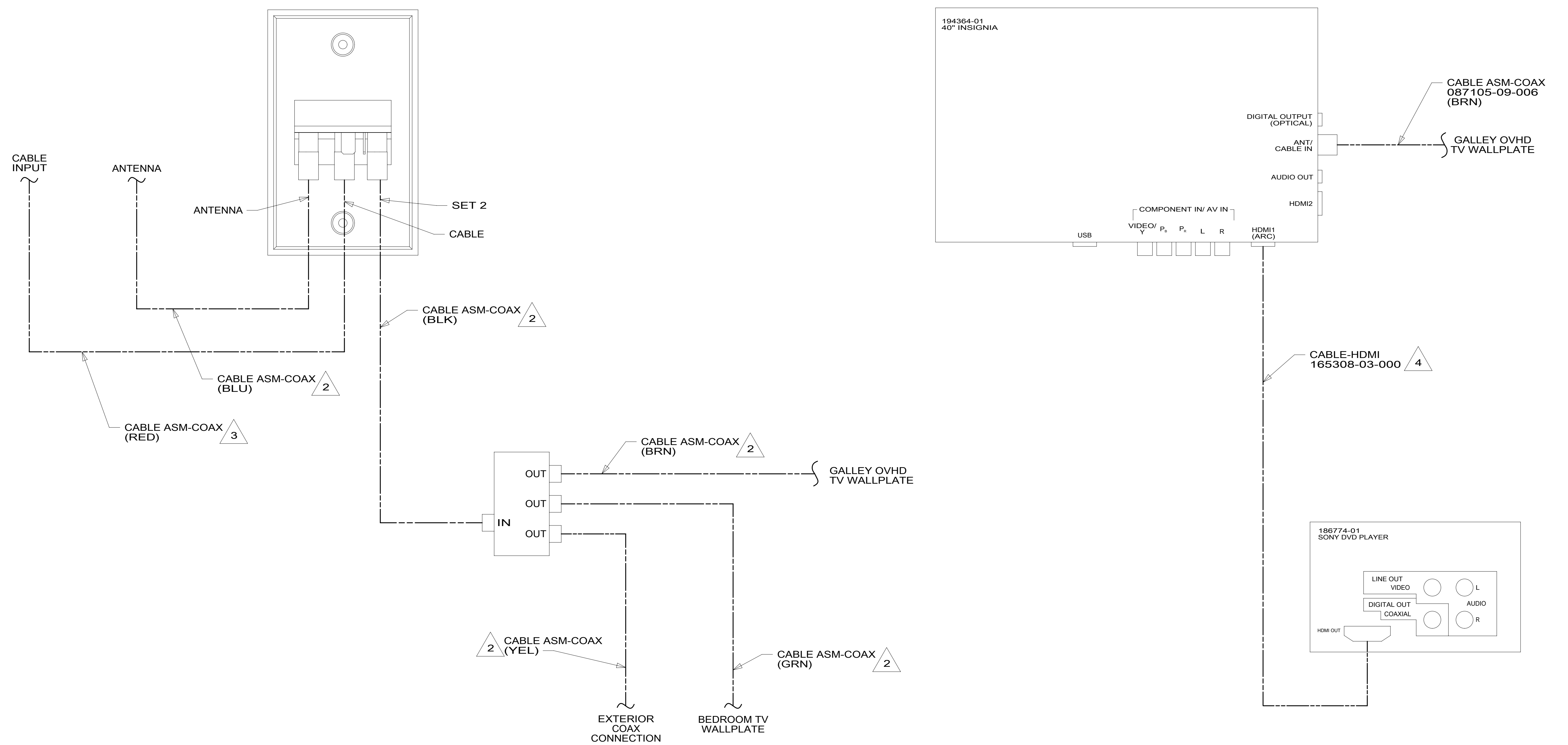
- 68D TV-40" COLOR,STEREO W/REMOTE
- 265 CODES/STANDARDS-CSA/CMVSS
- 1B1 CODES/STANDARDS USA

1B1	265	68D
FIRST USED		
<b>15 300-SERIES</b>		
DO NOT SCALE DRAWING		
TITLE: <b>WIRING INSTL-TV/DVD</b>		
SHEET 10	PART NO. <b>189831</b>	REV
1 23-Oct-2015		

FOR ELECTRICAL TORQUE SPECIFICATIONS SEE DWG NO. 128783-01-000

FOR ELECTRICAL CALLOUTS SEE DWG NO. 121339-01-000

\*189831\*



- NOTES:
- 4 TO BE PULLED THROUGH ROUTED PATH IN SIDEWALL.
  - 3 COAX CABLE IS PART OF WIRE ASM-CHASSIS.
  - 2 COAX CABLE IS PART OF WIRE ASM-RIGHT.
  - 1 SUPPLIED WITH DVD PLAYER.

- 68D TV-40" COLOR,STEREO W/REMOTE
- 265 CODES/STANDARDS-CSA/CMVSS
- 1B1 CODES/STANDARDS USA

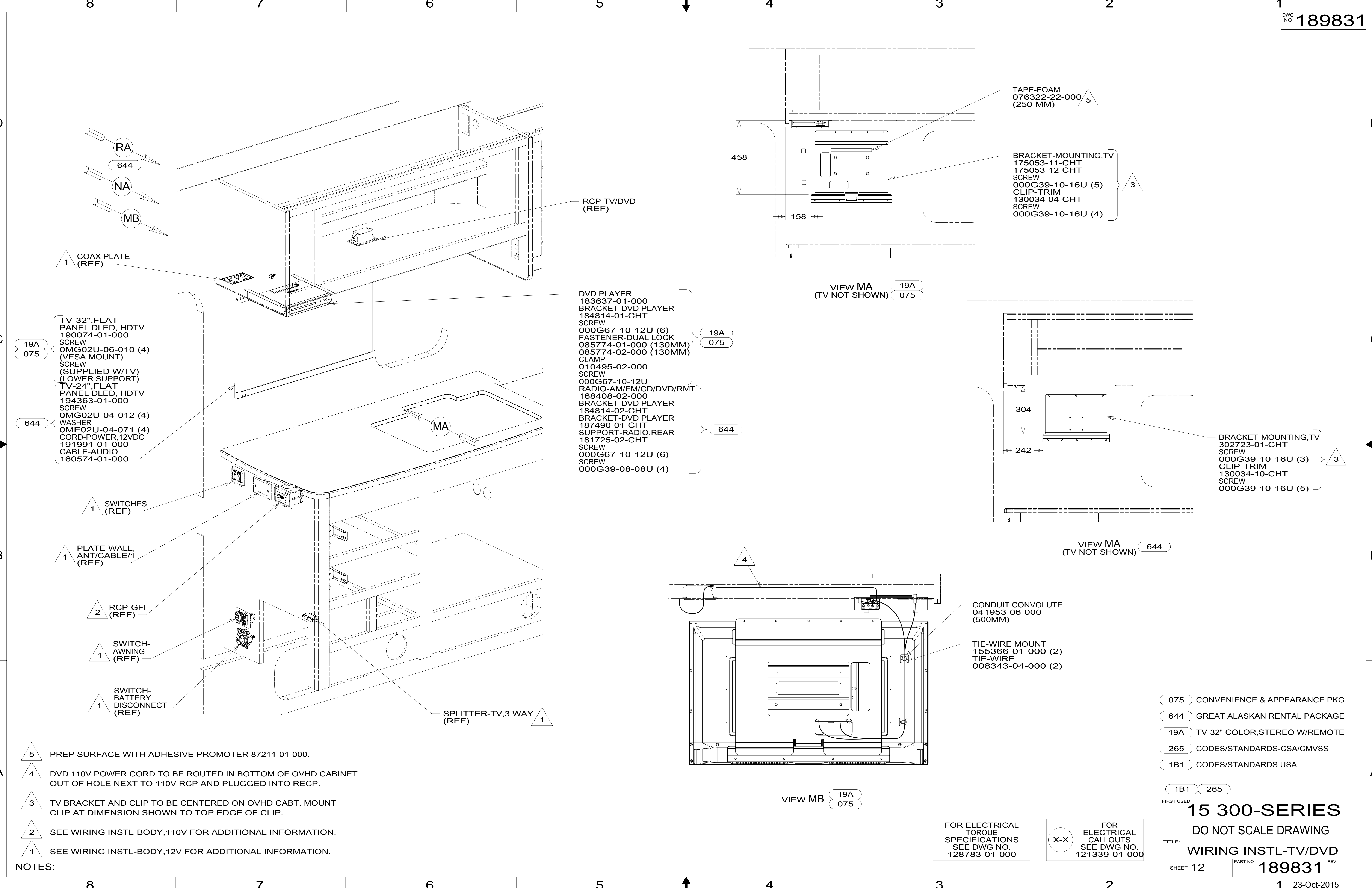
1B1	265	68D
<b>FIRST USED</b>		
<b>15 300-SERIES</b>		
<b>DO NOT SCALE DRAWING</b>		
<b>TITLE: WIRING INSTL-TV/DVD</b>		
SHEET 11	PART NO <b>189831</b>	REV
23-Oct-2015		

FOR ELECTRICAL TORQUE SPECIFICATIONS SEE DWG NO. 128783-01-000

FOR ELECTRICAL CALLOUTS SEE DWG NO. 121339-01-000

DETAIL LA

\*189831\*



- 19A 075 TV-32" FLAT PANEL DLED, HDTV 190074-01-000 SCREW
- OMG02U-06-010 (4) (VESA MOUNT) SCREW (SUPPLIED W/TV) (LOWER SUPPORT)
- TV-24" FLAT PANEL DLED, HDTV 194363-01-000 SCREW
- OMG02U-04-012 (4) WASHER
- OME02U-04-071 (4) CORD-POWER, 12VDC
- 191991-01-000 CABLE-AUDIO
- 160574-01-000

- DVD PLAYER 183637-01-000
- BRACKET-DVD PLAYER 184814-01-CHT
- SCREW 000G67-10-12U (6)
- FASTENER-DUAL LOCK 085774-01-000 (130MM)
- 085774-02-000 (130MM) CLAMP
- 010495-02-000 SCREW
- 000G67-10-12U RADIO-AM/FM/CD/DVD/RMT 168408-02-000
- BRACKET-DVD PLAYER 184814-02-CHT
- BRACKET-DVD PLAYER 187490-01-CHT
- SUPPORT-RADIO, REAR 181725-02-CHT
- SCREW 000G67-10-12U (6)
- SCREW 000G39-08-08U (4)

- TAPE-FOAM 076322-22-000 (250 MM)
- BRACKET-MOUNTING, TV 175053-11-CHT
- 175053-12-CHT SCREW
- 000G39-10-16U (5) CLIP-TRIM
- 130034-04-CHT SCREW
- 000G39-10-16U (4)

- BRACKET-MOUNTING, TV 302723-01-CHT
- SCREW 000G39-10-16U (3)
- CLIP-TRIM 130034-10-CHT
- SCREW 000G39-10-16U (5)

- CONDUIT, CONVOLUTE 041953-06-000 (500MM)
- TIE-WIRE MOUNT 155366-01-000 (2)
- TIE-WIRE 008343-04-000 (2)

- NOTES:
- 5 PREP SURFACE WITH ADHESIVE PROMOTER 87211-01-000.
  - 4 DVD 110V POWER CORD TO BE ROUTED IN BOTTOM OF OVHD CABINET OUT OF HOLE NEXT TO 110V RCP AND PLUGGED INTO RECP.
  - 3 TV BRACKET AND CLIP TO BE CENTERED ON OVHD CABT. MOUNT CLIP AT DIMENSION SHOWN TO TOP EDGE OF CLIP.
  - 2 SEE WIRING INSTL-BODY, 110V FOR ADDITIONAL INFORMATION.
  - 1 SEE WIRING INSTL-BODY, 12V FOR ADDITIONAL INFORMATION.

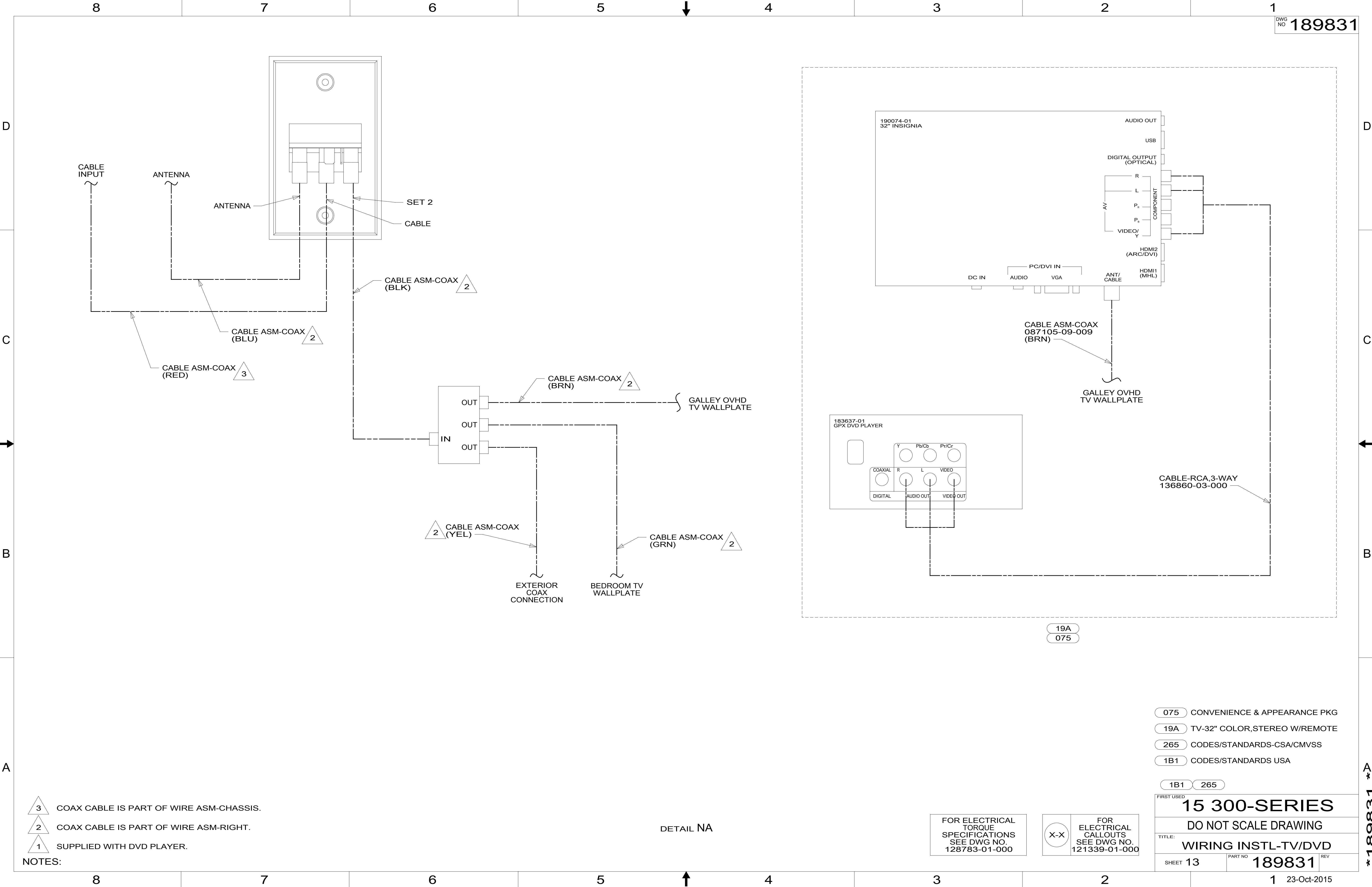
- 075 CONVENIENCE & APPEARANCE PKG
- 644 GREAT ALASKAN RENTAL PACKAGE
- 19A TV-32" COLOR, STEREO W/REMOTE
- 265 CODES/STANDARDS-CSA/CMVSS
- 1B1 CODES/STANDARDS USA

FIRST USED	
<b>15 300-SERIES</b>	
DO NOT SCALE DRAWING	
TITLE: <b>WIRING INSTL-TV/DVD</b>	
SHEET 12	PART NO <b>189831</b> REV

FOR ELECTRICAL TORQUE SPECIFICATIONS SEE DWG NO. 128783-01-000

FOR ELECTRICAL CALLOUTS SEE DWG NO. 121339-01-000

\*189831\*



- 3 COAX CABLE IS PART OF WIRE ASM-CHASSIS.
- 2 COAX CABLE IS PART OF WIRE ASM-RIGHT.
- 1 SUPPLIED WITH DVD PLAYER.

NOTES:

DETAIL NA

FOR ELECTRICAL TORQUE SPECIFICATIONS SEE DWG NO. 128783-01-000

FOR ELECTRICAL CALLOUTS SEE DWG NO. 121339-01-000

- 075 CONVENIENCE & APPEARANCE PKG
- 19A TV-32" COLOR, STEREO W/REMOTE
- 265 CODES/STANDARDS-CSA/CMVSS
- 1B1 CODES/STANDARDS USA

FIRST USED

**15 300-SERIES**

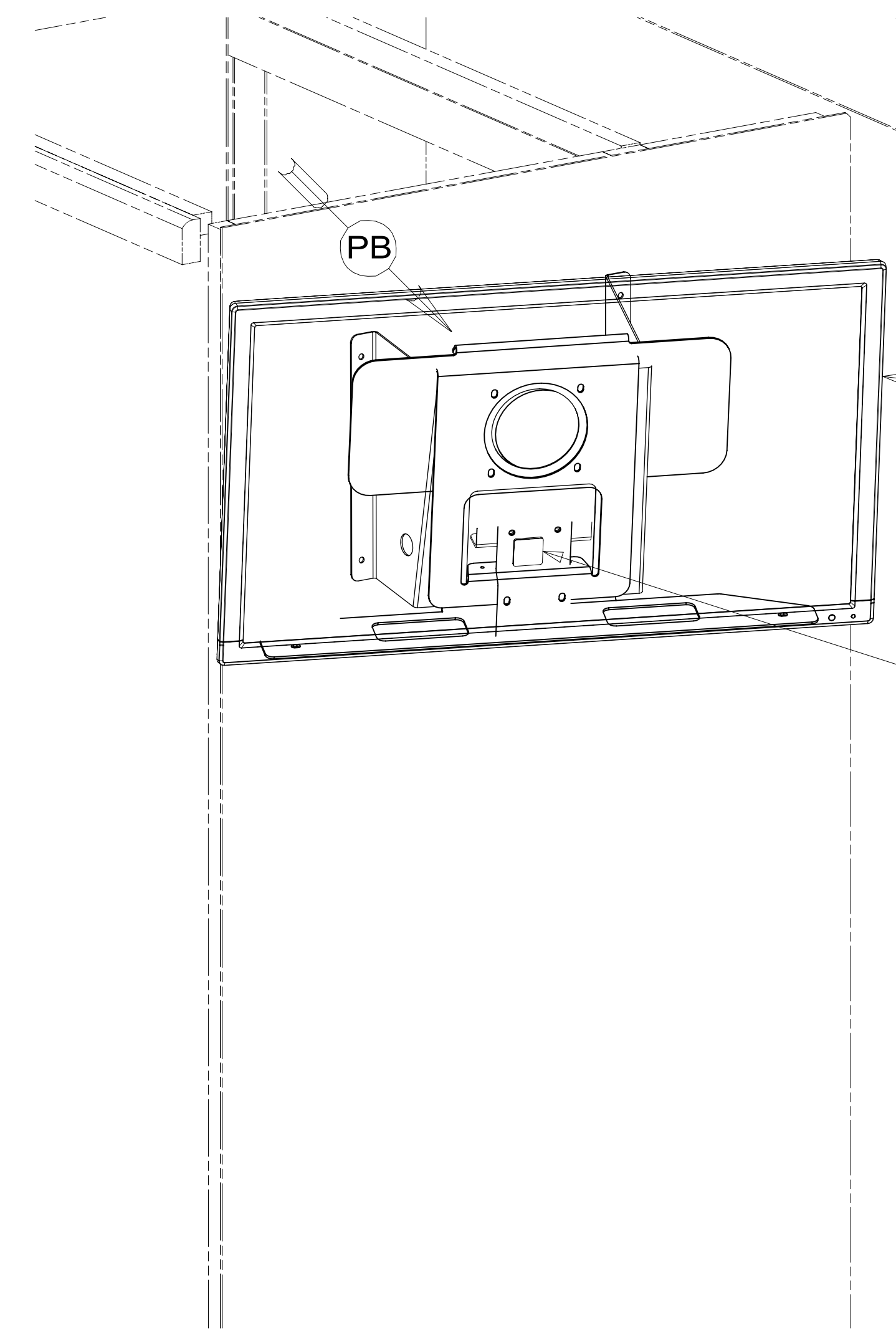
DO NOT SCALE DRAWING

TITLE: **WIRING INSTL-TV/DVD**

SHEET 13 PART NO. **189831** REV

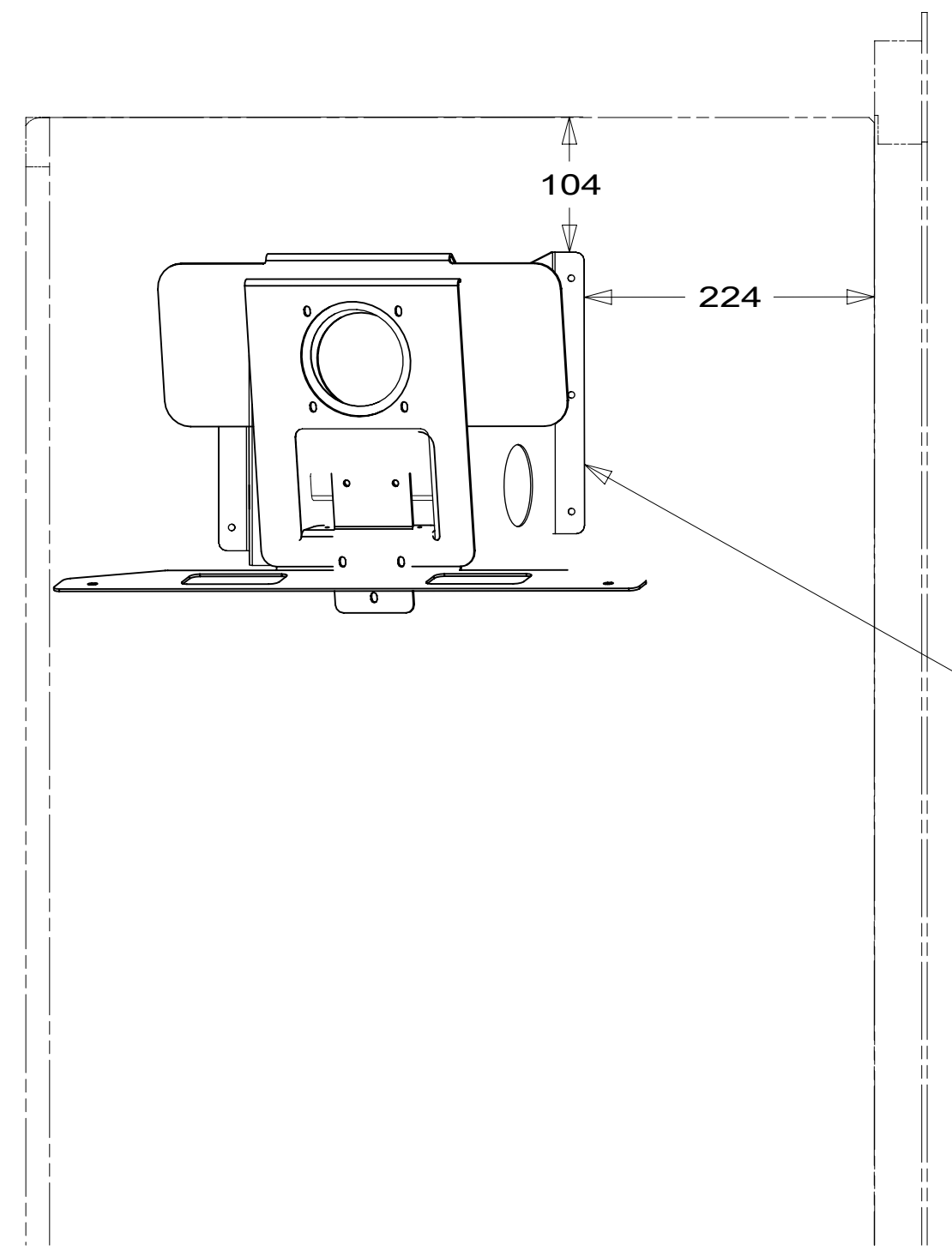
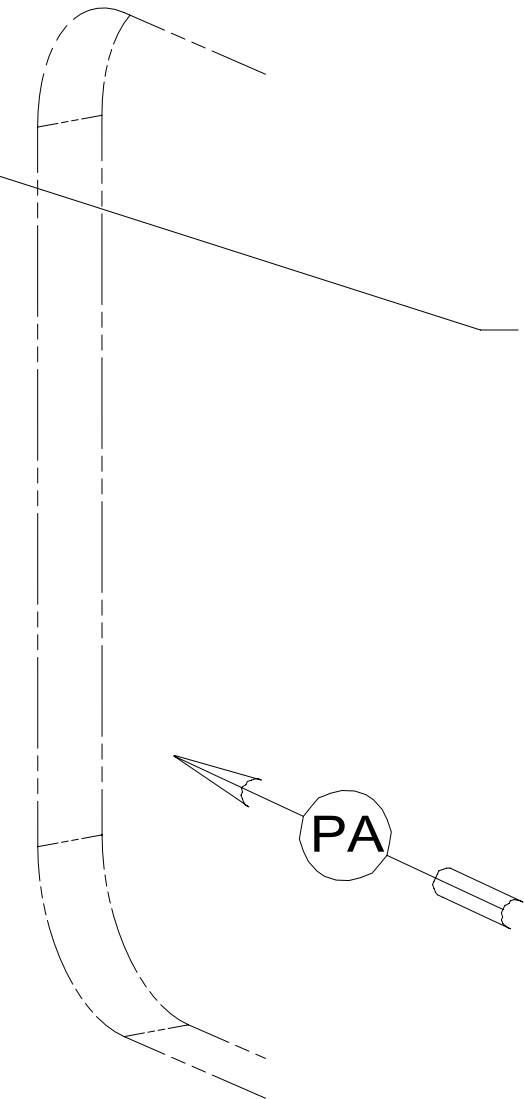
23-Oct-2015

\*189831\*



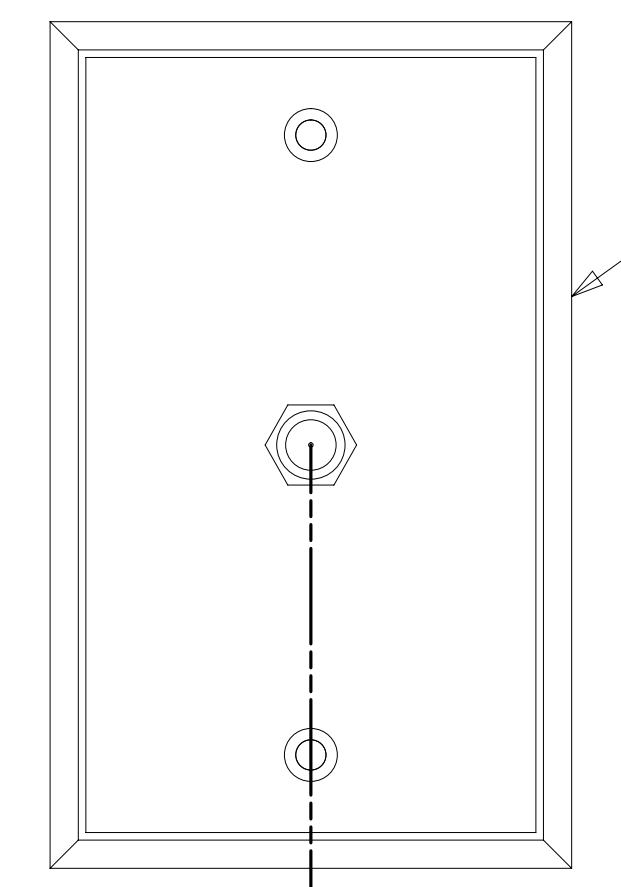
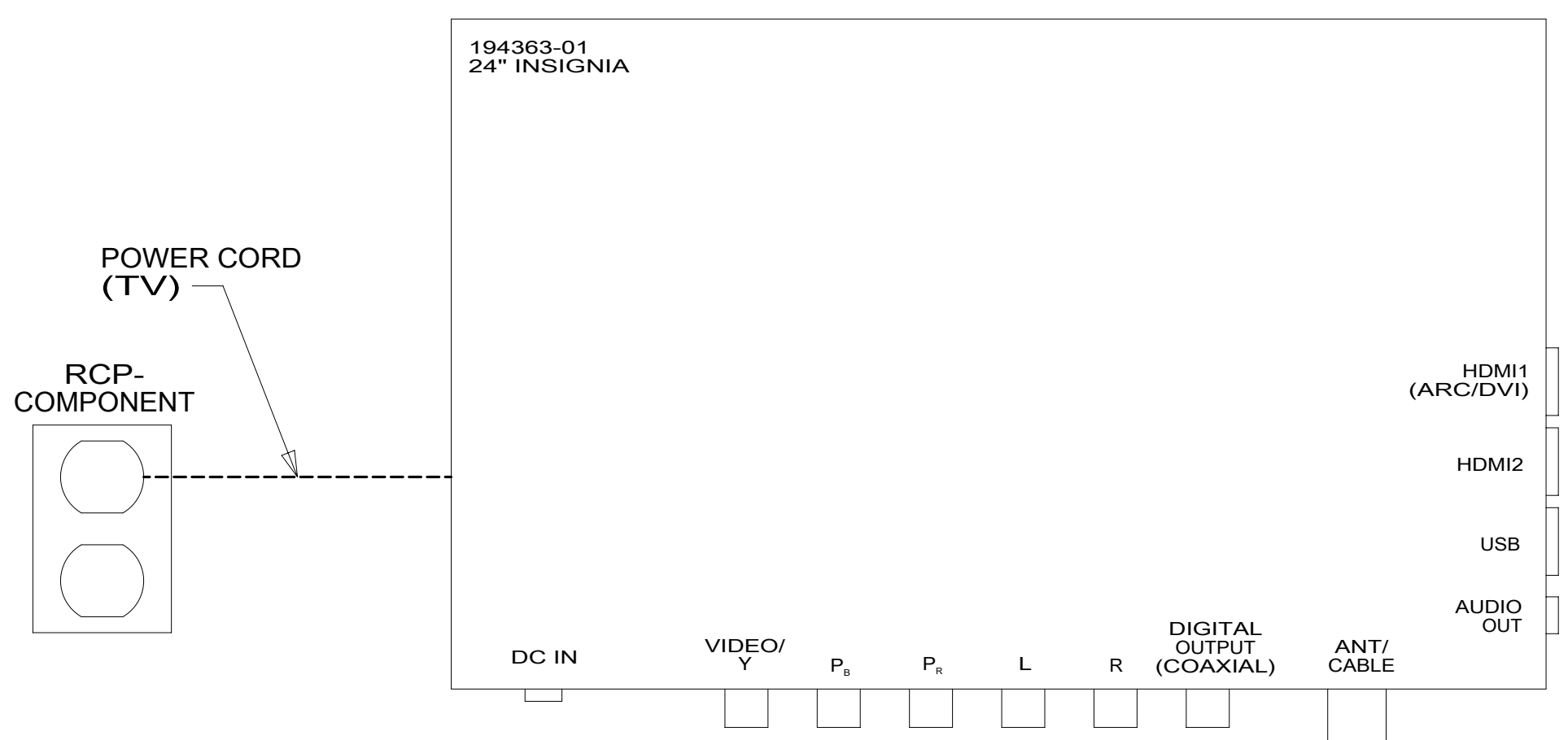
TV-24", FLAT  
PANEL ELED, HDTV  
194363-01-000 1

TIE-WIRE MOUNT  
155366-01-000  
TIE-WIRE  
008343-04-000



BRACKET-TV  
158394-23-CHT  
SCREW  
000G11-10-12U (6)  
PLATE-MOUNTING  
163321-10-CHT  
SCREW  
OMG02U-04-010 (4)  
SCREW-BASE  
(SUPPLIED WITH TV)

VIEW PA  
(TV NOT SHOWN)



ANTENNA WALL PLATE  
(REF)

CABLE ASM-COAX  
087105-01-006

VIEW PB

- 68B TV (REAR)-22"COLOR, STEREO
- 265 CODES/STANDARDS-CSA/CMVSS
- 1B1 CODES/STANDARDS USA

1B1 265 68B

FIRST USED  
**15 300-SERIES**

DO NOT SCALE DRAWING

TITLE:  
**WIRING INSTL-TV/DVD**

SHEET 14 PART NO. **189831** REV

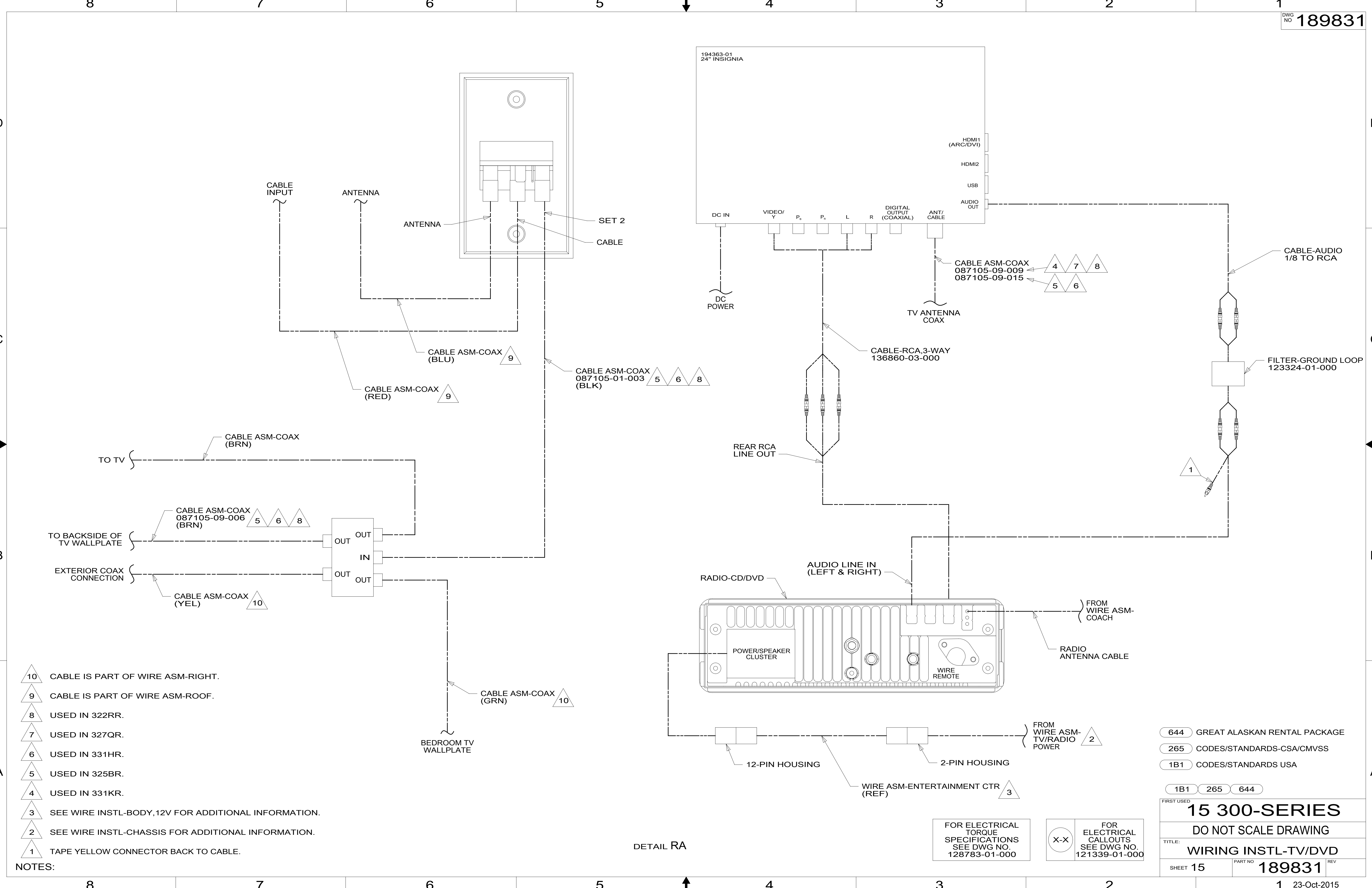
FOR ELECTRICAL  
TORQUE  
SPECIFICATIONS  
SEE DWG NO.  
128783-01-000

FOR ELECTRICAL  
CALLOUTS  
SEE DWG NO.  
121339-01-000

1 USE SCREWS PROVIDED WITH TV TO ATTACH TV TO MOUNTING PLATE.

NOTES:

\*189831\*



- NOTES:
- 10 CABLE IS PART OF WIRE ASM-RIGHT.
  - 9 CABLE IS PART OF WIRE ASM-ROOF.
  - 8 USED IN 322RR.
  - 7 USED IN 327QR.
  - 6 USED IN 331HR.
  - 5 USED IN 325BR.
  - 4 USED IN 331KR.
  - 3 SEE WIRE INSTL-BODY, 12V FOR ADDITIONAL INFORMATION.
  - 2 SEE WIRE INSTL-CHASSIS FOR ADDITIONAL INFORMATION.
  - 1 TAPE YELLOW CONNECTOR BACK TO CABLE.

DETAIL RA

FOR ELECTRICAL TORQUE SPECIFICATIONS SEE DWG NO. 128783-01-000

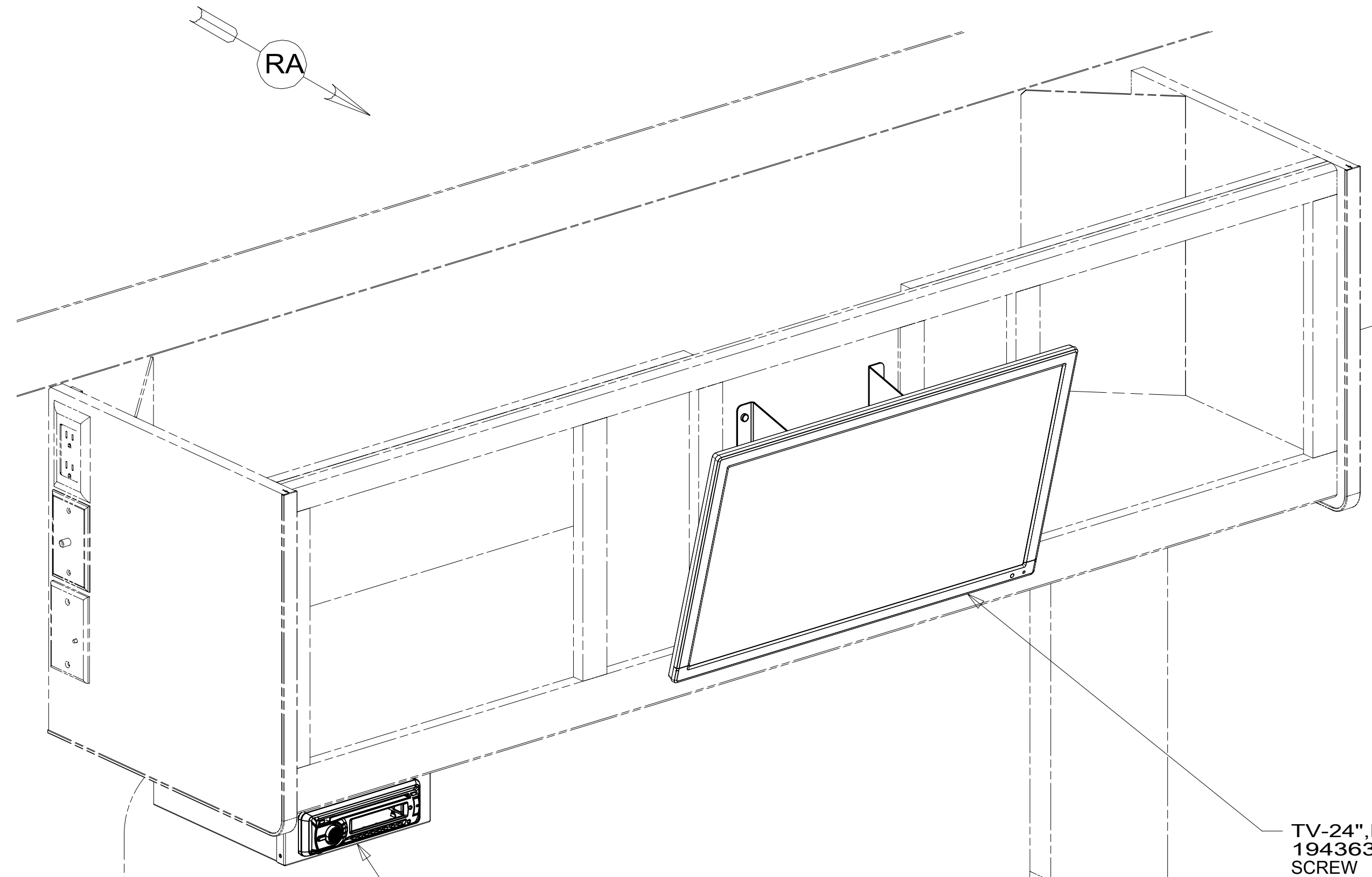
FOR ELECTRICAL CALLOUTS SEE DWG NO. 121339-01-000

- 644 GREAT ALASKAN RENTAL PACKAGE
- 265 CODES/STANDARDS-CSA/CMVSS
- 1B1 CODES/STANDARDS USA

1B1	265	644
FIRST USED		
<b>15 300-SERIES</b>		
DO NOT SCALE DRAWING		
TITLE: <b>WIRING INSTL-TV/DVD</b>		
SHEET 15	PART NO <b>189831</b>	REV
1 23-Oct-2015		

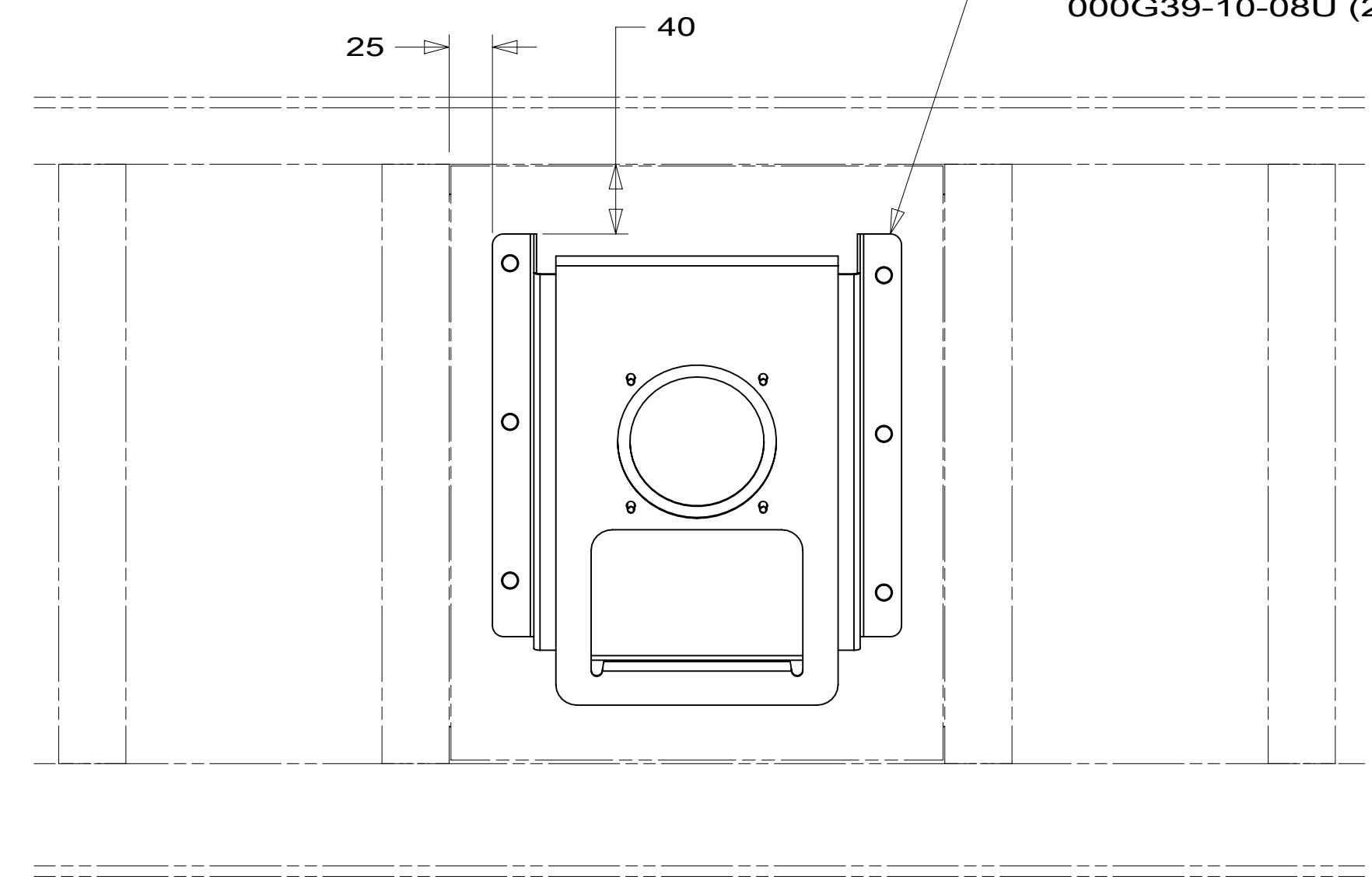
\*189831\*





RADIO-AM/FM/CD/DVD/RMT  
 168408-02-000  
 BRACKET-DVD PLAYER  
 184814-02-CHT  
 BRACKET-DVD PLAYER  
 187490-01-CHT  
 SUPPORT-RADIO,REAR  
 181725-02-CHT  
 SCREW  
 000G67-10-12U (6)  
 SCREW  
 000G39-08-08U (4)

TV-24",FLAT PANEL DLED,HDTV  
 194363-01-000  
 SCREW  
 0MG02U-04-012 (4)  
 WASHER  
 0ME02U-04-071 (4)  
 CORD-POWER,12VDC  
 191991-01-000  
 CABLE-AUDIO  
 160574-01-000



BRACKET-TV  
 302683-01-CHT  
 SCREW  
 000G39-10-16U (6)  
 PLATE-MOUNTING  
 302643-01-CHT  
 SCREW  
 000G39-10-08U (2)

VIEW SA  
 (TV NOT SHOWN)

- 644 GREAT ALASKAN RENTAL PACKAGE
- 265 CODES/STANDARDS-CSA/CMVSS
- 1B1 CODES/STANDARDS USA

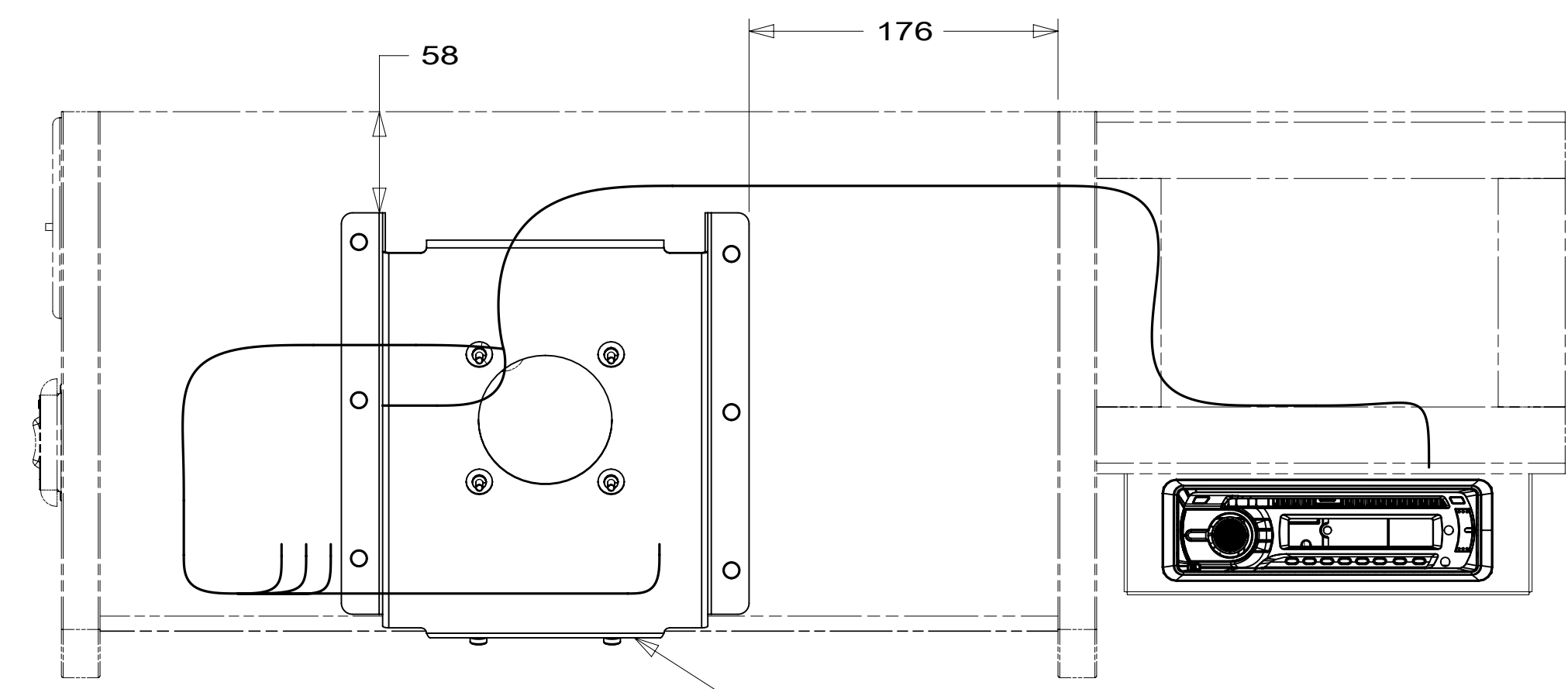
1B1 265 644

FOR ELECTRICAL  
 TORQUE  
 SPECIFICATIONS  
 SEE DWG NO.  
 128783-01-000

FOR  
 ELECTRICAL  
 CALLOUTS  
 SEE DWG NO.  
 121339-01-000

FIRST USED		
<b>15 300-SERIES</b>		
DO NOT SCALE DRAWING		
TITLE:		
<b>WIRING INSTL-TV/DVD</b>		
SHEET 16	PART NO	REV
	<b>189831</b>	

\*189831\*

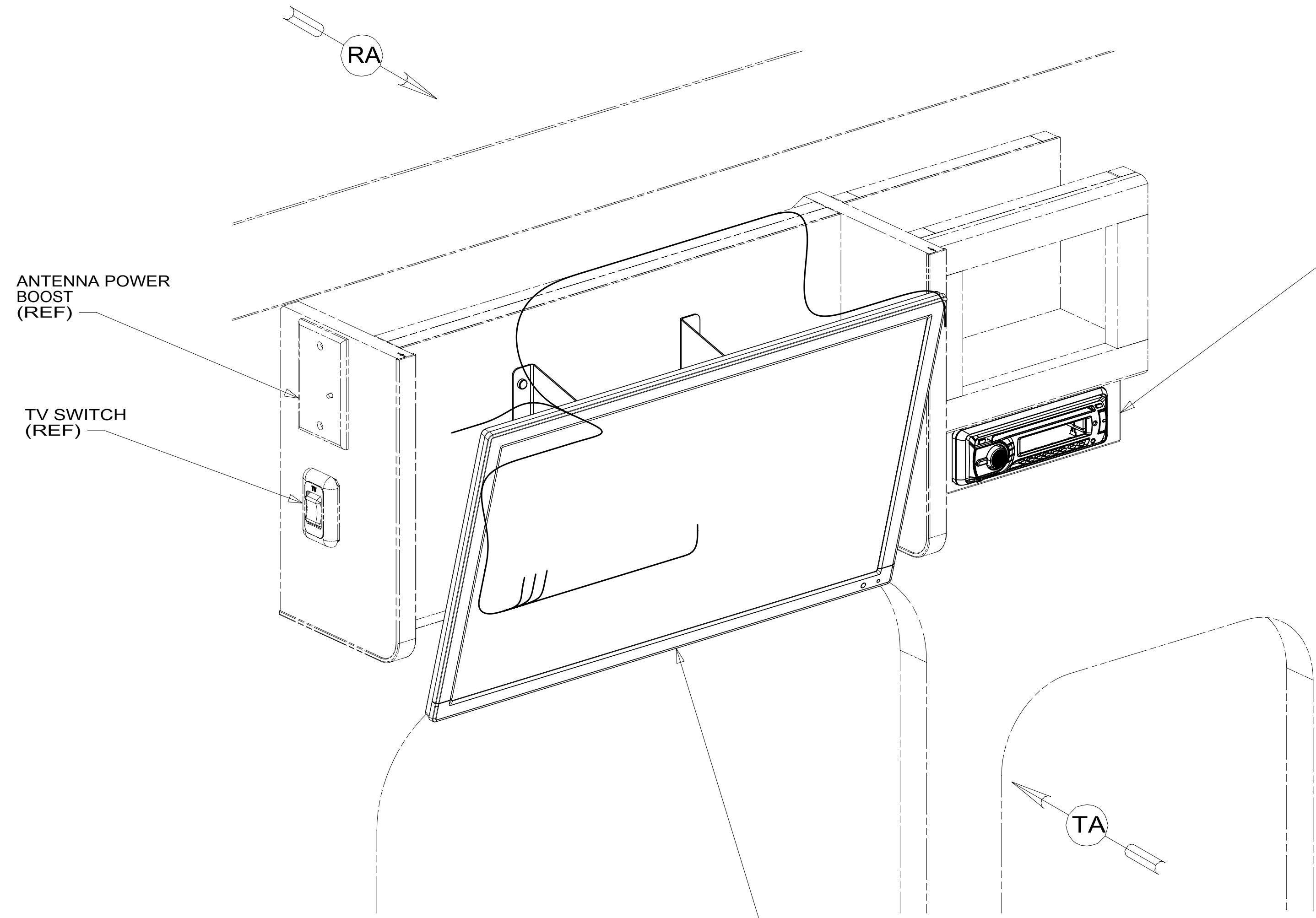


VIEW TA  
(TV NOT SHOWN)

- BRACKET-TV
- 302683-01-CHT
- SCREW
- 000G39-10-16U (6)
- PLATE-MOUNTING
- 302643-01-CHT
- SCREW
- 000G39-10-12U (2)

- RADIO-AM/FM/CD/DVD/RMT
- 168408-02-000
- BRACKET-DVD PLAYER
- 184814-02-CHT
- BRACKET-DVD PLAYER
- 187490-01-CHT
- SUPPORT-RADIO,REAR
- 181725-02-CHT
- SCREW
- 000G67-10-12U (6)
- SCREW
- 000G39-08-08U (4)

- TV-24" FLAT PANEL DLED,HDTV
- 194363-01-000
- SCREW
- OMG02U-04-012 (4)
- WASHER
- OME02U-04-071 (4)
- CORD-POWER,12VDC
- 191991-01-000
- CABLE-AUDIO
- 160574-01-000



TA

- 644 GREAT ALASKAN RENTAL PACKAGE
- 265 CODES/STANDARDS-CSA/CMVSS
- 1B1 CODES/STANDARDS USA

1B1 265 644

FIRST USED	
<b>15 300-SERIES</b>	
DO NOT SCALE DRAWING	
TITLE: <b>WIRING INSTL-TV/DVD</b>	
SHEET 17	PART NO <b>189831</b> REV

FOR ELECTRICAL TORQUE SPECIFICATIONS SEE DWG NO. 128783-01-000

X-X FOR ELECTRICAL CALLOUTS SEE DWG NO. 121339-01-000

\*189831\*