



**DANGER**

**Danger of electrical shock, burns or death.** Always remove all power sources before attempting any repair, service or diagnostic work. Power can be present from shore power, generator, inverter or battery. All power sources must be disabled and secured before performing any service.

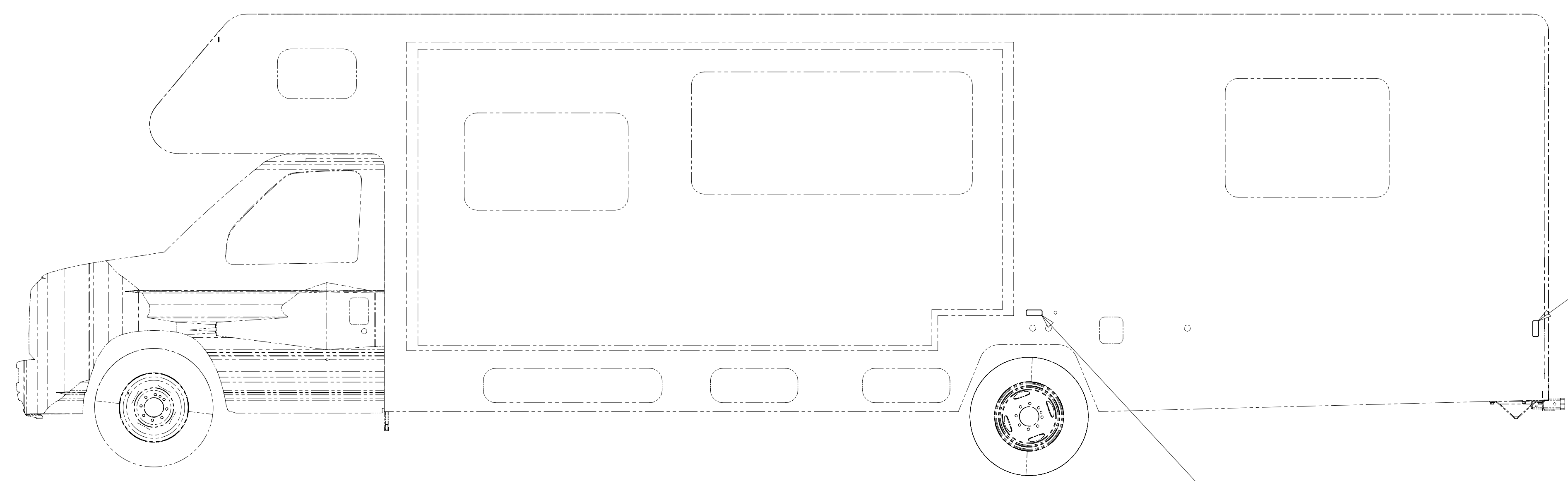
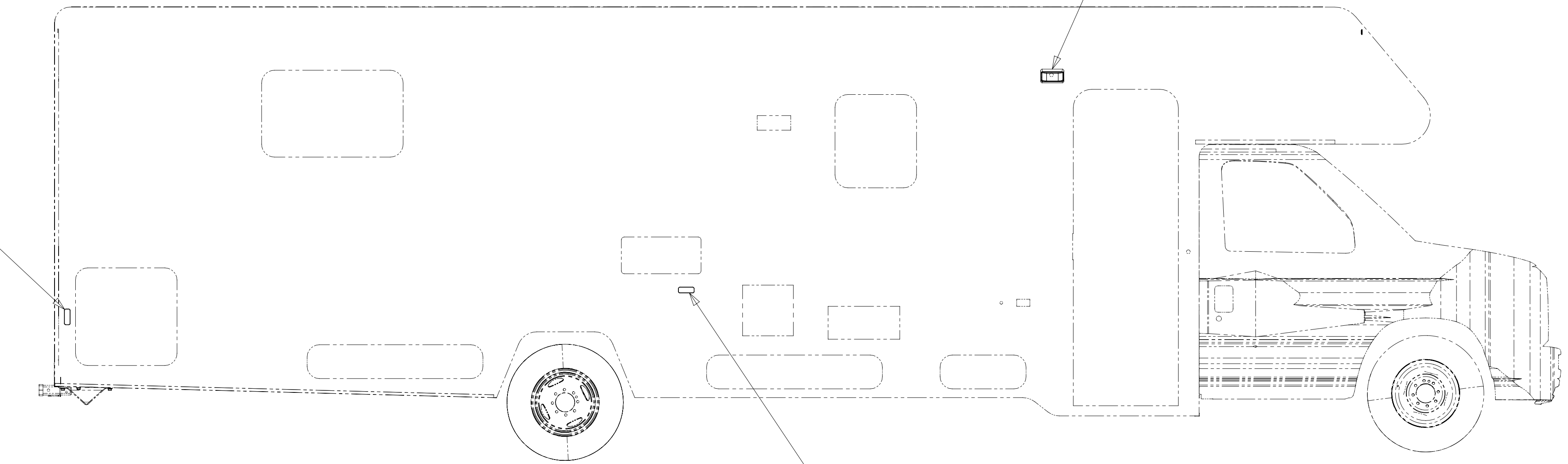


**CAUTION**

If you lack the skills, tools or equipment to perform diagnostic or repair work leave such work to an authorized Winnebago Industries dealer or other qualified shop.

DRAWING NO.	MODEL	SHEETS
189830-01	331K/KP	1,2
189830-02	325B,322R,327Q/QP	1,3
189830-03	331H	1,4

RELEASE	REV/DATE	DWG NO	189830
REV ZONE	REVISION RECORD	DATE	DFT-ORIG



- 265 CODES/STANDARDS-CSA/CMVSS
- 1B1 CODES/STANDARDS USA
- 1B1 265

**WINNEBAGO** COPYRIGHT 2014 WINNEBAGO INDUSTRIES, INC.

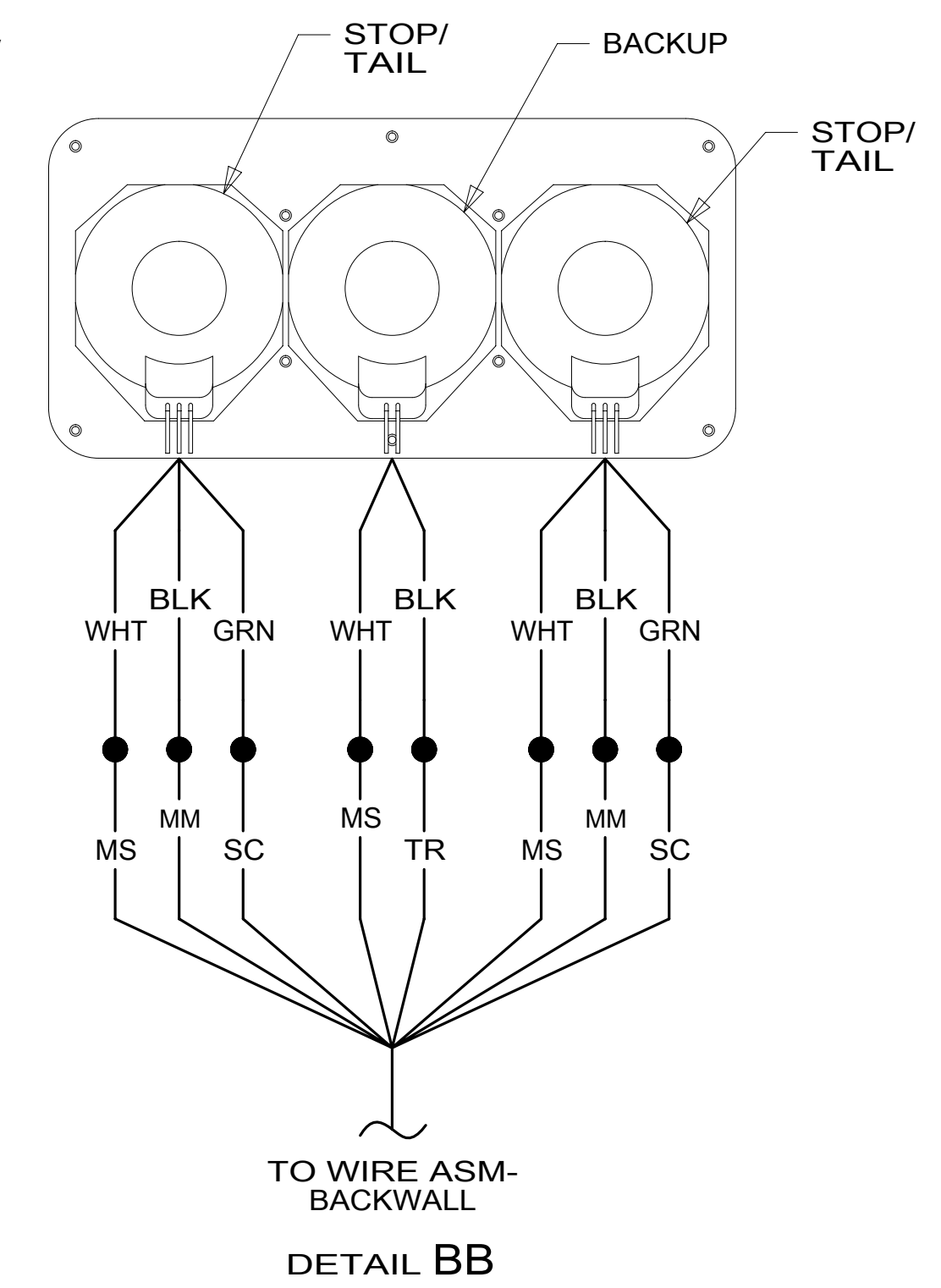
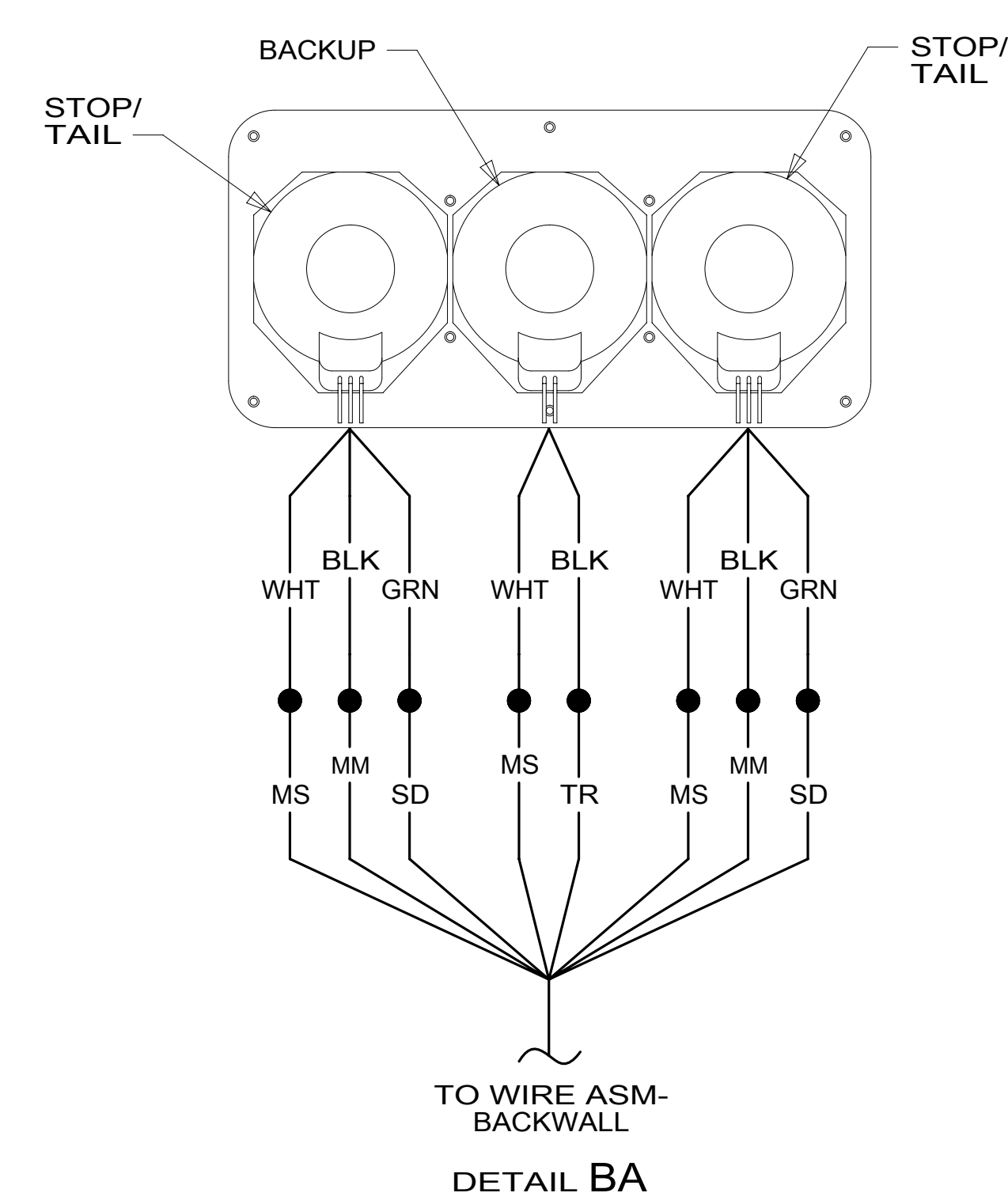
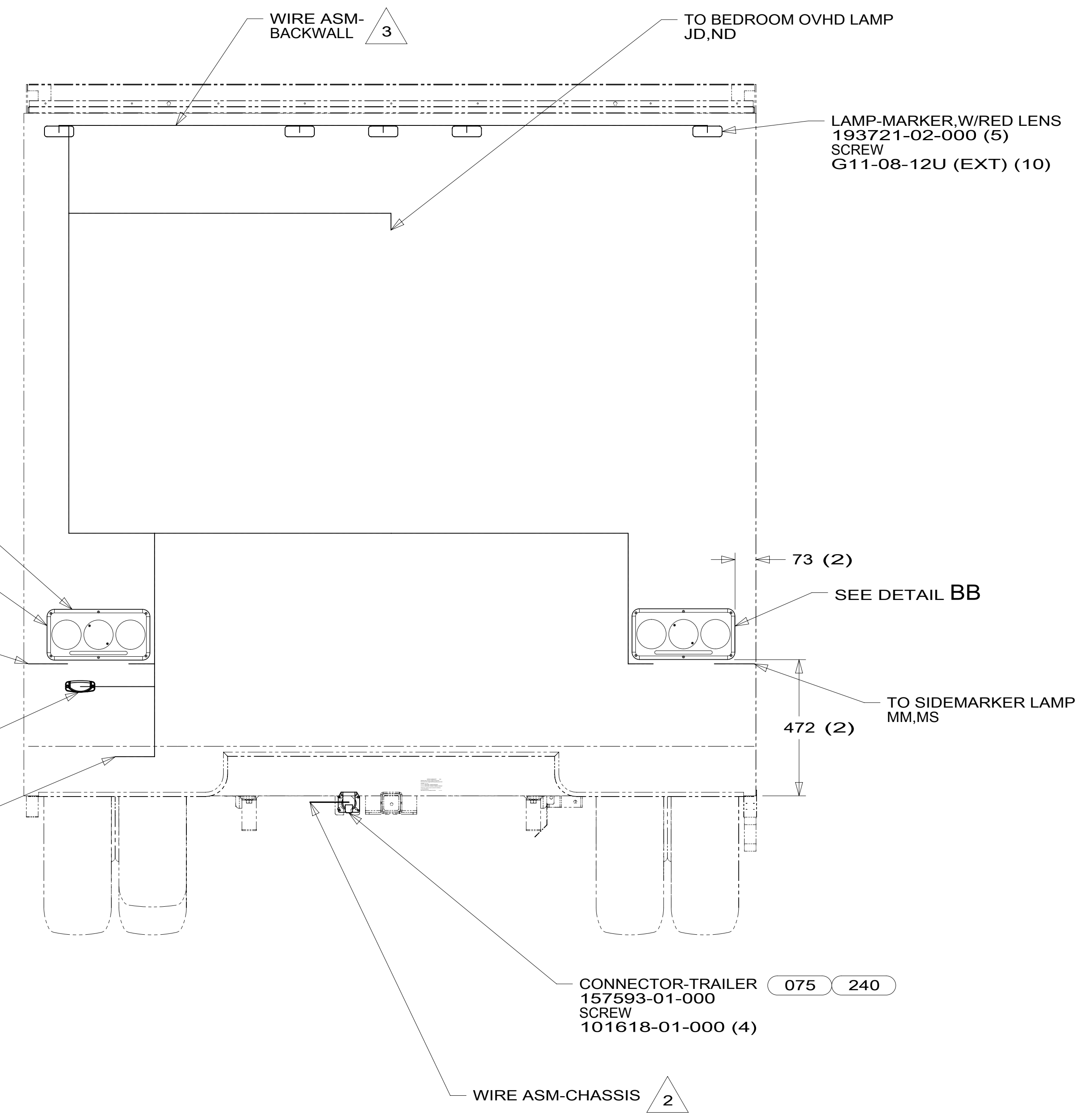
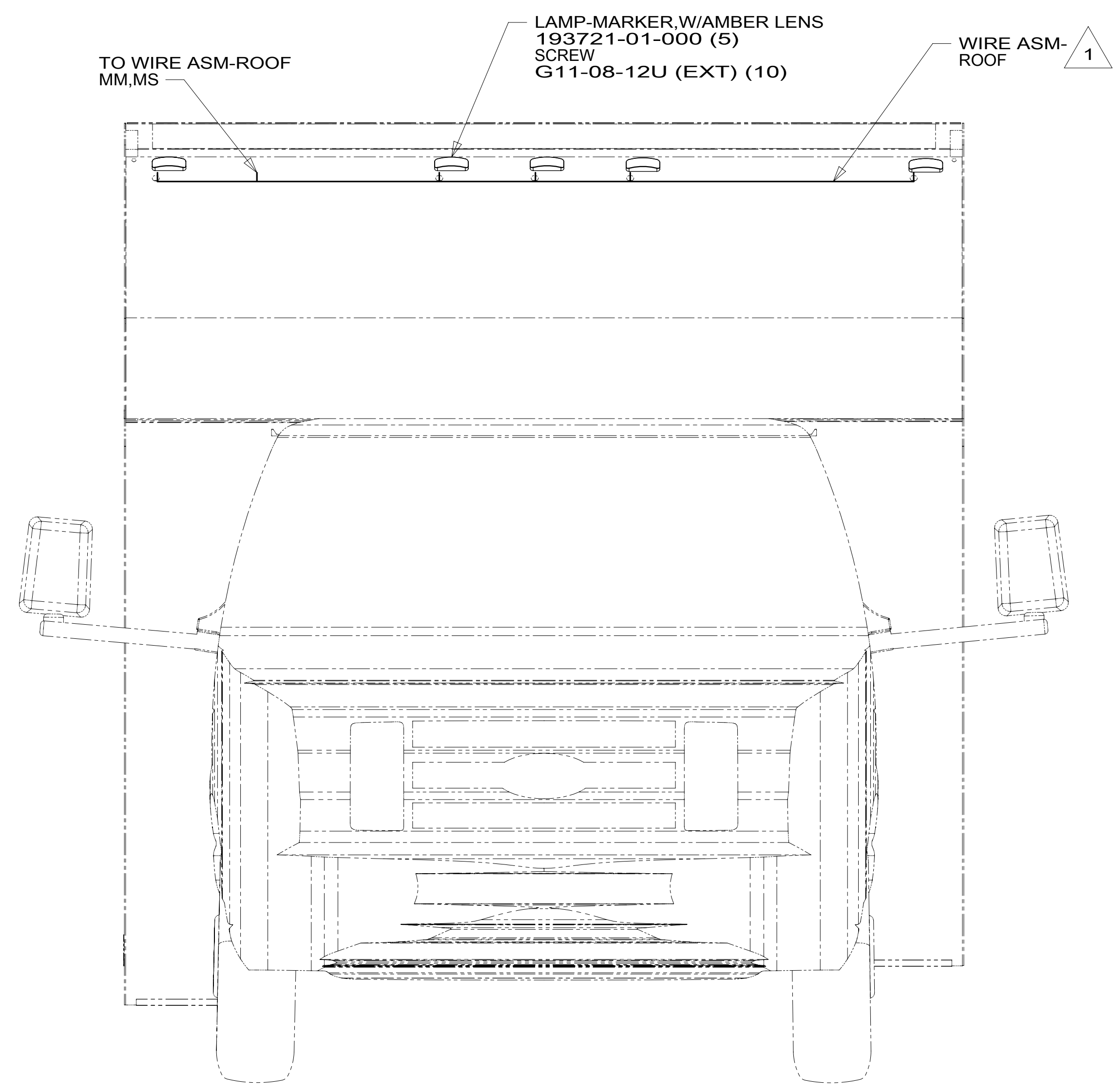
DFT-ORIG	ORIG. DATE
CHKR	ALL DIMENSIONS ARE IN MILLIMETERS
P.E.	
M.E.	FIRST USED
DSNR	15 300-SERIES
UNSPECIFIED TOLERANCES ARE:	
WHOLE DIM (X)	: 3
ONE-PLACE (X.X)	: 1.5
TWO-PLACE (X.XX)	: 0.50
ANGLE	: 1°
THIRD ANGLE PROJECTION	
DO NOT SCALE DRAWING	REFER TO ES0018 FOR FASTENER TIGHTENING GUIDELINES
TITLE: WIRING INSTL-EXTERIOR LAMPS	
SHEET 1 OF 4	PART NO 189830 REV

NOTES:  
 1 USED ONLY WITH 331K/KP, 331H.

FOR ELECTRICAL TORQUE SPECIFICATIONS SEE DWG NO. 128783-01-000

FOR ELECTRICAL CALLOUTS SEE DWG NO. 121339-01-000

\*189830 A\*



- NOTES:
- 4 TAIL LAMP MUST BE INSTALLED WITH WIRES DOWN.
  - 3 LOCATED IN BACKWALL ASSEMBLY.
  - 2 SECURE WIRE BELOW COACH WITH CLAMP 10495-01-000 AND SCREW G67-10-12B.
  - 1 LOCATED IN ROOF ASSEMBLY FRONT.

- 240 TRAILER HITCH
- 075 CONVENIENCE & APPEARANCE PKG
- 265 CODES/STANDARDS-CSA/CMVSS
- 1B1 CODES/STANDARDS USA

FIRST USED

**15 300-SERIES**

DO NOT SCALE DRAWING

TITLE: WIRING INSTL-EXTERIOR LAMPS

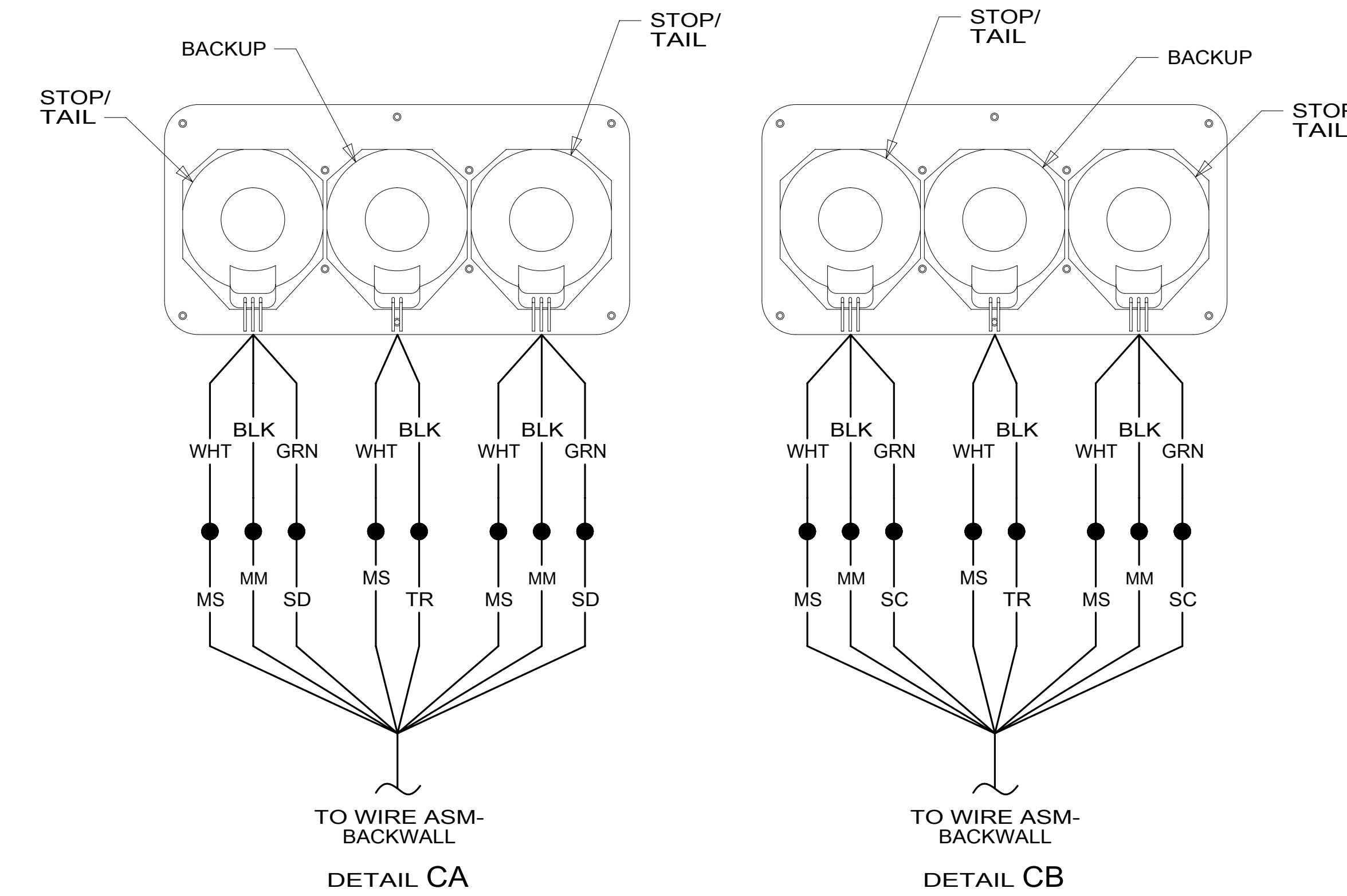
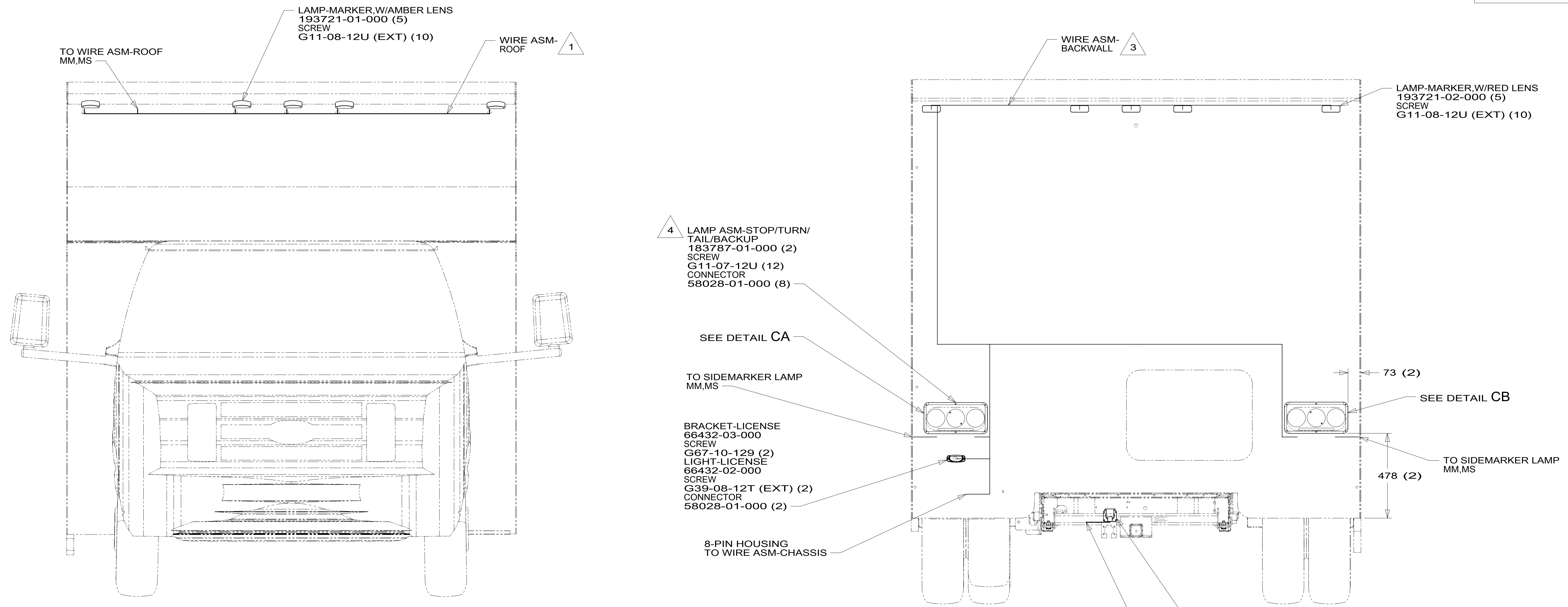
SHEET 2 PART NO. 189830 REV

09-Jul-2015

FOR ELECTRICAL TORQUE SPECIFICATIONS SEE DWG NO. 128783-01-000

FOR ELECTRICAL CALLOUTS SEE DWG NO. 121339-01-000

\* 189830 A \*



- NOTES:
- 4 TAIL LAMP MUST BE INSTALLED WITH WIRES DOWN.
  - 3 LOCATED IN BACKWALL ASSEMBLY.
  - 2 SECURE WIRE BELOW COACH WITH CLAMP 10495-01-000 AND SCREW G67-10-12B.
  - 1 LOCATED IN ROOF ASSEMBLY FRONT.

- 240 TRAILER HITCH
- 075 CONVENIENCE & APPEARANCE PKG
- 265 CODES/STANDARDS-CSA/CMVSS
- 1B1 CODES/STANDARDS USA
- 1B1 265

FOR ELECTRICAL TORQUE SPECIFICATIONS SEE DWG NO. 128783-01-000

FOR ELECTRICAL CALLOUTS SEE DWG NO. 121339-01-000

FIRST USED

## 15 300-SERIES

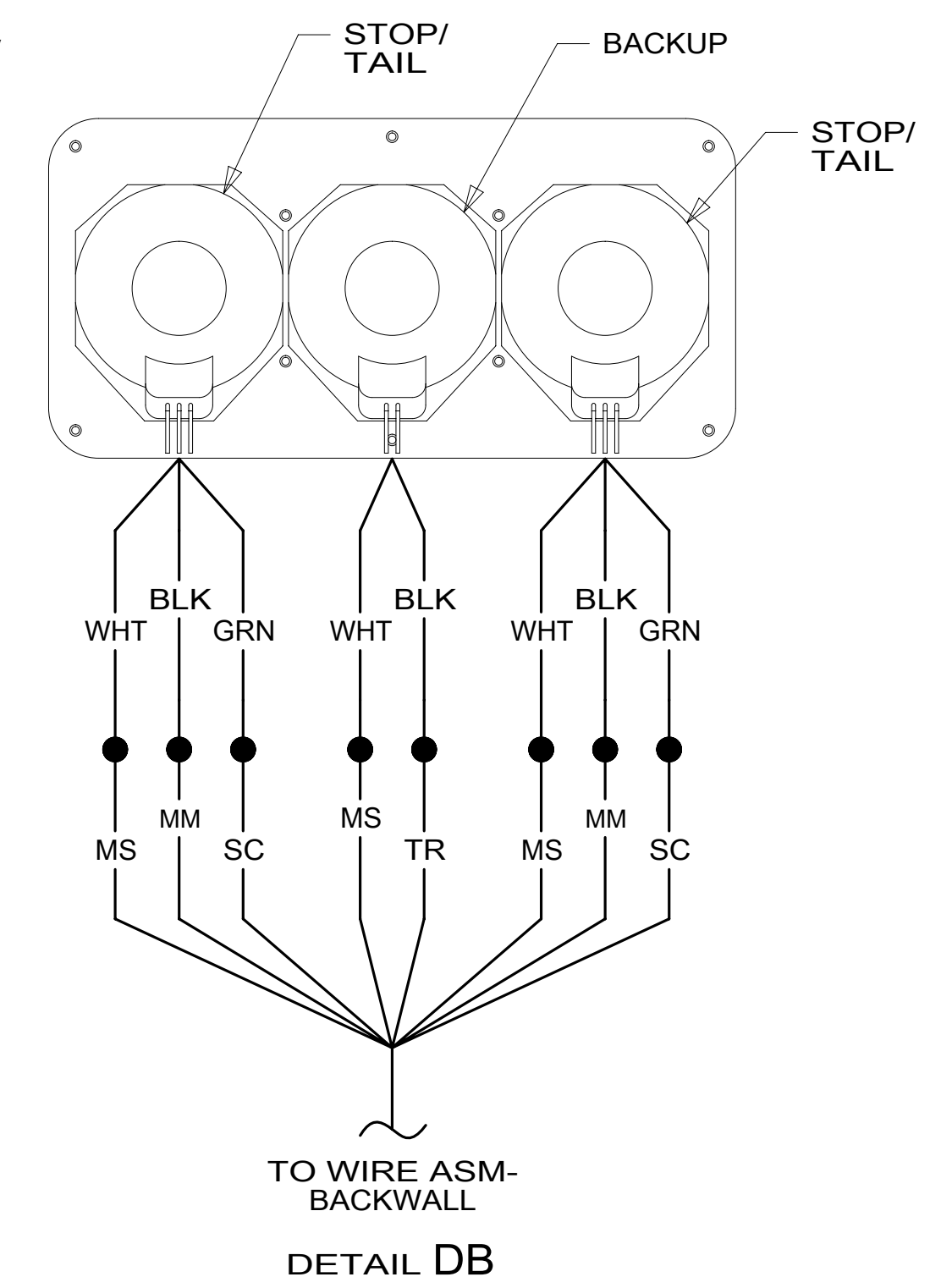
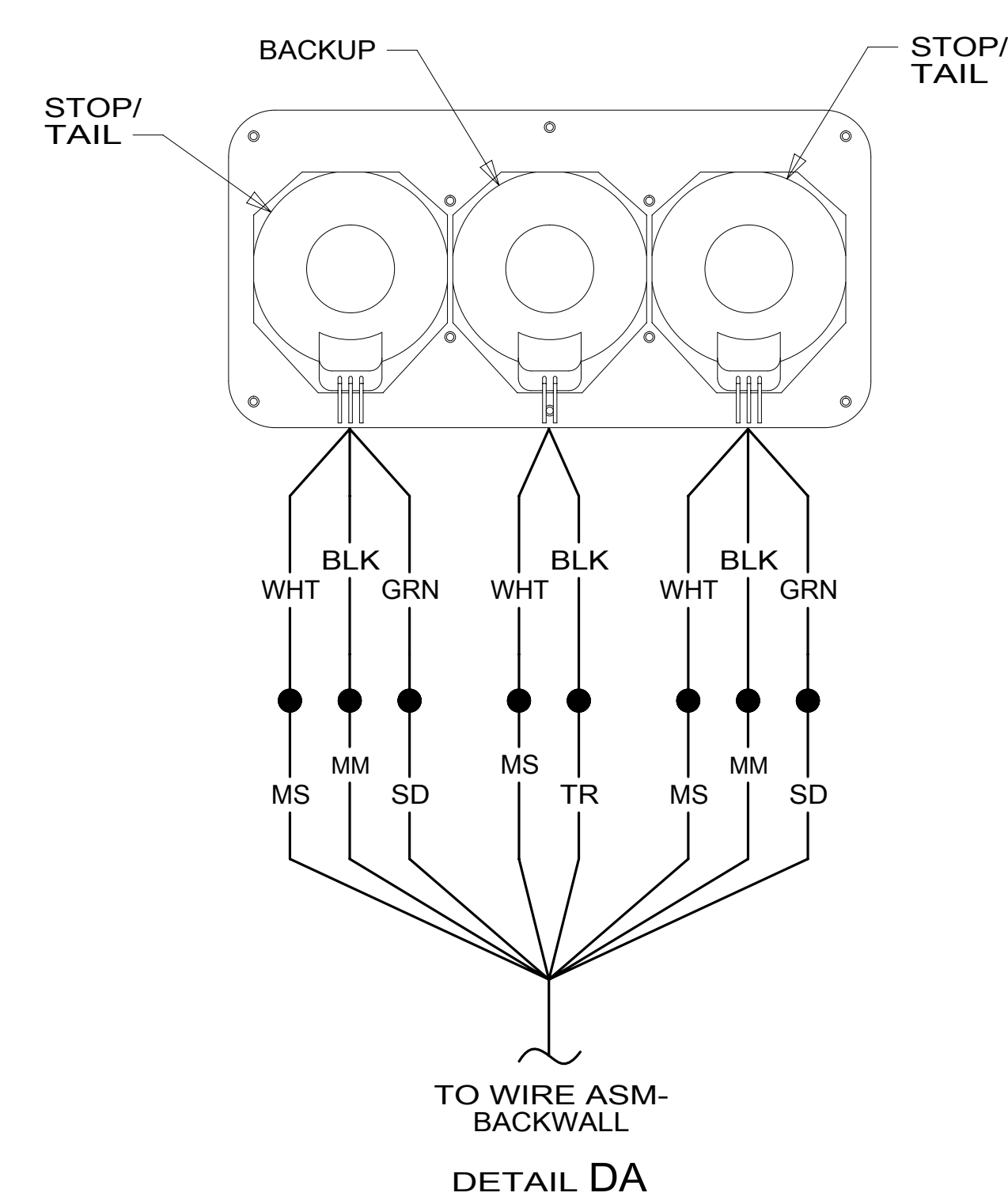
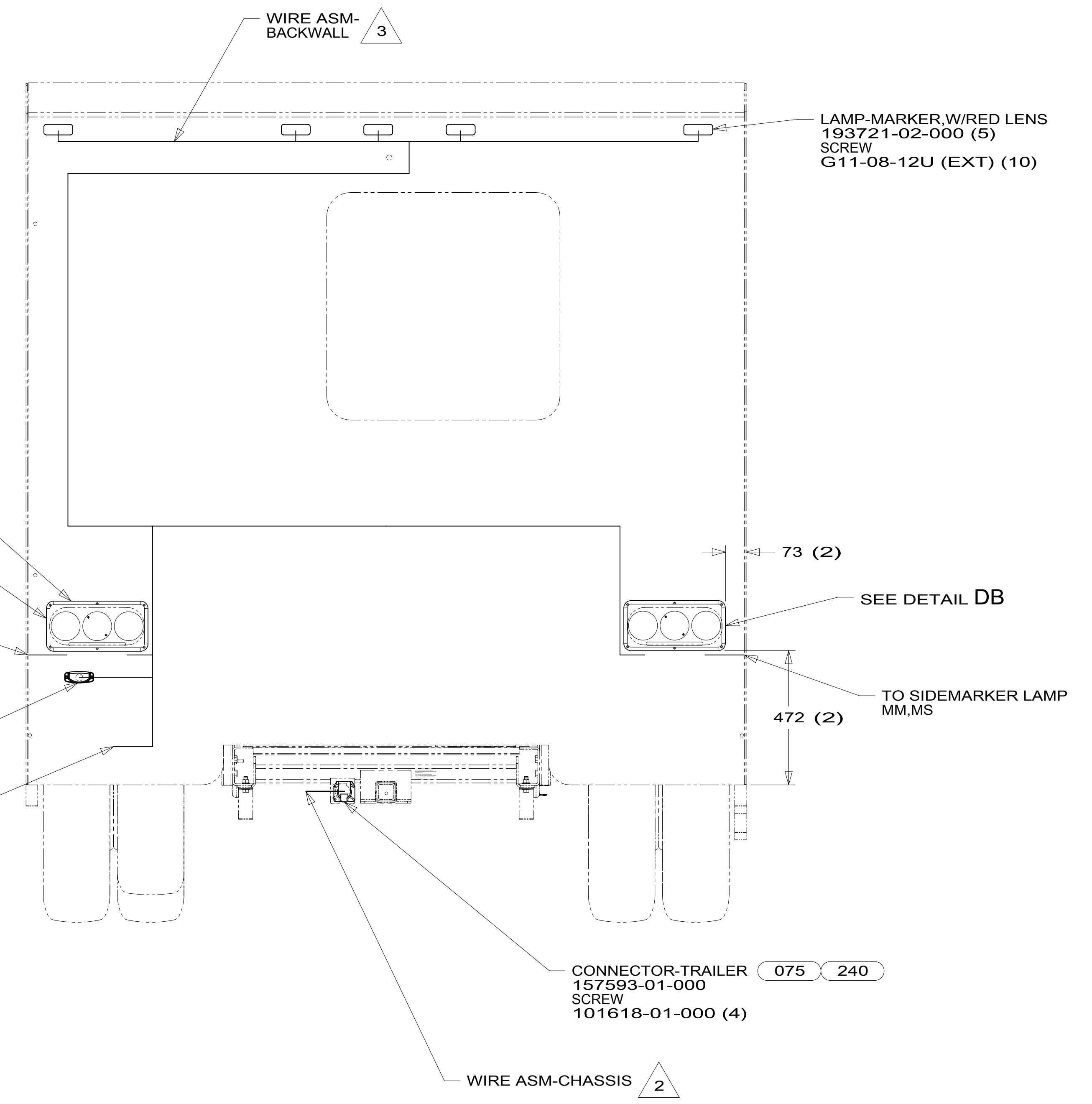
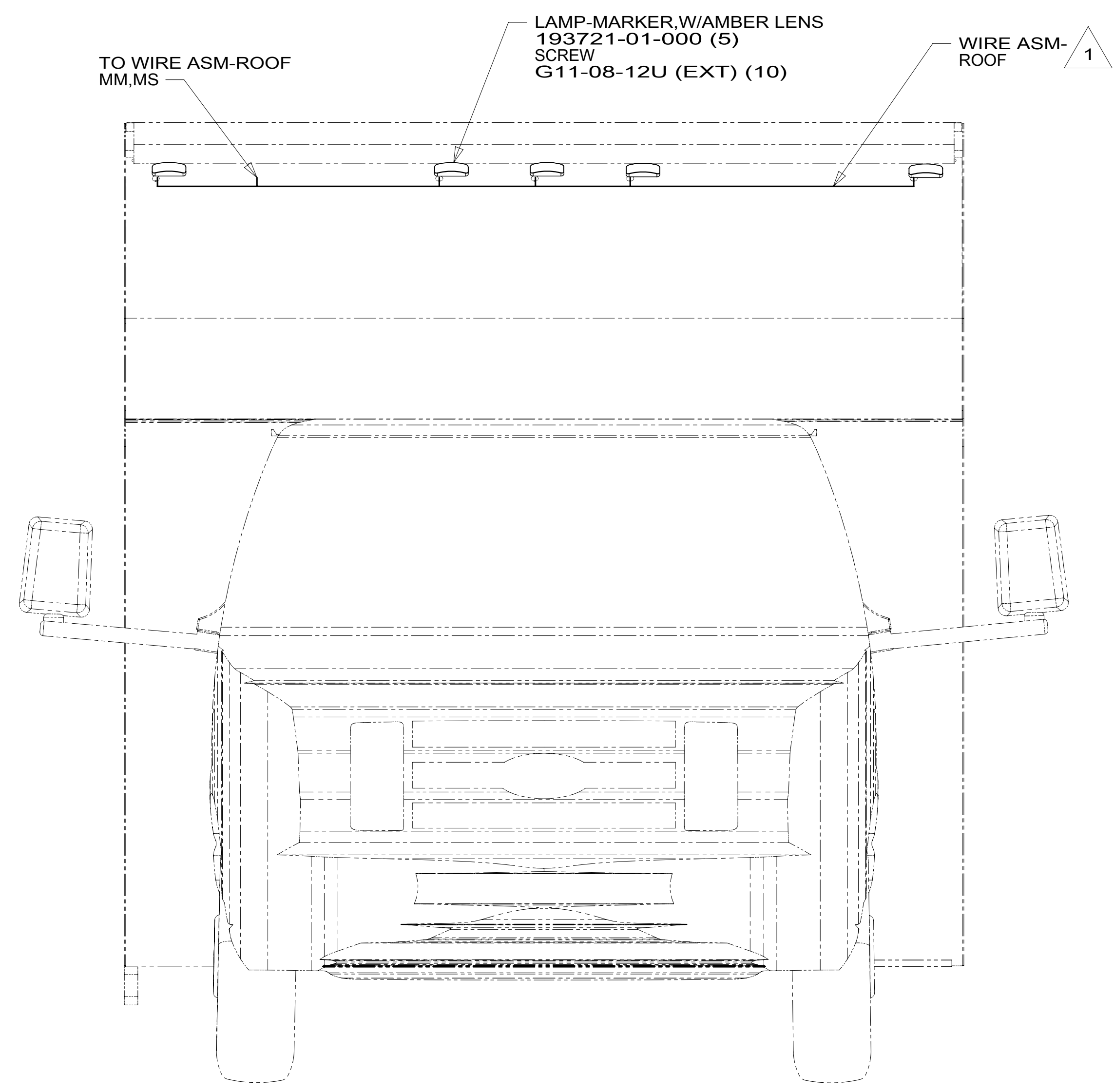
DO NOT SCALE DRAWING

TITLE: WIRING INSTL-EXTERIOR LAMPS

SHEET 3 PART NO 189830 REV

09-Jul-2015

\* 189830 \* A \*



- NOTES:
- 4 TAIL LAMP MUST BE INSTALLED WITH WIRES DOWN.
  - 3 LOCATED IN BACKWALL ASSEMBLY.
  - 2 SECURE WIRE BELOW COACH WITH CLAMP 10495-01-000 AND SCREW G67-10-12B.
  - 1 LOCATED IN ROOF ASSEMBLY FRONT.

- 240 TRAILER HITCH
- 075 CONVENIENCE & APPEARANCE PKG
- 265 CODES/STANDARDS-CSA/CMVSS
- 1B1 CODES/STANDARDS USA

FIRST USED

**15 300-SERIES**

DO NOT SCALE DRAWING

TITLE: **WIRING INSTL-EXTERIOR LAMPS**

SHEET 4 PART NO **189830** REV

09-Jul-2015

FOR ELECTRICAL TORQUE SPECIFICATIONS SEE DWG NO. 128783-01-000

FOR ELECTRICAL CALLOUTS SEE DWG NO. 121339-01-000

\* 189830 \* A \*