



DANGER

Danger of electrical shock, burns or death. Always remove all power sources before attempting any repair, service or diagnostic work. Power can be present from shore power, generator, inverter or battery. All power sources must be disabled and secured before performing any service.

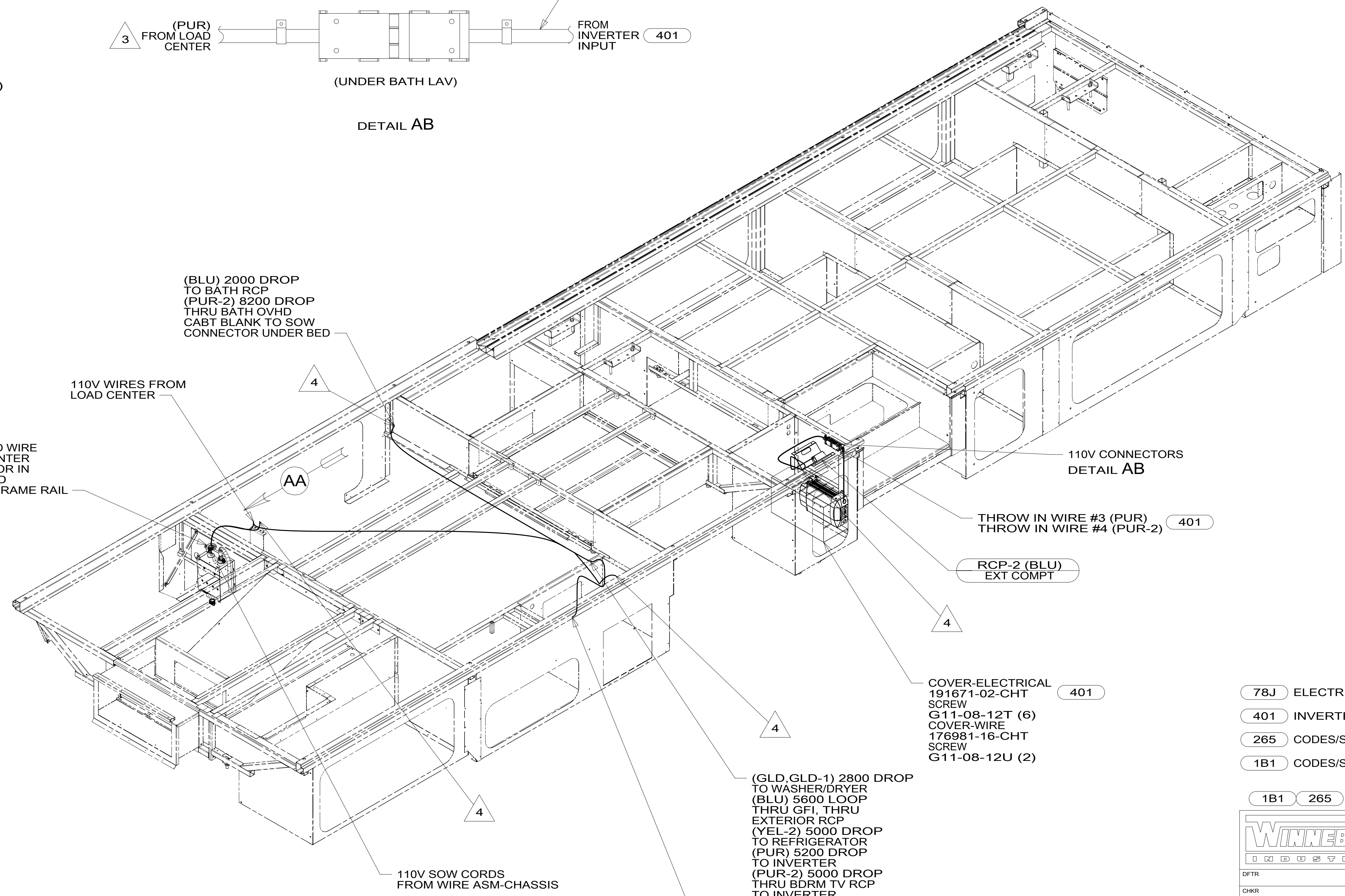
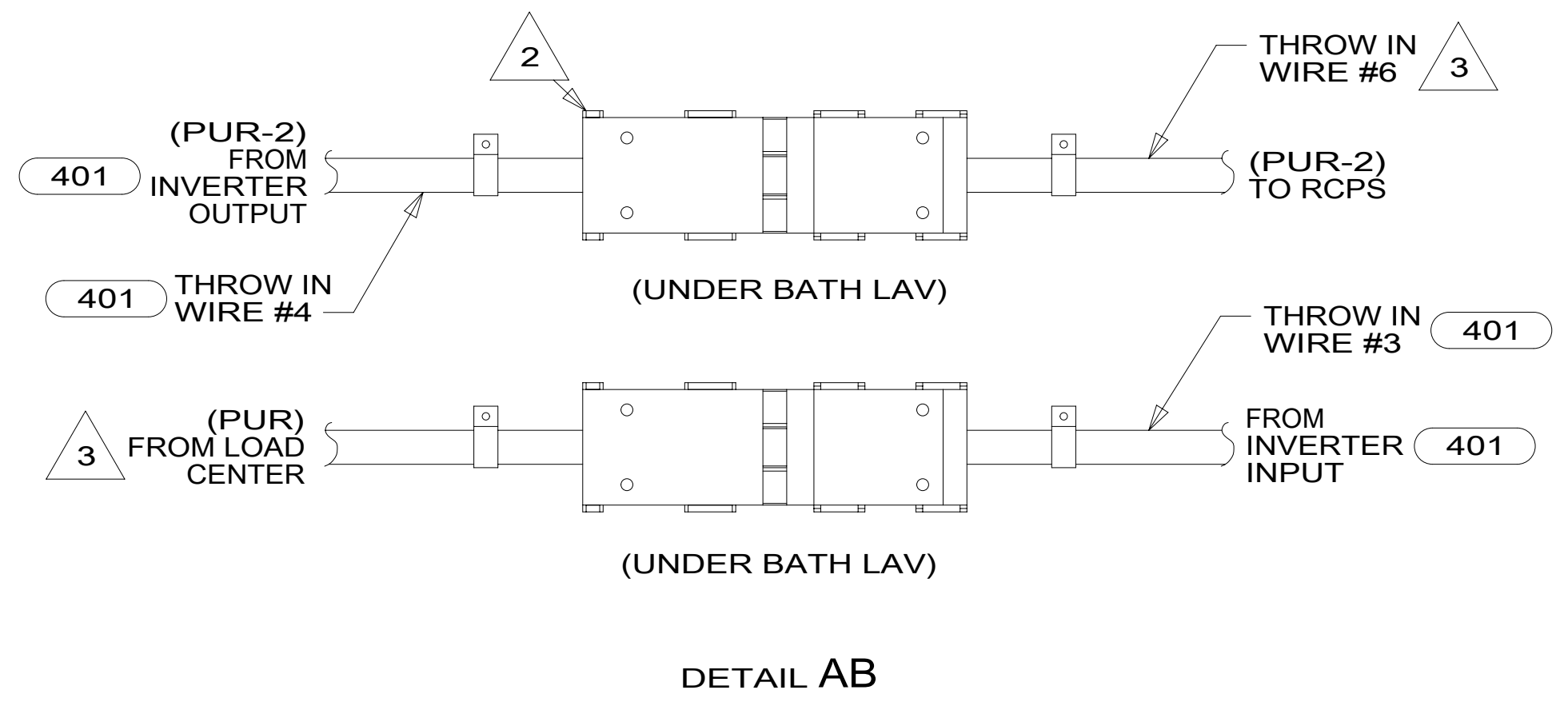
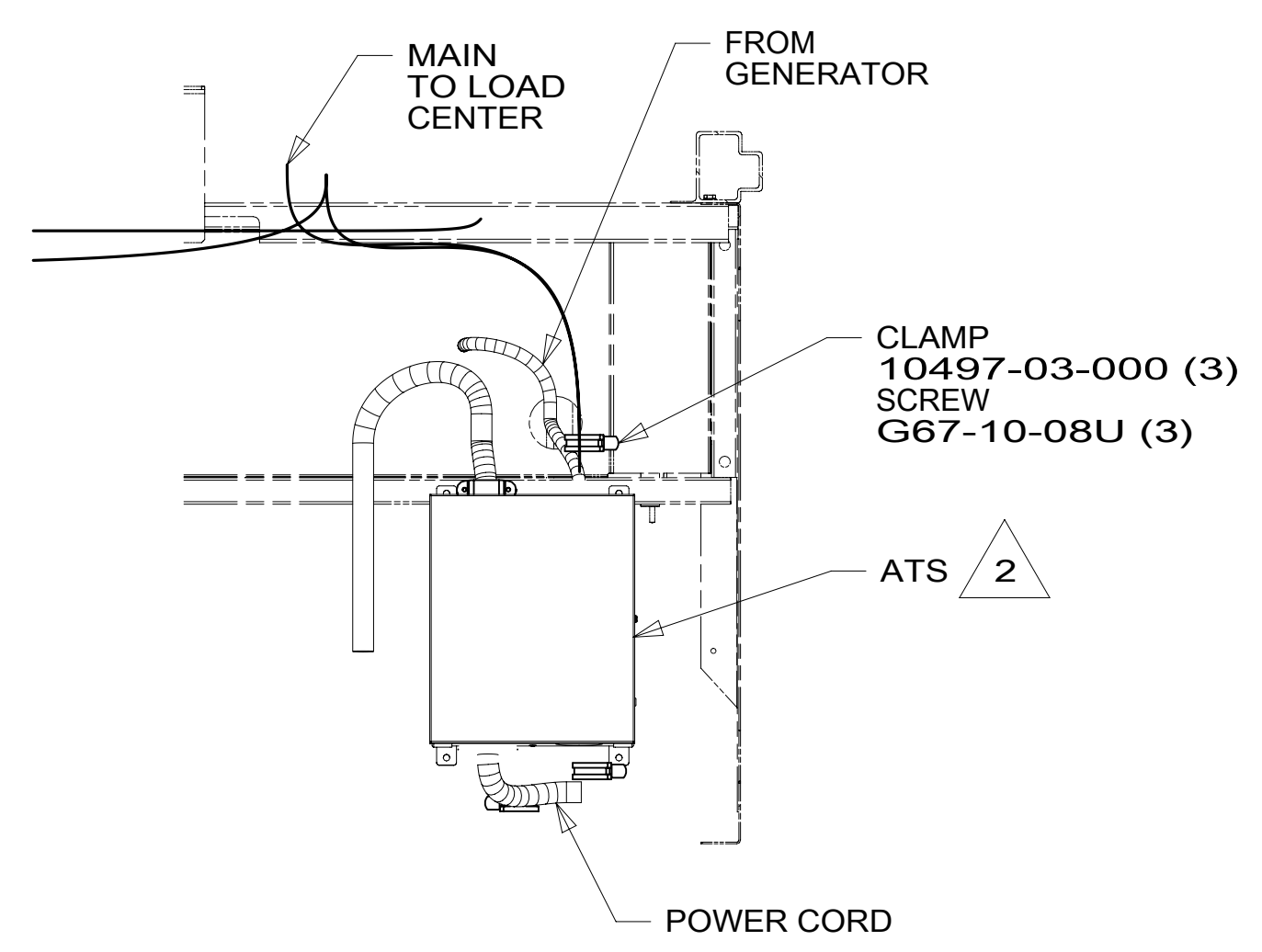


CAUTION

If you lack the skills, tools or equipment to perform diagnostic or repair work leave such work to an authorized Winnebago Industries dealer or other qualified shop.

DRAWING NO.	FEATURE
189611-12	1B1 78J
189611-16	265 78J

RELEASE A	REV/DATE	DWG NO. 189611
REV ZONE	REVISION RECORD	DATE DFT-ORIG



5. AT MINIMUM ALL WIRES TO BE SUPPORTED AND SECURED PER CODE REQUIREMENTS. USE CLAMP 10495 OR 10497 OR WIRE TIE 8343 OR 108046 AND SCREW G67-XX-XXX OR G56-XX-XXX AS APPROPRIATE FOR INSTALLATION.
- 4 WIRE ROUTED THROUGH FLOOR IN THIS AREA.
- 3 WITHOUT INVERTER THROW IN #2 (PUR-2) CONNECTS TO (PUR) FROM LOAD CENTER.
- 2 SEE LOAD CENTER/ATS ASM FOR ADDITIONAL INFORMATION.

1. WIRES ROUTED UNDER FLOOR.

NOTES:

FOR ELECTRICAL TORQUE SPECIFICATIONS SEE DWG NO. 128783-01-000

FOR ELECTRICAL CALLOUTS SEE DWG NO. 121339-01-000

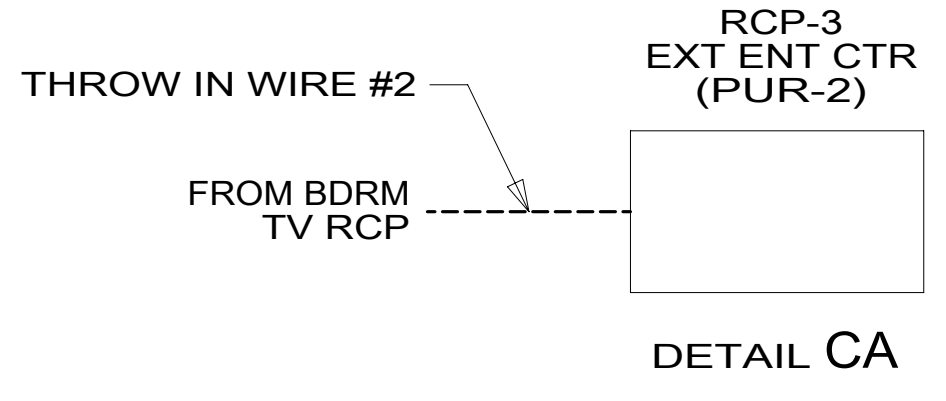
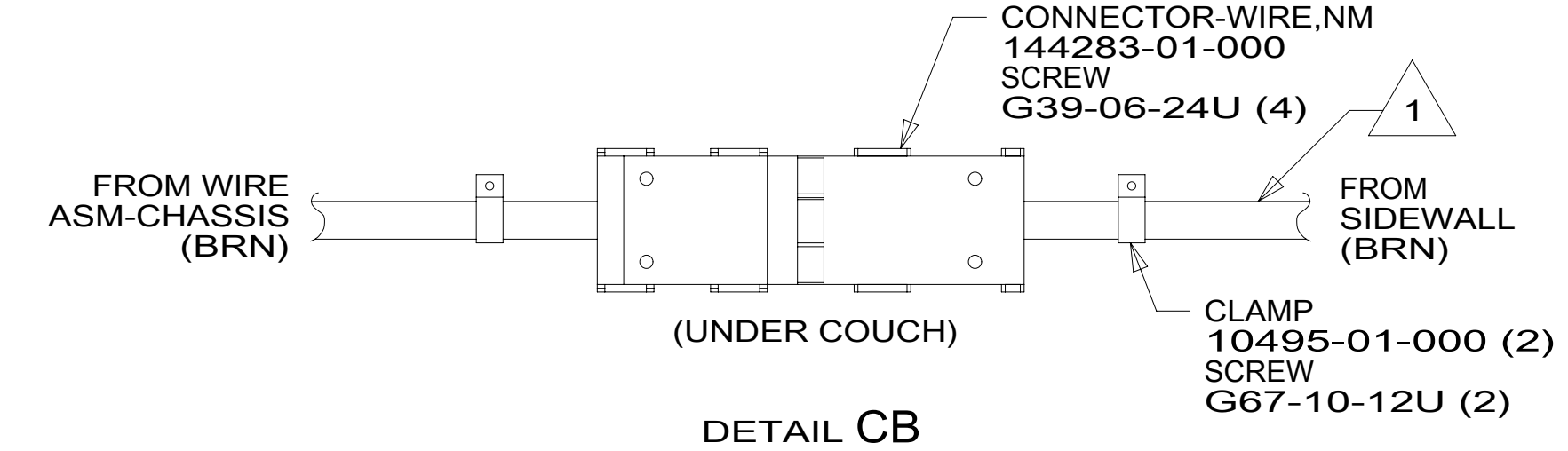
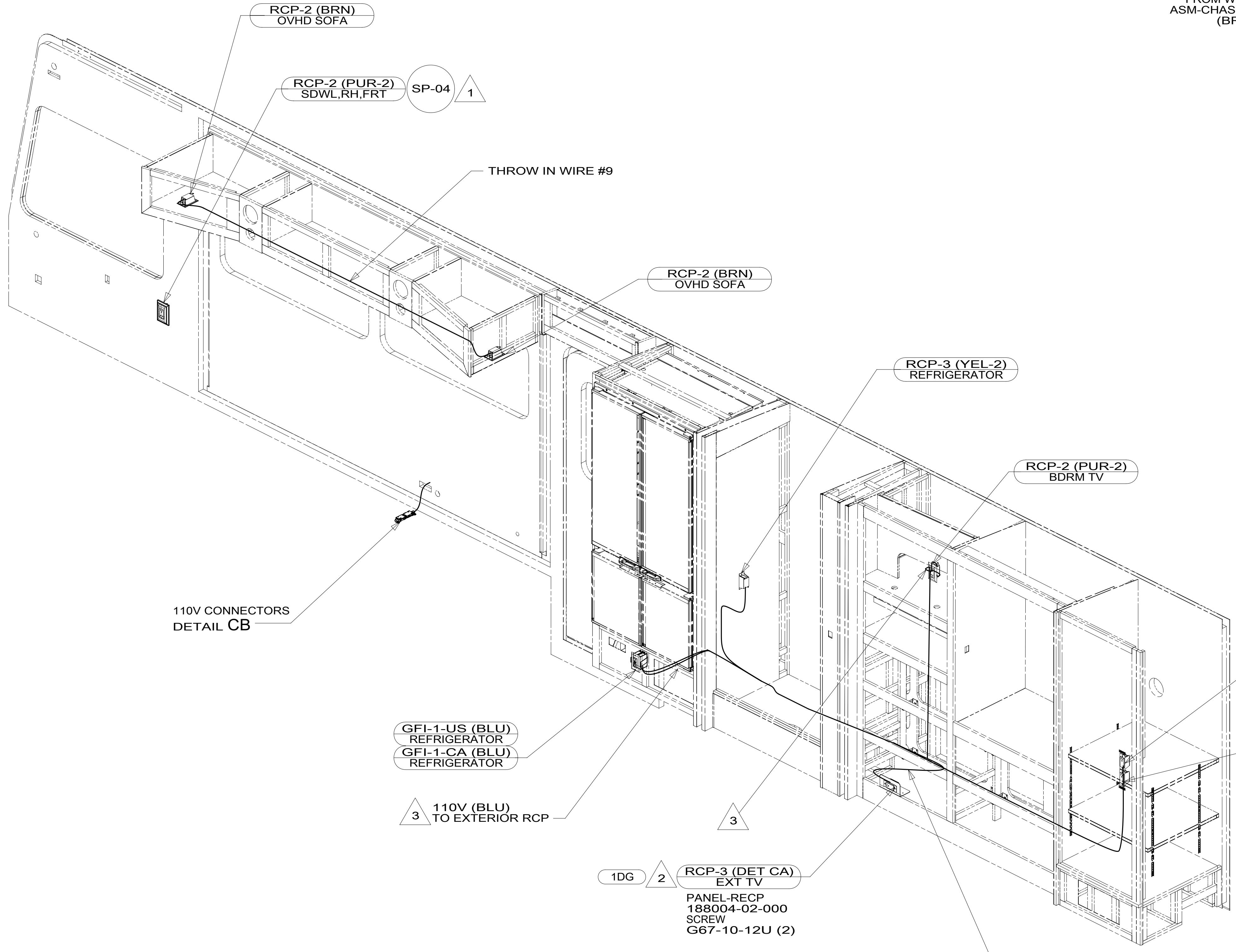
- 78J ELECTRICAL SYSTEM-50 AMP
- 401 INVERTER-DC/AC, 1000 WATT
- 265 CODES/STANDARDS-CSA/CMVSS
- 1B1 CODES/STANDARDS USA

1B1 265

WINNEBAGO COPYRIGHT 2014 WINNEBAGO INDUSTRIES, INC.

DFT-ORIG	ORIG. DATE
CHKR	ALL DIMENSIONS ARE IN MILLIMETERS
P.E.	FIRST USED
M.E.	15 D35G
DSNR	MATERIAL:
UNSPECIFIED TOLERANCES ARE:	
WHOLE DIM (X)	: 3
ONE-PLACE (X.X)	: 1.5
TWO-PLACE (X.XX)	: 0.50
ANGLE	: 1°
THIRD ANGLE PROJECTION	
DO NOT SCALE DRAWING	REFER TO ES0018 FOR FASTENER TIGHTENING GUIDELINES
TITLE: WIRING INSTL-BODY, 110V	
SHEET 1 OF 6	PART NO. 189611 REV
REF:	1 29-Sep-2015

189611



110V CONNECTORS
DETAIL CB

GFI-1-US (BLU)
REFRIGERATOR
GFI-1-CA (BLU)
REFRIGERATOR

3 110V (BLU)
TO EXTERIOR RCP

1DG 2 RCP-3 (DET CA)
EXT TV
PANEL-RCBP
188004-02-000
SCREW
G67-10-12U (2)

RCP-3 (GLD)
WASHER
LABEL
158542-01-CHT 21M 265

RCP-3 (GLD-2)
DRYER
LABEL
158542-01-CHT 21M 265

THROW IN WIRE #2 1DG 2

4. AT MINIMUM ALL WIRES TO BE SUPPORTED AND SECURED PER CODE REQUIREMENTS. USE CLAMP 10495 OR 10497 OR WIRE TIE 8343 OR 108046 AND SCREW G67-XX-XXX OR G56-XX-XXX AS APPROPRIATE FOR INSTALLATION.

3 WIRES ROUTE THRU FLOOR IN THIS AREA.

2 SEE LOAD CENTER/ATS INSTALLATION FOR ADDITIONAL INFORMATION.

1 WIRE ROUTED IN SIDEWALL.

NOTES:

- 21M WASHER/DRYER PREP
- 1DG EXT ENTERTAIN CTR W/TV & CD
- 265 CODES/STANDARDS-CSA/CMVSS
- 1B1 CODES/STANDARDS USA

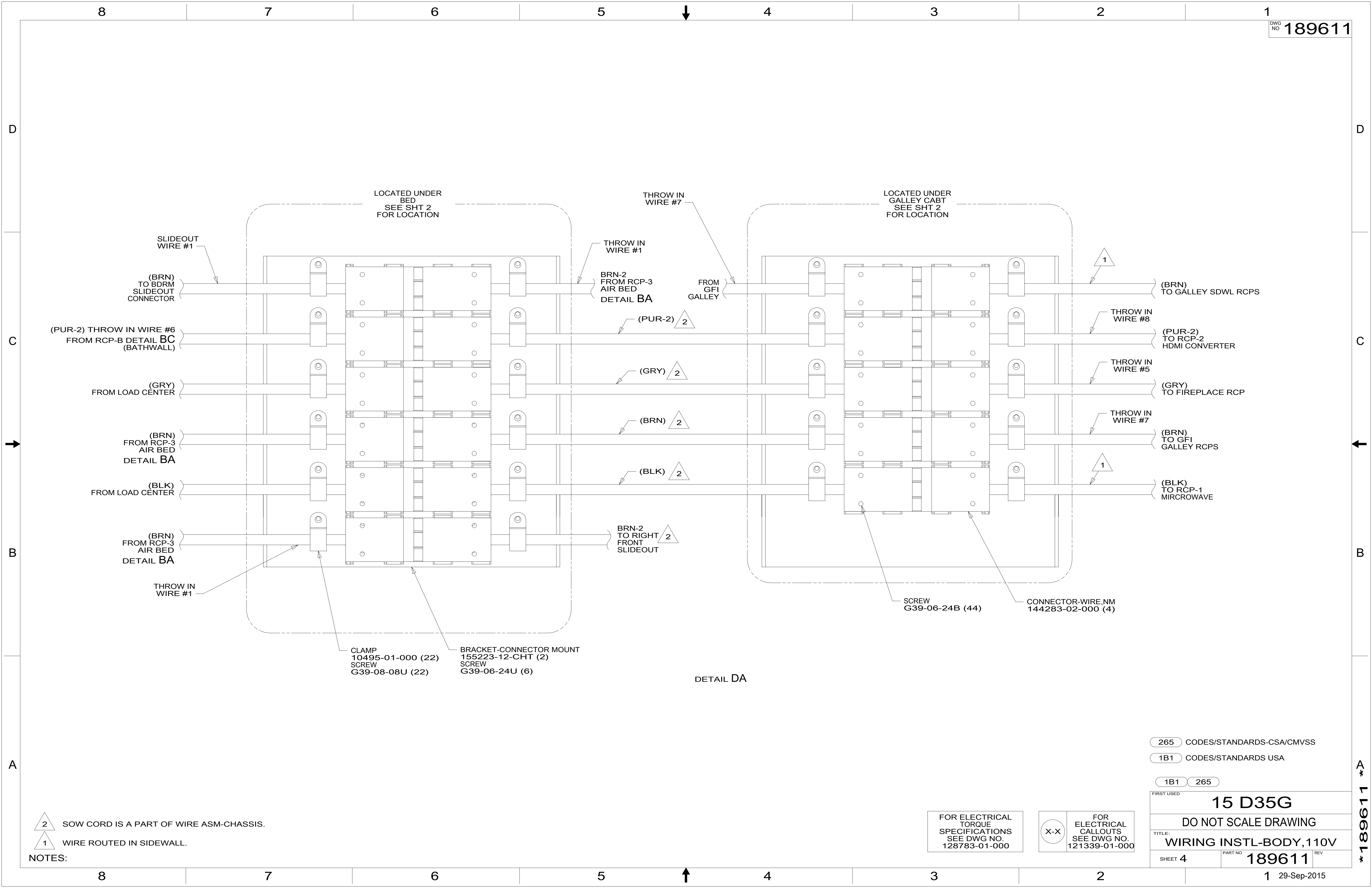
1B1 265

FOR ELECTRICAL TORQUE SPECIFICATIONS SEE DWG NO. 128783-01-000

FOR ELECTRICAL CALLOUTS SEE DWG NO. 121339-01-000

FIRST USED	
15 D35G	
DO NOT SCALE DRAWING	
TITLE: WIRING INSTL-BODY, 110V	
SHEET 3	PART NO 189611 REV

189611



2 SOW CORD IS A PART OF WIRE ASM-CHASSIS.
1 WIRE ROUTED IN SIDEWALL.

NOTES:

CLAMP 10495-01-000 (22)
SCREW G39-08-08U (22)
BRACKET-CONNECTOR MOUNT 155223-12-CHT (2)
SCREW G39-06-24U (6)

DETAIL DA

SCREW G39-06-24B (44)
CONNECTOR-WIRE,NM 144283-02-000 (4)

265 CODES/STANDARDS-CSA/CMVSS
1B1 CODES/STANDARDS USA

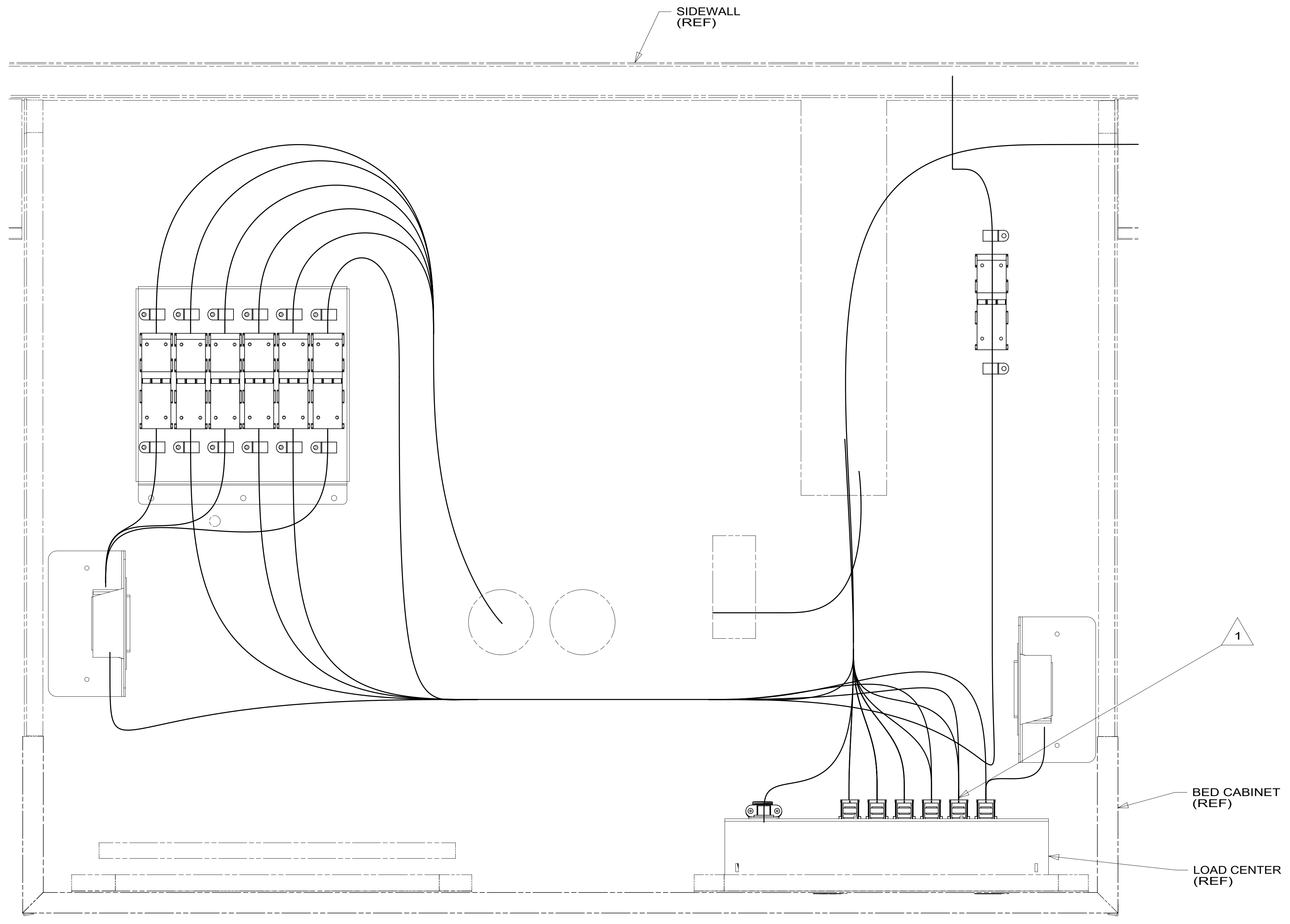
1B1 265

FOR ELECTRICAL TORQUE SPECIFICATIONS SEE DWG NO. 128783-01-000

FOR ELECTRICAL CALLOUTS SEE DWG NO. 121339-01-000

FIRST USED	15 D35G	
DO NOT SCALE DRAWING		
TITLE: WIRING INSTL-BODY, 110V		
SHEET 4	PART NO 189611	REV

189611



VIEW EA

1 CUT WIRE TIE HOLDING WIRES TO LOAD CENTER. SECURE WIRES PER CODE REQUIREMENTS. USE CLAMP 10495 OR 10497 OR WIRE TIE 8343 OR 108046 AND SCREW G67-XX-XXX OR G56-XX-XXX AS APPROPRIATE FOR INSTALLATION.

NOTES:

FOR ELECTRICAL TORQUE SPECIFICATIONS SEE DWG NO. 128783-01-000

FOR ELECTRICAL CALLOUTS SEE DWG NO. 121339-01-000

265 CODES/STANDARDS-CSA/CMVSS

1B1 CODES/STANDARDS USA

1B1 265

FIRST USED **15 D35G**

DO NOT SCALE DRAWING

TITLE: **WIRING INSTL-BODY, 110V**

SHEET 5 PART NO **189611** REV

189611

