



DANGER

Danger of electrical shock, burns or death. Always remove all power sources before attempting any repair, service or diagnostic work. Power can be present from shore power, generator, inverter or battery. All power sources must be disabled and secured before performing any service.



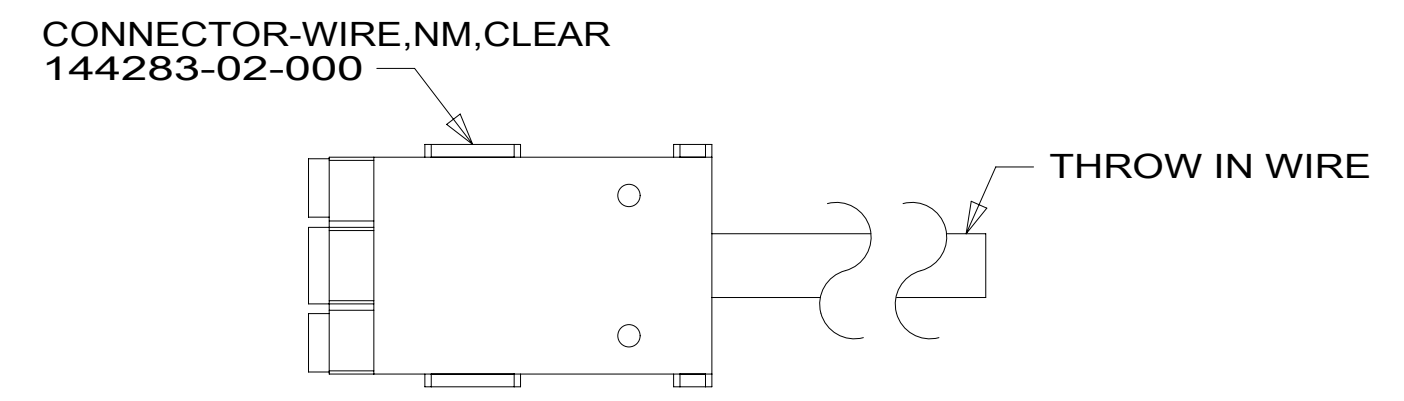
CAUTION

If you lack the skills, tools or equipment to perform diagnostic or repair work leave such work to an authorized Winnebago Industries dealer or other qualified shop.

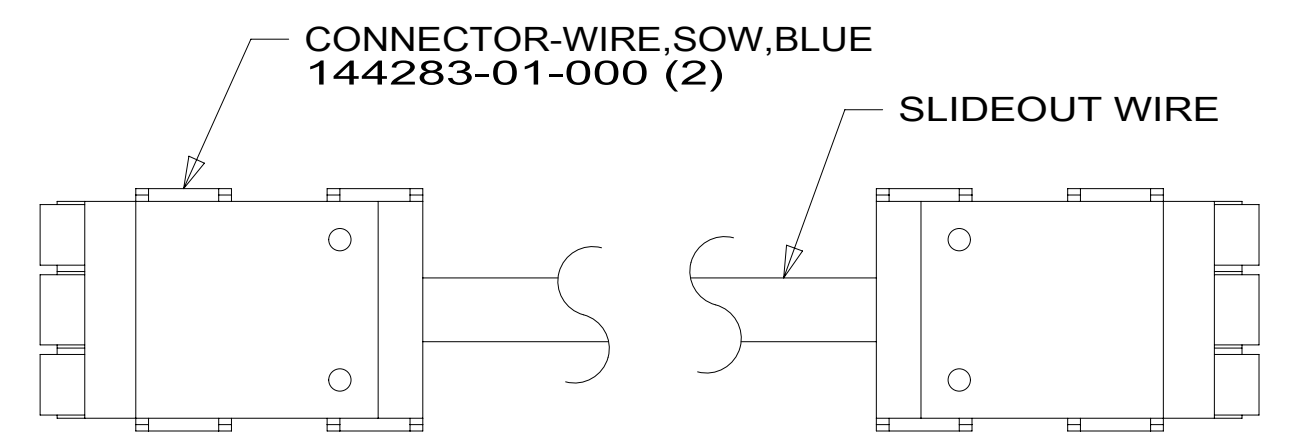
DRAWING NO.	MODEL
189520-01	J38Q
189520-02	J37F
189520-03	J32D

		J32D	J38Q	J37F
RED	1B1	136135-07-055	136135-07-065	136135-07-050
	265	136136-07-055	136136-07-065	136136-07-050
GRN	1B1	136135-08-055	136135-08-065	136135-08-050
	265	136136-08-055	136136-08-065	136136-08-050
YEL	1B1	136131-05-075 ¹	136131-05-090 ¹	136131-05-078 ¹
	265	136134-05-075 ¹	136134-05-090 ¹	136134-05-078 ¹
GLD	1B1	136131-10-055	136131-10-055	136131-10-078 ¹
	265	136134-10-055	136134-10-055	136134-10-078 ¹
GLD-2	1B1	136131-20-055	136131-20-055	136131-20-078 ¹
	265	136134-20-055	136134-20-055	136134-20-078 ¹
WHT	1B1	136135-09-060	136135-09-040	136135-09-055
	265	136136-09-060	136136-09-040	136136-09-055
BLU	1B1	136131-02-148 ¹	136131-02-085 ¹	136131-02-300 ¹
	265	136134-02-148 ¹	136134-02-085 ¹	136134-02-300 ¹
BRN	1B1	136131-03-150	136131-03-145 ¹	136131-03-078 ¹
	265	136134-03-150	136134-03-145 ¹	136134-03-078 ¹
PUR	1B1	136131-04-135	136131-04-100 ¹	136131-04-078 ¹
	265	136134-04-135	136134-04-100 ¹	136134-04-078 ¹
BLK	1B1	136131-06-075 ¹	136131-06-080 ¹	136131-06-078 ¹
	265	136134-06-075 ¹	136134-06-080 ¹	136134-06-078 ¹
GRY	1B1	136131-15-070	136131-15-085 ¹	
	265	136134-15-070	136134-15-085 ¹	

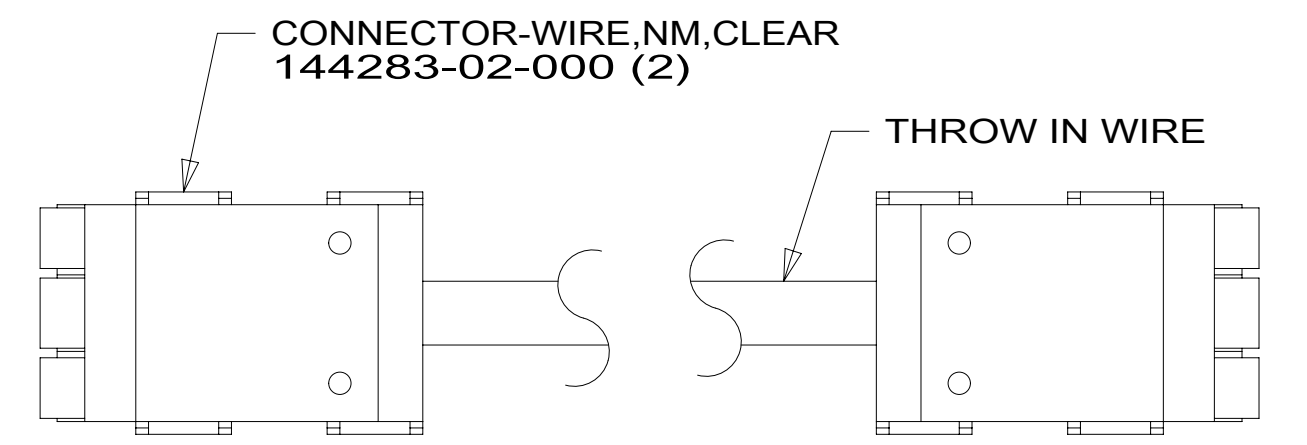
		J32D	J38Q	J37F
INVERTER CHARGER MAIN	1B1	136137-01-090	136137-01-085	136137-01-077
	265	136138-01-090	136138-01-085	136138-01-077
INVERTER CHARGER SUB MAIN	1B1	136137-01-090	136137-01-085	136137-01-077
	265	136138-01-090	136138-01-085	136138-01-077
CABLE ASM-MAIN,6 AWG		176841-01-018	176841-01-020	176841-01-058
MAIN GROUND		⁴	⁴	⁴
ATS GROUND		136145-01-012	136145-01-012	136145-01-020
INVERTER GROUND		⁴	⁴	⁴
THROW IN WIRE #1	1B1	136131-02-064 ¹	136131-04-133 ¹	136131-03-070 ¹
	265	136134-02-064 ¹	136134-04-133 ¹	136134-03-070 ¹
THROW IN WIRE #2	1B1	136131-05-010 ¹	136131-03-075	136131-04-080 ¹
	265	136134-05-010 ¹	136134-03-075	136134-04-080 ¹
THROW IN WIRE #3	1B1	136131-02-045 ¹	136131-02-040	136131-04-145 ¹
	265	136134-02-045 ¹	136134-02-040	136134-04-145 ¹
THROW IN WIRE #4	1B1	136131-02-030	136131-15-006 ¹	136131-05-028 ¹
	265	136134-02-030	136134-15-006 ¹	136134-05-028 ¹
THROW IN WIRE #5	1B1	136131-04-025 ^{49N} OR ^{23C}	136131-04-025	136131-10-044 ¹
	265	136134-04-025 ^{23C} OR ^{49N}	136134-04-025	136134-10-044 ¹
THROW IN WIRE #6	1B1	136131-04-050 ³		136131-20-043 ¹
	265	136134-04-050 ³		136134-20-043 ¹
THROW IN WIRE #7	1B1	136131-04-015 ¹		136131-04-025
	265	136134-04-015 ¹		136134-04-025
SLIDEOUT #1 WIRE #1		136151-02-040 ²	136151-04-039 ²	136151-03-027 ²
SLIDEOUT #1 WIRE #2		136151-06-040 ²	136151-03-039 ²	136151-06-027 ²
SLIDEOUT #1 WIRE #3		136151-05-040 ²	136151-05-039 ²	136151-04-027 ²
SLIDEOUT #1 WIRE #4			136151-15-039 ²	136151-05-027 ²
SLIDEOUT #1 WIRE #5				136151-10-027 ²
SLIDEOUT #1 WIRE #6				136151-20-027 ²
SLIDEOUT #2 WIRE #1		136151-04-015 ²	136151-04-020 ²	136151-04-015 ²
SLIDEOUT #3 WIRE #1		136151-04-020 ²	136151-02-023 ²	136151-02-023 ²
SLIDEOUT #3 WIRE #2			136151-06-023 ²	
SLIDEOUT #4 WIRE #1		136151-02-023 ²		



DETAIL AA



DETAIL AB



DETAIL AC

- ^{49N} AIR SLEEP SYSTEM - KING SIZE
- ^{23C} BED-KING OFF SIDEWALL
- ^{1B2} WTR HTR-10GAL/ELEC/LP/MTRAIID
- ^{14C} FIREPLACE-ELECTRIC
- ²⁶⁵ CODES/STANDARDS-CSA/CMVSS
- ^{1B1} CODES/STANDARDS USA

WINNEBAGO COPYRIGHT 2014 WINNEBAGO INDUSTRIES, INC.

UNSPECIFIED TOLERANCES ARE:
 WHOLE DIM (X) : 3
 ONE-PLACE (X.X) : 1.5
 TWO-PLACE (X.XX) : 0.50
 ANGLE : 1°

THIRD ANGLE PROJECTION

DO NOT SCALE DRAWING REFER TO ES0018 FOR FASTENER TIGHTENING GUIDELINES

TITLE: **LOAD CENTER/ATS ASM**

SHEET 1 OF 3 PART NO. **189520** REV

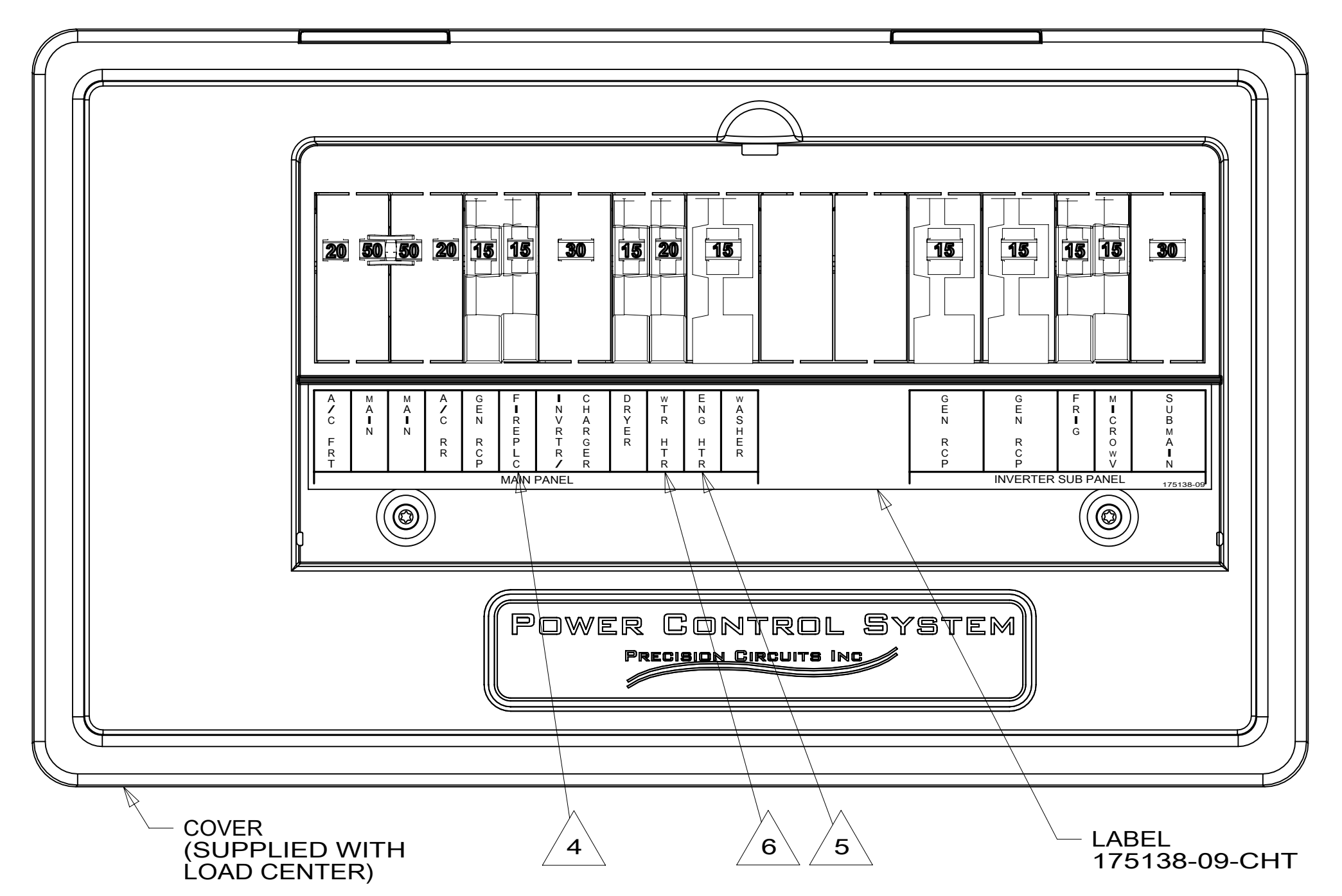
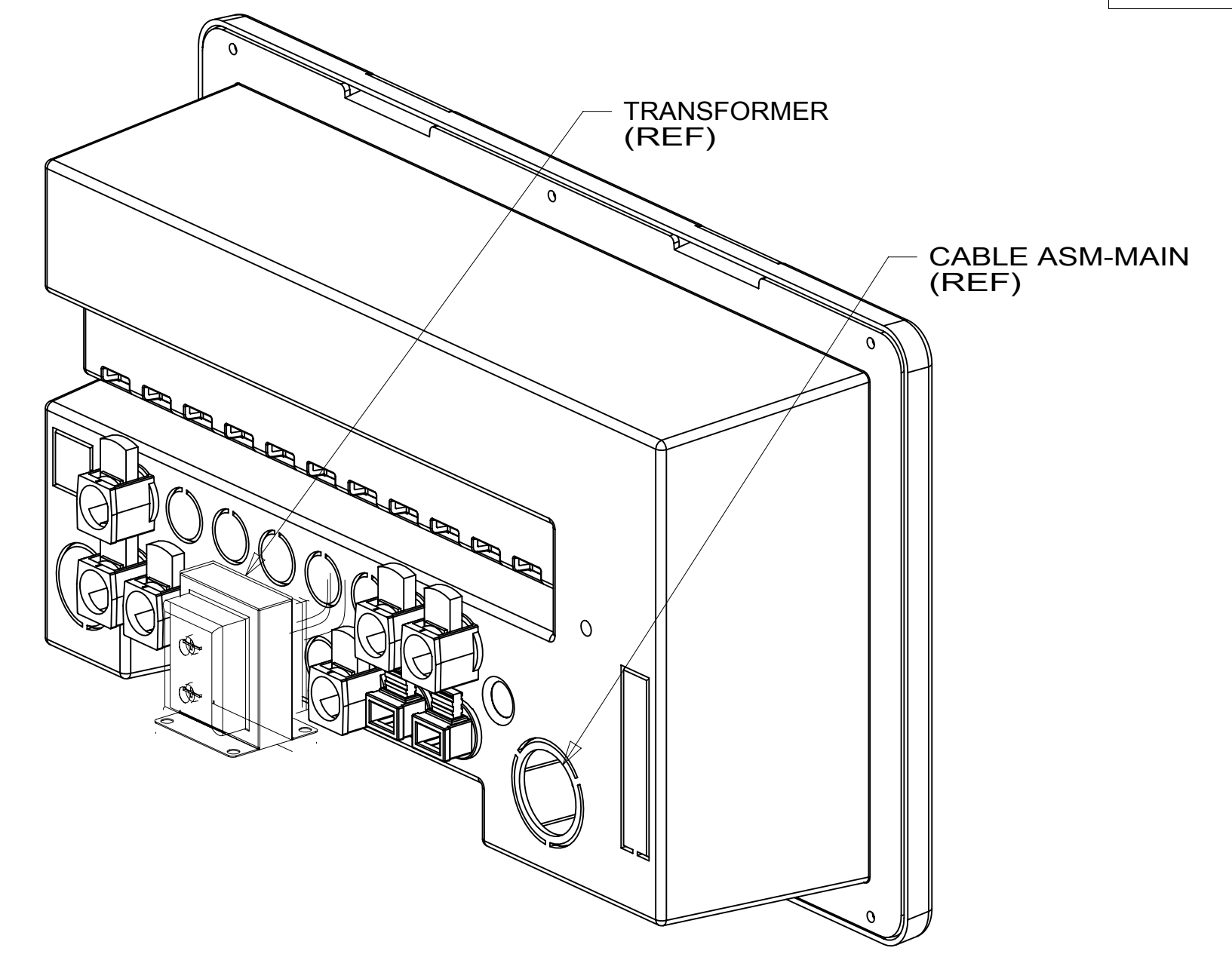
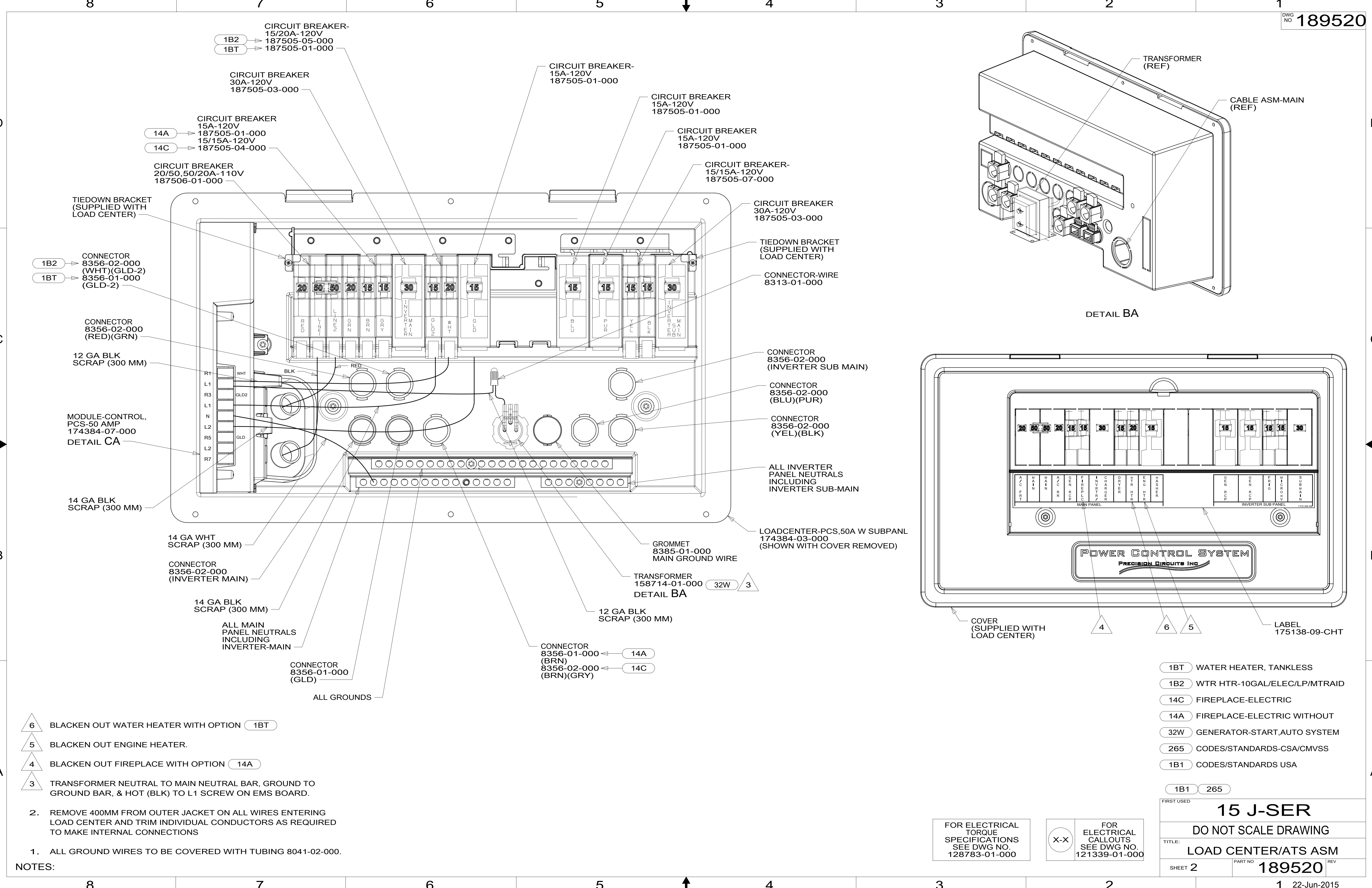
REF: 1 22-Jun-2015

- NOTES:
- ⁴ PART OF WIRE ASM-CHASSIS.
 - ³ SEE DETAIL AC FOR CONNECTOR INSTALLATION.
 - ² SEE DETAIL AB FOR CONNECTOR INSTALLATION.
 - ¹ SEE DETAIL AA FOR CONNECTOR INSTALLATION.

FOR ELECTRICAL TORQUE SPECIFICATIONS SEE DWG NO. 128783-01-000

FOR ELECTRICAL CALLOUTS SEE DWG NO. 121339-01-000

189520



D
C
B
A

D
C
B
A

- 6 BLACKEN OUT WATER HEATER WITH OPTION 1BT
- 5 BLACKEN OUT ENGINE HEATER.
- 4 BLACKEN OUT FIREPLACE WITH OPTION 14A
- 3 TRANSFORMER NEUTRAL TO MAIN NEUTRAL BAR, GROUND TO GROUND BAR, & HOT (BLK) TO L1 SCREW ON EMS BOARD.

2. REMOVE 400MM FROM OUTER JACKET ON ALL WIRES ENTERING LOAD CENTER AND TRIM INDIVIDUAL CONDUCTORS AS REQUIRED TO MAKE INTERNAL CONNECTIONS
1. ALL GROUND WIRES TO BE COVERED WITH TUBING 8041-02-000.

NOTES:

- 1BT WATER HEATER, TANKLESS
- 1B2 WTR HTR-10GAL/ELEC/LP/MTRAIID
- 14C FIREPLACE-ELECTRIC
- 14A FIREPLACE-ELECTRIC WITHOUT
- 32W GENERATOR-START,AUTO SYSTEM
- 265 CODES/STANDARDS-CSA/CMVSS
- 1B1 CODES/STANDARDS USA

1BT 265

FIRST USED

15 J-SER

DO NOT SCALE DRAWING

TITLE: **LOAD CENTER/ATS ASM**

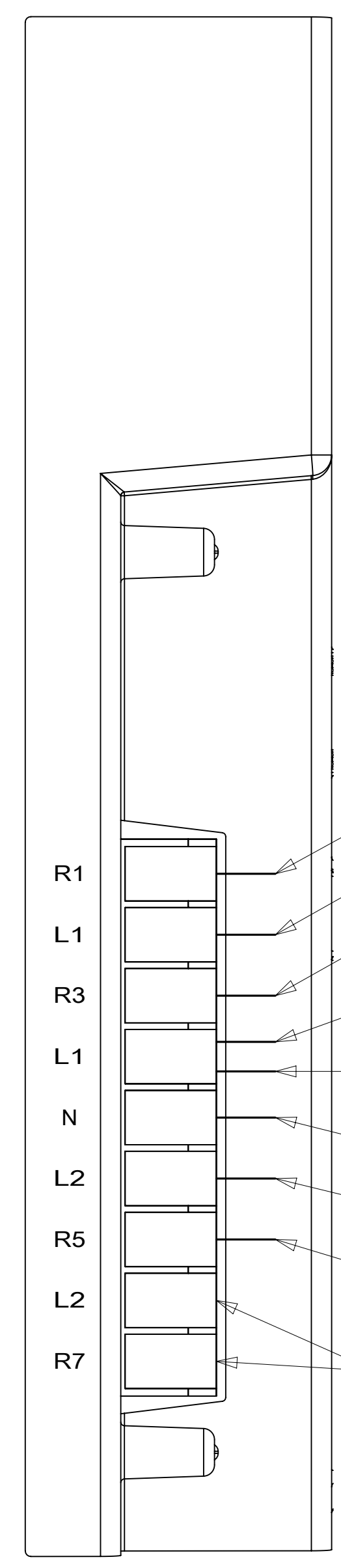
SHEET 2 PART NO **189520** REV

1 22-Jun-2015

FOR ELECTRICAL TORQUE SPECIFICATIONS SEE DWG NO. 128783-01-000

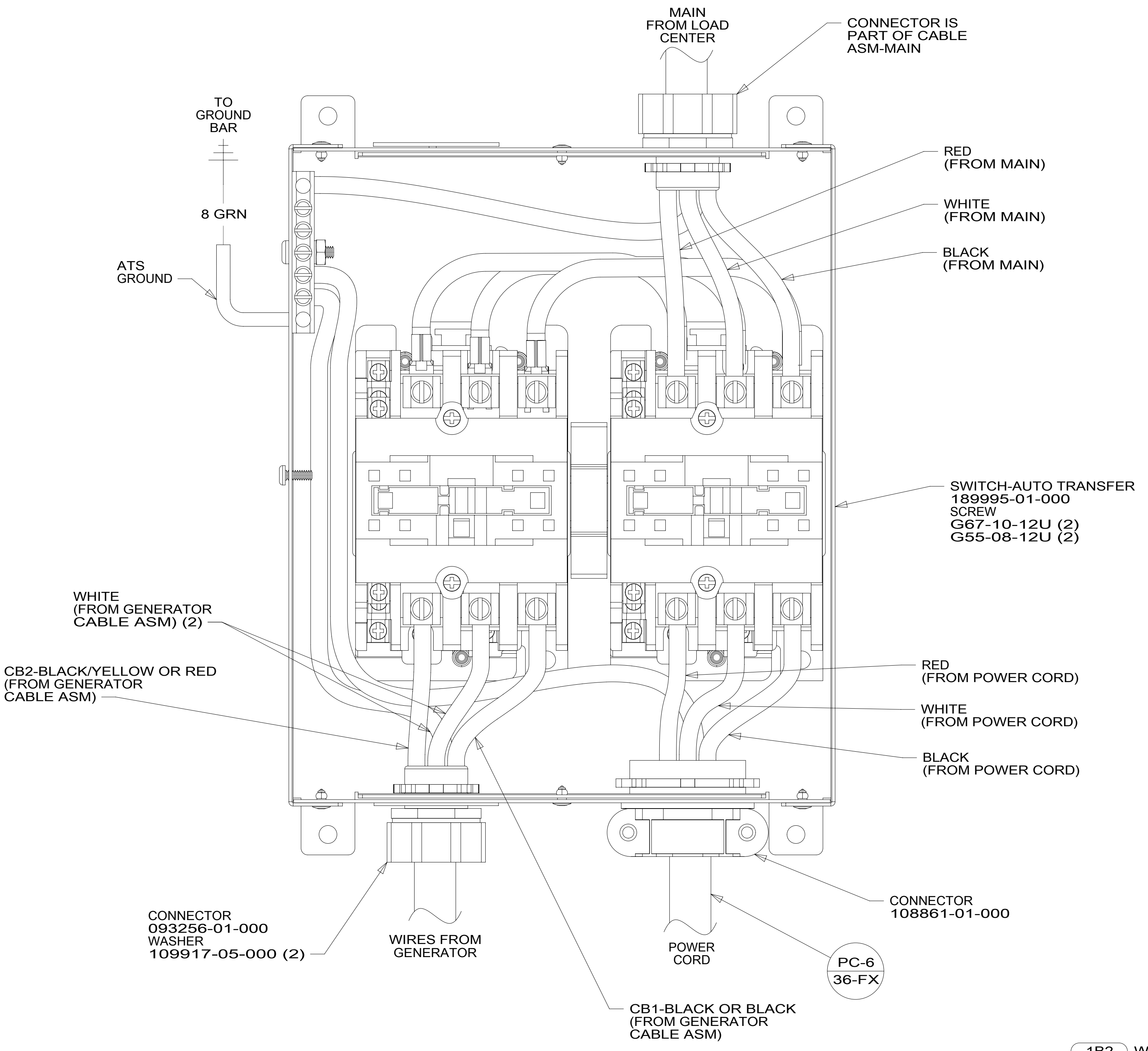
FOR ELECTRICAL CALLOUTS SEE DWG NO. 121339-01-000

189520



DETAIL CA

- WHT WIRE TO WATER HTR (1B2)
- FROM WHT BREAKER (1B2)
- GLD2 WIRE TO DRYER
- TO TRANSFORMER (32W)
- FROM GLD2 BREAKER
- TO NEUTRAL BAR
- FROM GLD BREAKER
- GLD WIRE TO WASHER
- NOT USED



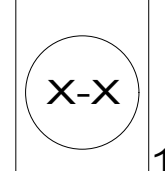
- MAIN FROM LOAD CENTER
- CONNECTOR IS PART OF CABLE ASM-MAIN
- RED (FROM MAIN)
- WHITE (FROM MAIN)
- BLACK (FROM MAIN)
- TO GROUND BAR
- 8 GRN
- ATS GROUND
- SWITCH-AUTO TRANSFER 18995-01-000 SCREW G67-10-12U (2) G55-08-12U (2)
- WHITE (FROM GENERATOR CABLE ASM) (2)
- CB2-BLACK/YELLOW OR RED (FROM GENERATOR CABLE ASM)
- RED (FROM POWER CORD)
- WHITE (FROM POWER CORD)
- BLACK (FROM POWER CORD)
- CONNECTOR 093256-01-000 WASHER 109917-05-000 (2)
- WIRES FROM GENERATOR
- POWER CORD
- CONNECTOR 108861-01-000
- PC-6 36-FX
- CB1-BLACK OR BLACK (FROM GENERATOR CABLE ASM)

- (1B2) WTR HTR-10GAL/ELEC/LP/MTRAIID
- (32W) GENERATOR-START.AUTO SYSTEM
- (265) CODES/STANDARDS-CSA/CMVSS
- (1B1) CODES/STANDARDS USA

(1B1)	(265)
FIRST USED	
15 J-SER	
DO NOT SCALE DRAWING	
TITLE: LOAD CENTER/ATS ASM	
SHEET 3	PART NO 189520 REV

FOR ELECTRICAL TORQUE SPECIFICATIONS SEE DWG NO. 128783-01-000

FOR ELECTRICAL CALLOUTS SEE DWG NO. 121339-01-000



189520