



DANGER

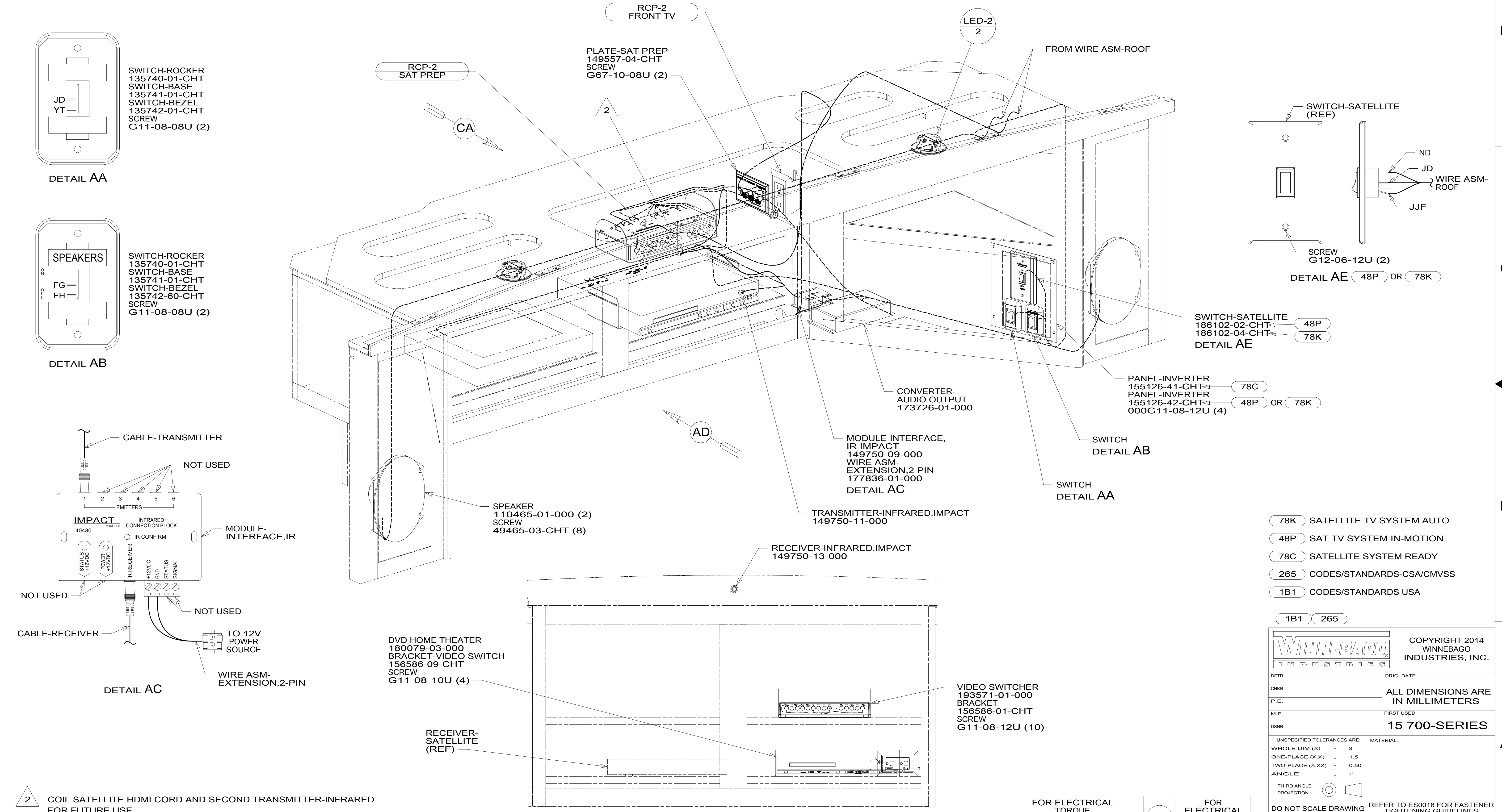
Danger of electrical shock, burns or death. Always remove all power sources before attempting any repair, service or diagnostic work. Power can be present from shore power, generator, inverter or battery. All power sources must be disabled and secured before performing any service.



CAUTION

If you lack the skills, tools or equipment to perform diagnostic or repair work leave such work to an authorized Winnebago Industries dealer or other qualified shop.

DRAWING NO.	MODEL	SHEETS
189344-01	727K	1,2,3,7
189344-02	727D	1,2,3,8
189344-03	730J	4,5,6



NOTES:
1. SEE WIRING INSTL-BODY, 12 & 110V FOR ADDITIONAL INFORMATION.

- 78K SATELLITE TV SYSTEM AUTO
- 48P SAT TV SYSTEM IN-MOTION
- 78C SATELLITE SYSTEM READY
- 265 CODES/STANDARDS-CSA/CMVSS
- 1B1 CODES/STANDARDS USA

		COPYRIGHT 2014 WINNEBAGO INDUSTRIES, INC.
DFT-ORIG	ORIG. DATE	
CHKR	ALL DIMENSIONS ARE IN MILLIMETERS	
P.E.	FIRST USED	
M.E.	15 700-SERIES	
DSNR	MATERIAL:	
UNSPECIFIED TOLERANCES ARE:		
WHOLE DIM (X)	:	3
ONE-PLACE (X.X)	:	1.5
TWO-PLACE (X.XX)	:	0.50
ANGLE	:	1°
THIRD ANGLE PROJECTION		
DO NOT SCALE DRAWING		REFER TO ES0018 FOR FASTENER TIGHTENING GUIDELINES
TITLE: WIRING INSTL-TV/DVD		
SHEET 1 OF 8	PART NO 189344	REV
REF:	1	20-Jul-2015

FOR ELECTRICAL TORQUE SPECIFICATIONS SEE DWG NO. 128783-01-000

FOR ELECTRICAL CALLOUTS SEE DWG NO. 121339-01-000

189344

TV-29" FLAT
 PANEL ELED,HDTV
 190571-02-000
 SCREW
 (SUPPLIED WITH TV)

BRACKET ASM-MOUNT,TV
 191809-01-XXX
 SCREW
 000G39-10-16U (5)

WIRES/CABLES ROUTED
 OUT OF SIDEWALL IN
 THIS AREA

TAPE-FOAM, DBL COATED
 76322-21-000 (210 MM) 2

1 TIE-WIRE
 8343-02-000

TIE-WIRE
 8343-02-000 1

1 TIE-WIRE
 8343-02-000

VIEW BA
 (TV NOT SHOWN)

TIE-WIRE, MOUNT
 155366-01-000 (2)
 TIE-WIRE
 8343-02-000 (2)

SLEEVE-BRAIDING
 139049-01-000 3

CONNECTOR-F,90
 176986-01-000

CONNECTOR-RCA,90
 179394-01-000 (5)

MOUNT TV BRACKET SO
 THAT SLOT IN BRACKET
 LINES UP WITH SLOT
 IN SIDEWALL

CONNECTOR-HDMI,90
 179395-02-000

VIEW BB

- NOTES:
- 3 COVER WIRES, COAX, AND RCA-CABLES THAT ARE ROUTED TO THE TV WITH BRAIDED SLEEVING AND SECURE TO TV BRACKET WITH TIE-WIRE.
 - 2 CLEAN AND APPLY ADHESIVE PROMOTOR 87211-01-000 TO BOTH SURFACES AND BOND WHERE BRACKET CONTACTS PLASTIC TV CASE.
 - 1 USE HOLES ON PLATE-MOUNTING,TV TO ATTACH WIRE ASM TO PLATE-MOUNTING,TV WITH WIRE TIES.

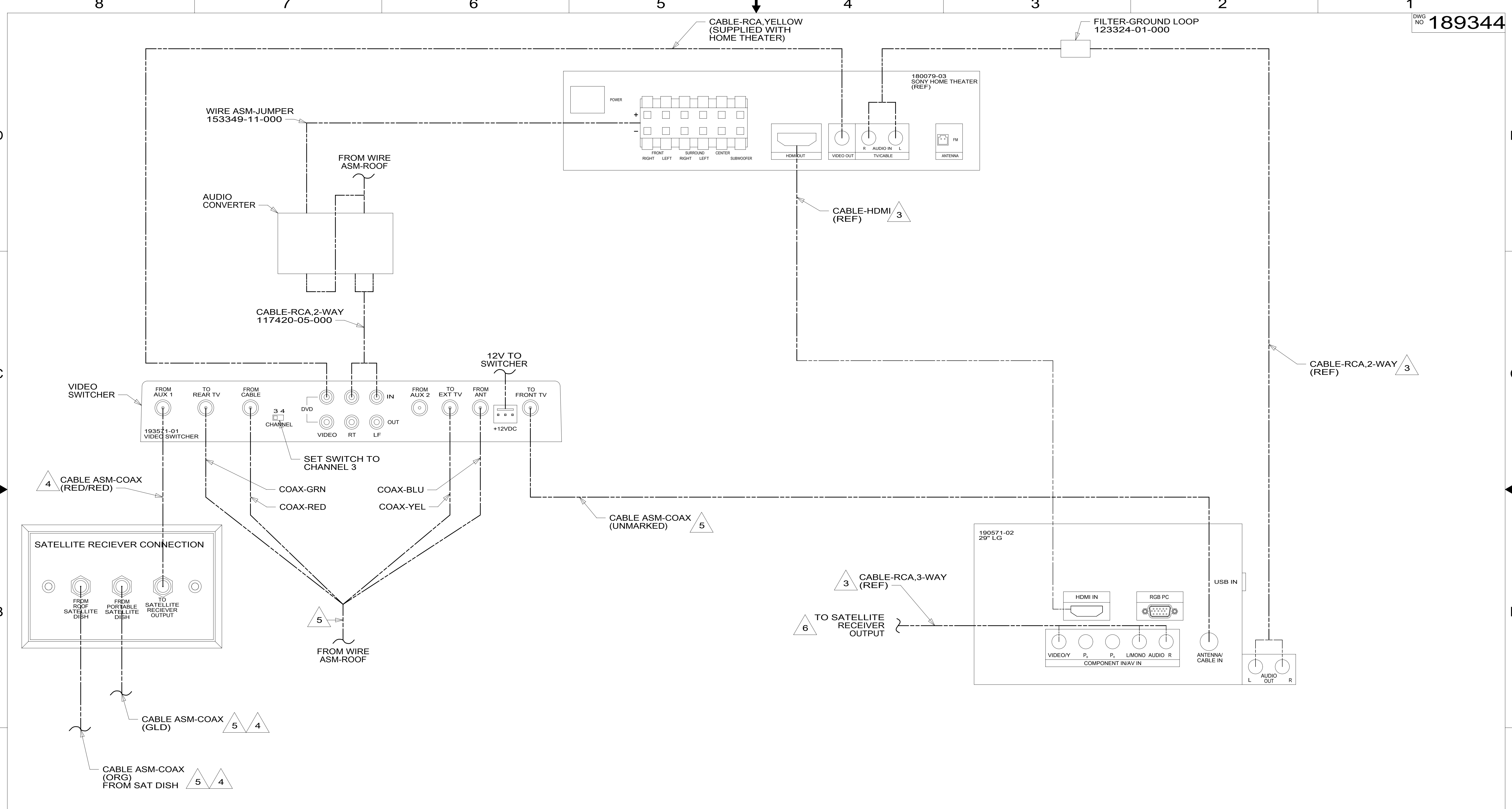
FOR ELECTRICAL
 TORQUE
 SPECIFICATIONS
 SEE DWG NO.
 128783-01-000

FOR
 ELECTRICAL
 CALLOUTS
 SEE DWG NO.
 121339-01-000

- 68Y TV - MAIN
- 265 CODES/STANDARDS-CSA/CMVSS
- 1B1 CODES/STANDARDS USA

1B1	265	68Y
FIRST USED		
15 700-SERIES		
DO NOT SCALE DRAWING		
TITLE: WIRING INSTL-TV/DVD		
SHEET 2	PART NO 189344	REV

*189344 *A



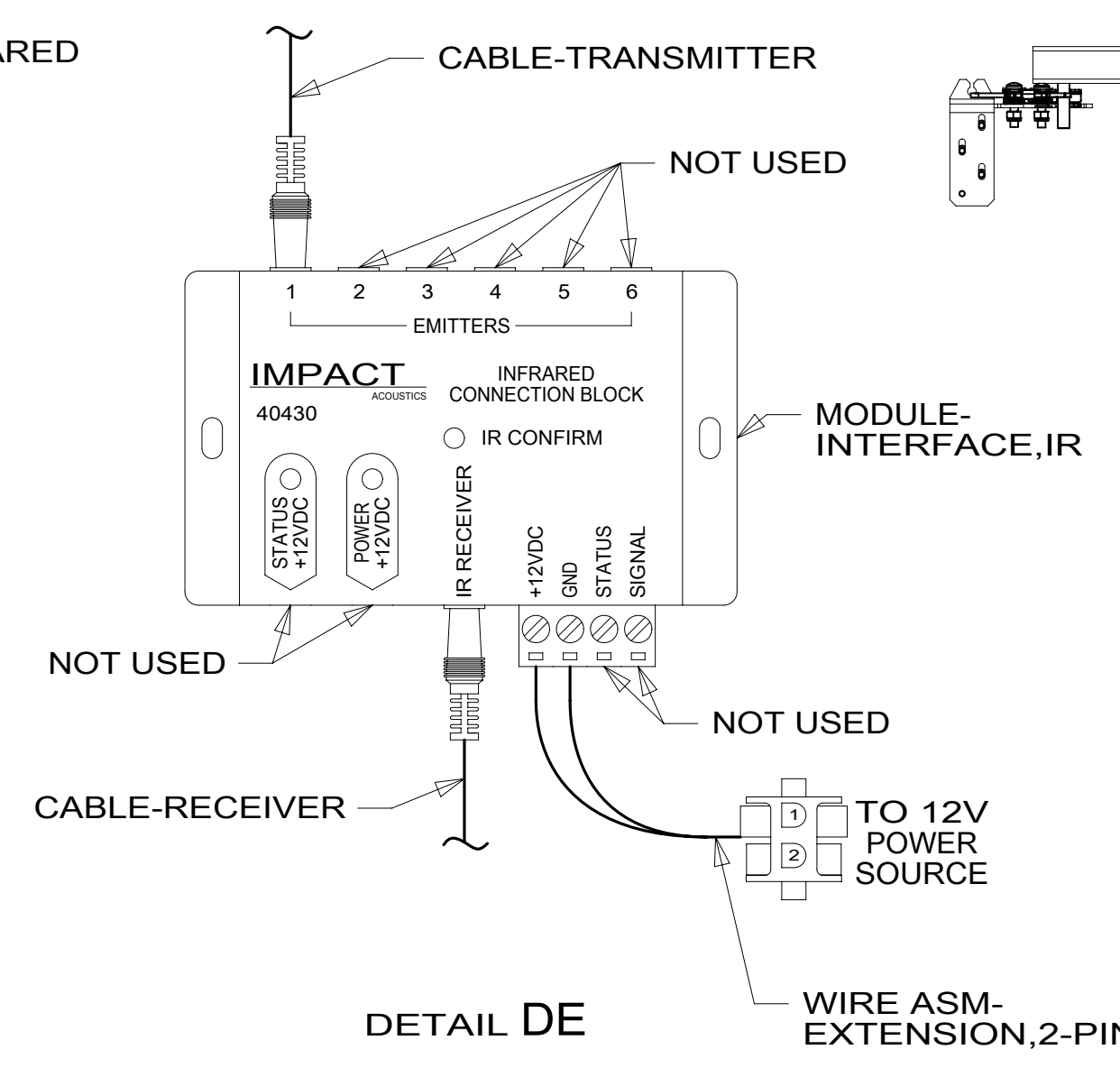
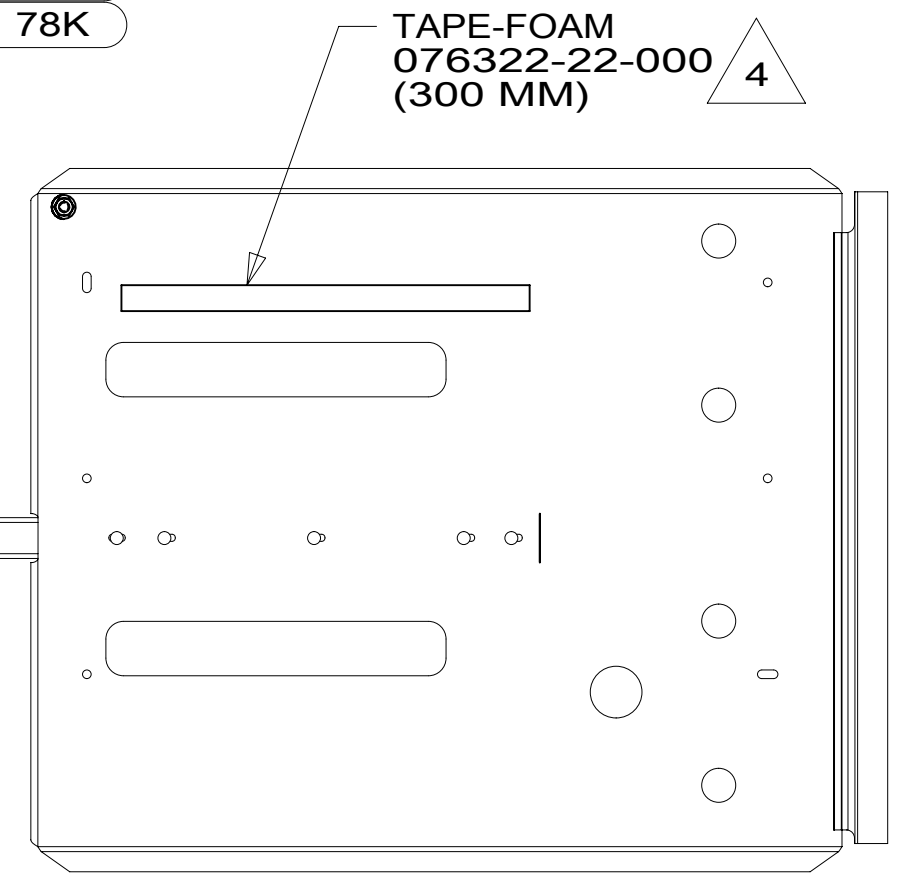
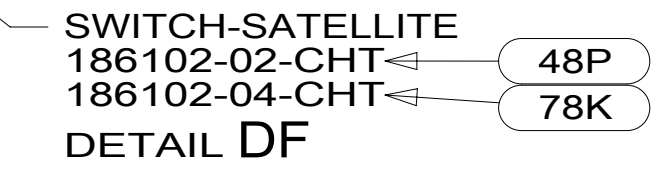
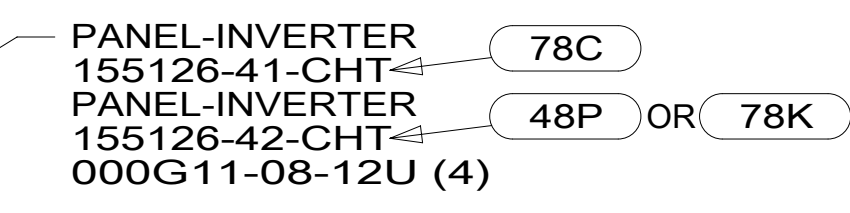
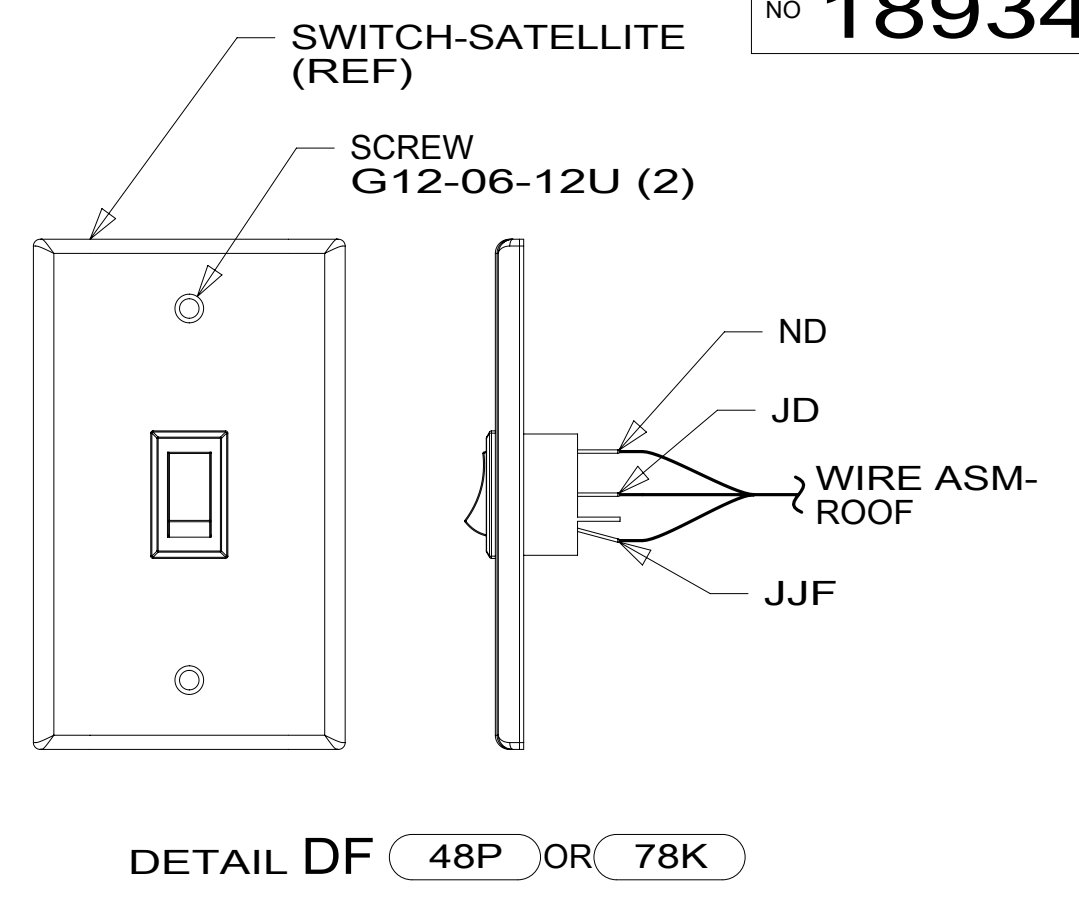
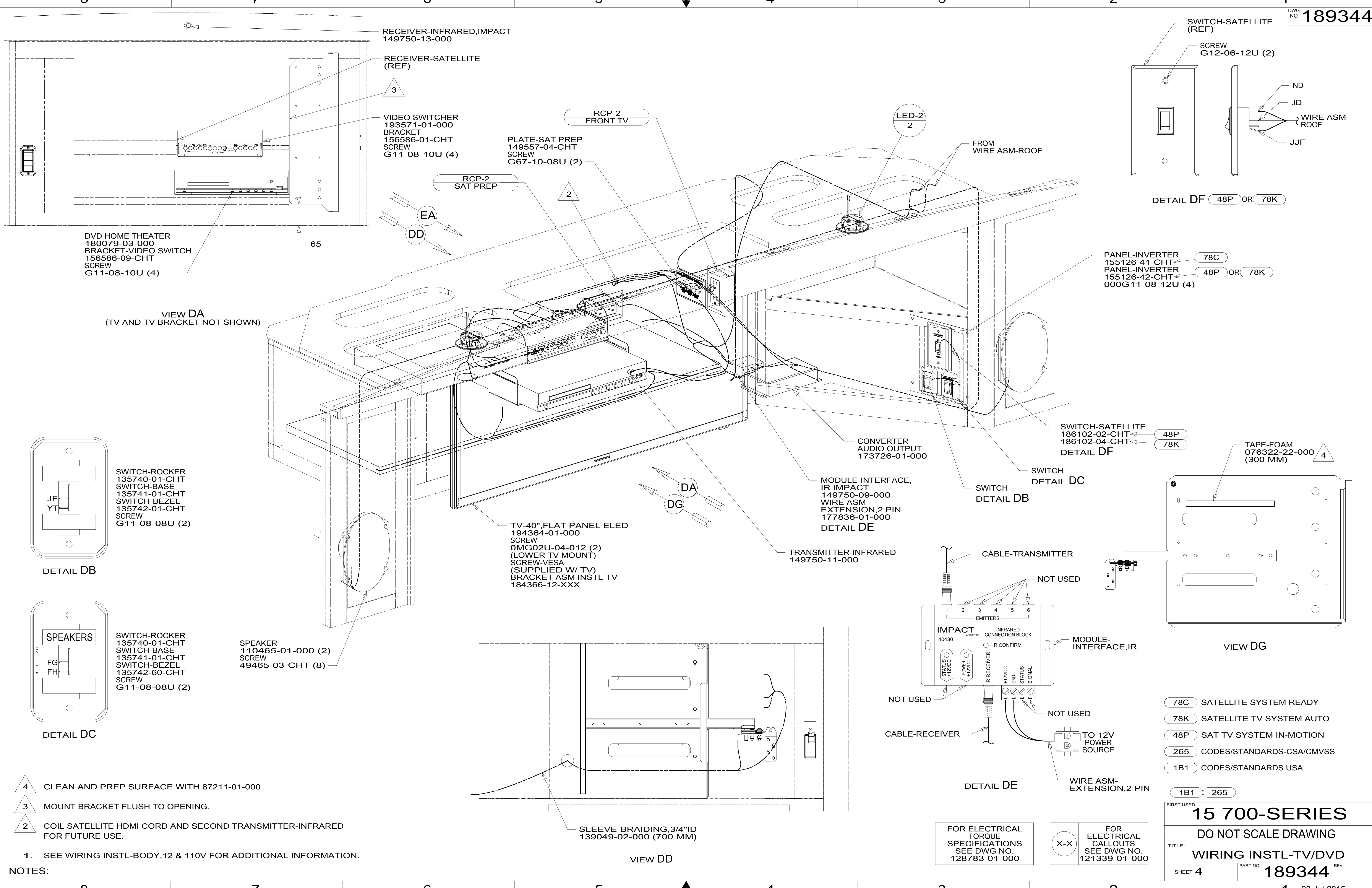
- NOTES:
- 6 ROUTE & COIL IN OVHD FOR FUTURE USE.
 - 5 COAX IS FROM WIRE ASM-ROOF.
 - 4 CONNECTS TO BACK SIDE OF PLATE.
 - 3 CABLE IS ROUTED IN ROOF.
 - 2. ALL CONNECTIONS ARE SHOWN FROM BACKSIDE OF COMPONENTS.
 - 1. SEE WIRING INSTL-BODY, 12V FOR ADDITIONAL INFORMATION.

265	CODES/STANDARDS-CSA/CMVSS
1B1	CODES/STANDARDS USA
1B1	265
FIRST USED	
15 700-SERIES	
DO NOT SCALE DRAWING	
TITLE: WIRING INSTL-TV/DVD	
SHEET 3	PART NO. 189344 REV

FOR ELECTRICAL TORQUE SPECIFICATIONS SEE DWG NO. 128783-01-000

X-X FOR ELECTRICAL CALLOUTS SEE DWG NO. 121339-01-000

189344



- 78C SATELLITE SYSTEM READY
- 78K SATELLITE TV SYSTEM AUTO
- 48P SAT TV SYSTEM IN-MOTION
- 265 CODES/STANDARDS-CSA/CMVSS
- 1B1 CODES/STANDARDS USA

FIRST USED

15 700-SERIES

DO NOT SCALE DRAWING

TITLE: **WIRING INSTL-TV/DVD**

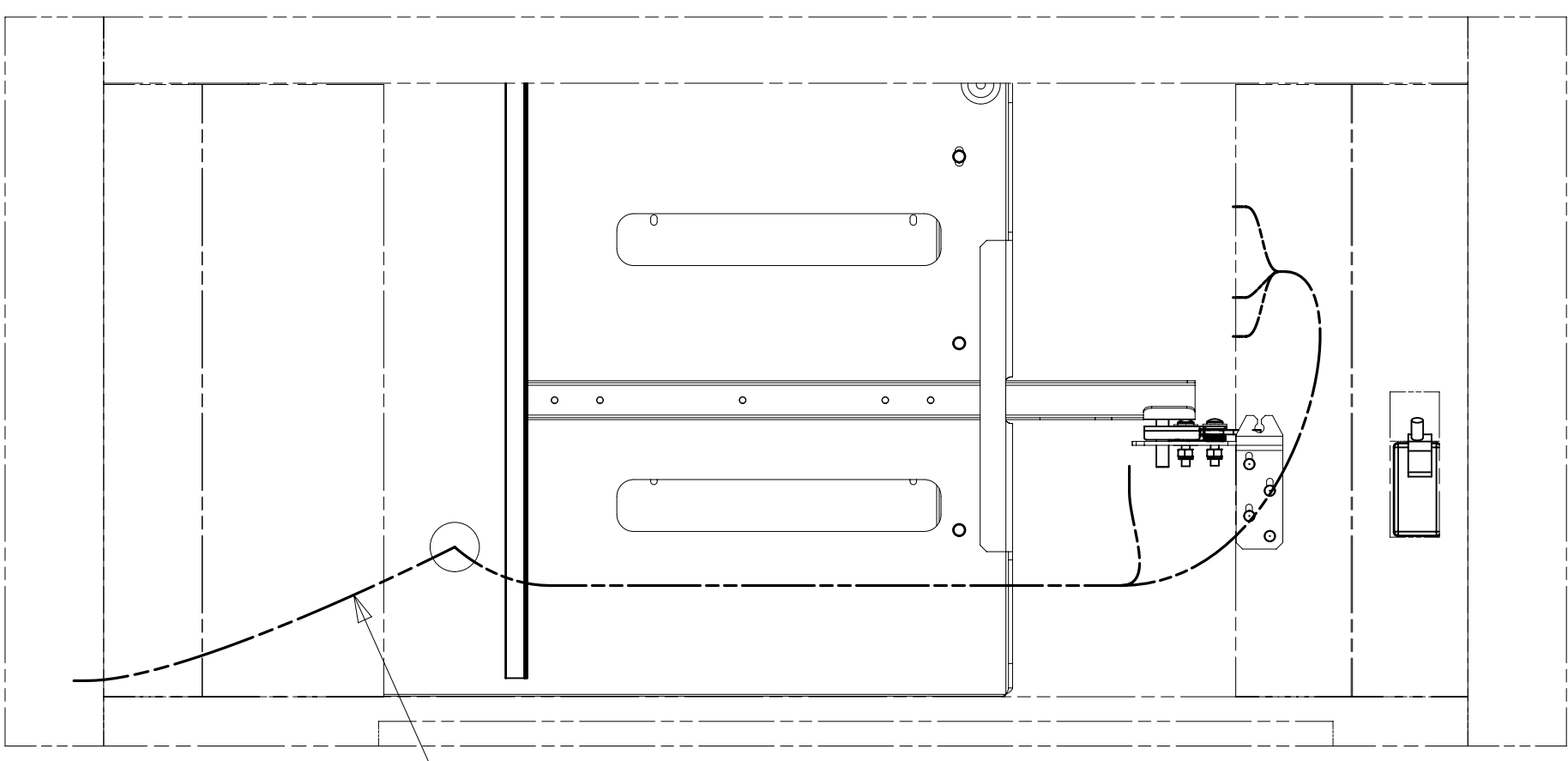
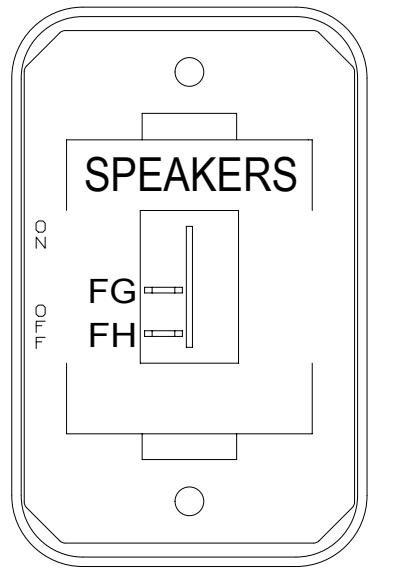
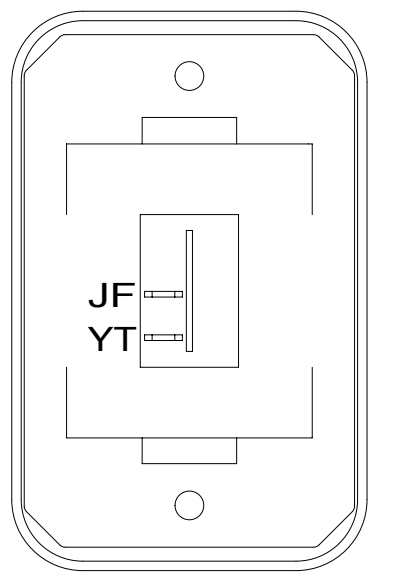
SHEET 4 PART NO **189344** REV

20-Jul-2015

FOR ELECTRICAL TORQUE SPECIFICATIONS SEE DWG NO. 128783-01-000

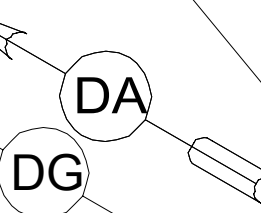
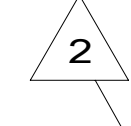
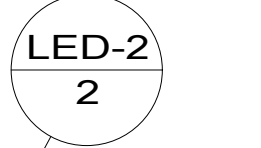
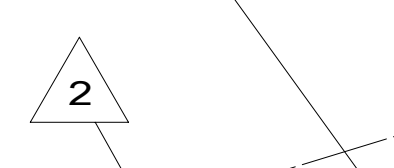
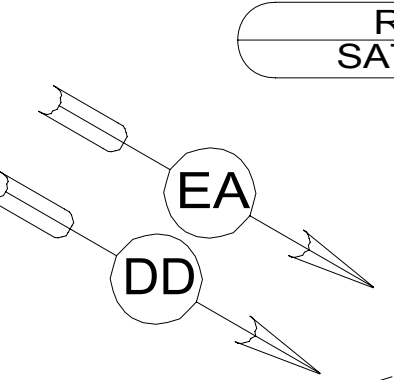
FOR ELECTRICAL CALLOUTS SEE DWG NO. 121339-01-000

- NOTES:
- 4 CLEAN AND PREP SURFACE WITH 87211-01-000.
 - 3 MOUNT BRACKET FLUSH TO OPENING.
 - 2 COIL SATELLITE HDMI CORD AND SECOND TRANSMITTER-INFRARED FOR FUTURE USE.
1. SEE WIRING INSTL-BODY, 12 & 110V FOR ADDITIONAL INFORMATION.

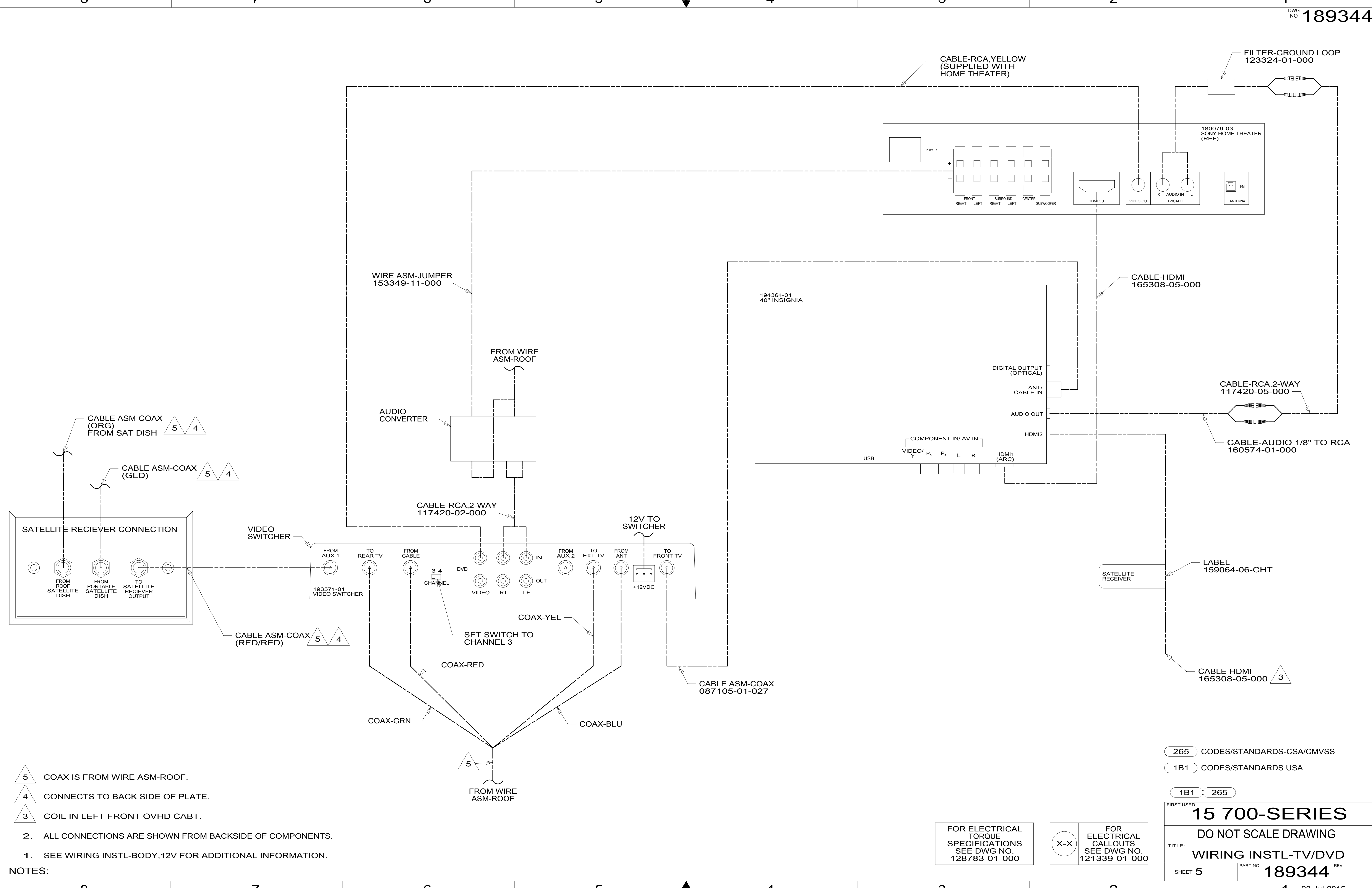


VIEW DD

VIEW DA (TV AND TV BRACKET NOT SHOWN)



189344



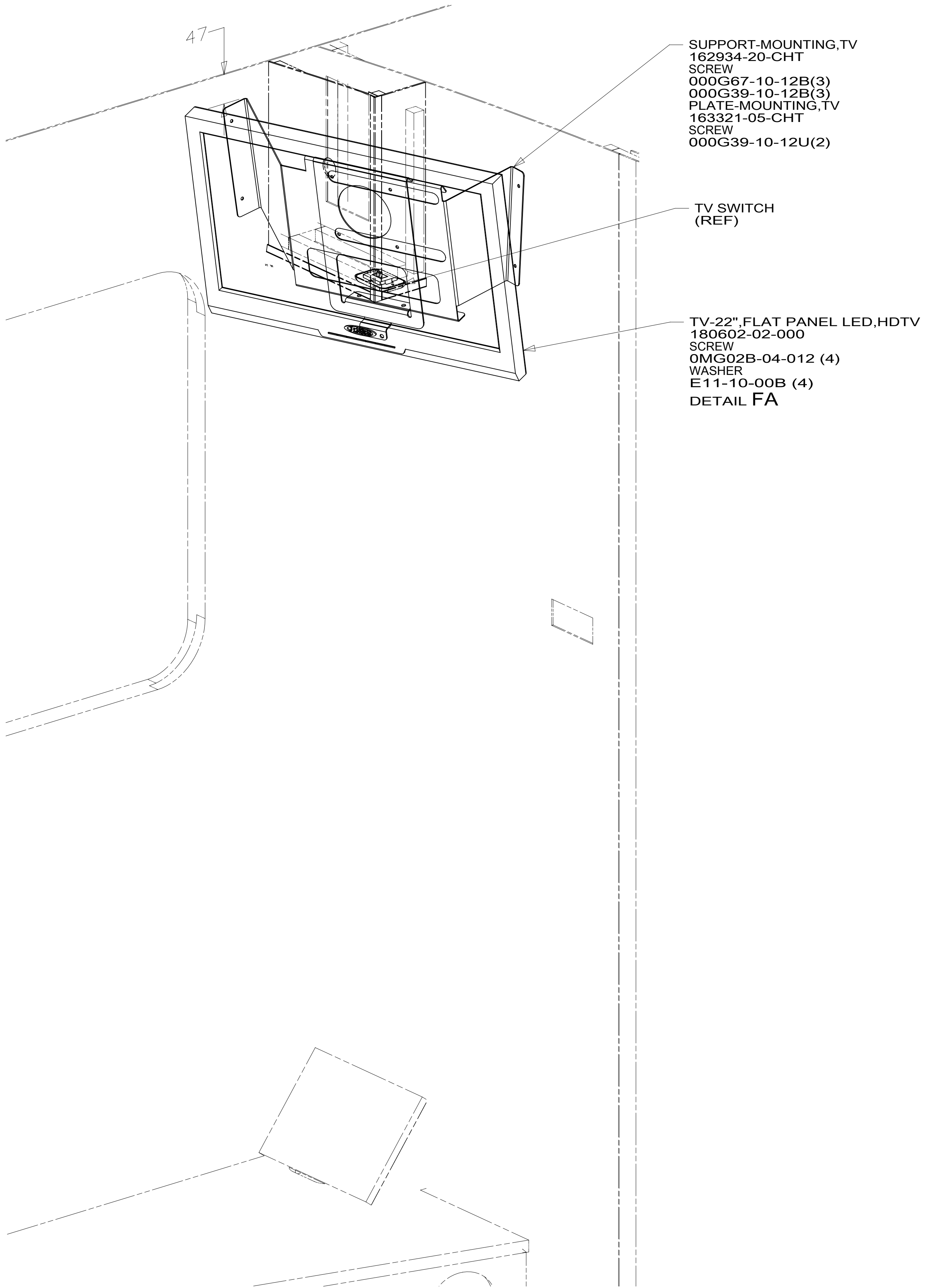
- NOTES:
- 5 COAX IS FROM WIRE ASM-ROOF.
 - 4 CONNECTS TO BACK SIDE OF PLATE.
 - 3 COIL IN LEFT FRONT OVHD CABT.
 - 2. ALL CONNECTIONS ARE SHOWN FROM BACKSIDE OF COMPONENTS.
 - 1. SEE WIRING INSTL-BODY, 12V FOR ADDITIONAL INFORMATION.

FOR ELECTRICAL TORQUE SPECIFICATIONS SEE DWG NO. 128783-01-000

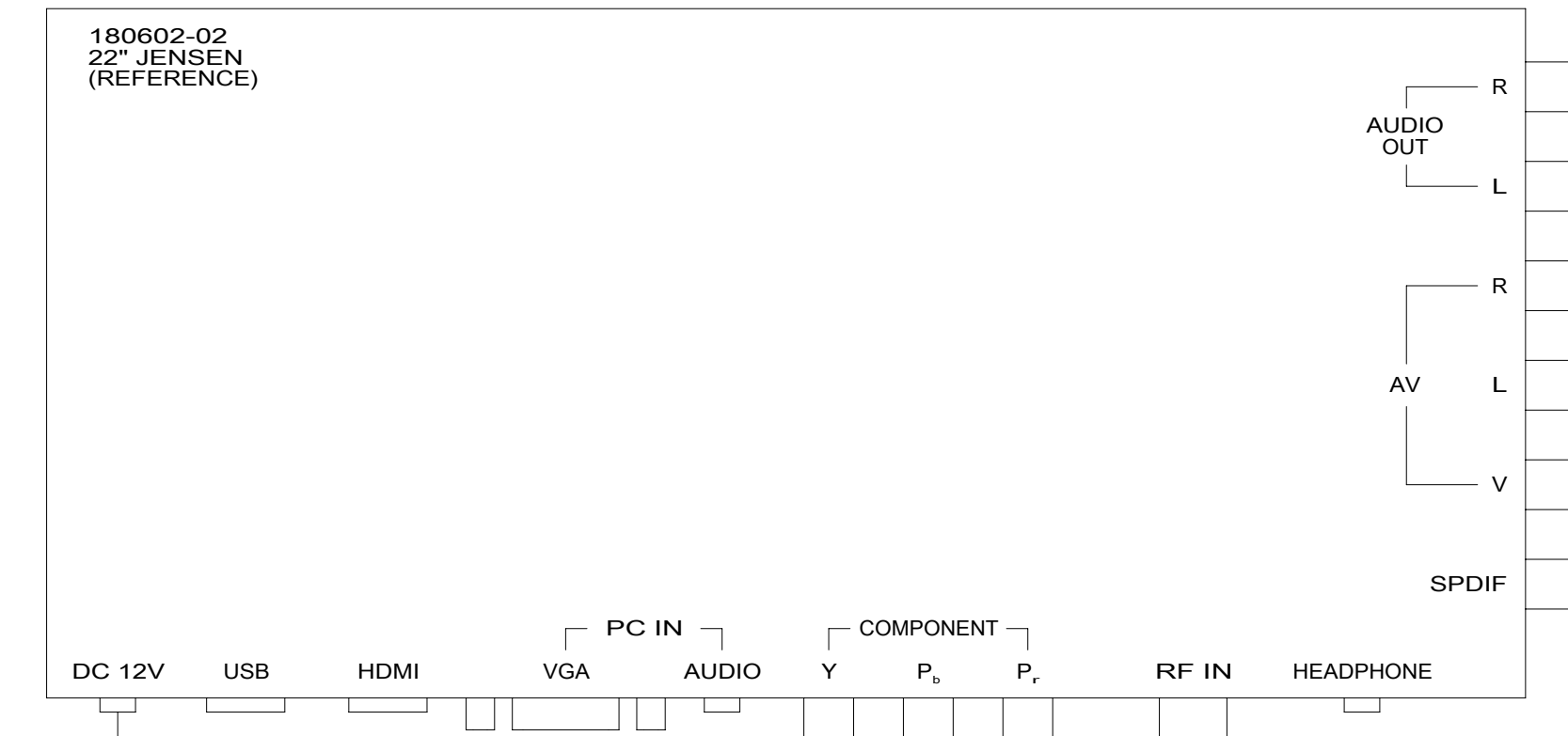
FOR ELECTRICAL CALLOUTS SEE DWG NO. 121339-01-000

265	CODES/STANDARDS-CSA/CMVSS
1B1	CODES/STANDARDS USA
1B1	265
FIRST USED	
15 700-SERIES	
DO NOT SCALE DRAWING	
TITLE: WIRING INSTL-TV/DVD	
SHEET 5	PART NO 189344 REV
1 20-Jul-2015	

189344



- SUPPORT-MOUNTING,TV
162934-20-CHT
SCREW
000G67-10-12B(3)
000G39-10-12B(3)
PLATE-MOUNTING,TV
163321-05-CHT
SCREW
000G39-10-12U(2)
- TV SWITCH
(REF)
- TV-22",FLAT PANEL LED,HDTV
180602-02-000
SCREW
0MG02B-04-012 (4)
WASHER
E11-10-00B (4)
DETAIL FA



- 180602-02
22" JENSEN
(REFERENCE)
- TO WIRE ASM-LEFT
- CONNECTOR-F.90 RIGHT ANGLE
176986-01-000
- TO WIRE ASM-LEFT

DETAIL FA

- 68B TV (REAR)DC 22" LCD W/REMOTE
- 265 CODES/STANDARDS-CSA/CMVSS
- 1B1 CODES/STANDARDS USA

1B1 265 68B

FOR ELECTRICAL TORQUE SPECIFICATIONS SEE DWG NO. 128783-01-000

FOR ELECTRICAL CALLOUTS SEE DWG NO. 121339-01-000

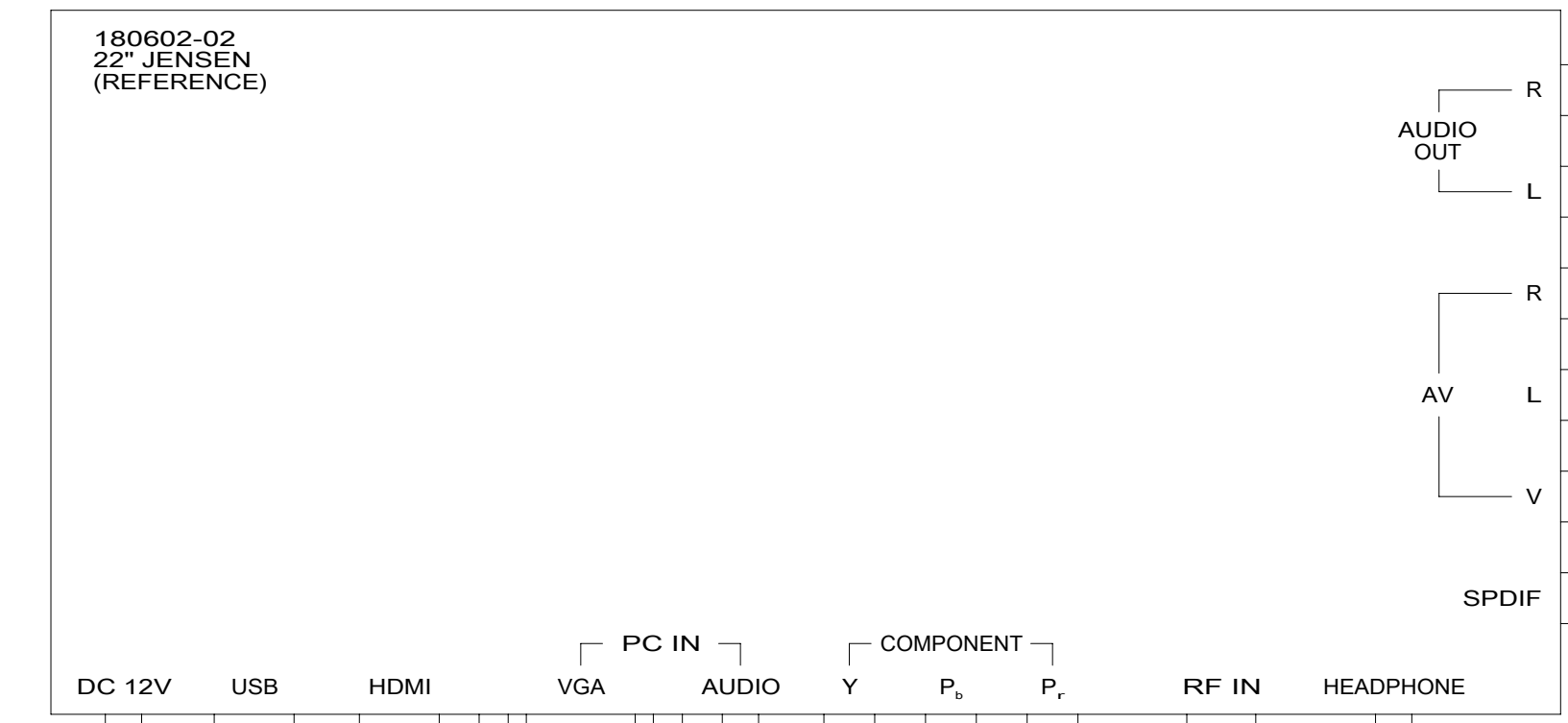
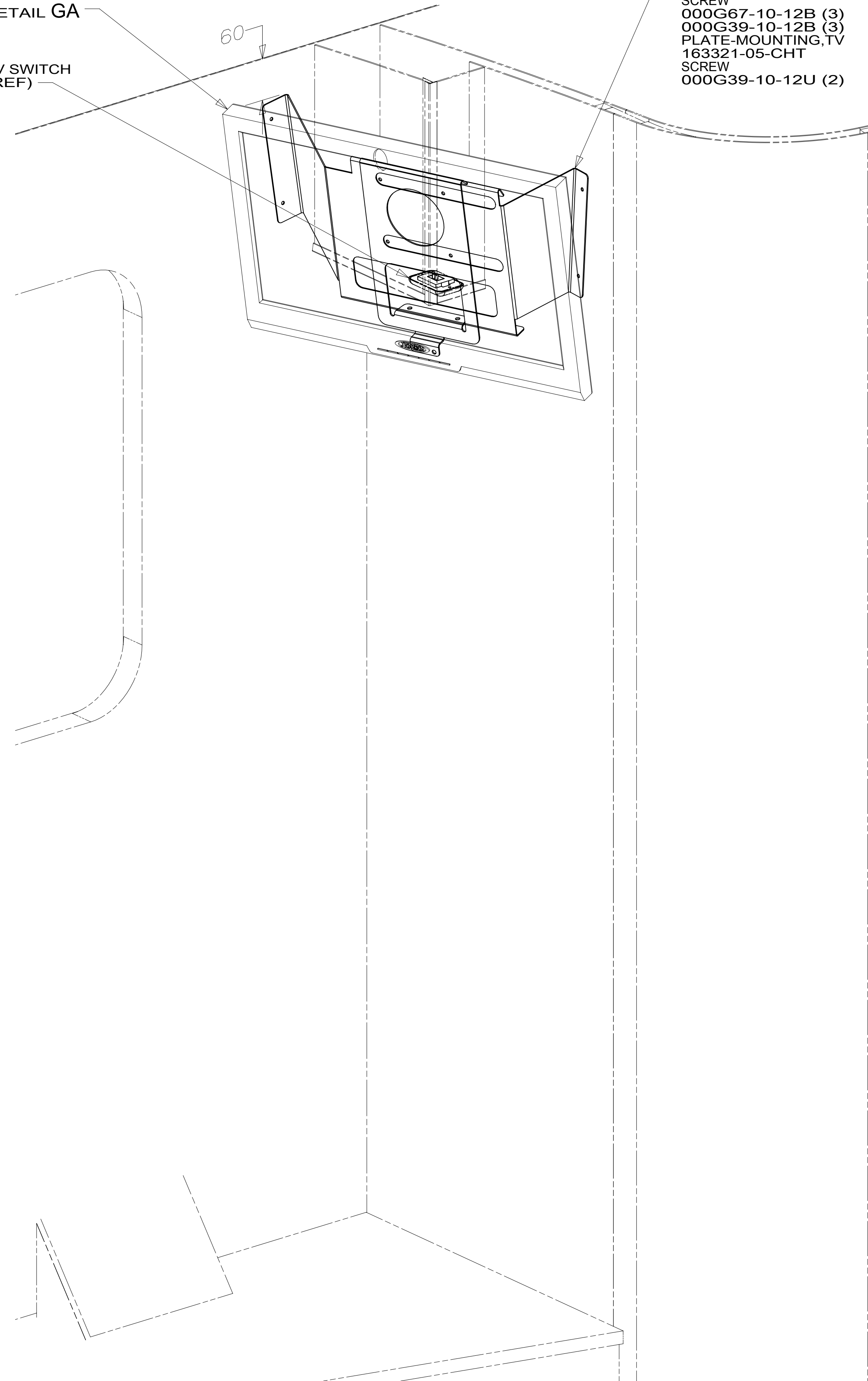
FIRST USED		
15 700-SERIES		
DO NOT SCALE DRAWING		
TITLE: WIRING INSTL-TV/DVD		
SHEET 6	PART NO 189344	REV
	1	20-Jul-2015

*189344 *A

TV-22" FLAT PANEL LED,HDTV
180602-02-000
DETAIL GA

TV SWITCH
(REF)

SUPPORT-MOUNTING,TV
162934-20-CHT
SCREW
000G67-10-12B (3)
000G39-10-12B (3)
PLATE-MOUNTING,TV
163321-05-CHT
SCREW
000G39-10-12U (2)



CONNECTOR-F,90 RIGHT ANGLE
176986-01-000

TO WIRE ASM-ROOF

TO WIRE ASM-ROOF

DETAIL GA

68B TV (REAR)DC 22" LCD W/REMOTE

265 CODES/STANDARDS-CSA/CMVSS

1B1 CODES/STANDARDS USA

1B1 265 68B

FIRST USED
15 700-SERIES

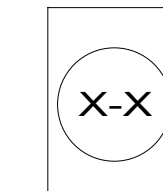
DO NOT SCALE DRAWING

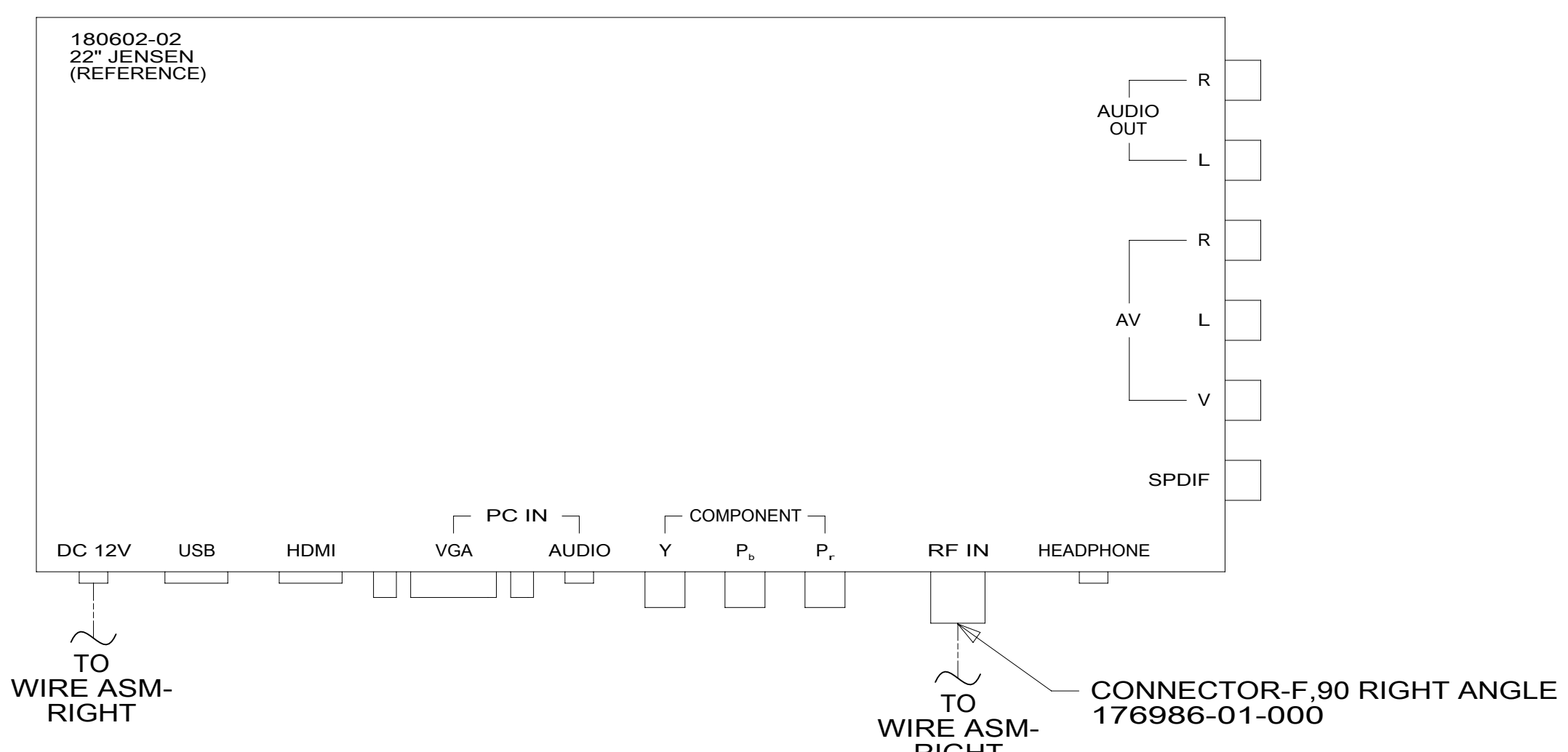
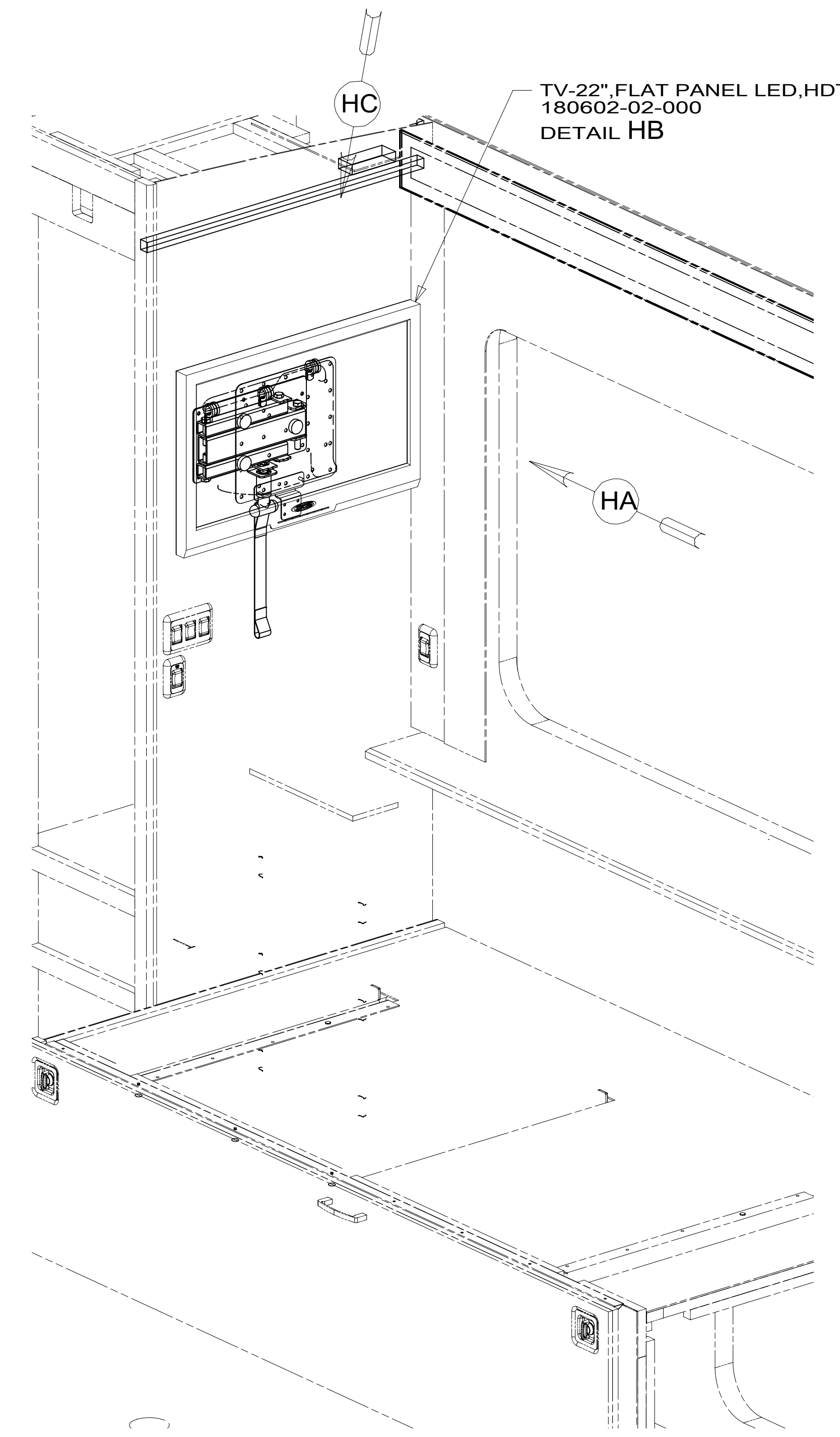
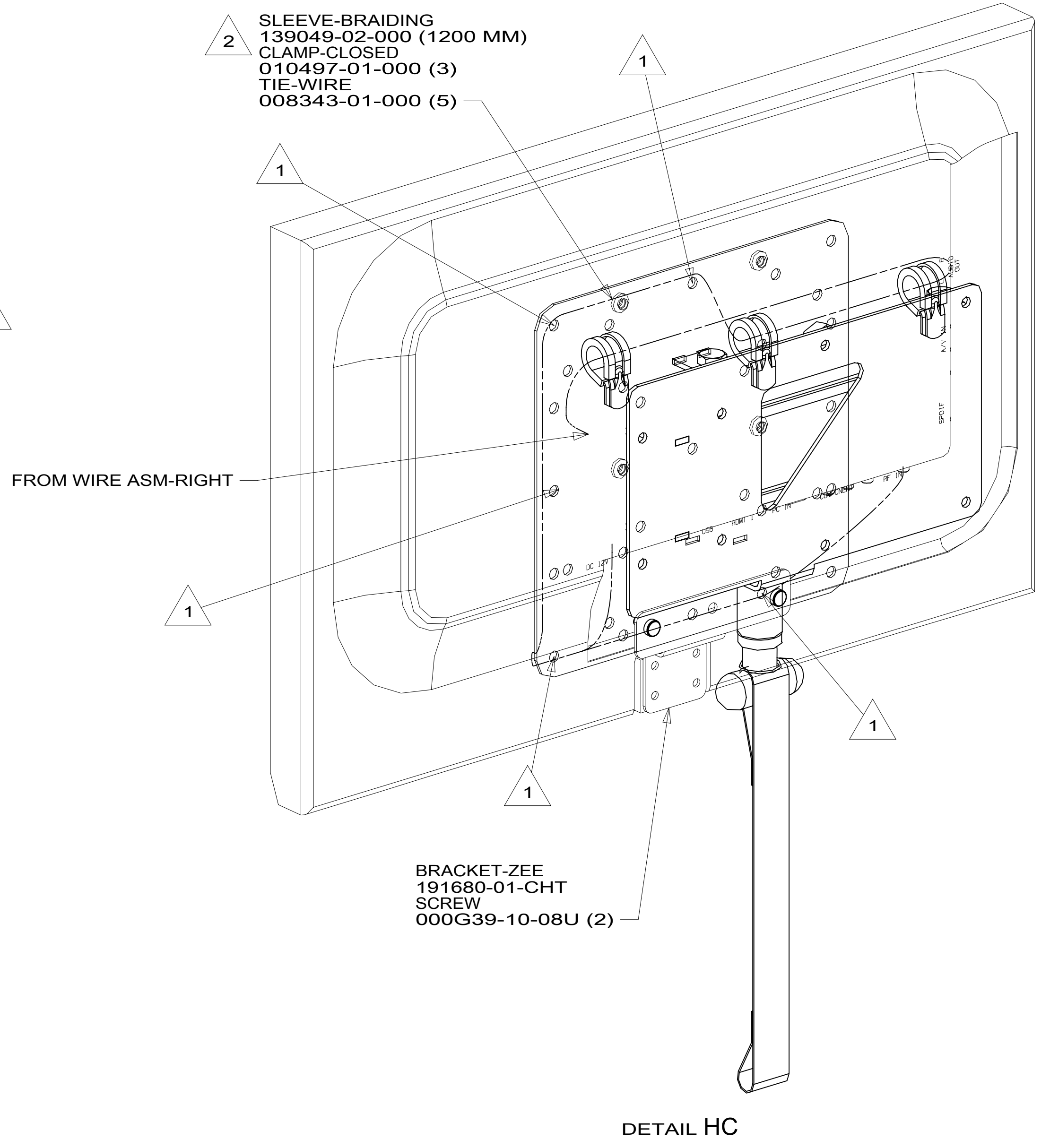
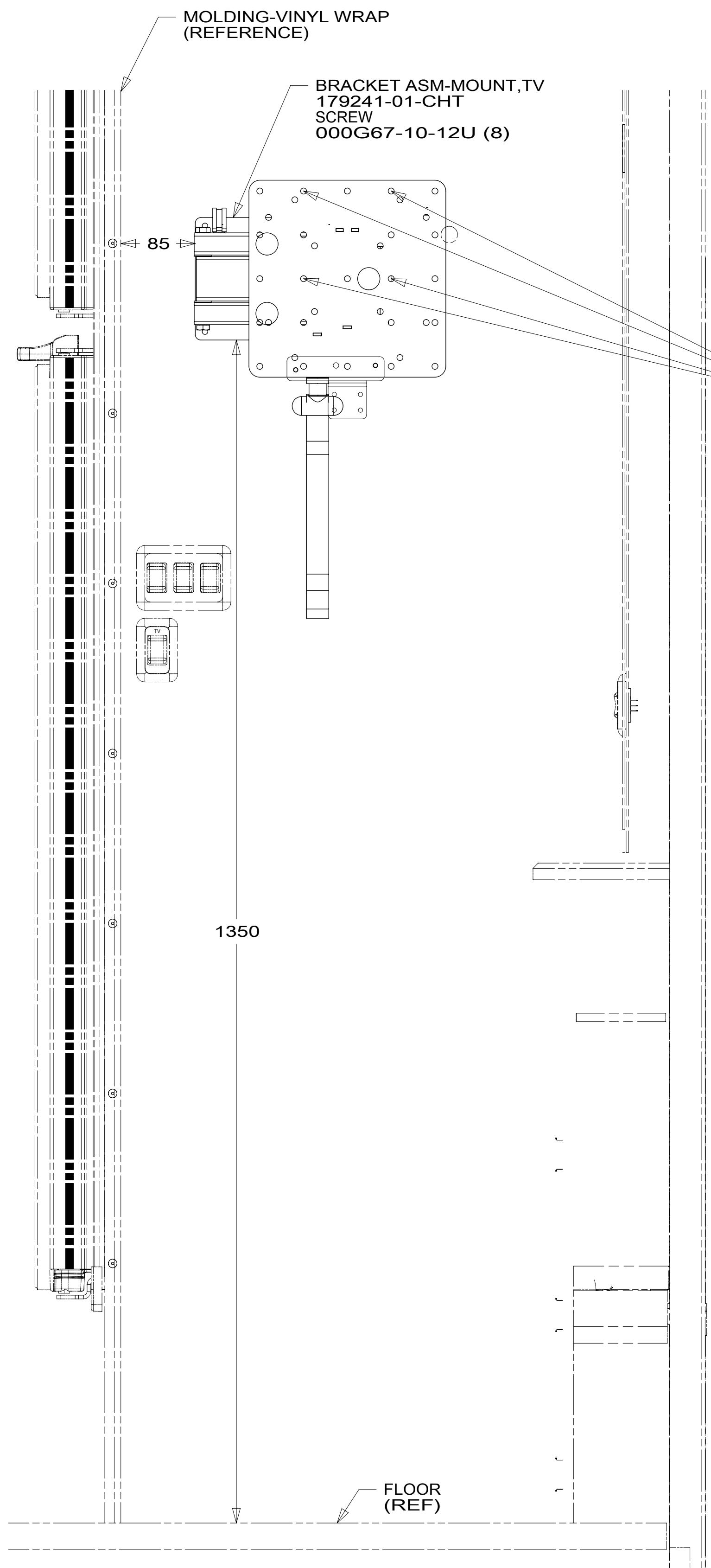
TITLE:
WIRING INSTL-TV/DVD

SHEET 7 PART NO **189344** REV

FOR ELECTRICAL
TORQUE
SPECIFICATIONS
SEE DWG NO.
128783-01-000

FOR
ELECTRICAL
CALLOUTS
SEE DWG NO.
121339-01-000





- NOTES:
- 3 ATTACH TV TO THESE HOLES.
 - 2 COVER WIRES THAT ARE ROUTED TO THE TV WITH SLEEVE-BRAIDING AND SECURE TO TV-SUPPORT WITH TIE-WIRES.
 - 1 USE HOLES ON PLATE-MOUNTING,TV TO ATTACH WIRE ASM TO PLATE-MOUNTING,TV WITH WIRE TIES.

FOR ELECTRICAL TORQUE SPECIFICATIONS SEE DWG NO. 128783-01-000

FOR ELECTRICAL CALLOUTS SEE DWG NO. 121339-01-000

- 68B TV (REAR)DC 22" LCD W/REMOTE
- 265 CODES/STANDARDS-CSA/CMVSS
- 1B1 CODES/STANDARDS USA

1B1 265 68B

FIRST USED

15 700-SERIES

DO NOT SCALE DRAWING

TITLE: **WIRING INSTL-TV/DVD**

SHEET 8 PART NO **189344** REV

1 20-Jul-2015

*189344 *A