



DANGER

Danger of electrical shock, burns or death. Always remove all power sources before attempting any repair, service or diagnostic work. Power can be present from shore power, generator, inverter or battery. All power sources must be disabled and secured before performing any service.

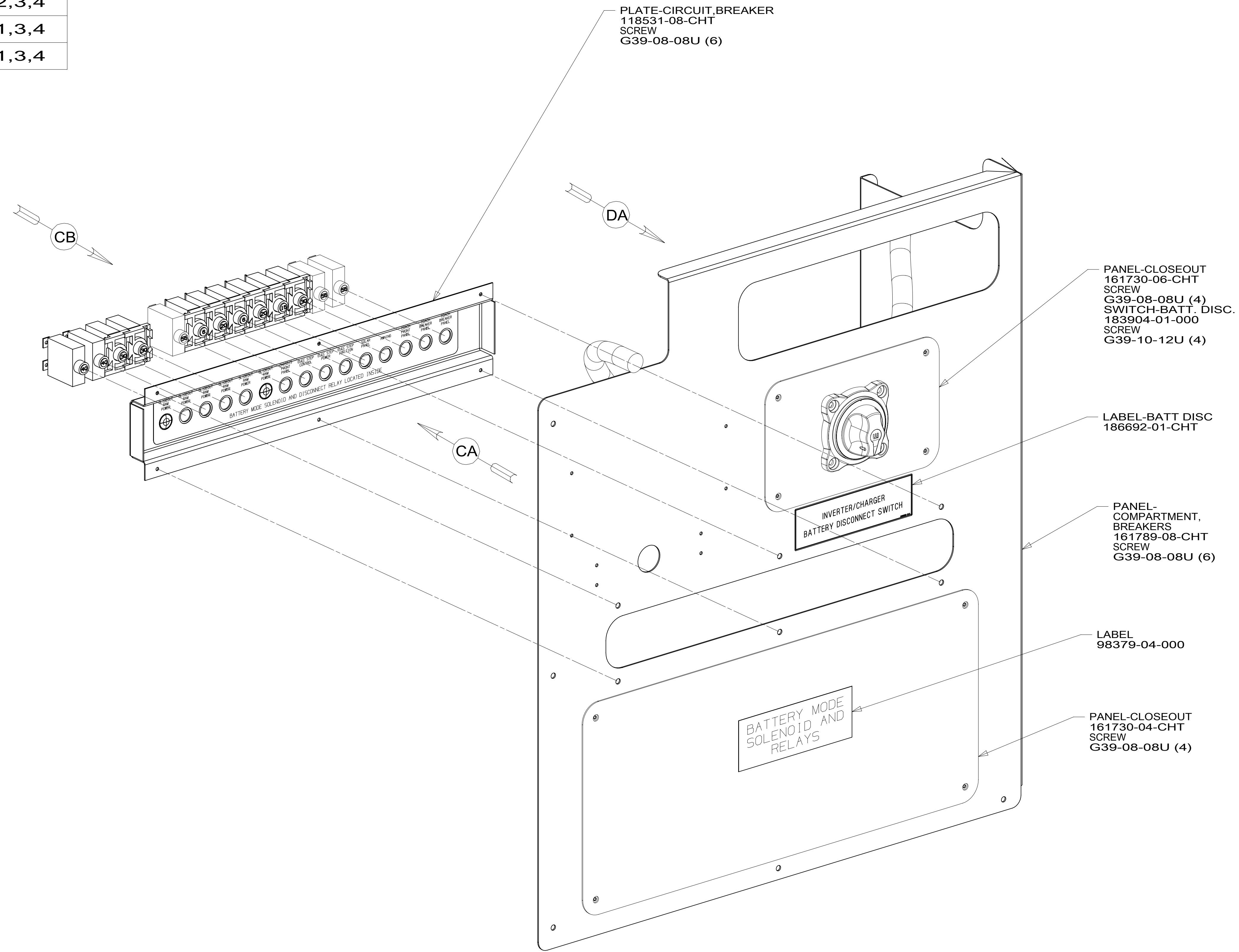


CAUTION

If you lack the skills, tools or equipment to perform diagnostic or repair work leave such work to an authorized Winnebago Industries dealer or other qualified shop.

DRAWING NO.	MODEL	SHEET
189260-01	J32D	3,4,5
189260-02	J35P	2,3,4
189260-03	J37F	1,3,4
189260-04	J38Q	1,3,4

RELEASE	REV/DATE	DWG NO	189260
REV ZONE	REVISION RECORD	DATE	DFTR-ORIG



- 265 CODES/STANDARDS-CSA/CMVSS
- 1B1 CODES/STANDARDS USA
- 1B1 265

WINNEBAGO COPYRIGHT 2014 WINNEBAGO INDUSTRIES, INC.

DFTR	ORIG. DATE
CHKR	ALL DIMENSIONS ARE IN MILLIMETERS
P.E.	
M.E.	FIRST USED
DSNR	15 J-SERIES

UNSPECIFIED TOLERANCES ARE:

WHOLE DIM (X)	: 3
ONE-PLACE (X.X)	: 1.5
TWO-PLACE (X.XX)	: 0.50
ANGLE	: 1°

THIRD ANGLE PROJECTION

DO NOT SCALE DRAWING REFER TO ES0018 FOR FASTENER TIGHTENING GUIDELINES

TITLE: **CHASSIS ELECTRICAL BOX ASM**

SHEET **1** OF **5** PART NO **189260** REV

REF: **1** 06-Aug-2015

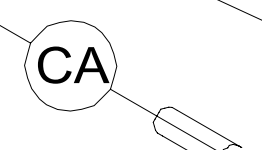
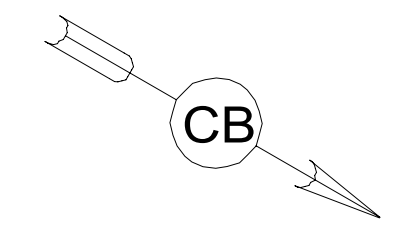
FOR ELECTRICAL TORQUE SPECIFICATIONS SEE DWG NO. 128783-01-000

X-X FOR ELECTRICAL CALLOUTS SEE DWG NO. 121339-01-000

189260

PLATE-CIRCUIT,BREAKER
118531-08-CHT
SCREW
G39-08-08U (6)

GROMMET
114208-05-000 (2)



PANEL-COMPARTMENT,
BREAKERS
161789-09-CHT
SCREW
G39-08-08U (6)

LABEL
98379-04-000

PANEL-CLOSEOUT
161730-04-CHT
SCREW
G39-08-08U (4)

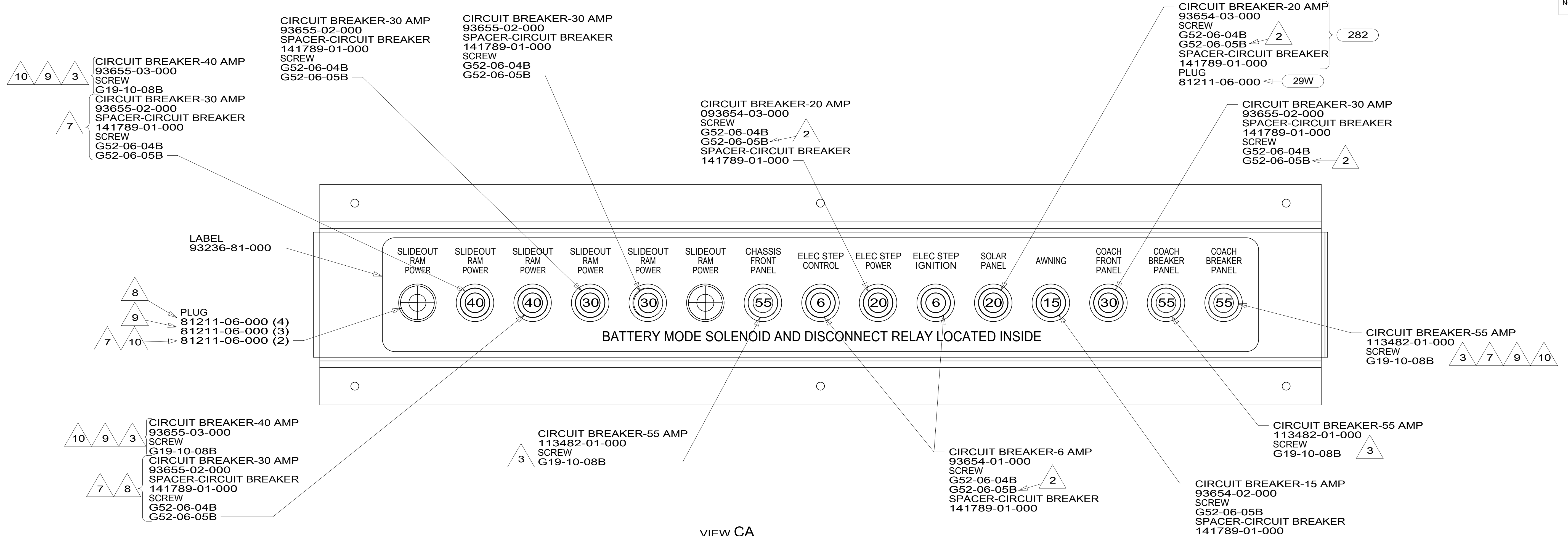
BATTERY MODE
SOLENOID AND
RELAYS

FOR ELECTRICAL
TORQUE
SPECIFICATIONS
SEE DWG NO.
128783-01-000

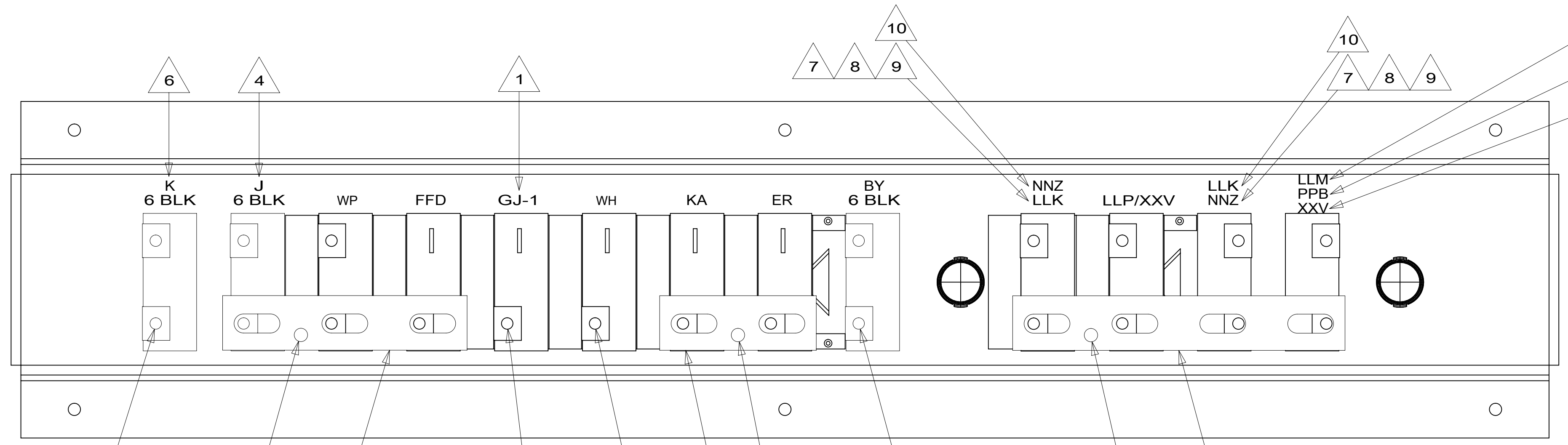
FOR
ELECTRICAL
CALLOUTS
SEE DWG NO.
121339-01-000

FIRST USED	15 J-SERIES	
TITLE:	DO NOT SCALE DRAWING	
CHASSIS ELECTRICAL BOX ASM		
SHEET 2	PART NO	189260
		REV
		1 06-Aug-2015

189260



VIEW CA



VIEW CB

- NOTES:
- 10 USED ON TAB -04.
 - 9 USED ON TAB -03.
 - 8 USED ON TAB -02.
 - 7 USED ON TAB -01.
 - 6 WIRE MARKED WITH 2 WRAPS OF YELLOW TAPE.
 - 5 WIRE MARKED WITH PURPLE TAPE.
 - 4 WIRE MARKED WITH YELLOW TAPE.
 - 3 USE THE LONGER SCREW TO PROPERLY ATTACH BREAKER TO BUSS BAR.
 - 2 REPLACE EXISTING SCREW TO PROPERLY ATTACH BREAKER TO BUSS BAR.
 - 1 IF CIRCUIT NOT USED, TAPE BACK TO HARNESS.

- 29W SOLAR PANEL/BATTERY CHRGR W/O
- 282 SOLAR PANEL - 100 WATT
- 32W GENERATOR-START,AUTO SYSTEM
- 265 CODES/STANDARDS-CSA/CMVSS
- 1B1 CODES/STANDARDS USA

FOR ELECTRICAL TORQUE SPECIFICATIONS SEE DWG NO. 128783-01-000

FOR ELECTRICAL CALLOUTS SEE DWG NO. 121339-01-000

FIRST USED

15 J-SERIES

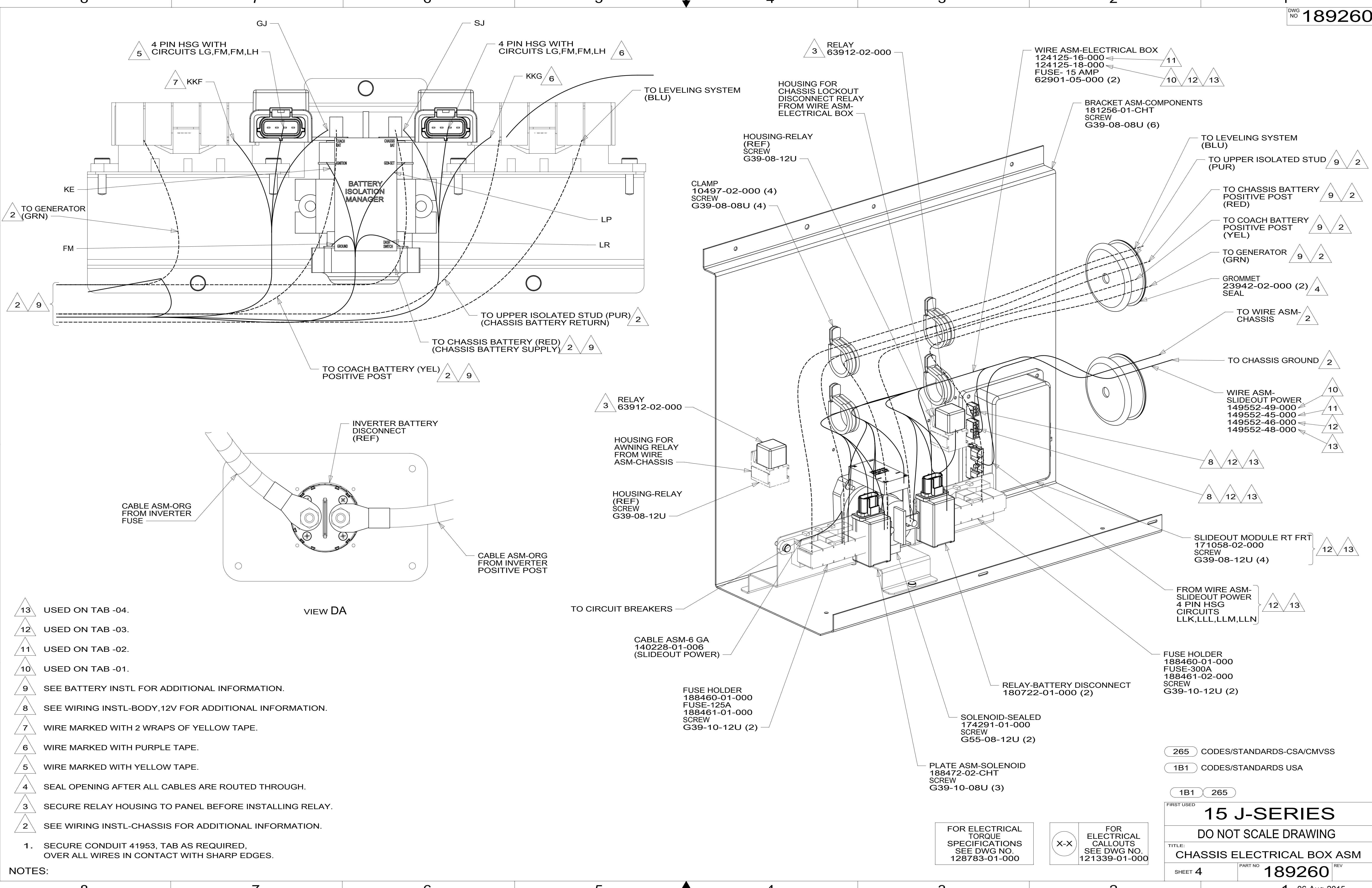
DO NOT SCALE DRAWING

TITLE: CHASSIS ELECTRICAL BOX ASM

SHEET 3 PART NO 189260 REV

06-Aug-2015

189260 A



- 13 USED ON TAB -04.
 12 USED ON TAB -03.
 11 USED ON TAB -02.
 10 USED ON TAB -01.
 9 SEE BATTERY INSTL FOR ADDITIONAL INFORMATION.
 8 SEE WIRING INSTL-BODY, 12V FOR ADDITIONAL INFORMATION.
 7 WIRE MARKED WITH 2 WRAPS OF YELLOW TAPE.
 6 WIRE MARKED WITH PURPLE TAPE.
 5 WIRE MARKED WITH YELLOW TAPE.
 4 SEAL OPENING AFTER ALL CABLES ARE ROUTED THROUGH.
 3 SECURE RELAY HOUSING TO PANEL BEFORE INSTALLING RELAY.
 2 SEE WIRING INSTL-CHASSIS FOR ADDITIONAL INFORMATION.
1. SECURE CONDUIT 41953, TAB AS REQUIRED, OVER ALL WIRES IN CONTACT WITH SHARP EDGES.

VIEW DA

FOR ELECTRICAL TORQUE SPECIFICATIONS SEE DWG NO. 128783-01-000

FOR ELECTRICAL CALLOUTS SEE DWG NO. 121339-01-000

265 CODES/STANDARDS-CSA/CMVSS
 1B1 CODES/STANDARDS USA

1B1	265
FIRST USED	
15 J-SERIES	
DO NOT SCALE DRAWING	
TITLE: CHASSIS ELECTRICAL BOX ASM	
SHEET 4	PART NO. 189260 REV
1 06-Aug-2015	

189260

8

7

6

5

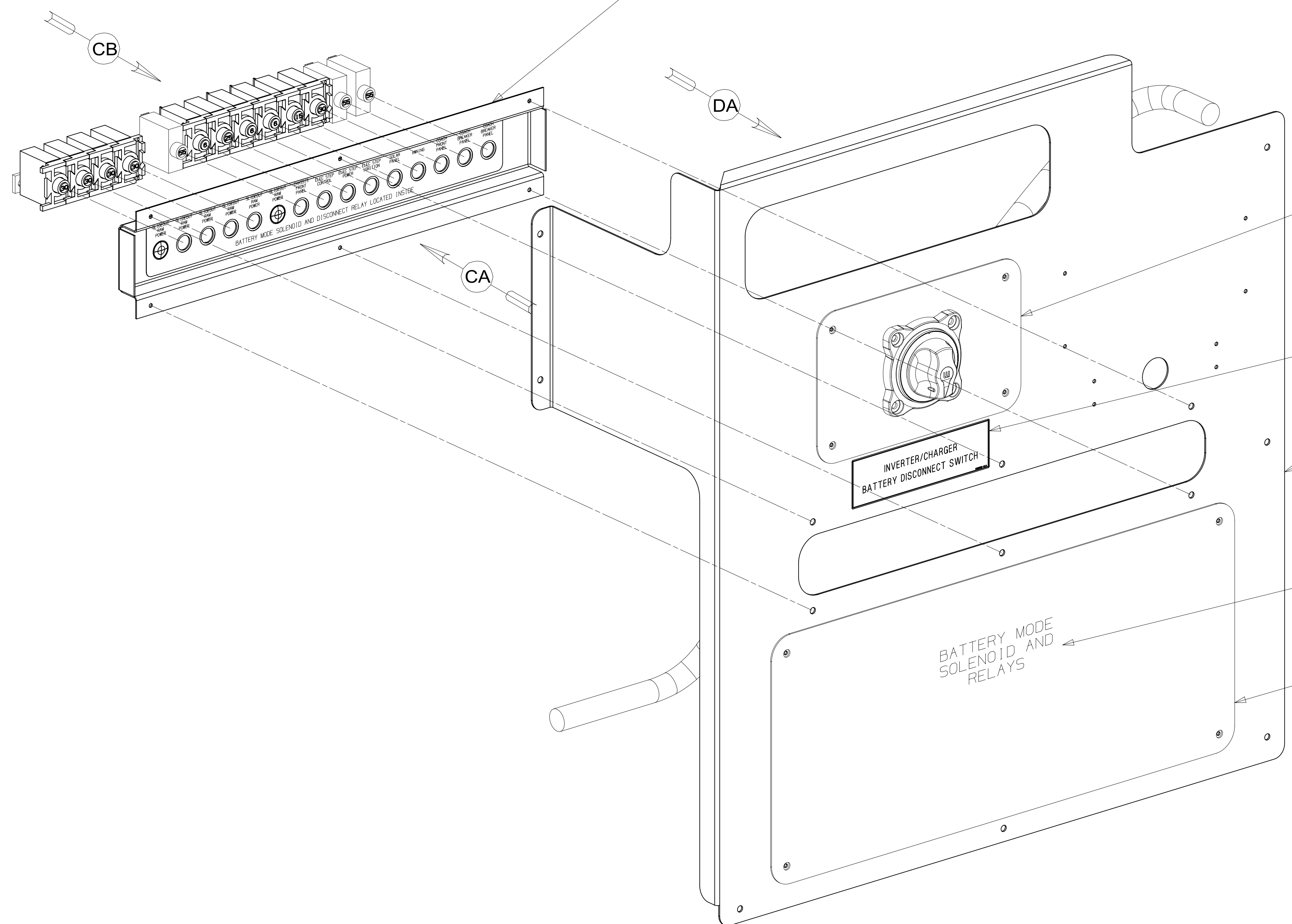
4

3

2

1

PLATE-CIRCUIT,BREAKER
118531-08-CHT
SCREW
G39-08-08U (6)



PANEL-CLOSEOUT
161730-06-CHT
SCREW
G39-08-08U (4)
SWITCH-BATT. DISC.
183904-01-000
SCREW
G39-10-12U (4)

LABEL-BATT DISC
186692-01-CHT

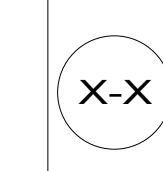
PANEL-COMPARTMENT,
BREAKERS
161789-10-CHT
SCREW
G39-08-08U (6)

LABEL
98379-04-000

PANEL-CLOSEOUT
161730-04-CHT
SCREW
G39-08-08U (4)

FOR ELECTRICAL
TORQUE
SPECIFICATIONS
SEE DWG NO.
128783-01-000

FOR
ELECTRICAL
CALLOUTS
SEE DWG NO.
121339-01-000



FIRST USED		
15 J-SERIES		
DO NOT SCALE DRAWING		
TITLE: CHASSIS ELECTRICAL BOX ASM		
SHEET 5	PART NO 189260	REV
1 06-Aug-2015		

189260