



DANGER

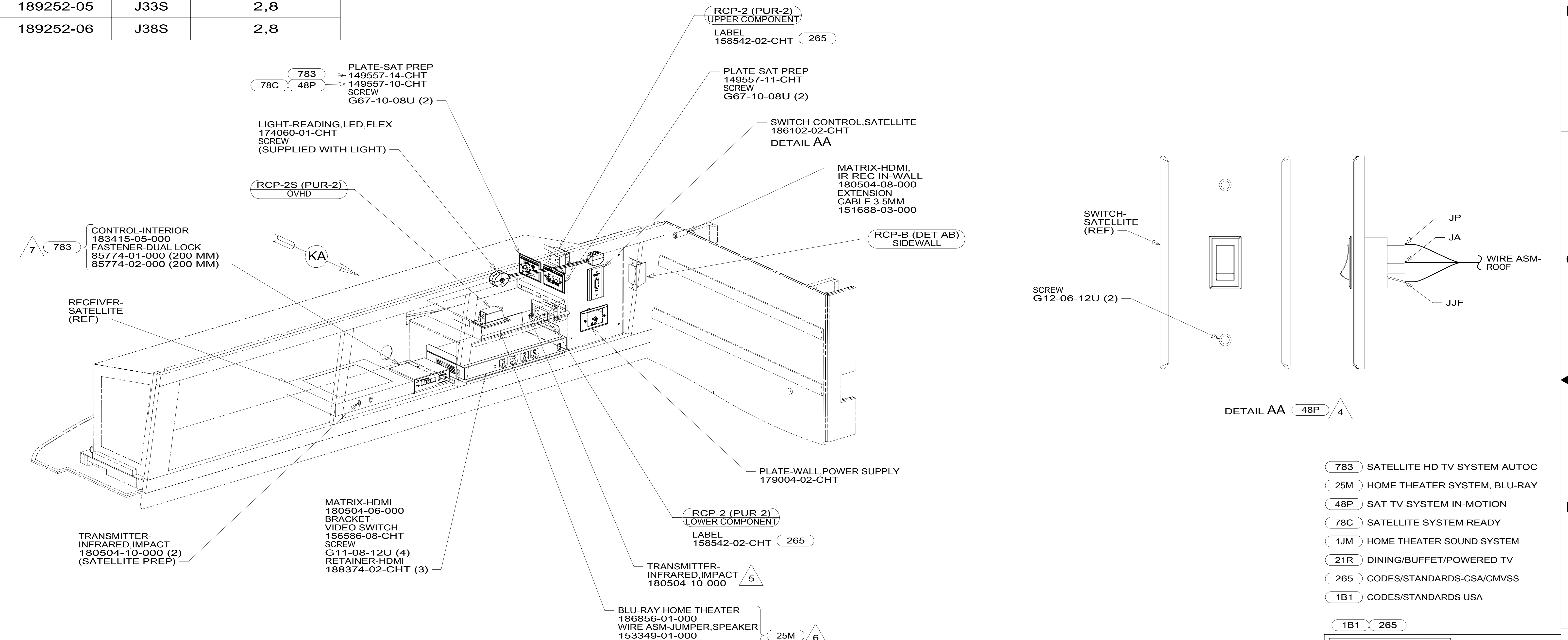
Danger of electrical shock, burns or death. Always remove all power sources before attempting any repair, service or diagnostic work. Power can be present from shore power, generator, inverter or battery. All power sources must be disabled and secured before performing any service.



CAUTION

If you lack the skills, tools or equipment to perform diagnostic or repair work leave such work to an authorized Winnebago Industries dealer or other qualified shop.

DRAWING NO.	MODEL	SHEETS
189252-01	J32D	1, 10, 11, 14
189252-02	J37F	1, 7, 9, 10, 12
189252-03	J35P	3, 6, 13
189252-04	J38Q	1, 4, 5, 10
189252-05	J33S	2, 8
189252-06	J38S	2, 8



- NOTES:**
- 110V WIRE TO BE CLAMPED WITH CLAMP 10497-05-000 WITHIN 200MM OF OUTLET BOXES, USE SCREW G67-10-12U.
 - ALL WIRES TO BE SECURED WITH CLAMP 10495-01-000 OR CLIP 80734-01-000 EVERY 600MM. USE SCREW G67-10-12U UNLESS OTHERWISE SPECIFIED.
 - WHERE WIRES PASS THROUGH HOLES IN STEEL AND NOT OTHERWISE PROTECTED, USE GROMMET 92908-02-000.

- 783 SATELLITE HD TV SYSTEM AUTOC
- 25M HOME THEATER SYSTEM, BLU-RAY
- 48P SAT TV SYSTEM IN-MOTION
- 78C SATELLITE SYSTEM READY
- 1JM HOME THEATER SOUND SYSTEM
- 21R DINING/BUFFET/POWERED TV
- 265 CODES/STANDARDS-CSA/CMVSS
- 1B1 CODES/STANDARDS USA

WINNEBAGO COPYRIGHT 2014 WINNEBAGO INDUSTRIES, INC.

DTR	ORIG. DATE
CHKR	ALL DIMENSIONS ARE IN MILLIMETERS
P.E.	
M.E.	FIRST USED
DSNR	15 J-SERIES

UNSPECIFIED TOLERANCES ARE:

WHOLE DIM (X)	: 3
ONE-PLACE (X.X)	: 1.5
TWO-PLACE (X.XX)	: 0.50
ANGLE	: 1°

THIRD ANGLE PROJECTION

DO NOT SCALE DRAWING REFER TO ES0018 FOR FASTENER TIGHTENING GUIDELINES

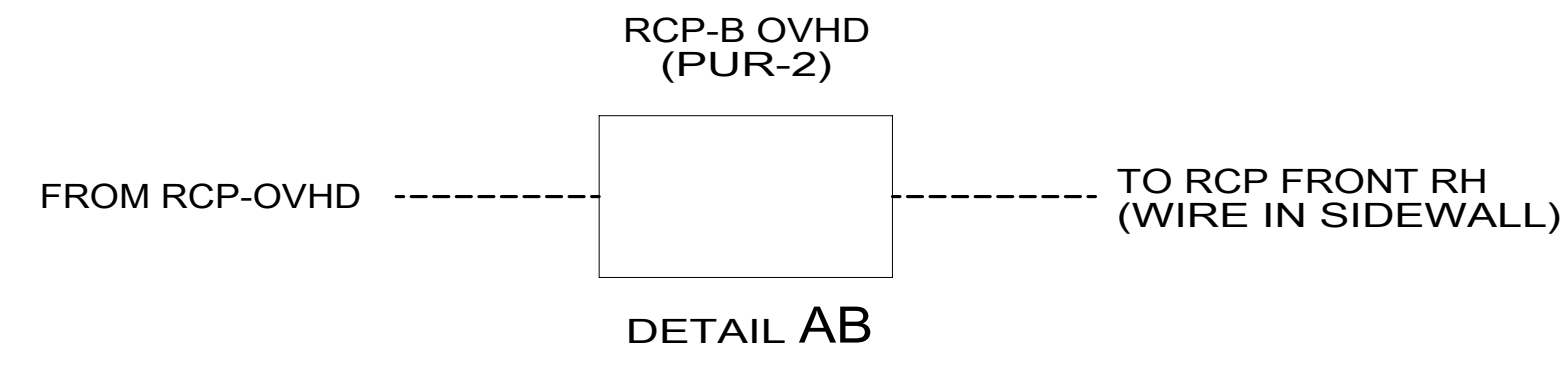
TITLE: **WIRING INSTL-TV/DVD**

SHEET **1** OF **14** PART NO **189252** REV

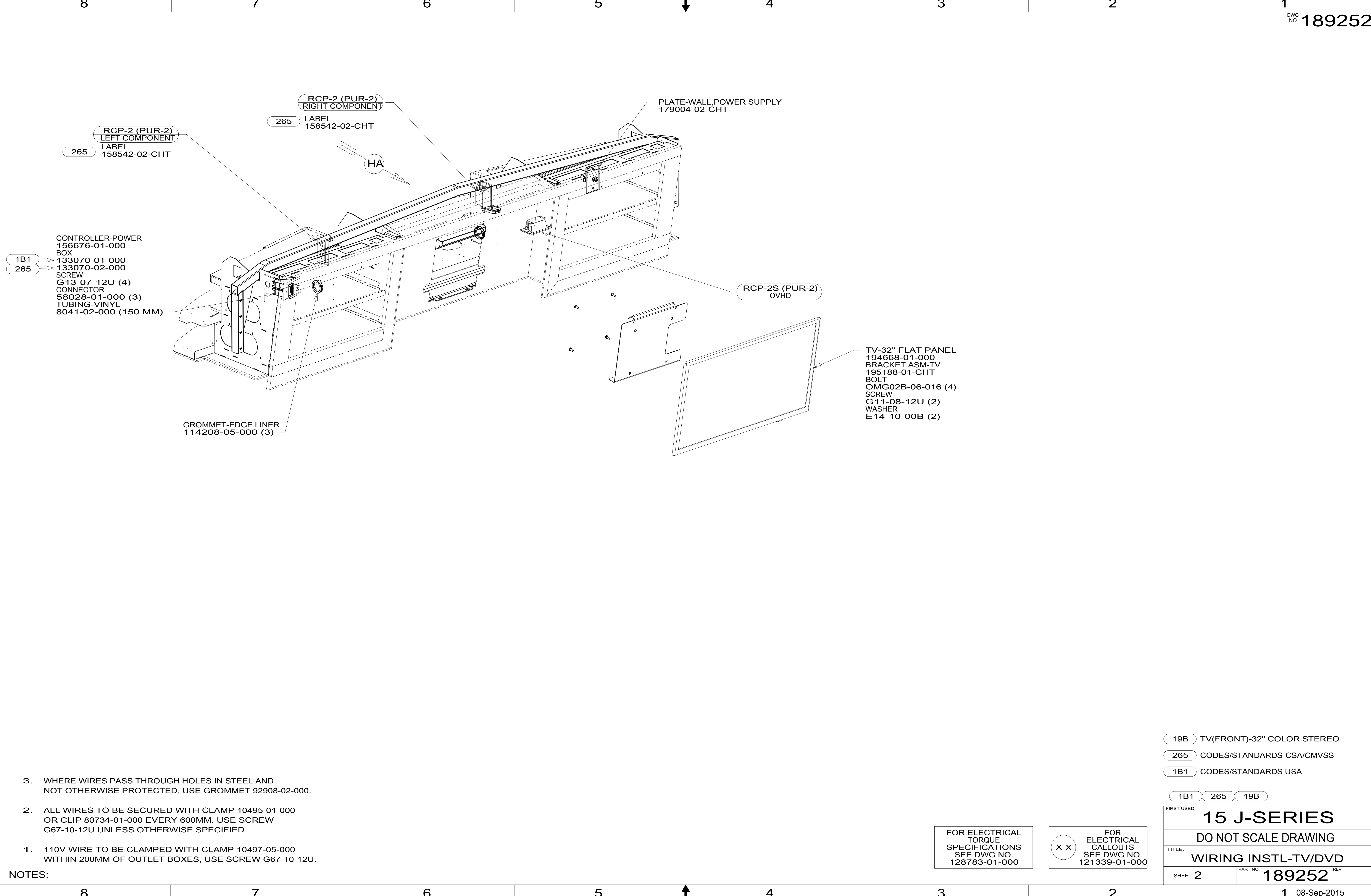
REF: **1** 08-Sep-2015

FOR ELECTRICAL TORQUE SPECIFICATIONS SEE DWG NO. 128783-01-000

FOR ELECTRICAL CALLOUTS SEE DWG NO. 121339-01-000



189252



- NOTES:
1. 110V WIRE TO BE CLAMPED WITH CLAMP 10497-05-000 WITHIN 200MM OF OUTLET BOXES, USE SCREW G67-10-12U.
 2. ALL WIRES TO BE SECURED WITH CLAMP 10495-01-000 OR CLIP 80734-01-000 EVERY 600MM. USE SCREW G67-10-12U UNLESS OTHERWISE SPECIFIED.
 3. WHERE WIRES PASS THROUGH HOLES IN STEEL AND NOT OTHERWISE PROTECTED, USE GROMMET 92908-02-000.

- 19B TV(FRONT)-32" COLOR STEREO
- 265 CODES/STANDARDS-CSA/CMVSS
- 1B1 CODES/STANDARDS USA

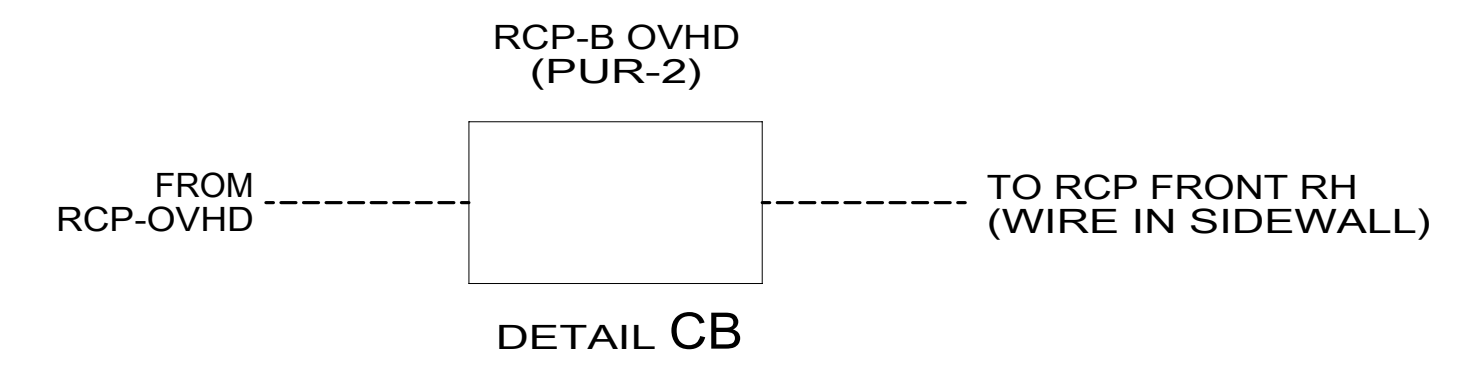
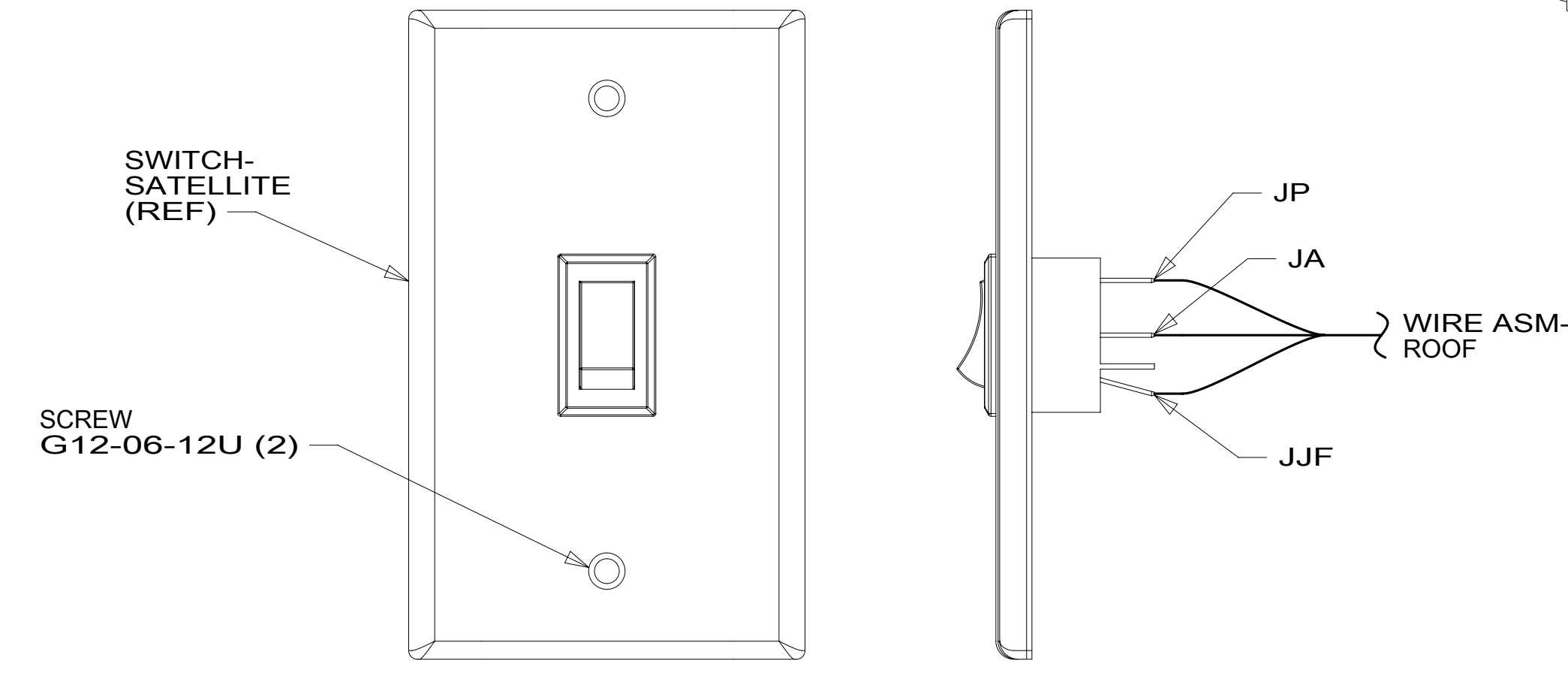
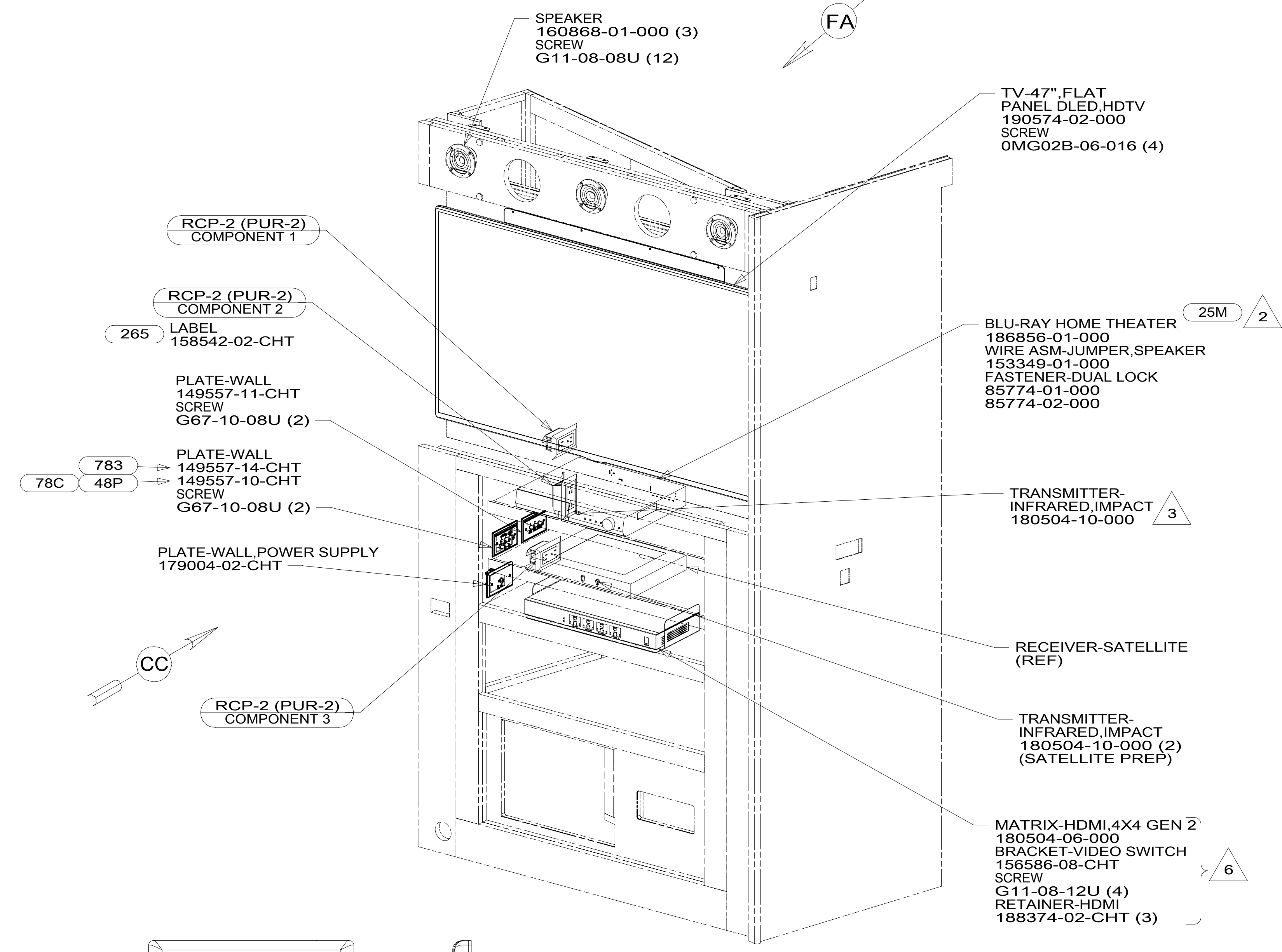
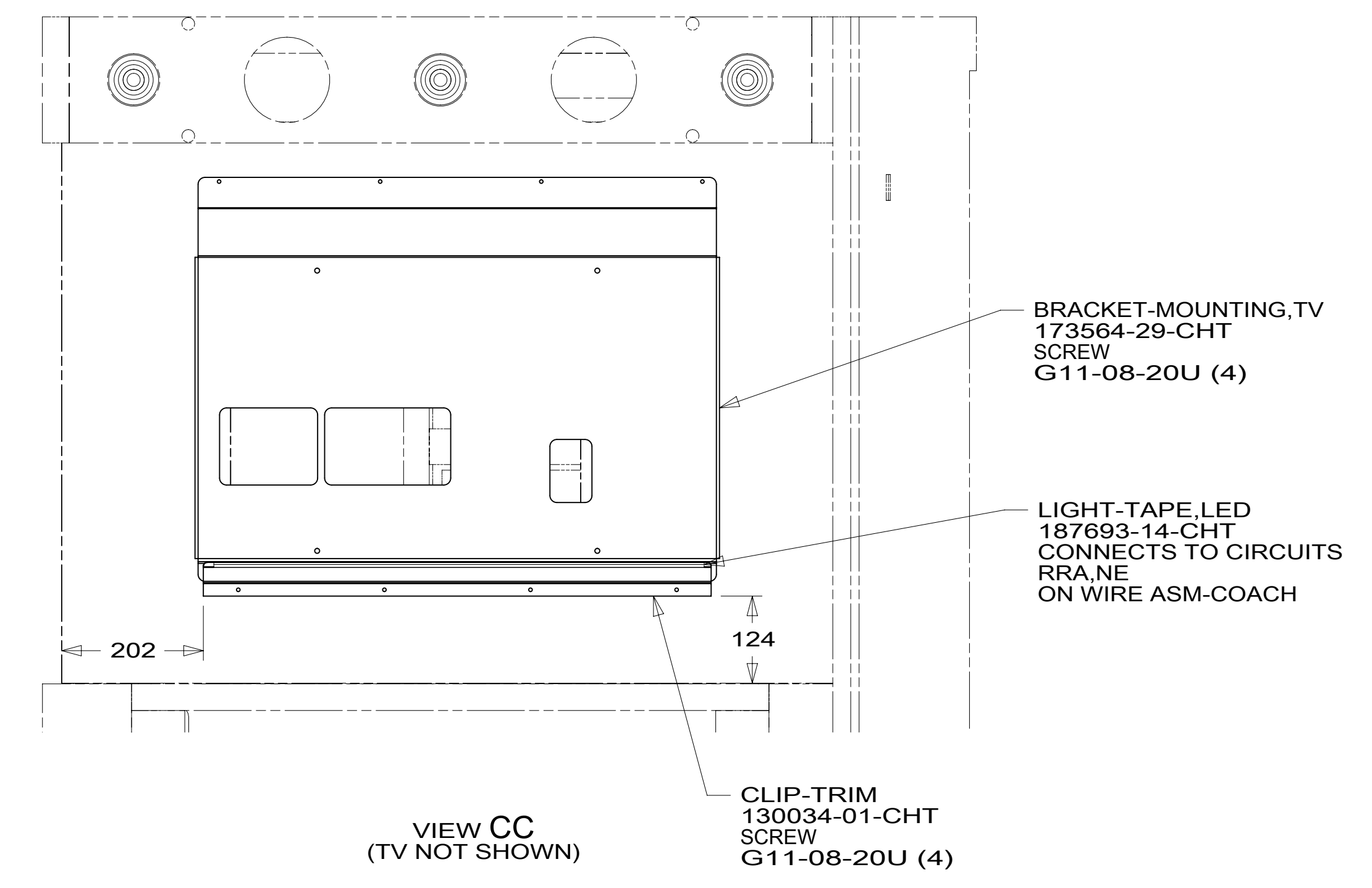
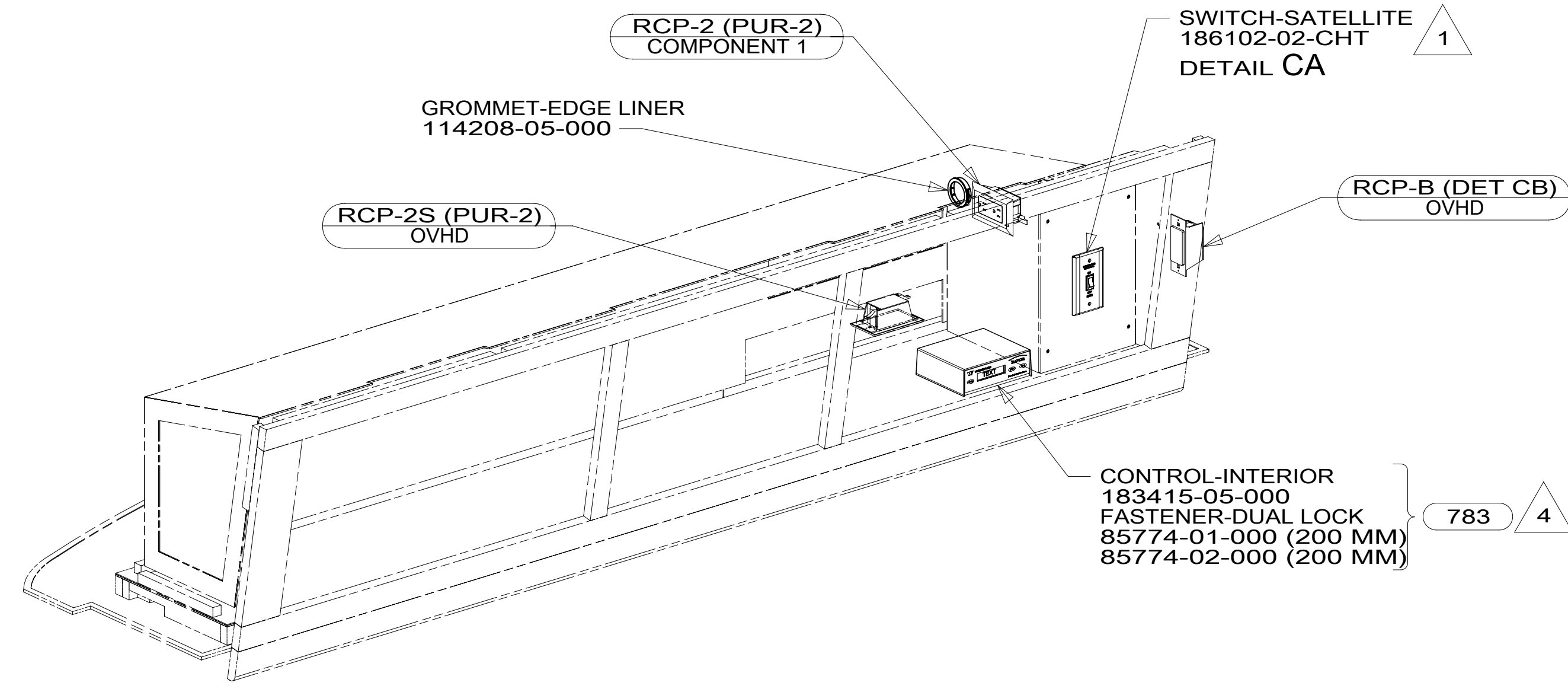
1B1 265 19B

FOR ELECTRICAL TORQUE SPECIFICATIONS SEE DWG NO. 128783-01-000

FOR ELECTRICAL CALLOUTS SEE DWG NO. 121339-01-000

FIRST USED		
15 J-SERIES		
DO NOT SCALE DRAWING		
TITLE: WIRING INSTL-TV/DVD		
SHEET 2	PART NO 189252	REV
1 08-Sep-2015		

*189252 *A



- NOTES:
- 6 PLACE I.R. RECEIVER ON TOP OF 4X4 MATRIX FACING OPENING.
 - 5 CLEAN AND APPLY ADHESIVE PROMOTER 87211-01-000 TO MOUNTING SURFACE.
 - 4 INTERIOR CONTROL CONNECTS TO SATELLITE DATA CABLE. SEE ROOF ASM FOR ADDITIONAL INFORMATION.
 - 3 PLACE I.R.E. IN FRONT OF THE BLU-RAY PLAYER AS SHOWN. (150 MM FROM RIGHT SIDE)
 - 2 SET DVD PLAYER FOR AUDIO ON HDMI AND MAX VIDEO OUTPUT TO 1080i.
 - 1 SEE ROOF ASM FOR ADDITIONAL INFORMATION.

- 783 SATELLITE HD TV SYSTEM AUTOC
- 25M HOME THEATER SYSTEM, BLU-RAY
- 48P SAT TV SYSTEM IN-MOTION
- 78C SATELLITE SYSTEM READY
- 68Z TV - 47" COLOR, STEREO
- 265 CODES/STANDARDS-CSA/CMVSS
- 1B1 CODES/STANDARDS USA

FOR ELECTRICAL TORQUE SPECIFICATIONS SEE DWG NO. 128783-01-000

FOR ELECTRICAL CALLOUTS SEE DWG NO. 121339-01-000

FIRST USED

15 J-SERIES

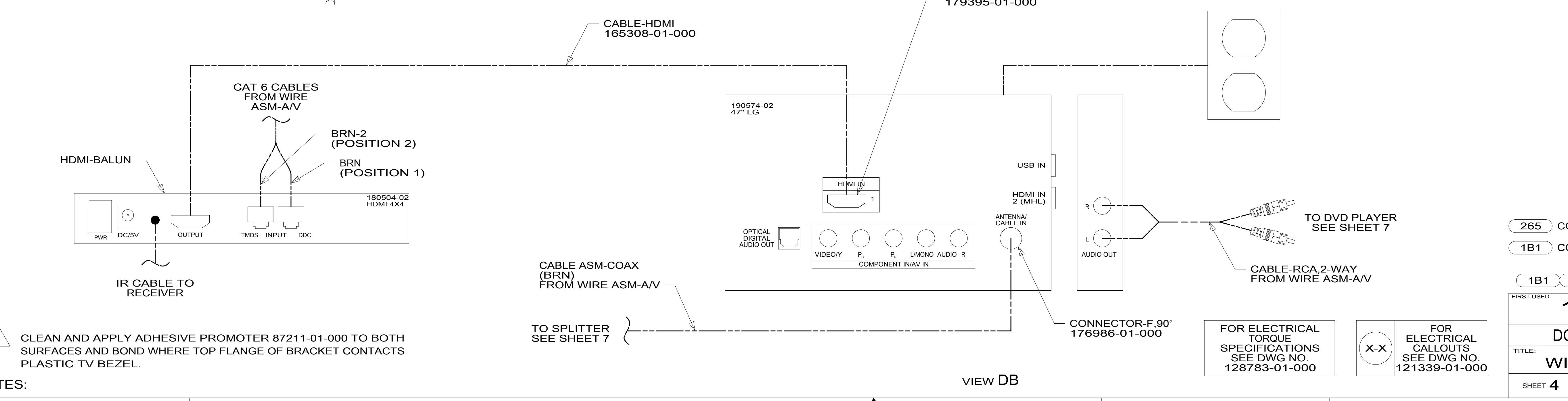
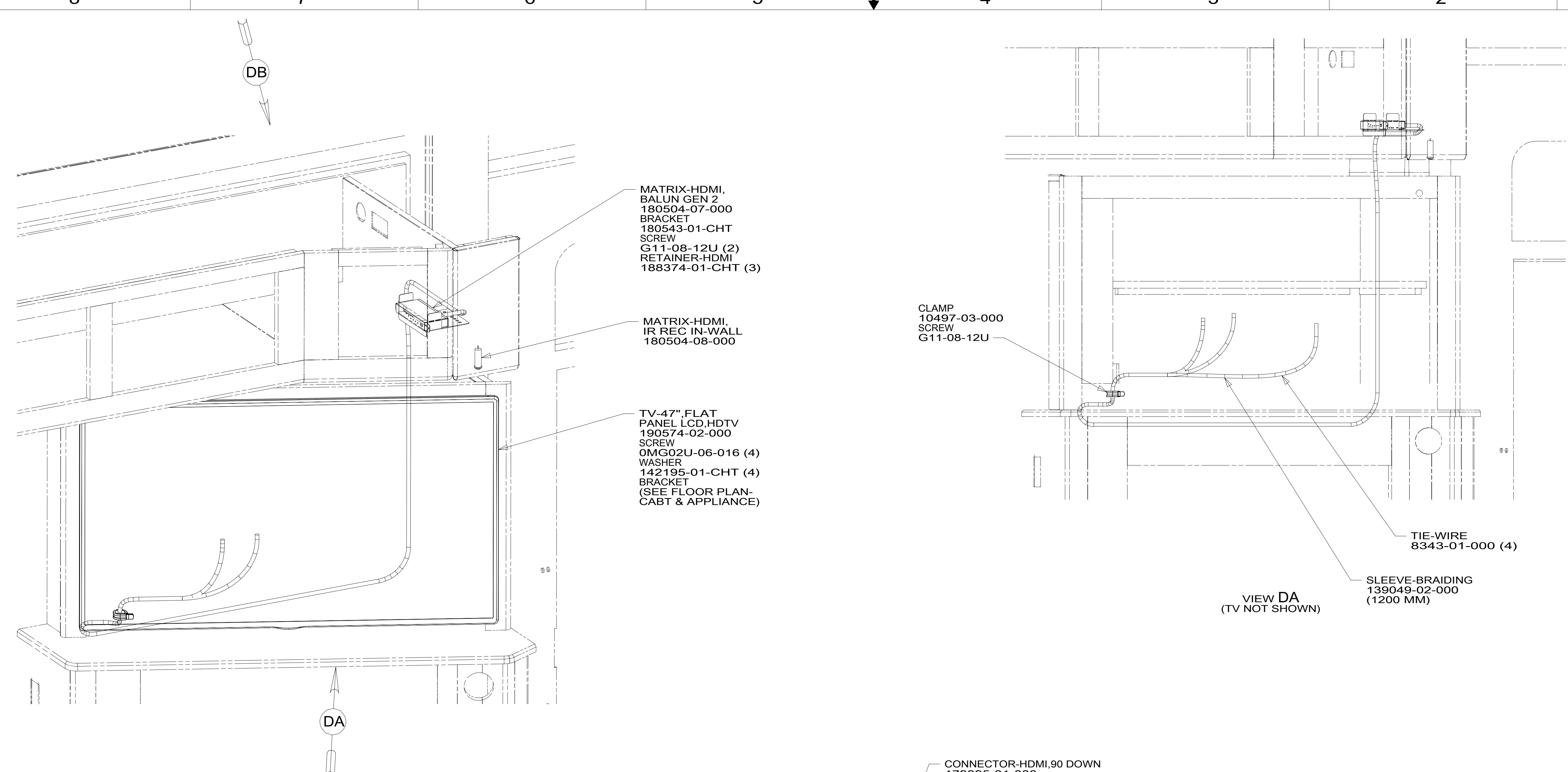
DO NOT SCALE DRAWING

TITLE: **WIRING INSTL-TV/DVD**

SHEET 3 PART NO **189252** REV

1 08-Sep-2015

189252



1 CLEAN AND APPLY ADHESIVE PROMOTER 87211-01-000 TO BOTH SURFACES AND BOND WHERE TOP FLANGE OF BRACKET CONTACTS PLASTIC TV BEZEL.

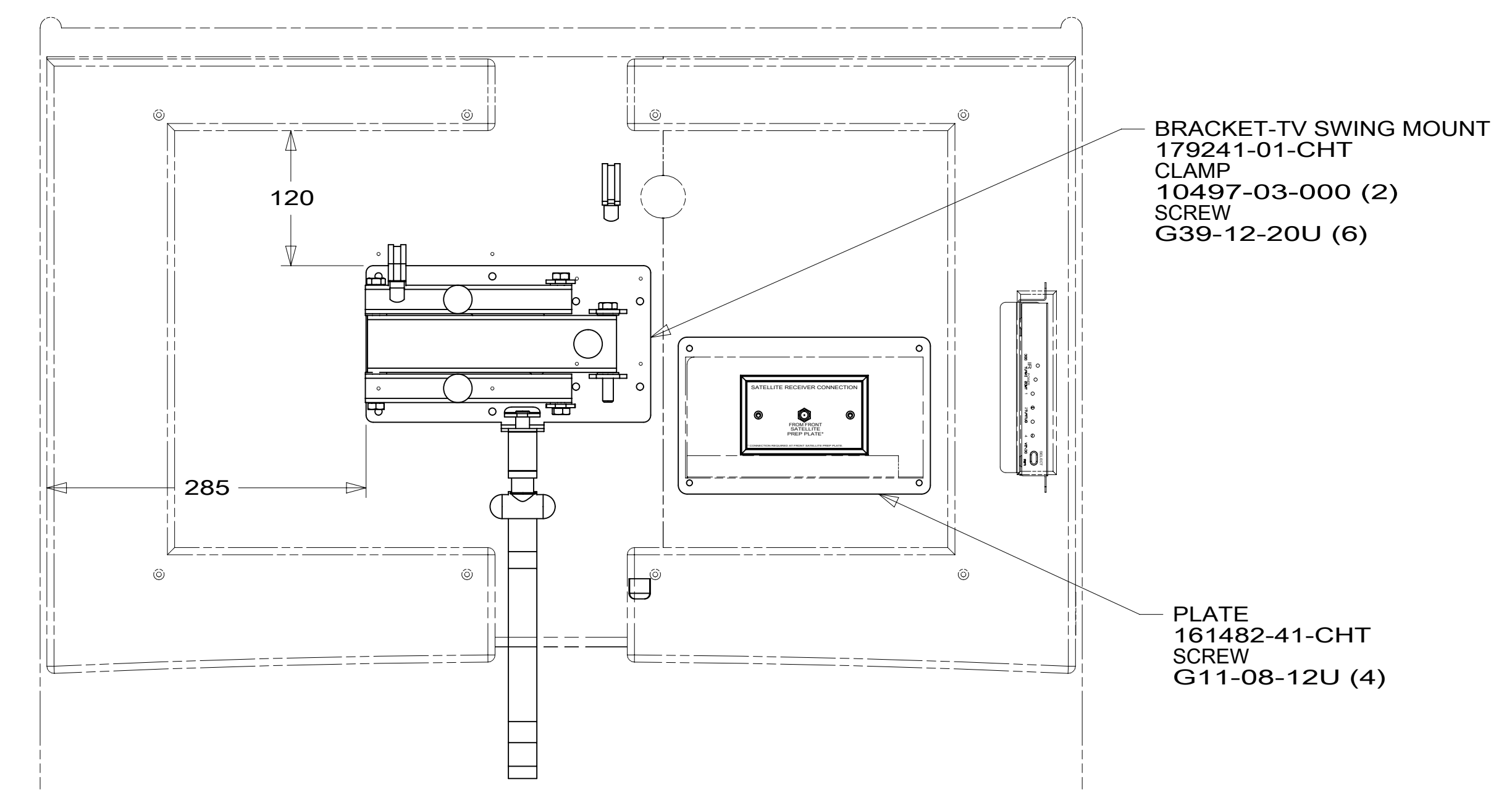
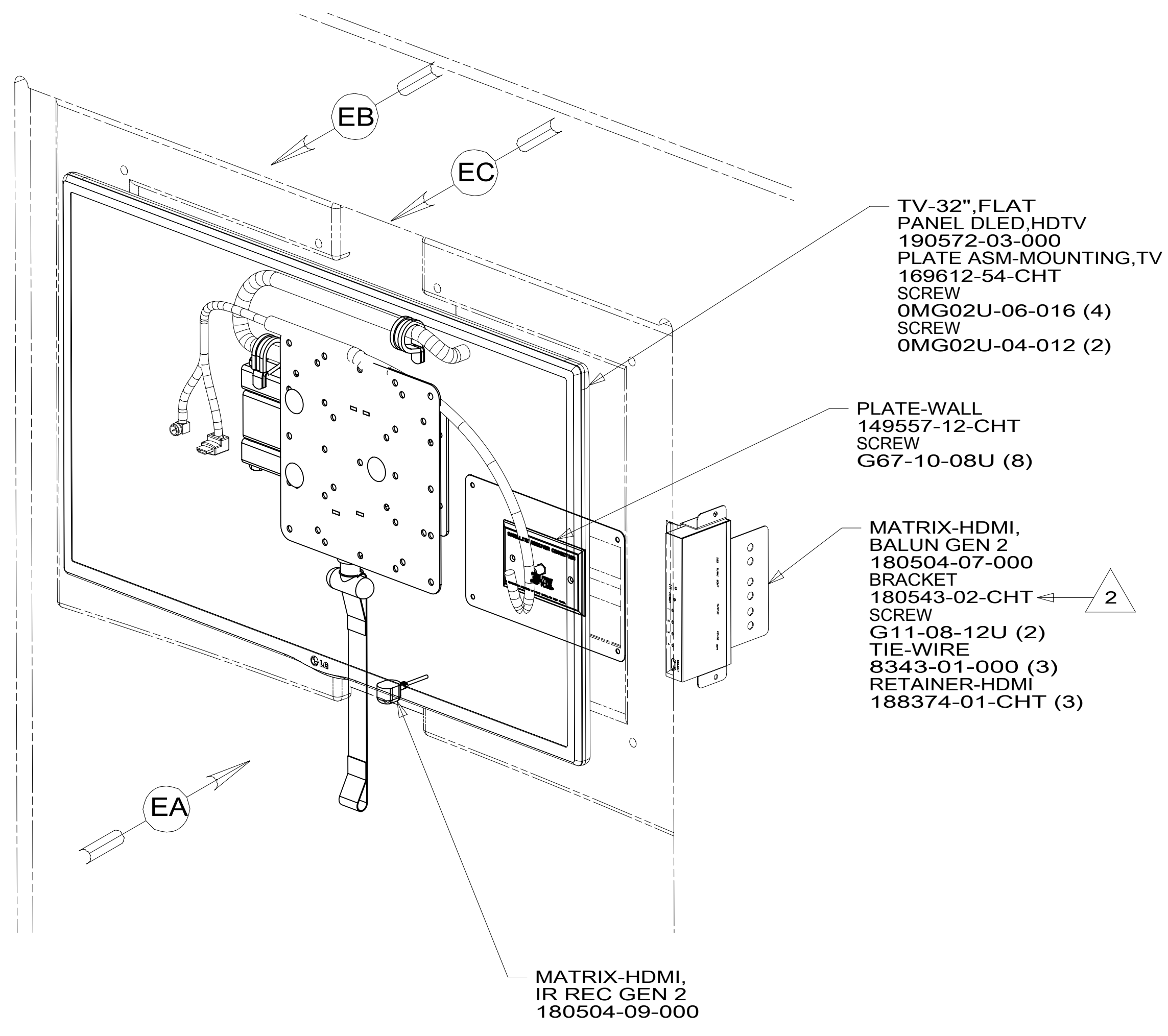
NOTES:

265	CODES/STANDARDS-CSA/CMVSS
1B1	CODES/STANDARDS USA
1B1	265
FIRST USED	
15 J-SERIES	
DO NOT SCALE DRAWING	
TITLE: WIRING INSTL-TV/DVD	
SHEET 4	PART NO 189252 REV
1 08-Sep-2015	

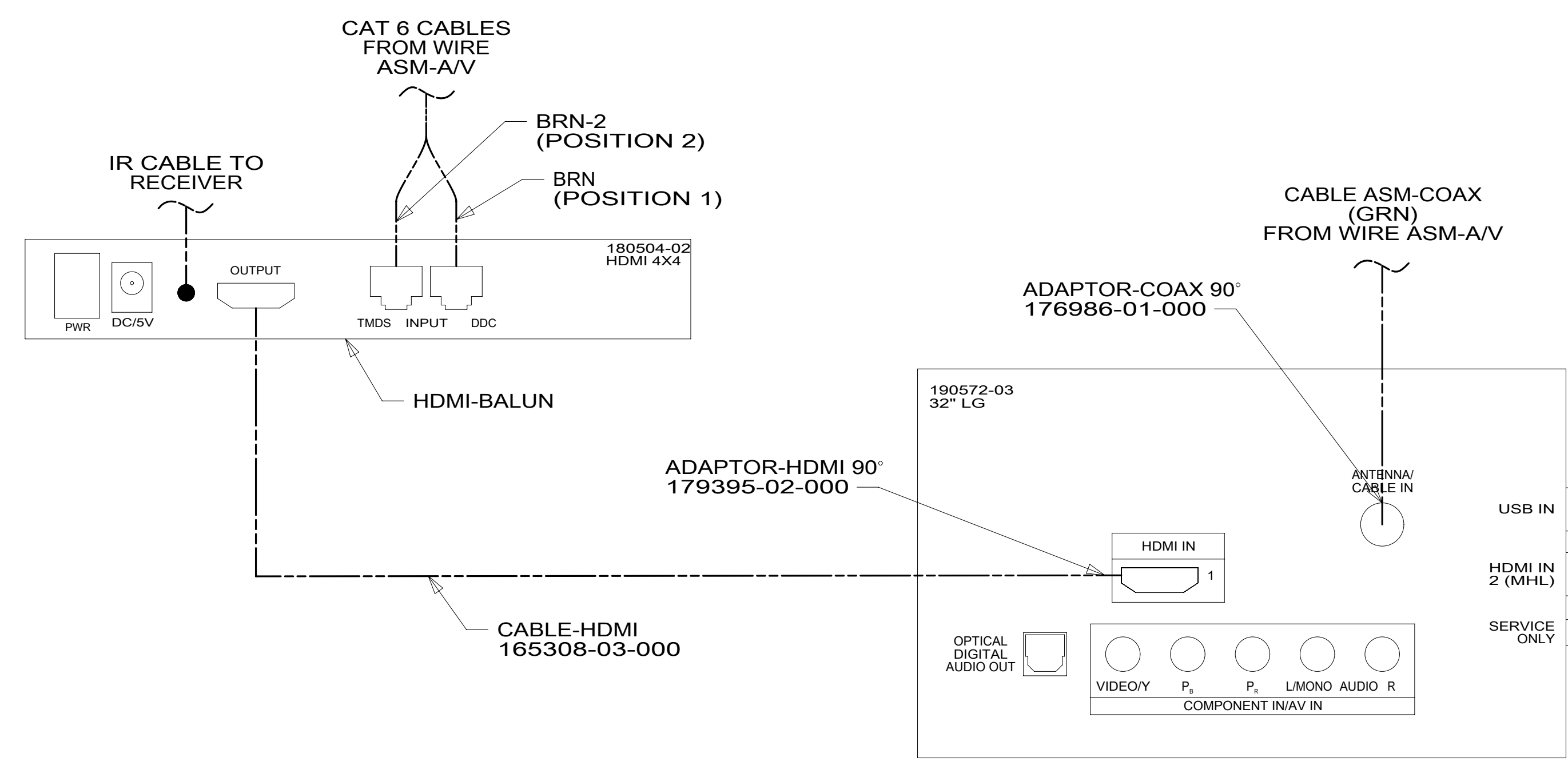
FOR ELECTRICAL TORQUE SPECIFICATIONS SEE DWG NO. 128783-01-000

FOR ELECTRICAL CALLOUTS SEE DWG NO. 121339-01-000

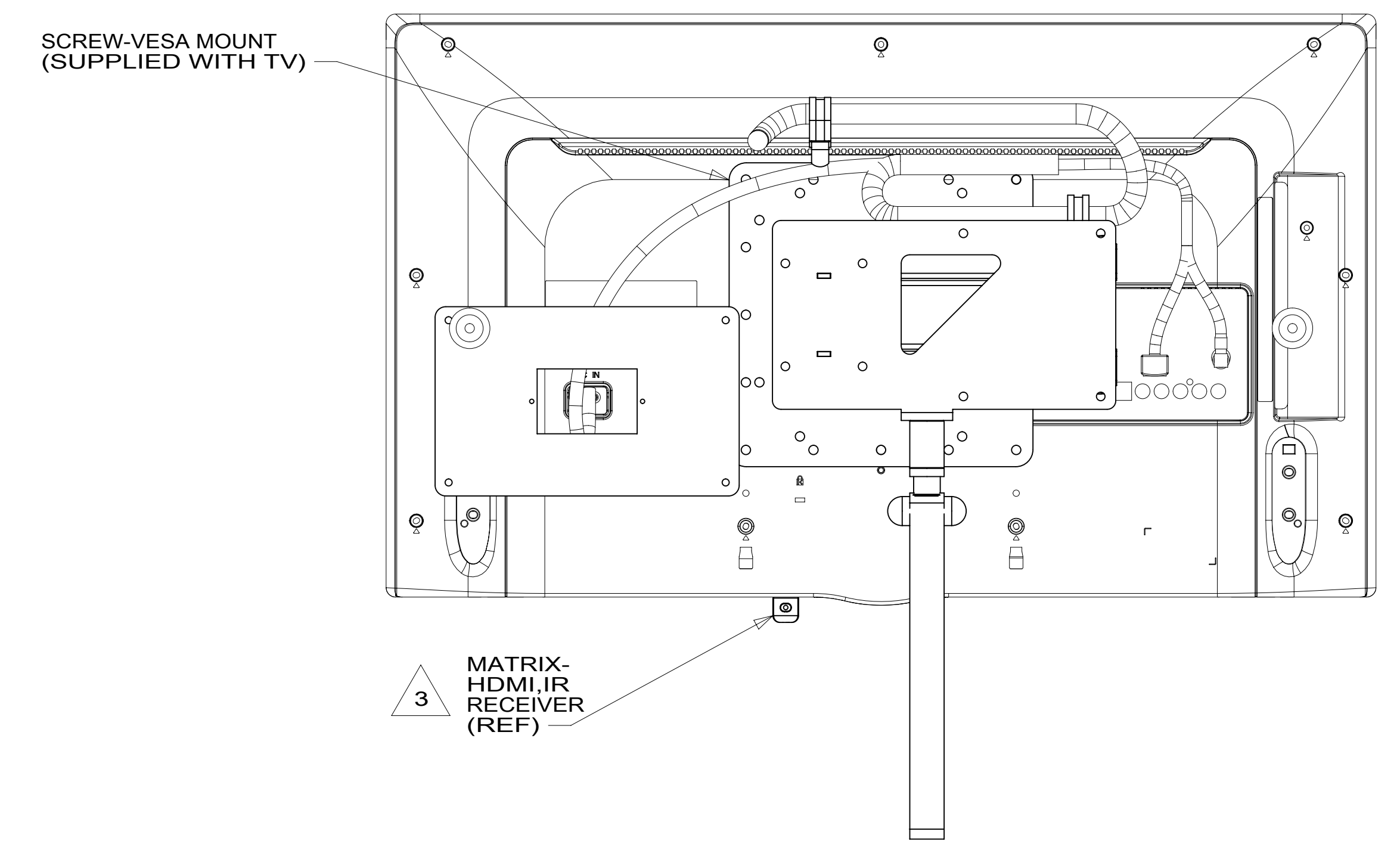
189252



VIEW EA
(TV NOT SHOWN)



VIEW EB



VIEW EC

- NOTES:
- 3 CLEAN AND APPLY ADHESIVE PROMOTER 87211-01-000 TO BONDING SURFACE.
 - 2 BEND BRACKET & ATTACH WIRES TO CLEAR BACK OF CABINET.
 - 1 SWING ARM HOLES NEED TO BE DRILLED OUT TO CLEAR TV BOLTS.

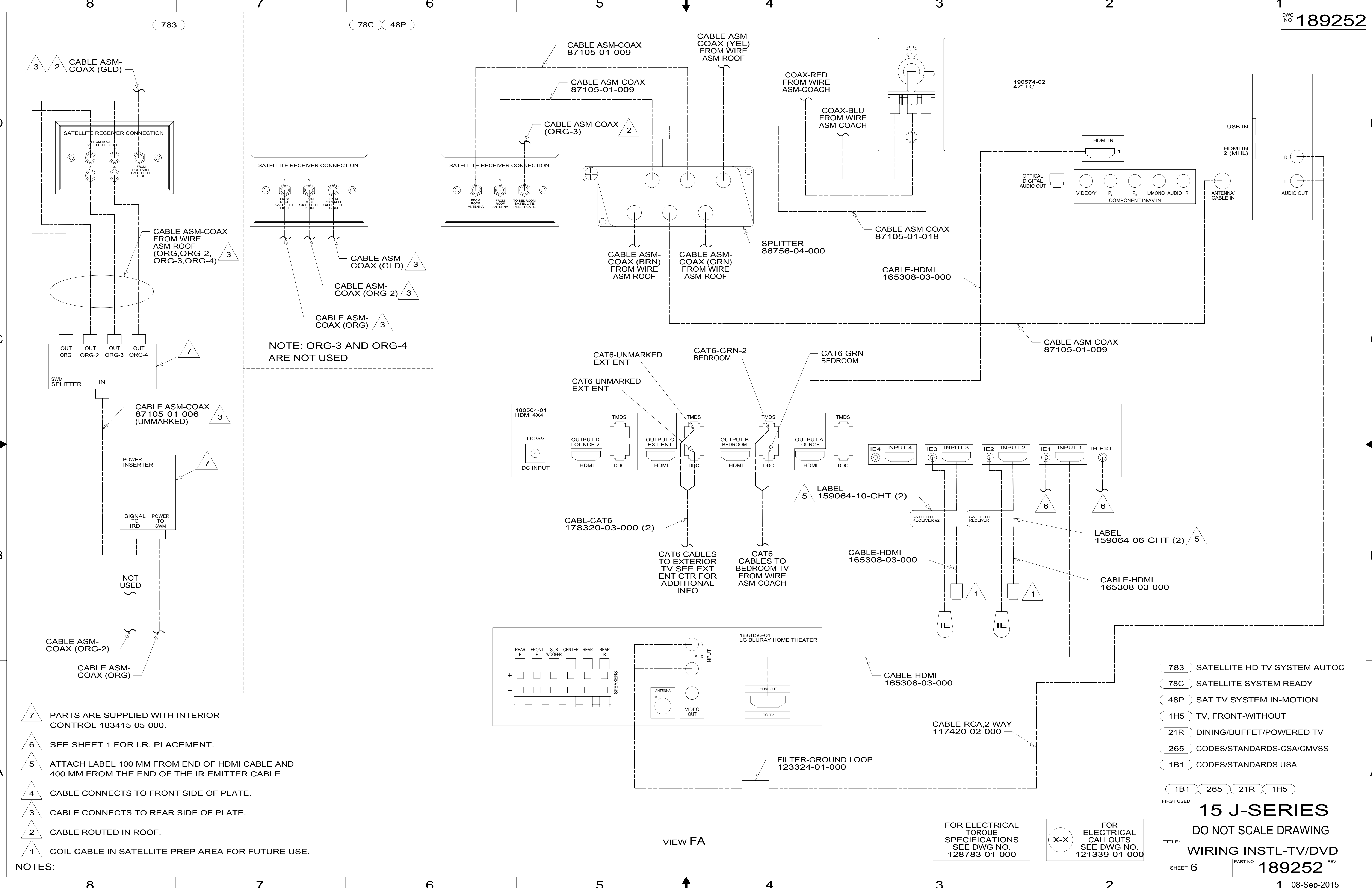
FOR ELECTRICAL TORQUE SPECIFICATIONS SEE DWG NO. 128783-01-000

FOR ELECTRICAL CALLOUTS SEE DWG NO. 121339-01-000

265 CODES/STANDARDS-CSA/CMVSS
1B1 CODES/STANDARDS USA

1B1	265
FIRST USED	
15 J-SERIES	
DO NOT SCALE DRAWING	
TITLE: WIRING INSTL-TV/DVD	
SHEET 5	PART NO 189252 REV
1 08-Sep-2015	

189252



- NOTES:
- 7 PARTS ARE SUPPLIED WITH INTERIOR CONTROL 183415-05-000.
 - 6 SEE SHEET 1 FOR I.R. PLACEMENT.
 - 5 ATTACH LABEL 100 MM FROM END OF HDMI CABLE AND 400 MM FROM THE END OF THE IR EMITTER CABLE.
 - 4 CABLE CONNECTS TO FRONT SIDE OF PLATE.
 - 3 CABLE CONNECTS TO REAR SIDE OF PLATE.
 - 2 CABLE ROUTED IN ROOF.
 - 1 COIL CABLE IN SATELLITE PREP AREA FOR FUTURE USE.

- 783 SATELLITE HD TV SYSTEM AUTOC
- 78C SATELLITE SYSTEM READY
- 48P SAT TV SYSTEM IN-MOTION
- 1H5 TV, FRONT-WITHOUT
- 21R DINING/BUFFET/POWERED TV
- 265 CODES/STANDARDS-CSA/CMVSS
- 1B1 CODES/STANDARDS USA

FIRST USED

15 J-SERIES

DO NOT SCALE DRAWING

TITLE: **WIRING INSTL-TV/DVD**

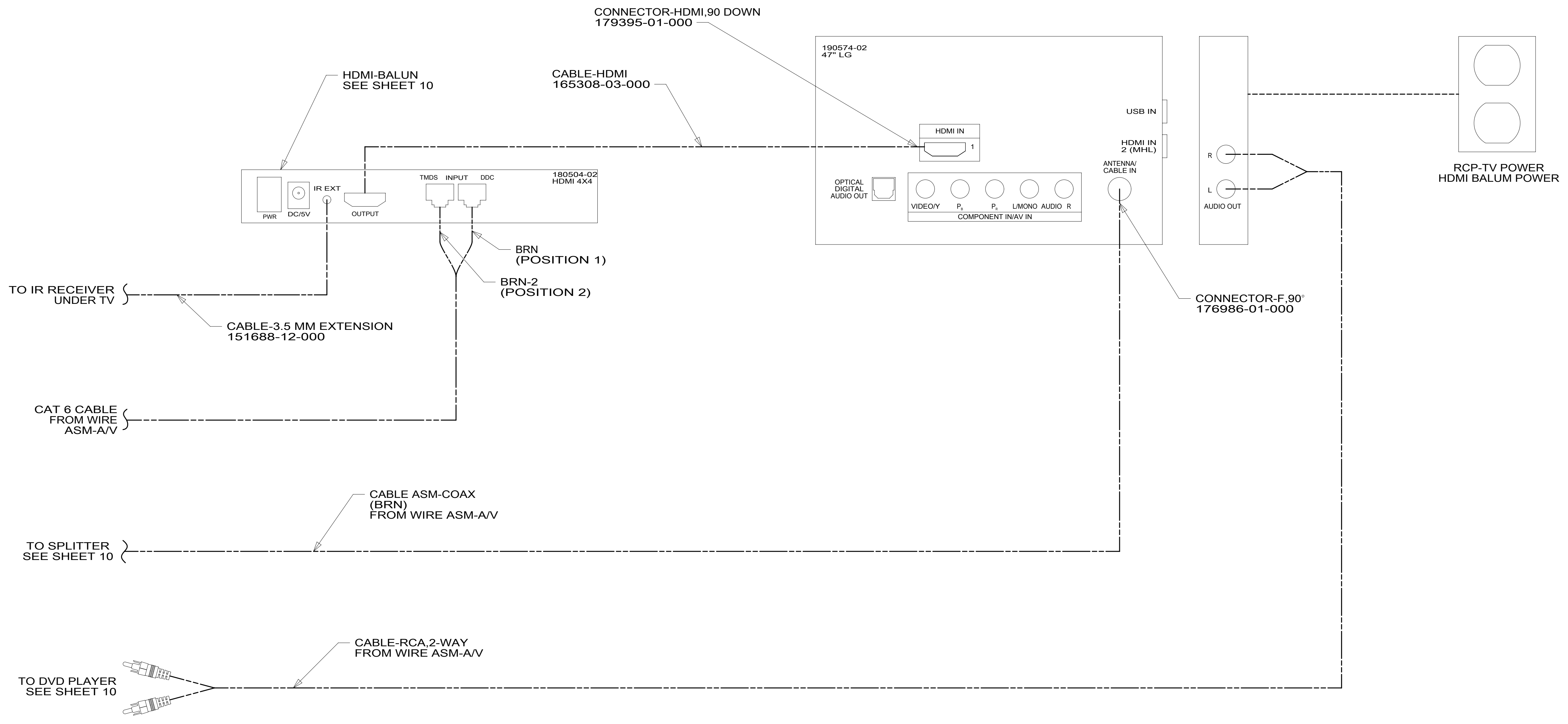
SHEET 6 PART NO **189252** REV

1 08-Sep-2015

FOR ELECTRICAL TORQUE SPECIFICATIONS SEE DWG NO. 128783-01-000

X-X FOR ELECTRICAL CALLOUTS SEE DWG NO. 121339-01-000

VIEW FA



VIEW GA

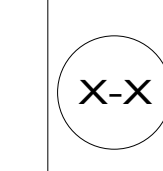
- 21R DINING/BUFFET/POWERED TV
- 265 CODES/STANDARDS-CSA/CMVSS
- 1B1 CODES/STANDARDS USA

1B1 265 21R

FIRST USED		
15 J-SERIES		
DO NOT SCALE DRAWING		
TITLE: WIRING INSTL-TV/DVD		
SHEET 7	PART NO 189252	REV
1 08-Sep-2015		

FOR ELECTRICAL TORQUE SPECIFICATIONS SEE DWG NO. 128783-01-000

FOR ELECTRICAL CALLOUTS SEE DWG NO. 121339-01-000



*189252 *A

8

7

6

5

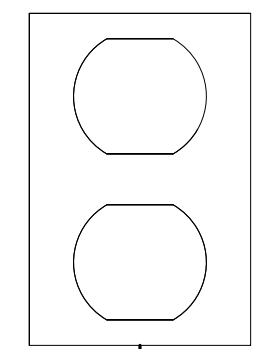
4

3

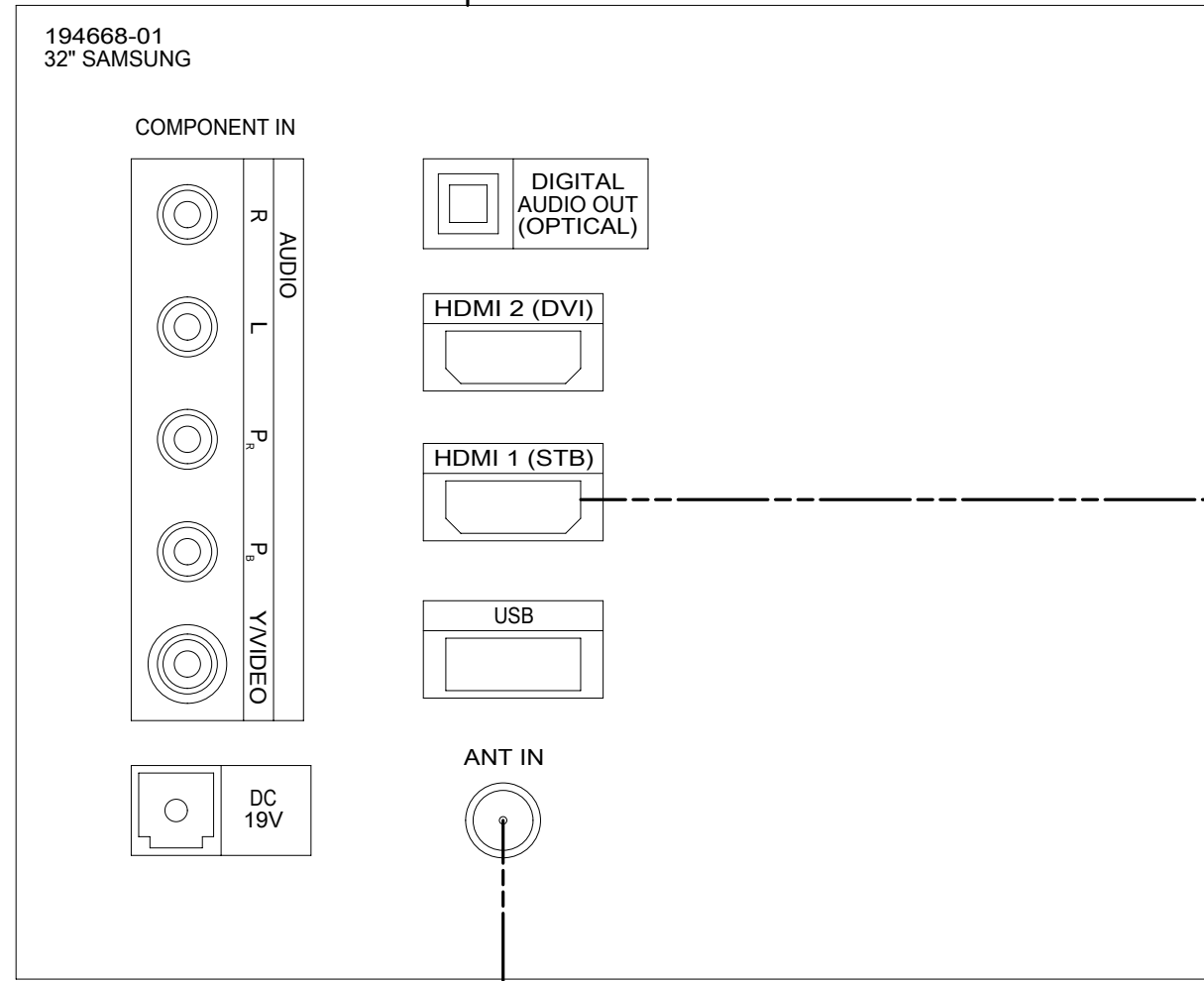
2

1

RCP-COMPONENT



POWER CORD (TV)



CABLE-HDMI 165308-05-000

LABEL 159064-06-CHT

SATELLITE RECEIVER

150

TO DVD PREP SHELF 1

COAX-BLU FROM ANTENNA

CABLE INPUT NOT USED

CABLE ASM-COAX 87105-01-030 (UNMARKED)

DETAIL HA

19B TV(FRONT)-32" COLOR STEREO

265 CODES/STANDARDS-CSA/CMVSS

1B1 CODES/STANDARDS USA

1B1 265 19B

FIRST USED 15 J-SERIES

DO NOT SCALE DRAWING

TITLE: WIRING INSTL-TV/DVD

SHEET 8 PART NO 189252 REV

FOR ELECTRICAL TORQUE SPECIFICATIONS SEE DWG NO. 128783-01-000

FOR ELECTRICAL CALLOUTS SEE DWG NO. 121339-01-000

1 ROUTE CABLE TO LEFT OVHD CABINET AND COIL EXCESS NEXT TO SATELLITE PREP PLATE.

NOTES:

8

7

6

5

4

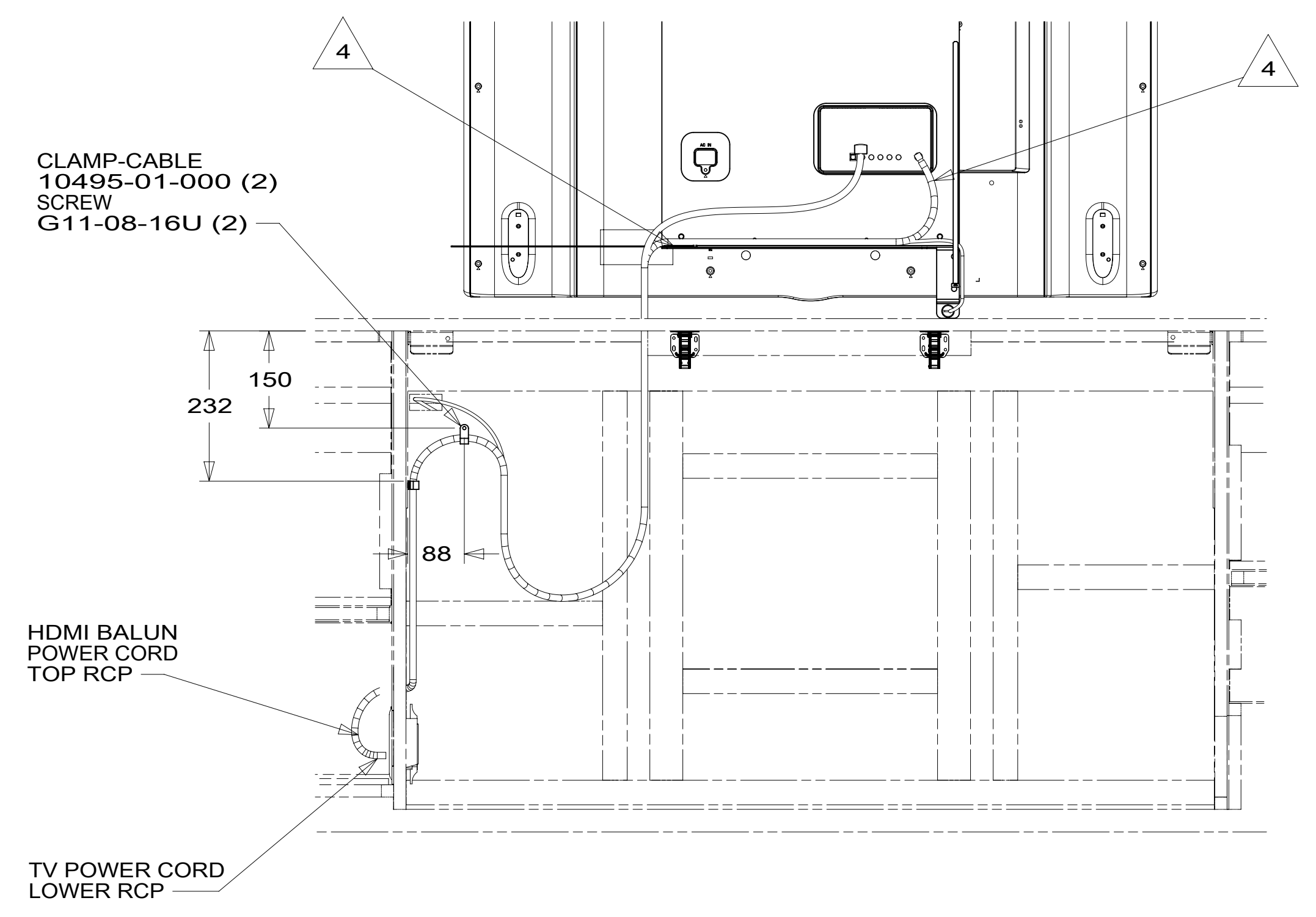
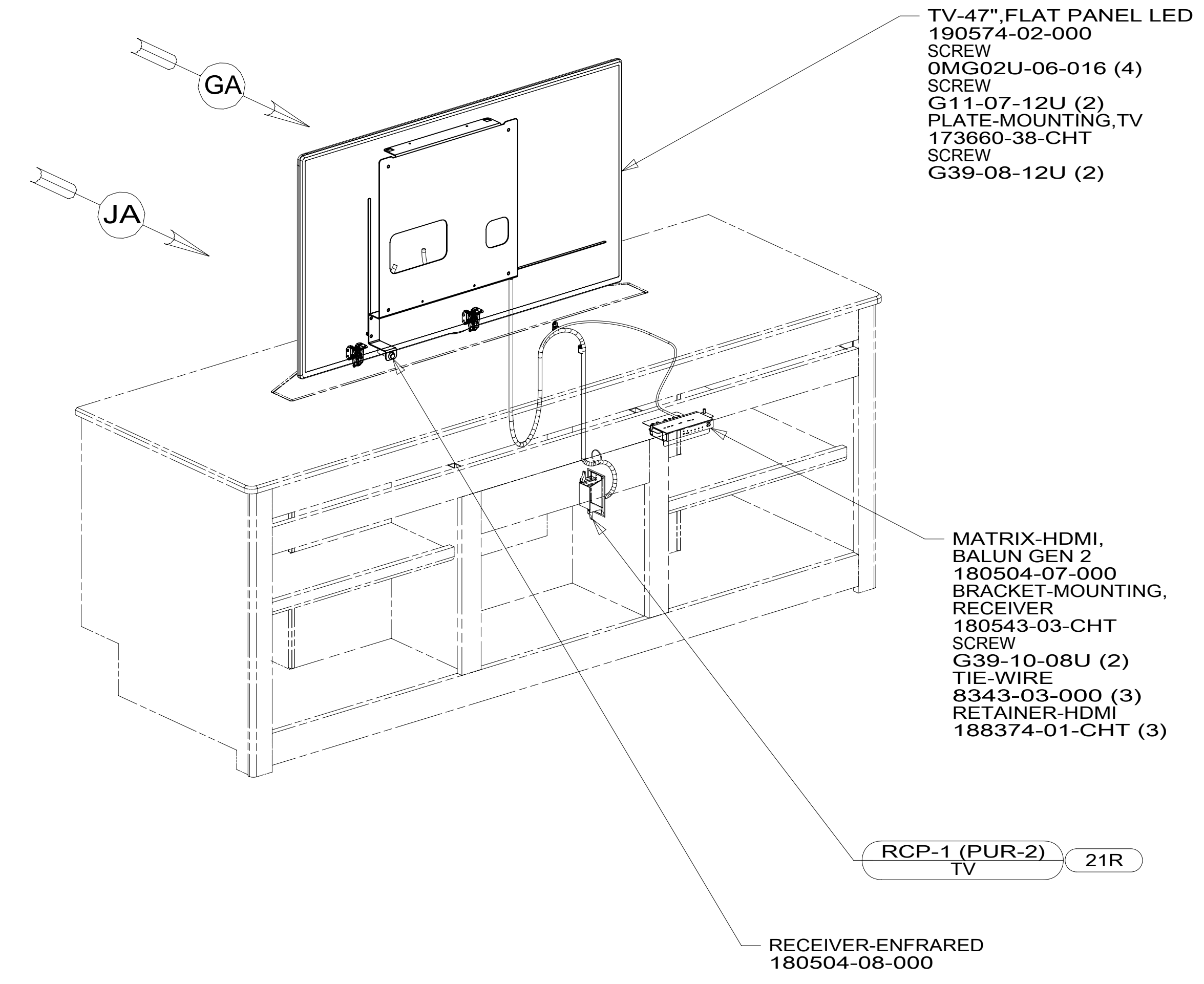
3

2

1

08-Sep-2015

189252



DETAIL JA

- NOTES:
- 4 SECURE CABLE WITH TIE-WIRE 8343-03-000 THROUGH HOLE IN BRACKET AS SHOWN.
 - 3. WHERE WIRES PASS THROUGH HOLES IN STEEL AND NOT OTHERWISE PROTECTED, USE GROMMET 92908-02-000.
 - 2. ALL WIRES TO BE SECURED WITH CLAMP 10495-01-000 OR CLIP 80734-01-000 EVERY 600MM. USE SCREW G67-10-12U UNLESS OTHERWISE SPECIFIED.
 - 1. 110V WIRE TO BE CLAMPED WITH CLAMP 10497-05-000 WITHIN 200MM OF OUTLET BOXES, USE SCREW G67-10-12U.

- 783 SATELLITE HD TV SYSTEM AUTOC
- 48P SAT TV SYSTEM IN-MOTION
- 78K SATELLITE DISH-AUTOMATIC
- 1JM HOME THEATER SOUND SYSTEM
- 21R DINING/BUFFET/POWERED TV
- 265 CODES/STANDARDS-CSA/CMVSS
- 1B1 CODES/STANDARDS USA

1B1 265 21R

FIRST USED

15 J-SERIES

DO NOT SCALE DRAWING

TITLE: WIRING INSTL-TV/DVD

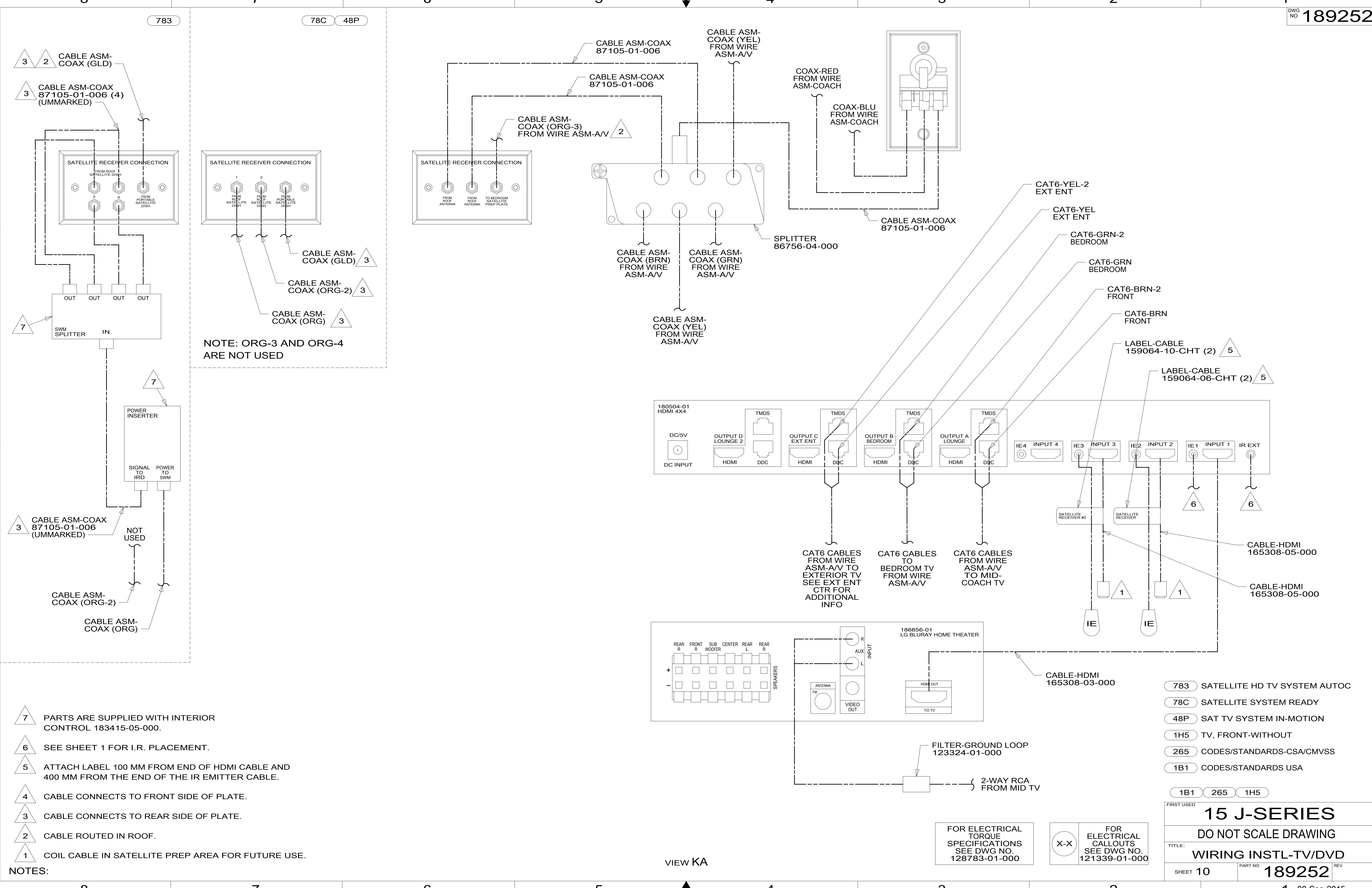
SHEET 9 PART NO. 189252 REV

1 08-Sep-2015

FOR ELECTRICAL TORQUE SPECIFICATIONS SEE DWG NO. 128783-01-000

FOR ELECTRICAL CALLOUTS SEE DWG NO. 121339-01-000

*189252 *A



- NOTES:
- 7 PARTS ARE SUPPLIED WITH INTERIOR CONTROL 183415-05-000.
 - 6 SEE SHEET 1 FOR I.R. PLACEMENT.
 - 5 ATTACH LABEL 100 MM FROM END OF HDMI CABLE AND 400 MM FROM THE END OF THE IR EMITTER CABLE.
 - 4 CABLE CONNECTS TO FRONT SIDE OF PLATE.
 - 3 CABLE CONNECTS TO REAR SIDE OF PLATE.
 - 2 CABLE ROUTED IN ROOF.
 - 1 COIL CABLE IN SATELLITE PREP AREA FOR FUTURE USE.

- 783 SATELLITE HD TV SYSTEM AUTOC
- 78C SATELLITE SYSTEM READY
- 48P SAT TV SYSTEM IN-MOTION
- 1H5 TV, FRONT-WITHOUT
- 265 CODES/STANDARDS-CSA/CMVSS
- 1B1 CODES/STANDARDS USA

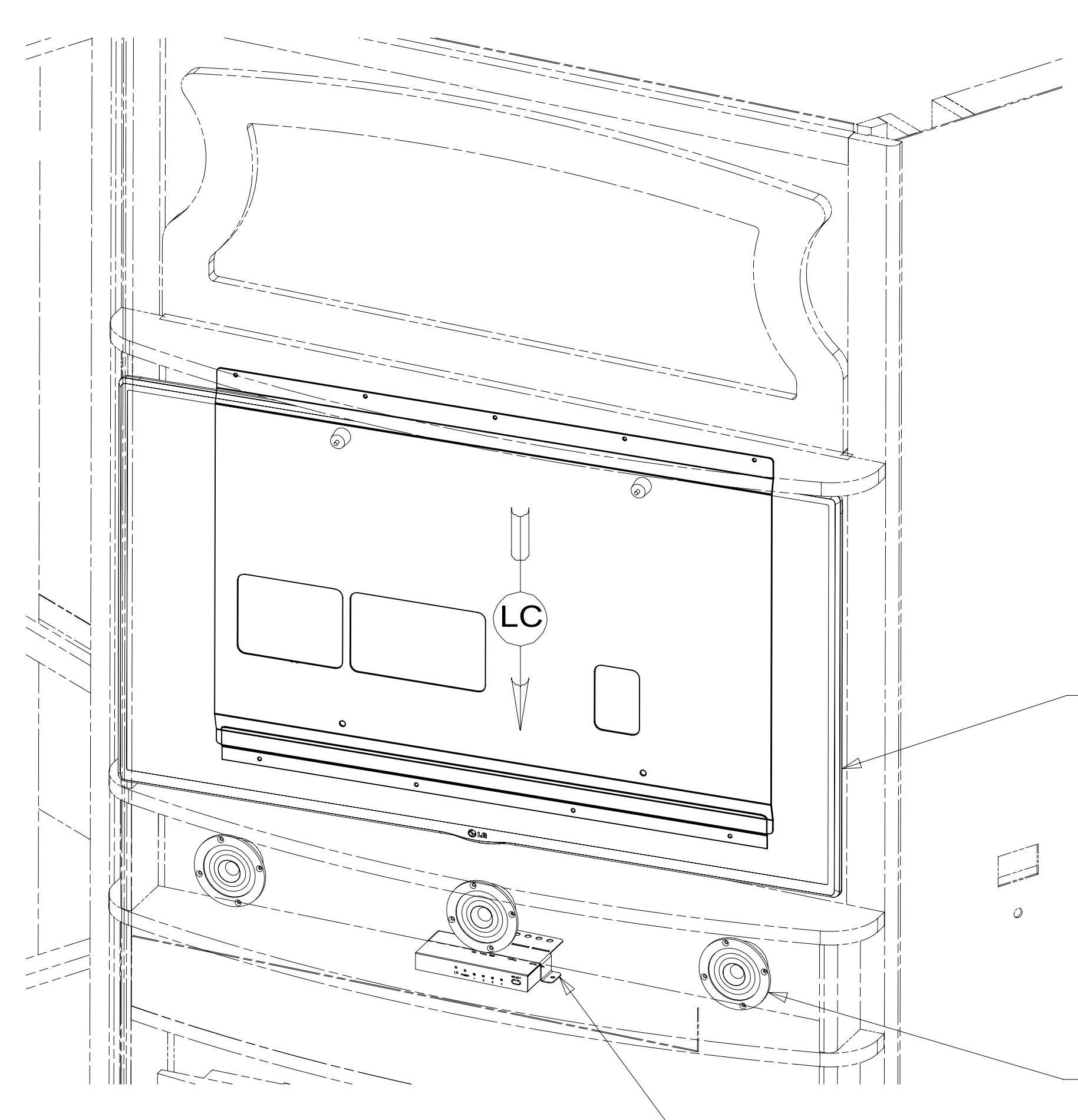
1B1	265	1H5
FIRST USED		
15 J-SERIES		
DO NOT SCALE DRAWING		
TITLE: WIRING INSTL-TV/DVD		
SHEET 10	PART NO 189252	REV
1 08-Sep-2015		

FOR ELECTRICAL TORQUE SPECIFICATIONS SEE DWG NO. 128783-01-000

FOR ELECTRICAL CALLOUTS SEE DWG NO. 121339-01-000

VIEW KA

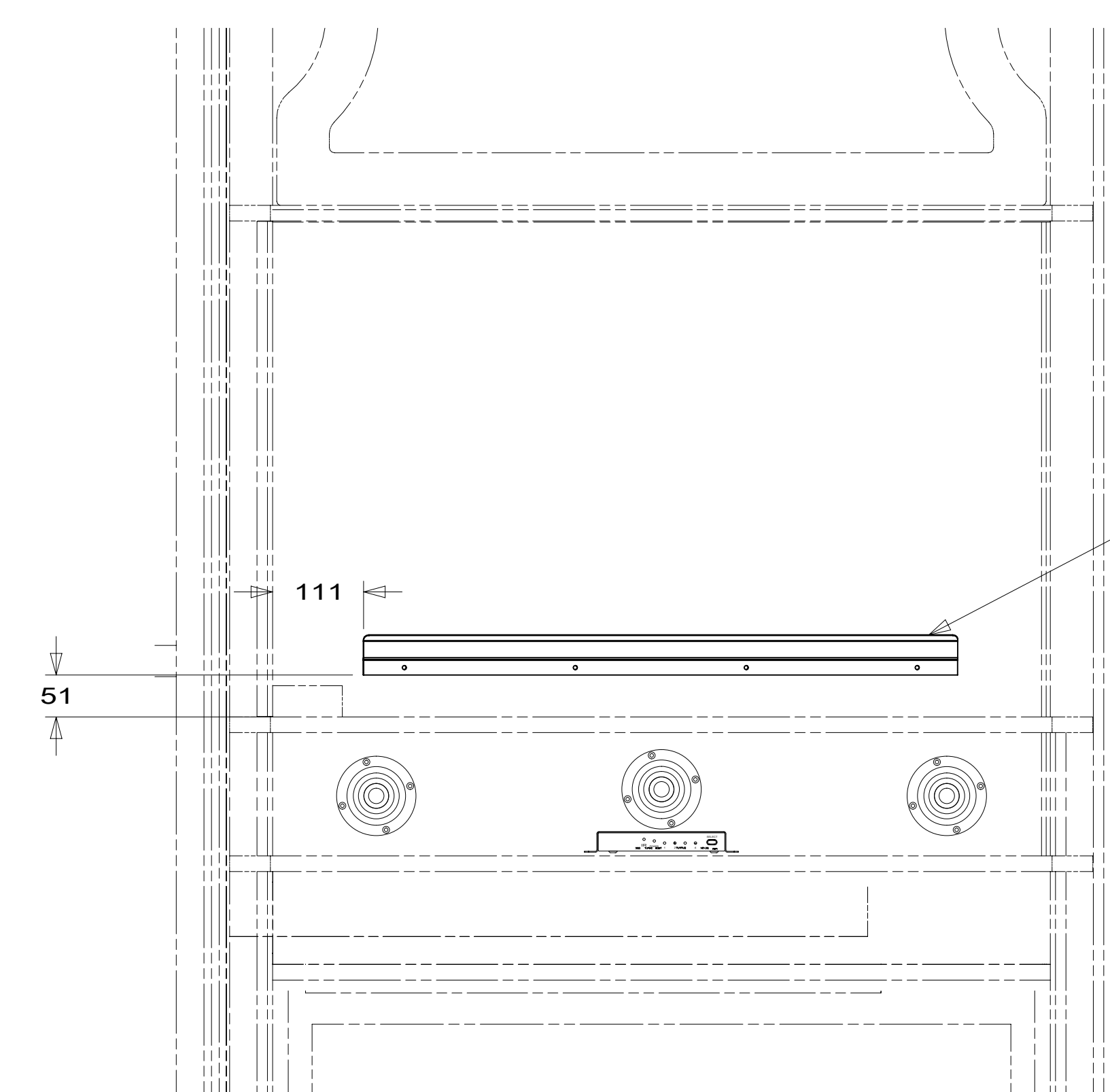
189252



TV-42",FLAT PANEL DLED,HDTV
190573-02-000
SCREW
(VESA MOUNT)
OMG02U-06-016 (4)
SCREW
G11-08-12U (3)
BRACKET-MOUNTING,TV
173564-28-CHT

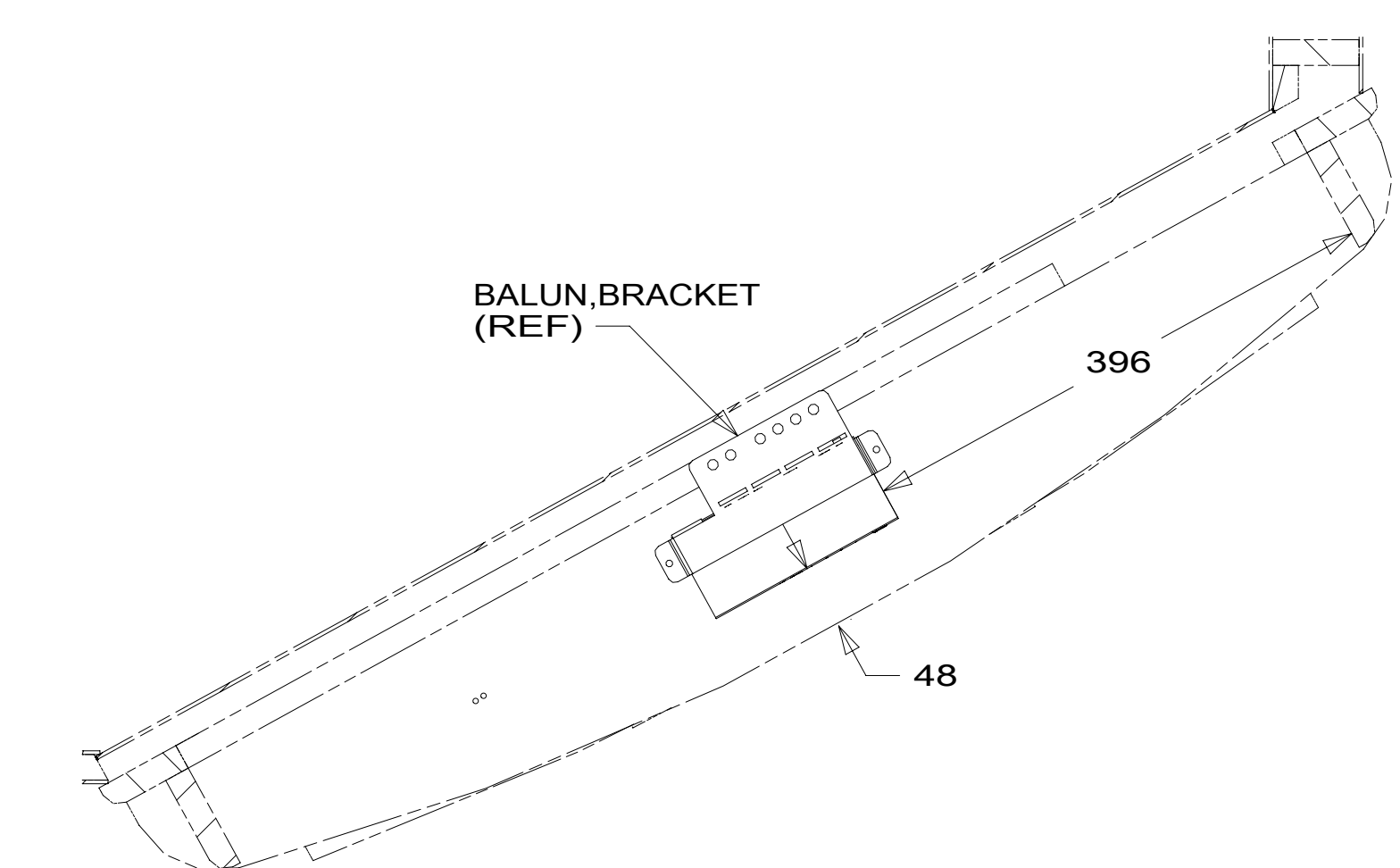
SPEAKER-ROUND,W/O CASE
160868-01-CHT (3)
SCREW
G11-07-08U (12)

MATRIX-HDMI,
BALUN GEN 2
180504-07-000
BRACKET
180543-08-CHT
SCREW
G11-08-12U (2)
RETAINER-HDMI
188374-01-CHT (3)

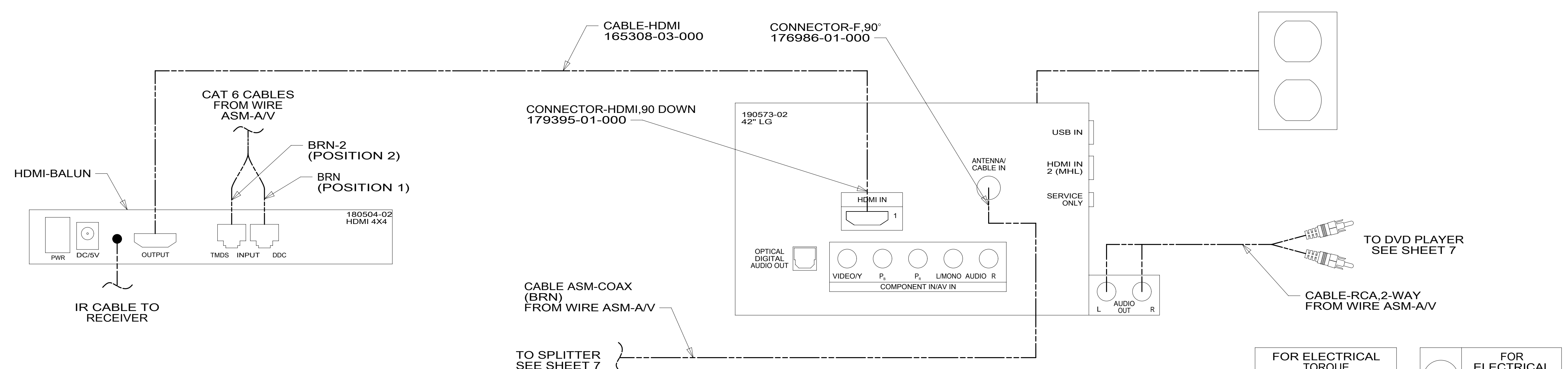


VIEW LA
(TV NOT SHOWN)

CLIP-TRIM
130034-01-CHT
SCREW
G11-08-12U (4)



VIEW LC



VIEW LB

265 CODES/STANDARDS-CSA/CMVSS
1B1 CODES/STANDARDS USA

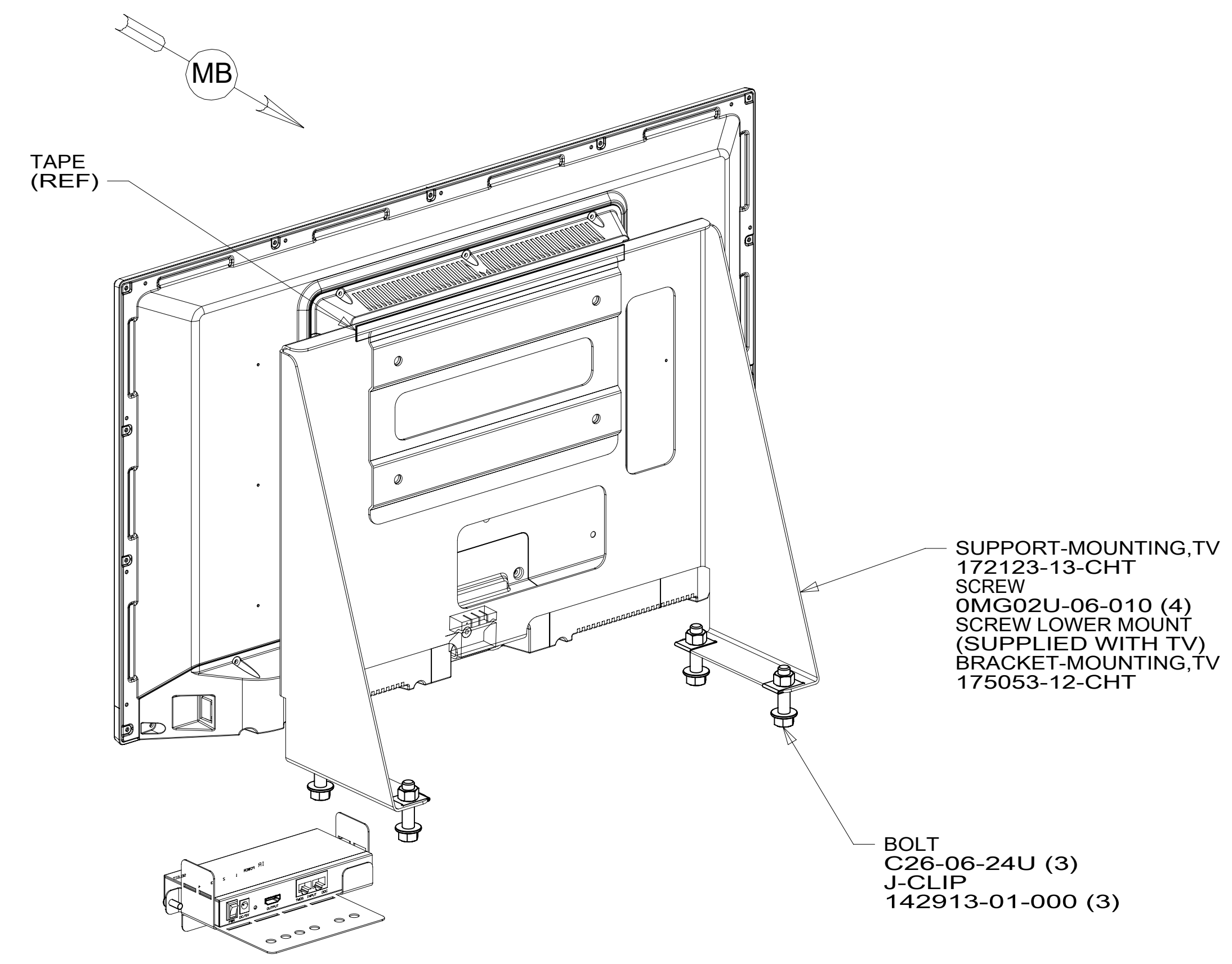
1B1 265

FIRST USED	
15 J-SERIES	
DO NOT SCALE DRAWING	
TITLE: WIRING INSTL-TV/DVD	
SHEET 11	PART NO 189252 REV

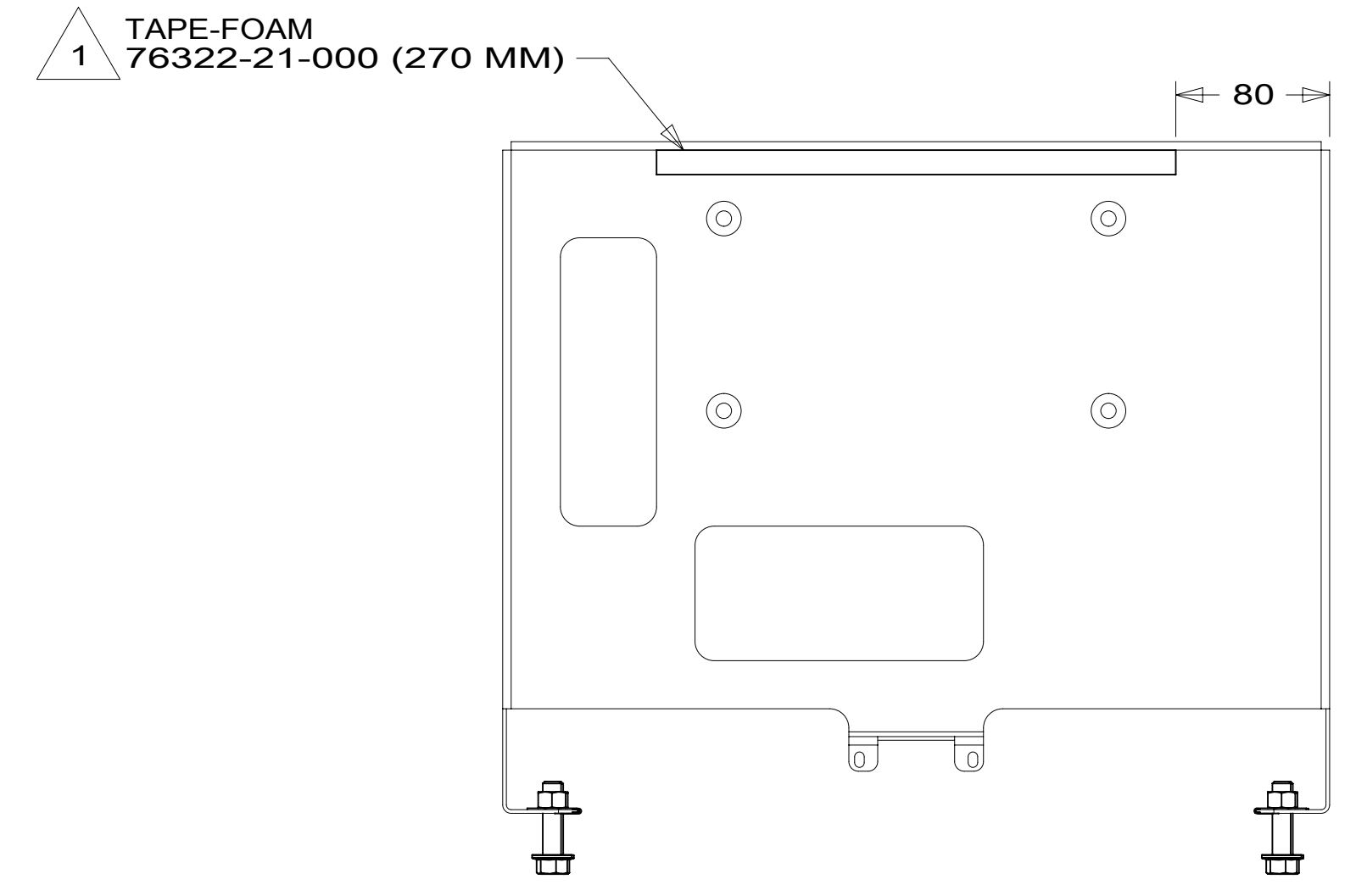
FOR ELECTRICAL
TORQUE
SPECIFICATIONS
SEE DWG NO.
128783-01-000

FOR ELECTRICAL
CALLOUTS
SEE DWG NO.
121339-01-000

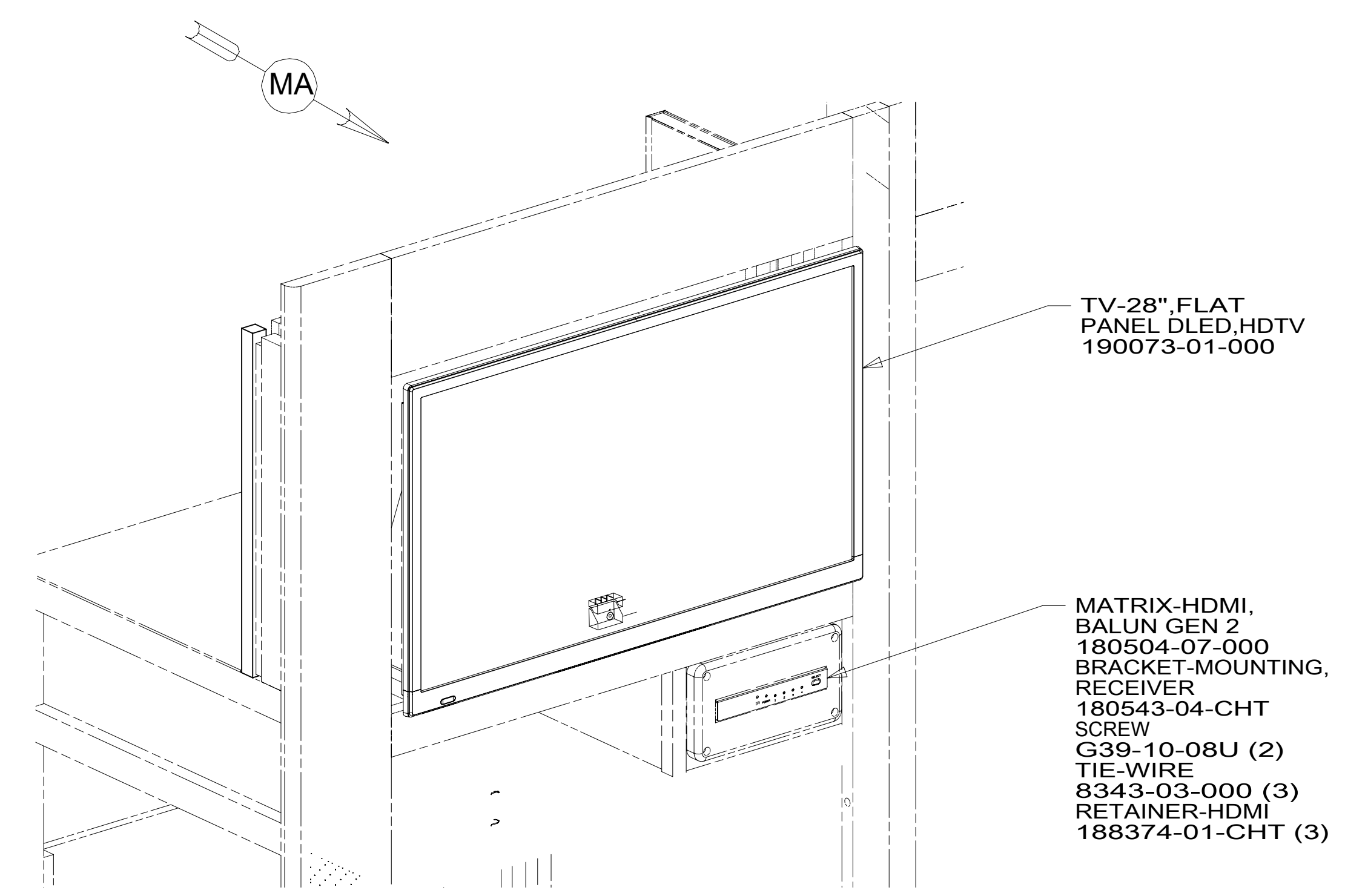
189252



VIEW MA

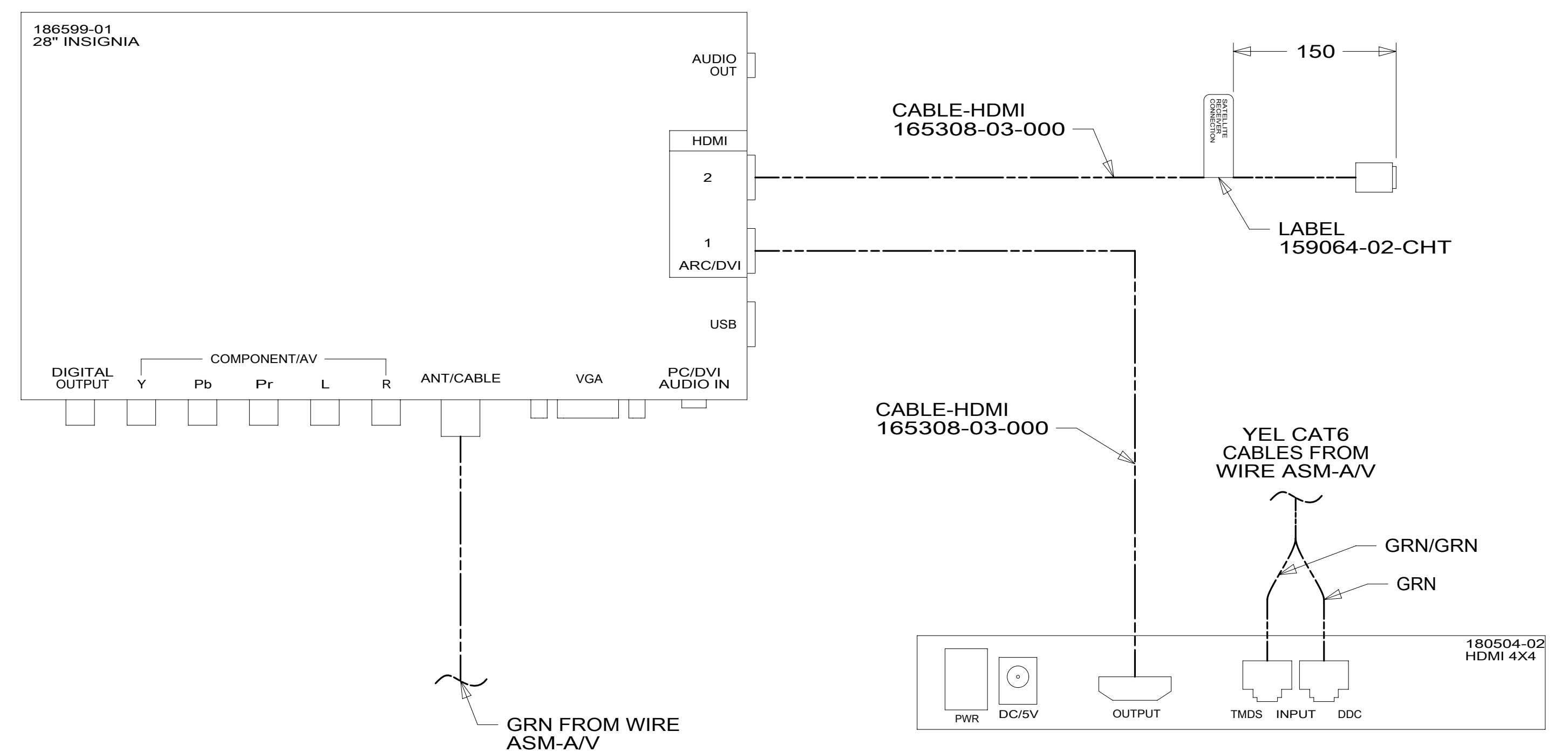


VIEW MB SHOWN WITHOUT TV



FOR ELECTRICAL TORQUE SPECIFICATIONS SEE DWG NO. 128783-01-000

FOR ELECTRICAL CALLOUTS SEE DWG NO. 121339-01-000



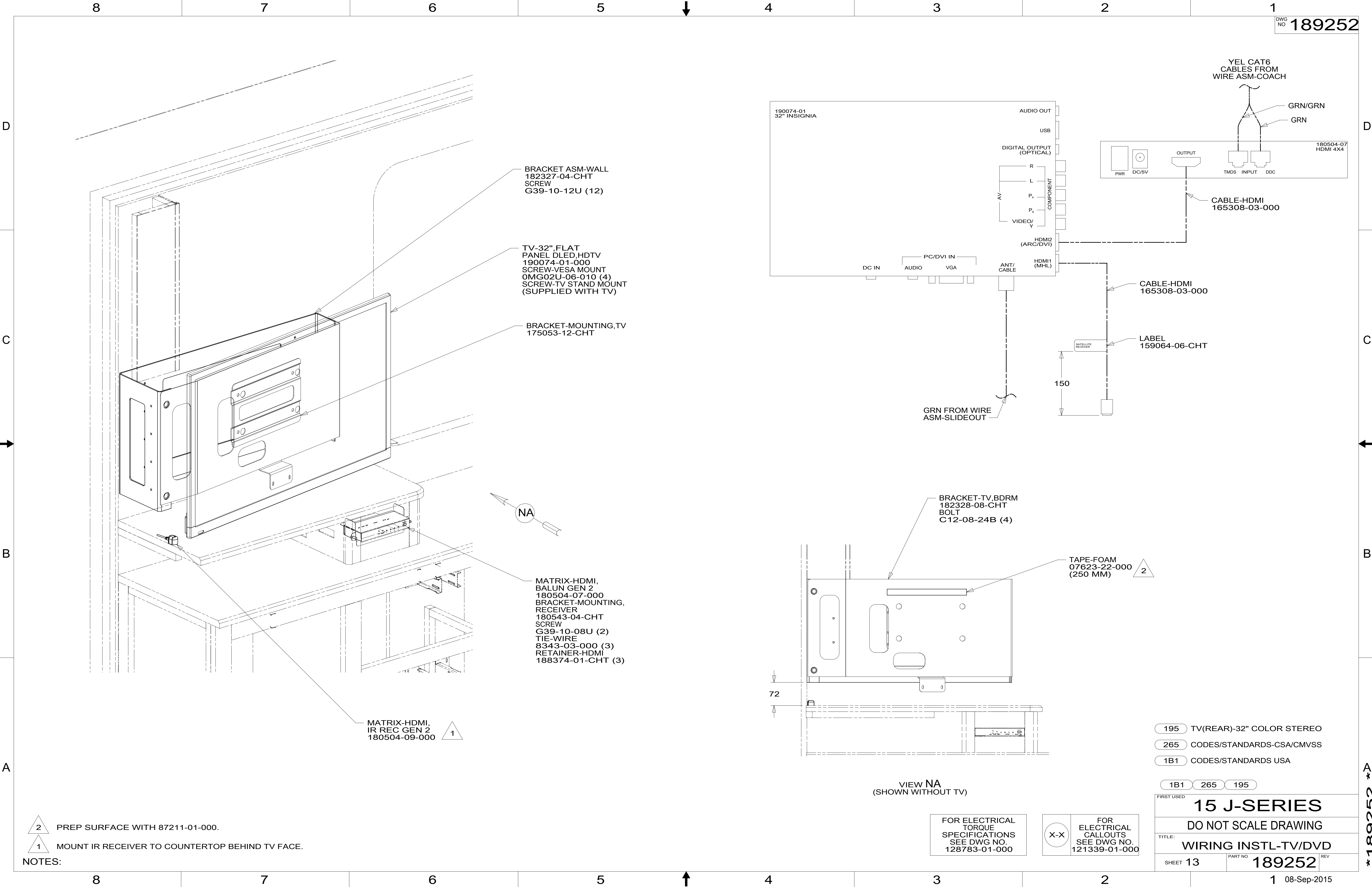
1 CLEAN AND APPLY ADHESIVE PROMOTER 87211-01-000 TO BOTH SURFACES AND BOND WHERE BRACKET CONTACTS TV.

NOTES:

- 61M TV(REAR)-28" COLOR STEREO
- 265 CODES/STANDARDS-CSA/CMVSS
- 1B1 CODES/STANDARDS USA

1B1	265	61M
FIRST USED		
15 J-SERIES		
DO NOT SCALE DRAWING		
TITLE: WIRING INSTL-TV/DVD		
SHEET 12	PART NO 189252	REV
1 08-Sep-2015		

189252



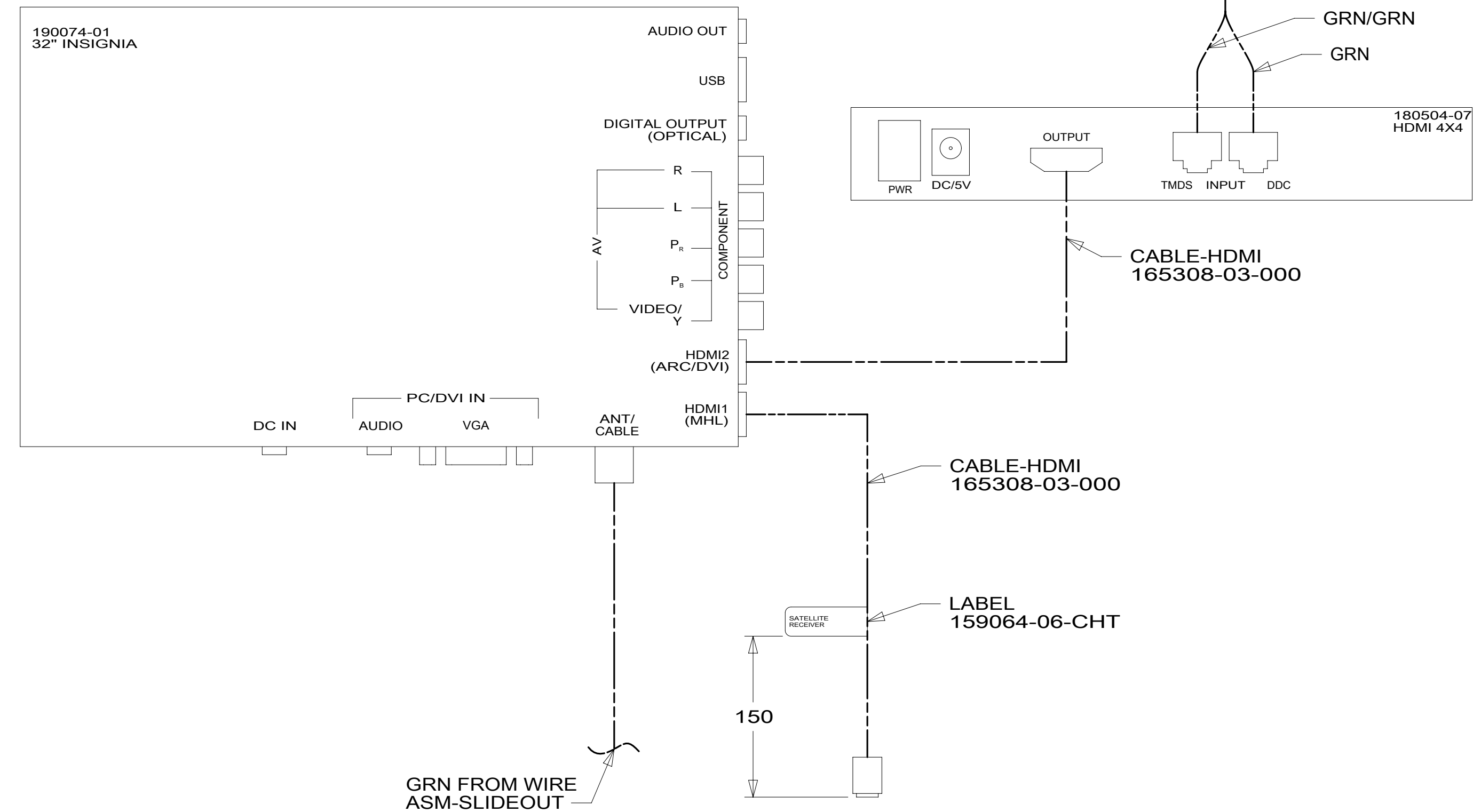
BRACKET ASM-WALL
182327-04-CHT
SCREW
G39-10-12U (12)

TV-32",FLAT
PANEL DLED,HDTV
190074-01-000
SCREW-VESA MOUNT
OMG02U-06-010 (4)
SCREW-TV STAND MOUNT
(SUPPLIED WITH TV)

BRACKET-MOUNTING,TV
175053-12-CHT

MATRIX-HDMI,
BALUN GEN 2
180504-07-000
BRACKET-MOUNTING,
RECEIVER
180543-04-CHT
SCREW
G39-10-08U (2)
TIE-WIRE
8343-03-000 (3)
RETAINER-HDMI
188374-01-CHT (3)

MATRIX-HDMI,
IR REC GEN 2
180504-09-000



GRN FROM WIRE
ASM-SLIDEOUT

CABLE-HDMI
165308-03-000

CABLE-HDMI
165308-03-000

LABEL
159064-06-CHT

BRACKET-TV,BDRM
182328-08-CHT
BOLT
C12-08-24B (4)

TAPE-FOAM
07623-22-000
(250 MM)

72

VIEW NA
(SHOWN WITHOUT TV)

- 195 TV(REAR)-32" COLOR STEREO
- 265 CODES/STANDARDS-CSA/CMVSS
- 1B1 CODES/STANDARDS USA

1B1 265 195

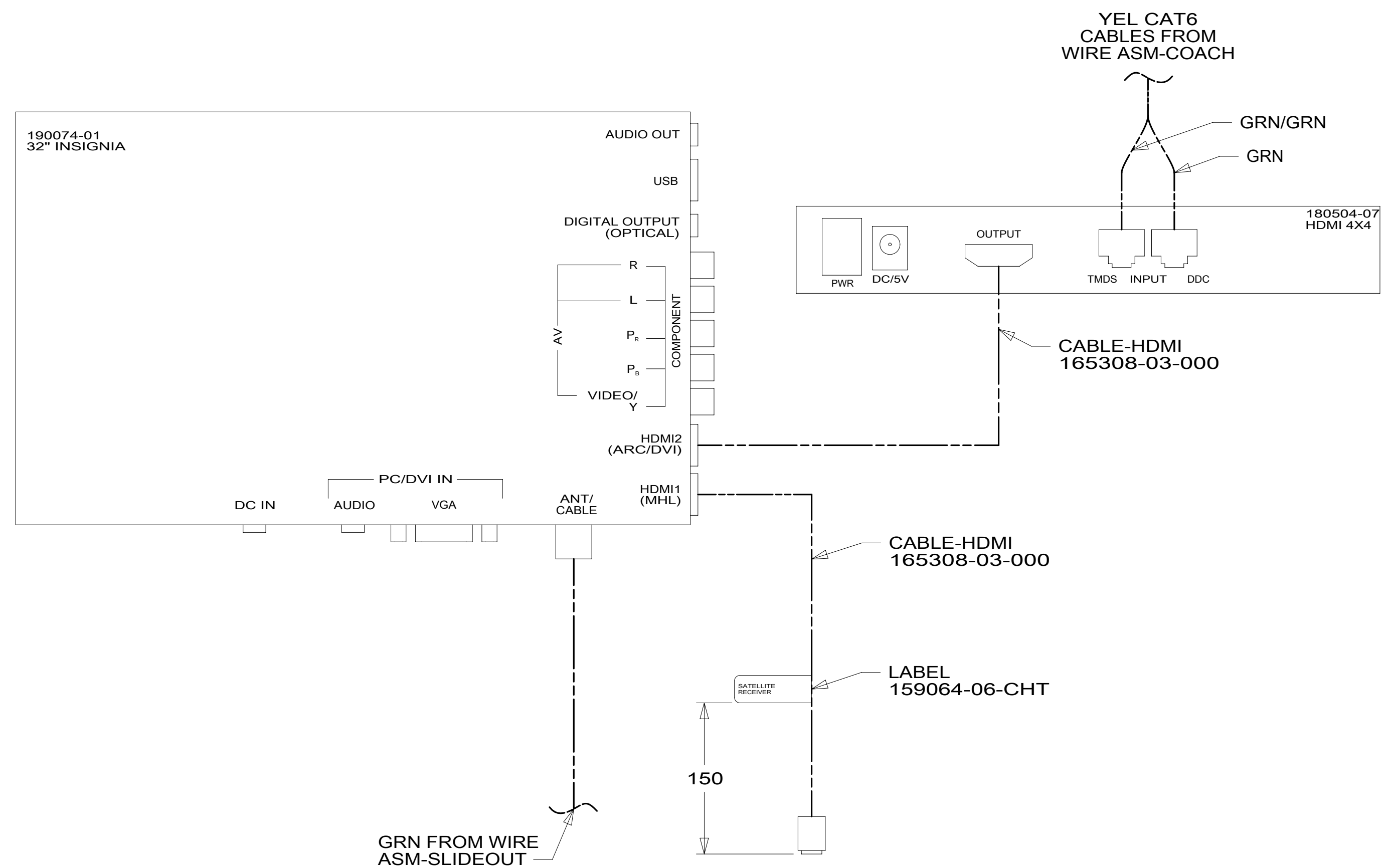
FIRST USED	
15 J-SERIES	
DO NOT SCALE DRAWING	
TITLE: WIRING INSTL-TV/DVD	
SHEET 13	PART NO 189252 REV
1 08-Sep-2015	

FOR ELECTRICAL
TORQUE
SPECIFICATIONS
SEE DWG NO.
128783-01-000

FOR ELECTRICAL
CALLOUTS
SEE DWG NO.
121339-01-000

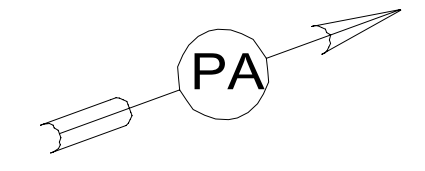
- NOTES:
- 2 PREP SURFACE WITH 87211-01-000.
 - 1 MOUNT IR RECEIVER TO COUNTERTOP BEHIND TV FACE.

189252



TV-32", FLAT
PANEL DLED, HDTV
190074-01-000
SCREW-VESA MOUNT
0MG02U-06-010 (4)
SCREW-TV STAND MOUNT
(SUPPLIED WITH TV)

BRACKET-MOUNTING, TV
175053-12-CHT



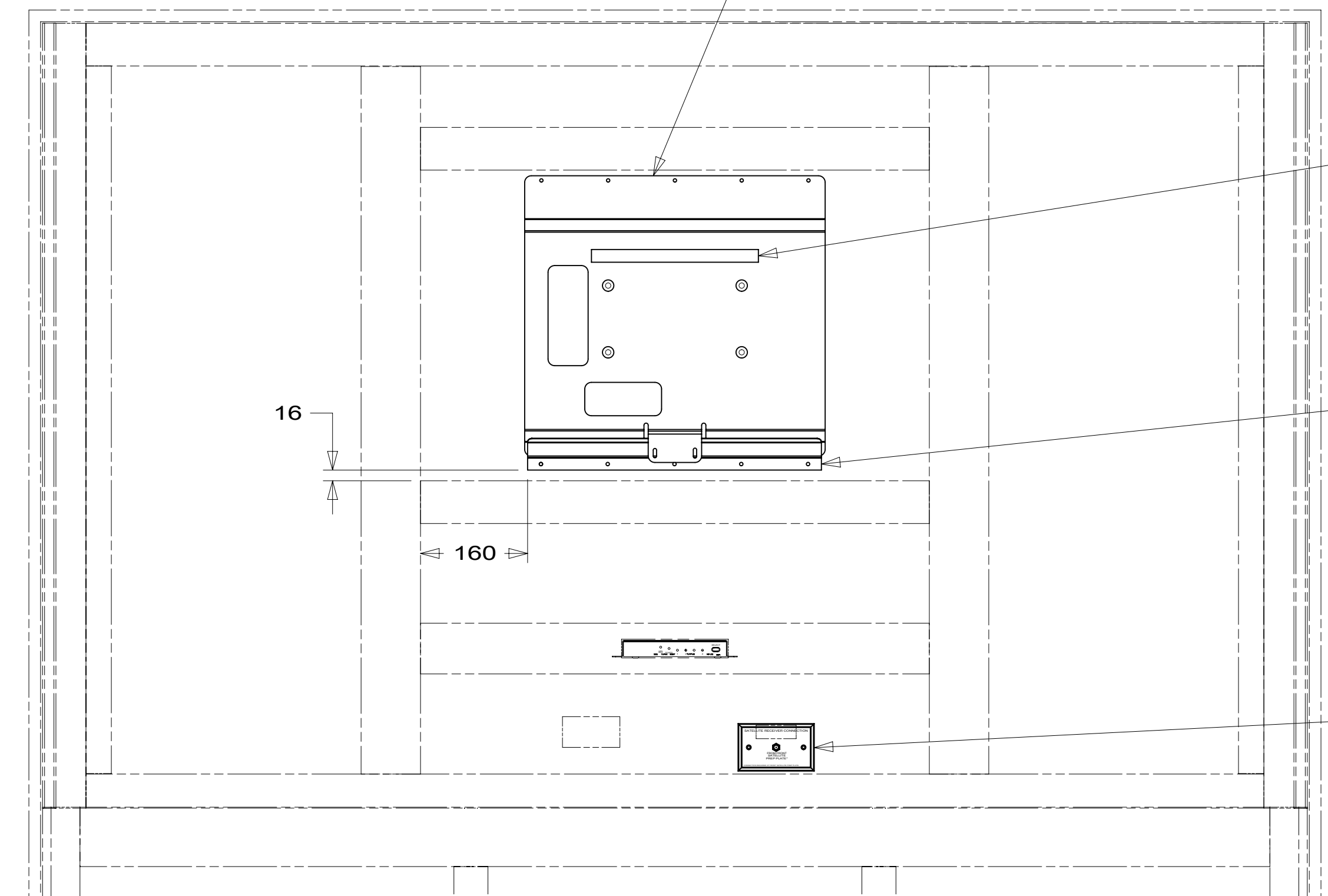
MATRIX-HDMI,
BALUN GEN 2
180504-07-000
BRACKET-MOUNTING,
RECEIVER
180543-07-CHT
SCREW
G39-10-08U (2)
TIE-WIRE
8343-03-000 (3)
RETAINER-HDMI
188374-01-CHT (3)

BRACKET-MOUNTING, TV
175053-11-CHT
SCREW
G11-08-12U (10)

TAPE-FOAM
07623-22-000
(250 MM) 1

CLIP-TRIM
130034-08-CHT

PLATE-WALL
149557-12-CHT



VIEW PA
(SHOWN WITHOUT TV)

1 PREP SURFACE WITH 87211-01-000.
NOTES:

FOR ELECTRICAL
TORQUE
SPECIFICATIONS
SEE DWG NO.
128783-01-000

X-X
FOR
ELECTRICAL
CALLOUTS
SEE DWG NO.
121339-01-000

- 195 TV(REAR)-32" COLOR STEREO
- 265 CODES/STANDARDS-CSA/CMVSS
- 1B1 CODES/STANDARDS USA

1B1	265	195
FIRST USED		
15 J-SERIES		
DO NOT SCALE DRAWING		
TITLE: WIRING INSTL-TV/DVD		
SHEET 14	PART NO 189252	REV

189252