



**DANGER**

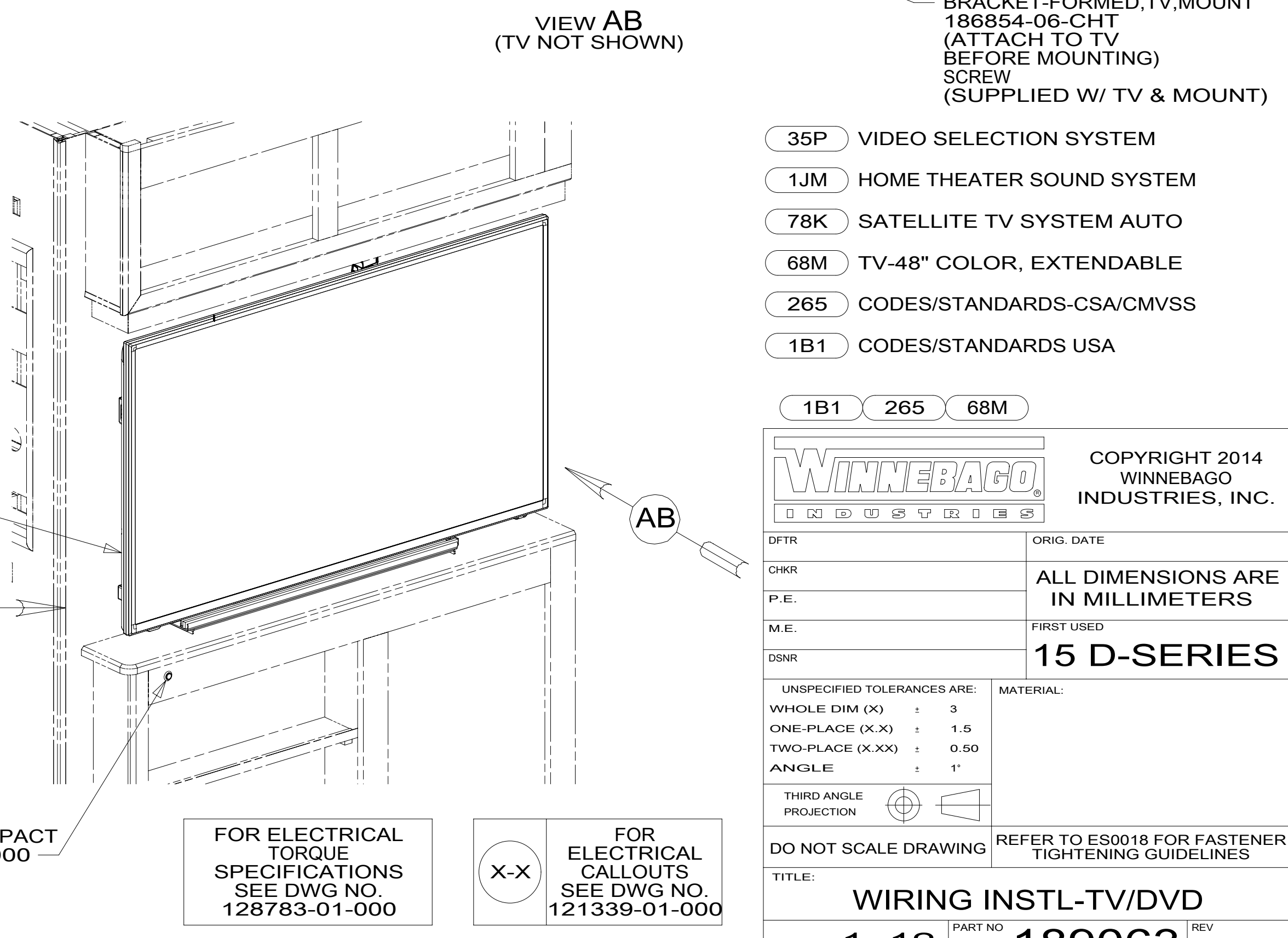
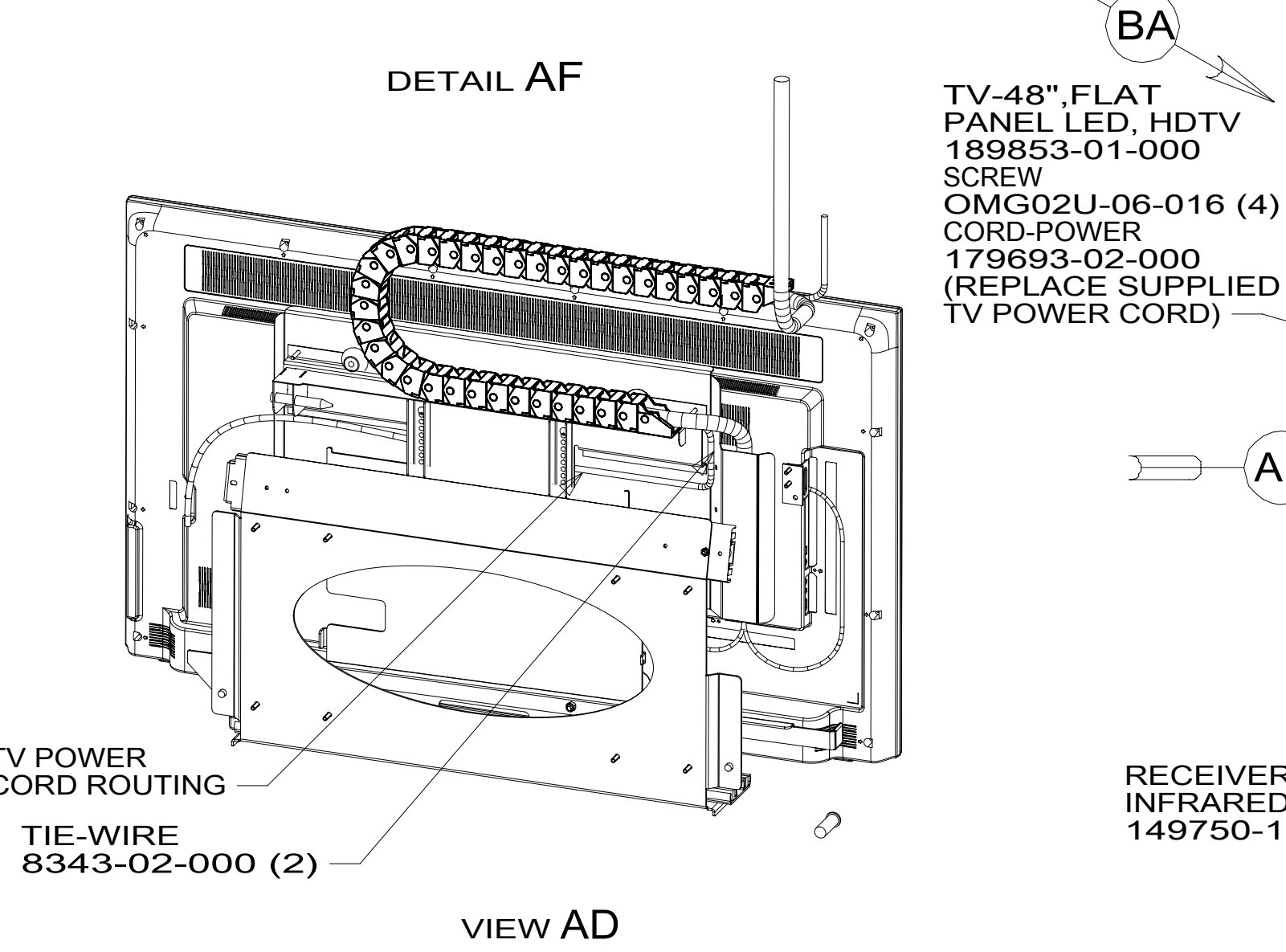
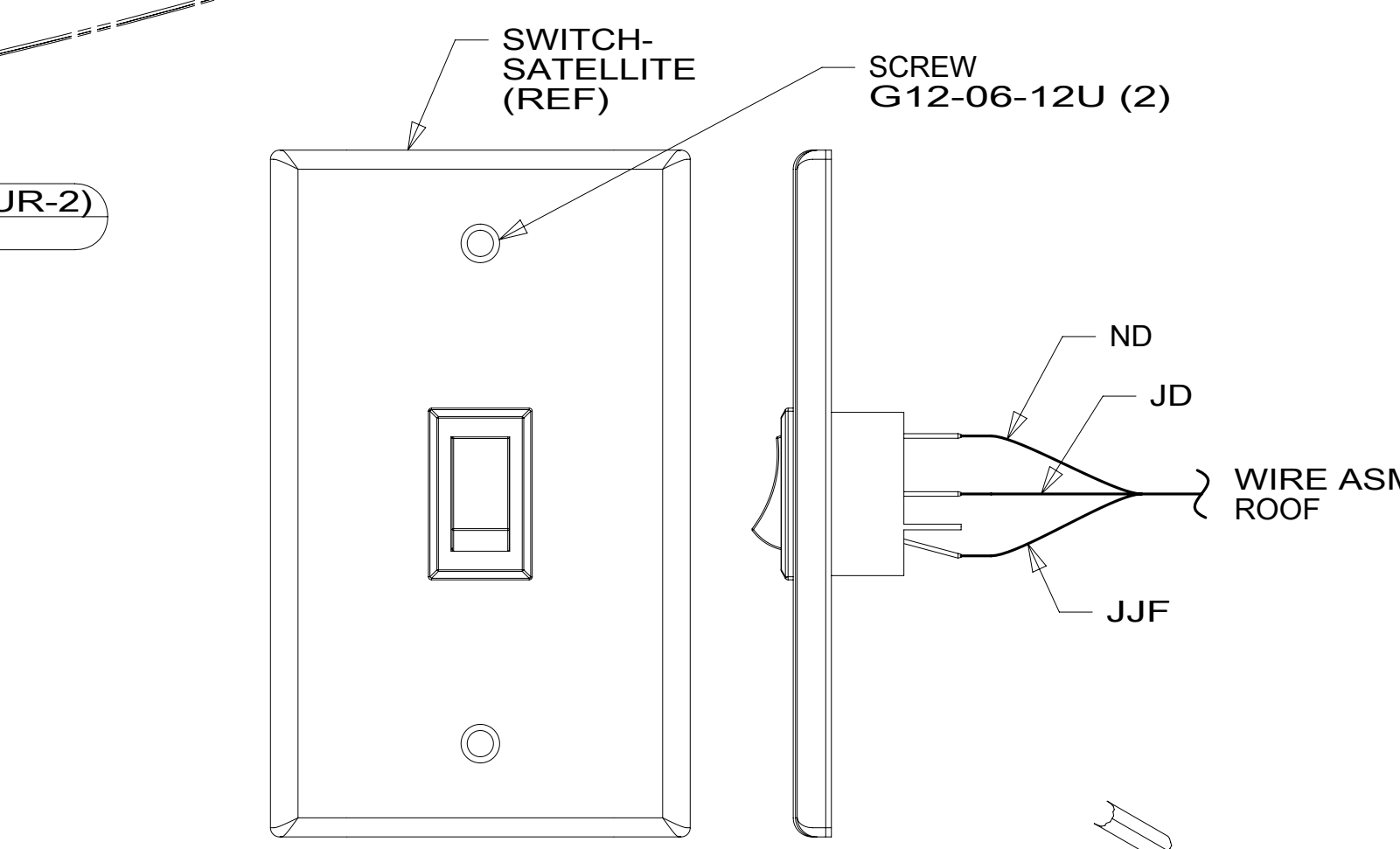
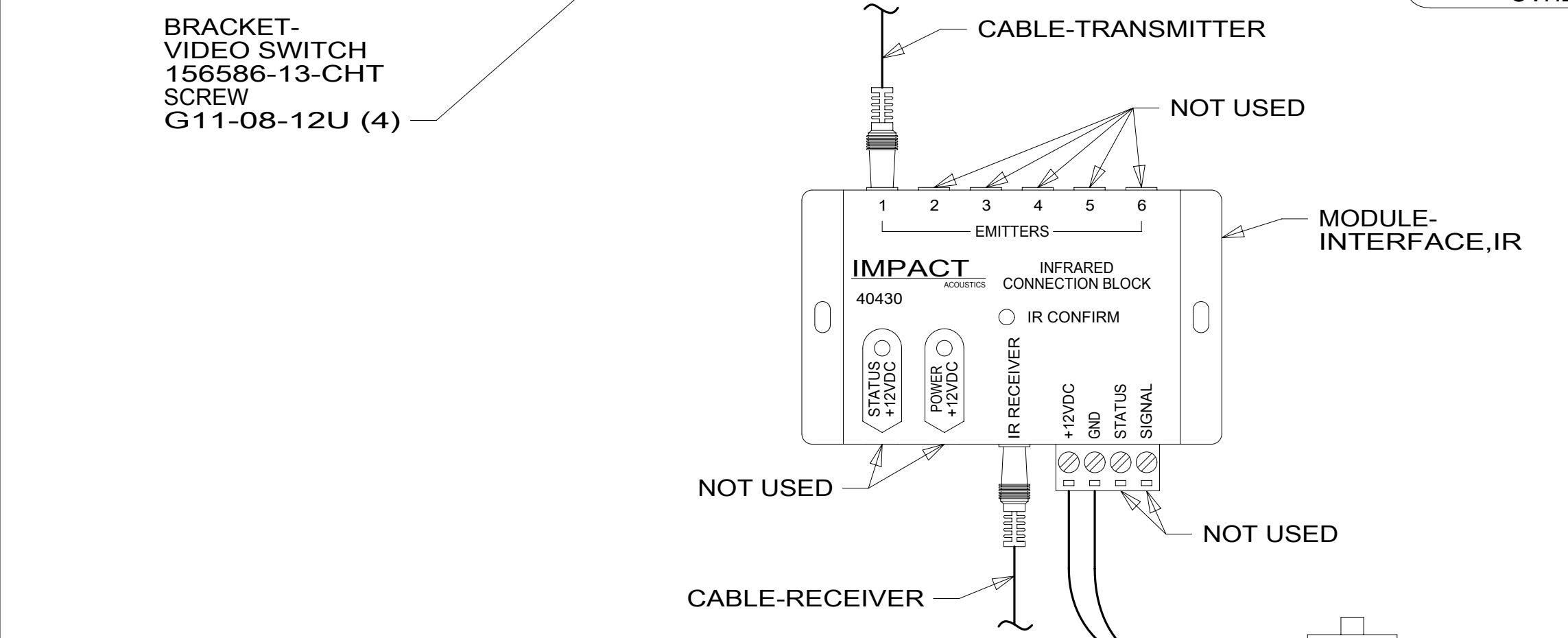
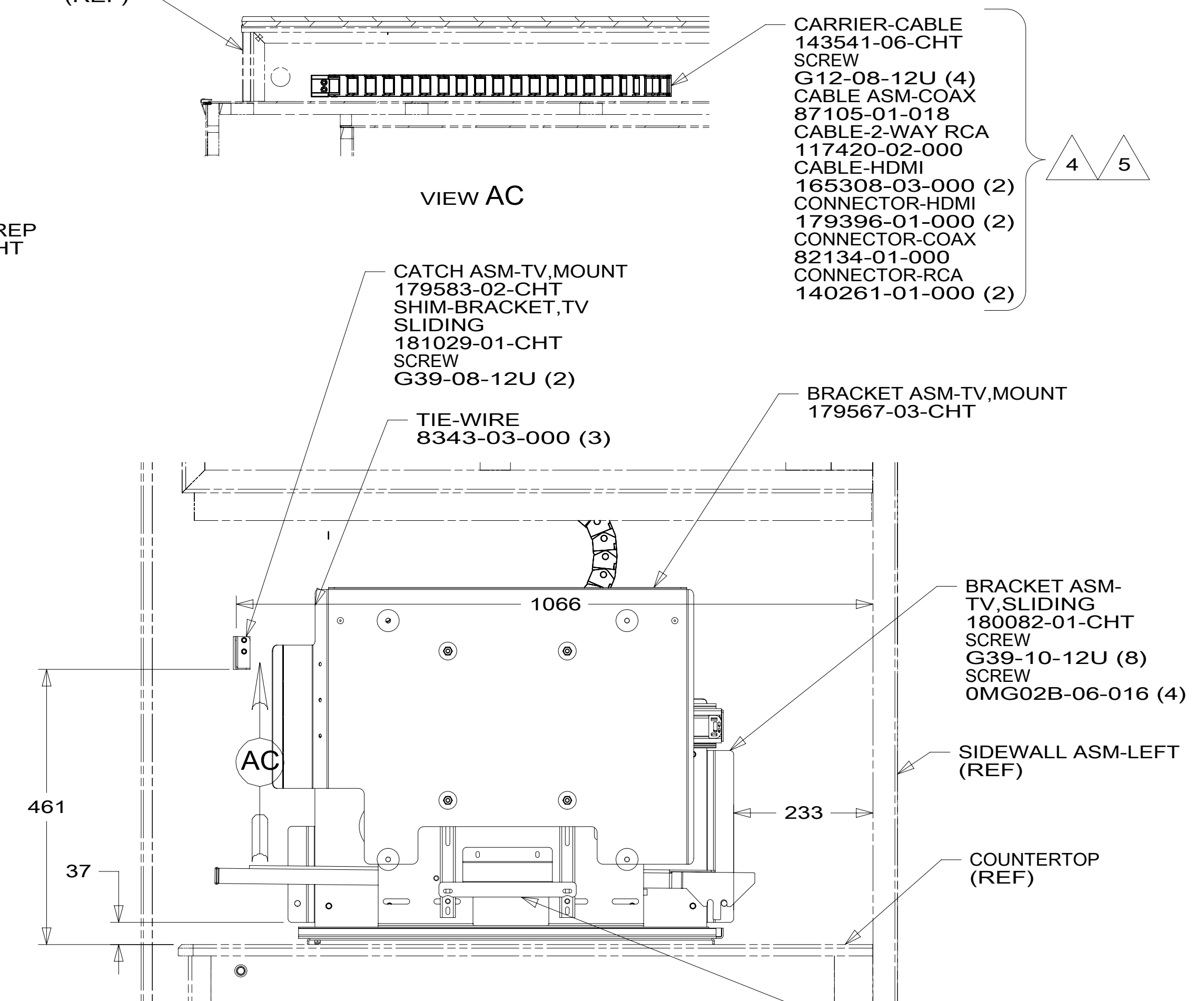
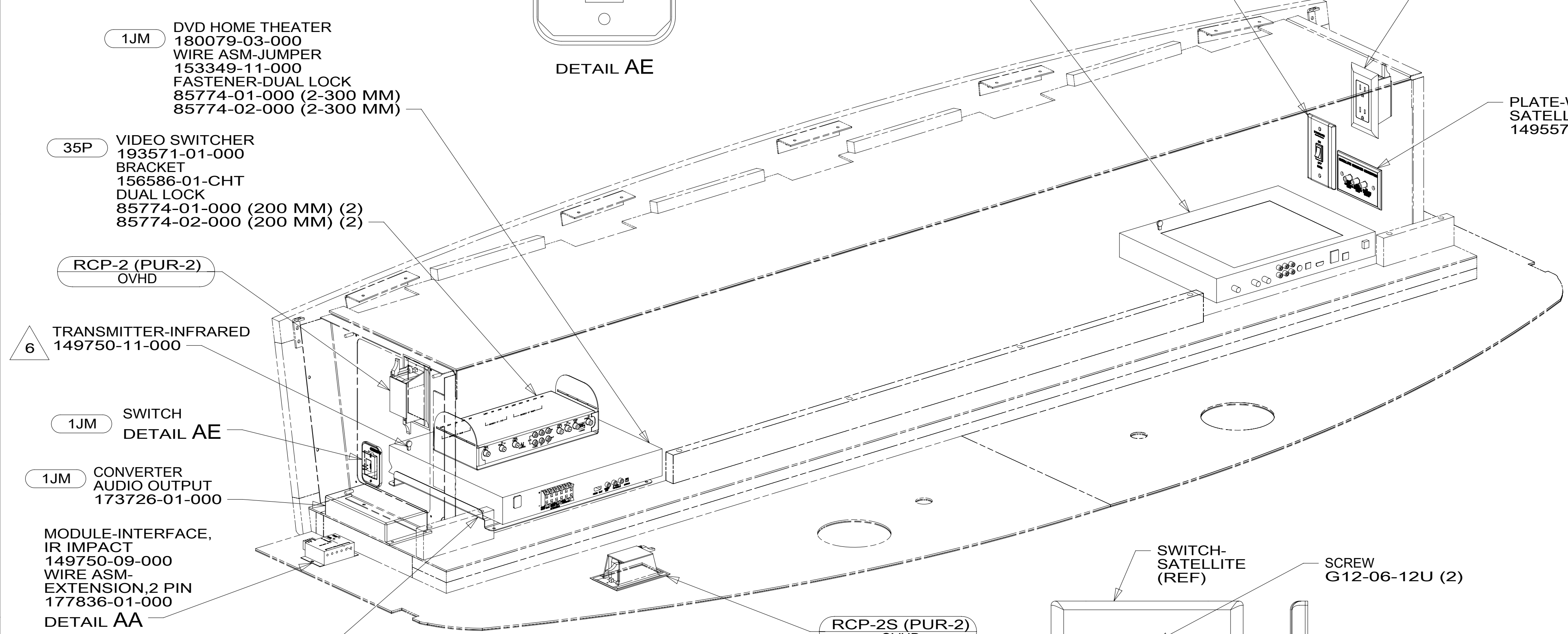
**Danger of electrical shock, burns or death.** Always remove all power sources before attempting any repair, service or diagnostic work. Power can be present from shore power, generator, inverter or battery. All power sources must be disabled and secured before performing any service.



**CAUTION**

If you lack the skills, tools or equipment to perform diagnostic or repair work leave such work to an authorized Winnebago Industries dealer or other qualified shop.

DRAWING NO.	MODEL	SHEETS
189063-01	D30A	1,2,3
189063-02	D33C	4,5,6
189063-03	D35G	7,8,9
189063-04	D36Z	10,11,12



- NOTES:
- 110V WIRE TO BE CLAMPED WITH CLAMP 10497-05-000 WITHIN 200 MM OF OUTLET BOXES. USE SCREW G67-10-12B.
  - AT MINIMUM ALL WIRES TO BE SUPPORTED AND SECURED PER CODE REQUIREMENTS. USE CLAMP 10495 OR 10497 OR WIRE TIE 8343 OR 108046 AND SCREW G67-XX-XXX OR G56-XX-XXX AS APPROPRIATE FOR INSTALLATION.
  - WHERE WIRES PASS THROUGH HOLES IN STEEL AND NOT OTHERWISE PROTECTED, USE GROMMET 92908-02-000.
  - INSTALL POWER CORD AND ALL MISC A/V CABLES IN CABLE CARRIER BEFORE INSTALLATION.
  - TAPE ALL IN-LINE CONNECTIONS TO SECURE.
  - POSITION IR EMITTER OVER IR RECEIVER ON DVD PLAYER.

FOR ELECTRICAL TORQUE SPECIFICATIONS SEE DWG NO. 128783-01-000

FOR ELECTRICAL CALLOUTS SEE DWG NO. 121339-01-000

- 35P VIDEO SELECTION SYSTEM
- 1JM HOME THEATER SOUND SYSTEM
- 78K SATELLITE TV SYSTEM AUTO
- 68M TV-48" COLOR, EXTENDABLE
- 265 CODES/STANDARDS-CSA/CMVSS
- 1B1 CODES/STANDARDS USA

1B1 265 68M

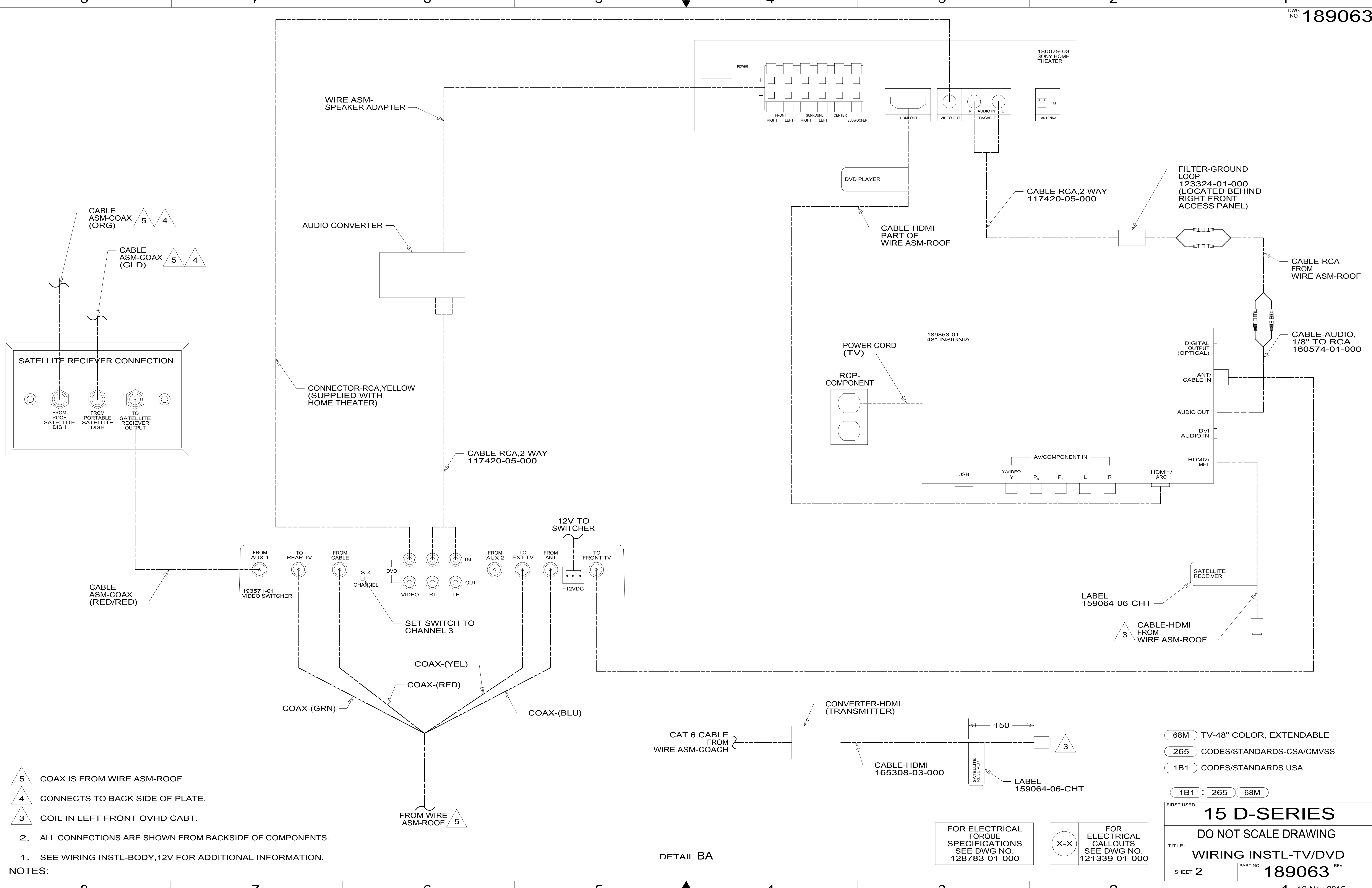
**WINNEBAGO** INDUSTRIES

COPYRIGHT 2014 WINNEBAGO INDUSTRIES, INC.

DFTR	ORIG. DATE
CHKR	ALL DIMENSIONS ARE IN MILLIMETERS
P.E.	FIRST USED
M.E.	UNSPECIFIED TOLERANCES ARE:
DSNR	MATERIAL:
	WHOLE DIM (X) : 3
	ONE-PLACE (X.X) : 1.5
	TWO-PLACE (X.XX) : 0.50
	ANGLE : 1°
	THIRD ANGLE PROJECTION
DO NOT SCALE DRAWING	REFER TO ES0018 FOR FASTENER TIGHTENING GUIDELINES
TITLE: <b>WIRING INSTL-TV/DVD</b>	
SHEET 1 OF 12	PART NO <b>189063</b> REV

REF: 1 16-Nov-2015

\*189063



- 5 COAX IS FROM WIRE ASM-ROOF.
  - 4 CONNECTS TO BACK SIDE OF PLATE.
  - 3 COIL IN LEFT FRONT OVHD CABT.
2. ALL CONNECTIONS ARE SHOWN FROM BACKSIDE OF COMPONENTS.
1. SEE WIRING INSTL-BODY, 12V FOR ADDITIONAL INFORMATION.
- NOTES:

DETAIL BA

FOR ELECTRICAL TORQUE SPECIFICATIONS SEE DWG NO. 128783-01-000

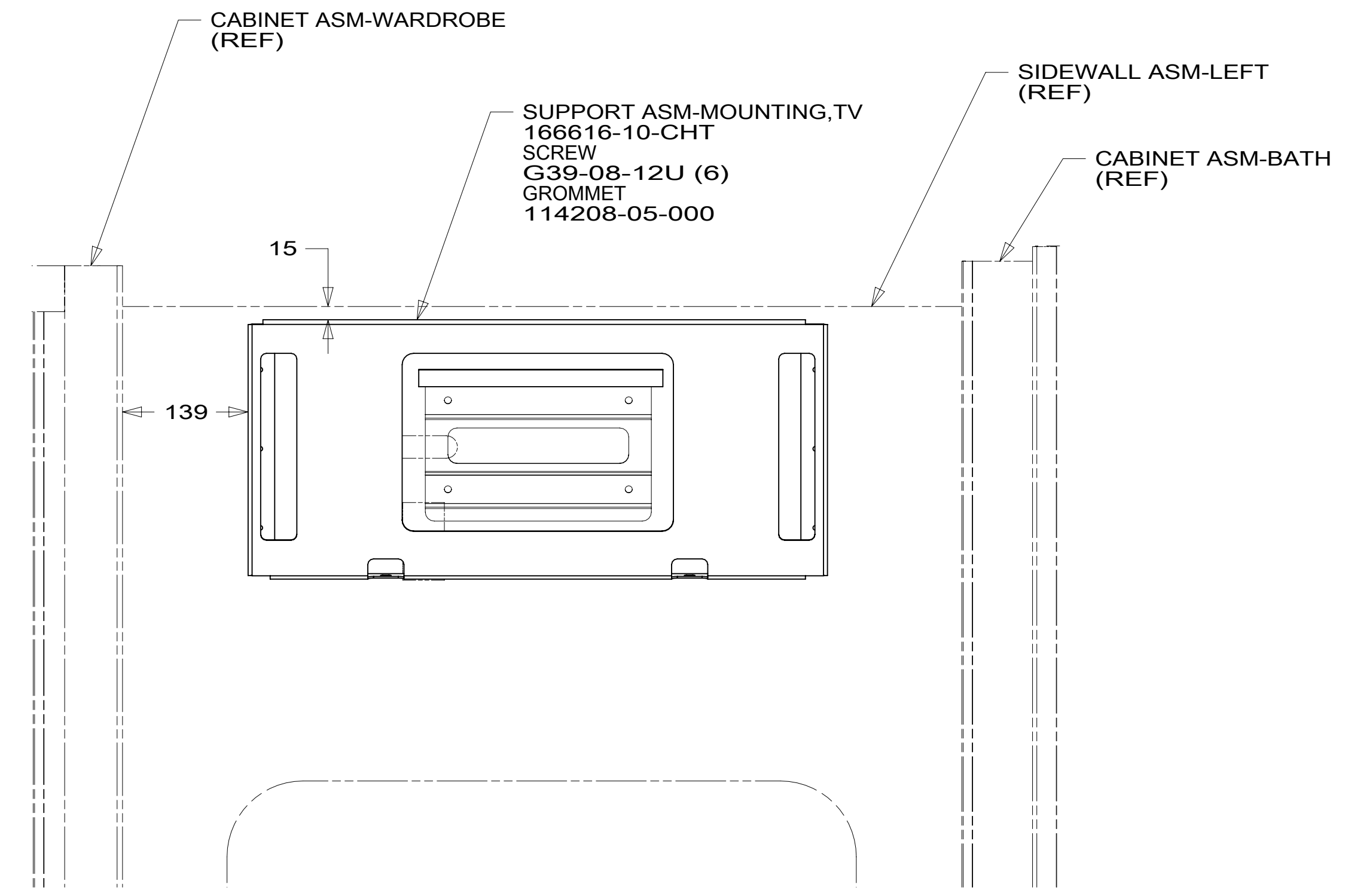
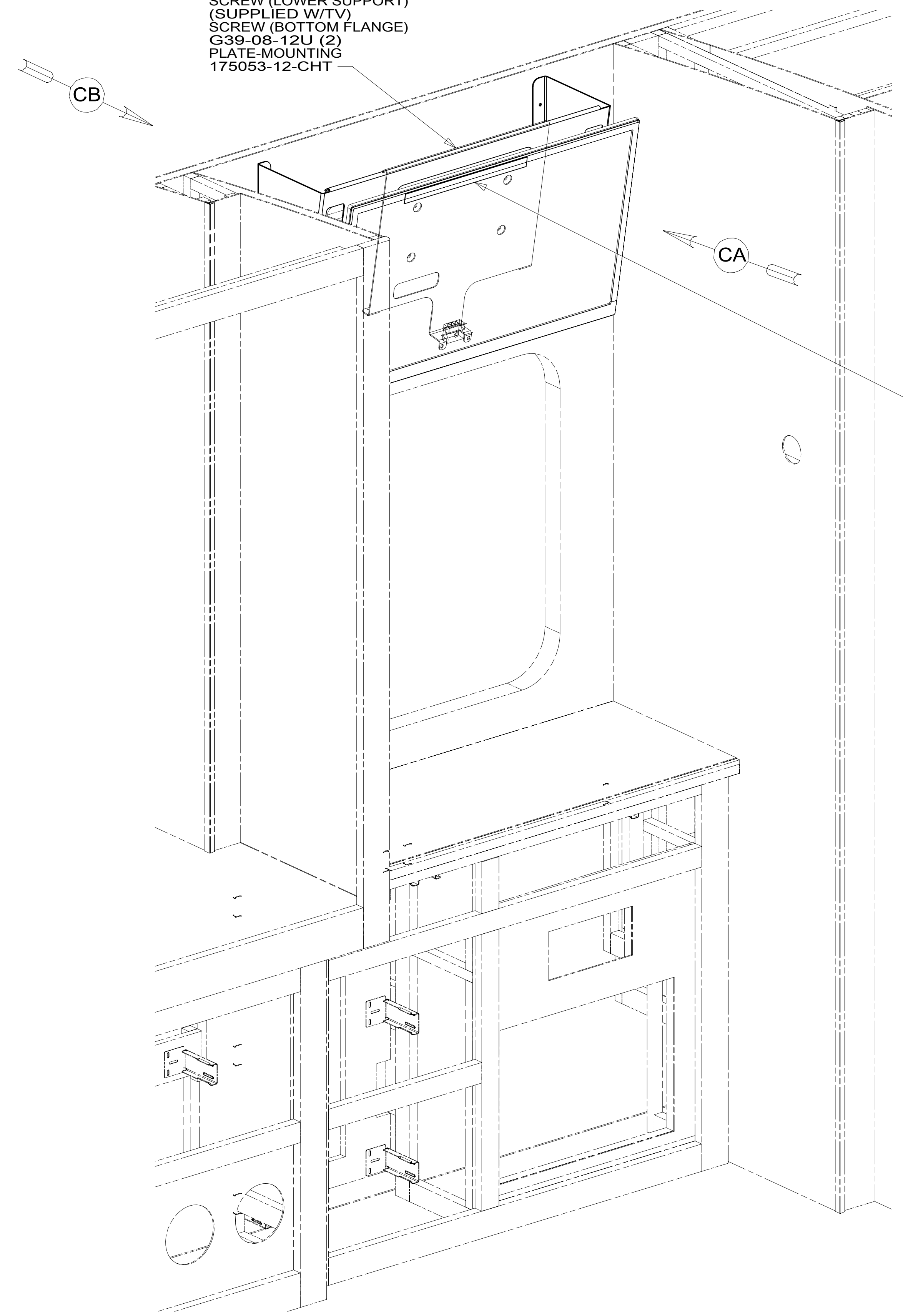
FOR ELECTRICAL CALLOUTS SEE DWG NO. 121339-01-000

- 68M TV-48" COLOR, EXTENDABLE
- 265 CODES/STANDARDS-CSA/CMVSS
- 1B1 CODES/STANDARDS USA

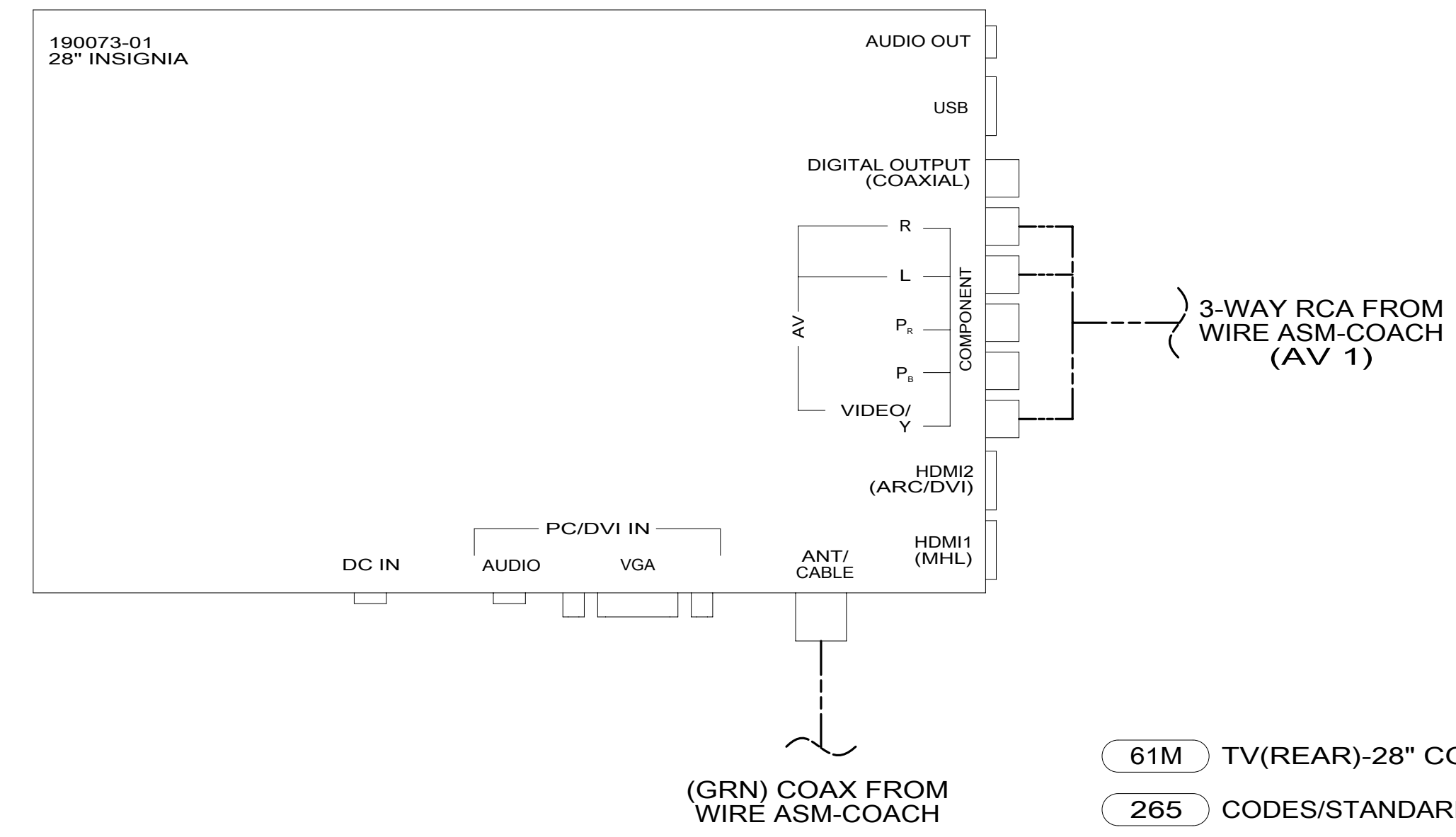
1B1	265	68M
FIRST USED		
<b>15 D-SERIES</b>		
DO NOT SCALE DRAWING		
TITLE: <b>WIRING INSTL-TV/DVD</b>		
SHEET 2	PART NO <b>189063</b>	REV
16-Nov-2015		

\*189063

- TV-28" FLAT PANEL ELED
- 190073-01-000
- PLATE-MOUNTING,TV
- 191131-02-CHT
- SCREW (VESA MOUNT)
- OMG02U-06-010 (4)
- SCREW (LOWER SUPPORT)
- (SUPPLIED W/TV)
- SCREW (BOTTOM FLANGE)
- G39-08-12U (2)
- PLATE-MOUNTING
- 175053-12-CHT



VIEW CA  
(TV NOT SHOWN)



VIEW CB

- 61M TV(REAR)-28" COLOR STEREO
- 265 CODES/STANDARDS-CSA/CMVSS
- 1B1 CODES/STANDARDS USA

1B1 265 61M

**15 D-SERIES**

DO NOT SCALE DRAWING

TITLE: **WIRING INSTL-TV/DVD**

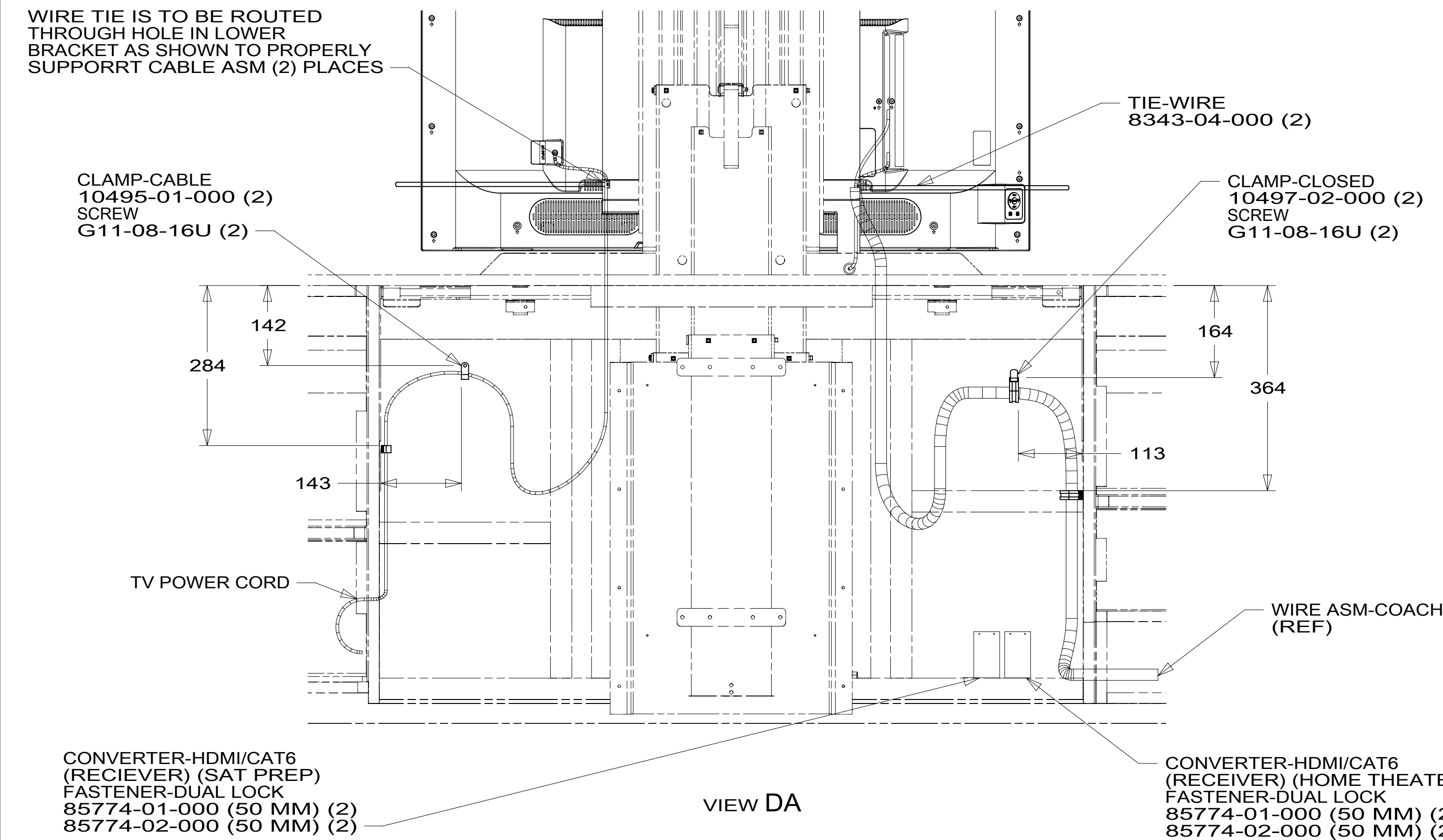
SHEET 3 PART NO. **189063** REV

1 PREP SURFACE WITH ADHESIVE PROMOTER 87211-01-000.

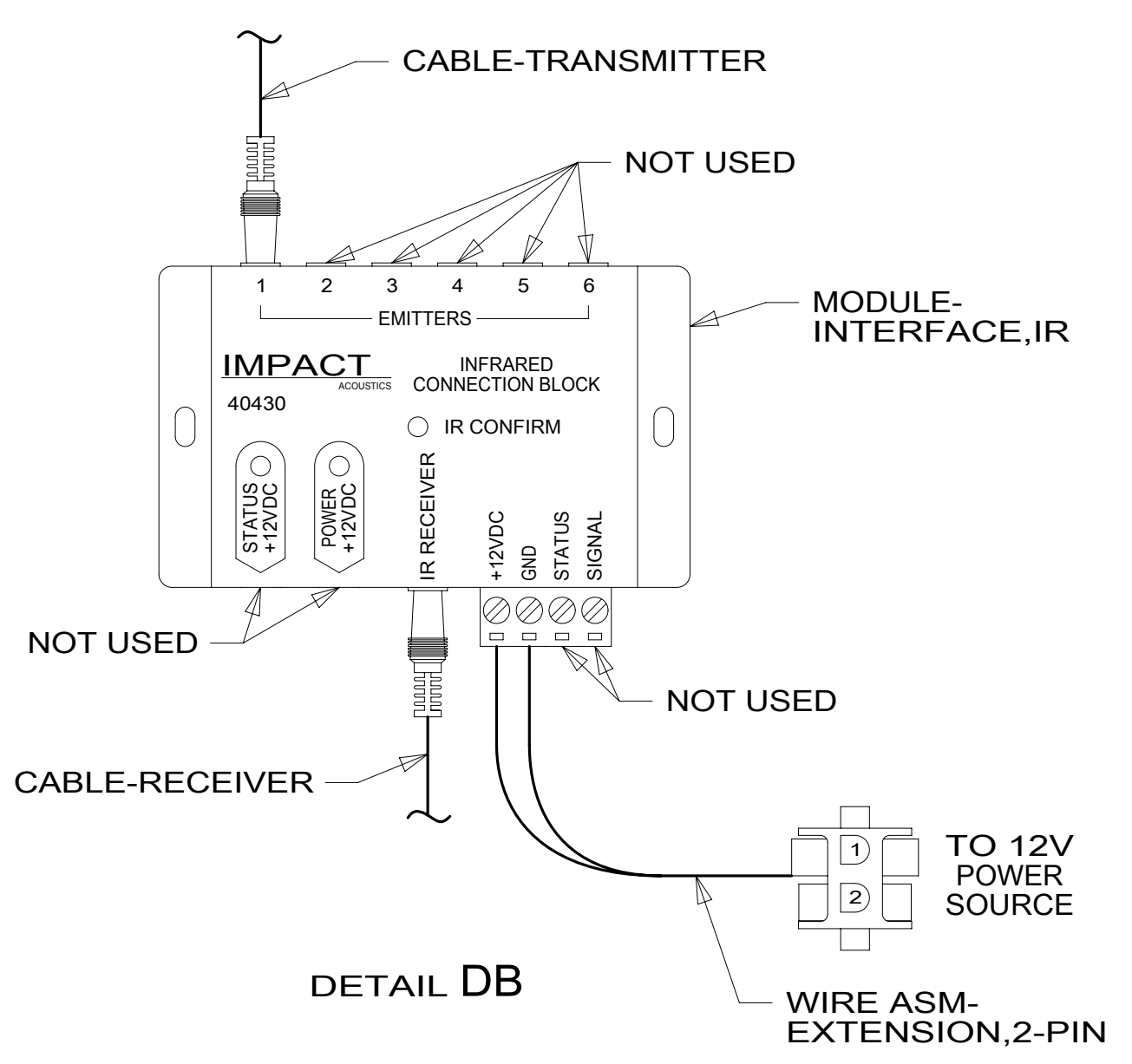
FOR ELECTRICAL TORQUE SPECIFICATIONS SEE DWG NO. 128783-01-000

X-X FOR ELECTRICAL CALLOUTS SEE DWG NO. 121339-01-000

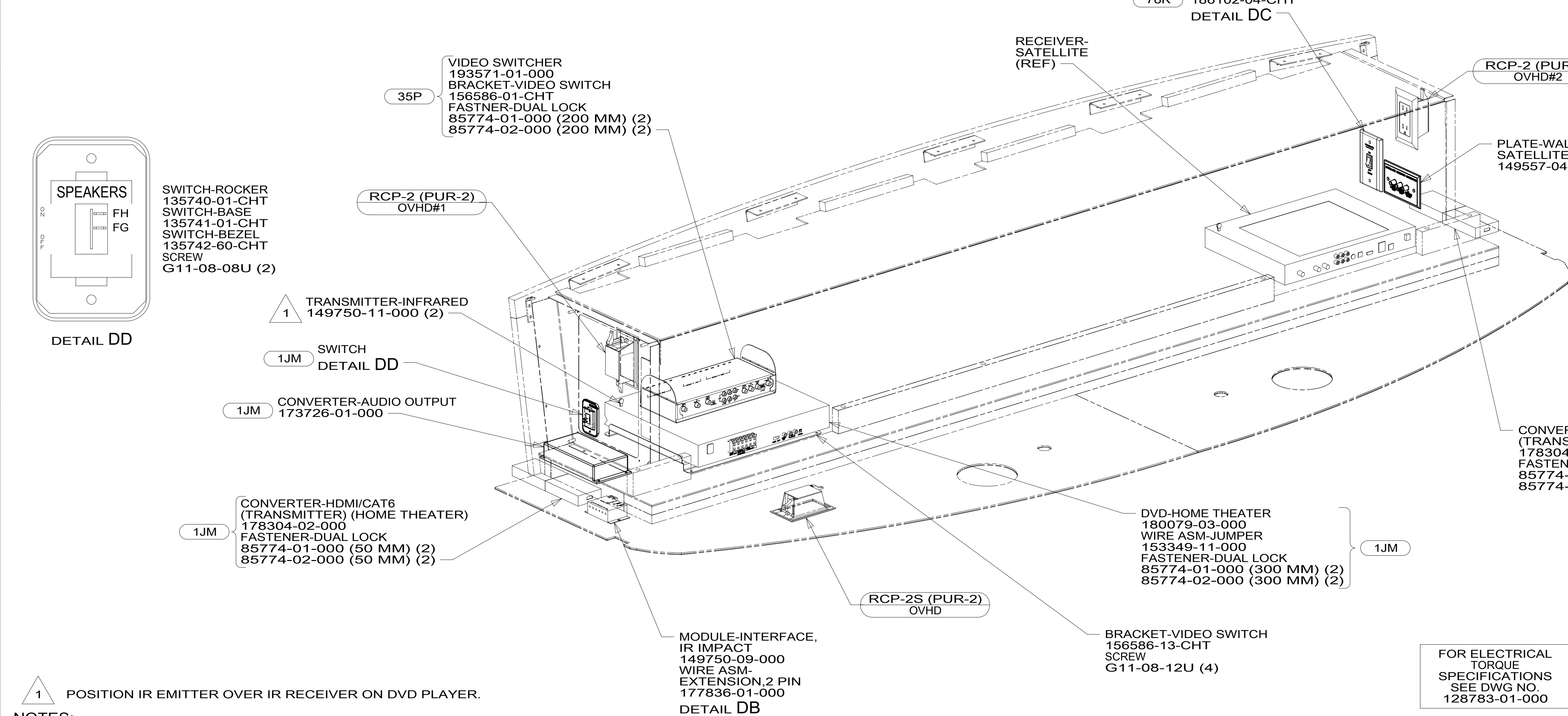
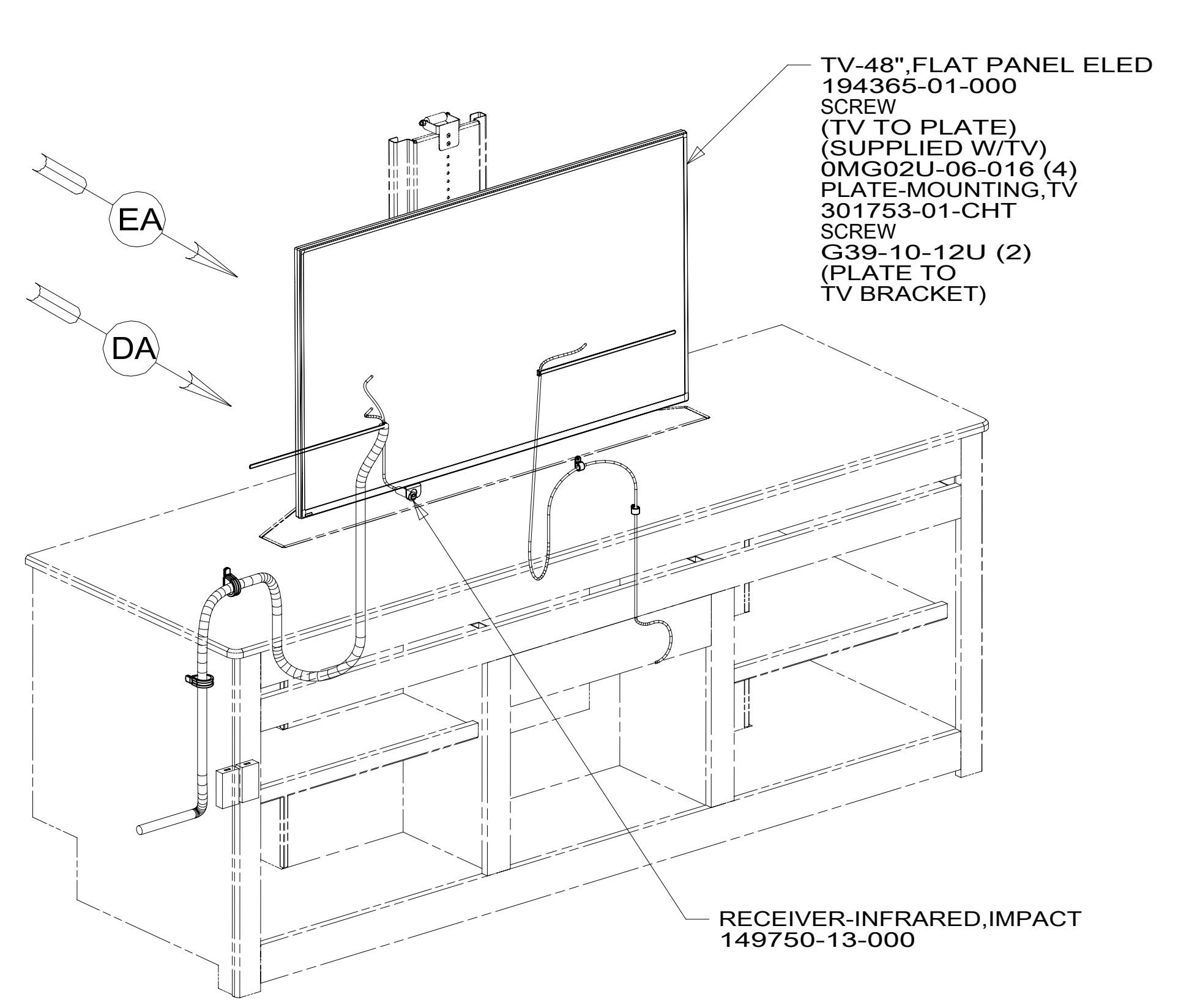
\*189063\*



VIEW DA



DETAIL DB



NOTES:  
 1 POSITION IR EMITTER OVER IR RECEIVER ON DVD PLAYER.

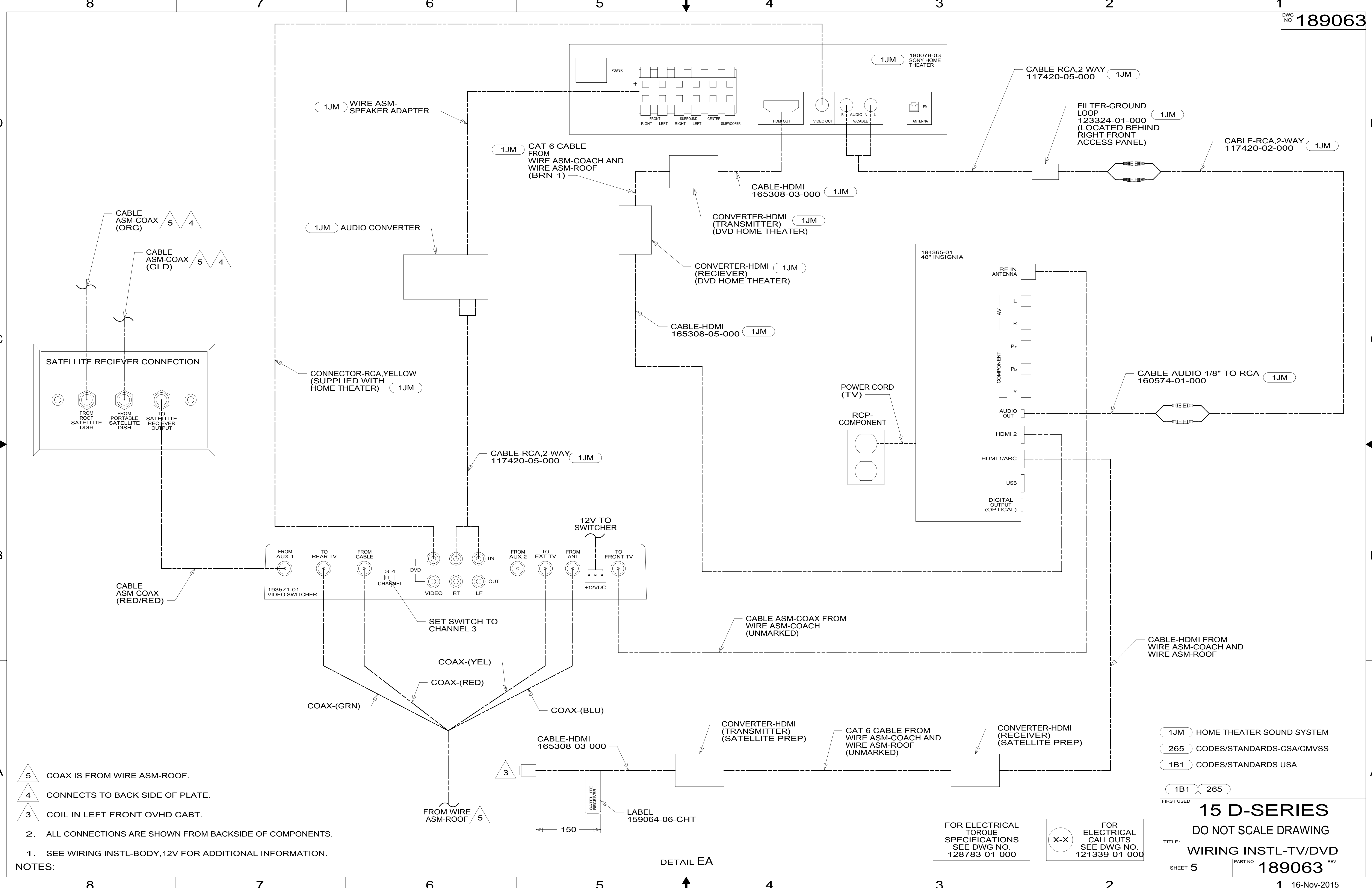
- 1JM HOME THEATER SOUND SYSTEM
- 78K SATELLITE TV SYSTEM AUTO
- 35P VIDEO SELECTION SYSTEM
- 265 CODES/STANDARDS-CSA/CMVSS
- 1B1 CODES/STANDARDS USA

1B1	265
<b>FIRST USED</b>	
<b>15 D-SERIES</b>	
<b>DO NOT SCALE DRAWING</b>	
TITLE: <b>WIRING INSTL-TV/DVD</b>	
SHEET 4	PART NO <b>189063</b> REV

FOR ELECTRICAL TORQUE SPECIFICATIONS SEE DWG NO. 128783-01-000

FOR ELECTRICAL CALLOUTS SEE DWG NO. 121339-01-000

\*189063



- 5 COAX IS FROM WIRE ASM-ROOF.
- 4 CONNECTS TO BACK SIDE OF PLATE.
- 3 COIL IN LEFT FRONT OVHD CABT.

2. ALL CONNECTIONS ARE SHOWN FROM BACKSIDE OF COMPONENTS.  
 1. SEE WIRING INSTL-BODY, 12V FOR ADDITIONAL INFORMATION.  
 NOTES:

- 1JM HOME THEATER SOUND SYSTEM
- 265 CODES/STANDARDS-CSA/CMVSS
- 1B1 CODES/STANDARDS USA

FIRST USED

### 15 D-SERIES

DO NOT SCALE DRAWING

TITLE: **WIRING INSTL-TV/DVD**

SHEET 5 PART NO **189063** REV

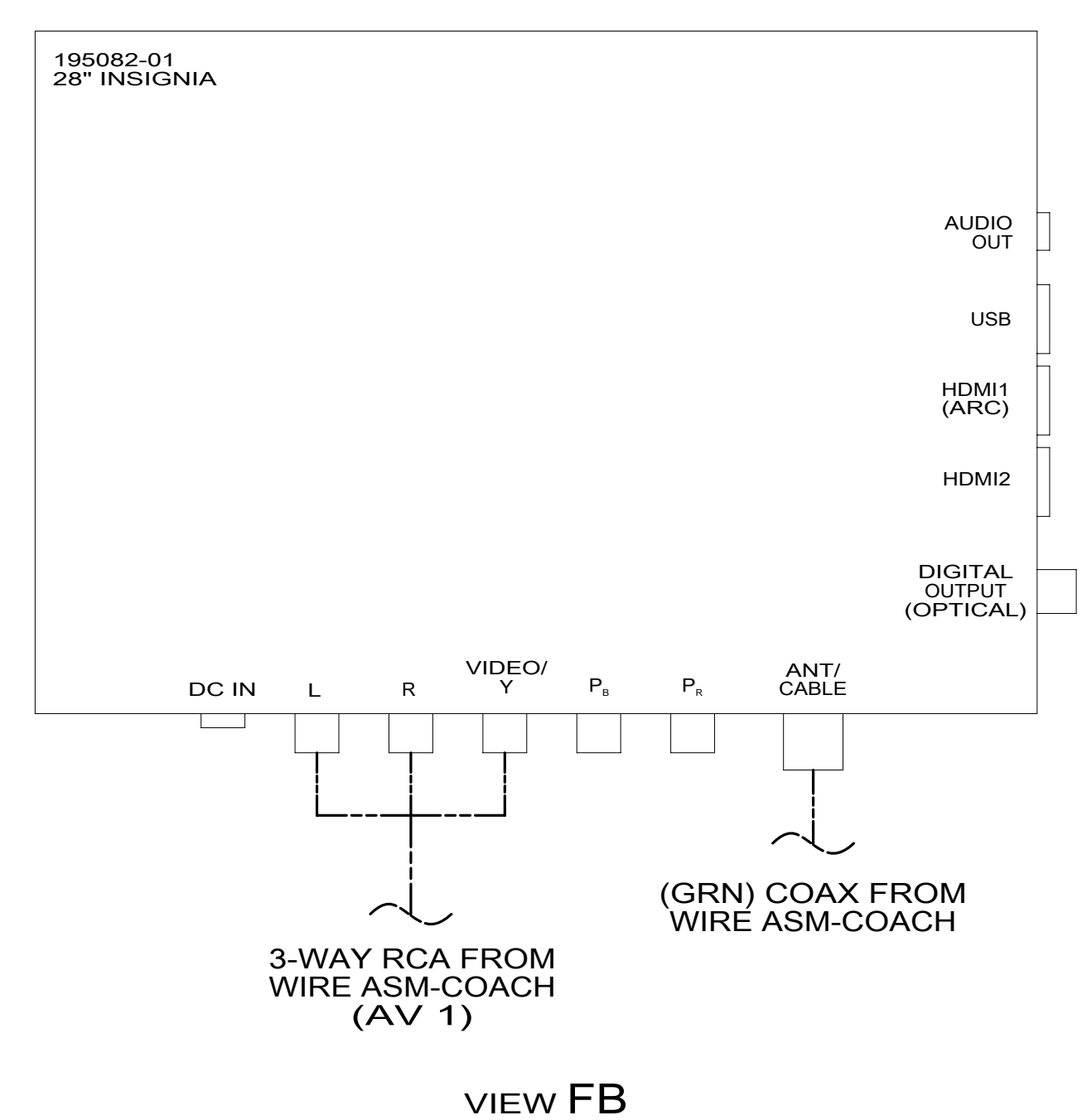
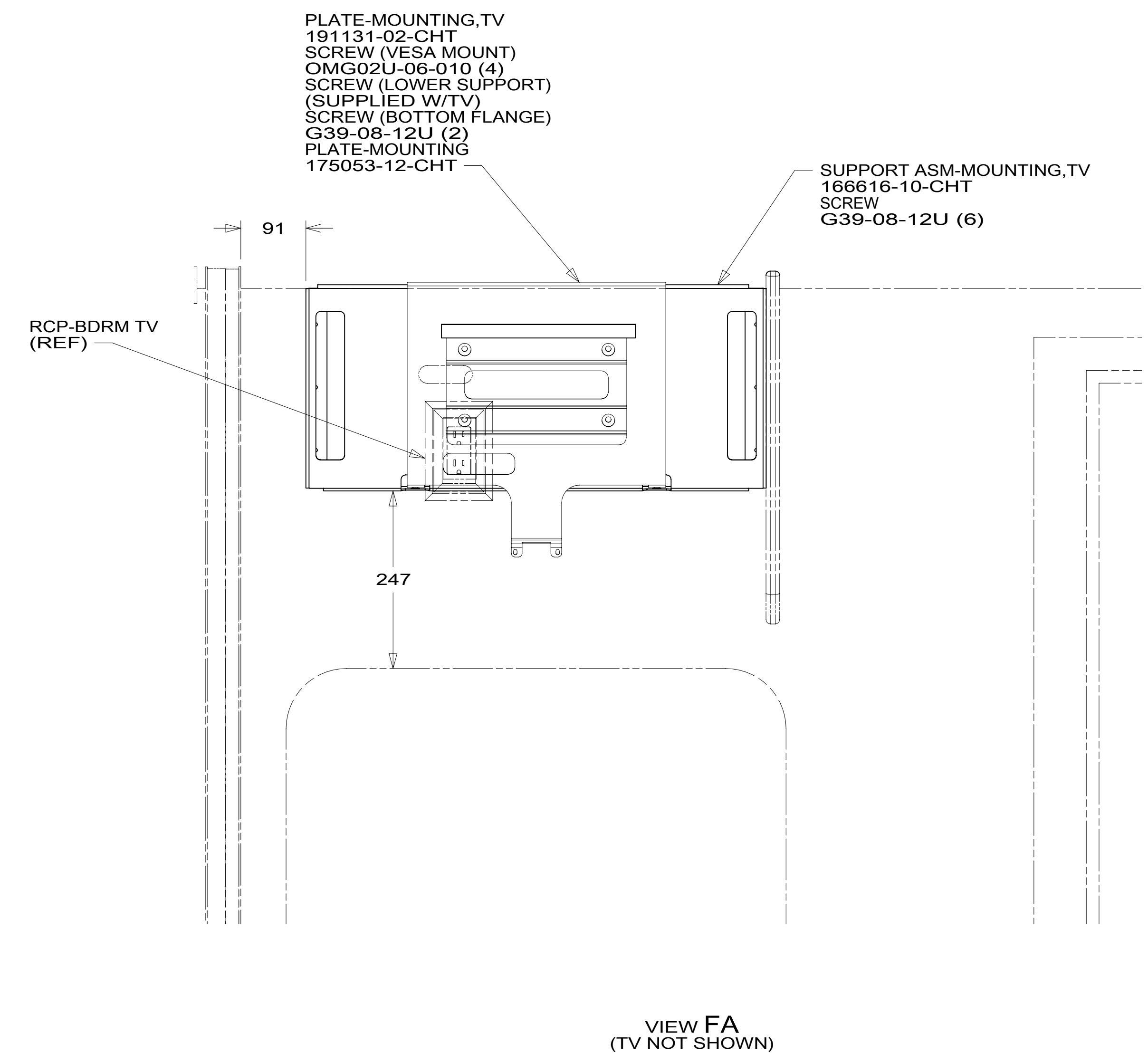
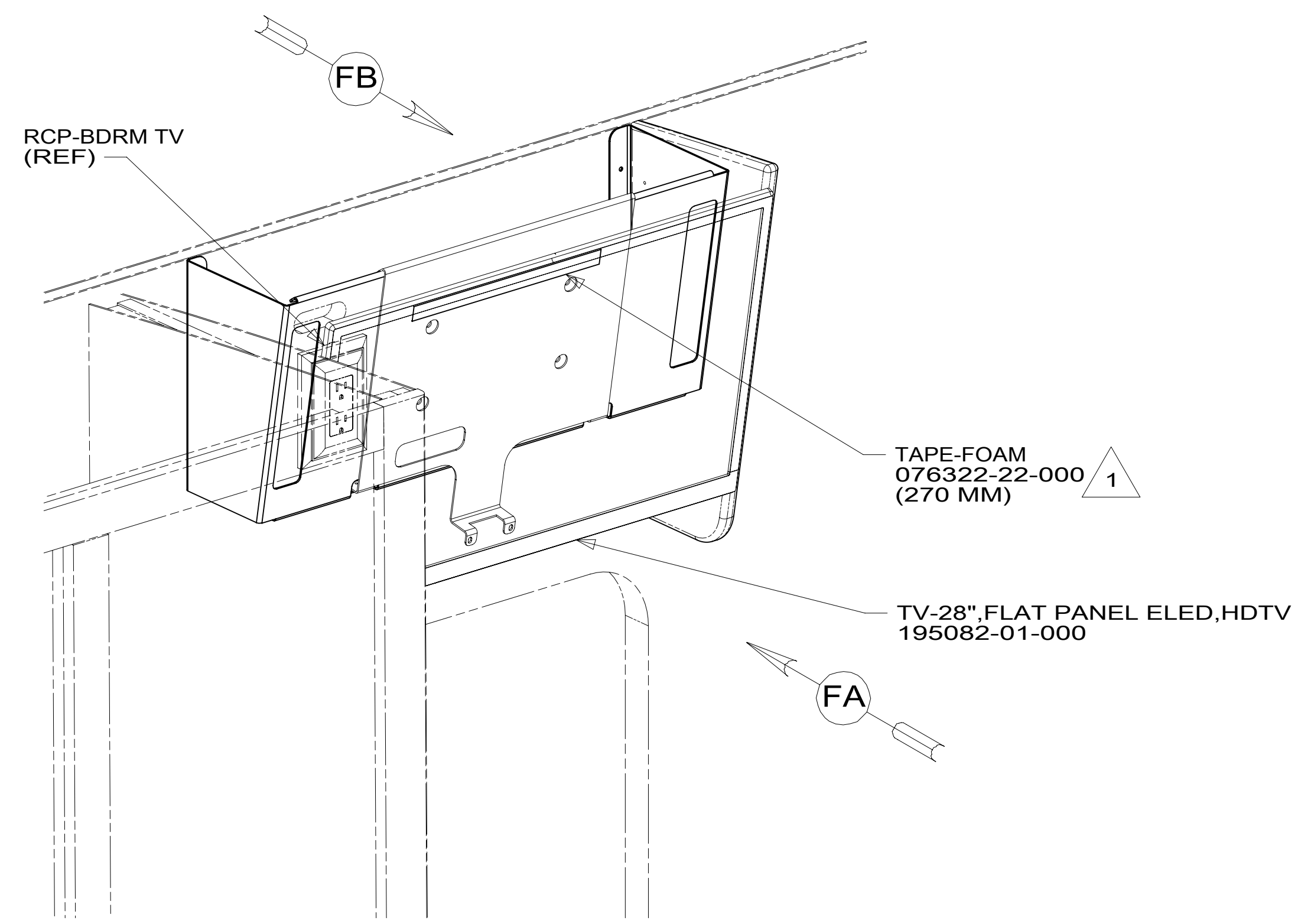
16-Nov-2015

FOR ELECTRICAL TORQUE SPECIFICATIONS SEE DWG NO. 128783-01-000

FOR ELECTRICAL CALLOUTS SEE DWG NO. 121339-01-000

DETAIL EA

\* 189063 A \*



1 PREP SURFACE WITH ADHESIVE PROMOTER 87211-01-000.

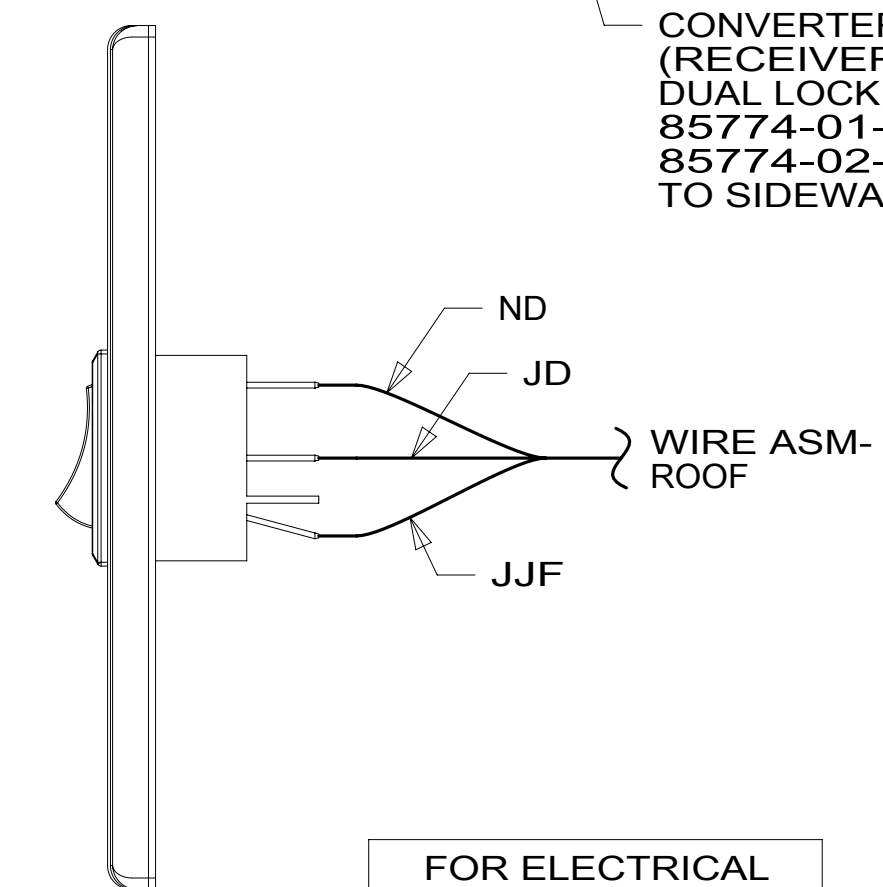
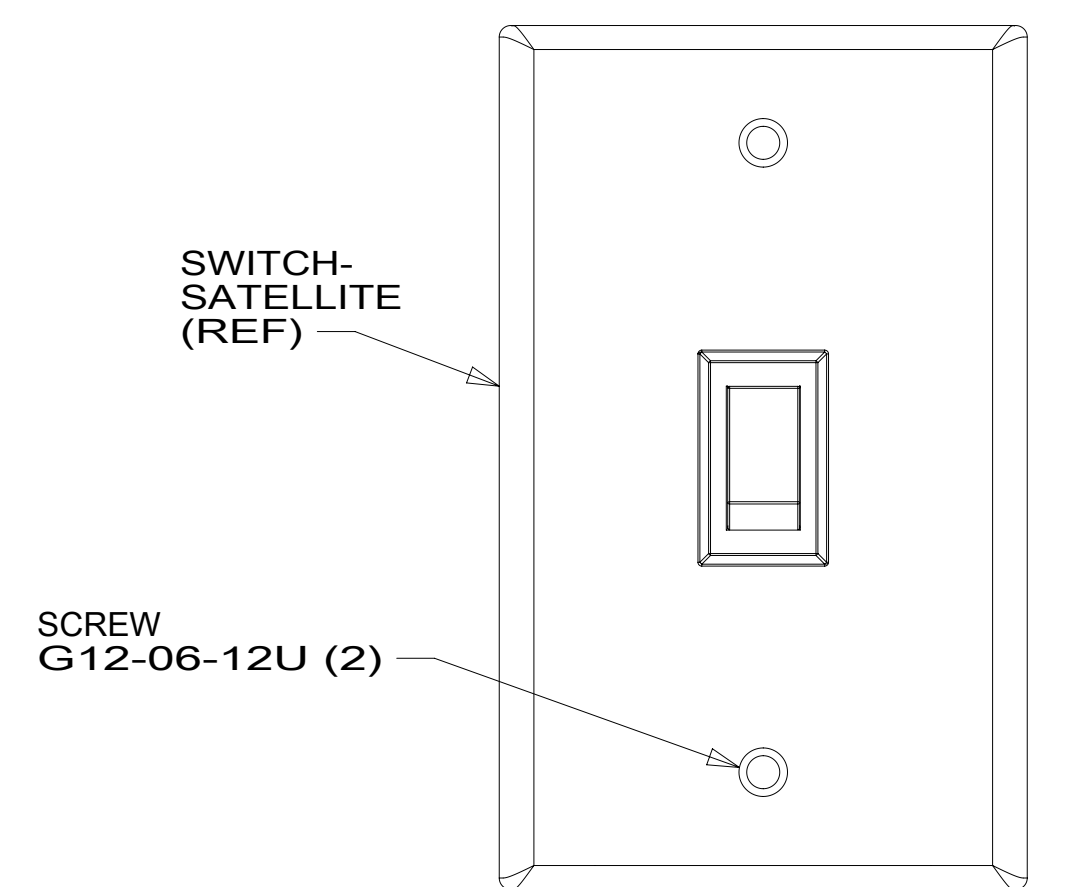
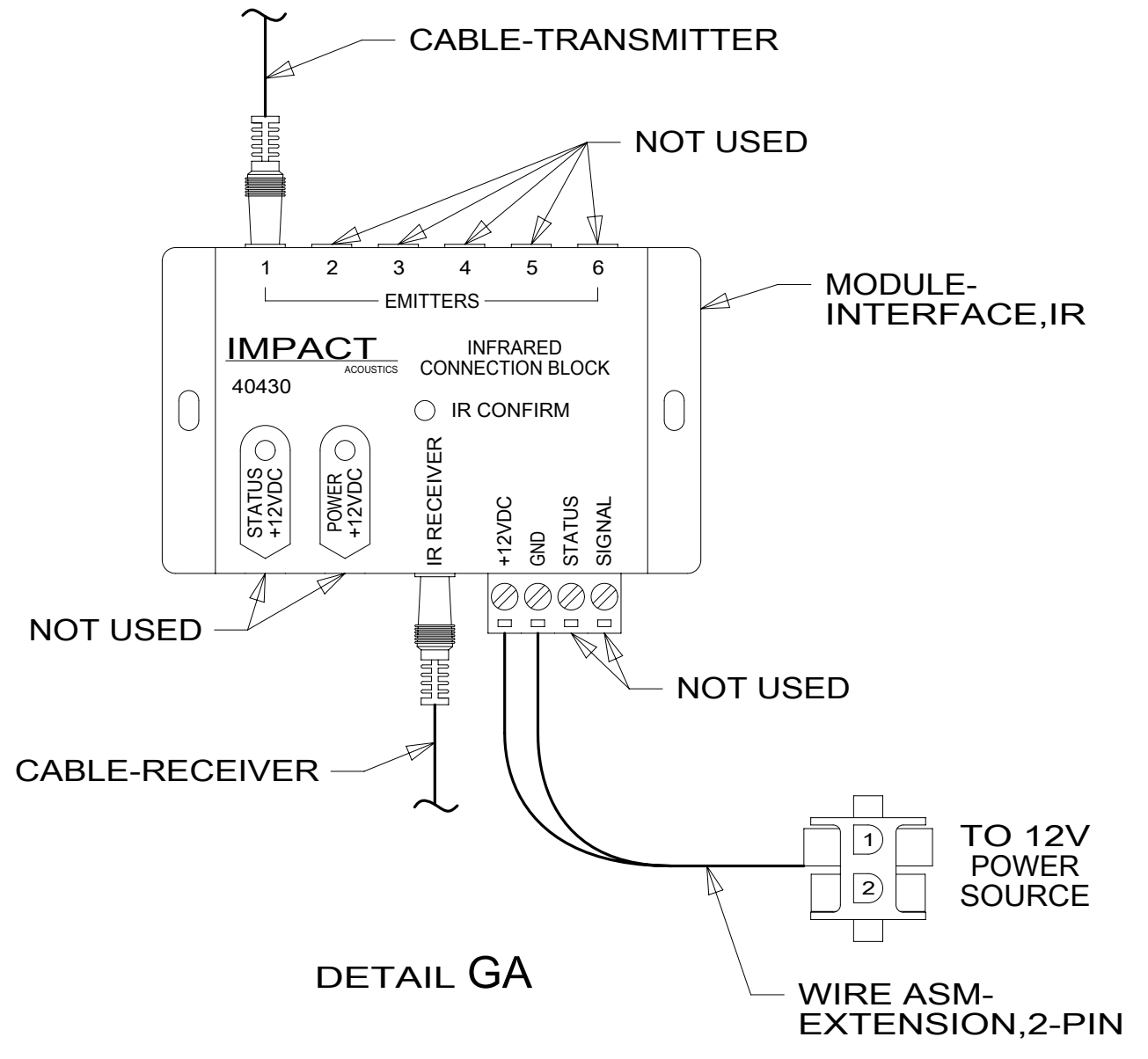
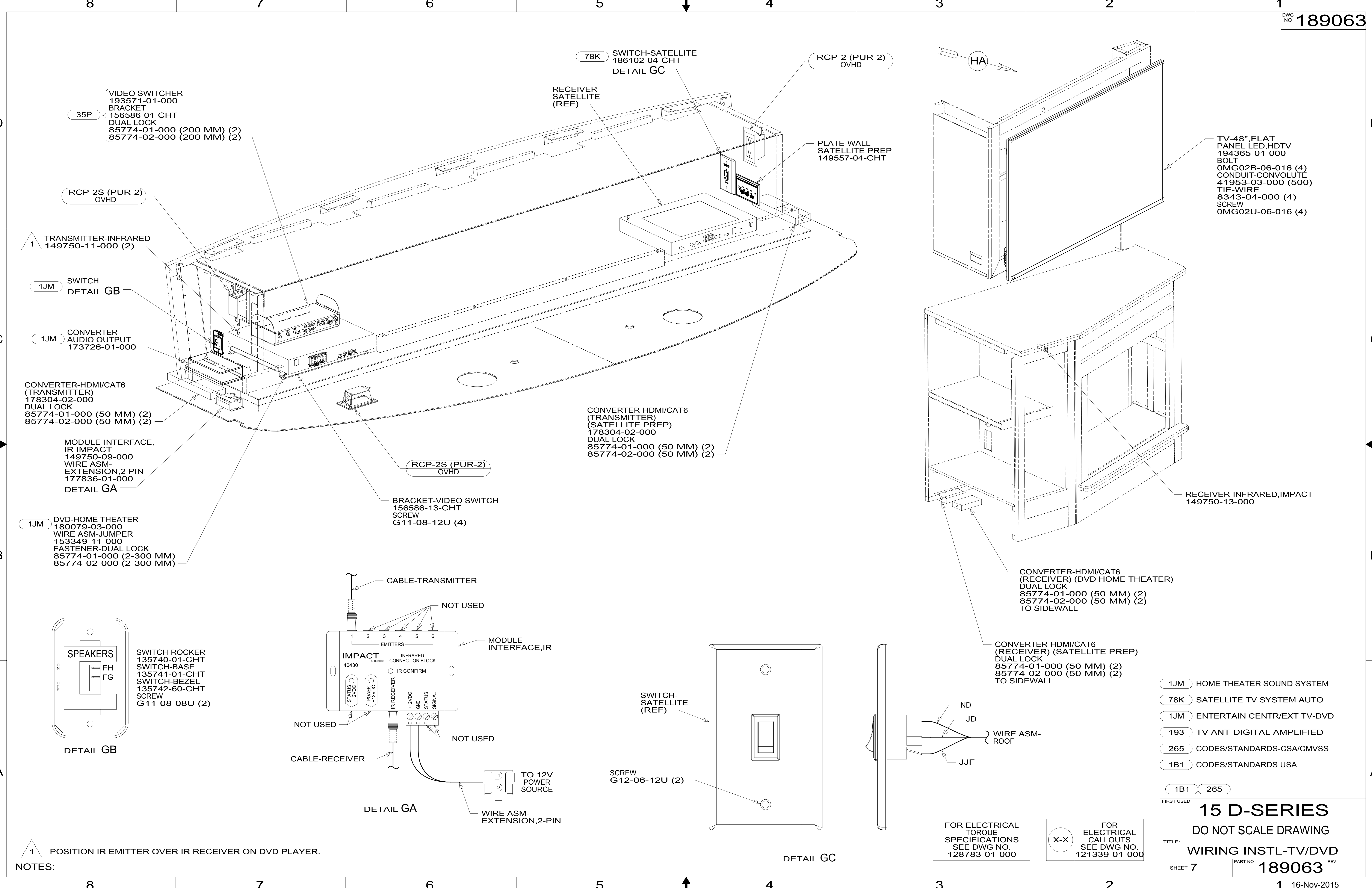
FOR ELECTRICAL TORQUE SPECIFICATIONS SEE DWG NO. 128783-01-000

FOR ELECTRICAL CALLOUTS SEE DWG NO. 121339-01-000

- 61M TV(REAR)-28" COLOR STEREO
- 265 CODES/STANDARDS-CSA/CMVSS
- 1B1 CODES/STANDARDS USA

1B1	265	61M
FIRST USED		
<b>15 D-SERIES</b>		
DO NOT SCALE DRAWING		
TITLE: <b>WIRING INSTL-TV/DVD</b>		
SHEET 6	PART NO <b>189063</b>	REV

\*189063 A\*

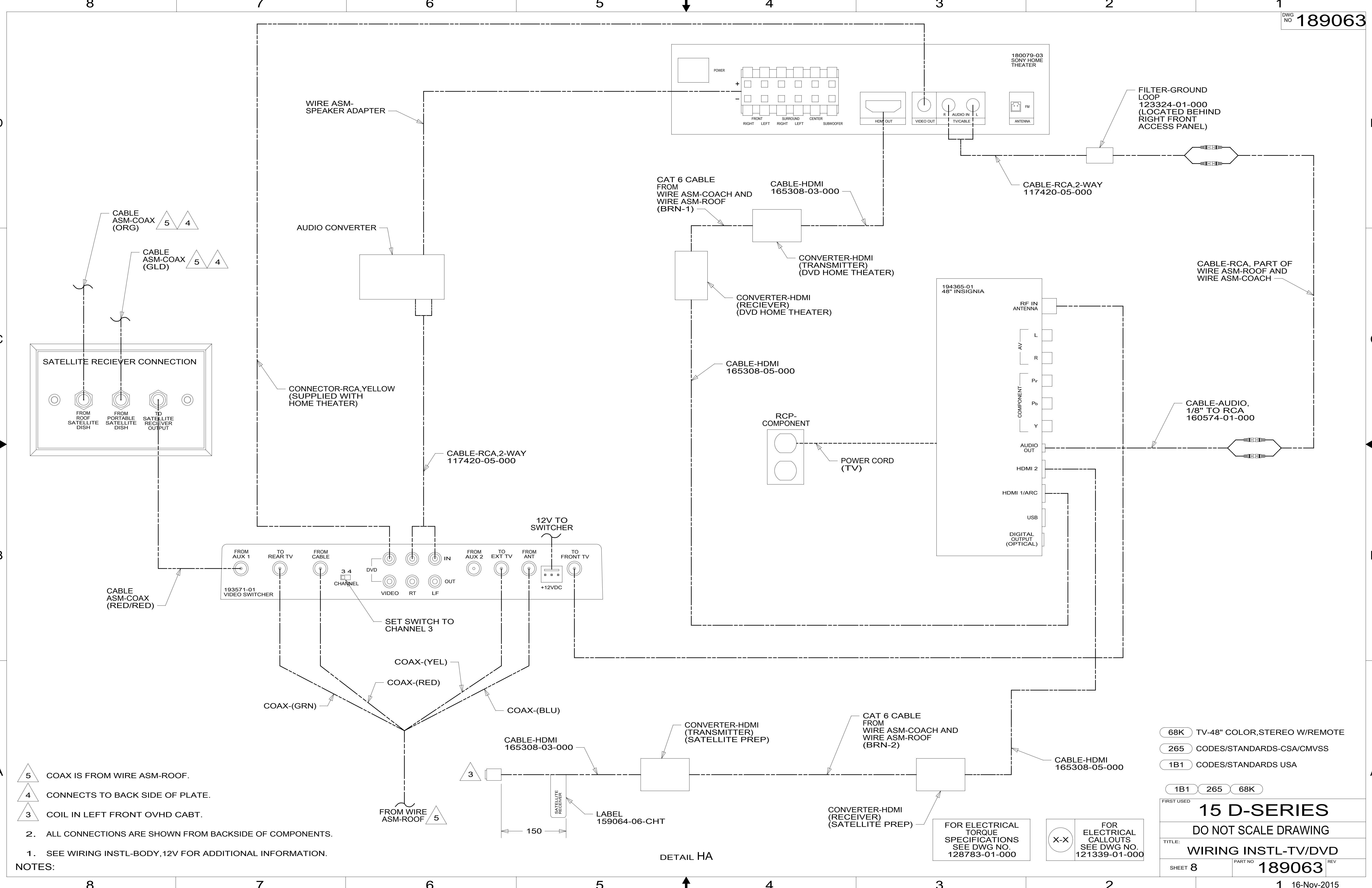


- 1JM HOME THEATER SOUND SYSTEM
- 78K SATELLITE TV SYSTEM AUTO
- 1JM ENTERTAIN CENTR/EXT TV-DVD
- 193 TV ANT-DIGITAL AMPLIFIED
- 265 CODES/STANDARDS-CSA/CMVSS
- 1B1 CODES/STANDARDS USA

FIRST USED	
<b>15 D-SERIES</b>	
DO NOT SCALE DRAWING	
TITLE: <b>WIRING INSTL-TV/DVD</b>	
SHEET 7	PART NO <b>189063</b> REV
16-Nov-2015	

\*189063\*





- 5 COAX IS FROM WIRE ASM-ROOF.
  - 4 CONNECTS TO BACK SIDE OF PLATE.
  - 3 COIL IN LEFT FRONT OVHD CABT.
2. ALL CONNECTIONS ARE SHOWN FROM BACKSIDE OF COMPONENTS.
1. SEE WIRING INSTL-BODY, 12V FOR ADDITIONAL INFORMATION.
- NOTES:

- 68K TV-48" COLOR, STEREO W/REMOTE
- 265 CODES/STANDARDS-CSA/CMVSS
- 1B1 CODES/STANDARDS USA

1B1 265 68K

FIRST USED

### 15 D-SERIES

DO NOT SCALE DRAWING

TITLE: **WIRING INSTL-TV/DVD**

SHEET 8 PART NO **189063** REV

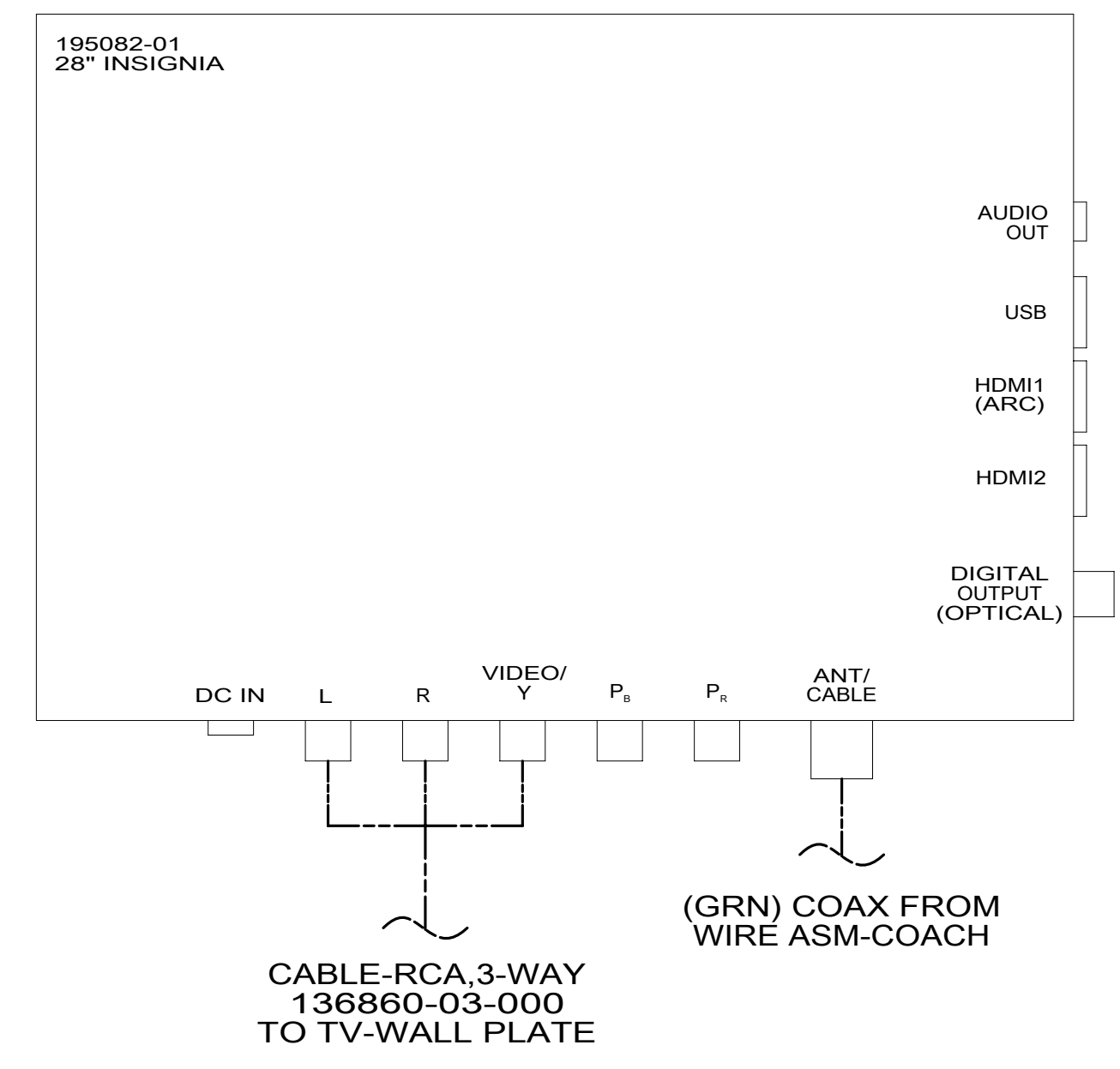
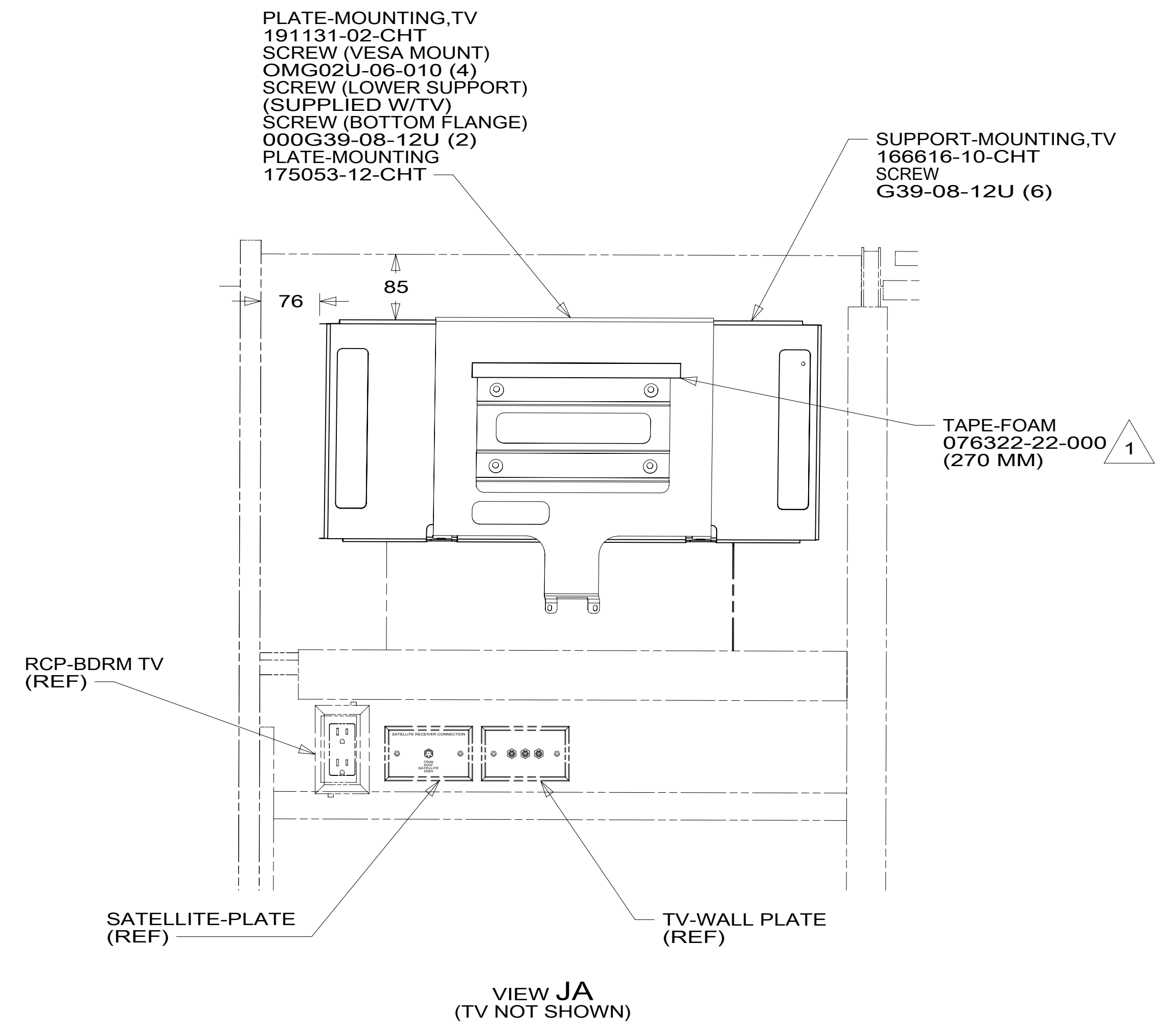
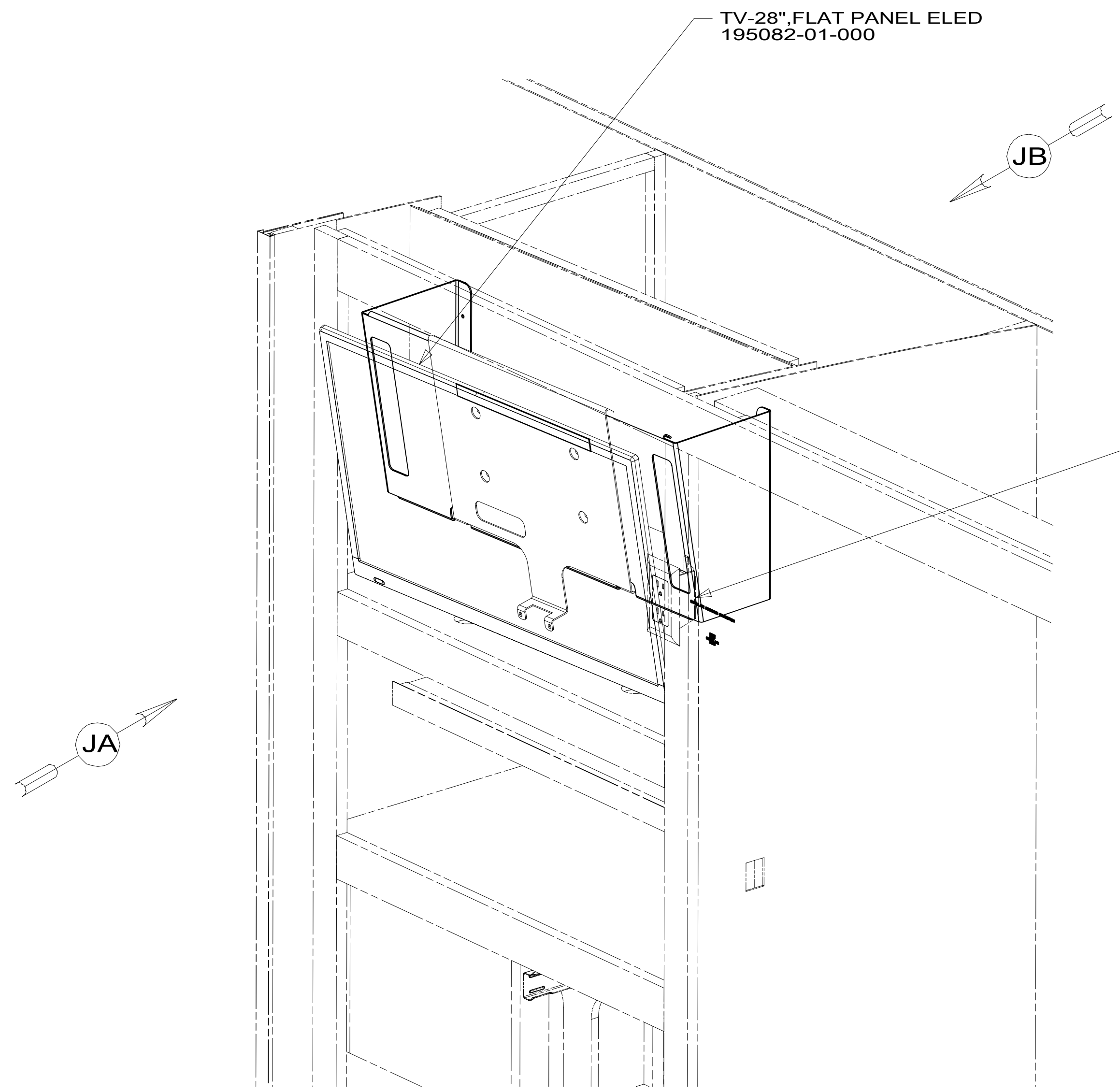
1 16-Nov-2015

FOR ELECTRICAL TORQUE SPECIFICATIONS SEE DWG NO. 128783-01-000

X-X FOR ELECTRICAL CALLOUTS SEE DWG NO. 121339-01-000

DETAIL HA

\* 189063



- 61M TV(REAR)-28" COLOR STEREO
- 265 CODES/STANDARDS-CSA/CMVSS
- 1B1 CODES/STANDARDS USA

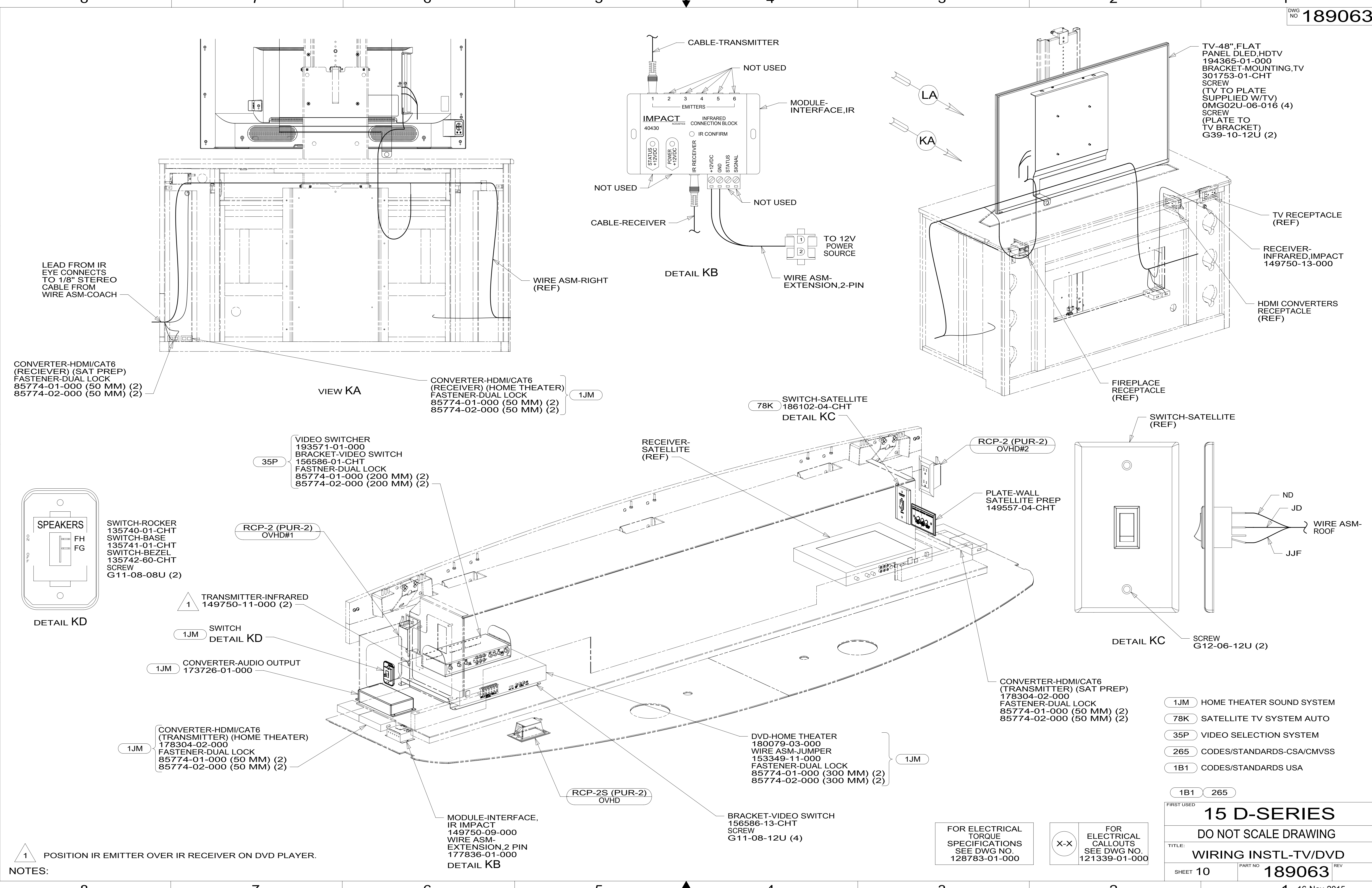
1B1	265	61M
FIRST USED		
<b>15 D-SERIES</b>		
DO NOT SCALE DRAWING		
TITLE: <b>WIRING INSTL-TV/DVD</b>		
SHEET 9	PART NO <b>189063</b>	REV

FOR ELECTRICAL TORQUE SPECIFICATIONS SEE DWG NO. 128783-01-000

FOR ELECTRICAL CALLOUTS SEE DWG NO. 121339-01-000

NOTES:  
 1 PREP SURFACE WITH ADHESIVE PROMOTER 87211-01-000.

\*189063 A\*



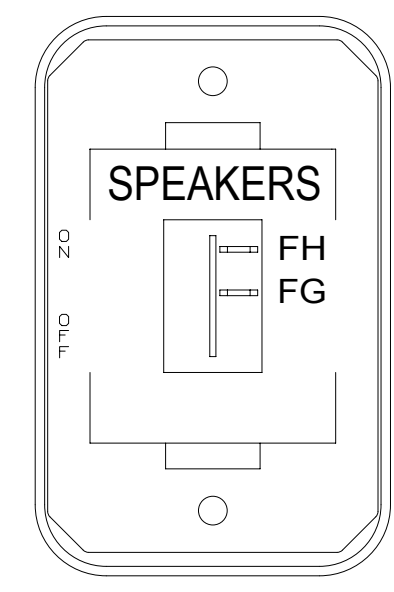
LEAD FROM IR EYE CONNECTS TO 1/8" STEREO CABLE FROM WIRE ASM-COACH

CONVERTER-HDMI/CAT6 (RECIEVER) (SAT PREP)  
FASTENER-DUAL LOCK  
85774-01-000 (50 MM) (2)  
85774-02-000 (50 MM) (2)

VIEW KA

CONVERTER-HDMI/CAT6 (RECEIVER) (HOME THEATER)  
FASTENER-DUAL LOCK  
85774-01-000 (50 MM) (2)  
85774-02-000 (50 MM) (2)

1JM



DETAIL KD

SPEAKERS  
SWITCH-ROCKER  
135740-01-CHT  
SWITCH-BASE  
135741-01-CHT  
SWITCH-BEZEL  
135742-60-CHT  
SCREW  
G11-08-08U (2)

35P

VIDEO SWITCHER  
193571-01-000  
BRACKET-VIDEO SWITCH  
156586-01-CHT  
FASTNER-DUAL LOCK  
85774-01-000 (200 MM) (2)  
85774-02-000 (200 MM) (2)

RCP-2 (PUR-2) OVHD#1

1 TRANSMITTER-INFRARED  
149750-11-000 (2)

1JM SWITCH  
DETAIL KD

1JM CONVERTER-AUDIO OUTPUT  
173726-01-000

1JM CONVERTER-HDMI/CAT6 (TRANSMITTER) (HOME THEATER)  
178304-02-000  
FASTENER-DUAL LOCK  
85774-01-000 (50 MM) (2)  
85774-02-000 (50 MM) (2)

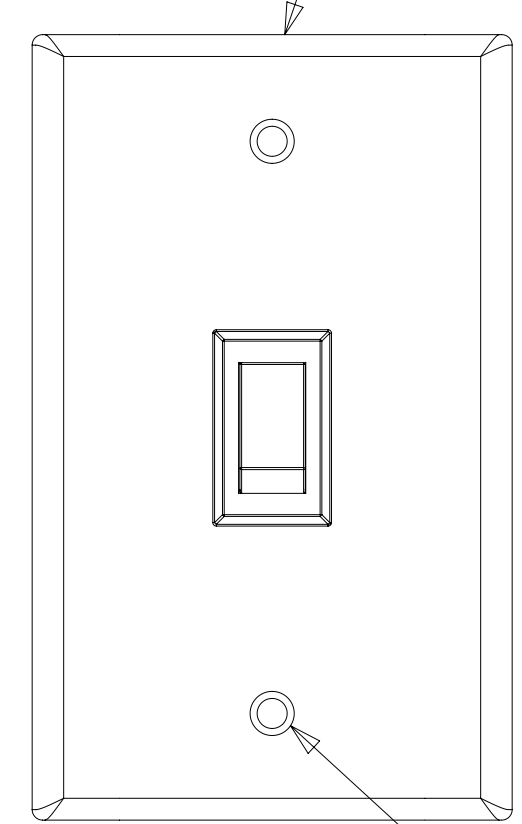
RECEIVER-SATELLITE (REF)

78K SWITCH-SATELLITE  
186102-04-CHT  
DETAIL KC

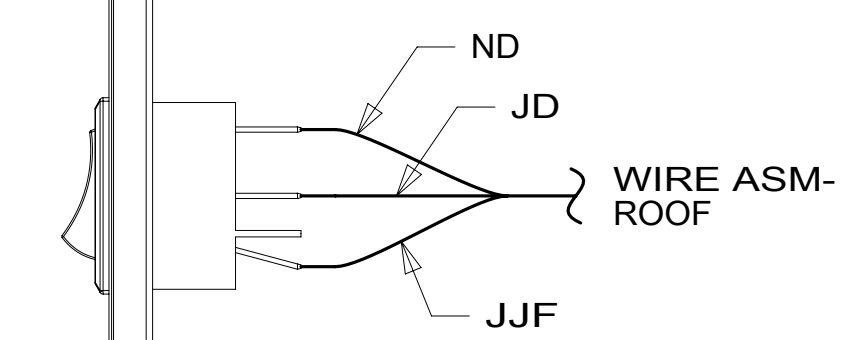
RCP-2 (PUR-2) OVHD#2

PLATE-WALL SATELLITE PREP  
149557-04-CHT

SWITCH-SATELLITE (REF)



DETAIL KC



WIRE ASM-ROOF

SCREW  
G12-06-12U (2)

CONVERTER-HDMI/CAT6 (TRANSMITTER) (SAT PREP)  
178304-02-000  
FASTENER-DUAL LOCK  
85774-01-000 (50 MM) (2)  
85774-02-000 (50 MM) (2)

- 1JM HOME THEATER SOUND SYSTEM
- 78K SATELLITE TV SYSTEM AUTO
- 35P VIDEO SELECTION SYSTEM
- 265 CODES/STANDARDS-CSA/CMVSS
- 1B1 CODES/STANDARDS USA

1B1 265

DVD-HOME THEATER  
180079-03-000  
WIRE ASM-JUMPER  
153349-11-000  
FASTENER-DUAL LOCK  
85774-01-000 (300 MM) (2)  
85774-02-000 (300 MM) (2)

1JM

RCP-2S (PUR-2) OVHD

MODULE-INTERFACE, IR  
IMPACT  
149750-09-000  
WIRE ASM-EXTENSION,2 PIN  
177836-01-000  
DETAIL KB

BRACKET-VIDEO SWITCH  
156586-13-CHT  
SCREW  
G11-08-12U (4)

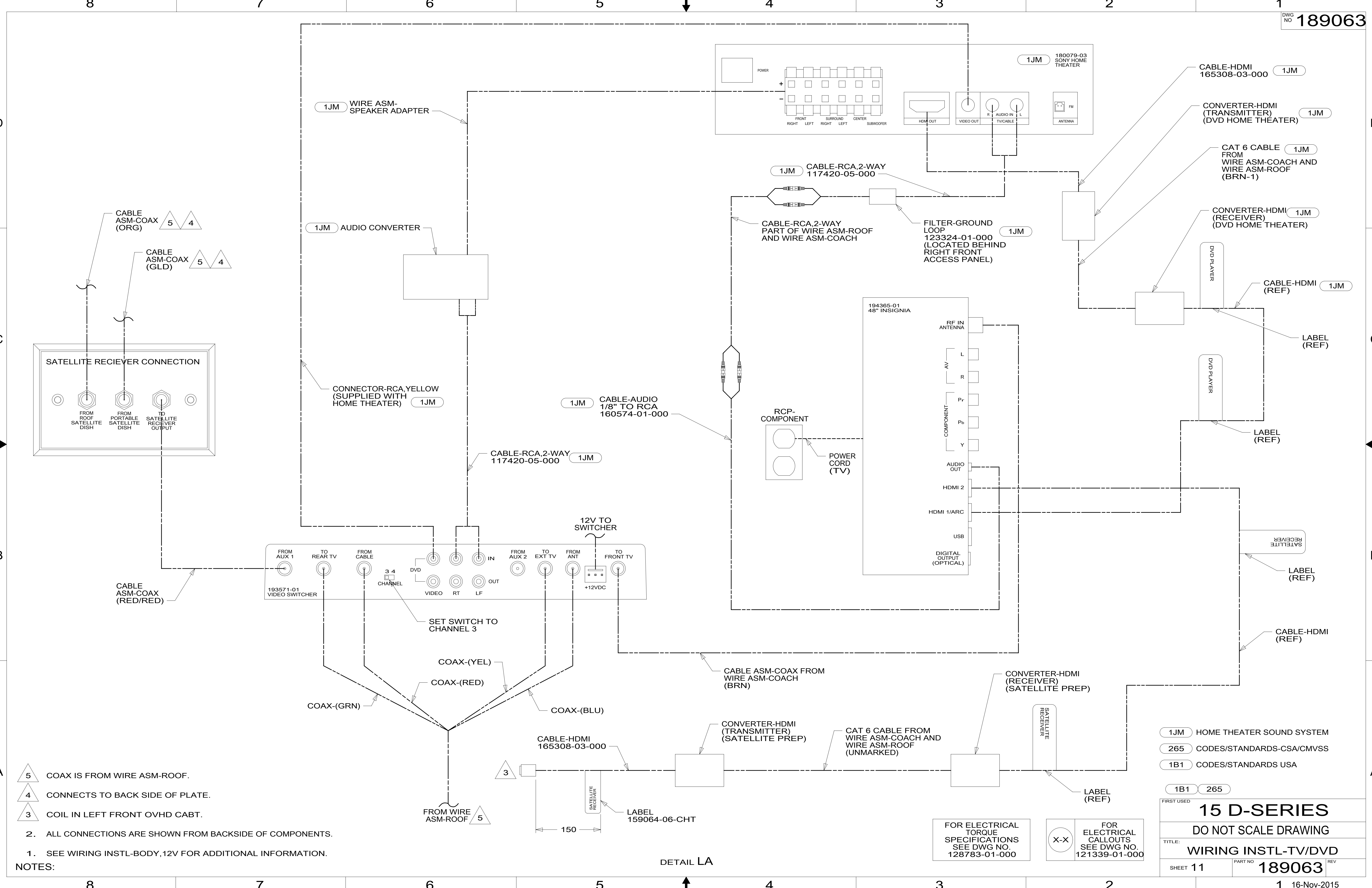
FOR ELECTRICAL TORQUE SPECIFICATIONS SEE DWG NO. 128783-01-000

FOR ELECTRICAL CALLOUTS SEE DWG NO. 121339-01-000

NOTES:  
1 POSITION IR EMITTER OVER IR RECEIVER ON DVD PLAYER.

FIRST USED	
<b>15 D-SERIES</b>	
DO NOT SCALE DRAWING	
TITLE: <b>WIRING INSTL-TV/DVD</b>	
SHEET 10	PART NO <b>189063</b> REV
1 16-Nov-2015	

\*189063 A\*



- 5 COAX IS FROM WIRE ASM-ROOF.
- 4 CONNECTS TO BACK SIDE OF PLATE.
- 3 COIL IN LEFT FRONT OVHD CABT.

2. ALL CONNECTIONS ARE SHOWN FROM BACKSIDE OF COMPONENTS.  
 1. SEE WIRING INSTL-BODY, 12V FOR ADDITIONAL INFORMATION.

NOTES:

DETAIL LA

FOR ELECTRICAL TORQUE SPECIFICATIONS SEE DWG NO. 128783-01-000

X-X FOR ELECTRICAL CALLOUTS SEE DWG NO. 121339-01-000

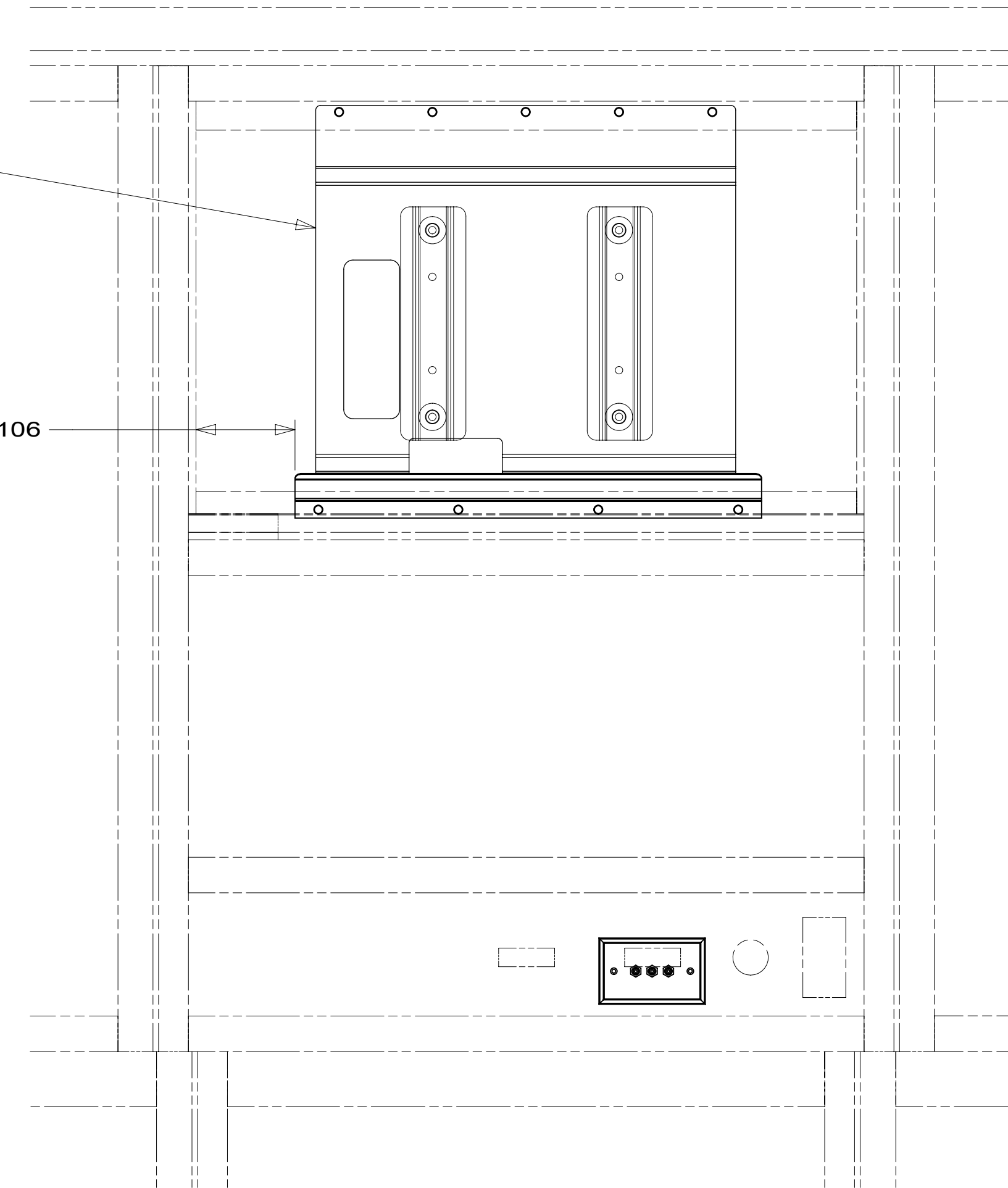
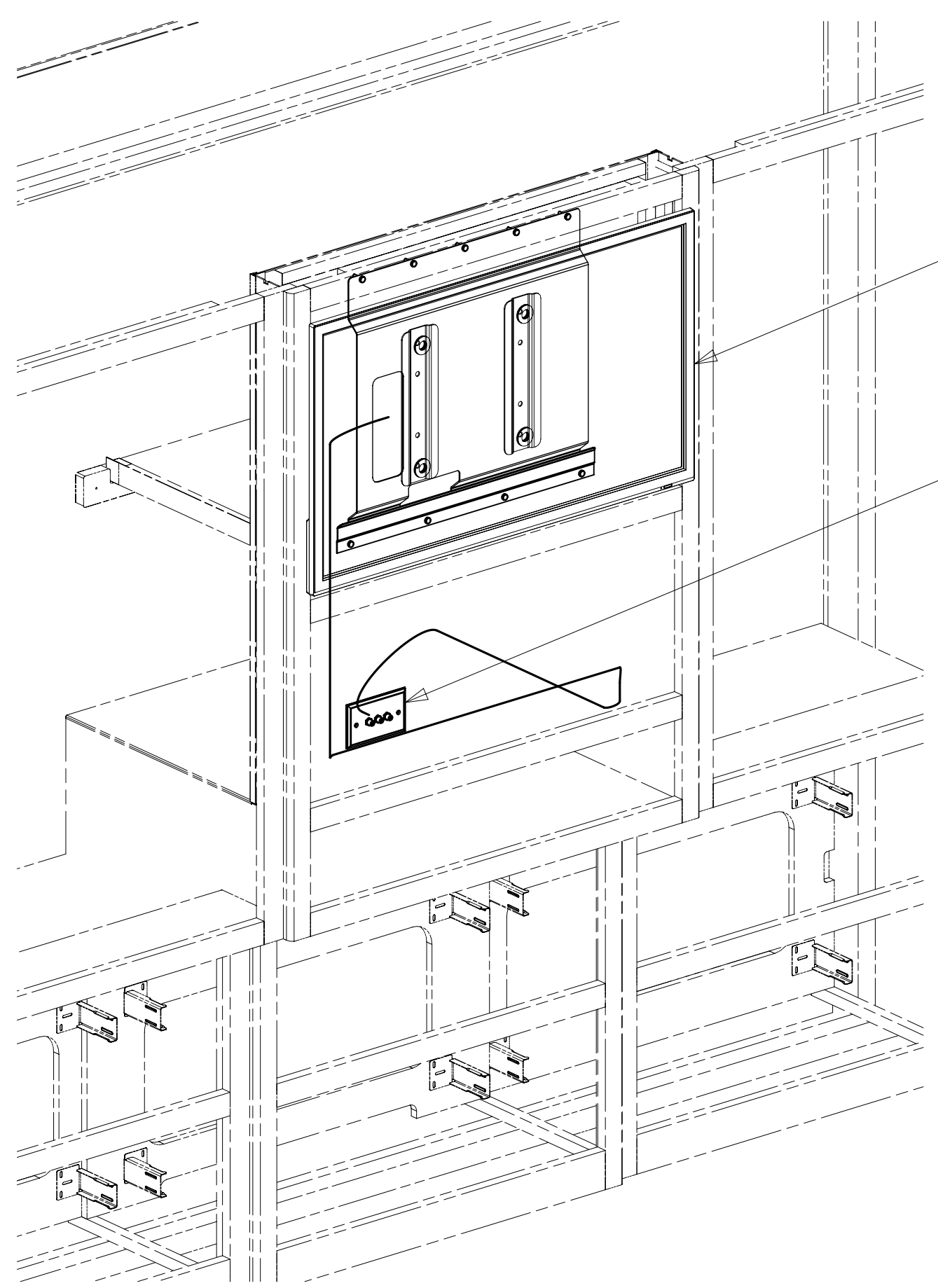
1JM	HOME THEATER SOUND SYSTEM
265	CODES/STANDARDS-CSA/CMVSS
1B1	CODES/STANDARDS USA
1B1	265
FIRST USED	
<b>15 D-SERIES</b>	
<b>DO NOT SCALE DRAWING</b>	
TITLE: <b>WIRING INSTL-TV/DVD</b>	
SHEET 11	PART NO <b>189063</b> REV
1 16-Nov-2015	

\* 189063 A \*

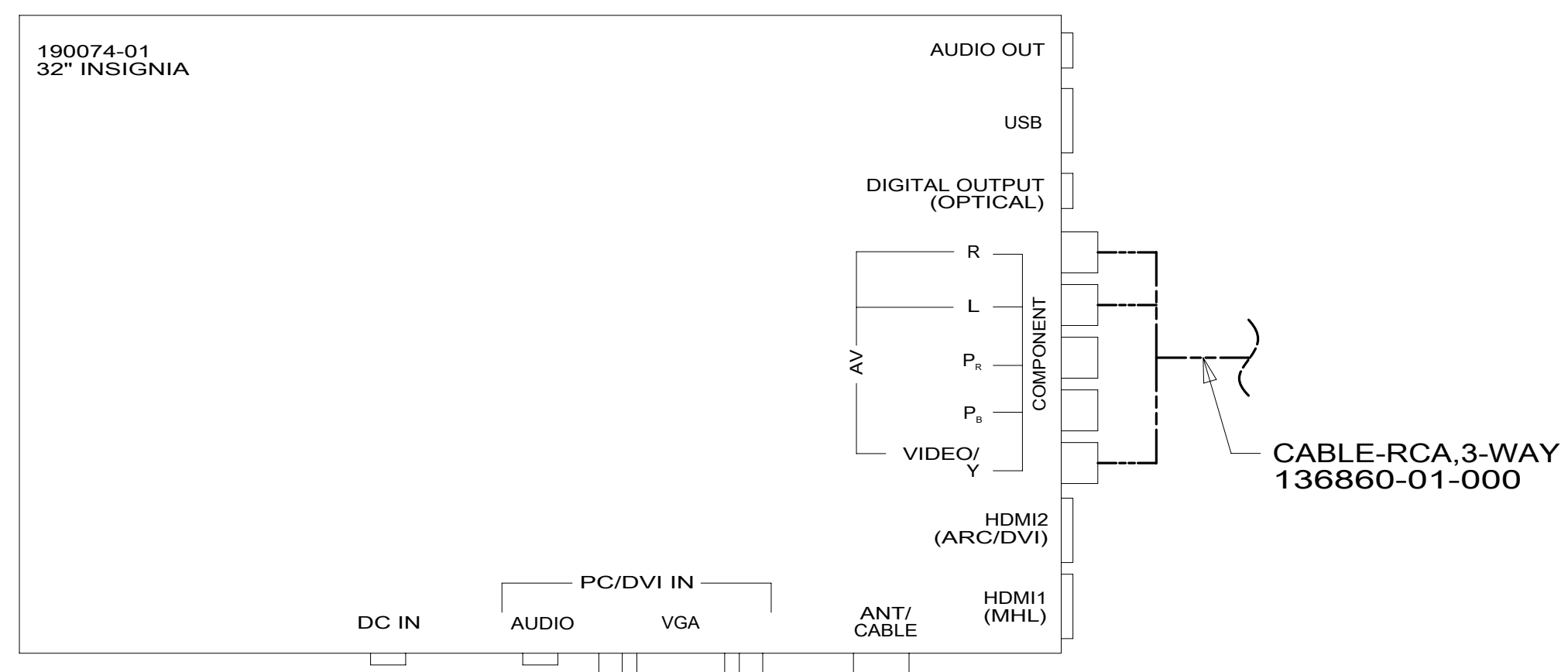
BRACKET-TV,32" INSIG  
 195035-01-CHT  
 BRACKET-MOUNTING-TV  
 195044-01-CHT (2)  
 SCREW (VESA MOUNT)  
 0MG02U-06-020 (4)  
 SCREW (BOTTOM FLANGE)  
 G39-08-12U (9)  
 CLIP-TRIM  
 130034-04-CHT

TV-32",FLAT  
 PANEL DLED,HDTV  
 194849-01-000

PLATE-WALL,3-FEMALE RCA  
 167733-01-CHT



VIEW MA  
 (TV NOT SHOWN)



VIEW MB

265 CODES/STANDARDS-CSA/CMVSS  
 1B1 CODES/STANDARDS USA

1B1	265
FIRST USED	
<b>15 D-SERIES</b>	
DO NOT SCALE DRAWING	
TITLE: <b>WIRING INSTL-TV/DVD</b>	
SHEET 12	PART NO <b>189063</b> REV

FOR ELECTRICAL  
 TORQUE  
 SPECIFICATIONS  
 SEE DWG NO.  
 128783-01-000

FOR ELECTRICAL  
 CALLOUTS  
 SEE DWG NO.  
 121339-01-000

\*189063\*