



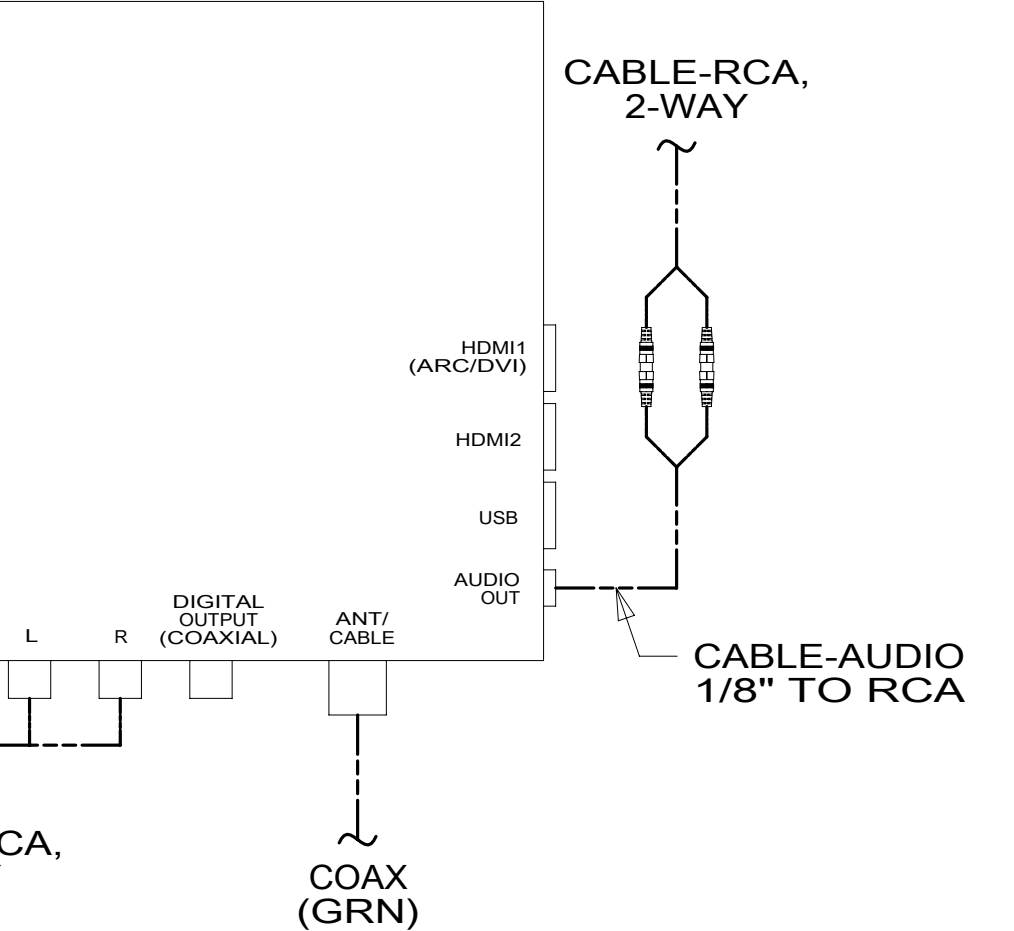
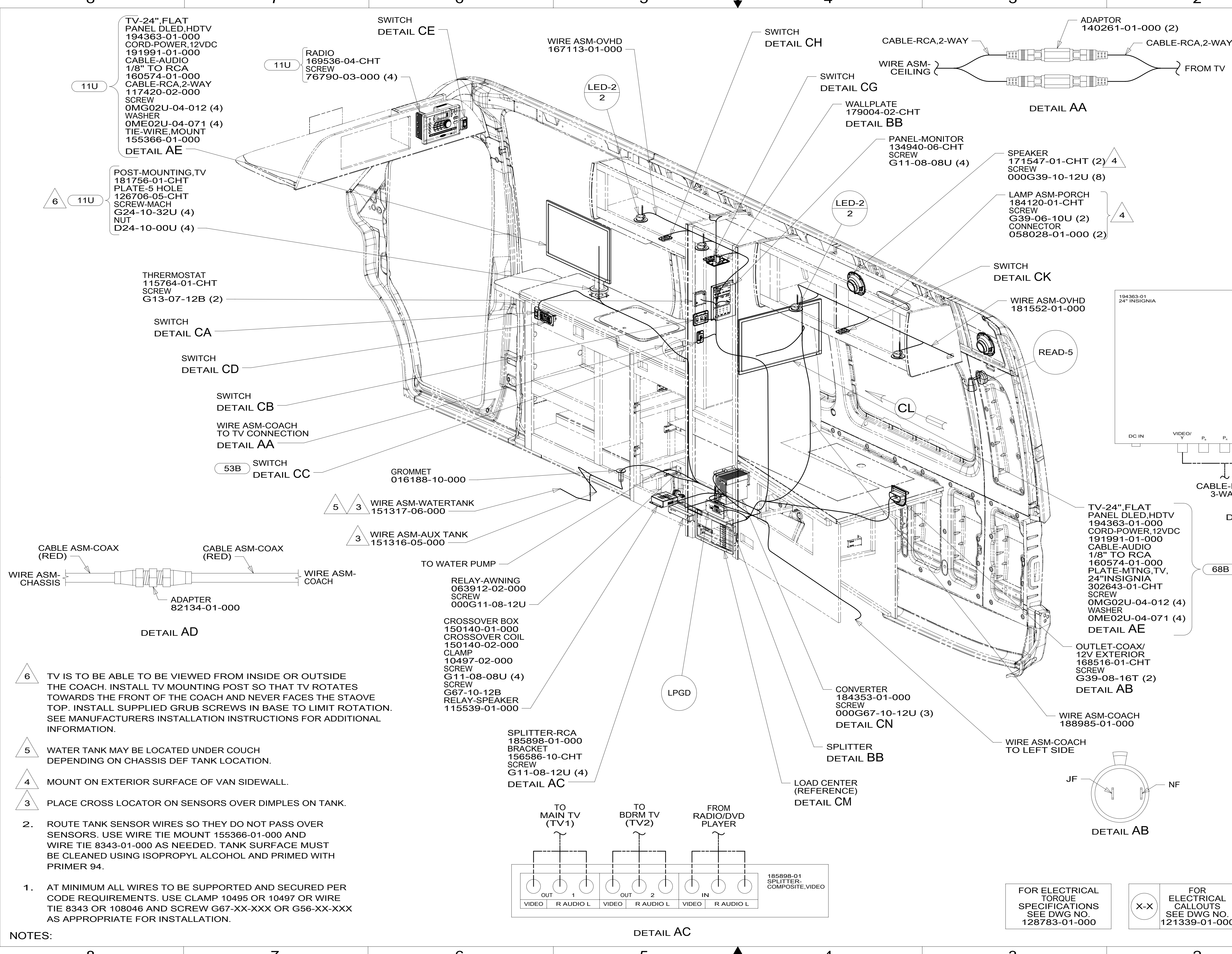
DANGER

Danger of electrical shock, burns or death. Always remove all power sources before attempting any repair, service or diagnostic work. Power can be present from shore power, generator, inverter or battery. All power sources must be disabled and secured before performing any service.



CAUTION

If you lack the skills, tools or equipment to perform diagnostic or repair work leave such work to an authorized Winnebago Industries dealer or other qualified shop.

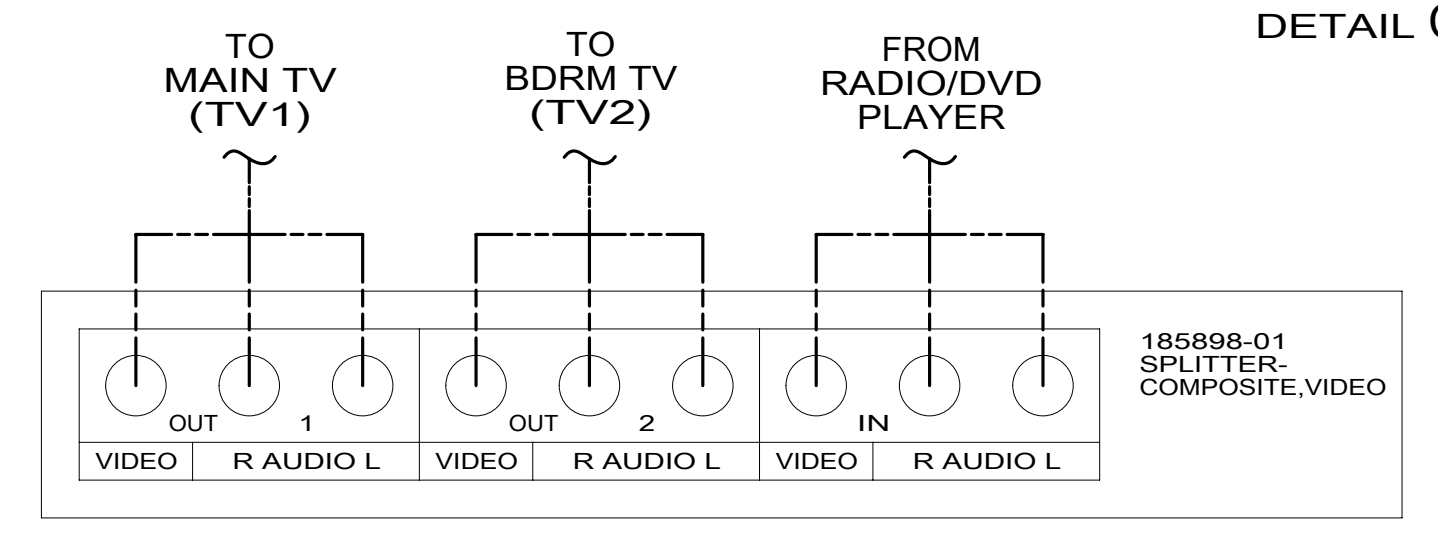


- 68B TV (REAR)DC 22" LCD W/REMOTE
- 11U TV-22"DC,LCD,STEREO/CD/DVD
- 53B WTR HTR-6GAL ELECTRIC/LP GAS
- 265 CODES/STANDARDS-CSA/CMVSS
- 1B1 CODES/STANDARDS USA

WINNEBAGO COPYRIGHT 2014 WINNEBAGO INDUSTRIES, INC.

DFTR	ORIG. DATE
CHKR	ALL DIMENSIONS ARE IN MILLIMETERS
P.E.	
M.E.	
DSNR	
FIRST USED	
15 170A	
UNSPECIFIED TOLERANCES ARE:	
WHOLE DIM (X)	: 3
ONE-PLACE (X.X)	: 1.5
TWO-PLACE (X.XX)	: 0.50
ANGLE	: 1°
THIRD ANGLE PROJECTION	
DO NOT SCALE DRAWING REFER TO ES0018 FOR FASTENER TIGHTENING GUIDELINES	
TITLE: WIRING INSTL-BODY, 12V	
SHEET 1 OF 4	PART NO 188929 REV
REF:	1 26-Oct-2015

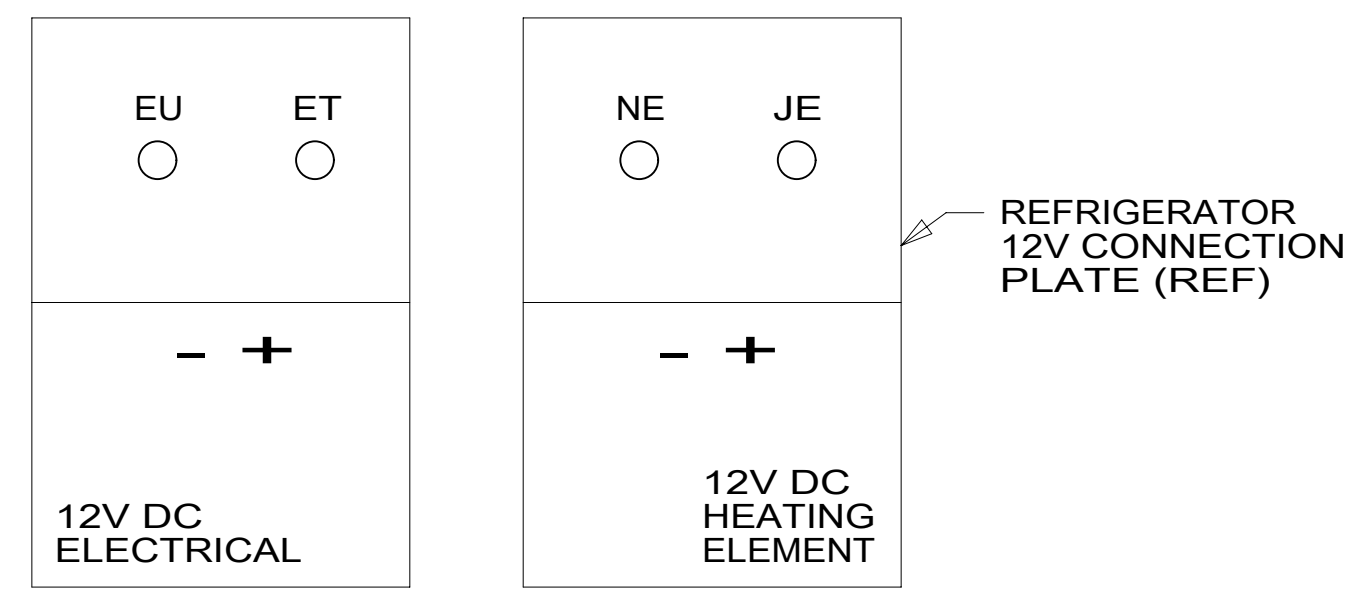
- NOTES:**
- AT MINIMUM ALL WIRES TO BE SUPPORTED AND SECURED PER CODE REQUIREMENTS. USE CLAMP 10495 OR 10497 OR WIRE TIE 8343 OR 108046 AND SCREW G67-XX-XXX OR G56-XX-XXX AS APPROPRIATE FOR INSTALLATION.
 - ROUTE TANK SENSOR WIRES SO THEY DO NOT PASS OVER SENSORS. USE WIRE TIE MOUNT 155366-01-000 AND WIRE TIE 8343-01-000 AS NEEDED. TANK SURFACE MUST BE CLEANED USING ISOPROPYL ALCOHOL AND PRIMED WITH PRIMER 94.
 - PLACE CROSS LOCATOR ON SENSORS OVER DIMPLES ON TANK.
 - MOUNT ON EXTERIOR SURFACE OF VAN SIDEWALL.
 - WATER TANK MAY BE LOCATED UNDER COUCH DEPENDING ON CHASSIS DEF TANK LOCATION.
 - TV IS TO BE ABLE TO BE VIEWED FROM INSIDE OR OUTSIDE THE COACH. INSTALL TV MOUNTING POST SO THAT TV ROTATES TOWARDS THE FRONT OF THE COACH AND NEVER FACES THE STAOVE TOP. INSTALL SUPPLIED GRUB SCREWS IN BASE TO LIMIT ROTATION. SEE MANUFACTURERS INSTALLATION INSTRUCTIONS FOR ADDITIONAL INFORMATION.



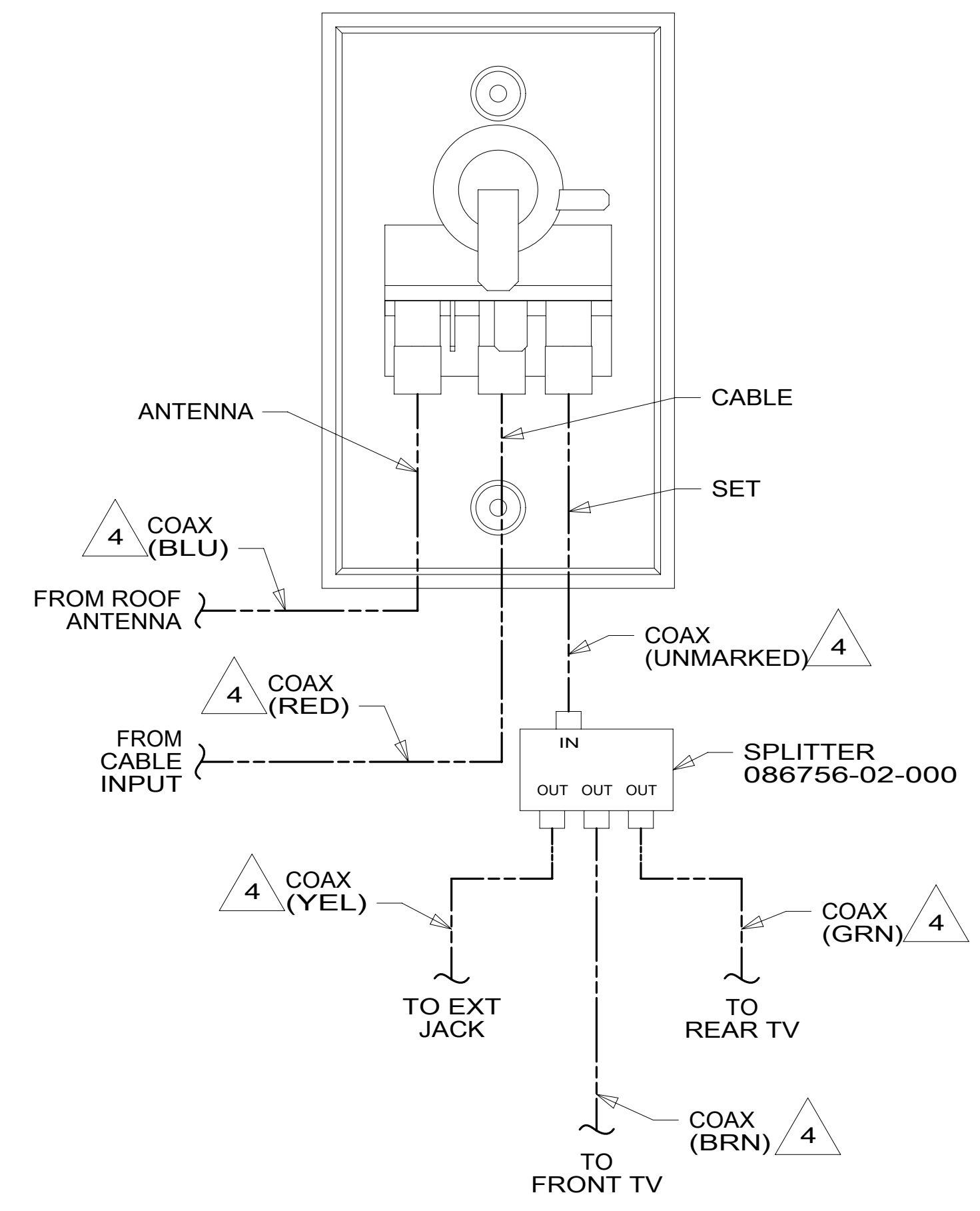
FOR ELECTRICAL TORQUE SPECIFICATIONS SEE DWG NO. 128783-01-000

FOR ELECTRICAL CALLOUTS SEE DWG NO. 121339-01-000

188929



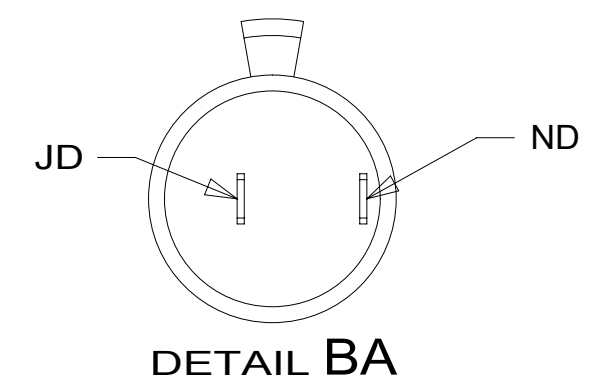
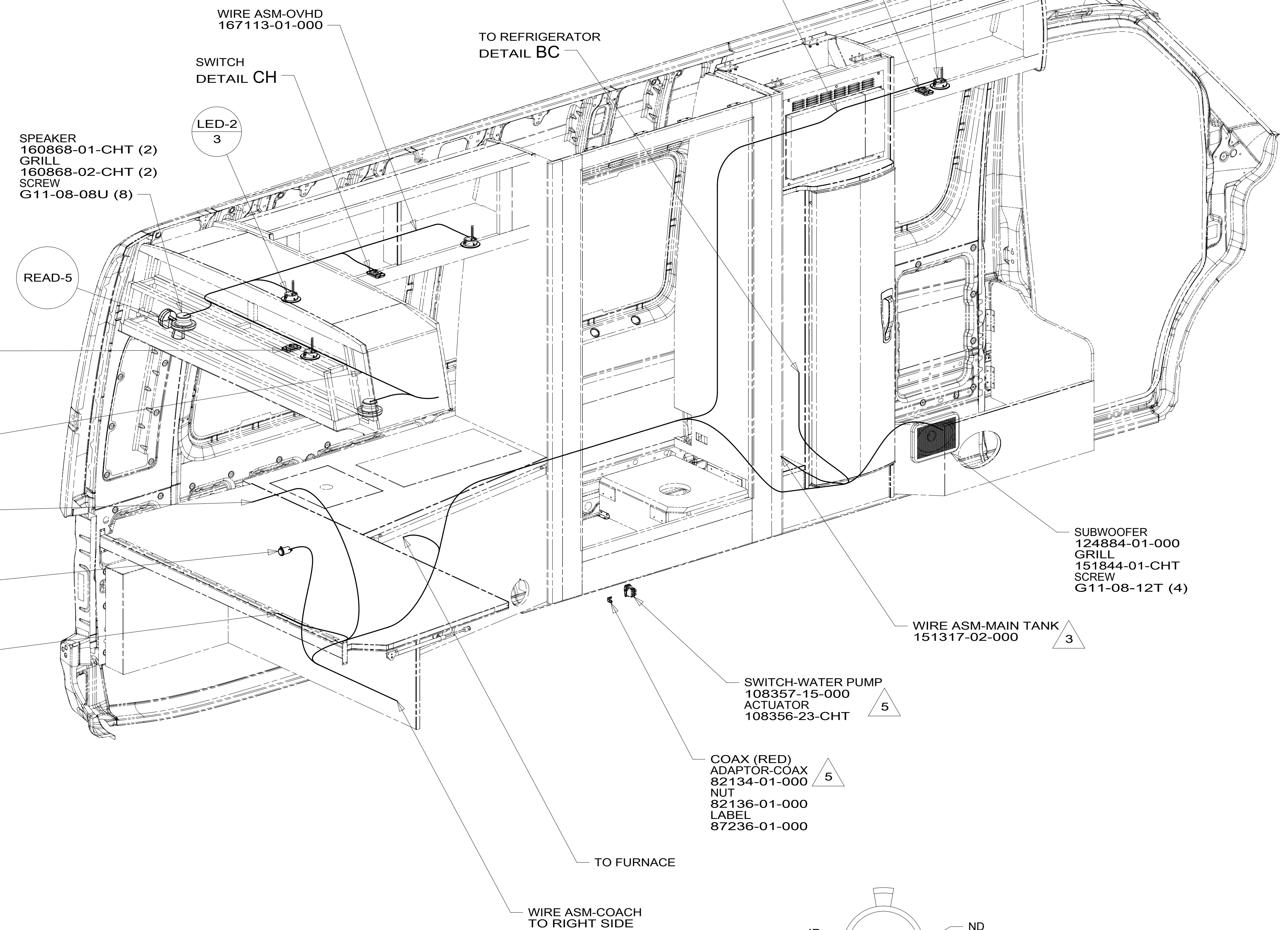
DETAIL BC



DETAIL BB

- 5 MOUNTED IN EXTERIOR SERVICE CENTER.
- 4 COAX IS PART OF WIRE ASM-COACH.
- 3 COVER ALL WIRES AND CABLES WITH CONVOLUTED TUBING. SECURE TO TV BRACKET SO THAT WIRES AND CABLES DO NOT BECOME PINCHED.
- 2 LOCATE HOLES TO MATCH PANEL ASM-VERTICAL.
1. AT MINIMUM ALL WIRES TO BE SUPPORTED AND SECURED PER CODE REQUIREMENTS. USE CLAMP 10495 OR 10497 OR WIRE TIE 8343 OR 108046 AND SCREW G67-XX-XXX OR G56-XX-XXX AS APPROPRIATE FOR INSTALLATION.

NOTES:



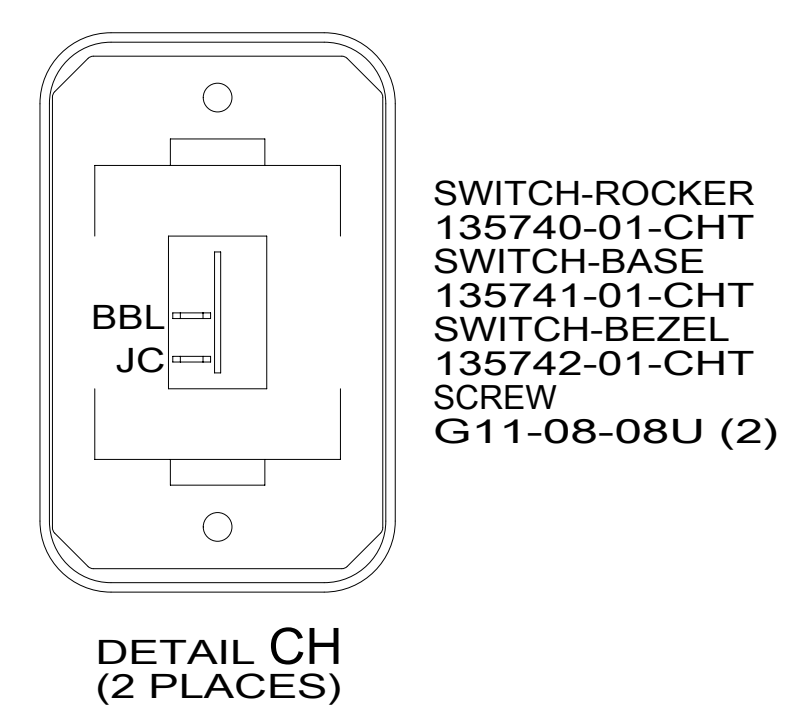
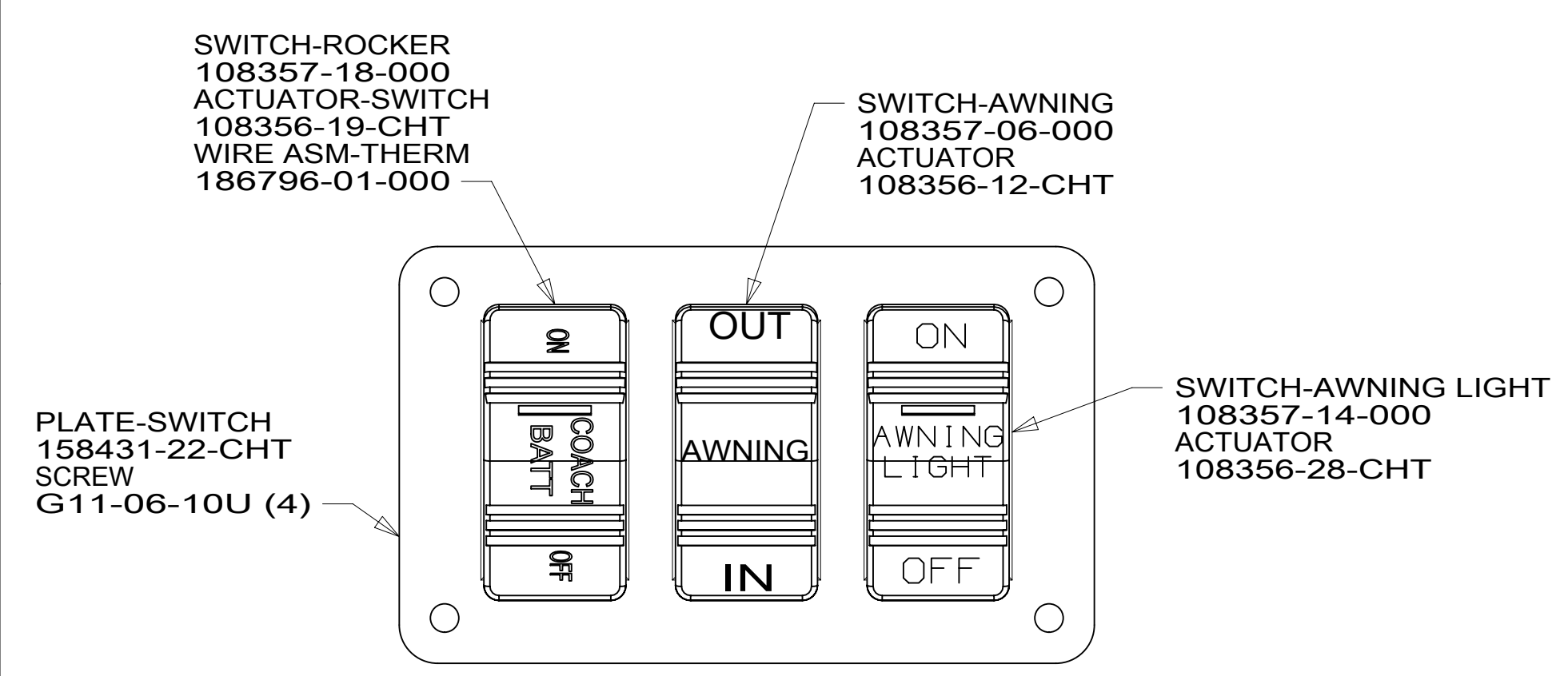
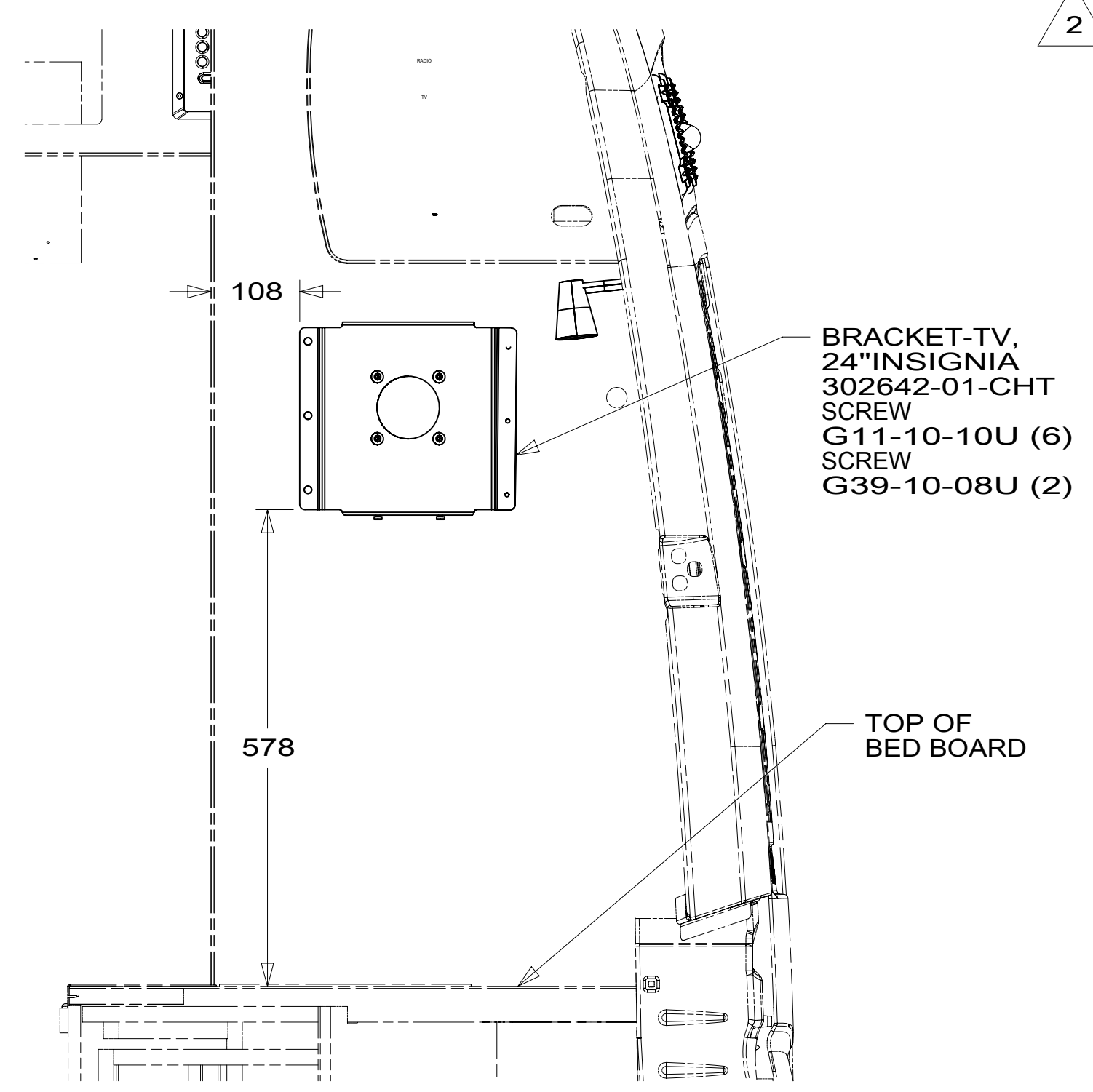
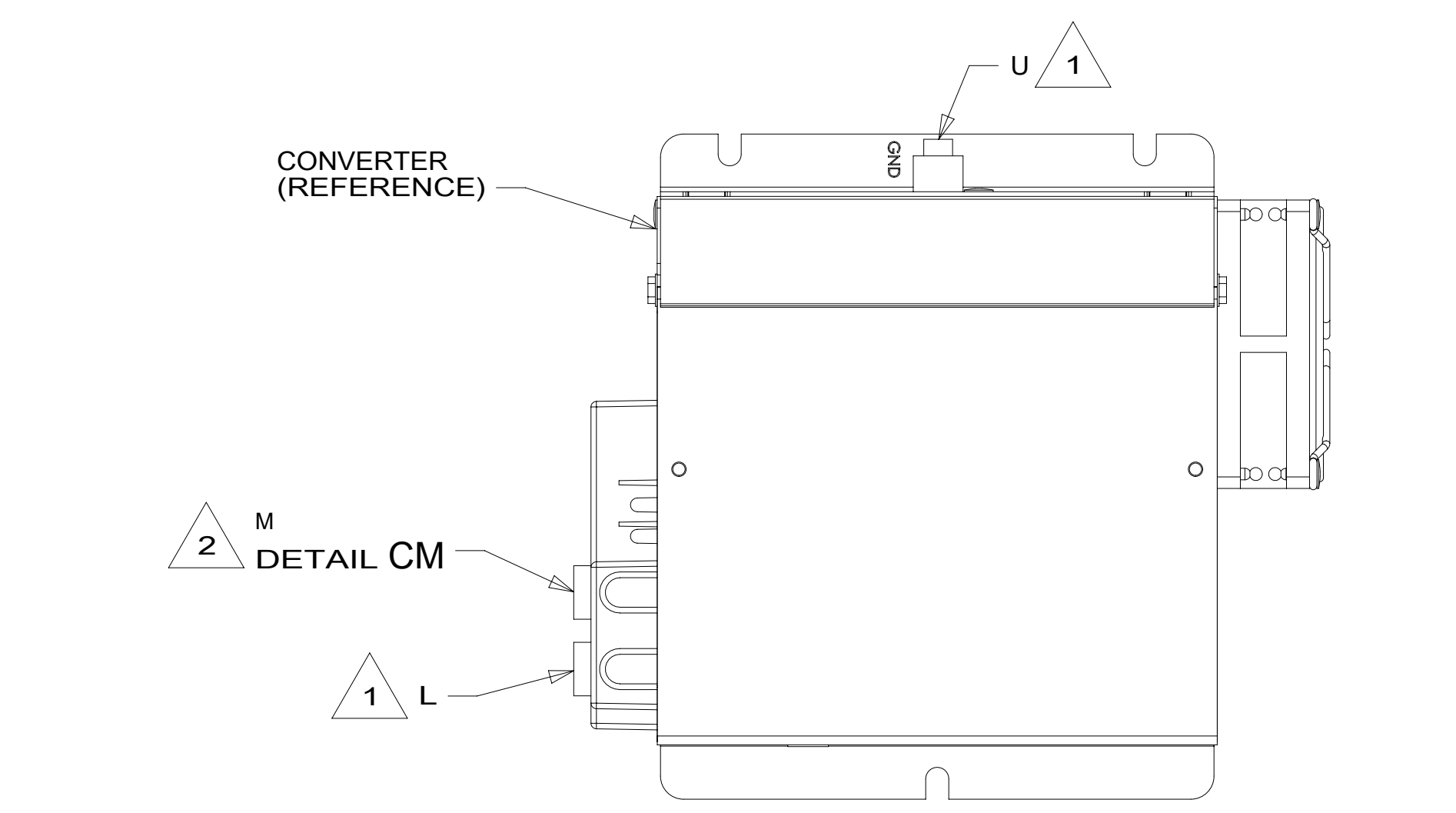
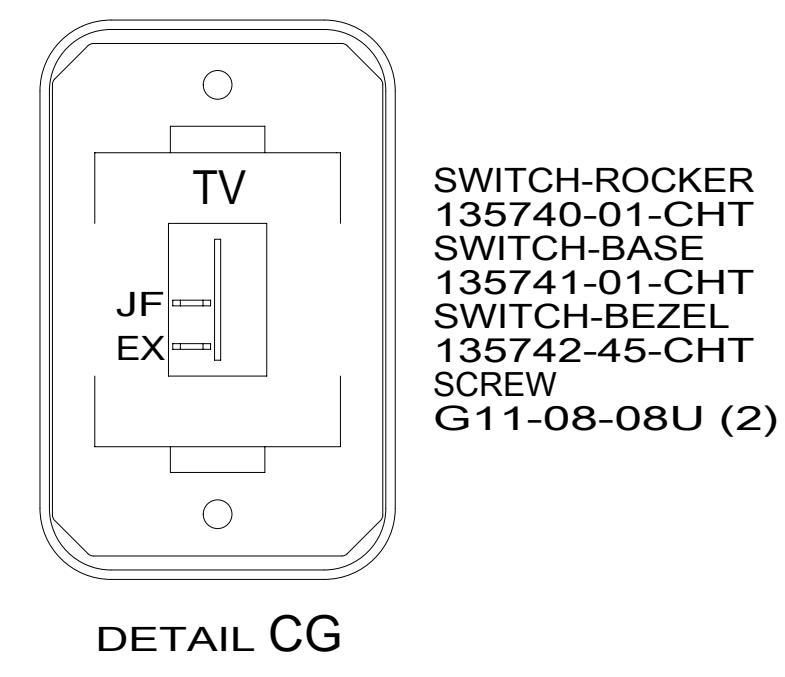
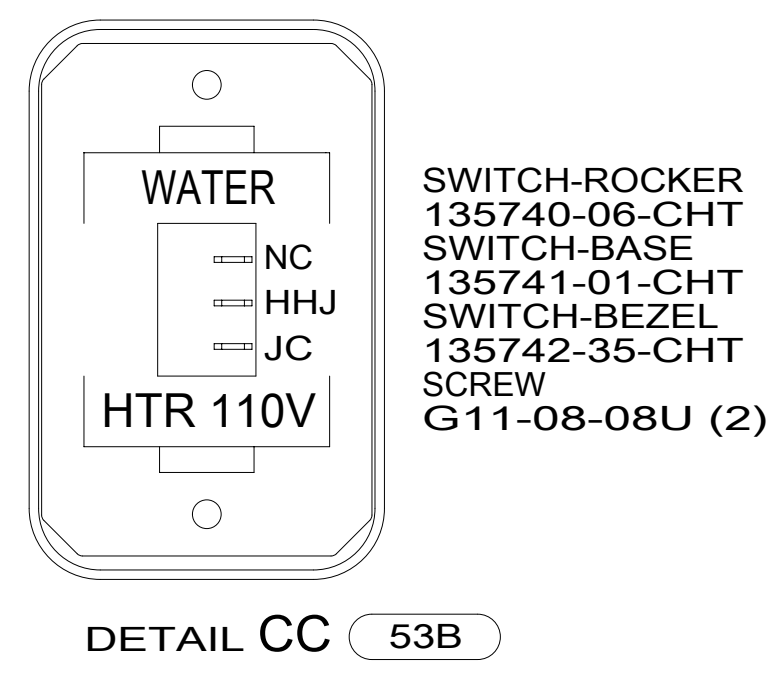
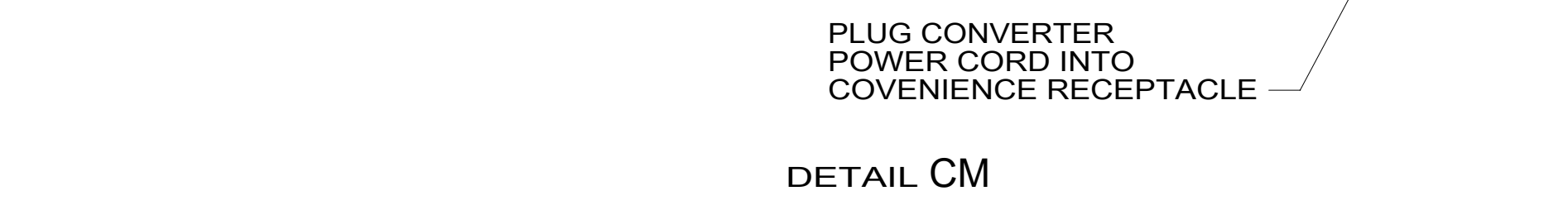
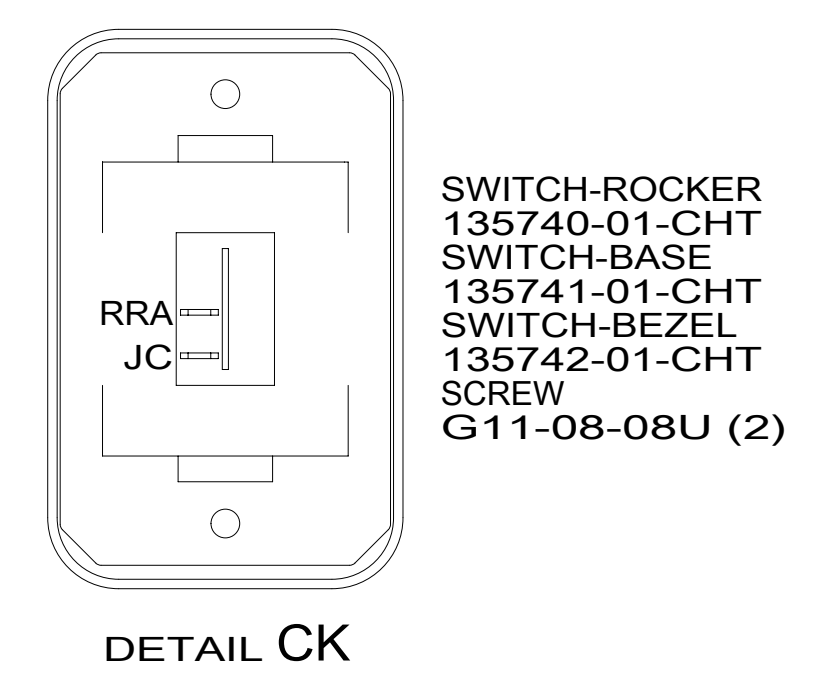
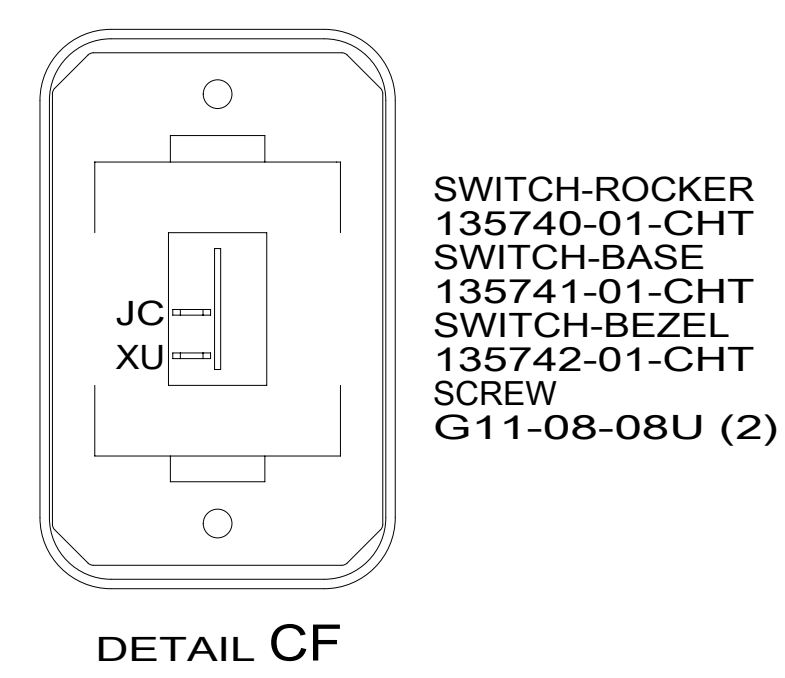
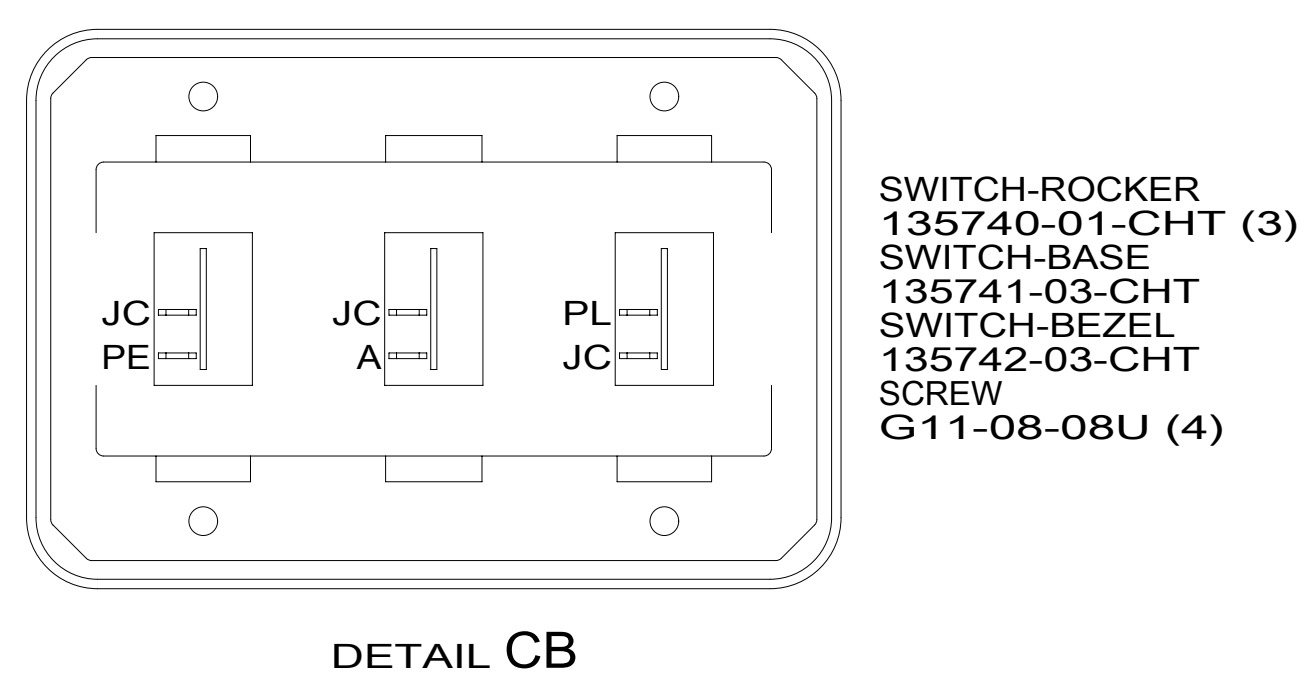
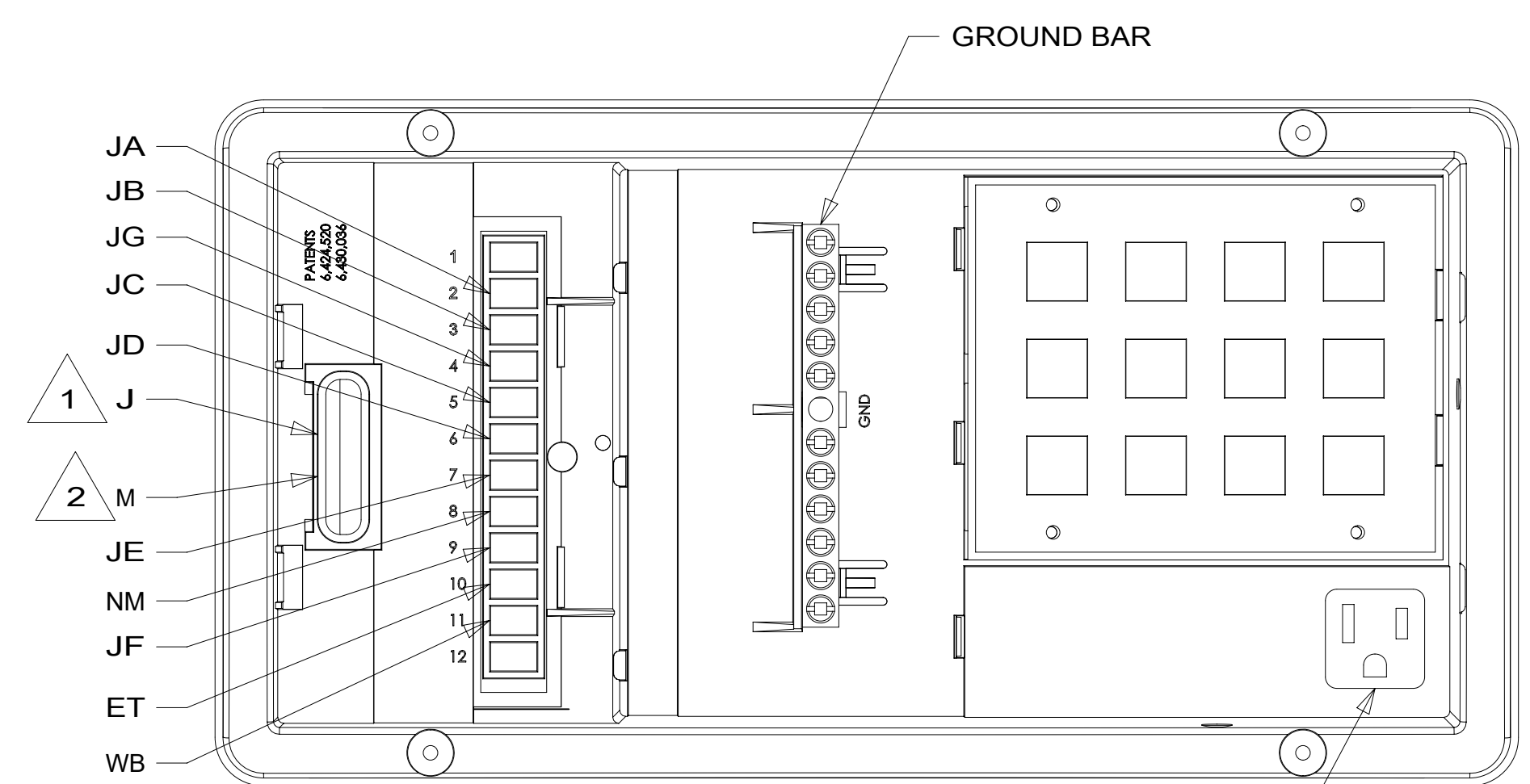
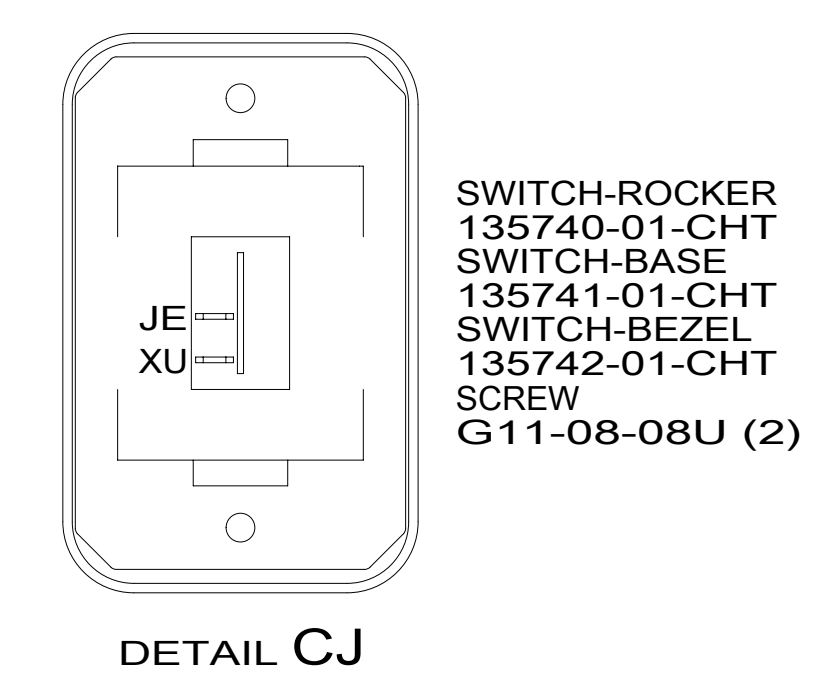
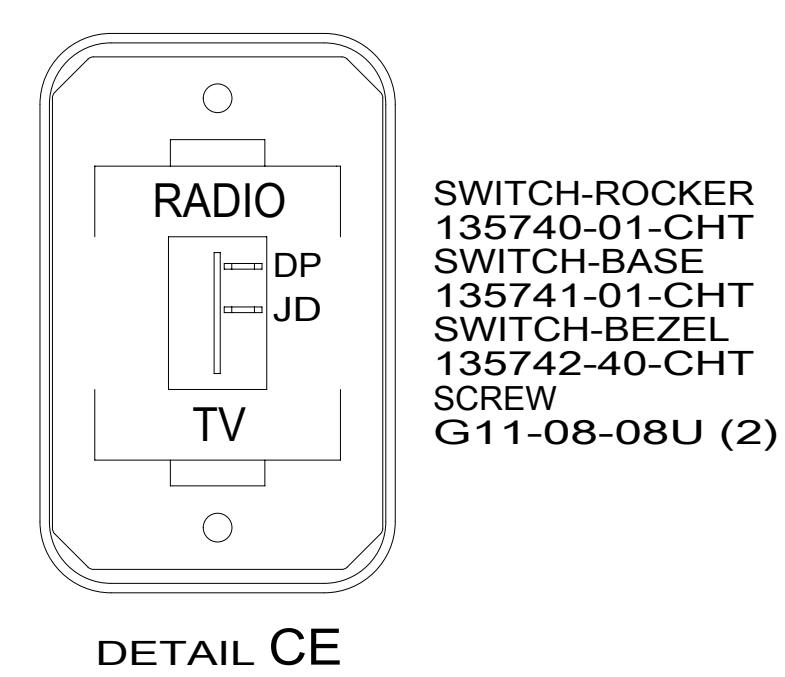
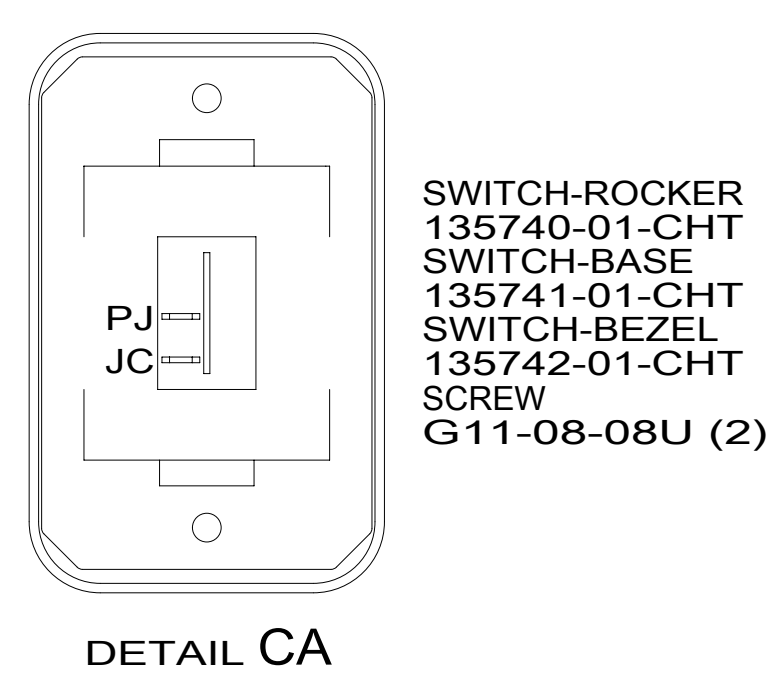
FOR ELECTRICAL TORQUE SPECIFICATIONS SEE DWG NO. 128783-01-000

FOR ELECTRICAL CALLOUTS SEE DWG NO. 121339-01-000

- 53B WTR HTR-6GAL ELECTRIC/LP GAS
- 265 CODES/STANDARDS-CSA/CMVSS
- 1B1 CODES/STANDARDS USA

FIRST USED	15 170A
TITLE:	DO NOT SCALE DRAWING
WIRING INSTL-BODY, 12V	
SHEET 2	PART NO 188929 REV

* 188929 A *



- 53B WTR HTR-6GAL ELECTRIC/LP GAS
- 265 CODES/STANDARDS-CSA/CMVSS
- 1B1 CODES/STANDARDS USA

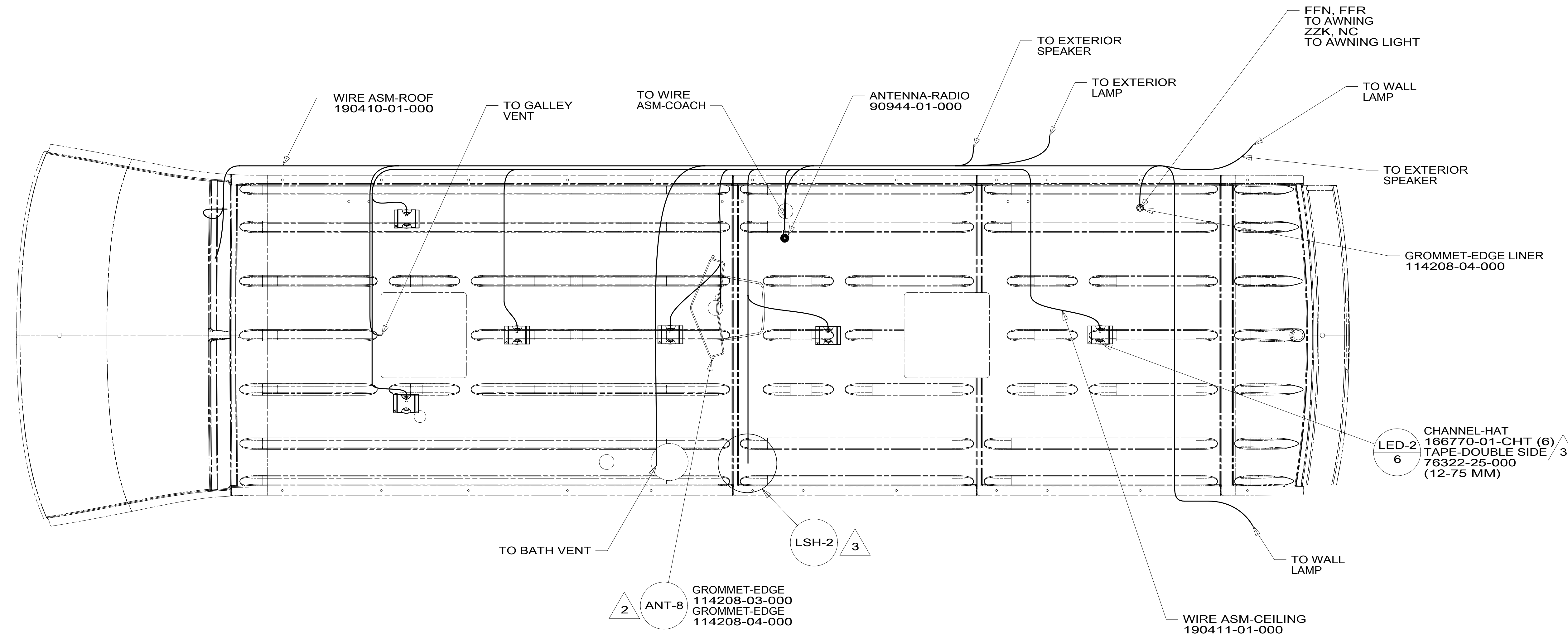
NOTES:
 2 CIRCUIT FROM WIRE ASM-COACH.
 1 CIRCUIT FROM WIRE ASM-CHASSIS.

FOR ELECTRICAL
TORQUE
SPECIFICATIONS
SEE DWG NO.
128783-01-000

FOR
ELECTRICAL
CALLOUTS
SEE DWG NO.
121339-01-000

FIRST USED		15 170A	
DO NOT SCALE DRAWING			
TITLE: WIRING INSTL-BODY, 12V			
SHEET 3	PART NO	188929	REV
		1	26-Oct-2015

* 188929 A *



- 3 MOUNTED ON INTERIOR SURFACE OF ROOF.
- 2 MOUNTED ON EXTERIOR SURFACE OF ROOF.

1. AT MINIMUM ALL WIRES TO BE SUPPORTED AND SECURED PER CODE REQUIREMENTS. USE CLAMP 10495 OR 10497 OR WIRE TIE 8343 OR 108046 AND SCREW G67-XX-XXX OR G56-XX-XXX AS APPROPRIATE FOR INSTALLATION.

NOTES:

FOR ELECTRICAL TORQUE SPECIFICATIONS SEE DWG NO. 128783-01-000

FOR ELECTRICAL CALLOUTS SEE DWG NO. 121339-01-000

- 265 CODES/STANDARDS-CSA/CMVSS
- 1B1 CODES/STANDARDS USA
- 1B1 265

FIRST USED	
15 170A	
DO NOT SCALE DRAWING	
TITLE: WIRING INSTL-BODY, 12V	
SHEET 4	PART NO 188929 REV

188929