



**DANGER**

**Danger of electrical shock, burns or death.** Always remove all power sources before attempting any repair, service or diagnostic work. Power can be present from shore power, generator, inverter or battery. All power sources must be disabled and secured before performing any service.

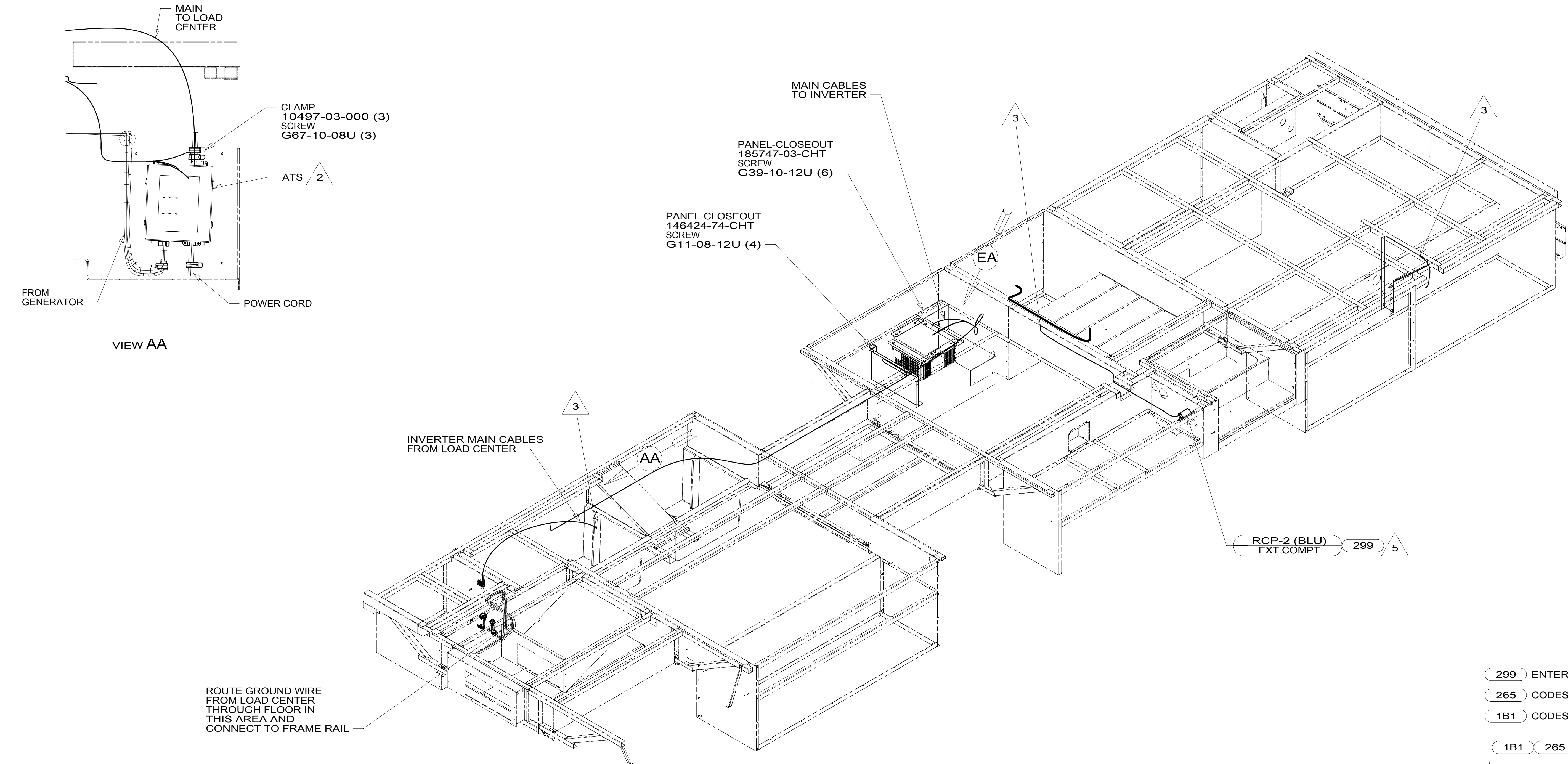


**CAUTION**

If you lack the skills, tools or equipment to perform diagnostic or repair work leave such work to an authorized Winnebago Industries dealer or other qualified shop.

DRAWING NO.	FEATURE
188713-12	1B1 78J
188713-16	265 78J

RELEASE A	REV/DATE	DWG NO. 188713
REV ZONE	REVISION RECORD	DATE DFT-ORIG



- 299 ENTERTAINMENT CENTER EXT. W/O
- 265 CODES/STANDARDS-CSA/CMVSS
- 1B1 CODES/STANDARDS USA

1B1 265



DFTR	ORIG. DATE
CHKR	ALL DIMENSIONS ARE IN MILLIMETERS
P.E.	
M.E.	FIRST USED
DSNR	15 E36Y
UNSPECIFIED TOLERANCES ARE:	
WHOLE DIM (X)	: 3
ONE-PLACE (X.X)	: 1.5
TWO-PLACE (X.XX)	: 0.50
ANGLE	: 1°
THIRD ANGLE PROJECTION	
DO NOT SCALE DRAWING	REFER TO ES0018 FOR FASTENER TIGHTENING GUIDELINES
TITLE: WIRING INSTL-BODY, 110V	
SHEET 1 OF 6	PART NO. 188713 REV

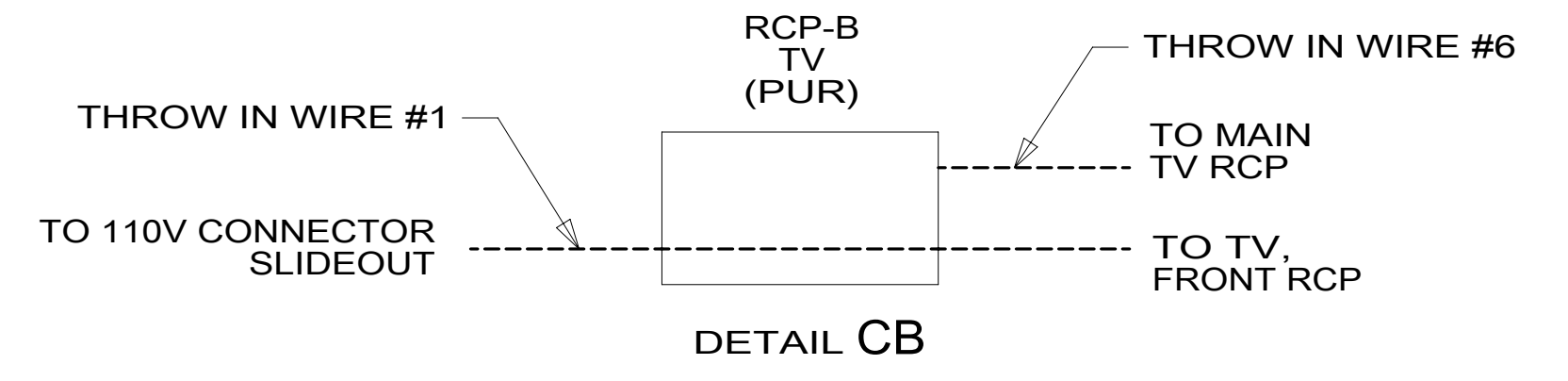
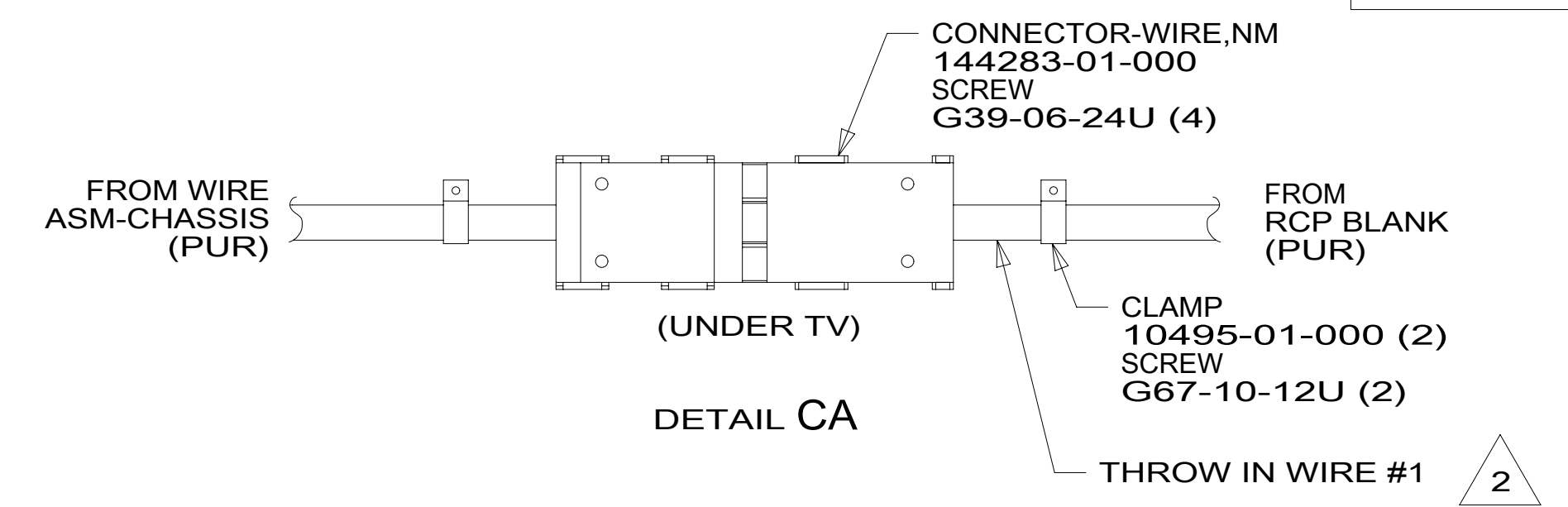
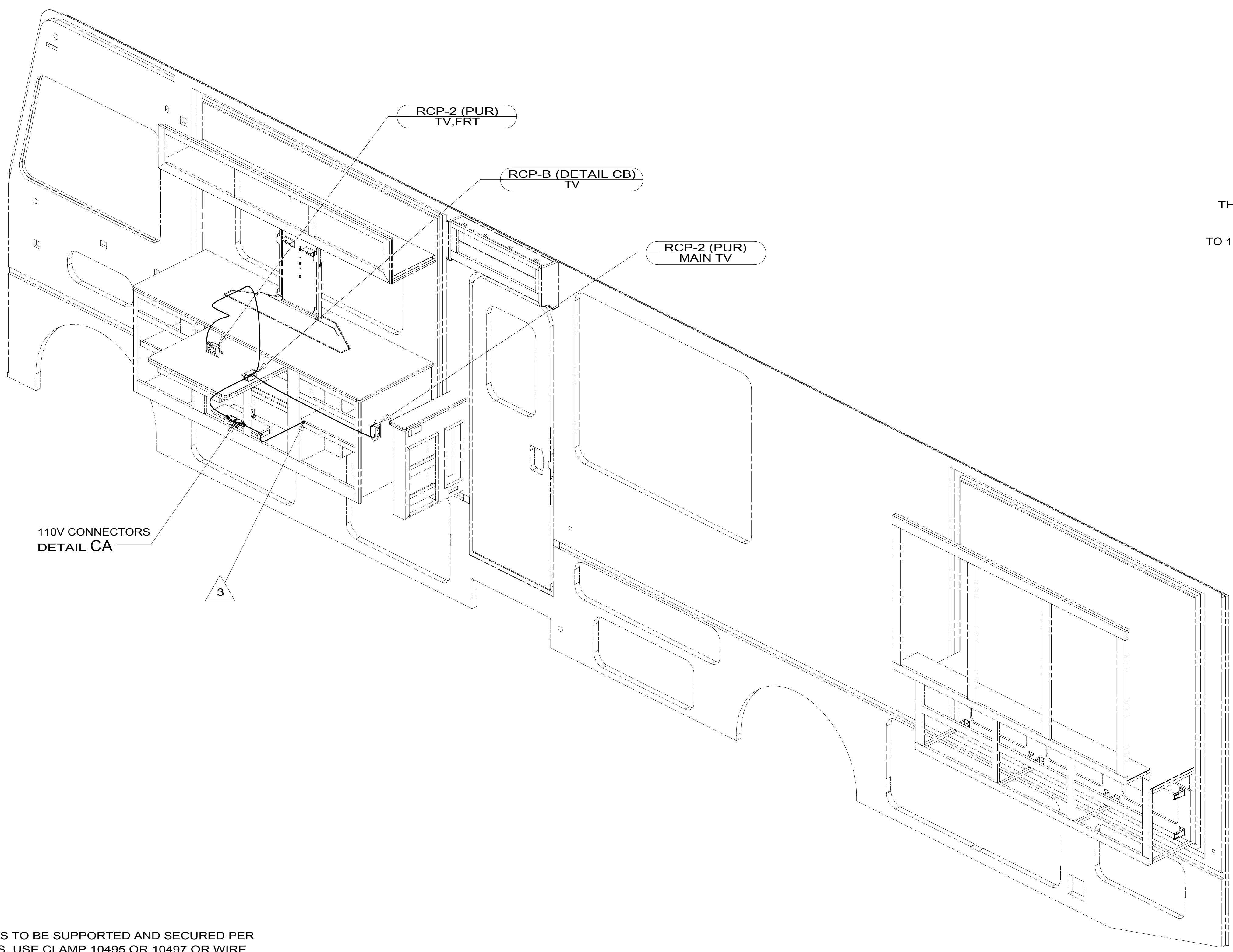
- NOTES:
- 5 SEE ENTERTAINMENT CENTER COMPLETE-TV FOR ALTERNATE LOCATION.
  - 4. AT MINIMUM ALL WIRES TO BE SUPPORTED AND SECURED PER CODE REQUIREMENTS. USE CLAMP 10495 OR 10497 OR WIRE TIE 8343 OR 108046 AND SCREW G67-XX-XXX OR G56-XX-XXX AS APPROPRIATE FOR INSTALLATION.
  - 3 WIRE ROUTED THROUGH FLOOR IN THIS AREA.
  - 2 SEE LOAD CENTER/ATS ASM FOR ADDITIONAL INFORMATION.
  - 1. WIRES ROUTED UNDER FLOOR.

FOR ELECTRICAL TORQUE SPECIFICATIONS SEE DWG NO. 128783-01-000

FOR ELECTRICAL CALLOUTS SEE DWG NO. 121339-01-000

\*188713\*





4. AT MINIMUM ALL WIRES TO BE SUPPORTED AND SECURED PER CODE REQUIREMENTS. USE CLAMP 10495 OR 10497 OR WIRE TIE 8343 OR 108046 AND SCREW G67-XX-XXX OR G56-XX-XXX AS APPROPRIATE FOR INSTALLATION.

3 WIRES ROUTE THRU FLOOR IN THIS AREA.

2 SEE LOAD CENTER/ATS INSTALLATION FOR ADDITIONAL INFORMATION.

1 WIRE ROUTED IN SIDEWALL.

NOTES:

FOR ELECTRICAL TORQUE SPECIFICATIONS SEE DWG NO. 128783-01-000

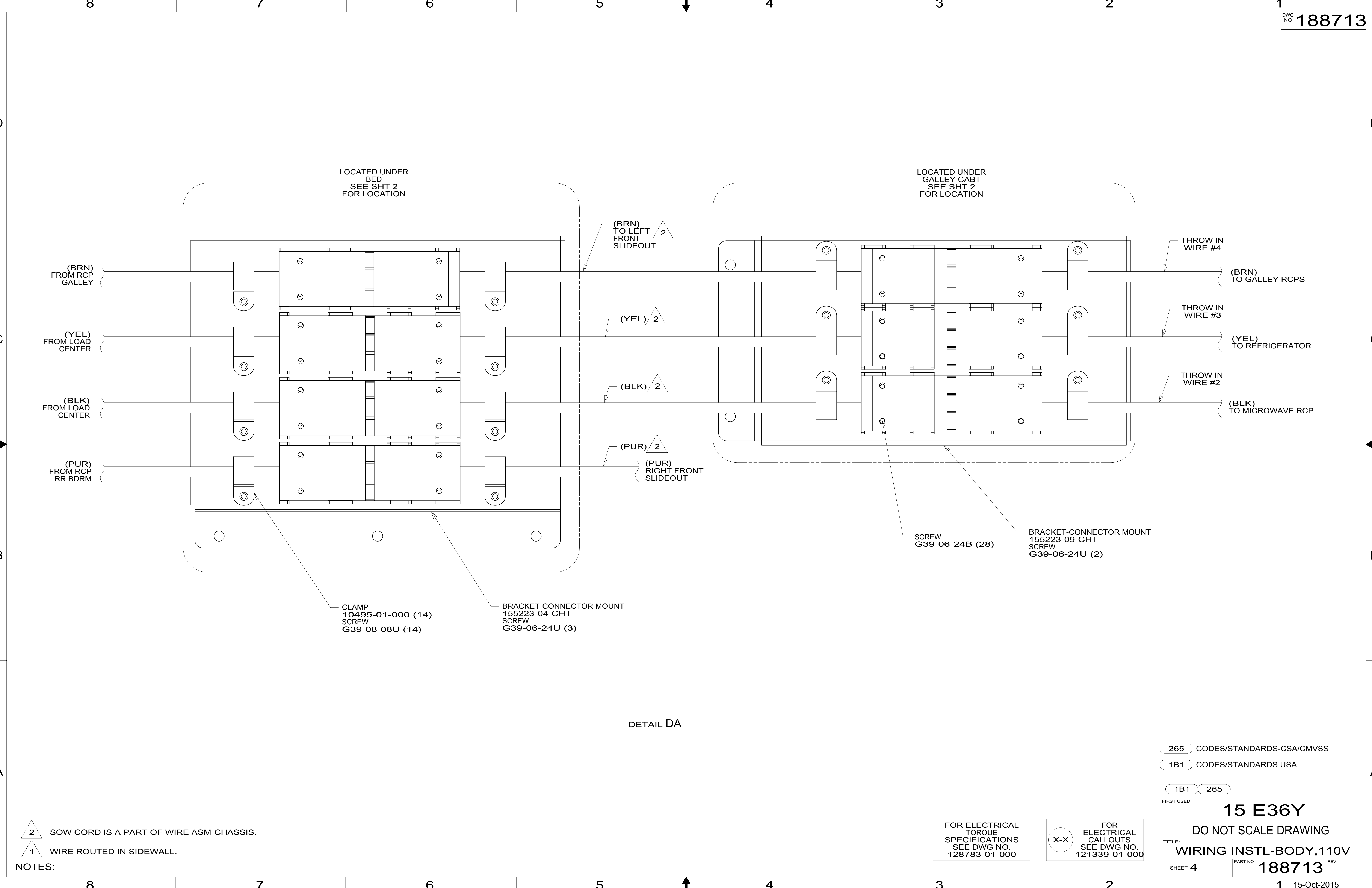
FOR ELECTRICAL CALLOUTS SEE DWG NO. 121339-01-000

265 CODES/STANDARDS-CSA/CMVSS  
1B1 CODES/STANDARDS USA

1B1 265

FIRST USED	
<b>15 E36Y</b>	
DO NOT SCALE DRAWING	
TITLE: <b>WIRING INSTL-BODY, 110V</b>	
SHEET 3	PART NO. <b>188713</b> REV

\*188713 \*A



2 SOW CORD IS A PART OF WIRE ASM-CHASSIS.

1 WIRE ROUTED IN SIDEWALL.

NOTES:

FOR ELECTRICAL TORQUE SPECIFICATIONS SEE DWG NO. 128783-01-000

FOR ELECTRICAL CALLOUTS SEE DWG NO. 121339-01-000

265 CODES/STANDARDS-CSA/CMVSS

1B1 CODES/STANDARDS USA

1B1 265

FIRST USED	
<b>15 E36Y</b>	
DO NOT SCALE DRAWING	
TITLE: <b>WIRING INSTL-BODY, 110V</b>	
SHEET 4	PART NO. <b>188713</b> REV

\*188713 \*A

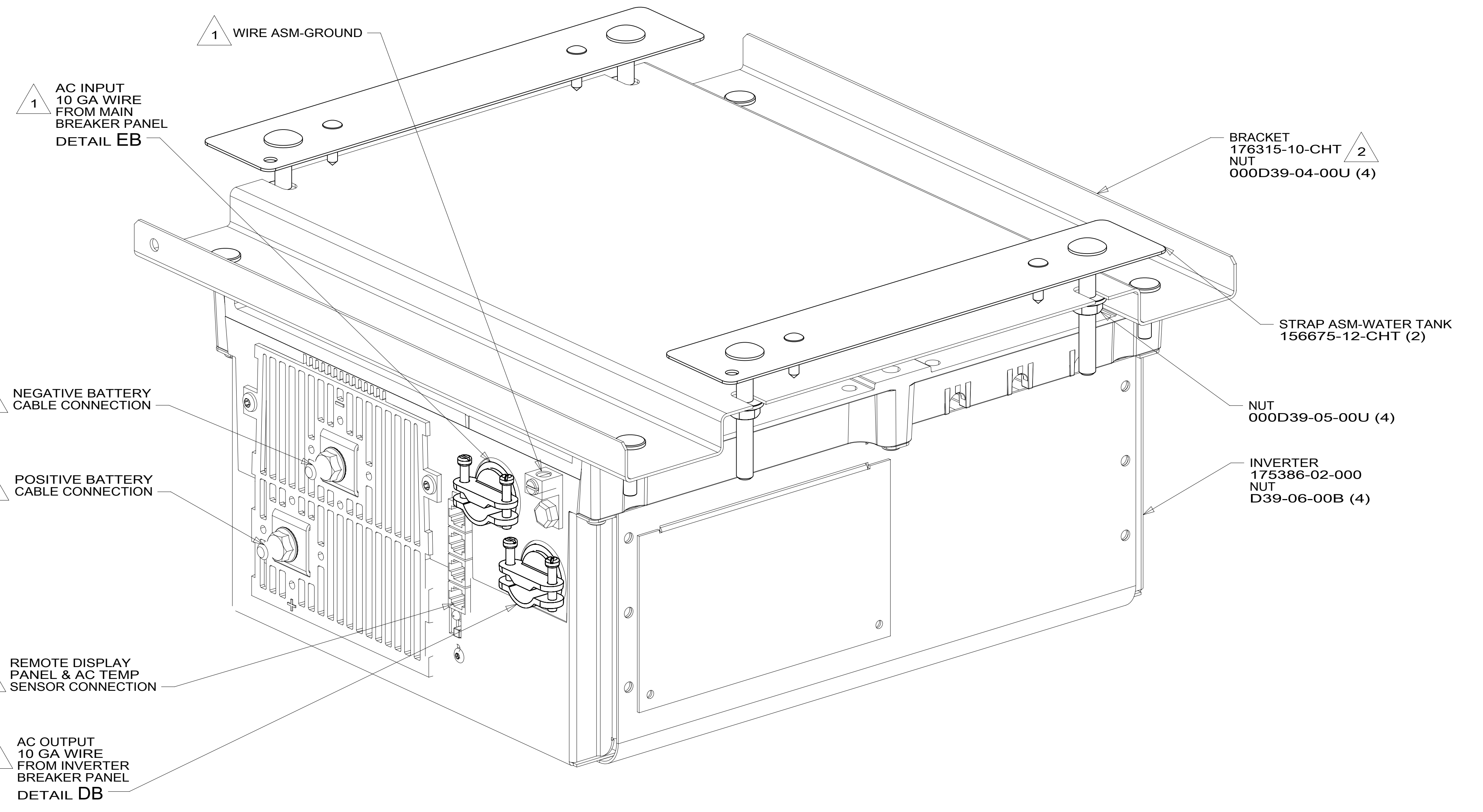
8 7 6 5 4 3 2 1

D

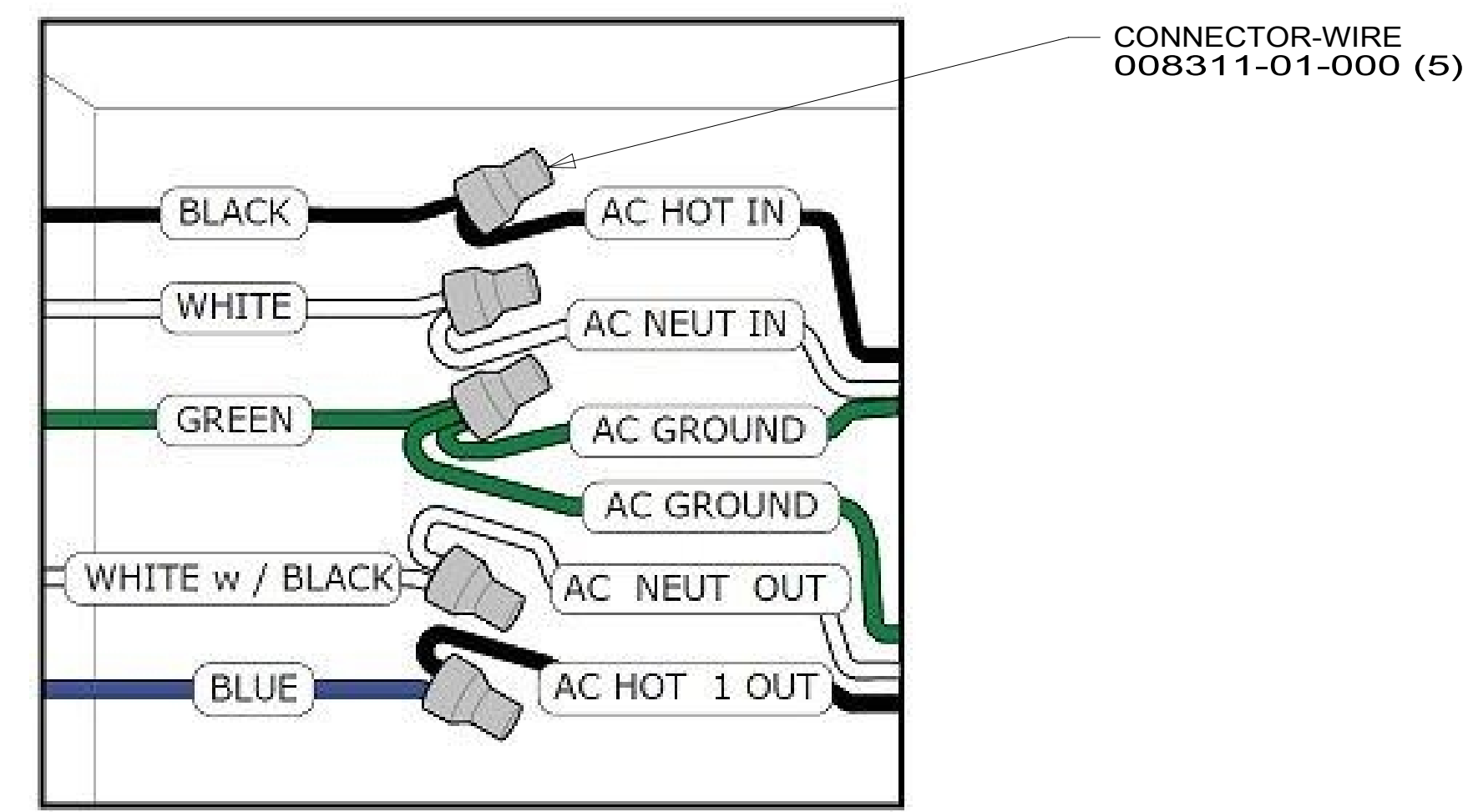
C

B

A



DETAIL EA



DETAIL EB

- NOTES:
- 6 DO NOT USE POWER/AIR TOOL TO INSTALL NUT. TORQUE TO 10-12 FT LBS.
  - 5 CABLES PART OF WIRE ASM-COACH.
  - 4 SEE INVERTER/CHARGER OWNER'S MANUAL FOR ADDITIONAL INFORMATION.
  - 3 SEE WIRING INSTL-CHASSIS FOR ADDITIONAL INFORMATION.
  - 2 BRACKET IS LOCATED BY HOLES ON BRACKET.
  - 1 SEE LOAD CENTER/ATS ASM FOR ADDITIONAL INFORMATION.

FOR ELECTRICAL  
TORQUE  
SPECIFICATIONS  
SEE DWG NO.  
128783-01-000

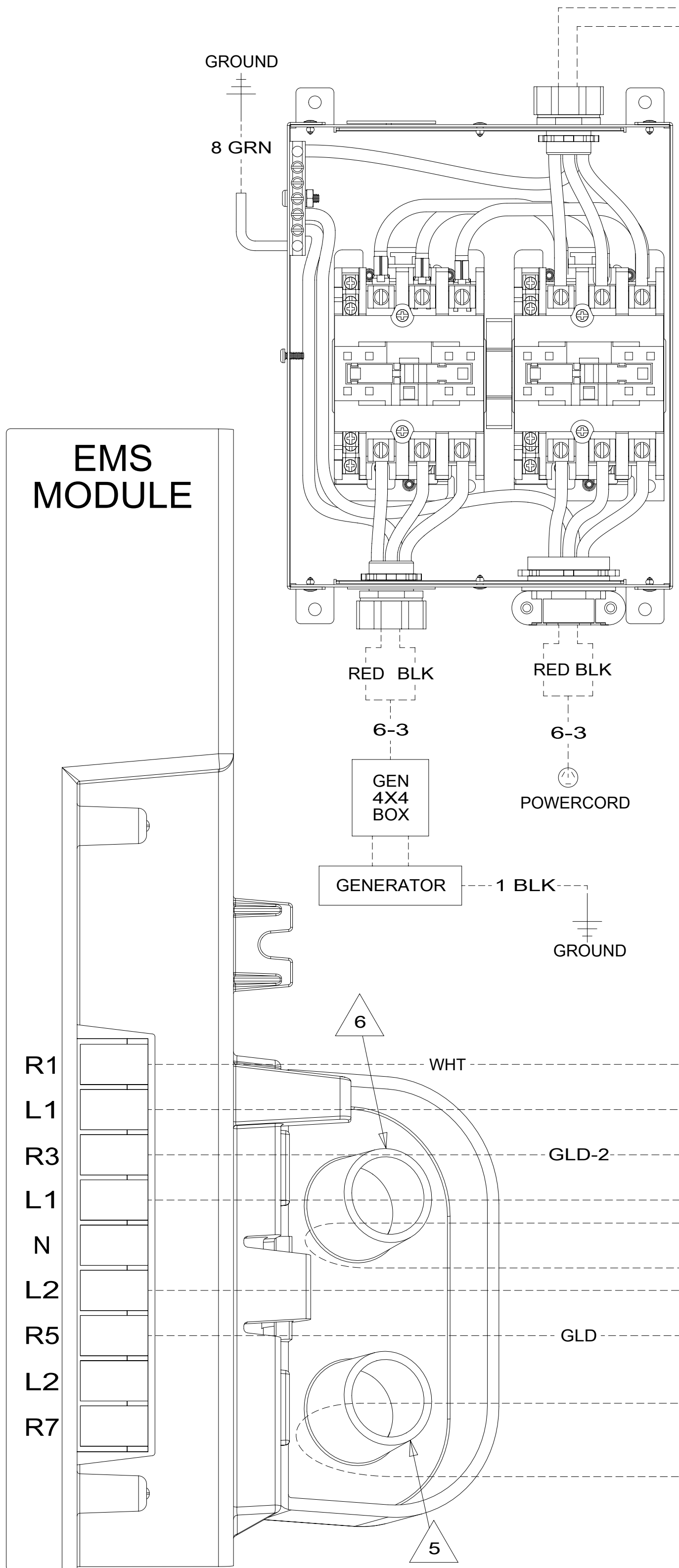
FOR  
ELECTRICAL  
CALLOUTS  
SEE DWG NO.  
121339-01-000

265	CODES/STANDARDS-CSA/CMVSS
1B1	CODES/STANDARDS USA
1B1	265
FIRST USED	
<b>15 E36Y</b>	
DO NOT SCALE DRAWING	
TITLE: <b>WIRING INSTL-BODY, 110V</b>	
SHEET 5	PART NO <b>188713</b> REV
1 15-Oct-2015	

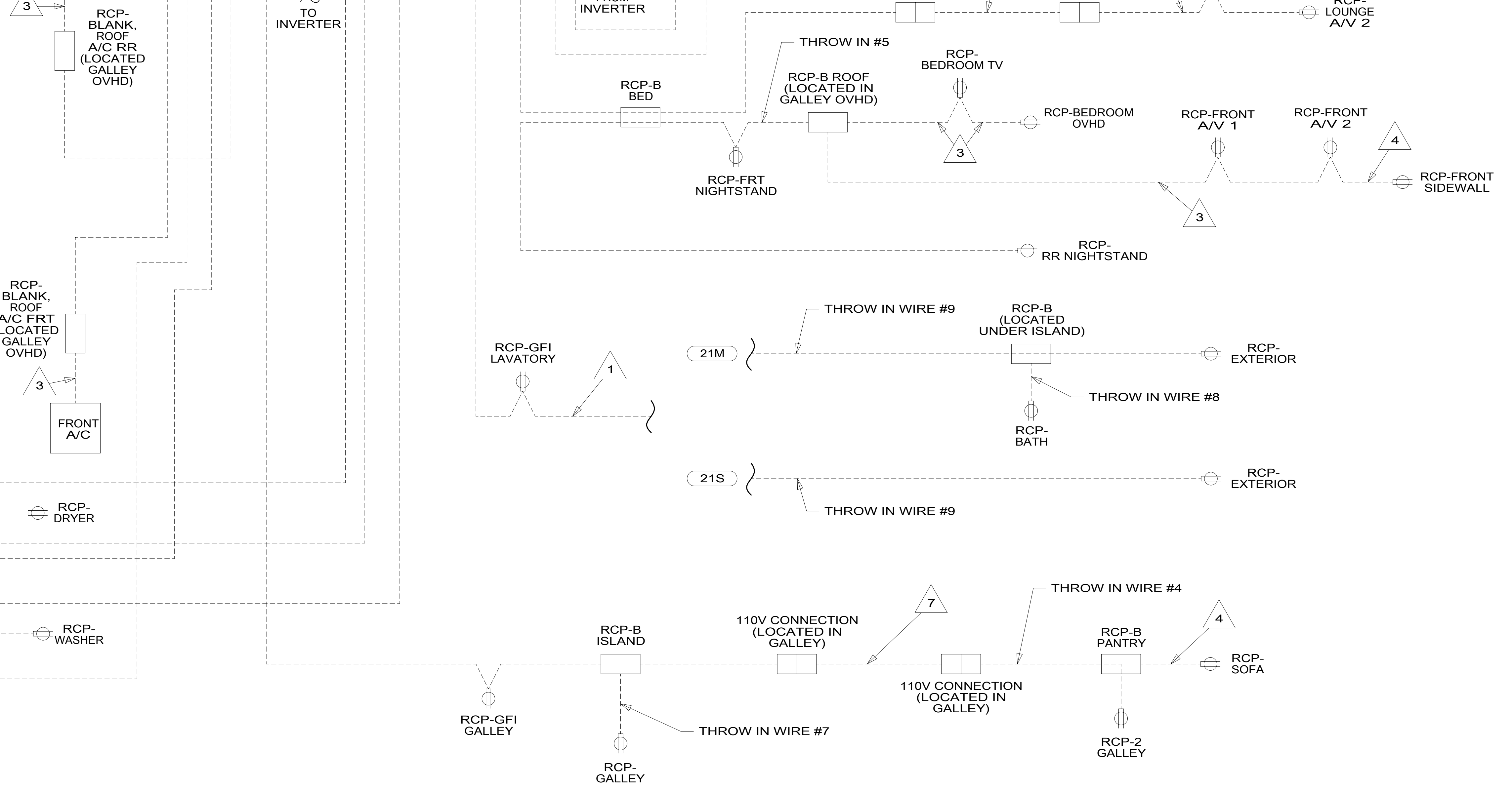
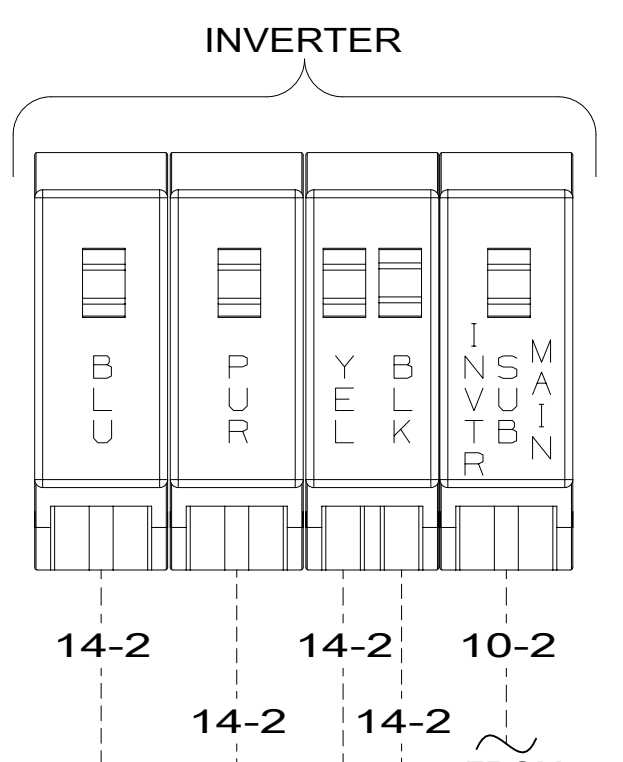
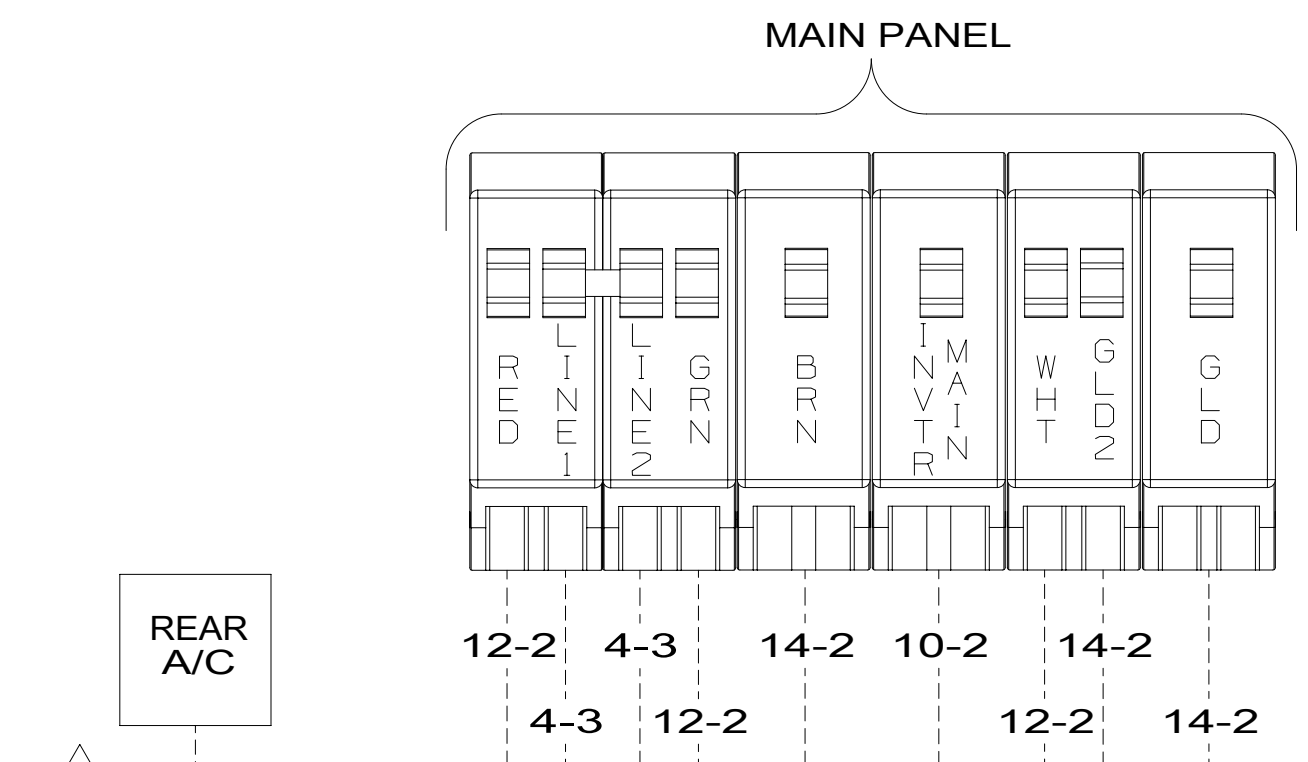
8 7 6 5 4 3 2 1

\*188713 \*A

EMS MODULE



- NOTES:
- 7 WIRES ARE PART OF WIRE ASM-CHASSIS.
  - 6 LINE 2 (RED) ROUTED THRU THIS CURRENT SENSOR
  - 5 LINE 1 (BLK) ROUTED THRU THIS CURRENT SENSOR
  - 4 WIRE IN SIDEWALL
  - 3 WIRE ROUTED IN ROOF.
  - 2 WIRE ROUTED THRU SIDEWALL.
  - 1 ALL OUTLETS DOWN STREAM AND INCLUDING THIS OUTLET ARE GROUND GAULT INTERRUPT PROTECTED.



- 21S WASHER & DRYER-PAIR
- 21M WASHER/DRYER PREP
- 265 CODES/STANDARDS-CSA/CMVSS
- 1B1 CODES/STANDARDS USA

FIRST USED	
<b>15 E36Y</b>	
DO NOT SCALE DRAWING	
TITLE: <b>WIRING INSTL-BODY, 110V</b>	
SHEET 6	PART NO <b>188713</b> REV
15-Oct-2015	

FOR ELECTRICAL TORQUE SPECIFICATIONS SEE DWG NO. 128783-01-000

FOR ELECTRICAL CALLOUTS SEE DWG NO. 121339-01-000

\*188713 \*A