



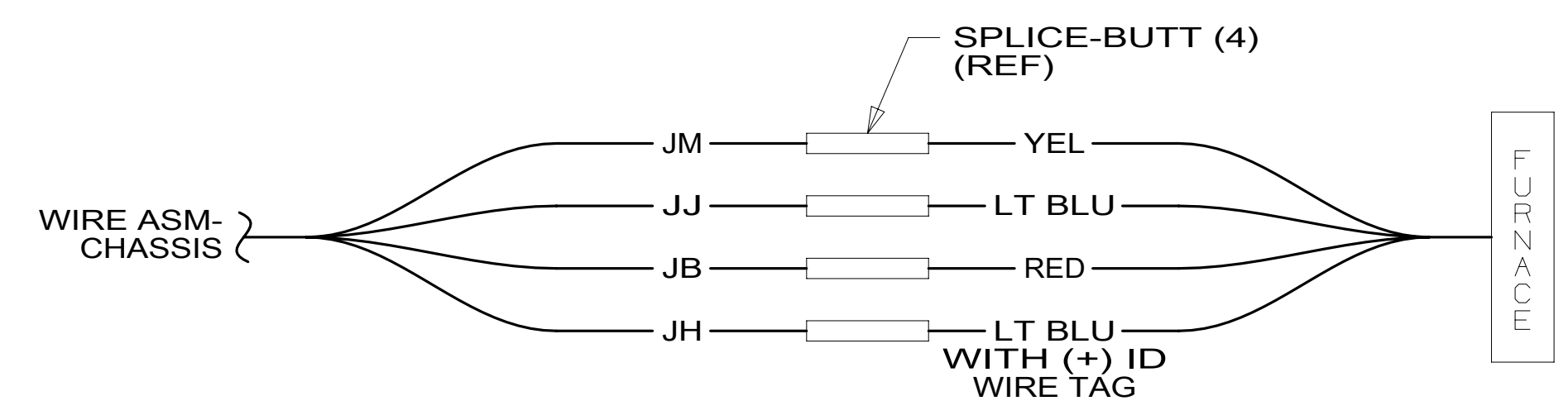
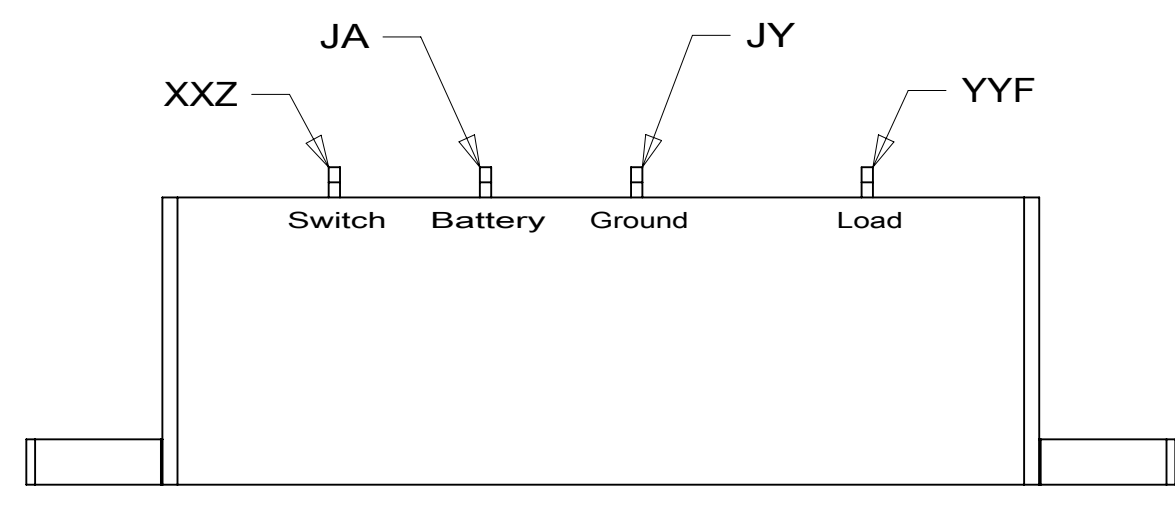
**DANGER**

**Danger of electrical shock, burns or death.** Always remove all power sources before attempting any repair, service or diagnostic work. Power can be present from shore power, generator, inverter or battery. All power sources must be disabled and secured before performing any service.



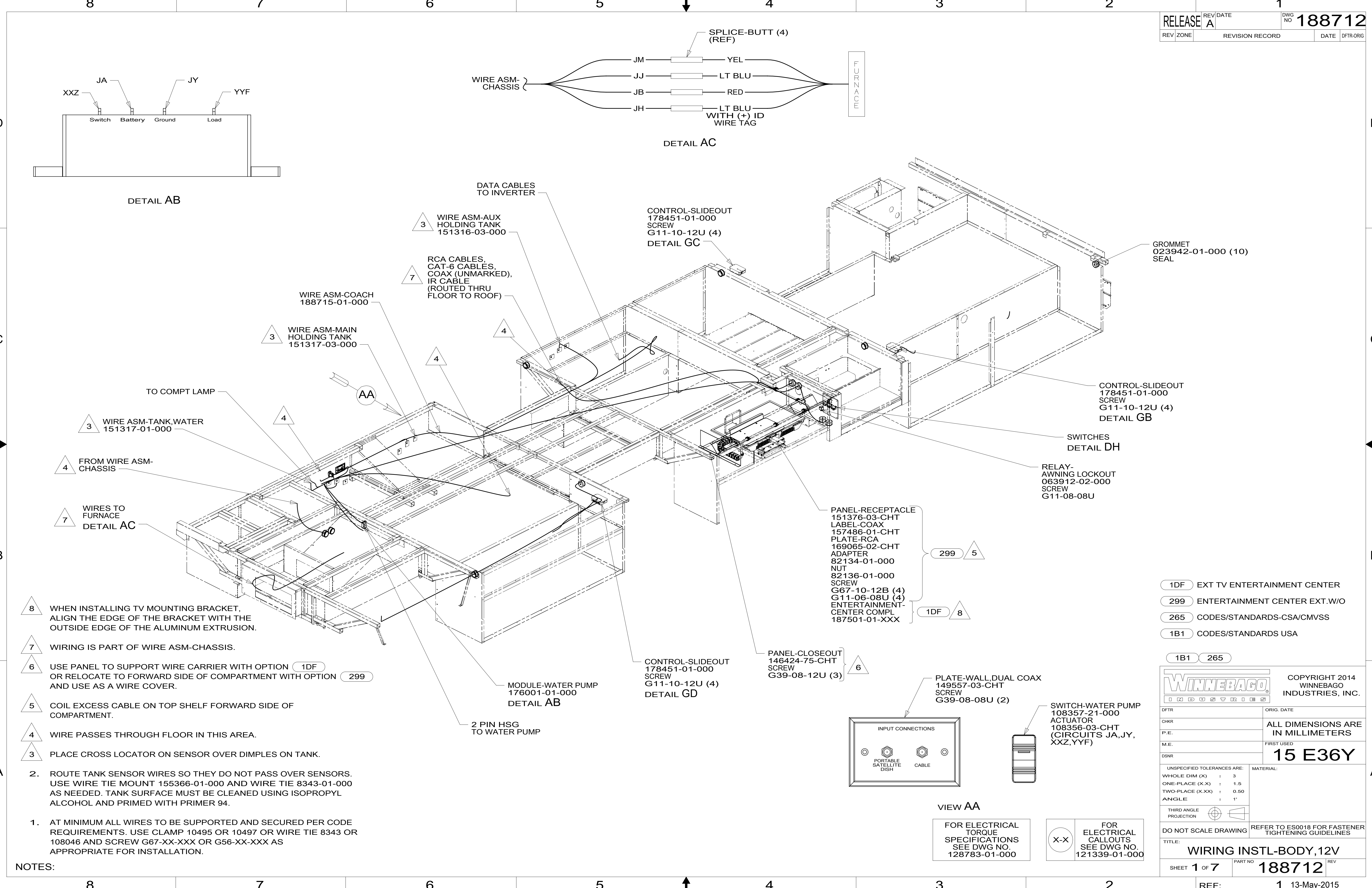
**CAUTION**

If you lack the skills, tools or equipment to perform diagnostic or repair work leave such work to an authorized Winnebago Industries dealer or other qualified shop.



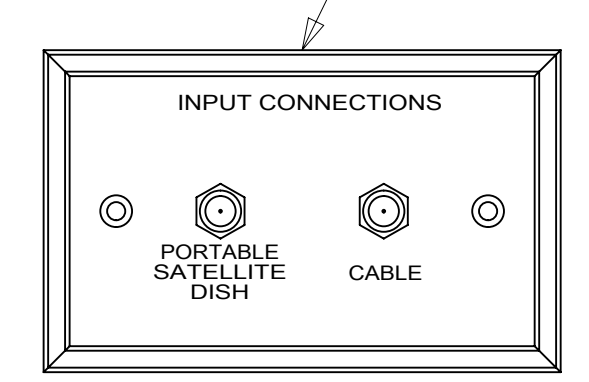
DETAIL AB

DETAIL AC



- NOTES:
1. AT MINIMUM ALL WIRES TO BE SUPPORTED AND SECURED PER CODE REQUIREMENTS. USE CLAMP 10495 OR 10497 OR WIRE TIE 8343 OR 108046 AND SCREW G67-XX-XXX OR G56-XX-XXX AS APPROPRIATE FOR INSTALLATION.
  2. ROUTE TANK SENSOR WIRES SO THEY DO NOT PASS OVER SENSORS. USE WIRE TIE MOUNT 155366-01-000 AND WIRE TIE 8343-01-000 AS NEEDED. TANK SURFACE MUST BE CLEANED USING ISOPROPYL ALCOHOL AND PRIMED WITH PRIMER 94.
- 8 WHEN INSTALLING TV MOUNTING BRACKET, ALIGN THE EDGE OF THE BRACKET WITH THE OUTSIDE EDGE OF THE ALUMINUM EXTRUSION.
- 7 WIRING IS PART OF WIRE ASM-CHASSIS.
- 6 USE PANEL TO SUPPORT WIRE CARRIER WITH OPTION 1DF OR RELOCATE TO FORWARD SIDE OF COMPARTMENT WITH OPTION 299 AND USE AS A WIRE COVER.
- 5 COIL EXCESS CABLE ON TOP SHELF FORWARD SIDE OF COMPARTMENT.
- 4 WIRE PASSES THROUGH FLOOR IN THIS AREA.
- 3 PLACE CROSS LOCATOR ON SENSOR OVER DIMPLES ON TANK.

- 1DF EXT TV ENTERTAINMENT CENTER
- 299 ENTERTAINMENT CENTER EXT. W/O
- 265 CODES/STANDARDS-CSA/CMVSS
- 1B1 CODES/STANDARDS USA



VIEW AA

FOR ELECTRICAL TORQUE SPECIFICATIONS SEE DWG NO. 128783-01-000

FOR ELECTRICAL CALLOUTS SEE DWG NO. 121339-01-000

WINNEBAGO COPYRIGHT 2014 WINNEBAGO INDUSTRIES, INC.

ALL DIMENSIONS ARE IN MILLIMETERS

15 E36Y

UNSPECIFIED TOLERANCES ARE:  
 WHOLE DIM (X) : 3  
 ONE-PLACE (X.X) : 1.5  
 TWO-PLACE (X.XX) : 0.50  
 ANGLE : 1°

THIRD ANGLE PROJECTION

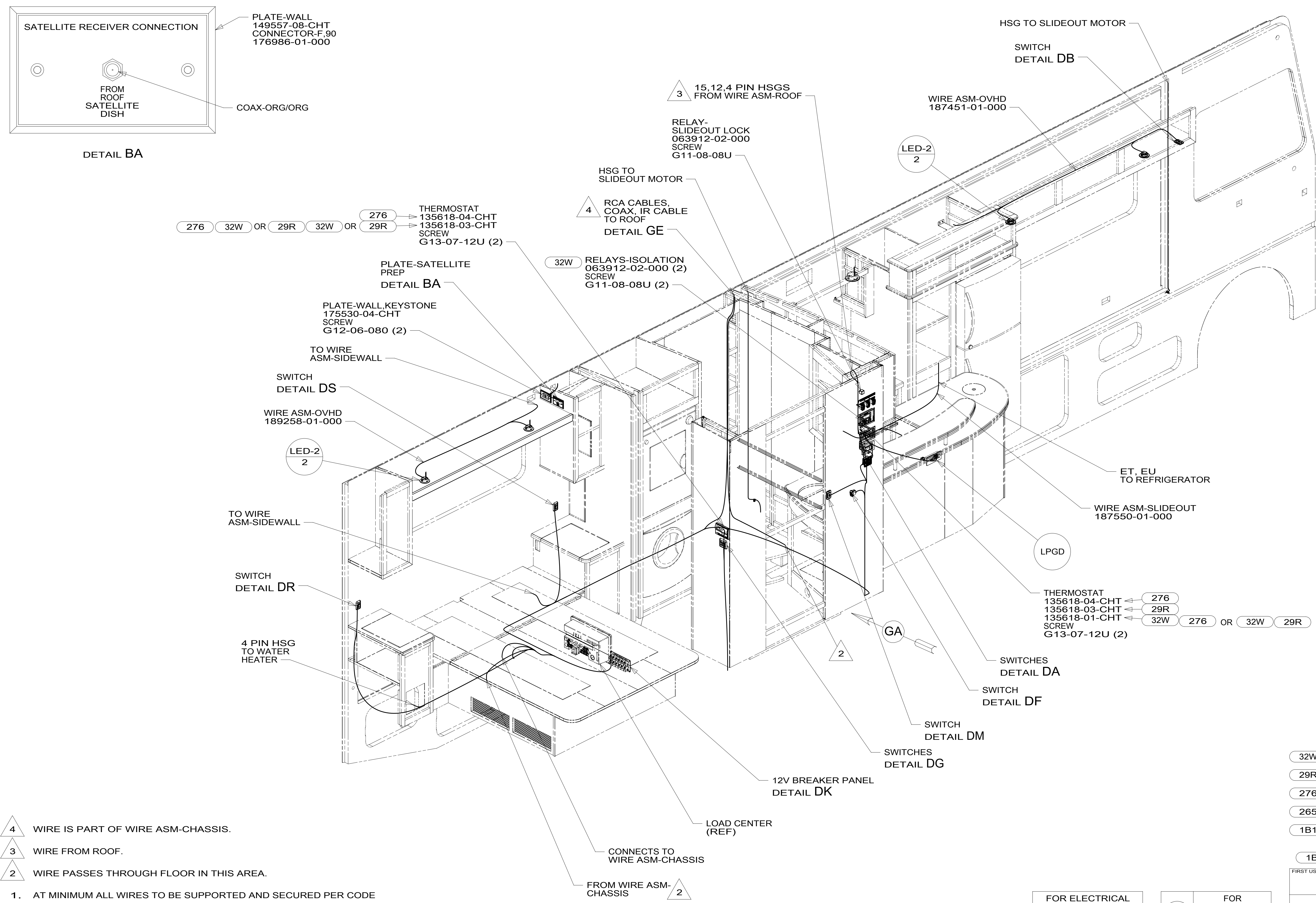
DO NOT SCALE DRAWING REFER TO ES0018 FOR FASTENER TIGHTENING GUIDELINES

TITLE: WIRING INSTL-BODY, 12V

SHEET 1 OF 7 PART NO 188712 REV

REF: 1 13-May-2015

\*188712\*



- 4 WIRE IS PART OF WIRE ASM-CHASSIS.
- 3 WIRE FROM ROOF.
- 2 WIRE PASSES THROUGH FLOOR IN THIS AREA.

1. AT MINIMUM ALL WIRES TO BE SUPPORTED AND SECURED PER CODE REQUIREMENTS. USE CLAMP 10495 OR 10497 OR WIRE TIE 8343 OR 108046 AND SCREW G67-XX-XXX OR G56-XX-XXX AS APPROPRIATE FOR INSTALLATION.

NOTES:

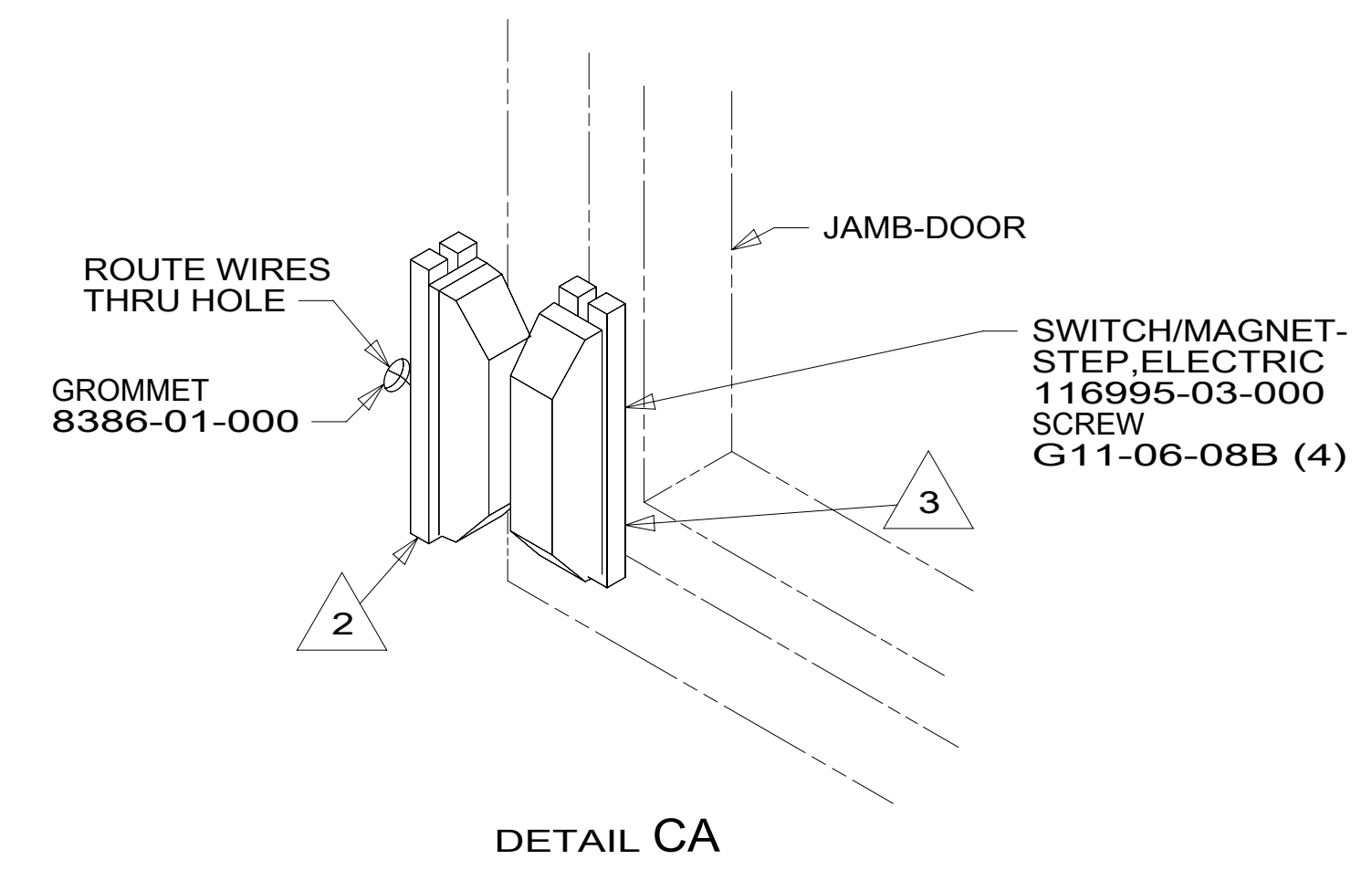
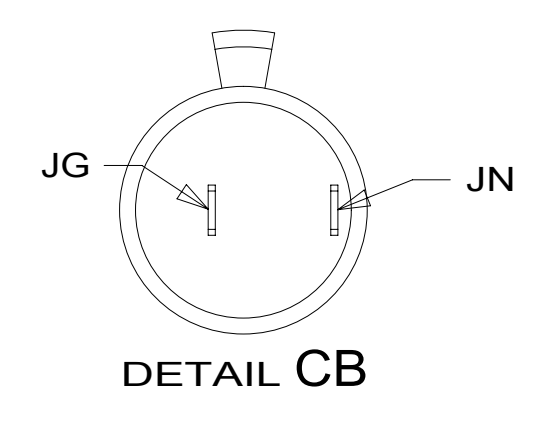
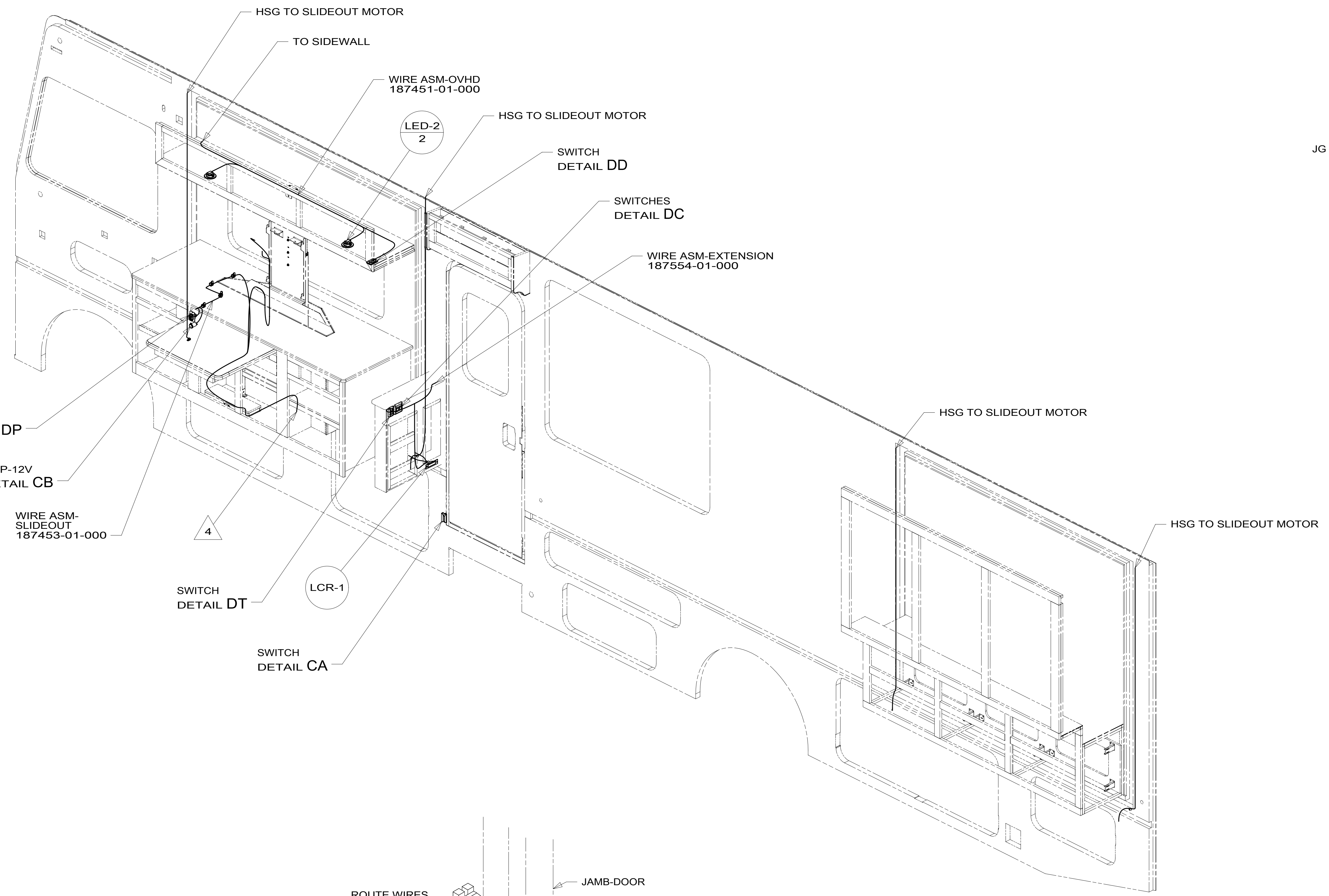
- 32W GENERATOR-START,AUTO SYSTEM
- 29R AC HEAT PUMP-2 HI EFFICIENCY
- 276 A/C ROOF-HI EFF (2) W/EMS
- 265 CODES/STANDARDS-CSA/CMVSS
- 1B1 CODES/STANDARDS USA

FIRST USED	
<b>15 E36Y</b>	
DO NOT SCALE DRAWING	
TITLE: <b>WIRING INSTL-BODY, 12V</b>	
SHEET 2	PART NO <b>188712</b> REV

FOR ELECTRICAL TORQUE SPECIFICATIONS SEE DWG NO. 128783-01-000

FOR ELECTRICAL CALLOUTS SEE DWG NO. 121339-01-000

\*188712\*



- 4 WIRE PASSES THROUGH FLOOR IN THIS AREA.
- 3 MOUNT MAGNET USING PILOT HOLES IN SCREEN DOOR FRAME, MOUNT WITH MAGNET TOWARD SWITCH.
- 2 MOUNT SWITCH AND SPACER TO BLOCK ON JAMB, ADJUST HEIGHT TO MATCH MAGNET.
1. AT MINIMUM ALL WIRES TO BE SUPPORTED AND SECURED PER CODE REQUIREMENTS. USE CLAMP 10495 OR 10497 OR WIRE TIE 8343 OR 108046 AND SCREW G67-XX-XXX OR G56-XX-XXX AS APPROPRIATE FOR INSTALLATION.

NOTES:

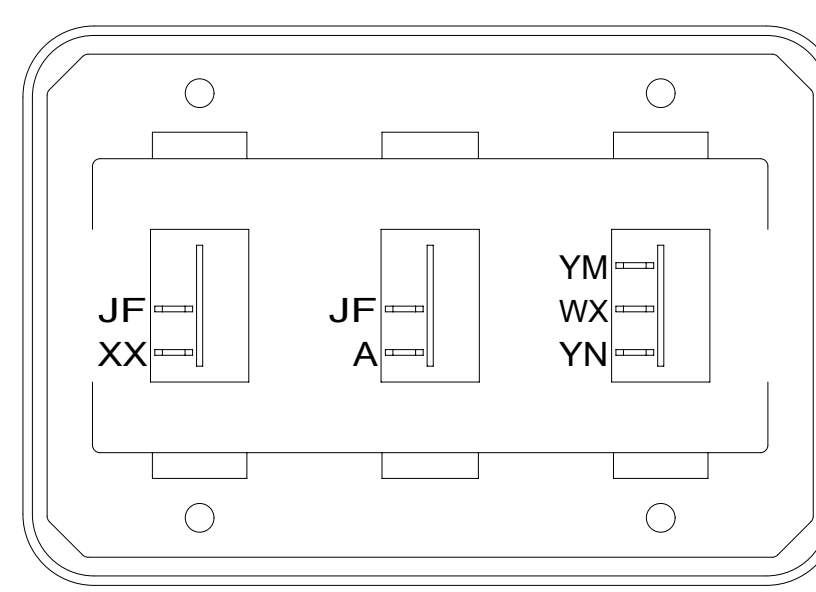
FOR ELECTRICAL TORQUE SPECIFICATIONS SEE DWG NO. 128783-01-000

FOR ELECTRICAL CALLOUTS SEE DWG NO. 121339-01-000

- 265 CODES/STANDARDS-CSA/CMVSS
- 1B1 CODES/STANDARDS USA
- 1B1 265

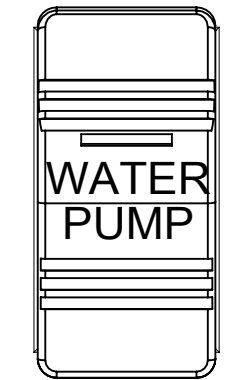
FIRST USED		<b>15 E36Y</b>	
<b>DO NOT SCALE DRAWING</b>			
<b>TITLE: WIRING INSTL-BODY, 12V</b>			
SHEET 3	PART NO	<b>188712</b>	REV
			1 13-May-2015

\*188712 \*A



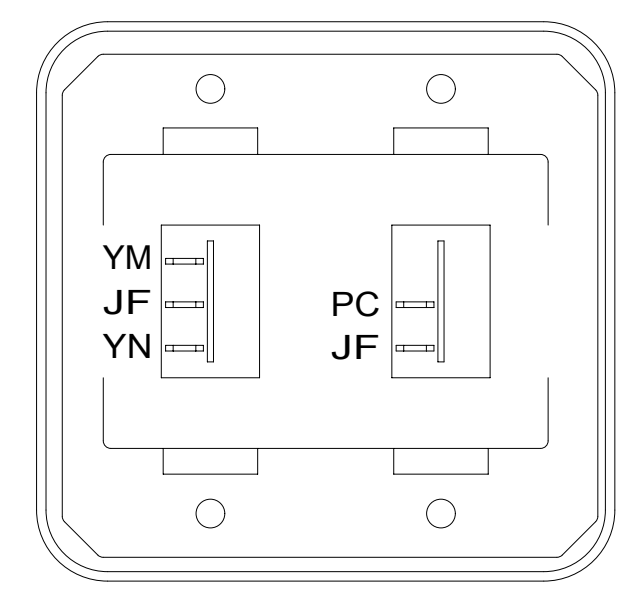
SWITCH-ROCKER  
135740-01-CHT (2)  
135740-02-CHT  
SWITCH-BASE  
135741-03-CHT  
SWITCH-BEZEL  
135742-03-CHT  
SCREW  
G11-08-08U (4)

DETAIL DA



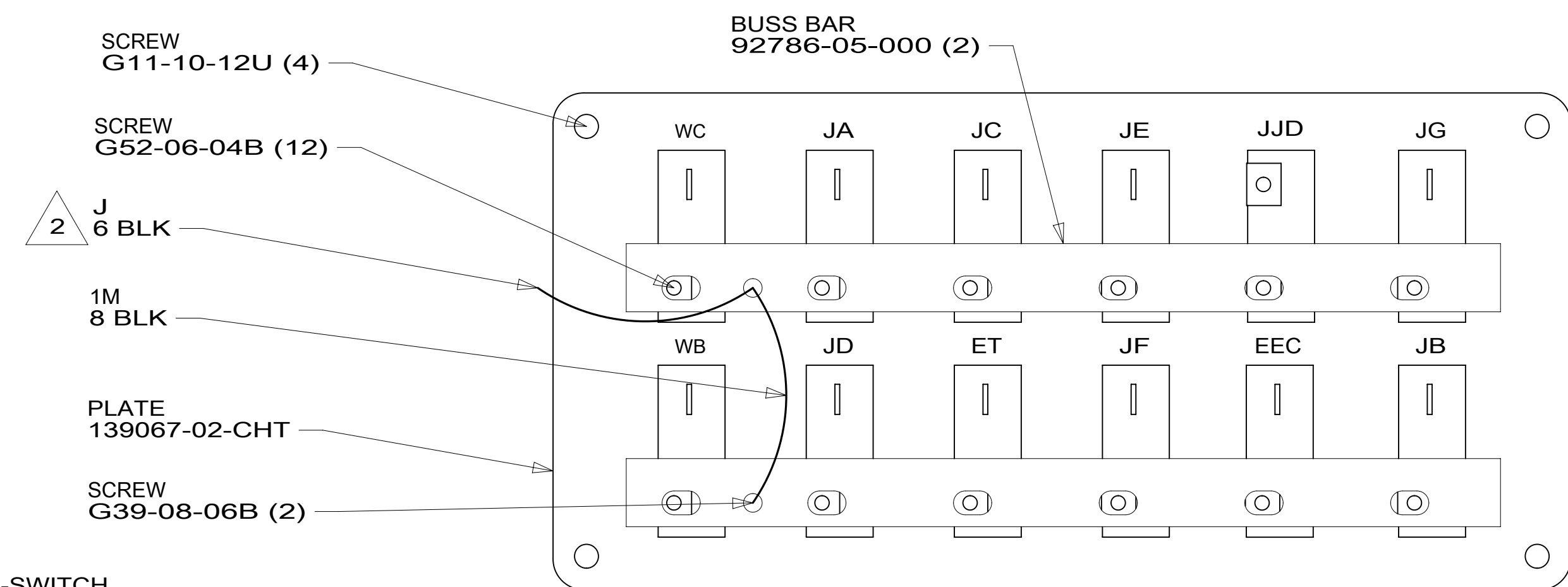
SWITCH-PUMP  
108357-21-000  
ACTUATOR  
108356-23-CHT

DETAIL DF



SWITCH-ROCKER  
135740-01-CHT  
135740-02-CHT  
SWITCH-BASE  
135741-02-CHT  
SWITCH-BEZEL  
135742-02-CHT  
SCREW  
G11-08-08U (4)

DETAIL DG



SCREW  
G11-10-12U (4)  
SCREW  
G52-06-04B (12)  
J  
6 BLK  
1M  
8 BLK  
PLATE  
139067-02-CHT  
SCREW  
G39-08-06B (2)

BUSS BAR  
92786-05-000 (2)

DETAIL DK  
(BACK VIEW)

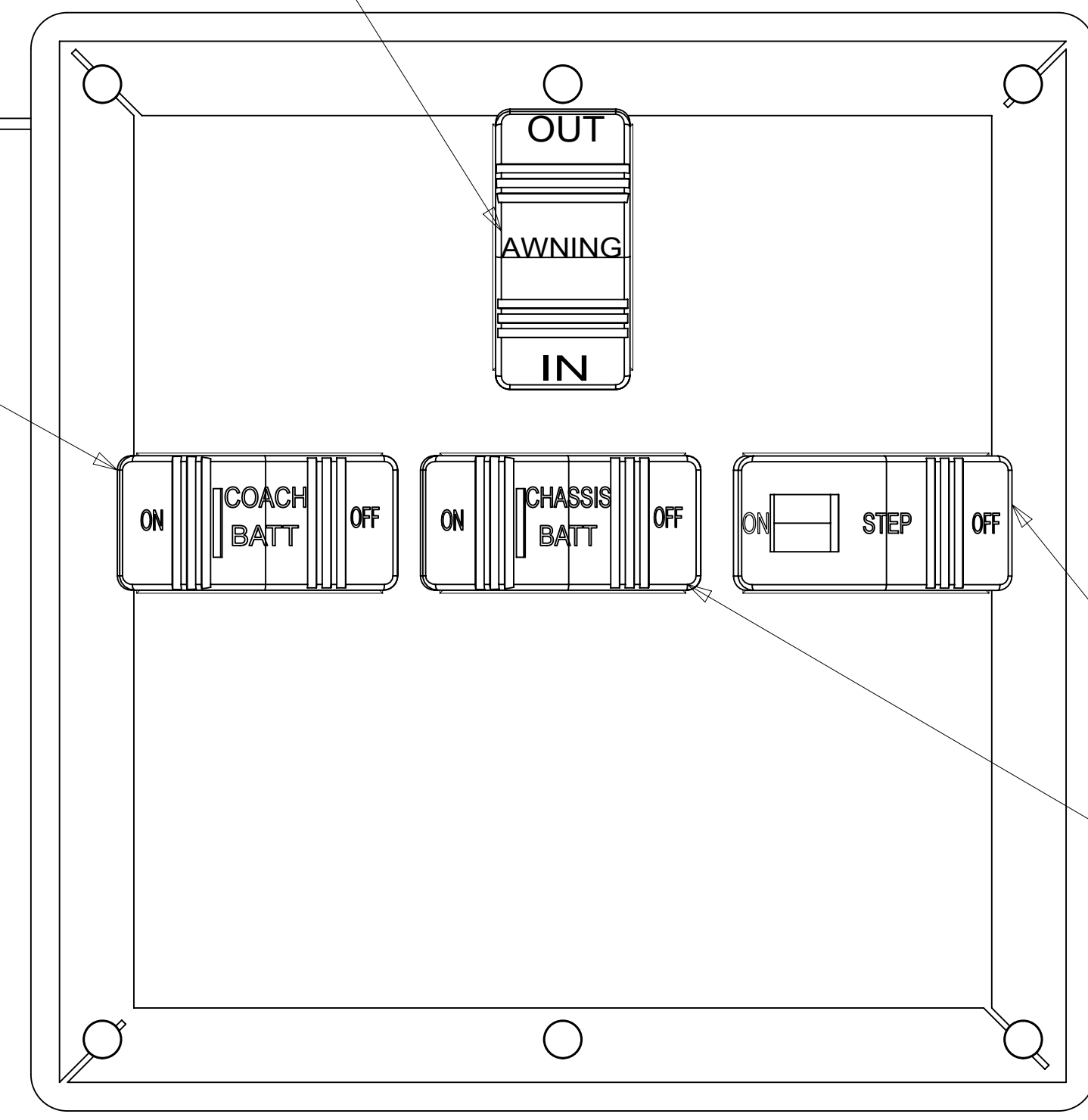


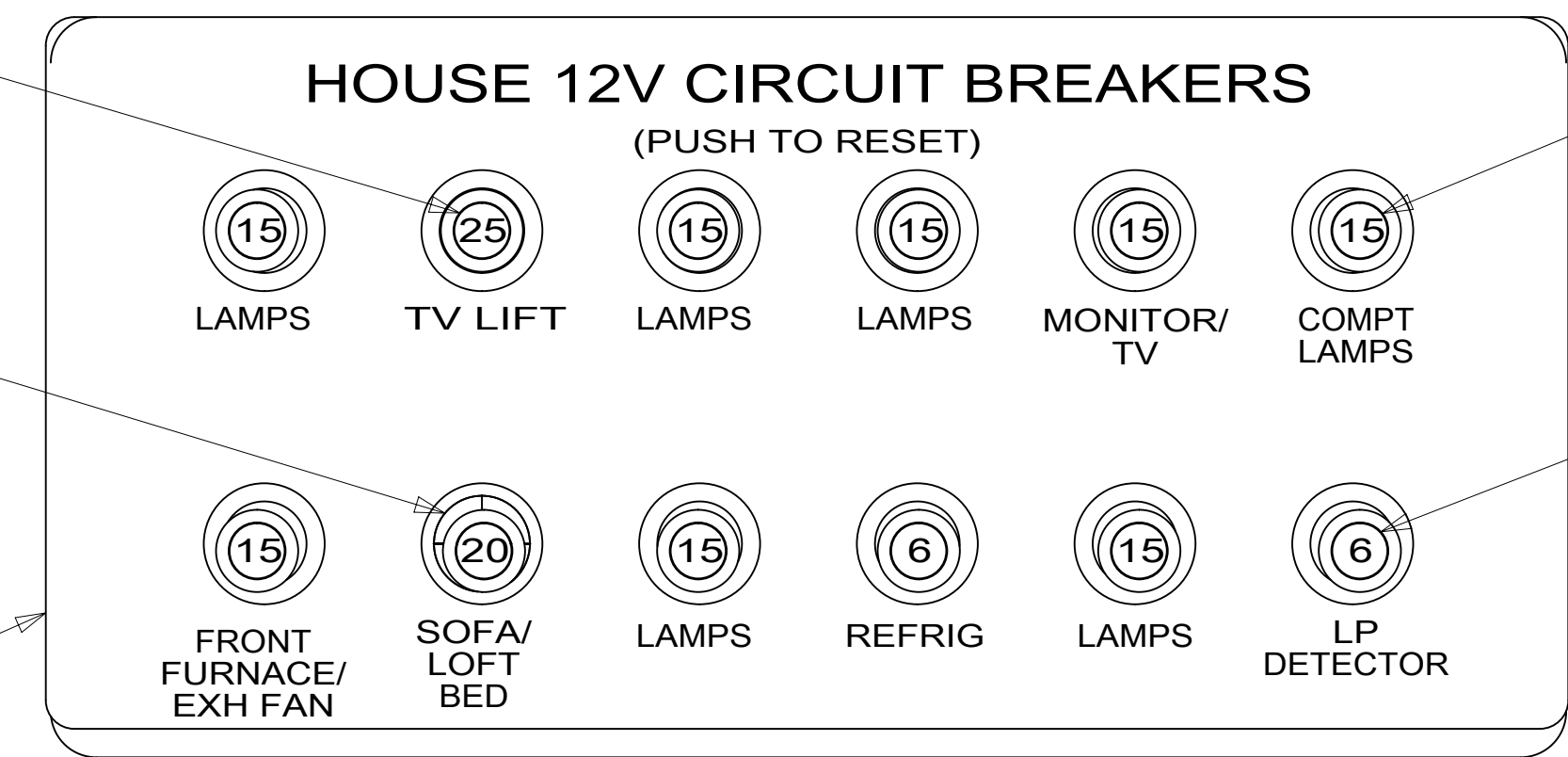
PLATE-SWITCH  
158431-29-CHT  
SEAL-FUSE BOX  
092492-25-000  
SCREW  
000G11-06-10U (6)

SWITCH-STEP  
108357-19-000  
CIRCUITS ER,ES

SWITCH-CHASSIS BATTERY  
108357-18-000  
ACTUATOR-SWITCH  
108356-20-CHT  
CIRCUITS TTY,TTZ,MK,  
UUB,UUC  
WIRE ASM-THERMISTOR  
186796-01-000

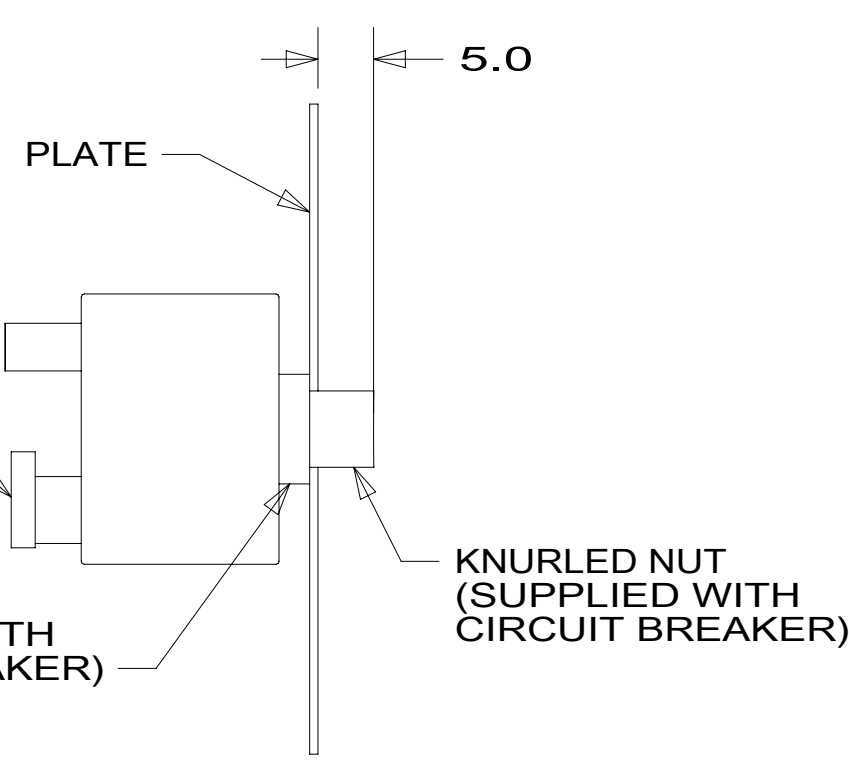
CIRCUIT BREAKER  
93655-01-000  
SCREW  
G52-06-04B  
WASHER  
OME02B

PLUG  
81211-06-000  
CIRCUIT BREAKER  
93654-03-000

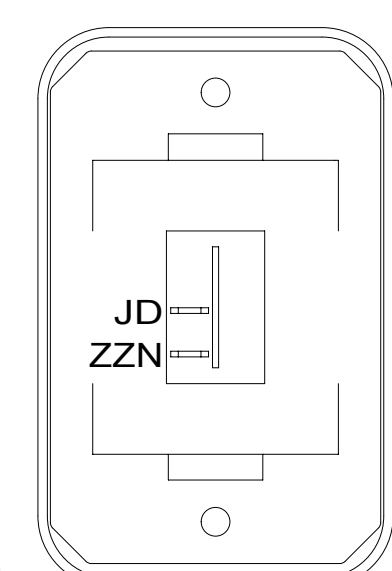


CIRCUIT BREAKER  
93654-02-000 (8)

CIRCUIT BREAKER  
93654-01-000 (2)

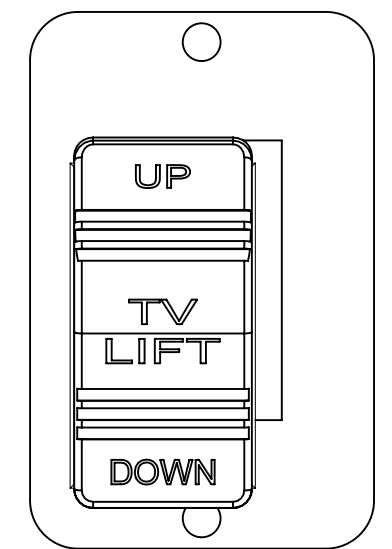


DETAIL DL



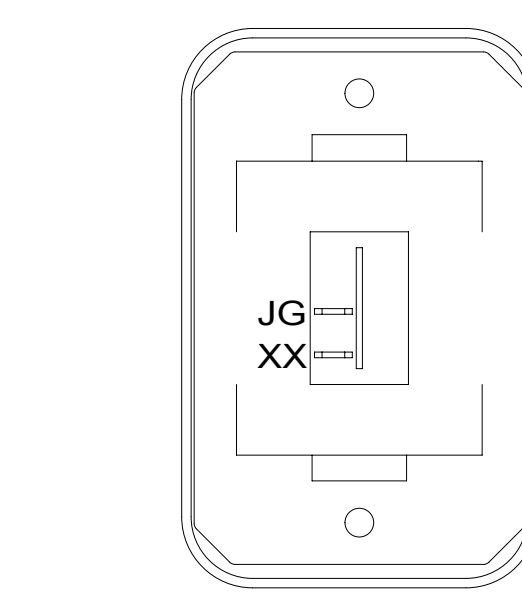
SWITCH-ROCKER  
135740-01-CHT  
SWITCH-BASE  
135741-01-CHT  
SWITCH-BEZEL  
135742-01-CHT  
SCREW  
G11-08-08U (2)

DETAIL DR



SWITCH-TV LIFT  
108357-06-000  
ACTUATOR  
108356-26-CHT  
PLATE  
144363-02-CHT

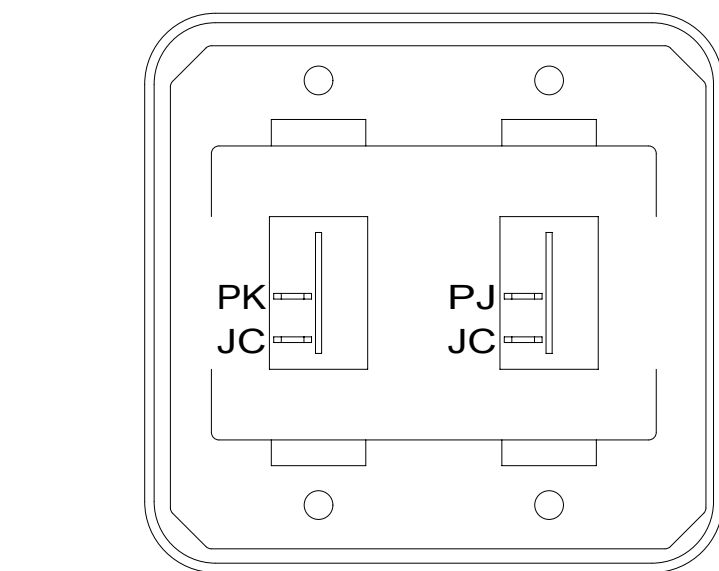
DETAIL DP



SWITCH-ROCKER  
135740-01-CHT  
SWITCH-BASE  
135741-01-CHT  
SWITCH-BEZEL  
135742-01-CHT  
SCREW  
G11-08-08U (2)

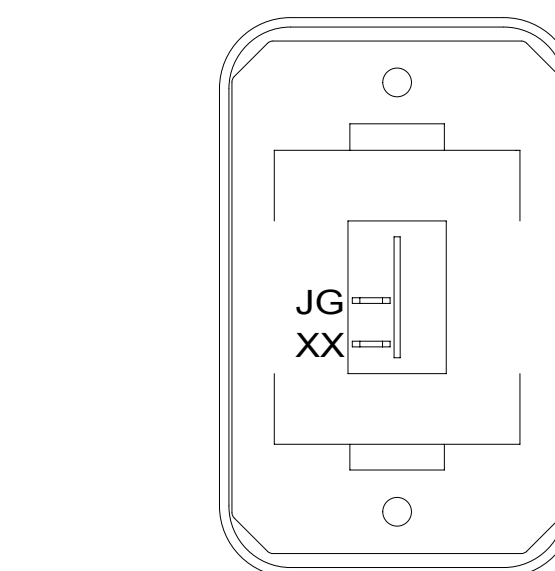
DETAIL DB

SWITCH-COACH BATT  
108357-18-000  
ACTUATOR-SWITCH  
108356-19-CHT  
CIRCUITS KF,LJ,LG,  
LH,WC  
WIRE ASM-THERMISTOR  
186796-01-000



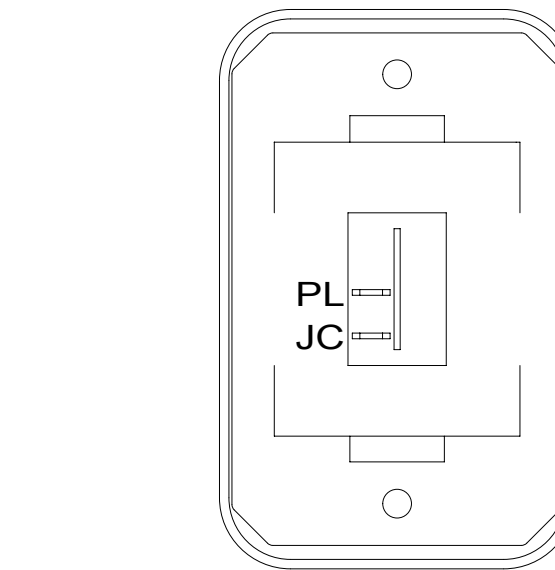
SWITCH-ROCKER  
135740-01-CHT (2)  
SWITCH-BASE  
135741-02-CHT  
SWITCH-BEZEL  
135742-02-CHT  
SCREW  
G11-08-08U (4)

DETAIL DC



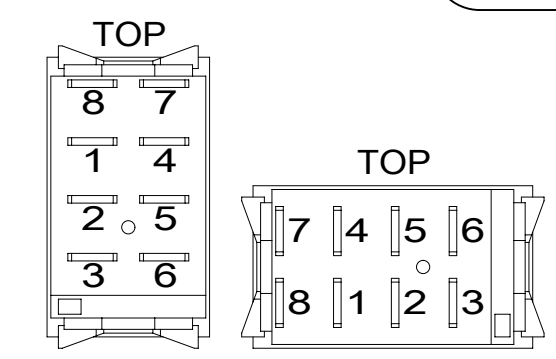
SWITCH-ROCKER  
135740-01-CHT  
SWITCH-BASE  
135741-01-CHT  
SWITCH-BEZEL  
135742-01-CHT  
SCREW  
G11-08-08U (2)

DETAIL DD



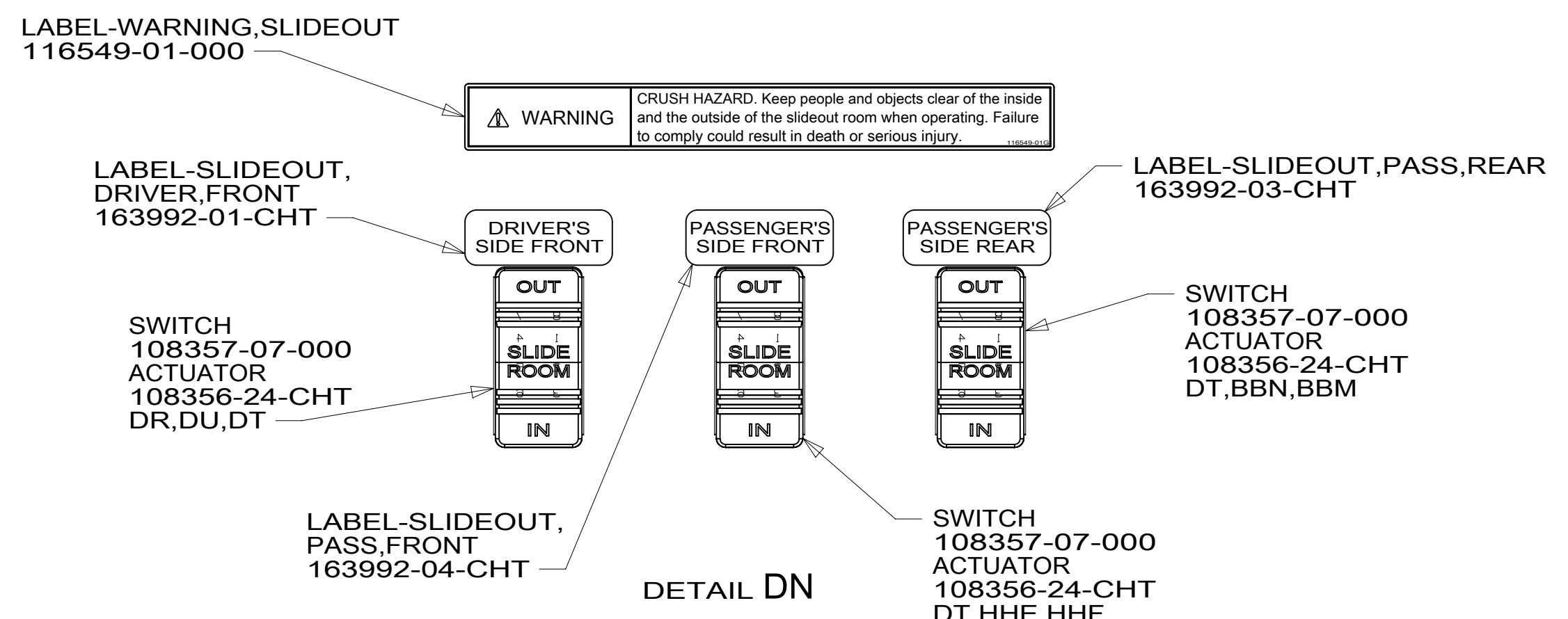
SWITCH-ROCKER  
135740-01-CHT  
SWITCH-BASE  
135741-01-CHT  
SWITCH-BEZEL  
135742-01-CHT  
SCREW  
G11-08-08U (2)

DETAIL DT



DETAIL DJ

DETAIL DH 1



LABEL-WARNING,SLIDEOUT  
116549-01-000

LABEL-SLIDEOUT,  
DRIVER,FRONT  
163992-01-CHT

SWITCH  
108357-07-000  
ACTUATOR  
108356-24-CHT  
DR,DU,DT

LABEL-SLIDEOUT,  
PASS.FRONT  
163992-04-CHT

LABEL-SLIDEOUT,PASS,REAR  
163992-03-CHT

SWITCH  
108357-07-000  
ACTUATOR  
108356-24-CHT  
DT,BBN,BBM

SWITCH  
108357-07-000  
ACTUATOR  
108356-24-CHT  
DT,HHE,HHF

DETAIL DN

NOTES:  
3 PLACE AROUND ENTIRE PERIMETER WITH SEAM AT BOTTOM.  
2 CIRCUIT FROM WIRE ASM-CHASSIS  
1 FOR SWITCH ORIENTATION SEE DETAIL DJ.

FOR ELECTRICAL  
TORQUE  
SPECIFICATIONS  
SEE DWG NO.  
128783-01-000

FOR ELECTRICAL  
CALLOUTS  
SEE DWG NO.  
121339-01-000

- 45D LOFT BED - WITHOUT
- 45B LOFT BED
- 265 CODES/STANDARDS-CSA/CMVSS
- 1B1 CODES/STANDARDS USA

FIRST USED	
<b>15 E36Y</b>	
DO NOT SCALE DRAWING	
TITLE: <b>WIRING INSTL-BODY, 12V</b>	
SHEET 4	PART NO <b>188712</b> REV

\*188712\*

8 7 6 5 4 3 2 1

D

D

C

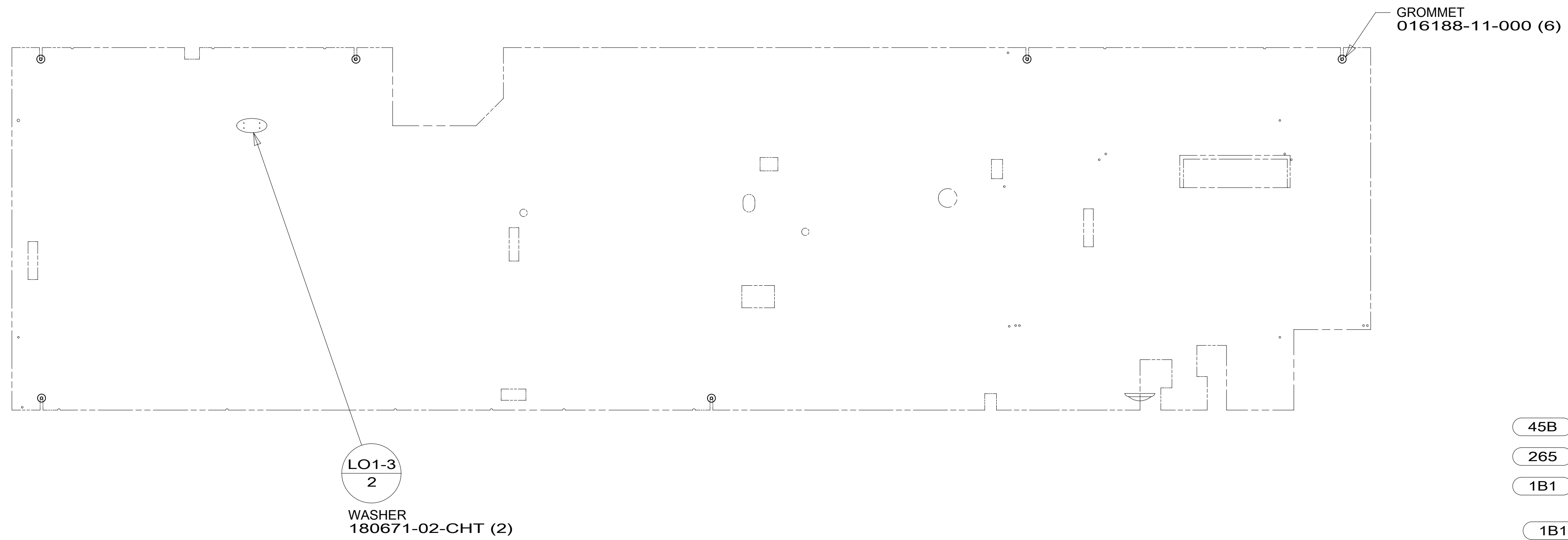
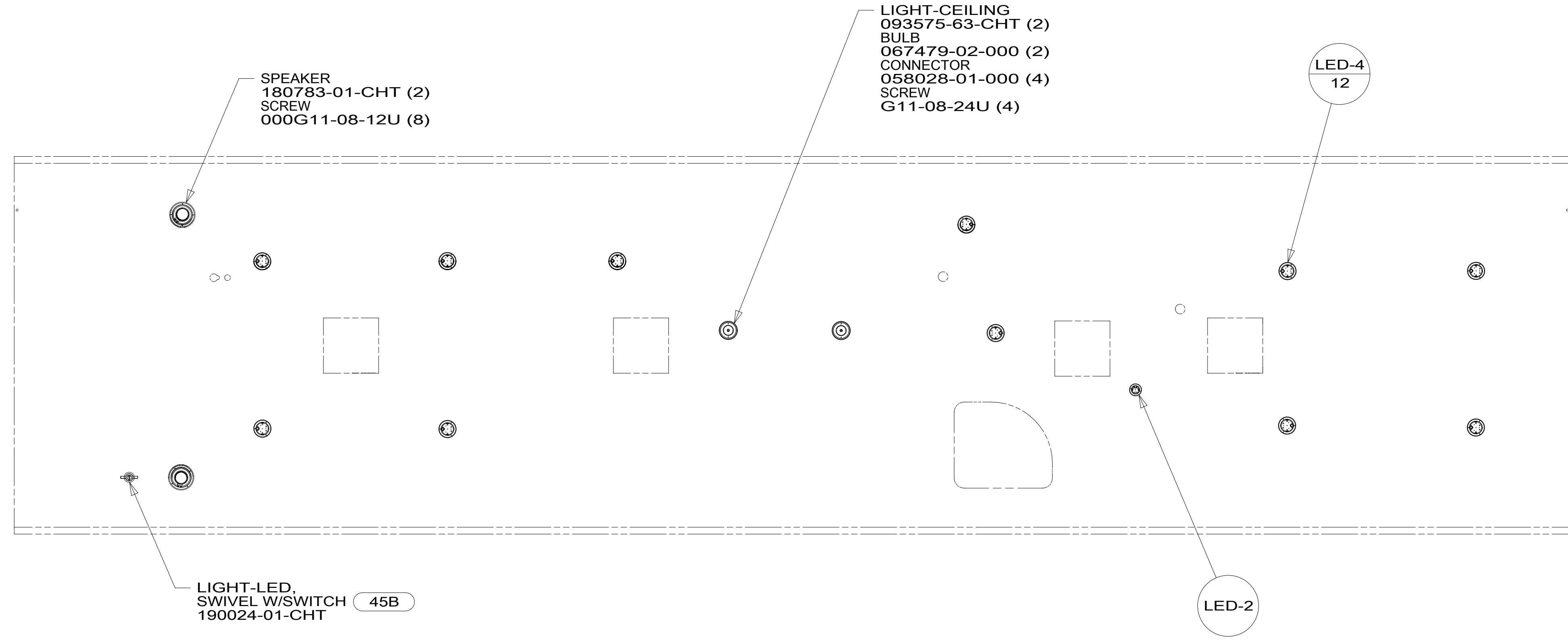
C

B

B

A

A



- 45B LOFT BED
- 265 CODES/STANDARDS-CSA/CMVSS
- 1B1 CODES/STANDARDS USA

1B1 265

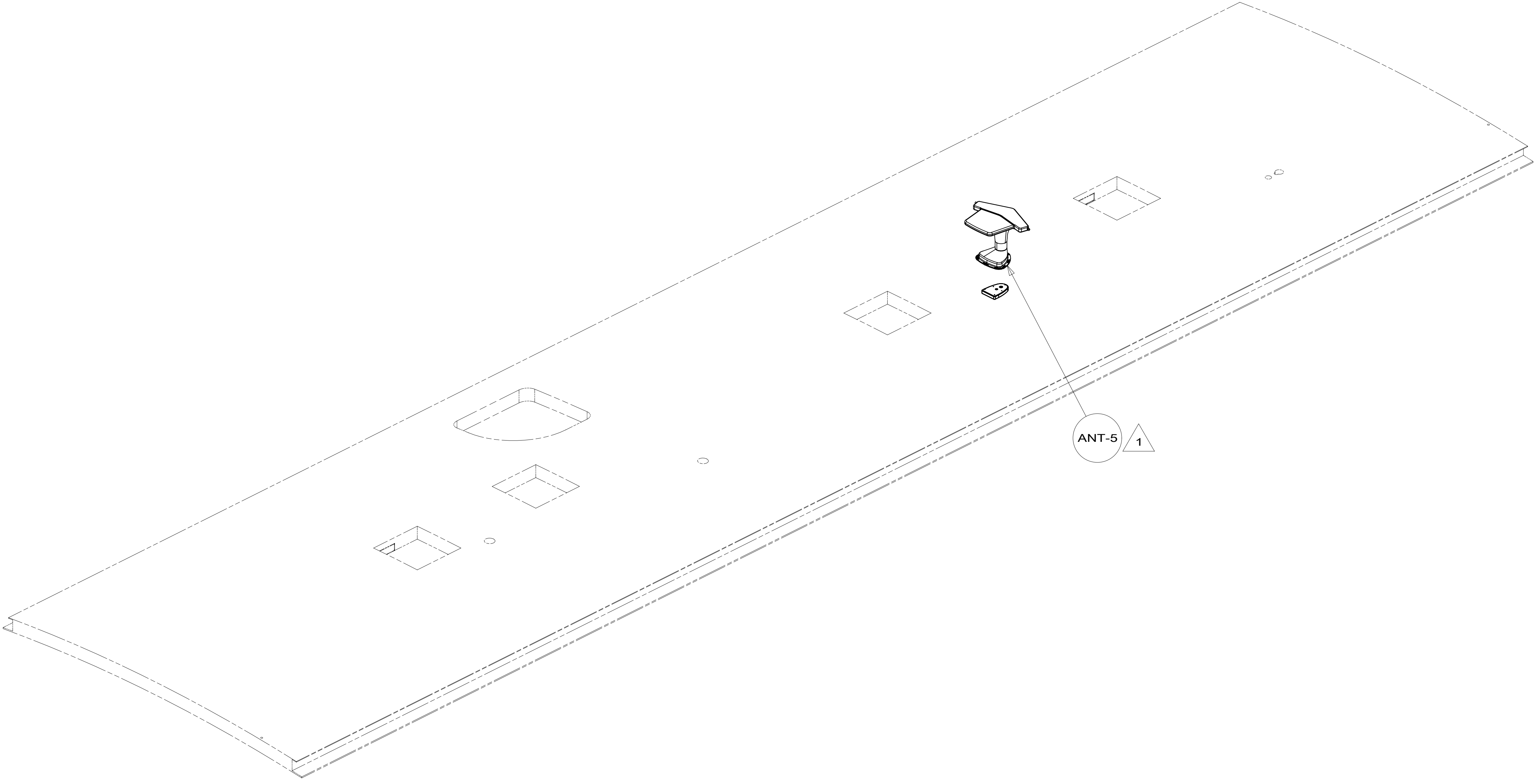
FIRST USED	<b>15 E36Y</b>	
DO NOT SCALE DRAWING		
TITLE:	<b>WIRING INSTL-BODY, 12V</b>	
SHEET 5	PART NO <b>188712</b>	REV

FOR ELECTRICAL TORQUE SPECIFICATIONS SEE DWG NO. 128783-01-000

FOR ELECTRICAL CALLOUTS SEE DWG NO. 121339-01-000

8 7 6 5 4 3 2 1

\*188712 \*A



1 SEE ANTENNA INSTALLATION MANUAL FOR CORRECT INSTALLATION PROCEDURE.

NOTES:

FOR ELECTRICAL TORQUE SPECIFICATIONS SEE DWG NO. 128783-01-000

FOR ELECTRICAL CALLOUTS SEE DWG NO. 121339-01-000

265 CODES/STANDARDS-CSA/CMVSS

1B1 CODES/STANDARDS USA

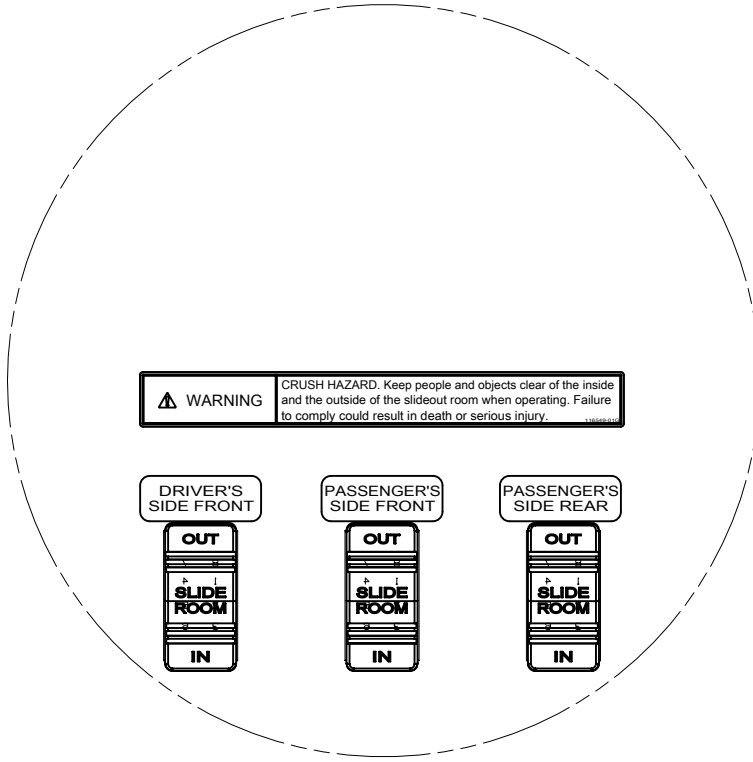
1B1 265

FIRST USED 15 E36Y

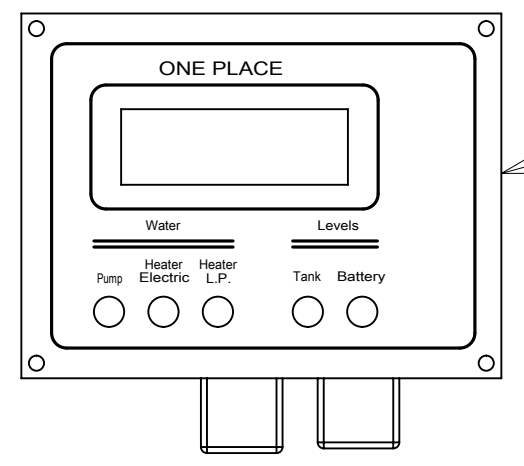
DO NOT SCALE DRAWING

TITLE: WIRING INSTL-BODY, 12V

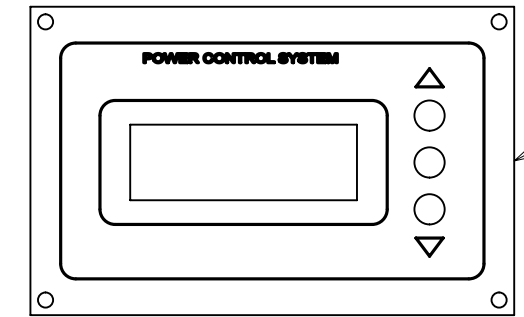
SHEET 6 PART NO 188712 REV



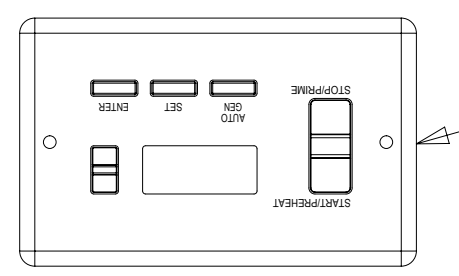
DETAIL DN



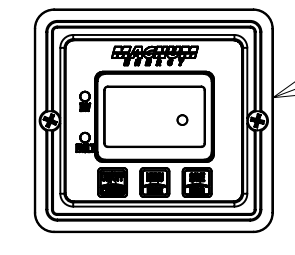
PANEL-MONITOR  
175724-02-000  
SCREW  
G11-08-08U (4)



PANEL-MONITOR,  
PCS 50 AMP  
174384-06-000

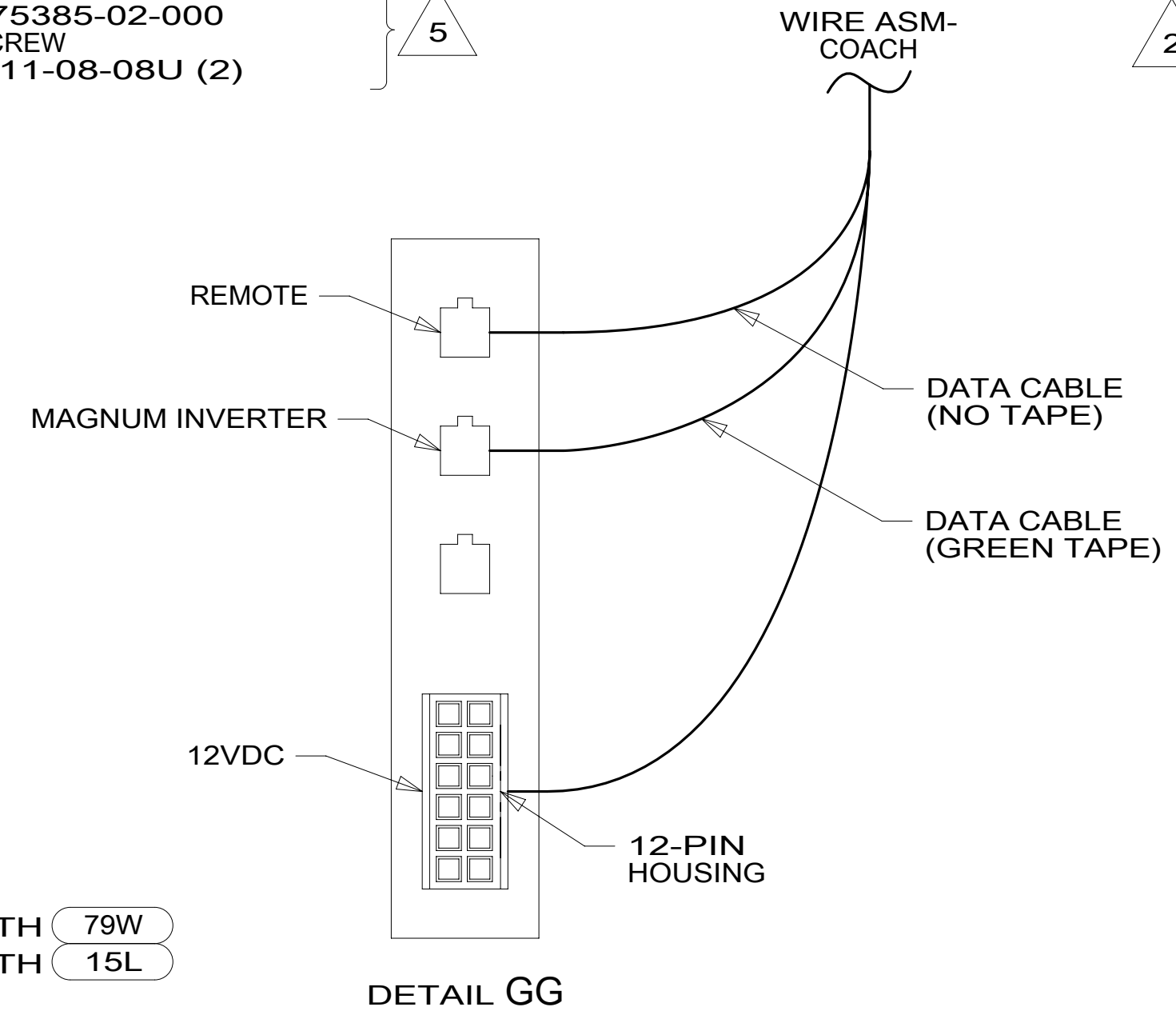


MODULE-AUTO  
GENERATOR START  
158425-01-000

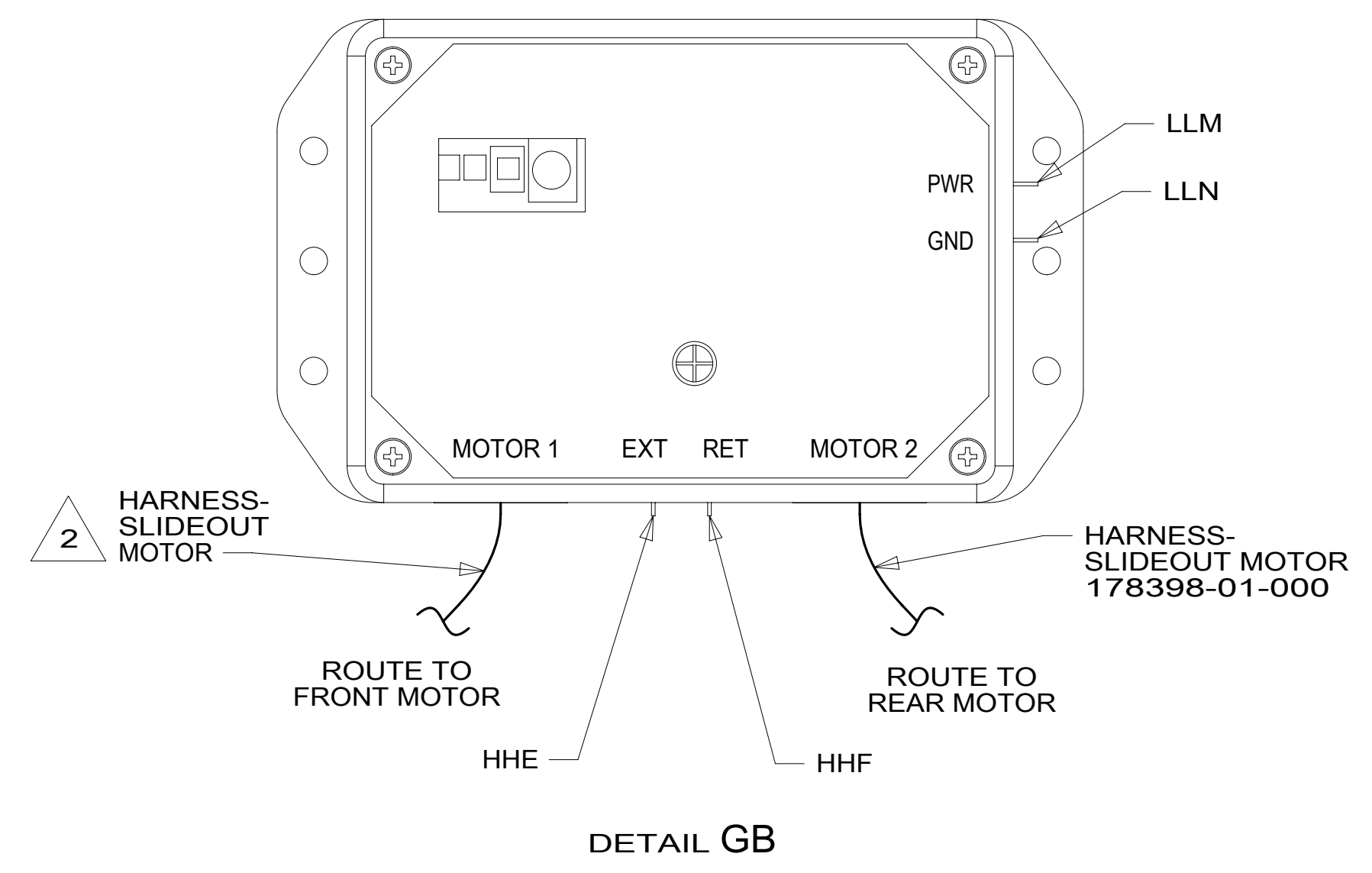


REMOTE PANEL-INVERTER  
175385-02-000  
SCREW  
G11-08-08U (2)

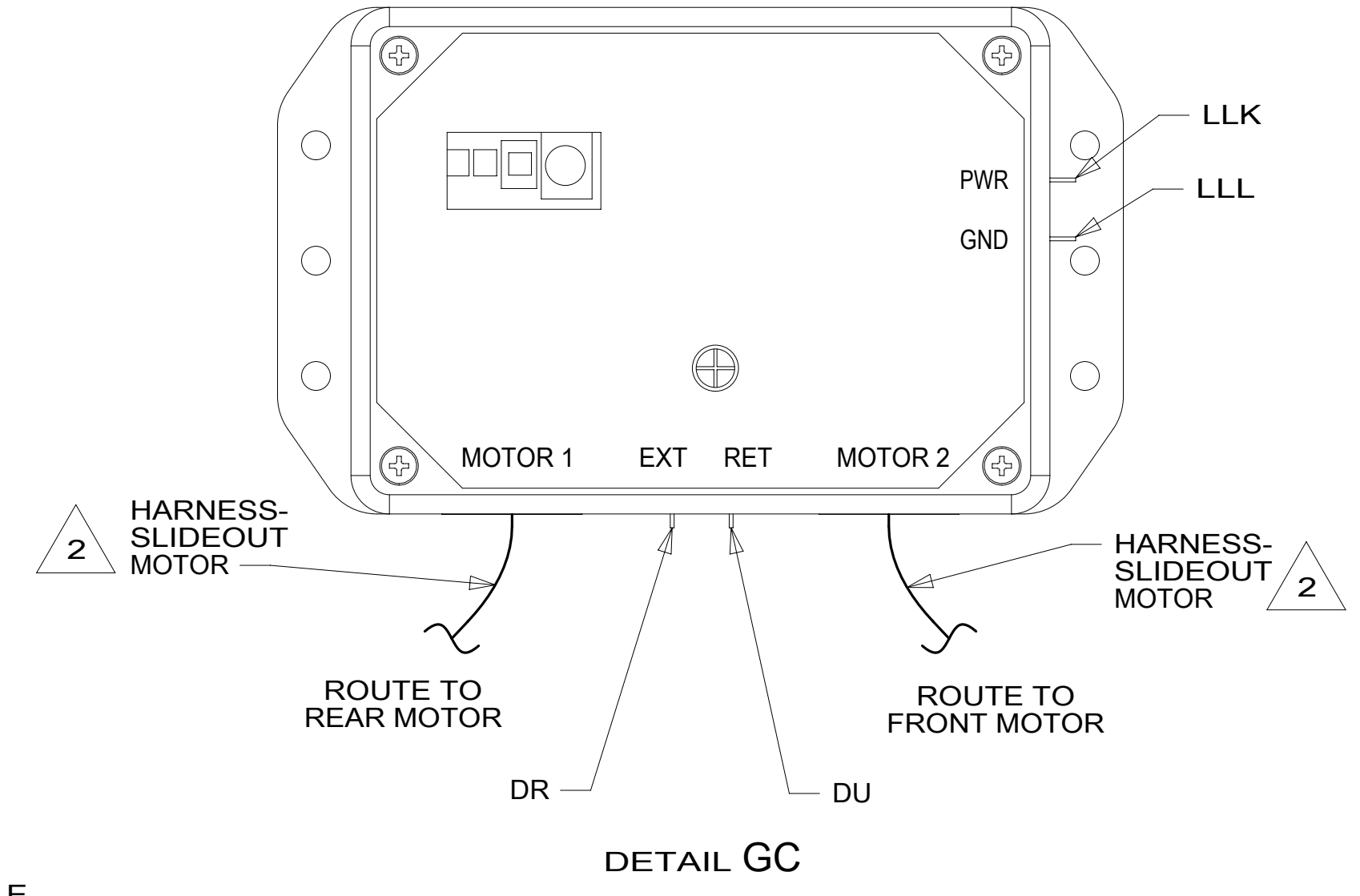
DETAIL GA



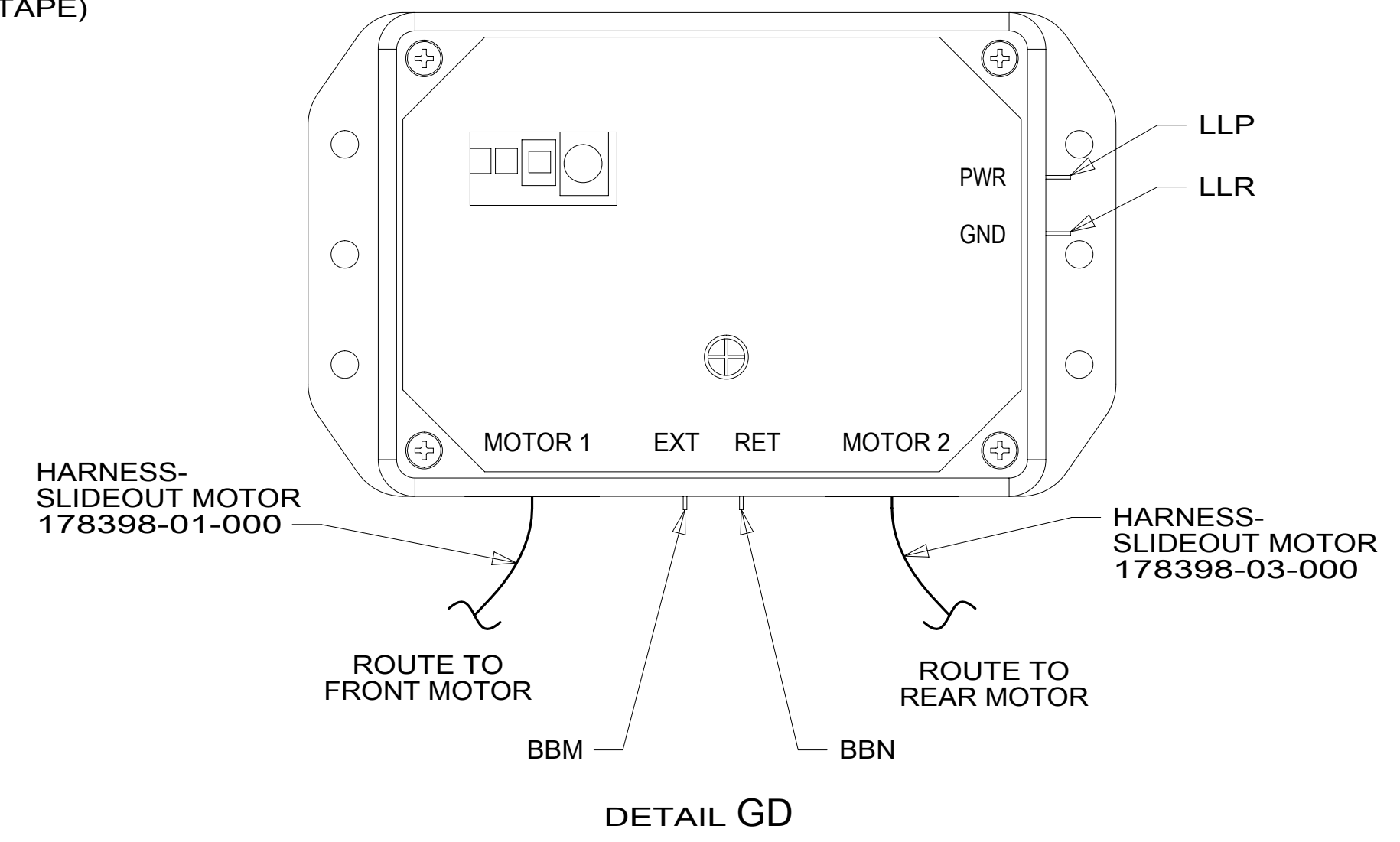
DETAIL GG



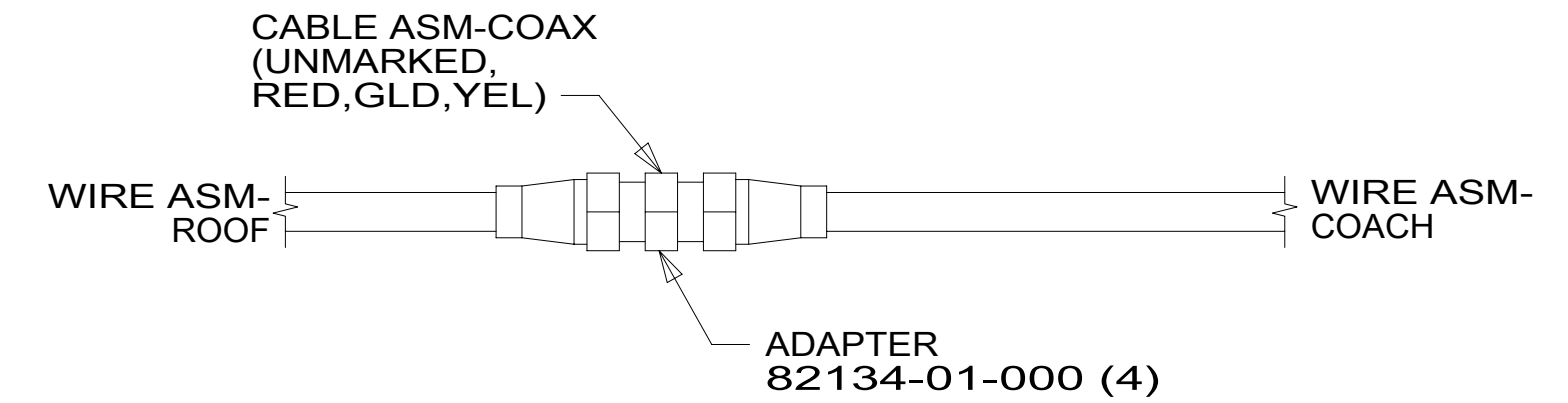
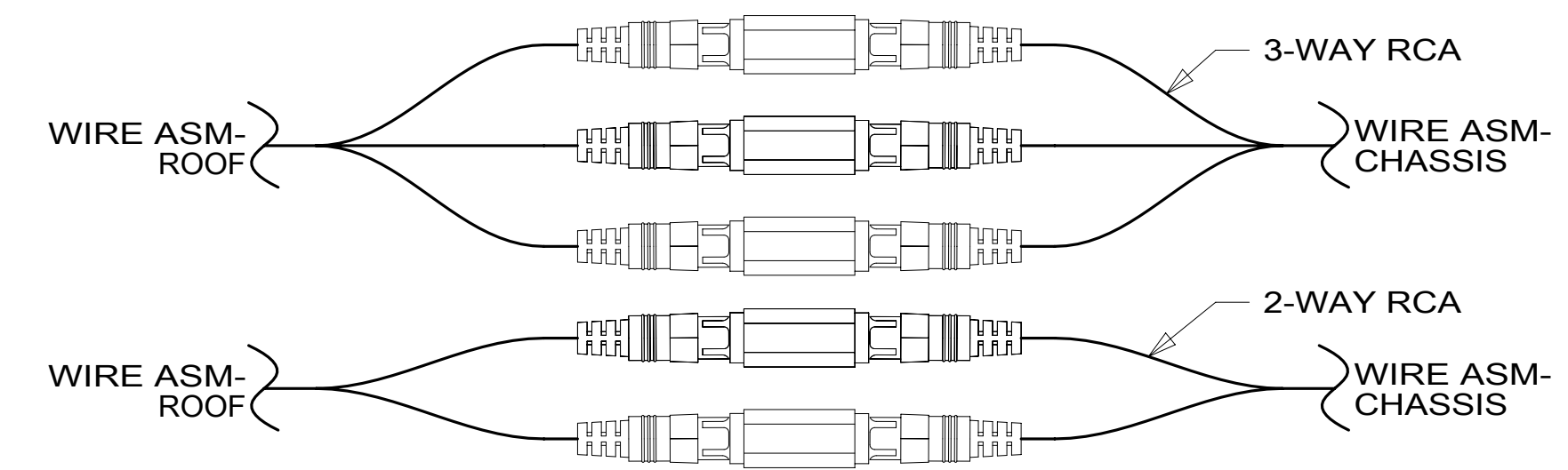
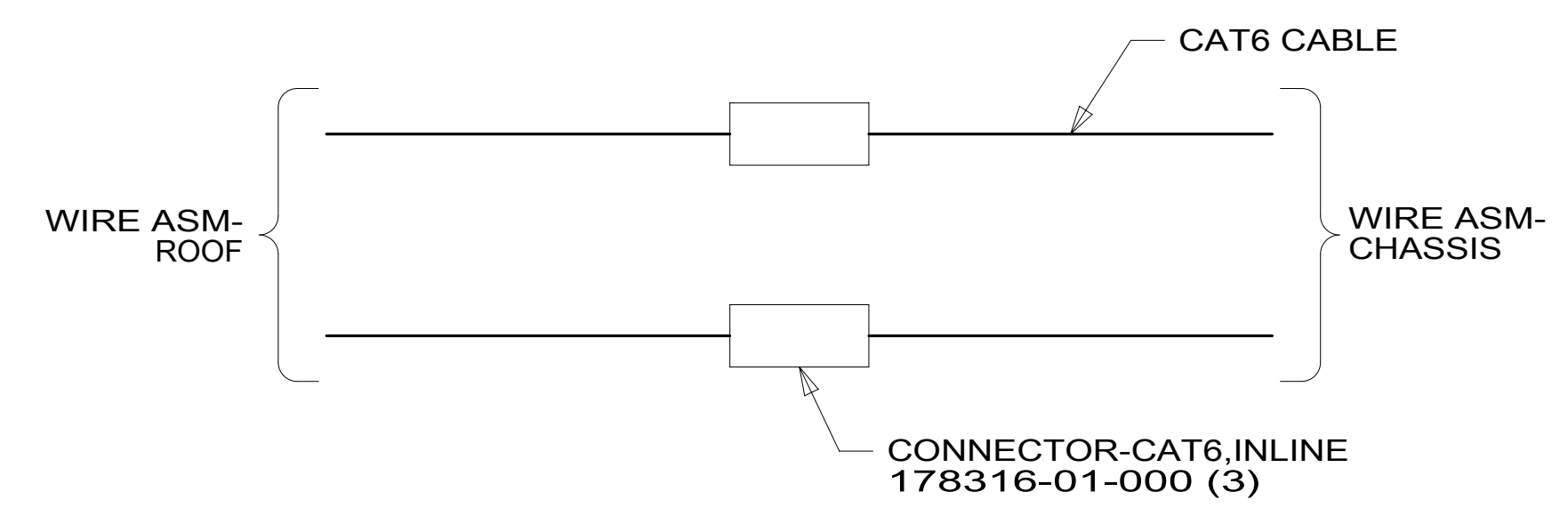
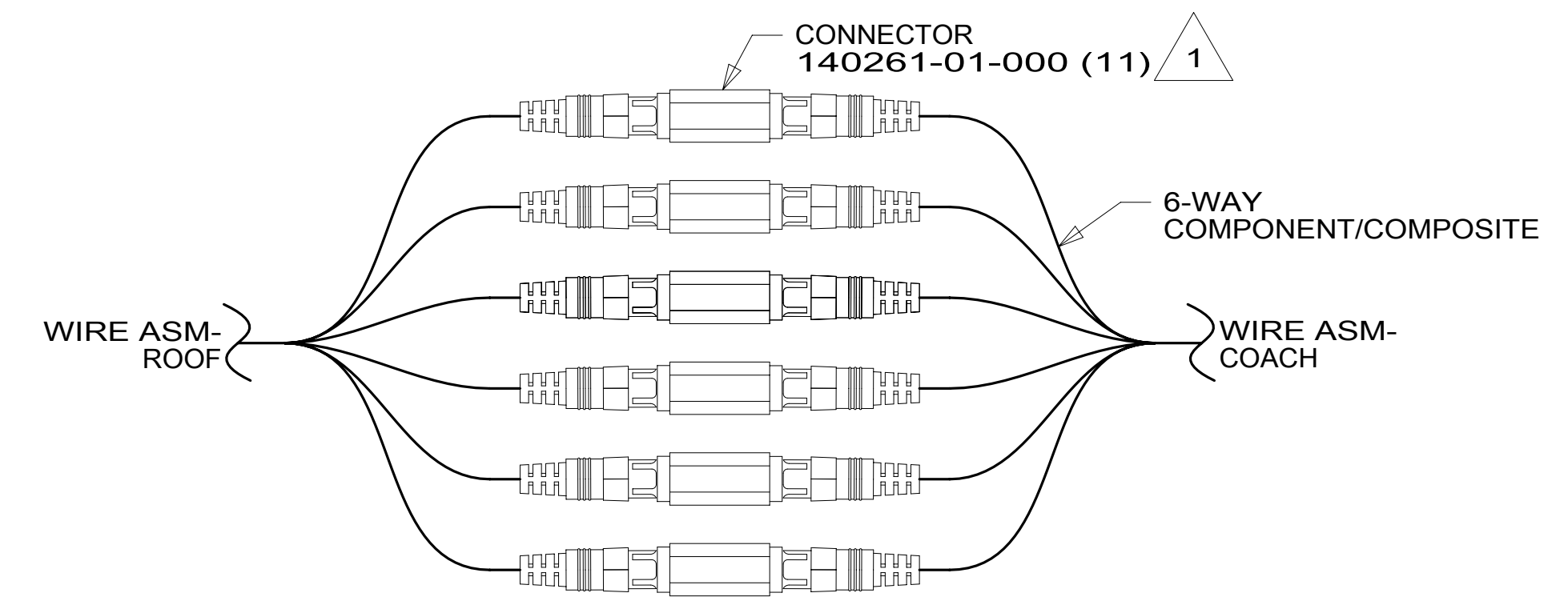
DETAIL GB



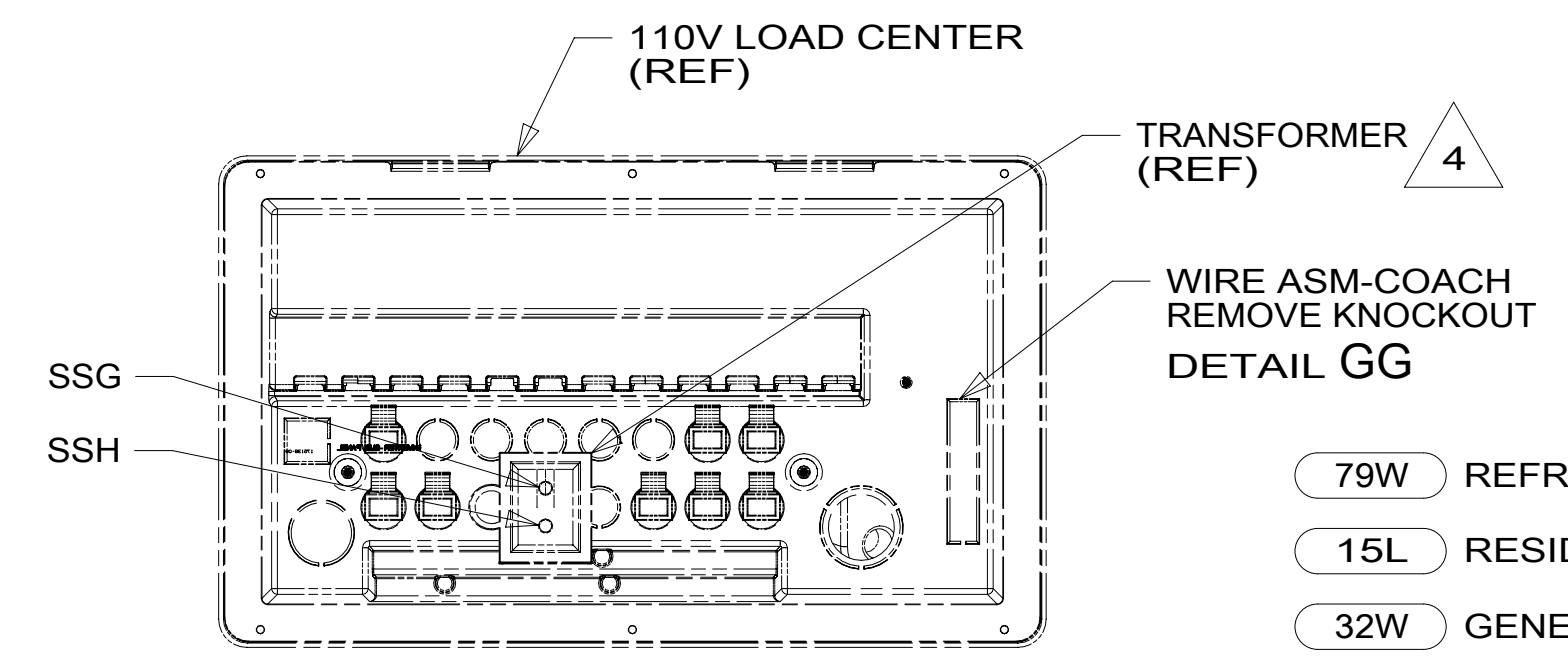
DETAIL GC



DETAIL GD



DETAIL GE



DETAIL GF

- NOTES:
- 5 SET 'BAT TYPE' TO 'FLOODED'  
SET 'BAT AHRS' TO '200 AH' WITH 79W  
SET 'BAT AHRS' TO '400 AH' WITH 15L  
SET 'LBEO' TO '11VDC'  
SEE OPERATOR'S MANUAL FOR SETUP PROCEDURE.
  - 4 SEE LOAD CENTER/ATS ASM FOR ADDITIONAL INFORMATION.
  - 3 SET 'GEN TYPE' TO 'GAS/LP'  
SET 'SAFE TYPE' TO 'IGNITION'  
SET 'SPSENSE' TO 'AFTER'  
SEE OPERATOR'S MANUAL FOR SETUP PROCEDURE.
  - 2 WIRING IS PART OF WIRE ASM-CHASSIS.
  - 1 WRAP BOTH ENDS WITH TAPE 8363-01-000 TO SECURE CONNECTION.

FOR ELECTRICAL TORQUE SPECIFICATIONS SEE DWG NO. 128783-01-000

FOR ELECTRICAL CALLOUTS SEE DWG NO. 121339-01-000

- 79W REFRIGERATOR-4 DOOR
- 15L RESIDENTIAL REFRIGERATOR PKG
- 32W GENERATOR-START,AUTO SYSTEM
- 265 CODES/STANDARDS-CSA/CMVSS
- 1B1 CODES/STANDARDS USA

FIRST USED	
<b>15 E36Y</b>	
DO NOT SCALE DRAWING	
TITLE: <b>WIRING INSTL-BODY, 12V</b>	
SHEET 7	PART NO <b>188712</b> REV

\*188712\*