



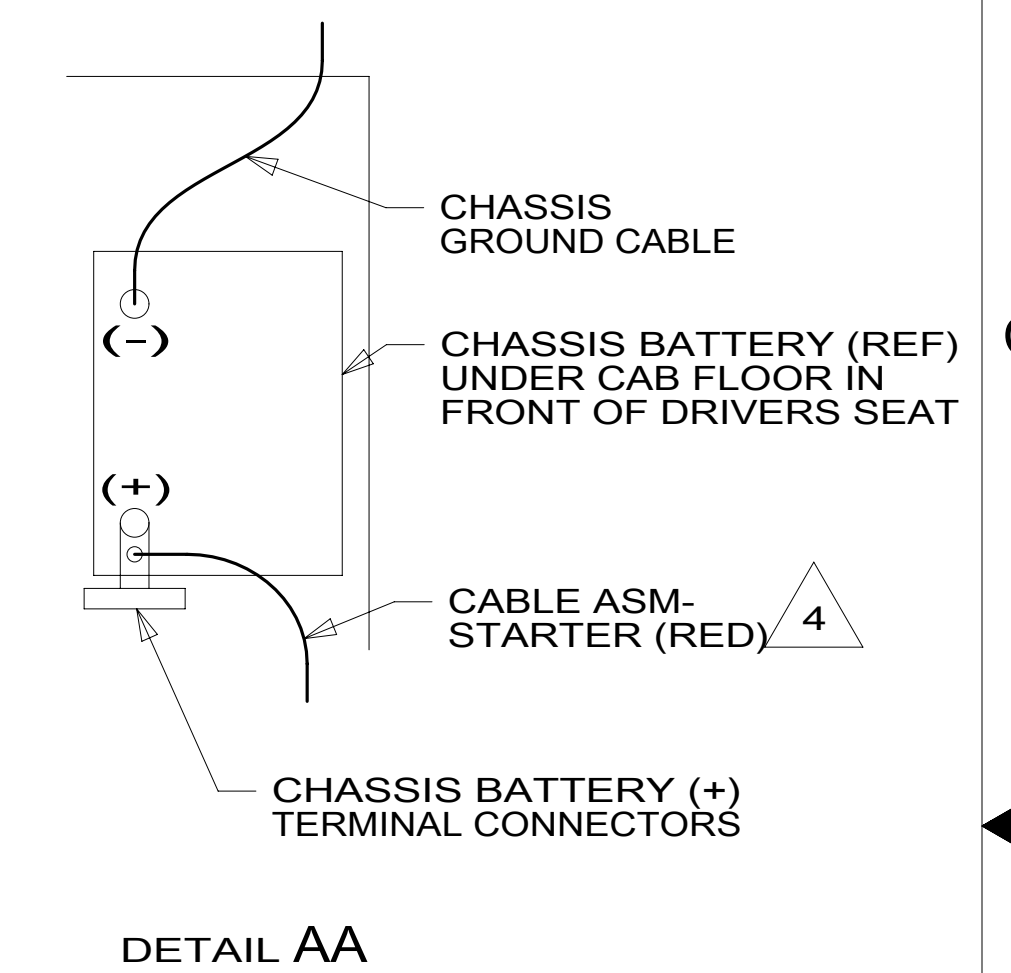
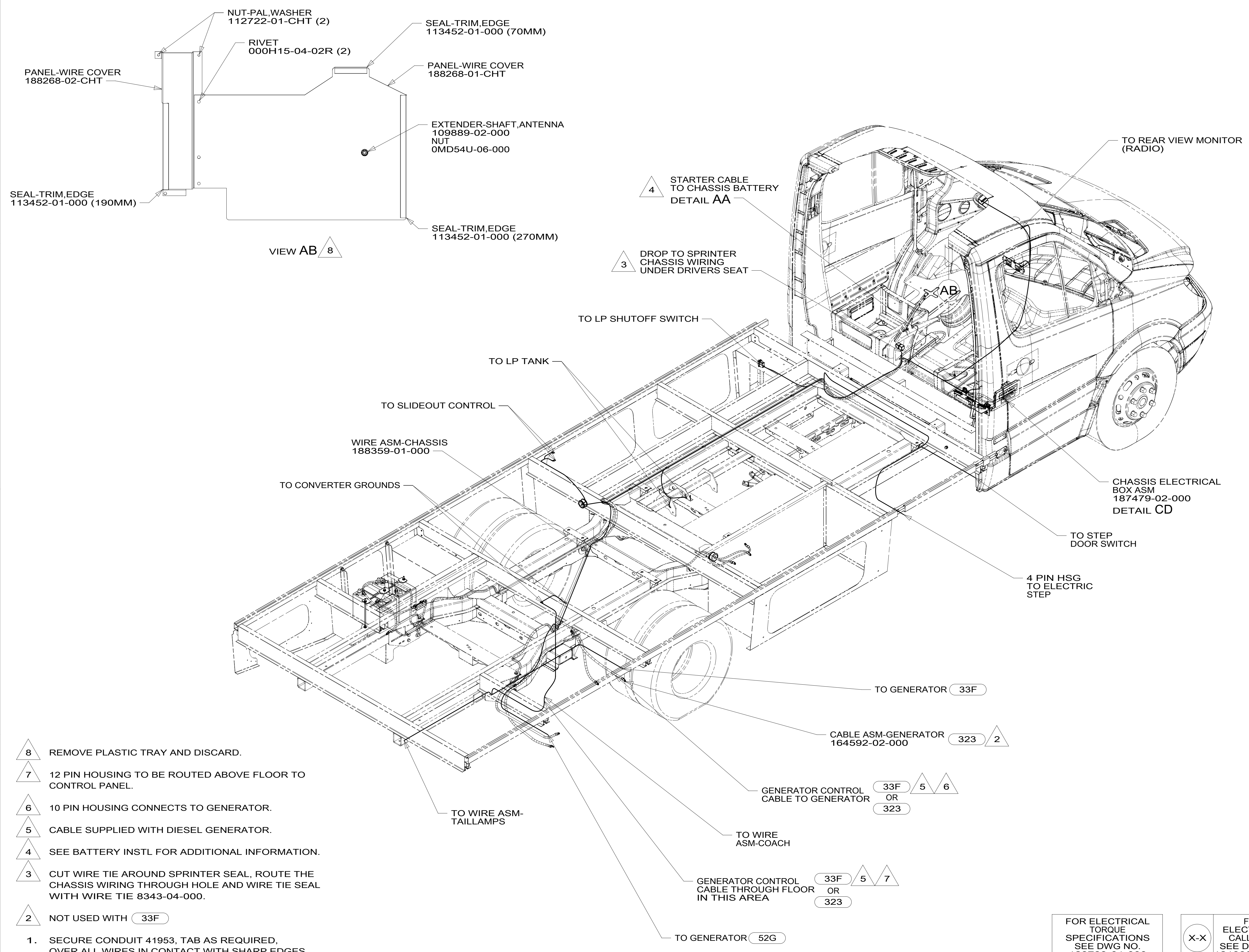
DANGER

Danger of electrical shock, burns or death. Always remove all power sources before attempting any repair, service or diagnostic work. Power can be present from shore power, generator, inverter or battery. All power sources must be disabled and secured before performing any service.



CAUTION

If you lack the skills, tools or equipment to perform diagnostic or repair work leave such work to an authorized Winnebago Industries dealer or other qualified shop.



- 323 GENERATOR PREP KIT - DIESEL
- 33F GEN-3.5 KW ONAN DIESEL
- 52G GEN-3.6KW ONAN LP MICROQUIET
- 1MP MERCEDES 11,030# GVWR DIESEL
- 265 CODES/STANDARDS-CSA/CMVSS
- 1B1 CODES/STANDARDS USA

1B1 265 1MP

WINNEBAGO COPYRIGHT 2014 WINNEBAGO INDUSTRIES, INC.

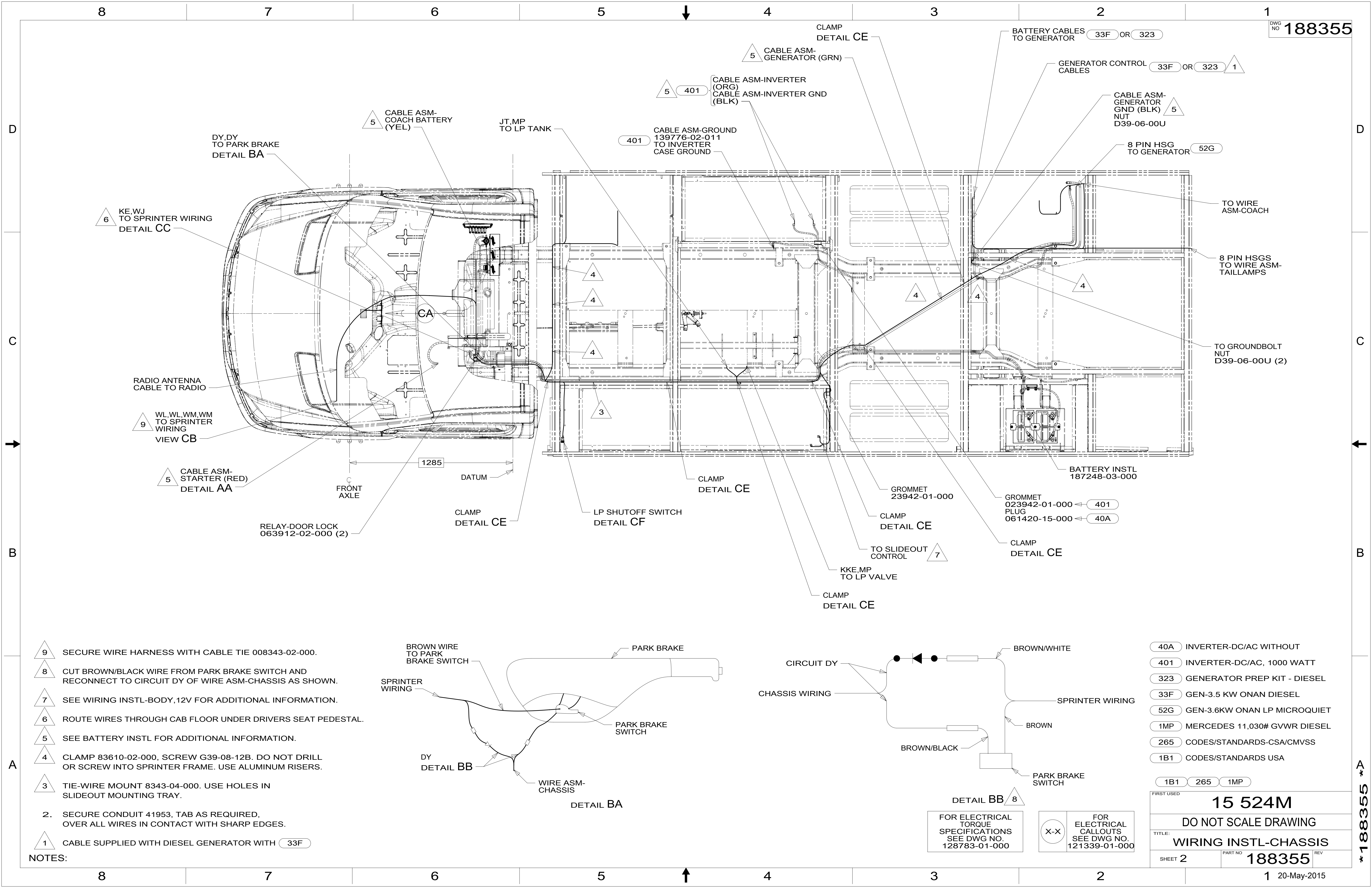
DFTR	ORIG. DATE
CHKR	ALL DIMENSIONS ARE IN MILLIMETERS
P.E.	FIRST USED
M.E.	15 524M
DSNR	MATERIAL:
UNSPECIFIED TOLERANCES ARE:	
WHOLE DIM (X)	: 3
ONE-PLACE (X.X)	: 1.5
TWO-PLACE (X.XX)	: 0.50
ANGLE	: 1°
THIRD ANGLE PROJECTION	
DO NOT SCALE DRAWING	REFER TO ES0018 FOR FASTENER TIGHTENING GUIDELINES
TITLE: WIRING INSTL-CHASSIS	
SHEET 1 OF 3	PART NO 188355 REV
REF:	1 20-May-2015

- 8 REMOVE PLASTIC TRAY AND DISCARD.
 - 7 12 PIN HOUSING TO BE ROUTED ABOVE FLOOR TO CONTROL PANEL.
 - 6 10 PIN HOUSING CONNECTS TO GENERATOR.
 - 5 CABLE SUPPLIED WITH DIESEL GENERATOR.
 - 4 SEE BATTERY INSTL FOR ADDITIONAL INFORMATION.
 - 3 CUT WIRE TIE AROUND SPRINTER SEAL, ROUTE THE CHASSIS WIRING THROUGH HOLE AND WIRE TIE SEAL WITH WIRE TIE 8343-04-000.
 - 2 NOT USED WITH 33F
1. SECURE CONDUIT 41953, TAB AS REQUIRED, OVER ALL WIRES IN CONTACT WITH SHARP EDGES.

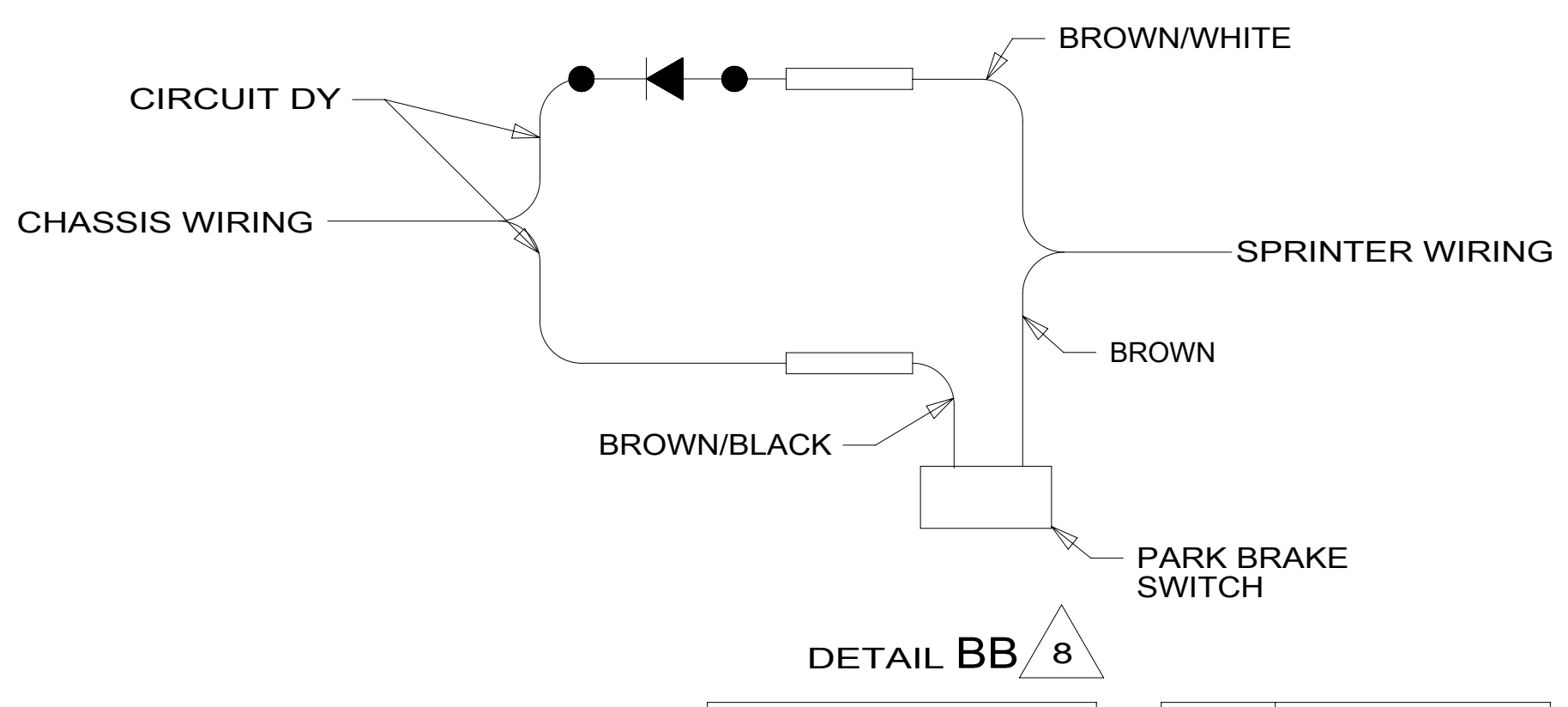
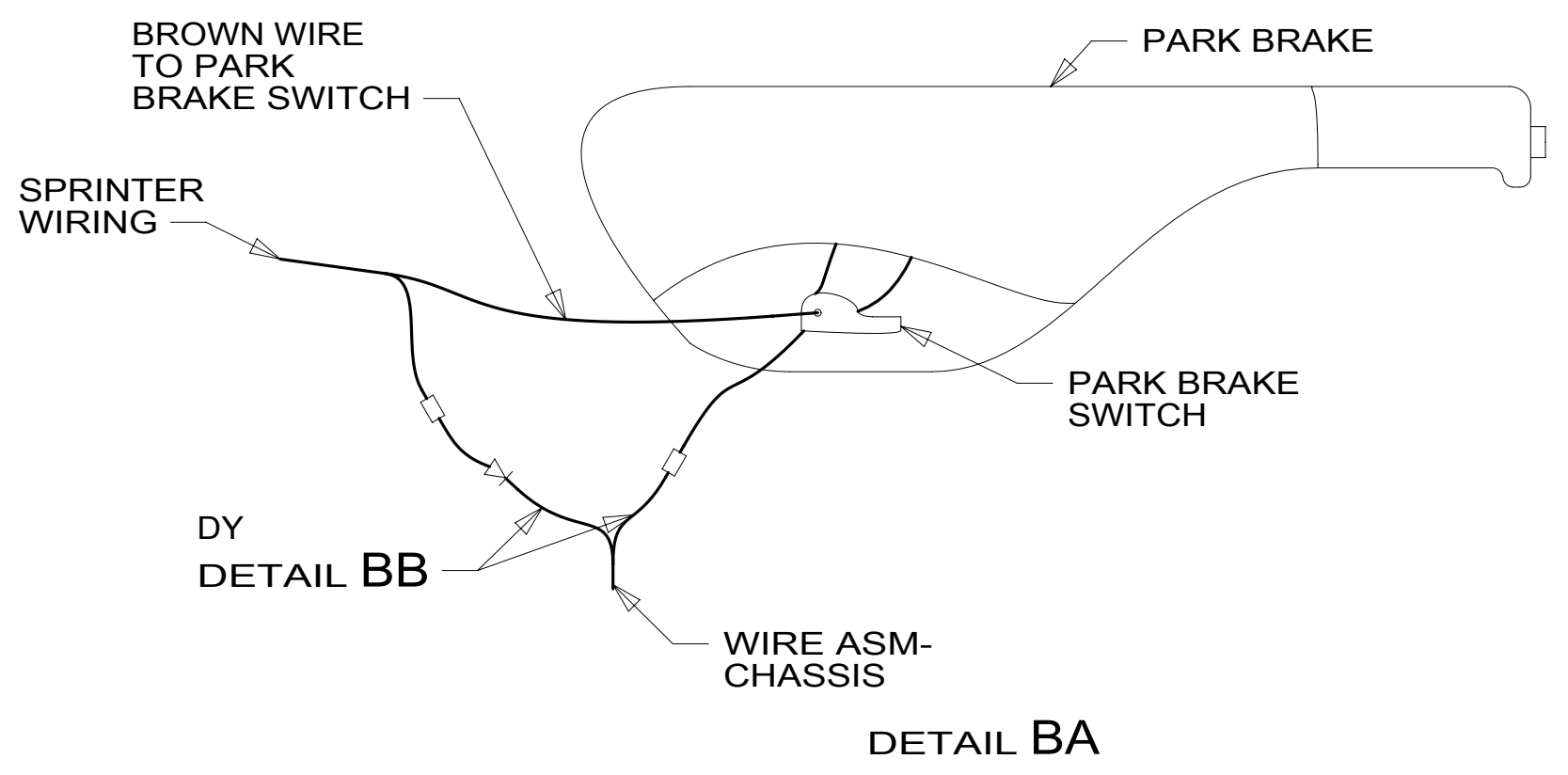
FOR ELECTRICAL TORQUE SPECIFICATIONS SEE DWG NO. 128783-01-000

X-X FOR ELECTRICAL CALLOUTS SEE DWG NO. 121339-01-000

188355



- 9** SECURE WIRE HARNESS WITH CABLE TIE 008343-02-000.
- 8** CUT BROWN/BLACK WIRE FROM PARK BRAKE SWITCH AND RECONNECT TO CIRCUIT DY OF WIRE ASM-CHASSIS AS SHOWN.
- 7** SEE WIRING INSTL-BODY, 12V FOR ADDITIONAL INFORMATION.
- 6** ROUTE WIRES THROUGH CAB FLOOR UNDER DRIVERS SEAT PEDESTAL.
- 5** SEE BATTERY INSTL FOR ADDITIONAL INFORMATION.
- 4** CLAMP 83610-02-000, SCREW G39-08-12B. DO NOT DRILL OR SCREW INTO SPRINTER FRAME. USE ALUMINUM RISERS.
- 3** TIE-WIRE MOUNT 8343-04-000. USE HOLES IN SLIDEOUT MOUNTING TRAY.
- 2** SECURE CONDUIT 41953, TAB AS REQUIRED, OVER ALL WIRES IN CONTACT WITH SHARP EDGES.
- 1** CABLE SUPPLIED WITH DIESEL GENERATOR WITH 33F



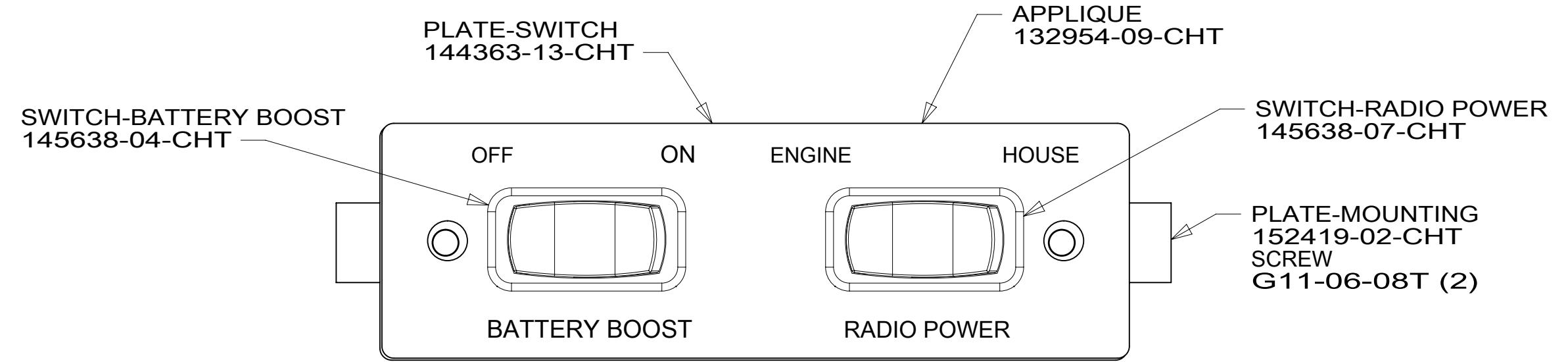
- 40A** INVERTER-DC/AC WITHOUT
- 401** INVERTER-DC/AC, 1000 WATT
- 323** GENERATOR PREP KIT - DIESEL
- 33F** GEN-3.5 KW ONAN DIESEL
- 52G** GEN-3.6KW ONAN LP MICROQUIET
- 1MP** MERCEDES 11,030# GVWR DIESEL
- 265** CODES/STANDARDS-CSA/CMVSS
- 1B1** CODES/STANDARDS USA

FIRST USED		15 524M	
DO NOT SCALE DRAWING			
TITLE: WIRING INSTL-CHASSIS			
SHEET 2	PART NO	188355	REV
		1	20-May-2015

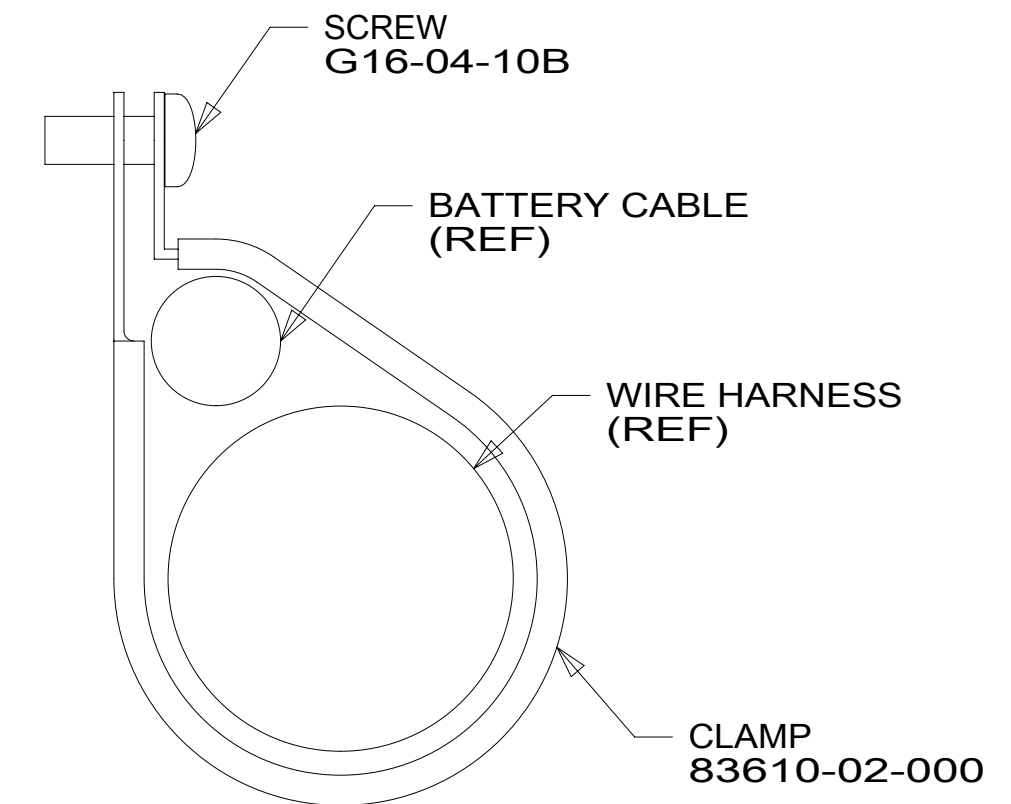
FOR ELECTRICAL TORQUE SPECIFICATIONS SEE DWG NO. 128783-01-000

FOR ELECTRICAL CALLOUTS SEE DWG NO. 121339-01-000

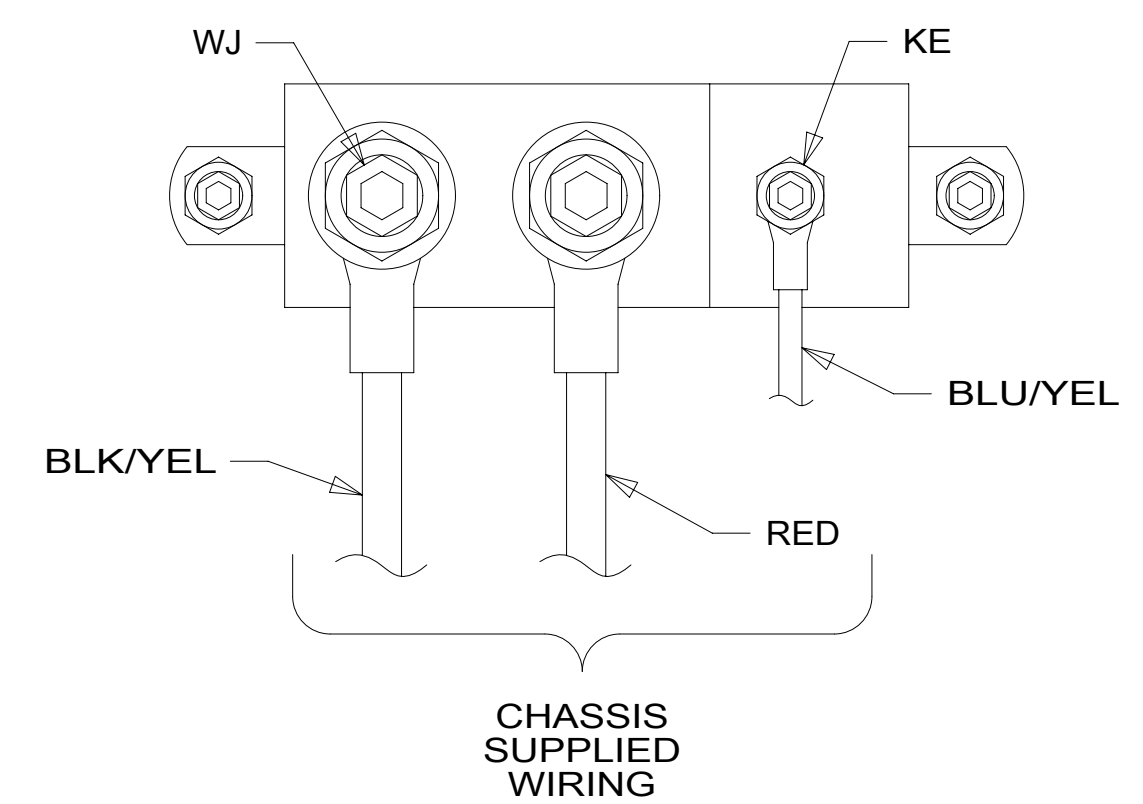
188355



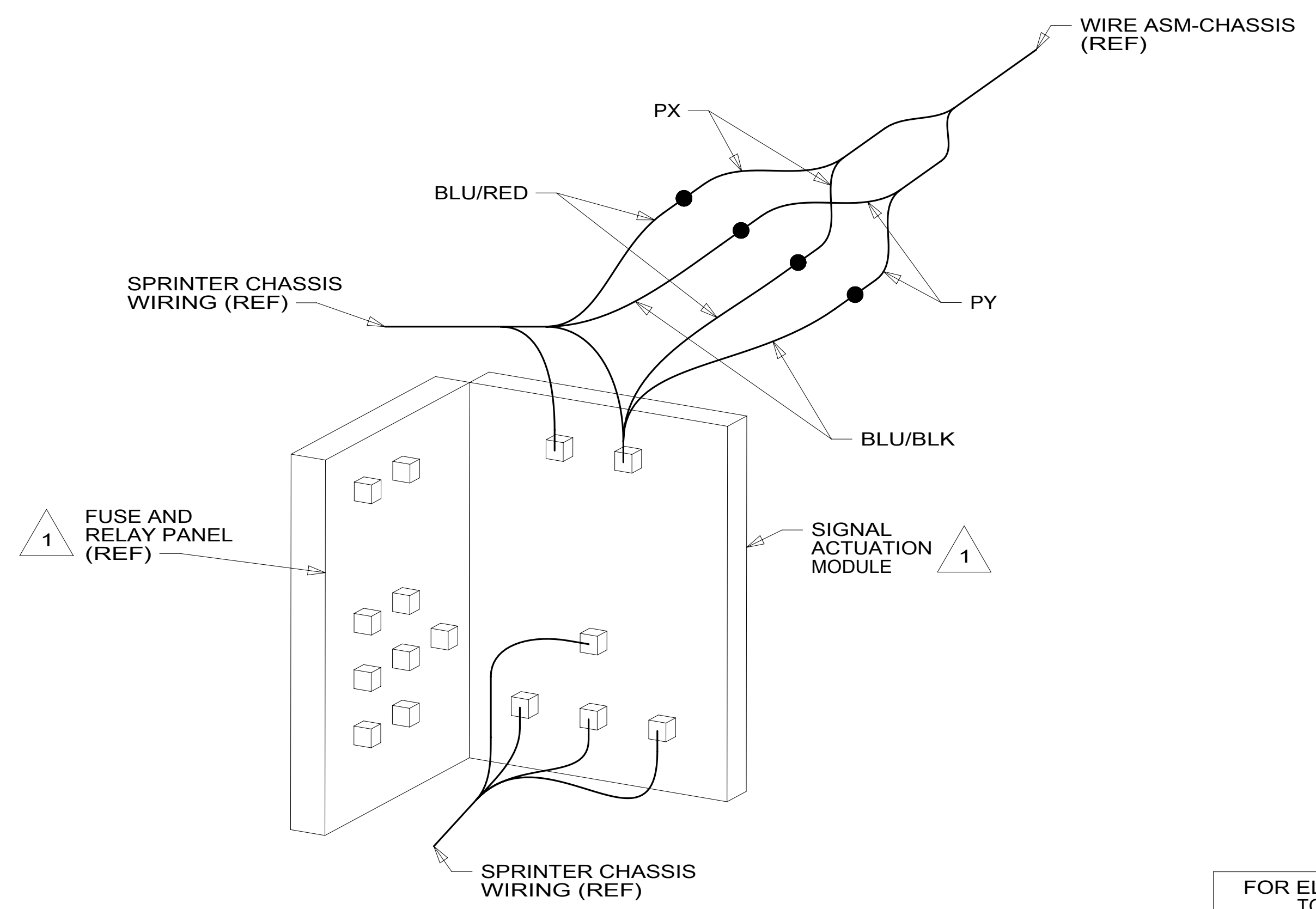
DETAIL CA



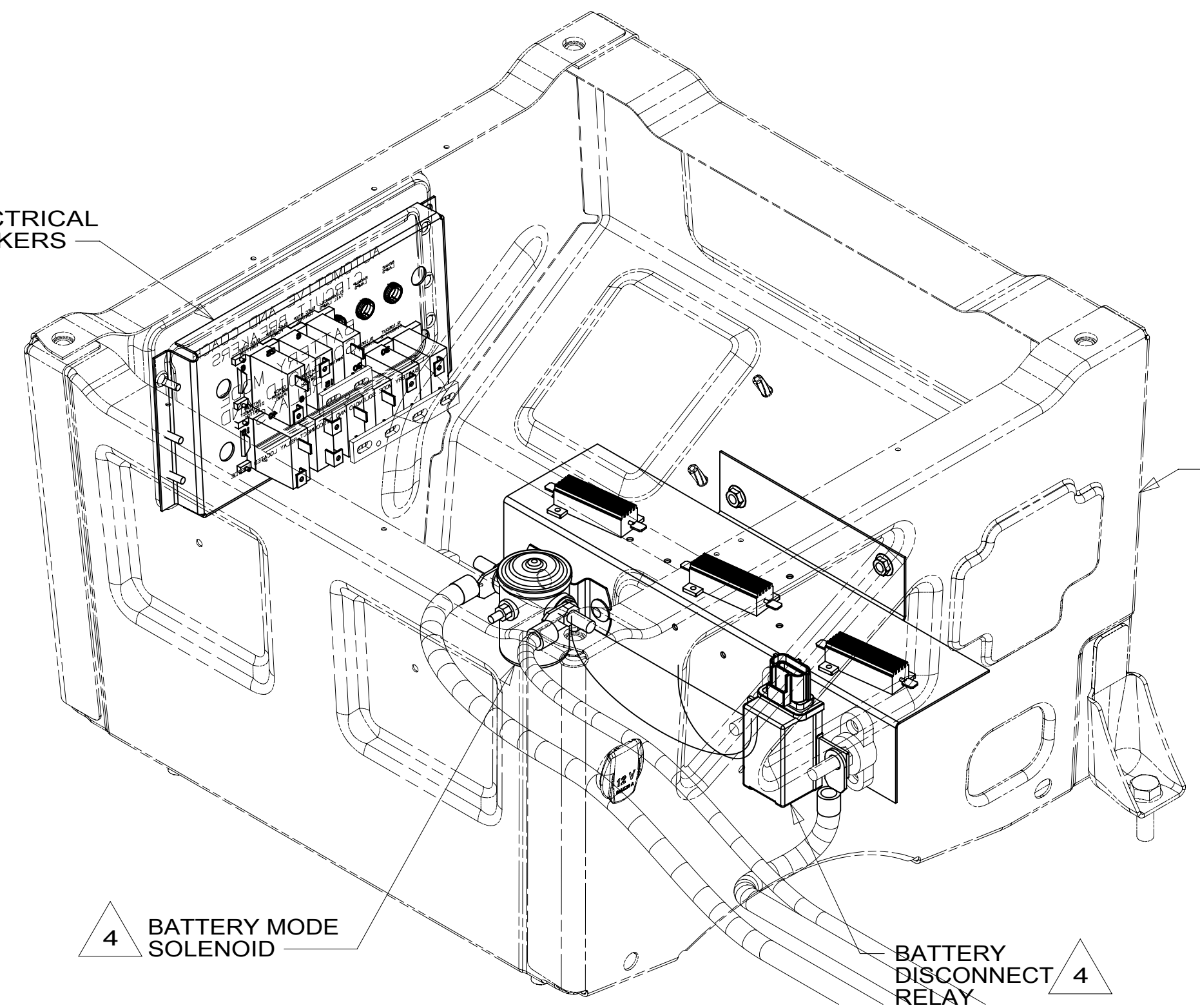
DETAIL CE (6 PLACES)



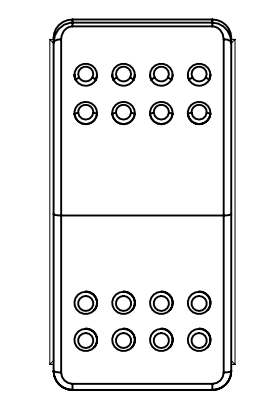
DETAIL CC 3



VIEW CB



DETAIL CD



DETAIL CF

- NOTES:
- 4 SEE CHASSIS ELECTRICAL BOX ASM FOR ADDITIONAL INFORMATION.
 - 3 CONNECTION POINT IS LOCATED UNDER DRIVERS SEAT.
 - 2. SECURE CONDUIT 41953, TAB AS REQUIRED, OVER ALL WIRES IN CONTACT WITH SHARP EDGES.
 - 1 LOCATED IN DRIVERS SIDE KICKER PANEL.

FOR ELECTRICAL TORQUE SPECIFICATIONS SEE DWG NO. 128783-01-000

FOR ELECTRICAL CALLOUTS SEE DWG NO. 121339-01-000

- 1MP MERCEDES 11,030# GVWR DIESEL
- 265 CODES/STANDARDS-CSA/CMVSS
- 1B1 CODES/STANDARDS USA

FIRST USED	1B1	265	1MP
15 524M			
DO NOT SCALE DRAWING			
TITLE: WIRING INSTL-CHASSIS			
SHEET 3	PART NO	188355	REV

*188355 *A