



**DANGER**

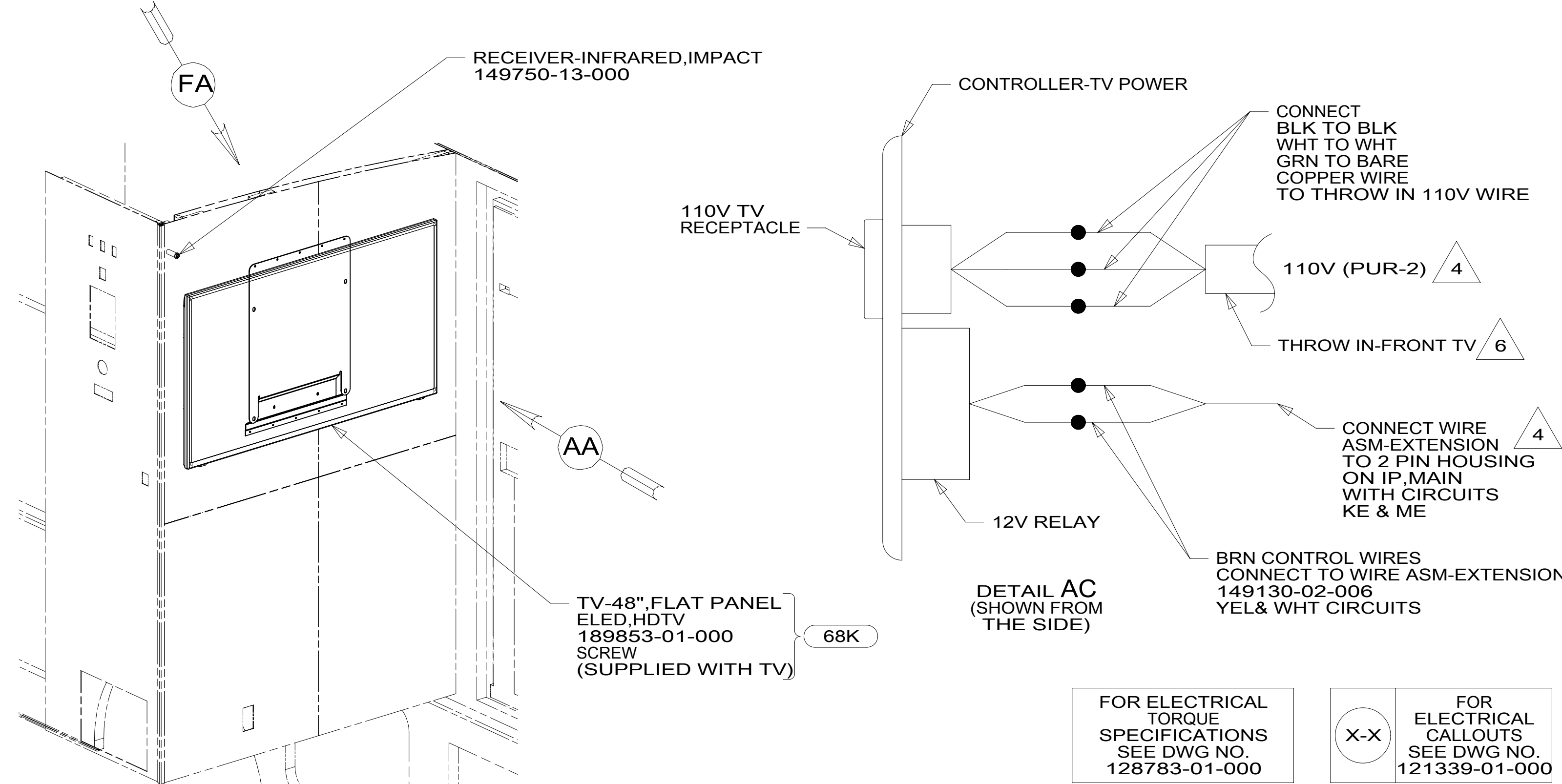
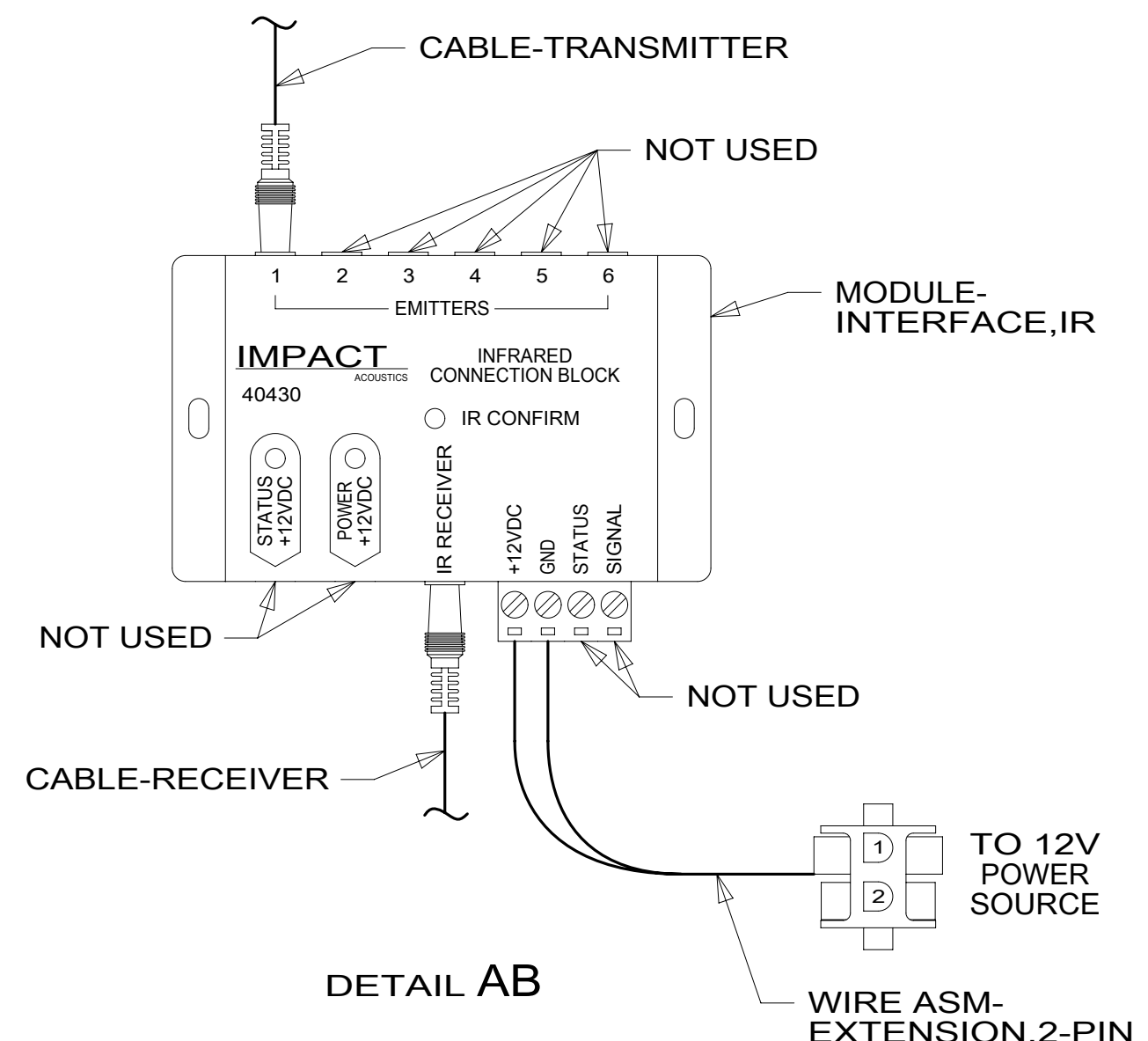
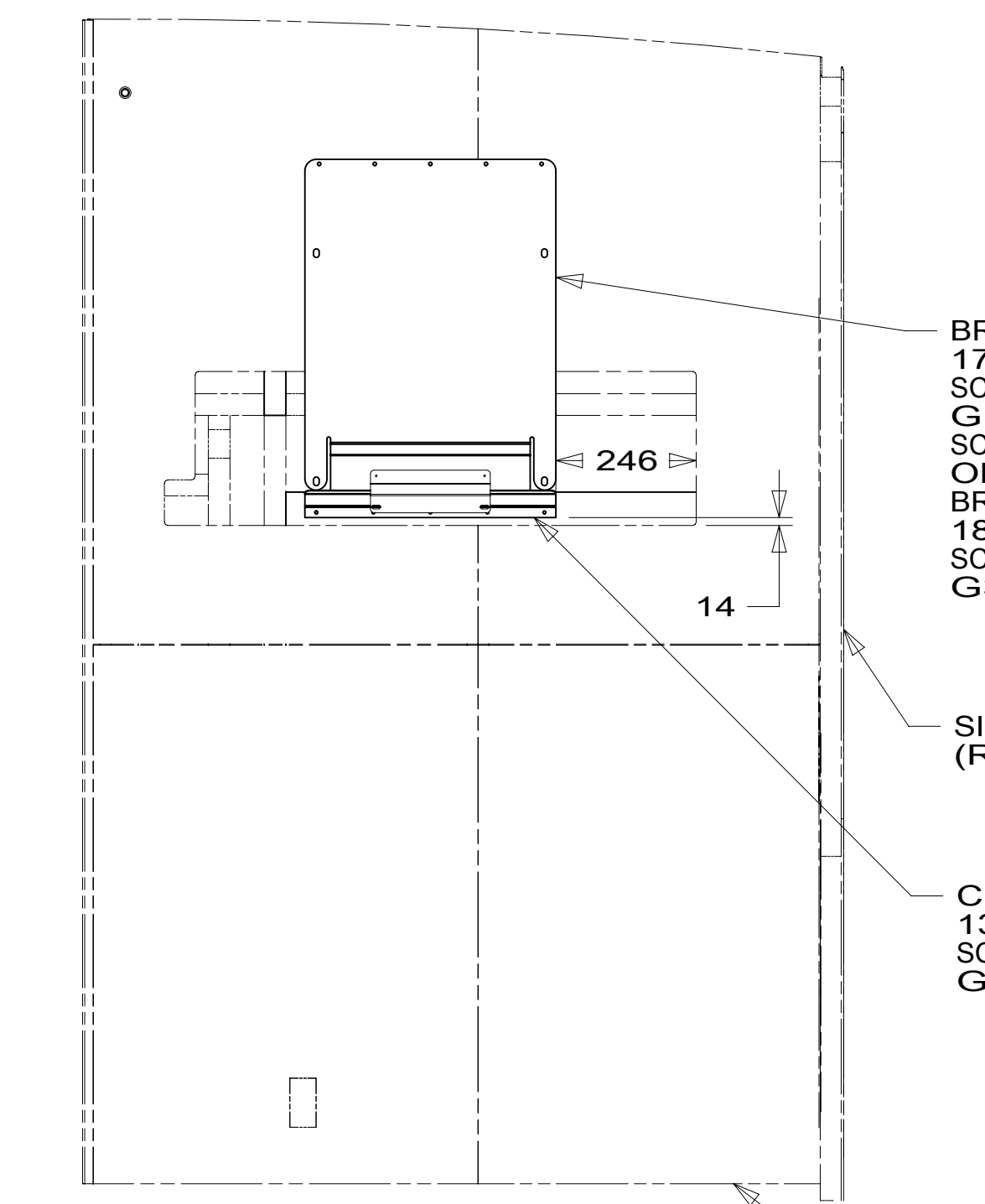
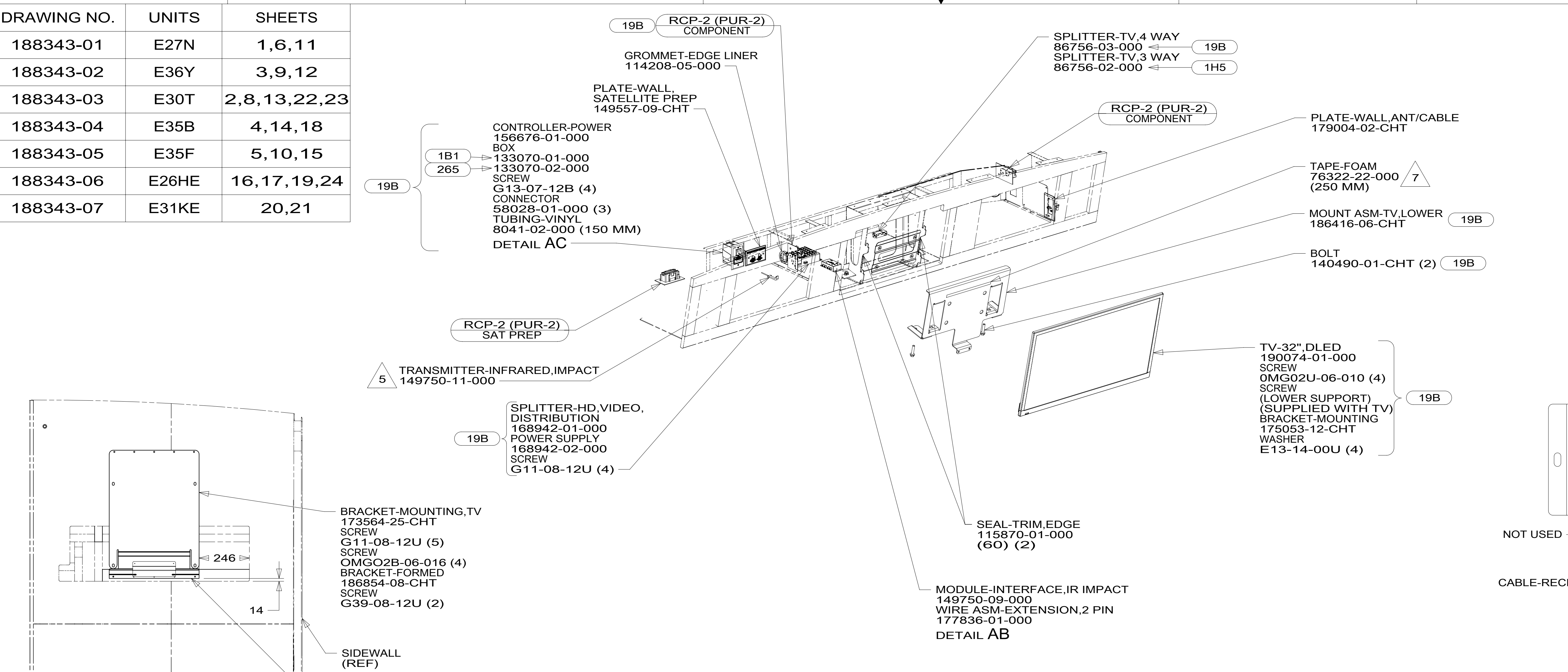
**Danger of electrical shock, burns or death.** Always remove all power sources before attempting any repair, service or diagnostic work. Power can be present from shore power, generator, inverter or battery. All power sources must be disabled and secured before performing any service.



**CAUTION**

If you lack the skills, tools or equipment to perform diagnostic or repair work leave such work to an authorized Winnebago Industries dealer or other qualified shop.

DRAWING NO.	UNITS	SHEETS
188343-01	E27N	1,6,11
188343-02	E36Y	3,9,12
188343-03	E30T	2,8,13,22,23
188343-04	E35B	4,14,18
188343-05	E35F	5,10,15
188343-06	E26HE	16,17,19,24
188343-07	E31KE	20,21



- NOTES:
- 7 PREP SURFACE WITH 87211-01-000.
  - 6 SEE 110V LOAD CENTER FOR ADDITIONAL INFORMATION.
  - 5 ROUTE 1 TRANSMITTER TO EACH SIDE AND COIL FOR FUTURE USE.
  - 4 ROUTE 110V & 12V IN OPPOSITE ENDS OF ELECTRICAL BOX.
  - 3. WHERE WIRES PASS THROUGH HOLES IN STEEL AND NOT OTHERWISE PROTECTED, USE GROMMET 92908-02-000.
  - 2. AT MINIMUM ALL WIRES TO BE SUPPORTED AND SECURED PER CODE REQUIREMENTS. USE CLAMP 10495 OR 10497 OR WIRE TIE 8343 OR 108046 AND SCREW G67-XX-XXX OR G56-XX-XXX AS APPROPRIATE FOR INSTALLATION.
  - 1. 110V WIRE TO BE CLAMPED WITH CLAMP 10497-05-000 WITHIN 200MM OF OUTLET BOXES, USE SCREW G67-10-12B.

- 68K TV-48" COLOR, STEREO W/REMOTE
- 19B TV (FRONT)-32" COLOR STEREO
- 1H5 TV, FRONT-WITHOUT
- 265 CODES/STANDARDS-CSA/CMVSS
- 1B1 CODES/STANDARDS USA

1B1 265 68K

**WINNEBAGO** COPYRIGHT 2014 WINNEBAGO INDUSTRIES, INC.

DFTR	ORIG. DATE
CHKR	ALL DIMENSIONS ARE IN MILLIMETERS
P.E.	FIRST USED
M.E.	
DSNR	<b>15 E-SERIES</b>

UNSPECIFIED TOLERANCES ARE: MATERIAL:

WHOLE DIM (X) :  
 ONE-PLACE (X.X) :  
 TWO-PLACE (X.XX) :  
 ANGLE :

THIRD ANGLE PROJECTION

DO NOT SCALE DRAWING REFER TO ES0018 FOR FASTENER TIGHTENING GUIDELINES

TITLE: **WIRING INSTL-TV/DVD**

SHEET 1 OF 24 PART NO. 188343 REV

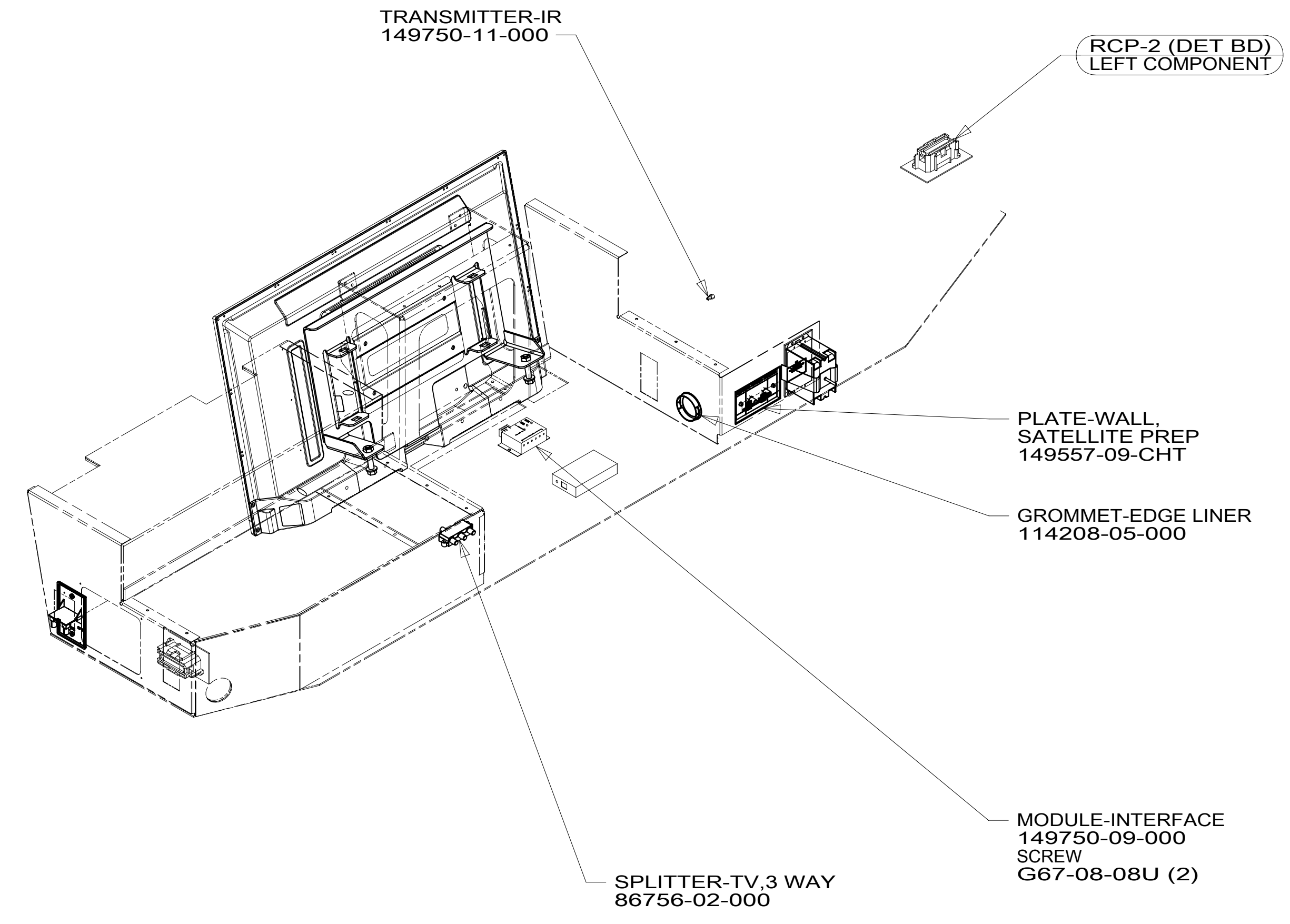
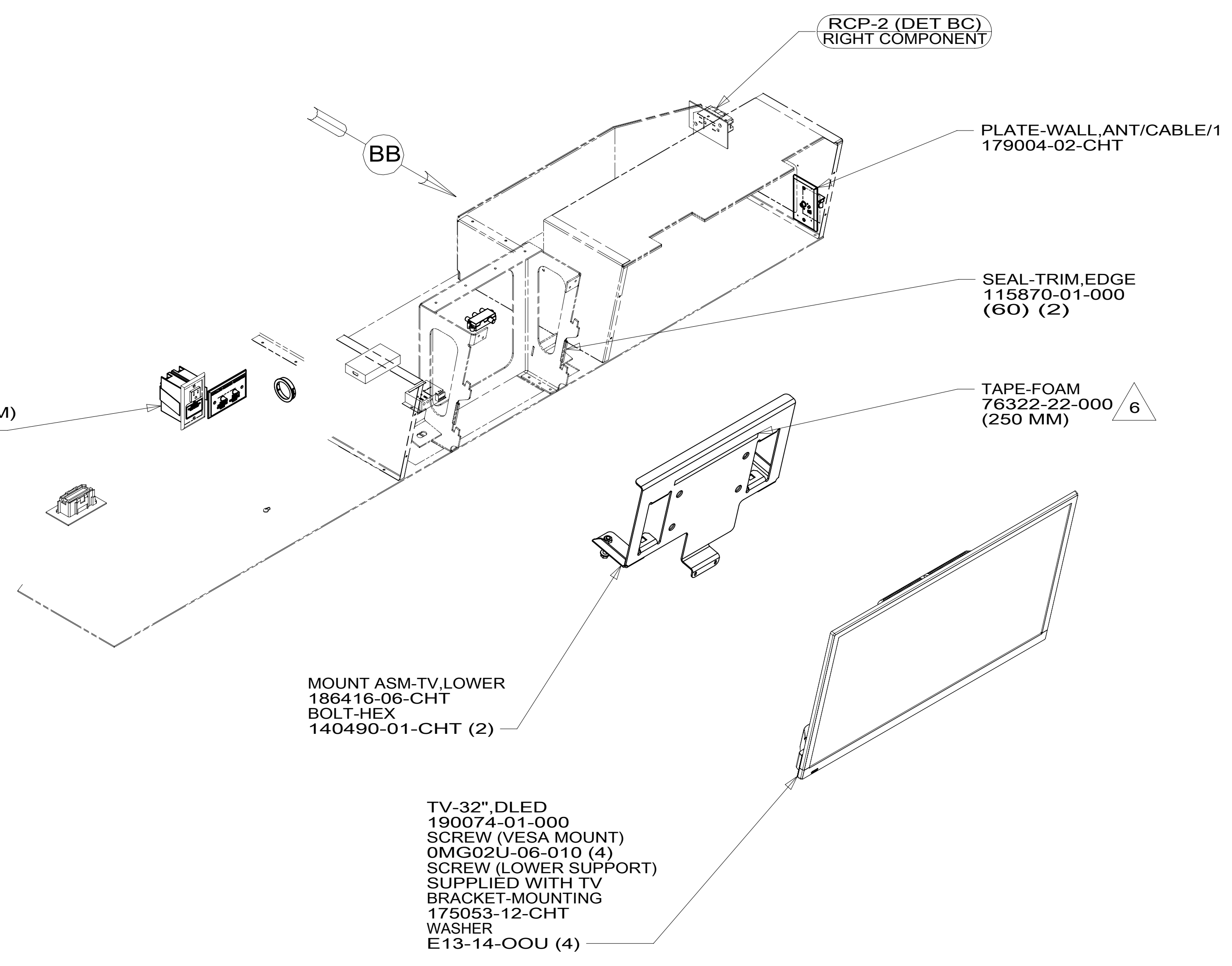
REF: 1 04-Sep-2015

FOR ELECTRICAL TORQUE SPECIFICATIONS SEE DWG NO. 128783-01-000

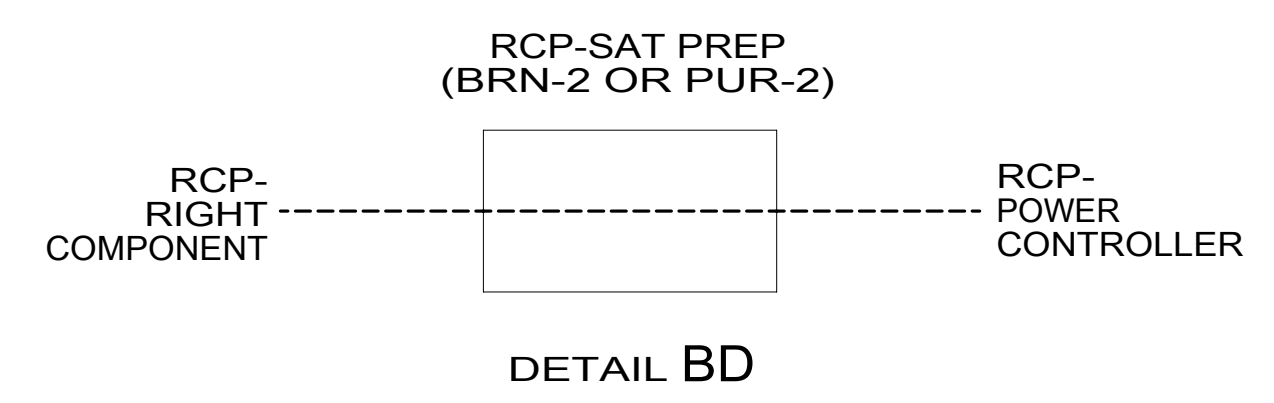
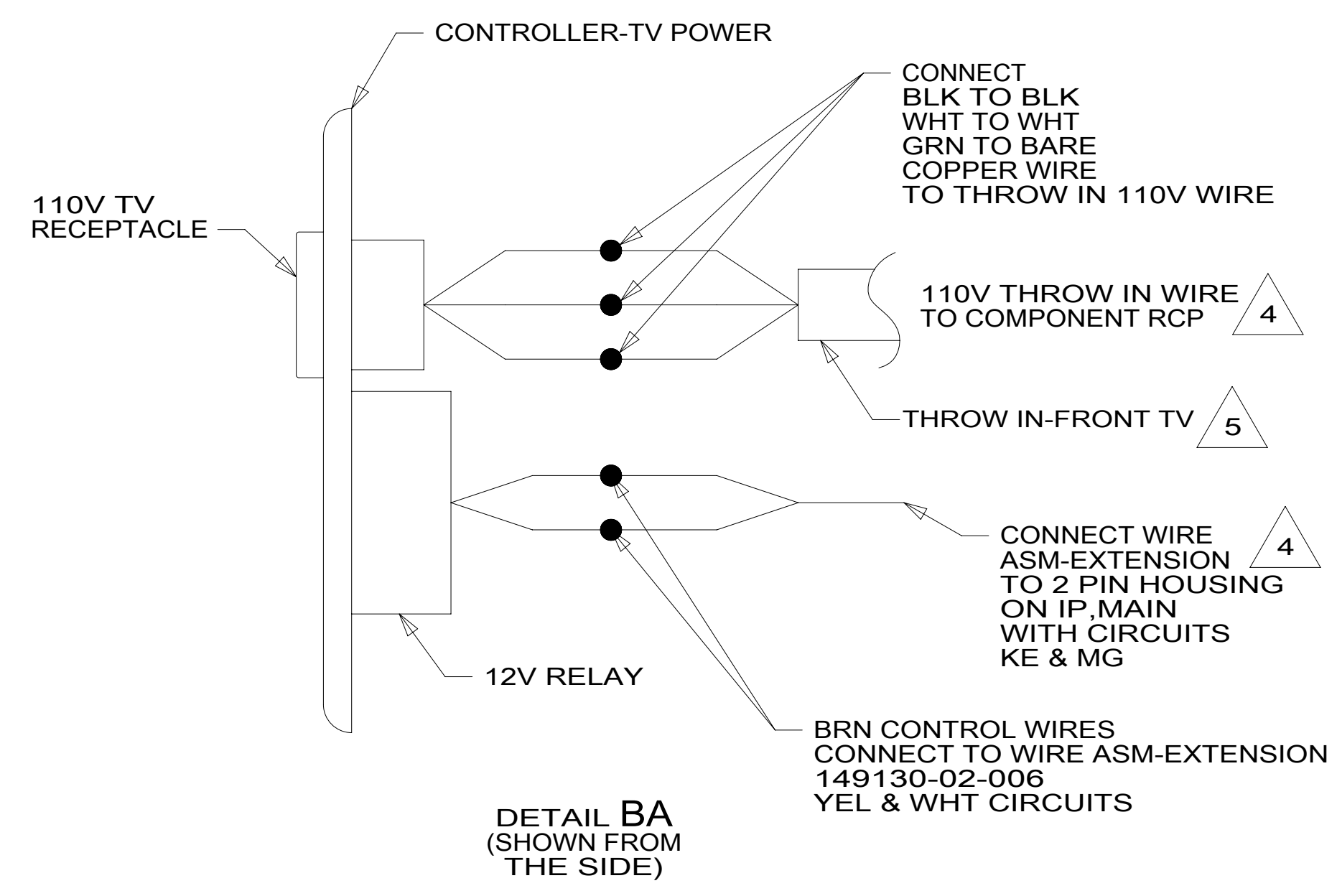
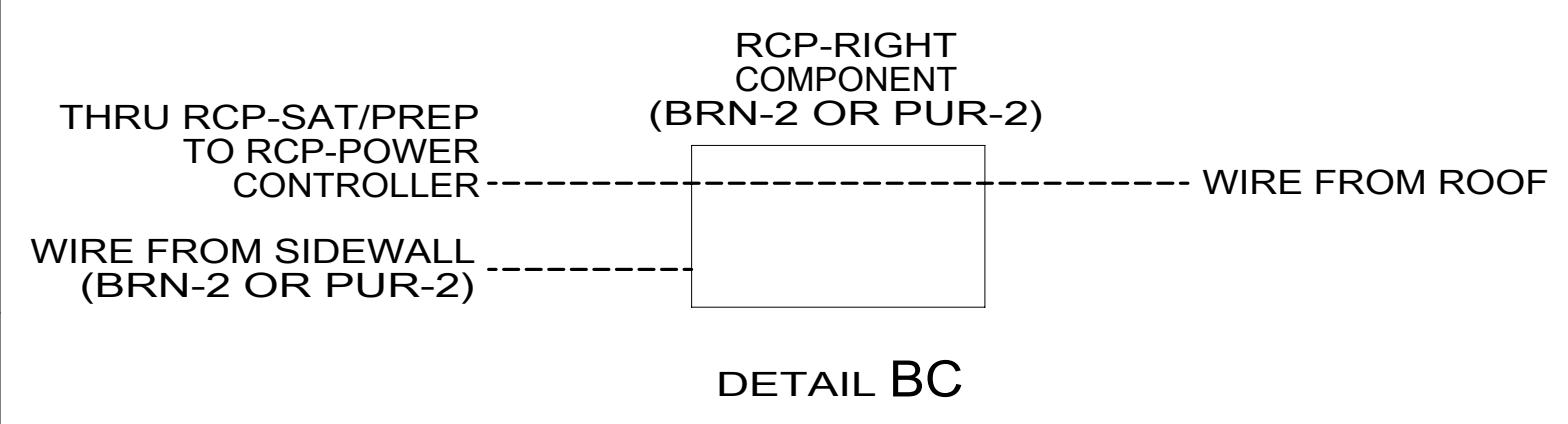
X-X FOR ELECTRICAL CALLOUTS SEE DWG NO. 121339-01-000

\*188343\*

- CONTROLLER-POWER  
156676-01-000
- BOX
- 1B1 → 133070-01-000
- 265 → 133070-02-000
- SCREW  
G 13-07-12U (4)
- CONNECTOR  
58028-01-000 (5)
- TUBING-VINYL  
8041-02-000 (150MM)
- DETAIL BA



VIEW BB



- 6 PREP SURFACE WITH 87211-01-000.
  - 5 SEE 110V LOAD CENTER ASM FOR ADDITIONAL INFORMATION.
  - 4 ROUTE 110V AND 12V WIRES IN OPPOSITE ENDS OF ELECTRICAL BOX.
3. WHERE WIRES PASS THROUGH HOLES IN STEEL AND NOT OTHERWISE PROTECTED, USE GROMMET 92908-02-000.
  2. ALL WIRES TO BE SECURED WITH CLAMP 10495-01-000 OR CLIP 80734-01-000 EVERY 600MM. USE SCREW G67-10-12B UNLESS OTHERWISE SPECIFIED.
  1. 110V WIRE TO BE CLAMPED WITH CLAMP 10497-05-000 WITHIN 200MM OF OUTLET BOXES, USE SCREW G67-10-12B.

NOTES:

FOR ELECTRICAL TORQUE SPECIFICATIONS SEE DWG NO. 128783-01-000

FOR ELECTRICAL CALLOUTS SEE DWG NO. 121339-01-000

- 1D3 ENTERTAIN CENTR/EXT TV-DVD
- 42K TV-32" COLOR, STEREO W/REMOTE
- 265 CODES/STANDARDS-CSA/CMVSS
- 1B1 CODES/STANDARDS USA

FIRST USED	
<b>15 E-SERIES</b>	
DO NOT SCALE DRAWING	
TITLE: <b>WIRING INSTL-TV/DVD</b>	
SHEET 2	PART NO <b>188343</b> REV

\*188343\*

WIRE TIE IS TO BE ROUTED THROUGH HOLE IN LOWER BRACKET AS SHOWN TO PROPERLY SUPPORT CABLE ASM (2) PLACES

CLAMP-CABLE 10495-01-000 (2) SCREW G11-08-16U (2)

TIE-WIRE 8343-04-000 (2)

CLAMP-CLOSED 10497-02-000 (2) SCREW G11-08-16U (2)

CLAMP-CABLE 10495-01-000 SCREW G11-08-16U

RCP-2 (PUR-2) RIGHT COMPONENT

TRANSMITTER-INFRARED,IMPACT 149750-11-000

RCP-2 (PUR-2) SAT PREP

PLATE-WALL, SATELLITE PREP 149557-09-CHT SCREW G67-10-08U (2)

GROMMET-EDGE LINER 114208-05-000

RCP-1 (PUR-2) HDMI

CONVERTER-HDMI/CAT6 (TRANSMITTER) 178304-02-000 DUAL LOCK 85774-01-000 (50 MM) (2) 85774-02-000 (50 MM) (2)

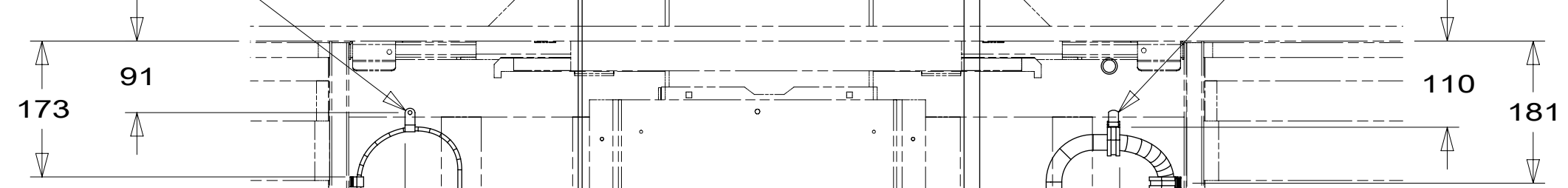
MODULE-INTERFACE,IR IMPACT 149750-09-000 WIRE ASM-EXTENSION,2 PIN 177836-01-000  
DETAIL CB

PLATE-WALL,ANT/CABLE/1 179004-02-CHT

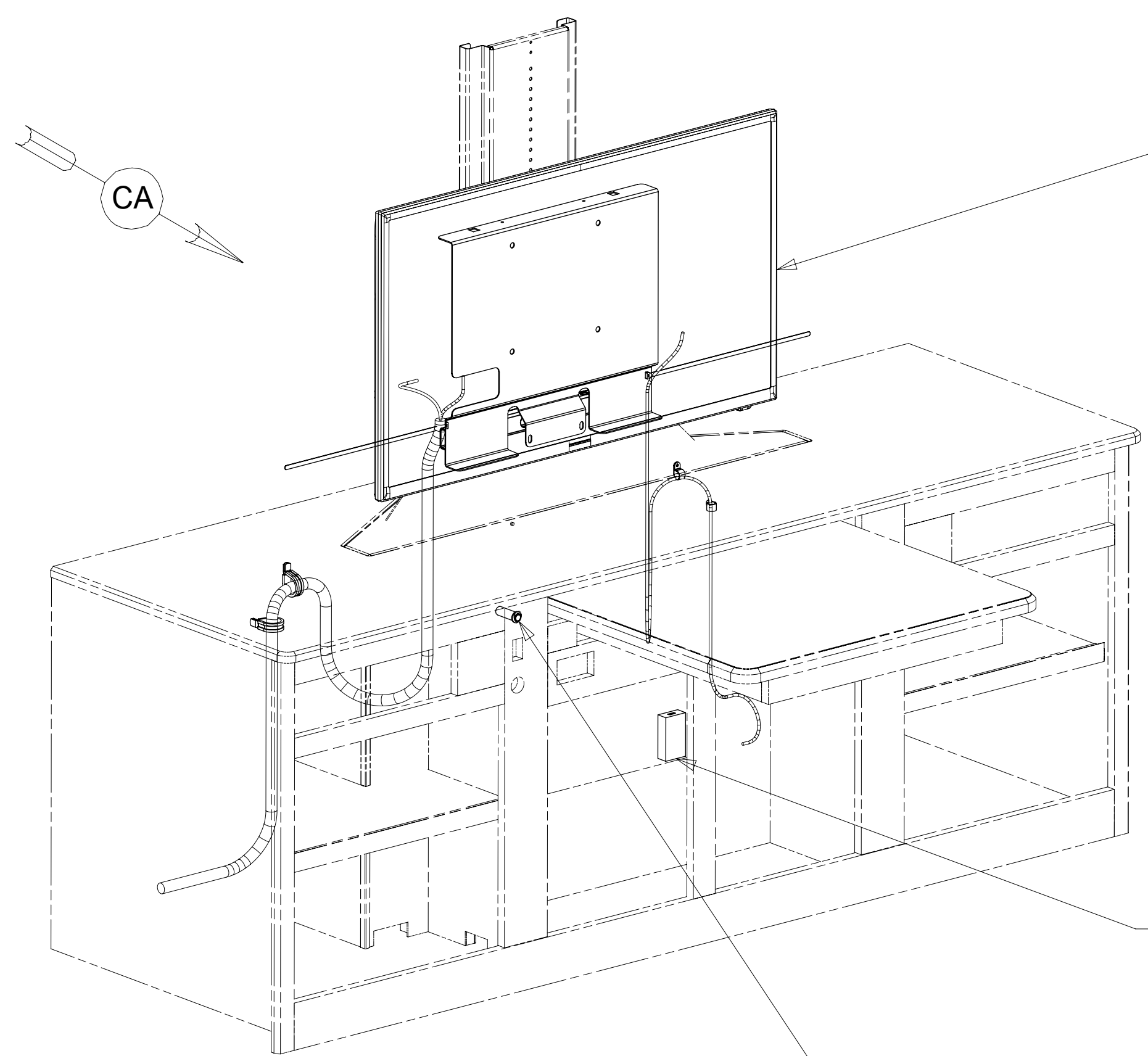
SPLITTER-HD,VIDEO 168942-01-000 POWER SUPPLY 168942-02-00 SCREW G11-08-12U (4)

SPLITTER-TV,3 WAY 86756-02-000

WIRE ASM-COACH (REF)



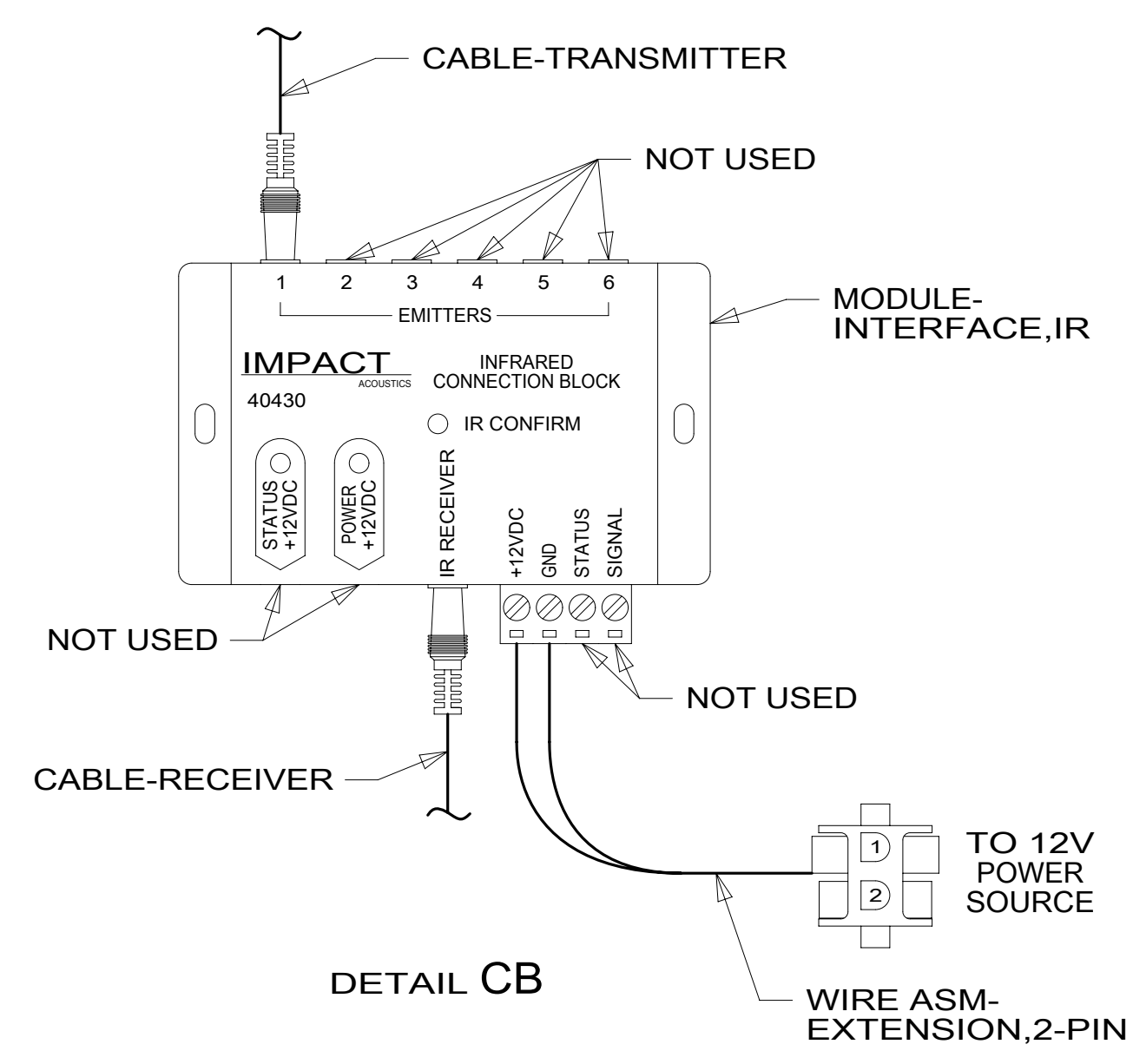
VIEW CA



TV-40" FLAT PANEL ELED,HDTV 194364-01-000 SCREW (SUPPLIED W/TV) (TV TO BRACKET) BRACKET ASM-MOUNTING,TV 194541-01-CHT SCREW G39-10-12U (2) (TOP TUBE TO TV BRACKET)

CONVERTER-HDMI/CAT6 (RECEIVER) DUAL LOCK 85774-01-000 (50 MM) (2) 85774-02-000 (50 MM) (2) TO SIDEWALL

RECEIVER-INFRARED,IMPACT 149750-13-000



DETAIL CB

- 1DF EXT TV ENTERTAINMENT CENTER
- 21R DINING/BUFFET/POWERED TV
- 265 CODES/STANDARDS-CSA/CMVSS
- 1B1 CODES/STANDARDS USA

1B1 265 21R 1H5

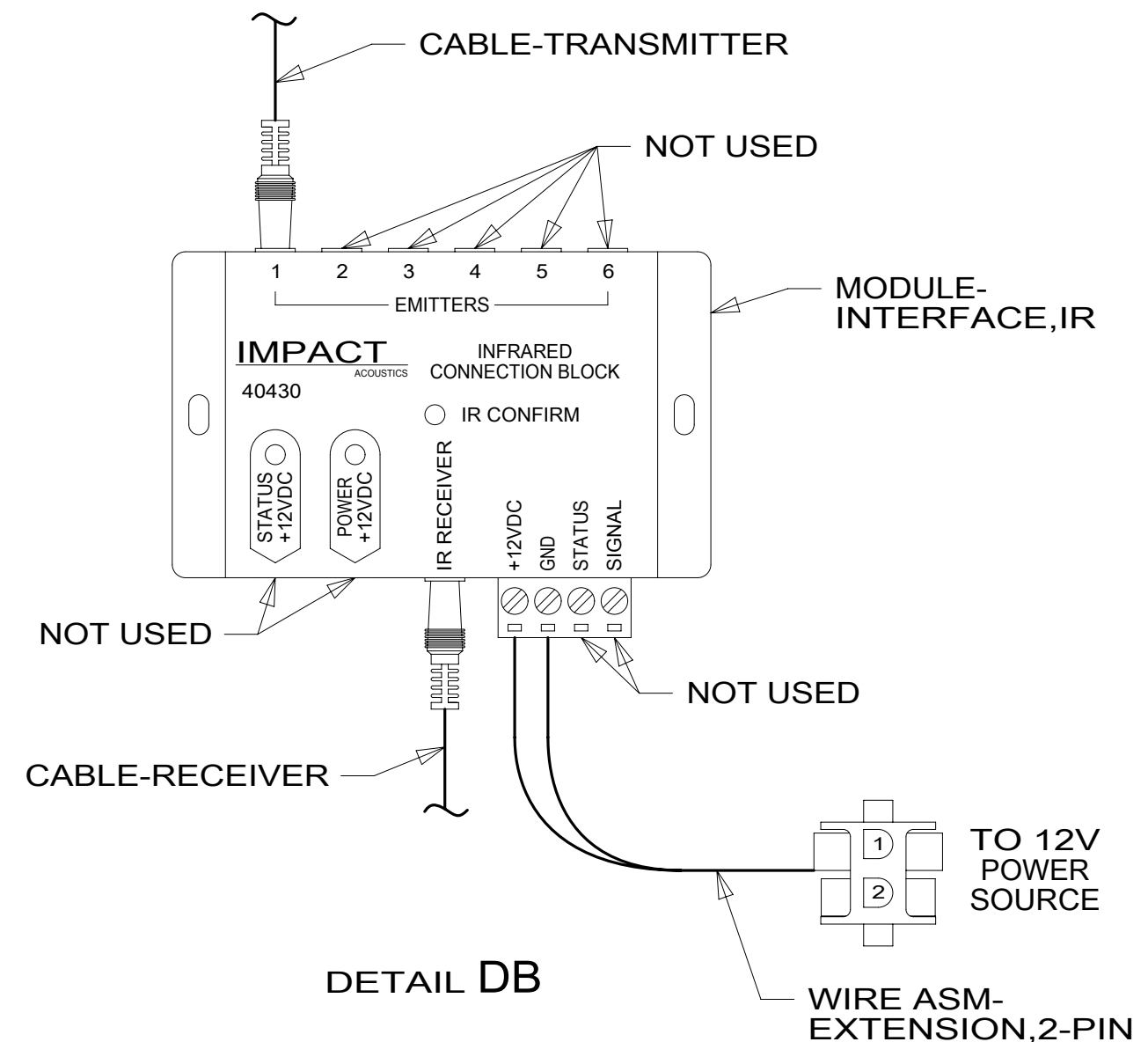
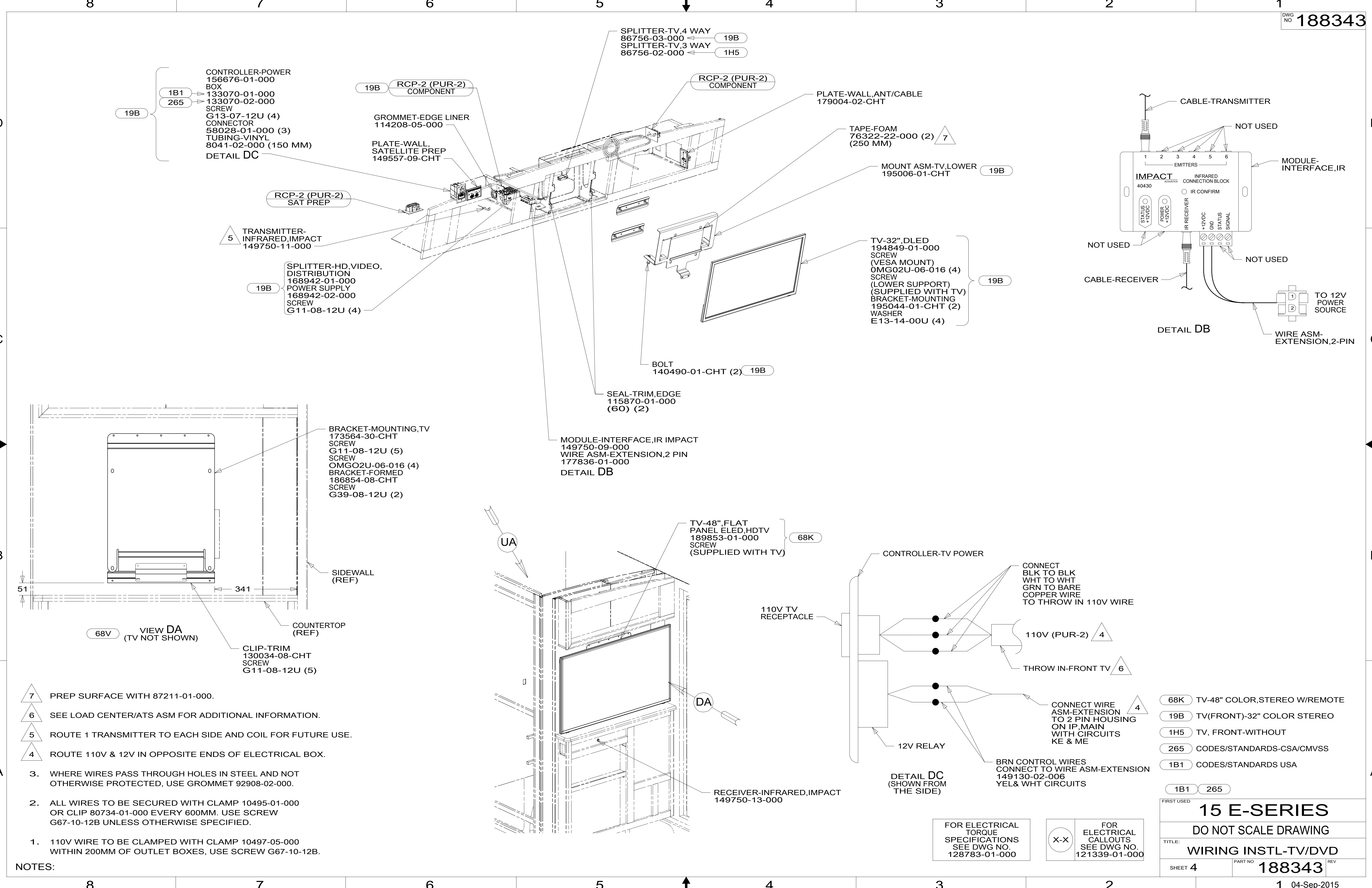
FIRST USED	15 E36Y
TITLE:	DO NOT SCALE DRAWING
	WIRING INSTL-TV/DVD
SHEET 3	PART NO. 188343 REV

FOR ELECTRICAL TORQUE SPECIFICATIONS SEE DWG NO. 128783-01-000

FOR ELECTRICAL CALLOUTS SEE DWG NO. 121339-01-000

NOTES:  
1 ROUTE 1 TRANSMITTER TO EACH SIDE AND COIL FOR FUTURE USE.

\*188343\*



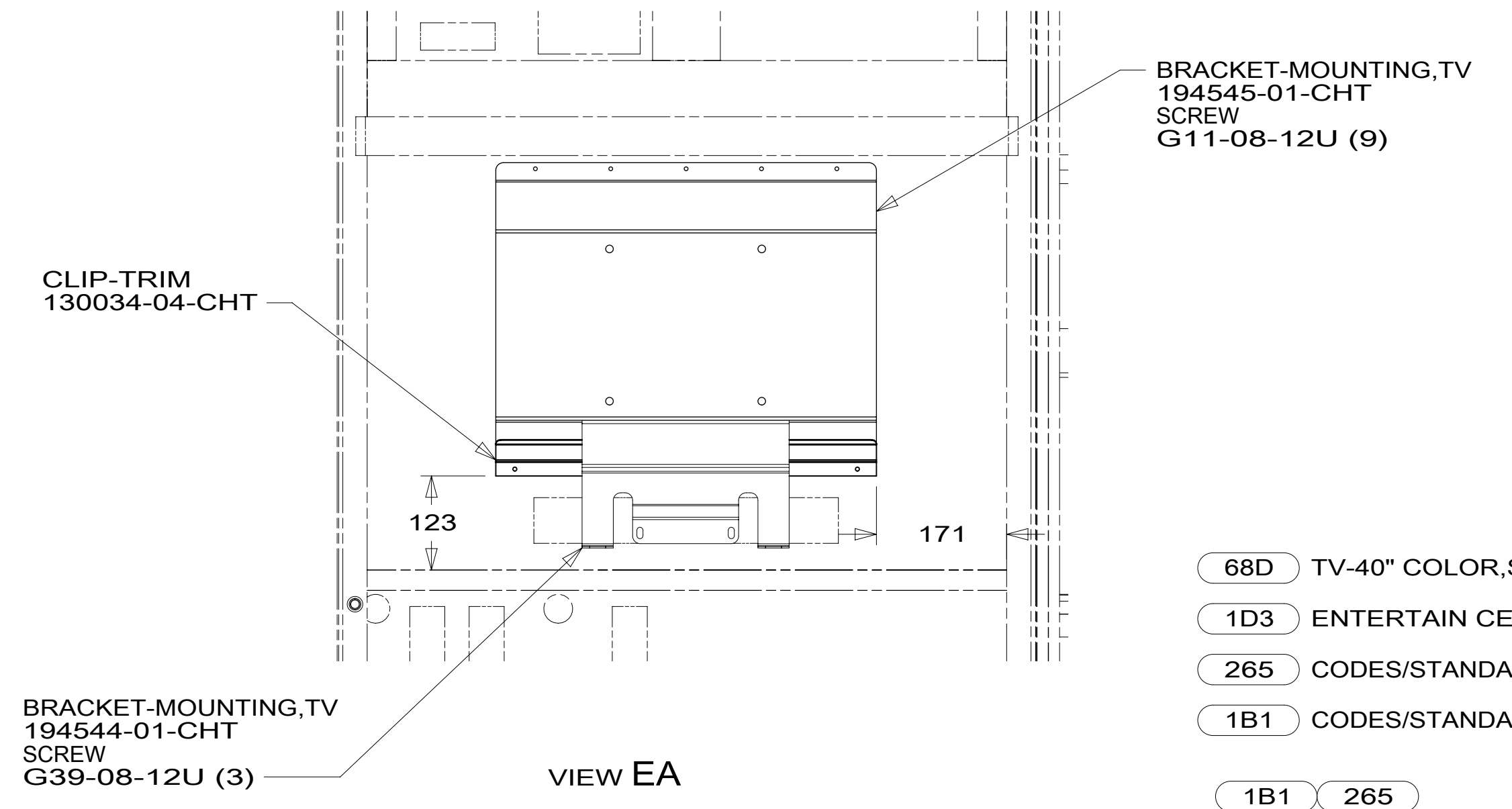
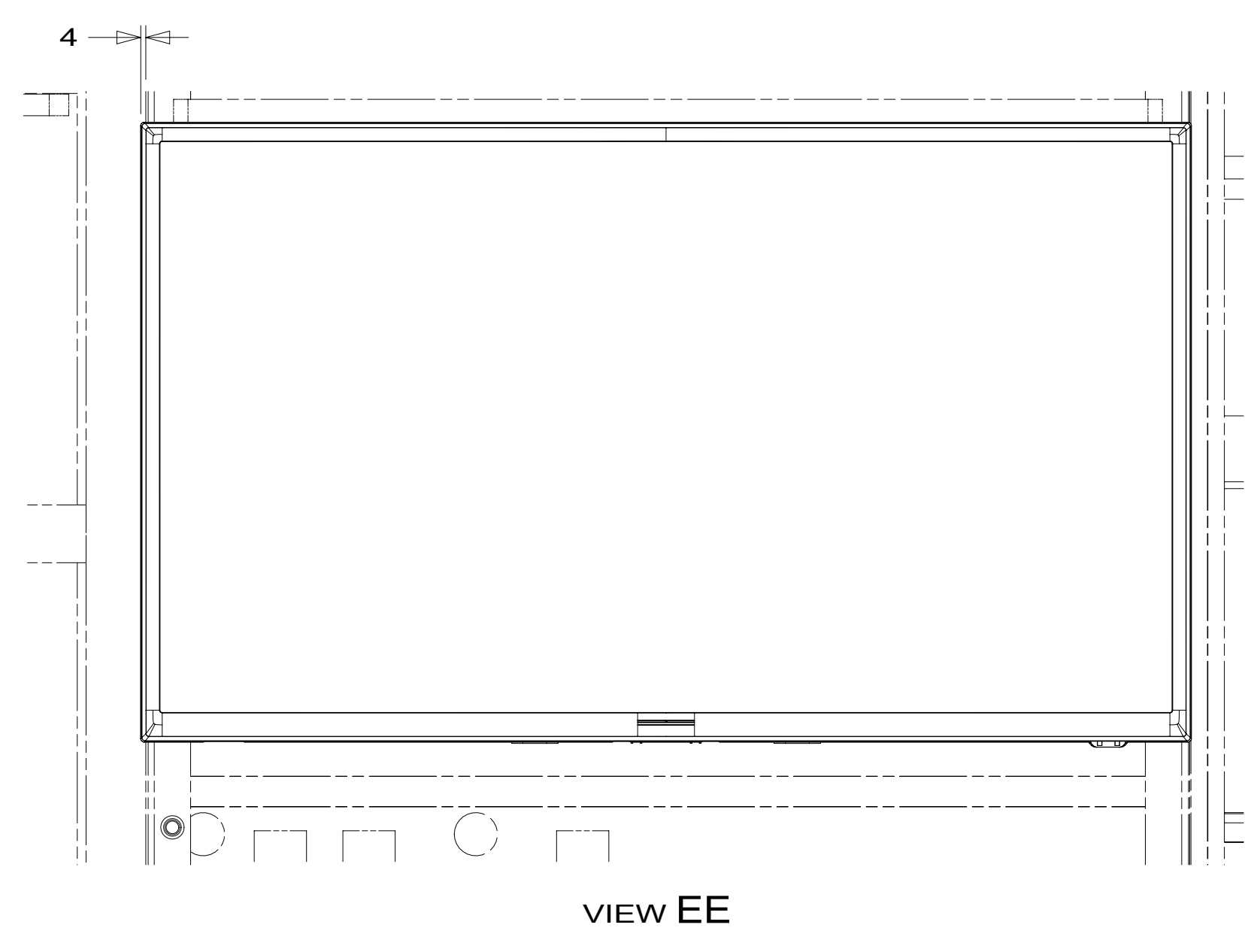
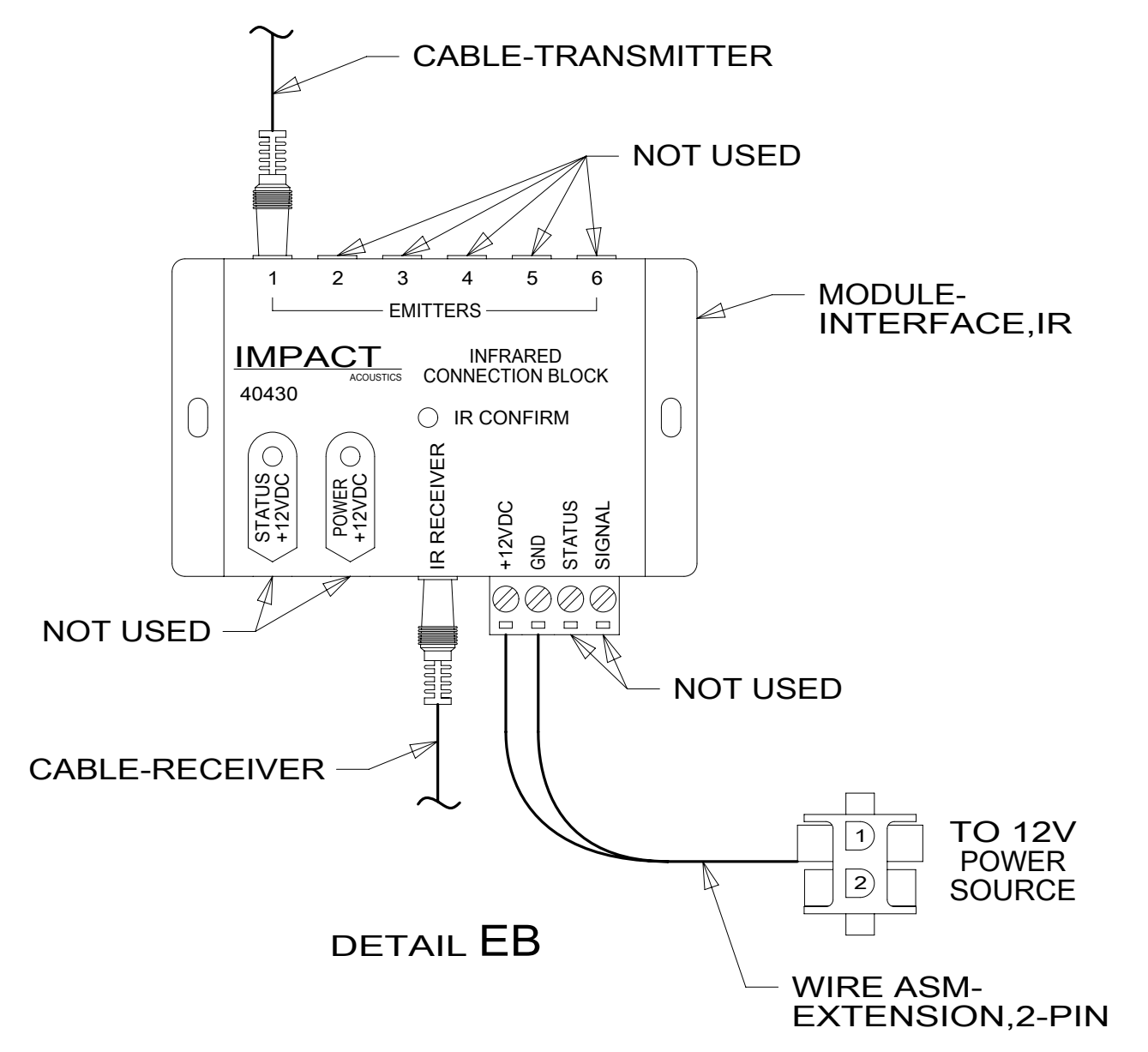
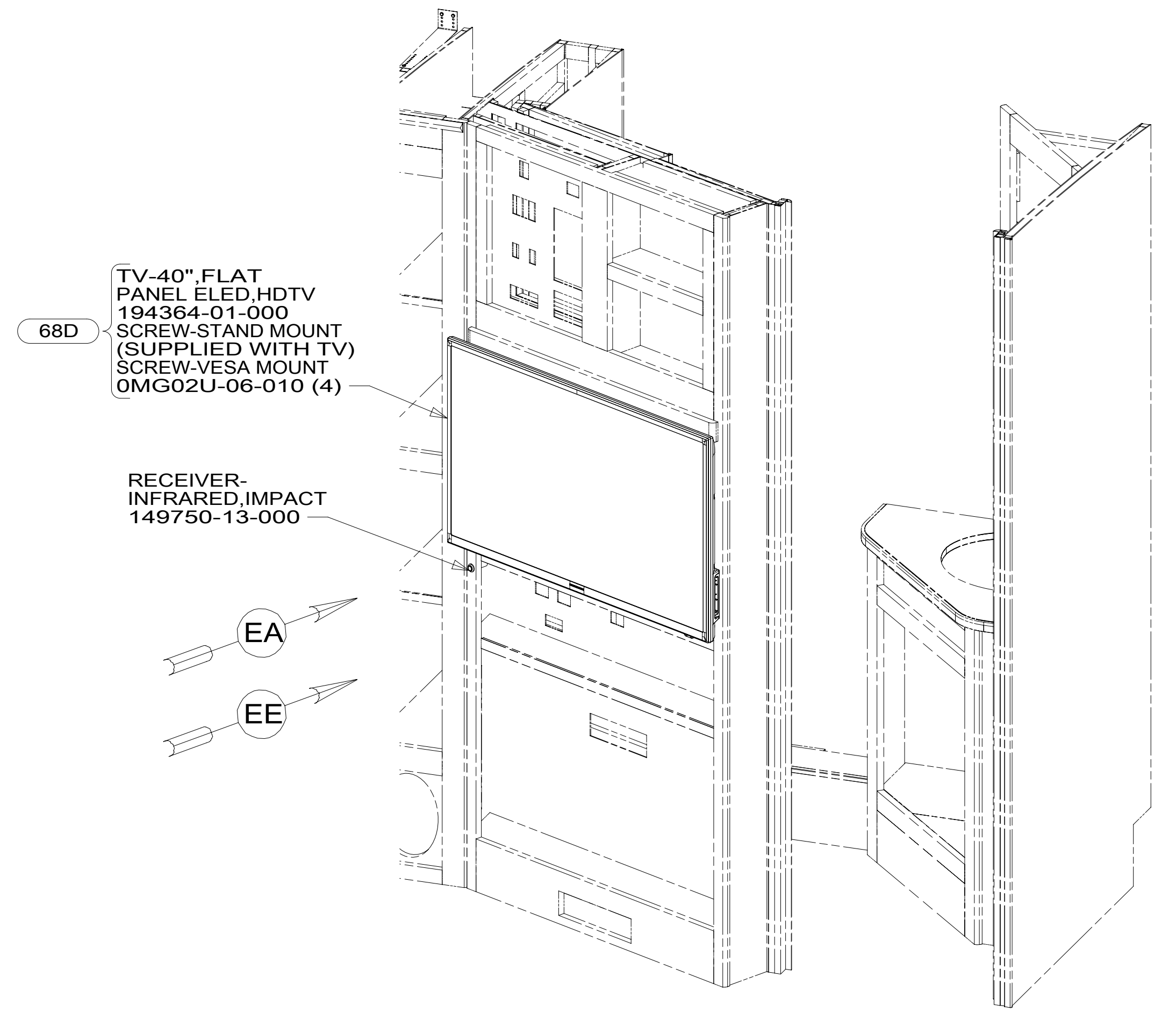
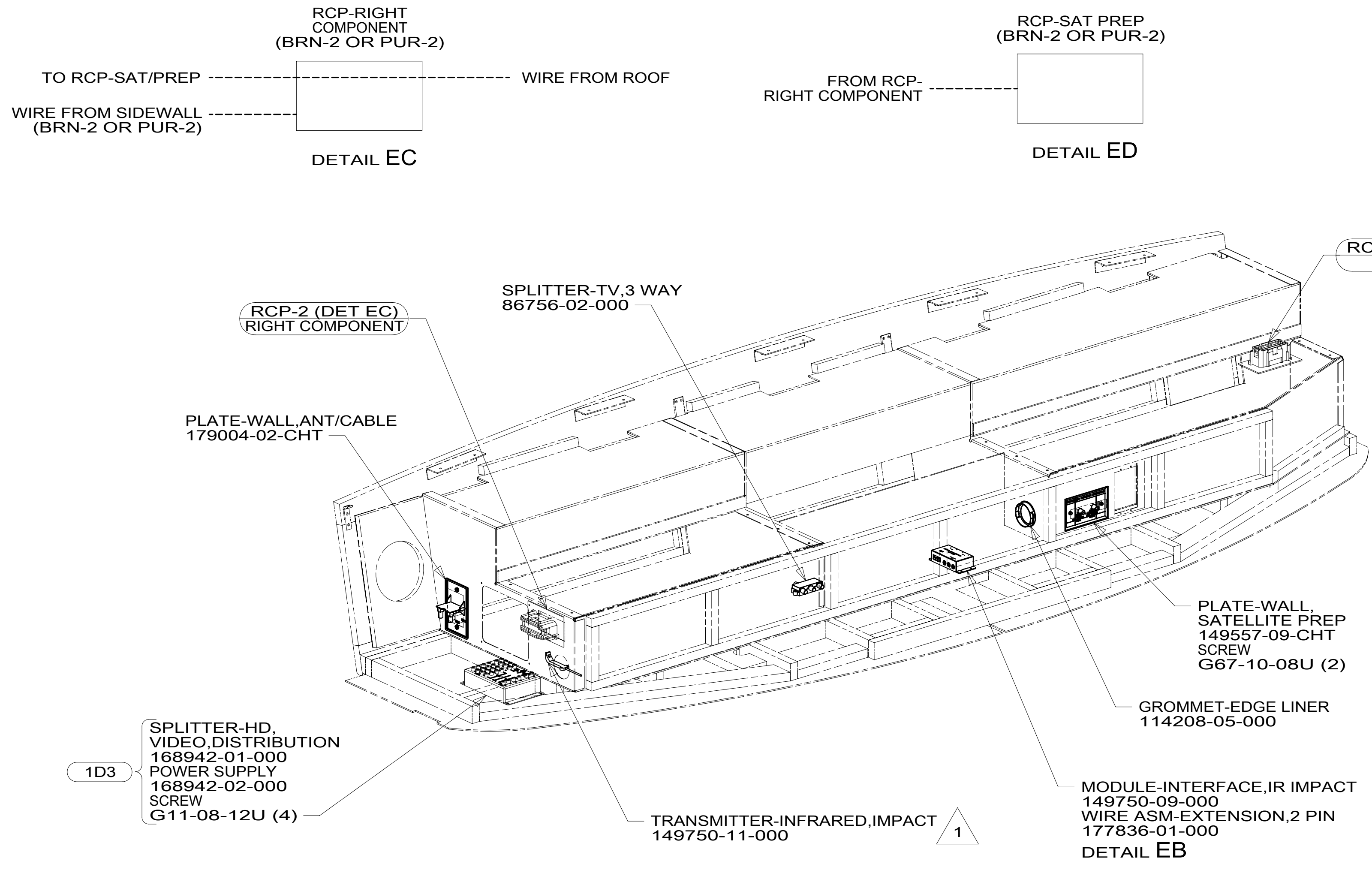
- NOTES:**
- 110V WIRE TO BE CLAMPED WITH CLAMP 10497-05-000 WITHIN 200MM OF OUTLET BOXES, USE SCREW G67-10-12B.
  - ALL WIRES TO BE SECURED WITH CLAMP 10495-01-000 OR CLIP 80734-01-000 EVERY 600MM. USE SCREW G67-10-12B UNLESS OTHERWISE SPECIFIED.
  - WHERE WIRES PASS THROUGH HOLES IN STEEL AND NOT OTHERWISE PROTECTED, USE GROMMET 92908-02-000.
- 7 PREP SURFACE WITH 87211-01-000.
- 6 SEE LOAD CENTER/ATS ASM FOR ADDITIONAL INFORMATION.
- 5 ROUTE 1 TRANSMITTER TO EACH SIDE AND COIL FOR FUTURE USE.
- 4 ROUTE 110V & 12V IN OPPOSITE ENDS OF ELECTRICAL BOX.

FOR ELECTRICAL TORQUE SPECIFICATIONS SEE DWG NO. 128783-01-000

X-X FOR ELECTRICAL CALLOUTS SEE DWG NO. 121339-01-000

68K	TV-48" COLOR, STEREO W/REMOTE
19B	TV (FRONT)-32" COLOR STEREO
1H5	TV, FRONT-WITHOUT
265	CODES/STANDARDS-CSA/CMVSS
1B1	CODES/STANDARDS USA
1B1	265
FIRST USED	
<b>15 E-SERIES</b>	
DO NOT SCALE DRAWING	
TITLE: <b>WIRING INSTL-TV/DVD</b>	
SHEET 4	PART NO <b>188343</b> REV
1 04-Sep-2015	

\*188343\*



1 ROUTE 1 TRANSMITTER TO EACH SIDE AND COIL FOR FUTURE USE.

NOTES:

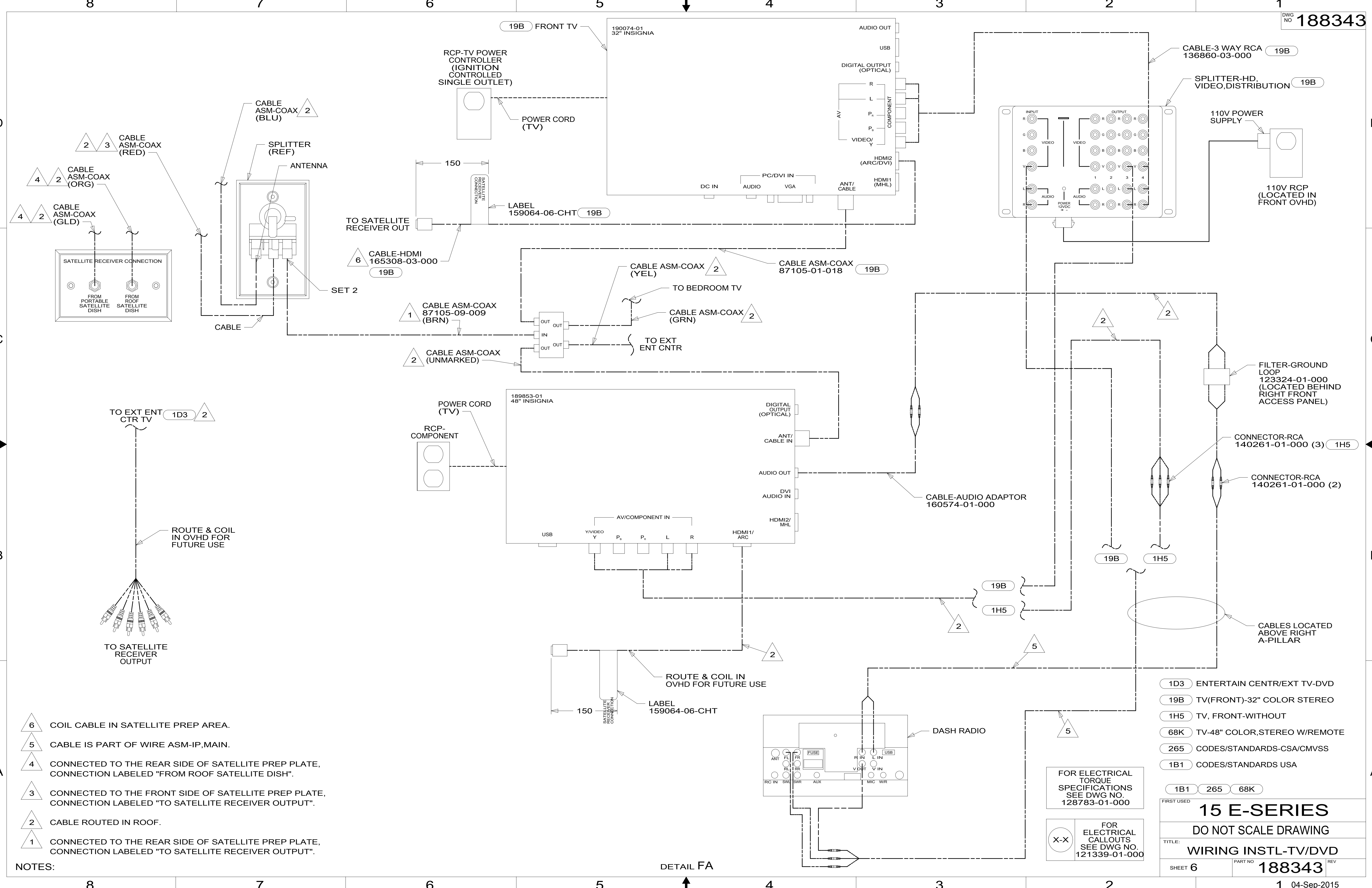
FOR ELECTRICAL TORQUE SPECIFICATIONS SEE DWG NO. 128783-01-000

X-X FOR ELECTRICAL CALLOUTS SEE DWG NO. 121339-01-000

- 68D TV-40" COLOR, STEREO W/REMOTE
- 1D3 ENTERTAIN CENTR/EXT TV-DVD
- 265 CODES/STANDARDS-CSA/CMVSS
- 1B1 CODES/STANDARDS USA

FIRST USED	
<b>15 E35F</b>	
DO NOT SCALE DRAWING	
TITLE: <b>WIRING INSTL-TV/DVD</b>	
SHEET 5	PART NO <b>188343</b> REV
1 04-Sep-2015	

\*188343\*



- NOTES:
- 6 COIL CABLE IN SATELLITE PREP AREA.
  - 5 CABLE IS PART OF WIRE ASM-IP, MAIN.
  - 4 CONNECTED TO THE REAR SIDE OF SATELLITE PREP PLATE, CONNECTION LABELED "FROM ROOF SATELLITE DISH".
  - 3 CONNECTED TO THE FRONT SIDE OF SATELLITE PREP PLATE, CONNECTION LABELED "TO SATELLITE RECEIVER OUTPUT".
  - 2 CABLE ROUTED IN ROOF.
  - 1 CONNECTED TO THE REAR SIDE OF SATELLITE PREP PLATE, CONNECTION LABELED "TO SATELLITE RECEIVER OUTPUT".

- 1D3 ENTERTAIN CENTR/EXT TV-DVD
- 19B TV(FRONT)-32" COLOR STEREO
- 1H5 TV, FRONT-WITHOUT
- 68K TV-48" COLOR, STEREO W/REMOTE
- 265 CODES/STANDARDS-CSA/CMVSS
- 1B1 CODES/STANDARDS USA

FOR ELECTRICAL TORQUE SPECIFICATIONS SEE DWG NO. 128783-01-000

FOR ELECTRICAL CALLOUTS SEE DWG NO. 121339-01-000

FIRST USED

### 15 E-SERIES

DO NOT SCALE DRAWING

TITLE: **WIRING INSTL-TV/DVD**

SHEET 6 PART NO **188343** REV

1 04-Sep-2015

DETAIL FA

\*188343\*

THIS SHEET NOT USED

FIRST USED		
<b>15 E-SERIES</b>		
DO NOT SCALE DRAWING		
TITLE:		
<b>WIRING INSTL-TV/DVD</b>		
SHEET 7	PART NO	REV
	<b>188343</b>	

\*188343 \*A

8

7

6

5

↓

4

3

2

1

D

D

C

C

B

B

A

A

→

←

8

7

6

5

↑

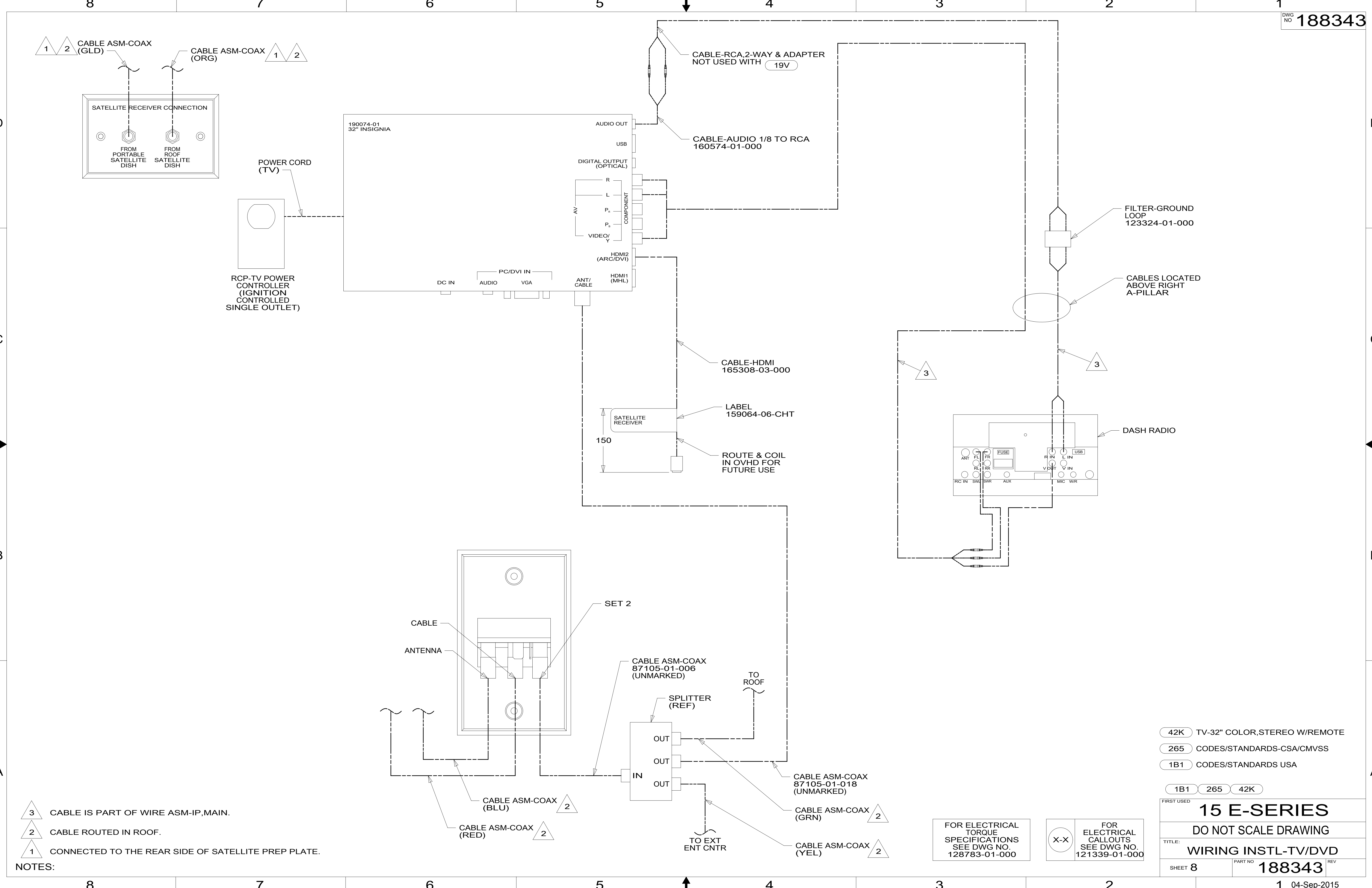
4

3

2

1





- NOTES:
- 3 CABLE IS PART OF WIRE ASM-IP.MAIN.
  - 2 CABLE ROUTED IN ROOF.
  - 1 CONNECTED TO THE REAR SIDE OF SATELLITE PREP PLATE.

- 42K TV-32" COLOR,STEREO W/REMOTE
- 265 CODES/STANDARDS-CSA/CMVSS
- 1B1 CODES/STANDARDS USA

1B1 265 42K

FIRST USED

**15 E-SERIES**

DO NOT SCALE DRAWING

TITLE: **WIRING INSTL-TV/DVD**

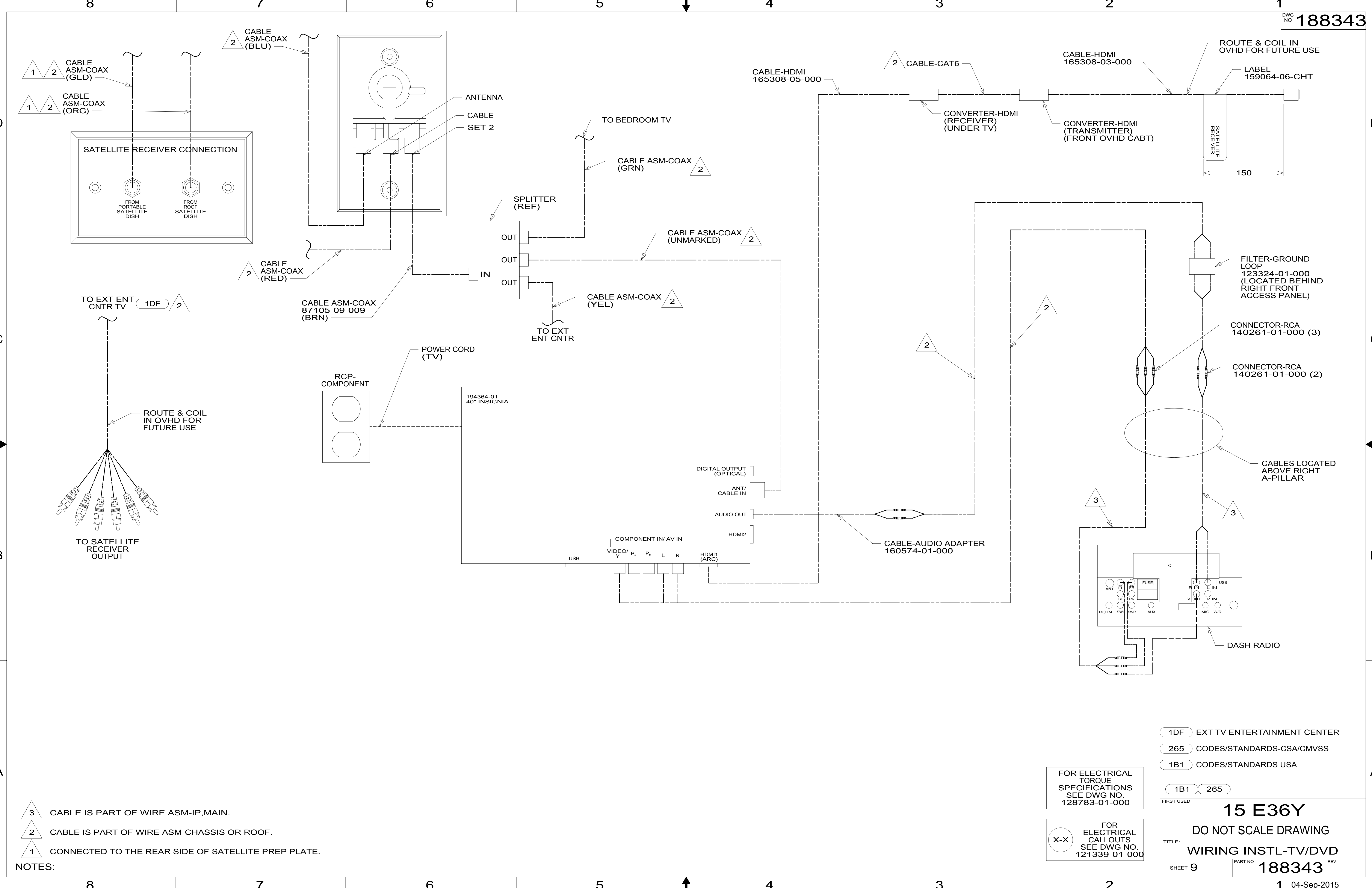
SHEET 8 PART NO **188343** REV

1 04-Sep-2015

FOR ELECTRICAL TORQUE SPECIFICATIONS SEE DWG NO. 128783-01-000

FOR ELECTRICAL CALLOUTS SEE DWG NO. 121339-01-000

\*188343\*



- NOTES:
- 3 CABLE IS PART OF WIRE ASM-IP.MAIN.
  - 2 CABLE IS PART OF WIRE ASM-CHASSIS OR ROOF.
  - 1 CONNECTED TO THE REAR SIDE OF SATELLITE PREP PLATE.

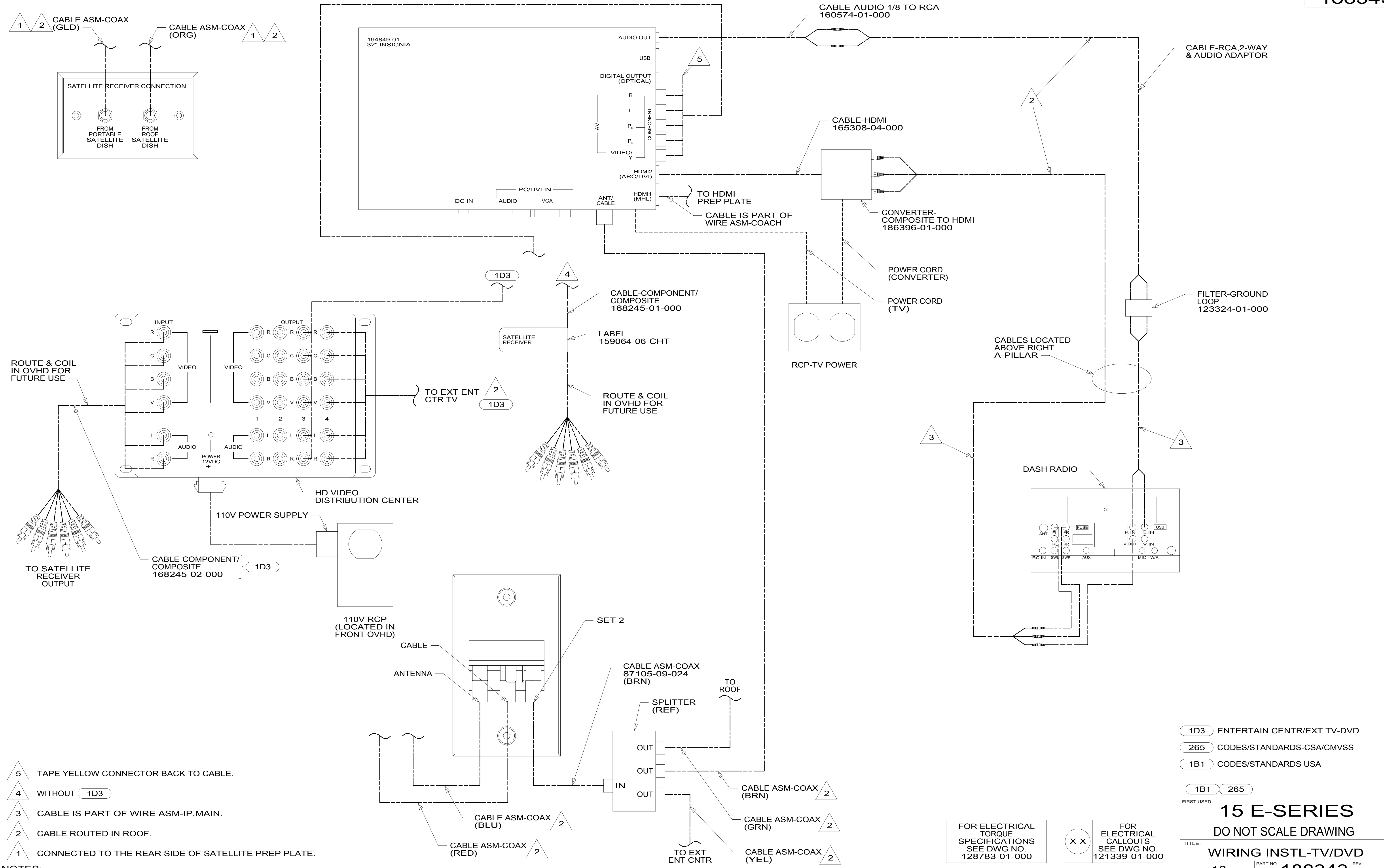
- 1DF EXT TV ENTERTAINMENT CENTER
- 265 CODES/STANDARDS-CSA/CMVSS
- 1B1 CODES/STANDARDS USA

FOR ELECTRICAL TORQUE SPECIFICATIONS SEE DWG NO. 128783-01-000

X-X FOR ELECTRICAL CALLOUTS SEE DWG NO. 121339-01-000

FIRST USED	15 E36Y
TITLE:	DO NOT SCALE DRAWING
	WIRING INSTL-TV/DVD
SHEET 9	PART NO. 188343 REV
	04-Sep-2015

\*188343\*A



- NOTES:
- 5 TAPE YELLOW CONNECTOR BACK TO CABLE.
  - 4 WITHOUT 1D3
  - 3 CABLE IS PART OF WIRE ASM-IP.MAIN.
  - 2 CABLE ROUTED IN ROOF.
  - 1 CONNECTED TO THE REAR SIDE OF SATELLITE PREP PLATE.

- 1D3 ENTERTAIN CENTR/EXT TV-DVD
- 265 CODES/STANDARDS-CSA/CMVSS
- 1B1 CODES/STANDARDS USA

FIRST USED

**15 E-SERIES**

DO NOT SCALE DRAWING

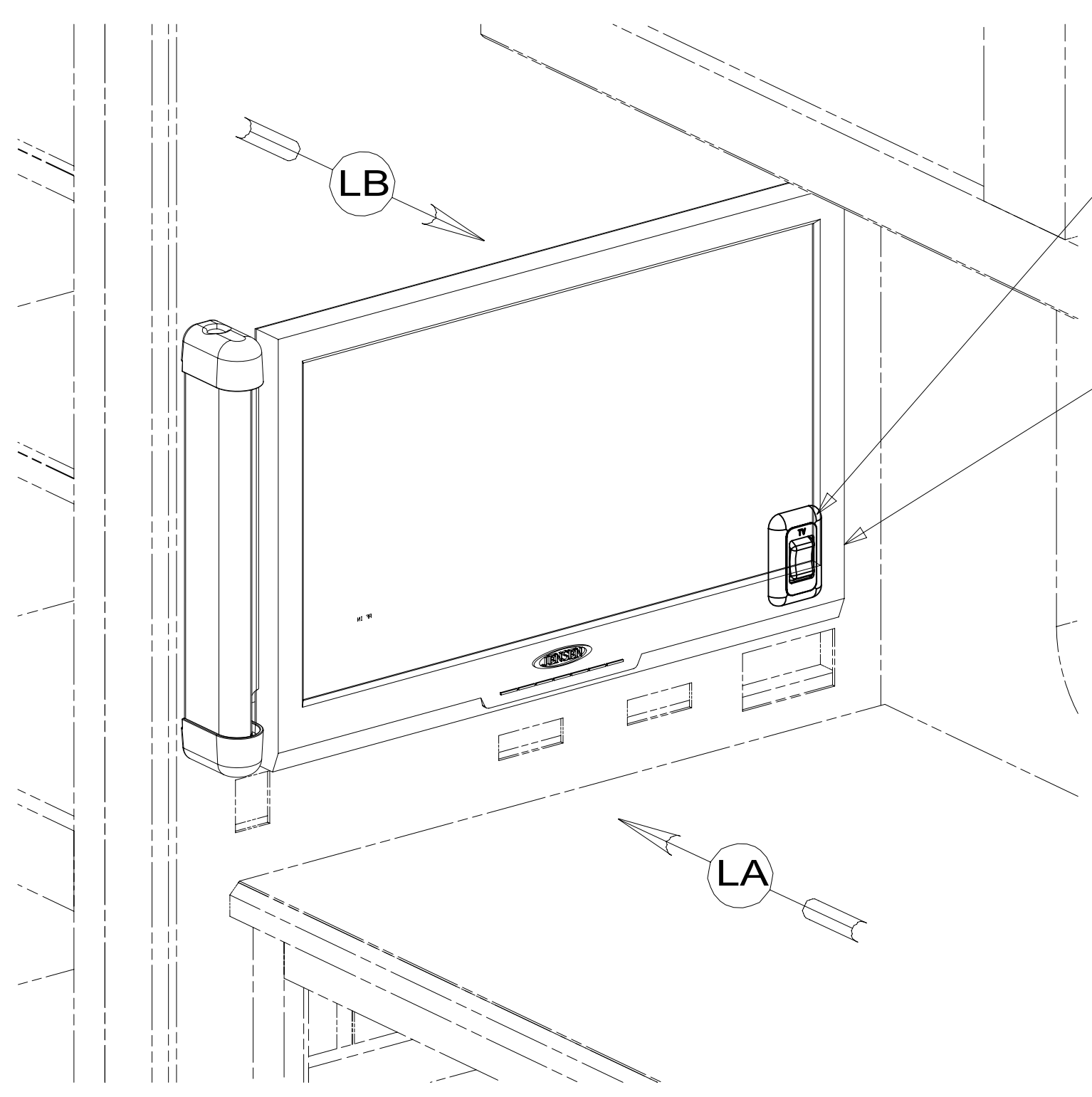
TITLE: **WIRING INSTL-TV/DVD**

SHEET 10 PART NO **188343** REV

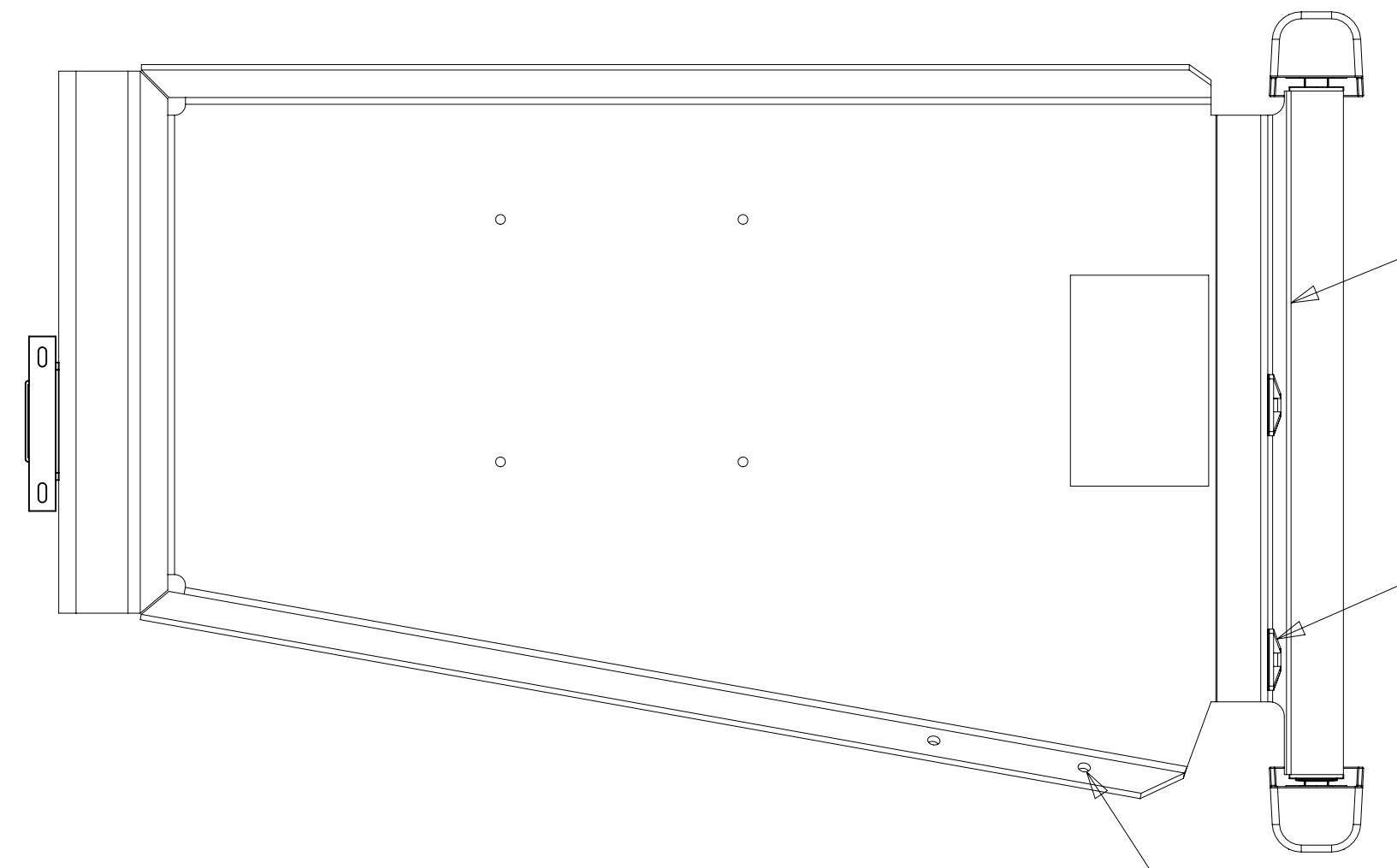
FOR ELECTRICAL TORQUE SPECIFICATIONS SEE DWG NO. 128783-01-000

FOR ELECTRICAL CALLOUTS SEE DWG NO. 121339-01-000

\*188343\*



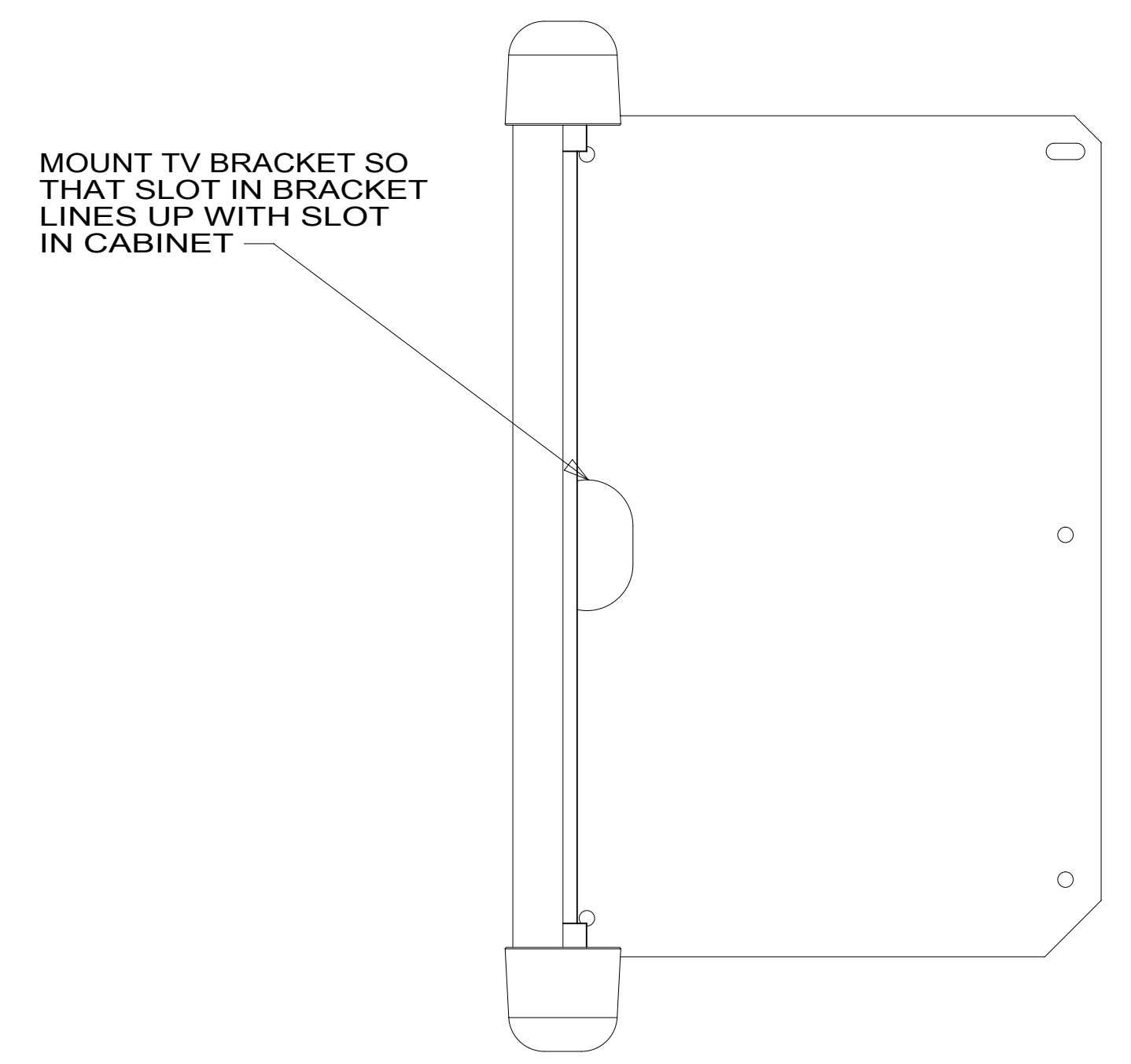
- SWITCH-ROCKER  
135740-01-CHT
- SWITCH-BASE  
135741-01-CHT
- SWITCH-BEZEL  
135742-45-CHT
- SCREW  
G11-08-08U(2)
- TV-22",STEREO LCD 12V  
180602-02-000
- BRACKET ASM-MOUNT,TV  
180760-01-XXX
- SCREW  
G39-10-16U (5)
- WIRE ASM-TV EXTENSION  
165275-01-000
- DC POWER ADAPTOR  
170909-02-000



- WIRES/CABLES ROUTED  
OUT OF THE CABINET  
IN THIS AREA
- TIE-WIRE, MOUNT  
155366-01-000 (2)
- TIE-WIRE  
8343-03-000 (2)

VIEW LB

- TIE-WIRE  
8343-02-000 1



MOUNT TV BRACKET SO  
THAT SLOT IN BRACKET  
LINES UP WITH SLOT  
IN CABINET

VIEW LA

1 USE HOLES IN BRACKET ASM-MOUNT,TV TO ATTACH  
WIRE ASM TO BRACKET ASM-MOUNT,TV WITH WIRE TIES.

NOTES:

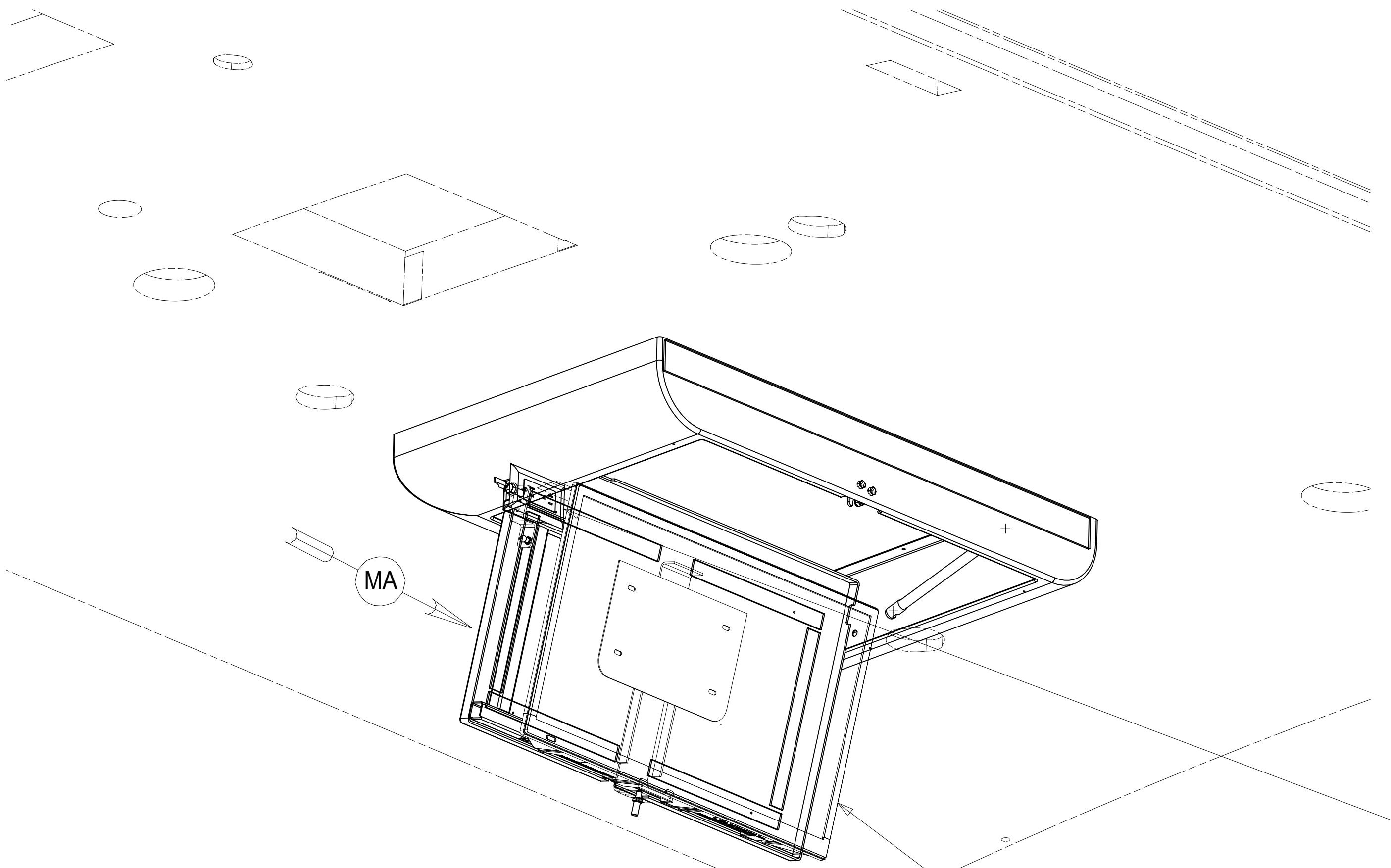
FOR ELECTRICAL  
TORQUE  
SPECIFICATIONS  
SEE DWG NO.  
128783-01-000

FOR  
ELECTRICAL  
CALLOUTS  
SEE DWG NO.  
121339-01-000

- 68B TV (REAR)DC 22" LCD W/REMOTE
- 265 CODES/STANDARDS-CSA/CMVSS
- 1B1 CODES/STANDARDS USA

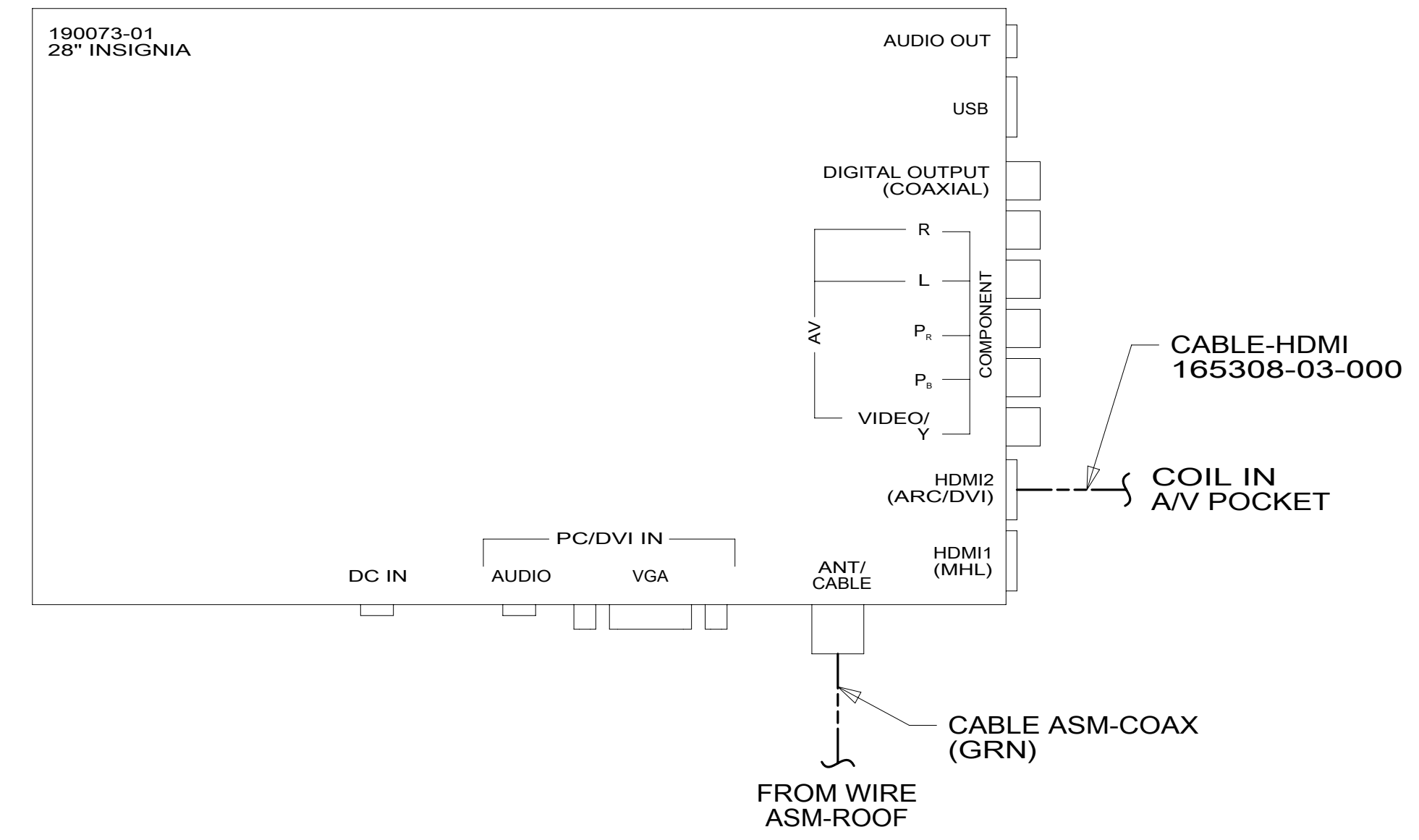
- 1B1 265 68B

FIRST USED	
<b>15 E-SERIES</b>	
DO NOT SCALE DRAWING	
TITLE: <b>WIRING INSTL-TV/DVD</b>	
SHEET 11	PART NO. <b>188343</b> REV



RCP-2 (PUR)  
BDRM TV

- TV-28", FLAT PANEL  
190073-01-000
- SCREW-VESA  
OMG02U-06-010 (4)
- SCREW BASE  
(SUPPLIED W/ TV)
- BRACKET ASM-MOUNT, TV  
191416-01-CHT
- SCREW  
G39-08-12U (4)
- FRAME ASM-TV  
186033-02-XXX
- SCREW  
G39-10-20U (18)
- COVER-TV, CEILING MOUNT  
185986-01-CHT
- 185986-03-CHT
- SCREW  
G39-08-12U (4)



VIEW MA

- 265 CODES/STANDARDS-CSA/CMVSS
- 1B1 CODES/STANDARDS USA

1B1 265

FOR ELECTRICAL  
TORQUE  
SPECIFICATIONS  
SEE DWG NO.  
128783-01-000

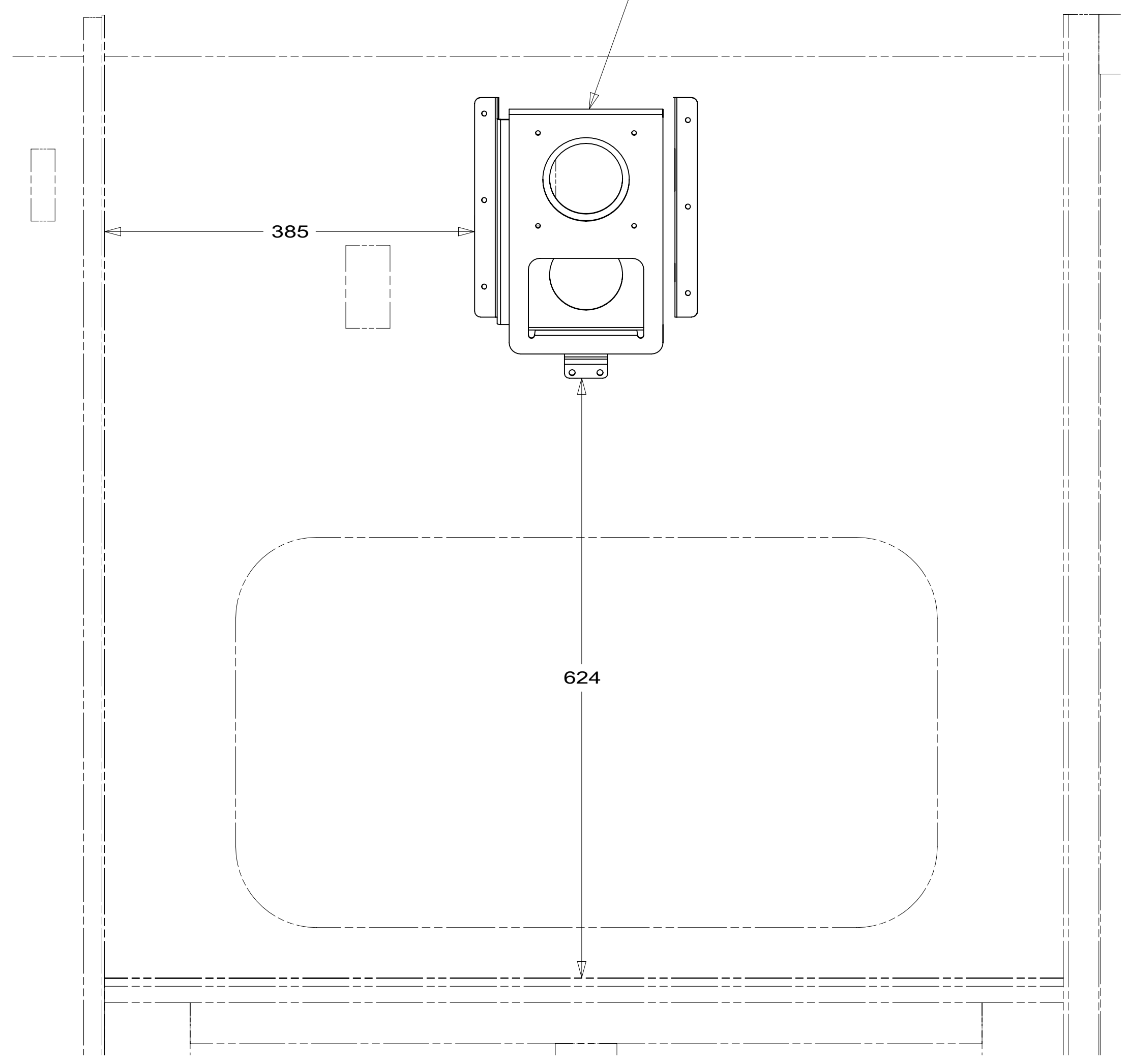
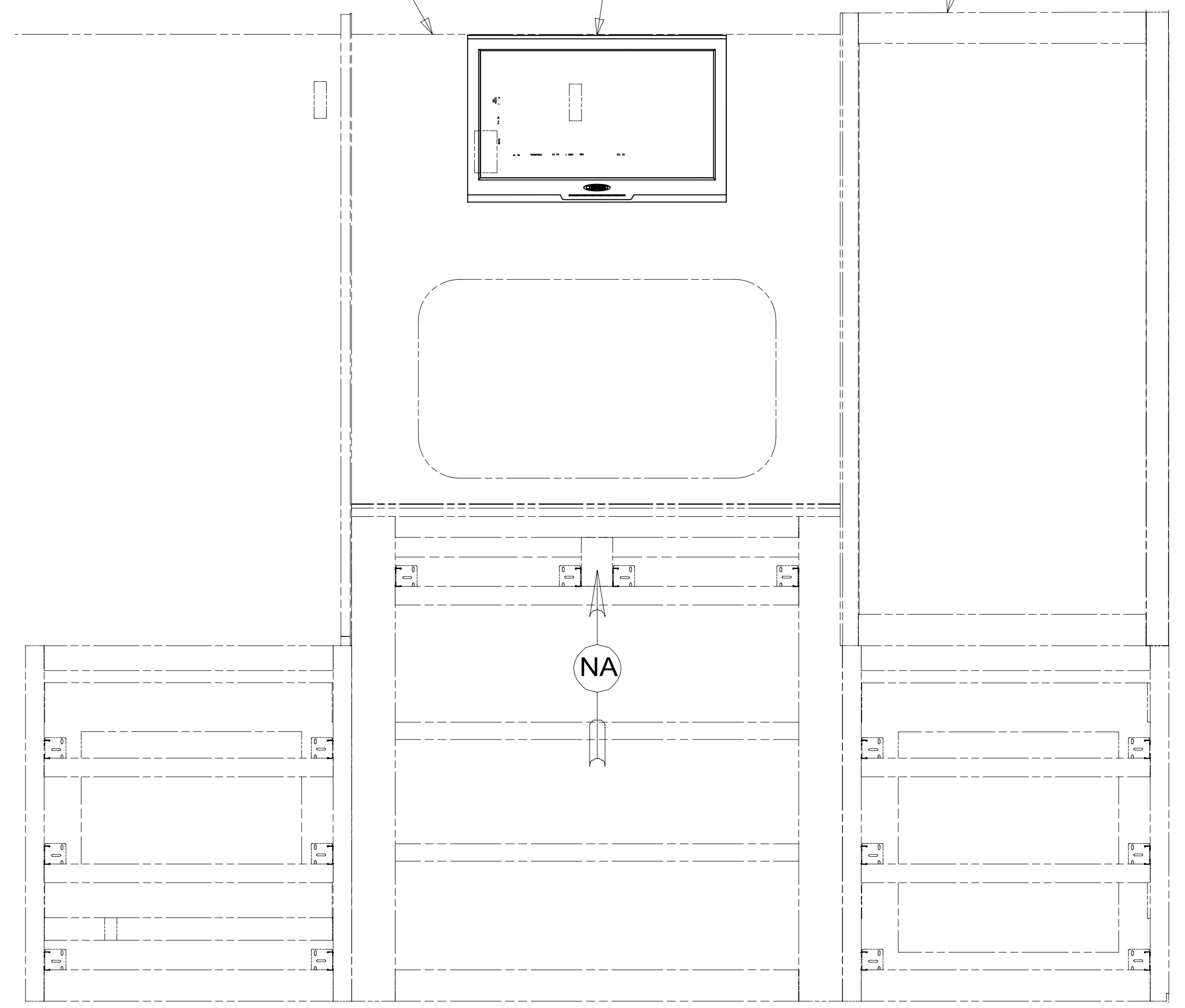
X-X  
FOR  
ELECTRICAL  
CALLOUTS  
SEE DWG NO.  
121339-01-000

FIRST USED	<b>15 E36Y</b>
TITLE:	<b>DO NOT SCALE DRAWING</b>
SHEET 12	PART NO <b>188343</b> REV
1 04-Sep-2015	

\*188343\*

SIDEWALL ASM-RIGHT (REF)  
TV-22" FLAT PANEL LED, HDTV  
180602-02-000  
POWER SUPPLY  
170909-04-000  
CABINET ASM-BEDROOM (REF)

BRACKET-TV  
158394-15-CHT  
SCREW  
G11-08-12U (6)  
PLATE-MOUNTING  
163321-05-CHT  
SCREW (MAIN SUPPORT)  
SUPPLIED WITH TV  
SCREW (LOWER SUPPORT)  
OMG02B-04-016 (2)  
WASHER  
E14-10-00B (4)  
GROMMET  
114208-05-000



VIEW NA  
(TV NOT SHOWN)

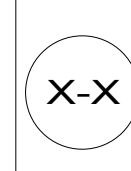
- 68B TV (REAR)DC 22" LCD W/REMOTE
- 265 CODES/STANDARDS-CSA/CMVSS
- 1B1 CODES/STANDARDS USA

1B1 265 68B

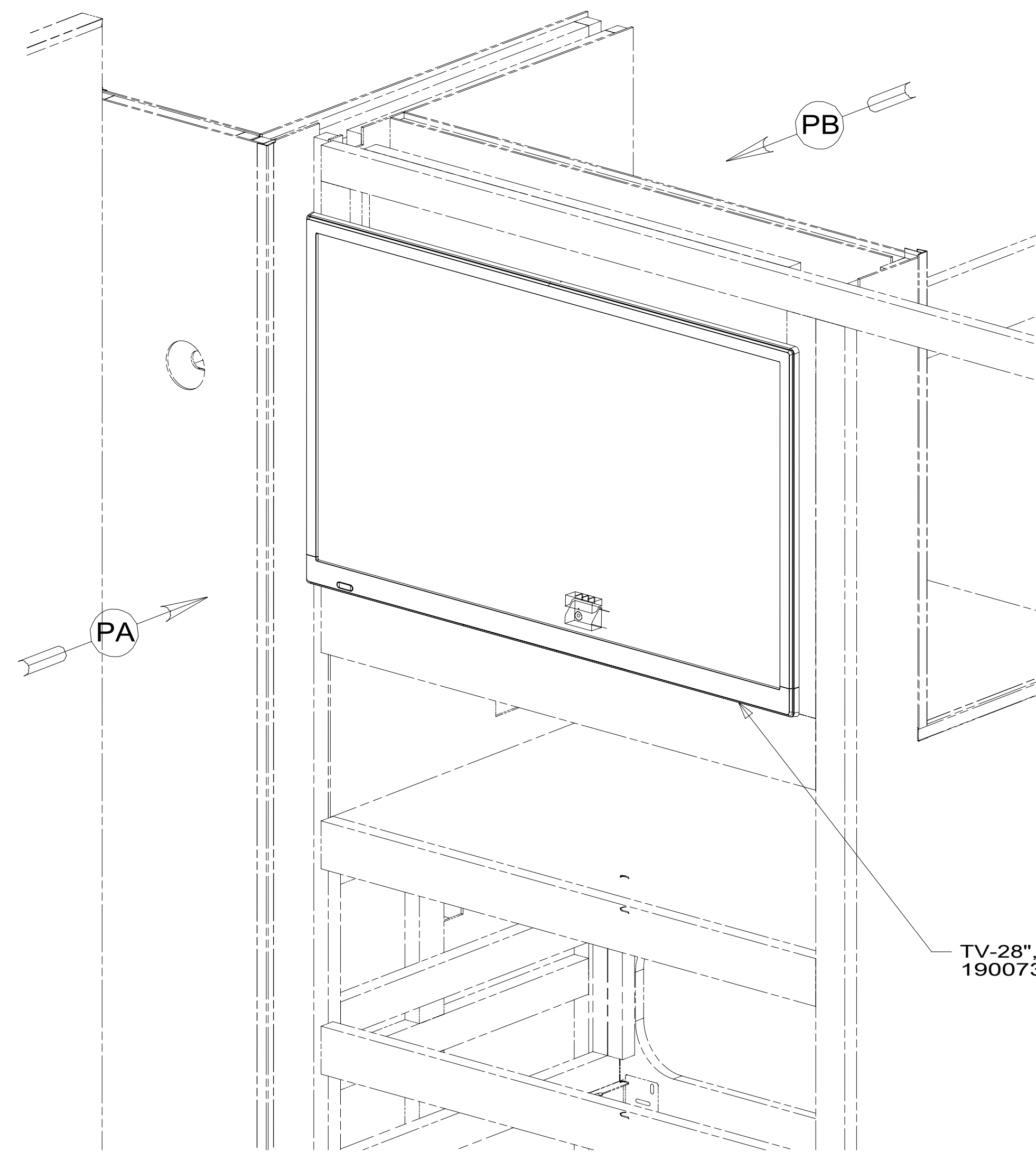
FIRST USED
<b>15 E-SERIES</b>
DO NOT SCALE DRAWING
TITLE: <b>WIRING INSTL-TV/DVD</b>
SHEET 13 PART NO <b>188343</b> REV
1 04-Sep-2015

FOR ELECTRICAL TORQUE SPECIFICATIONS SEE DWG NO. 128783-01-000

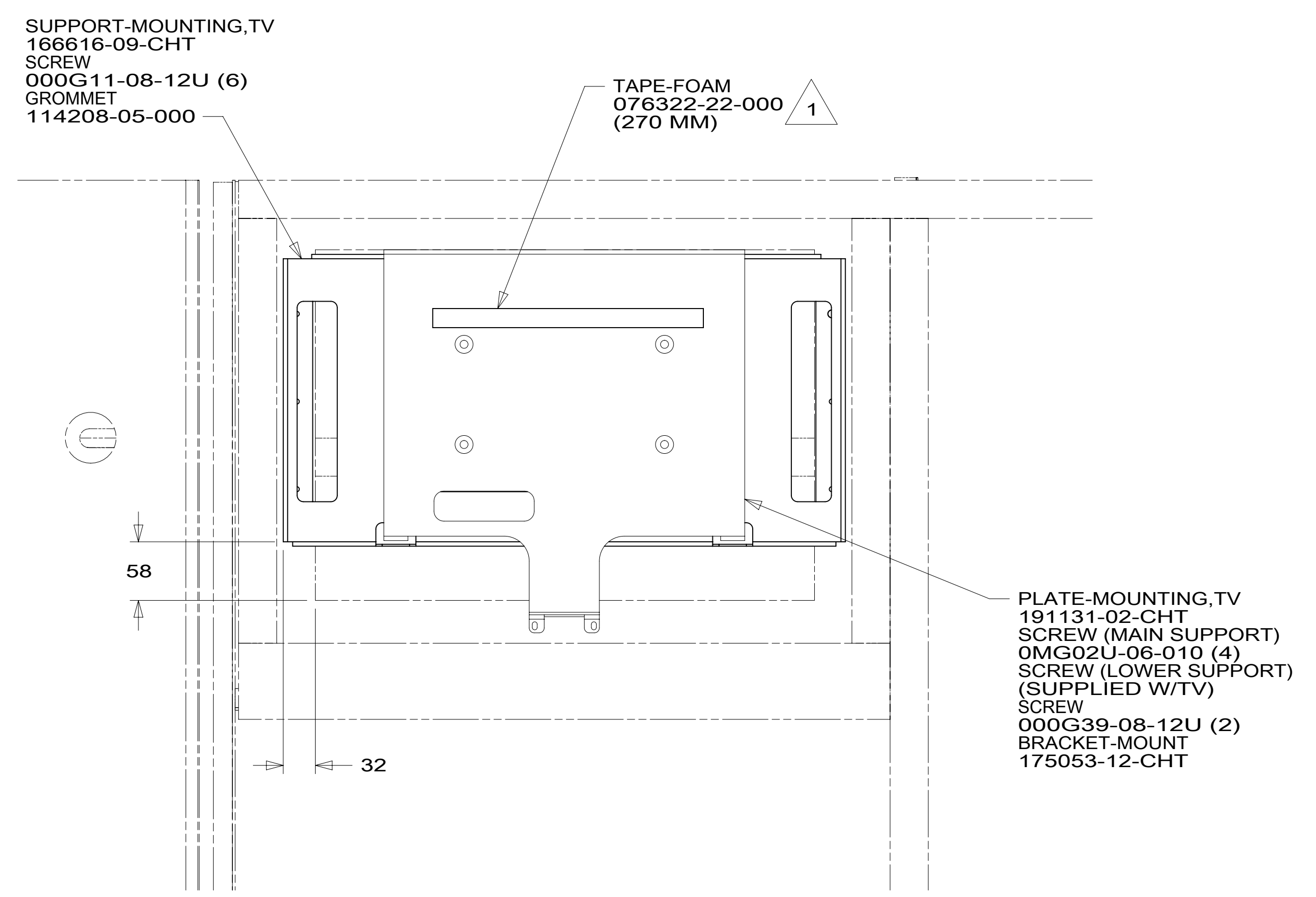
FOR ELECTRICAL CALLOUTS SEE DWG NO. 121339-01-000



\*188343\*



TV-28", FLAT PANEL-LED HDTV  
190073-01-000

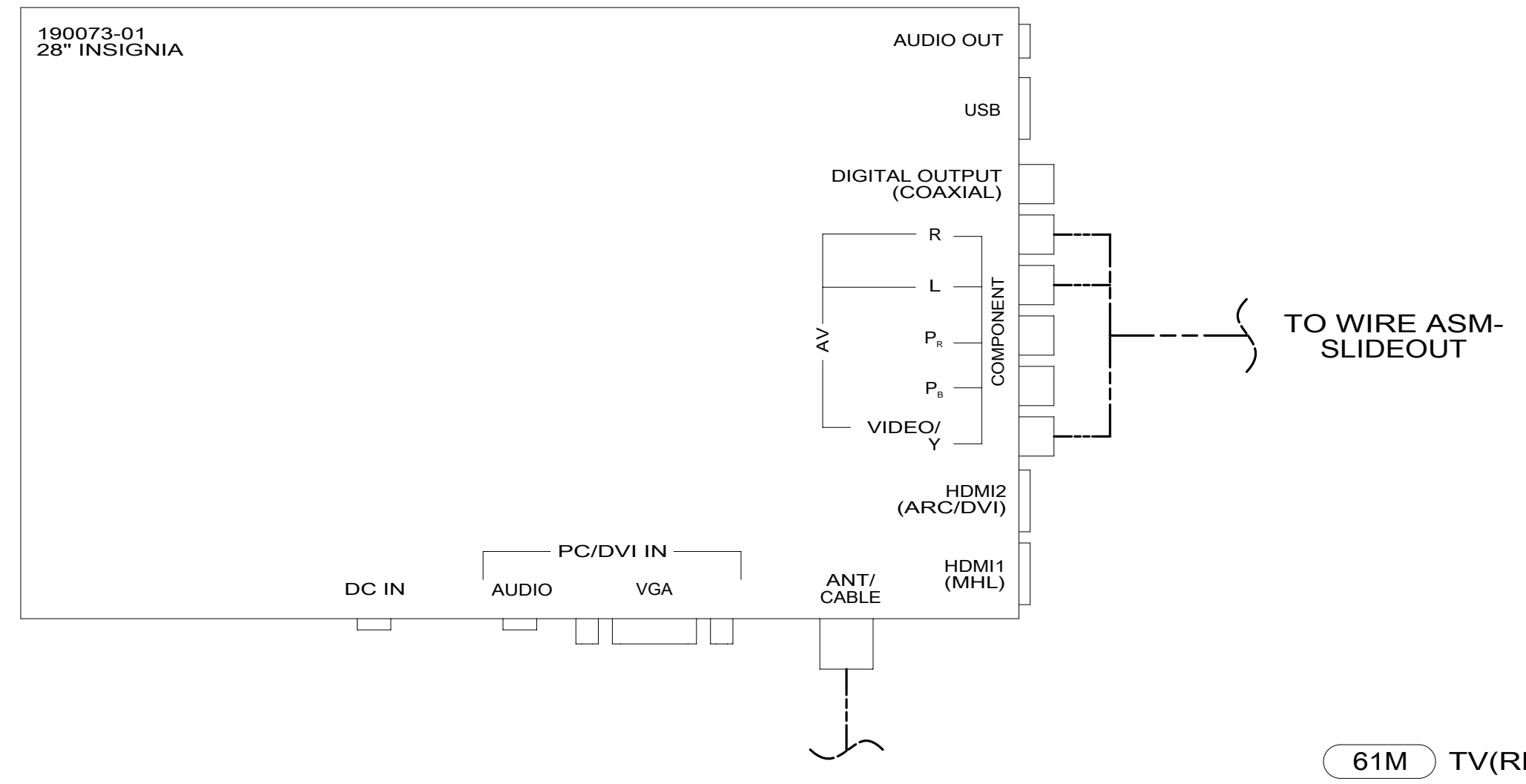


SUPPORT-MOUNTING,TV  
166616-09-CHT  
SCREW  
000G11-08-12U (6)  
GROMMET  
114208-05-000

TAPE-FOAM  
076322-22-000  
(270 MM)

PLATE-MOUNTING,TV  
191131-02-CHT  
SCREW (MAIN SUPPORT)  
0MG02U-06-010 (4)  
SCREW (LOWER SUPPORT)  
(SUPPLIED W/TV)  
SCREW  
000G39-08-12U (2)  
BRACKET-MOUNT  
175053-12-CHT

VIEW PA



VIEW PB

- 61M TV(REAR)-28" COLOR STEREO
- 265 CODES/STANDARDS-CSA/CMVSS
- 1B1 CODES/STANDARDS USA

1B1 265 61M

**15 E-SERIES**

DO NOT SCALE DRAWING

TITLE: **WIRING INSTL-TV/DVD**

SHEET 14 PART NO **188343** REV

NOTES:  
1 PREP SURFACE WITH 87211-01-000.

FOR ELECTRICAL TO EXORQUE  
SPECIFICATIONS  
SEE DWG NO.  
128783-01-000

FOR ELECTRICAL  
CALLOUTS  
SEE DWG NO.  
121339-01-000

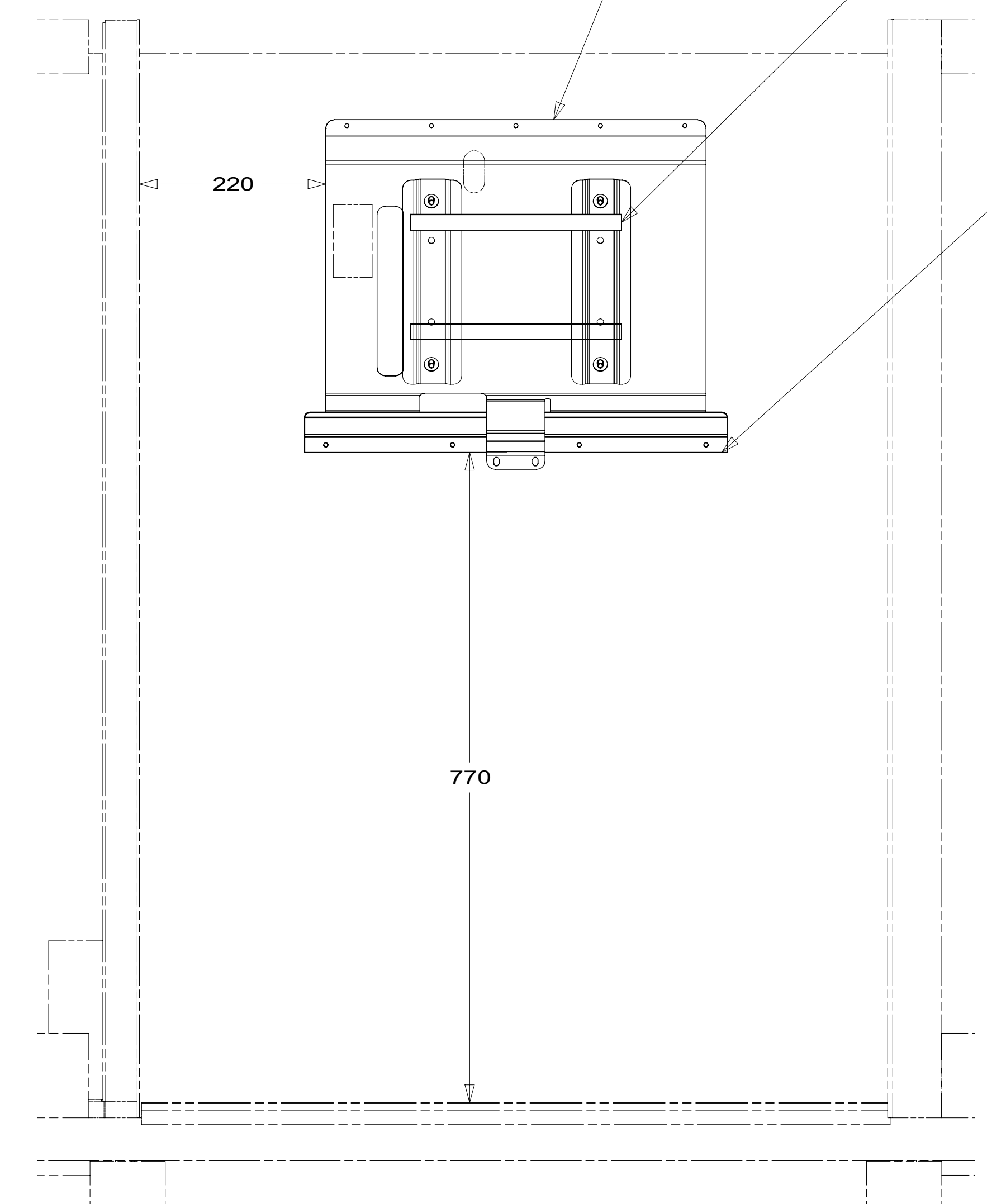
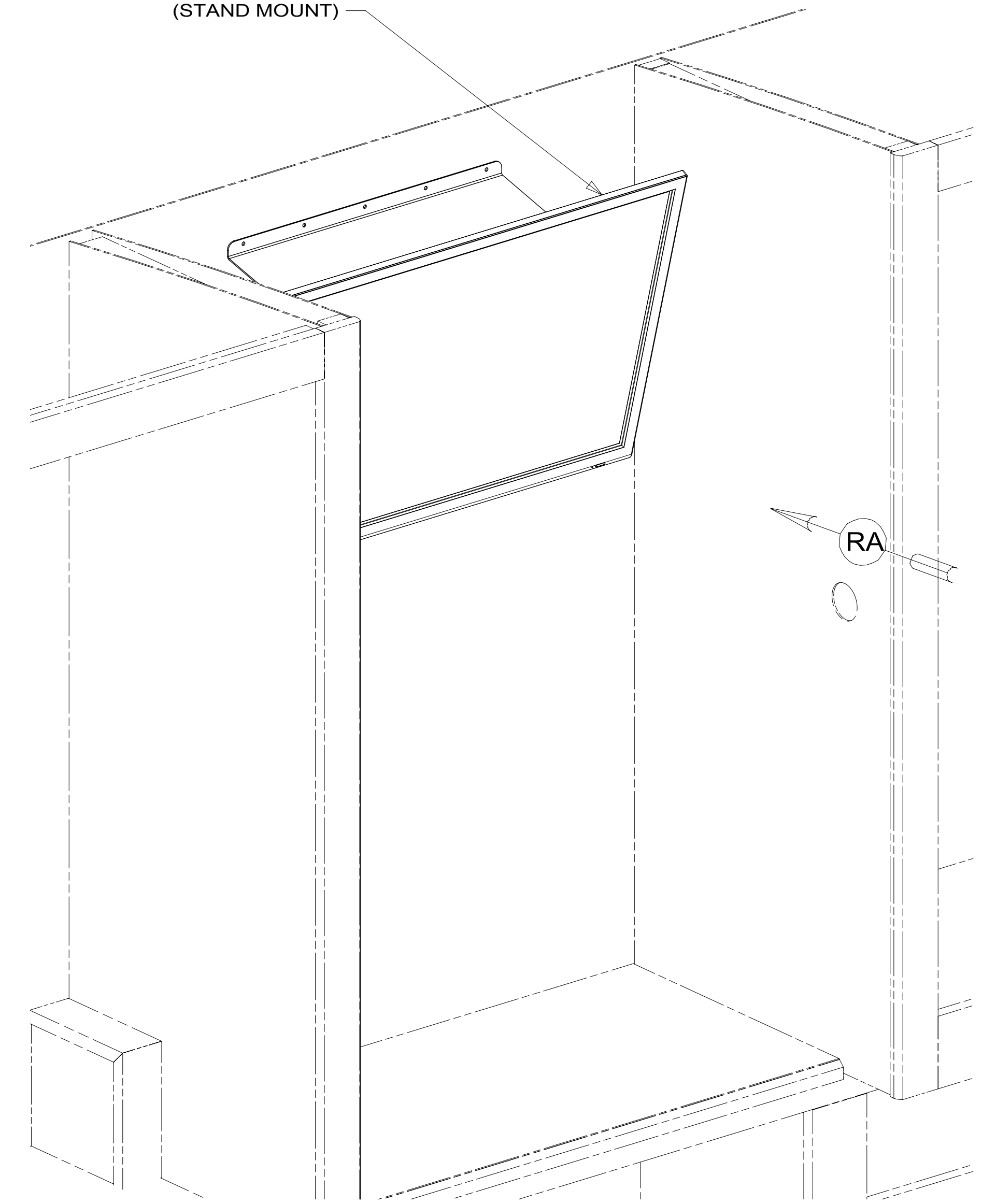
\*188343 \*A

TV-32", FLAT PANEL DLED, HDTV  
 194849-01-000  
 SCREW  
 OMG02u-06-016  
 (VESA MOUNT)  
 SCREW  
 SUPPLIED W/ TV  
 (STAND MOUNT)

BRACKET-MOUNTING, TV  
 195015-01-CHT  
 195044-01-CHT  
 SCREW  
 000G39-10-16U (5)  
 WASHER  
 E13-14-00U (4)

TAPE-FOAM  
 76322-22-000 (2)  
 (250 MM) 1

CLIP-TRIM  
 130034-04-CHT  
 SCREW  
 000G39-10-16U (4)



VIEW RA  
 (TV NOT SHOWN)

1 PREP SURFACE WITH 87211-01-000.  
 NOTES:

FOR ELECTRICAL  
 TORQUE  
 SPECIFICATIONS  
 SEE DWG NO.  
 128783-01-000

X-X FOR  
 ELECTRICAL  
 CALLOUTS  
 SEE DWG NO.  
 121339-01-000

- 195 TV(REAR)-32" COLOR STEREO
- 265 CODES/STANDARDS-CSA/CMVSS
- 1B1 CODES/STANDARDS USA

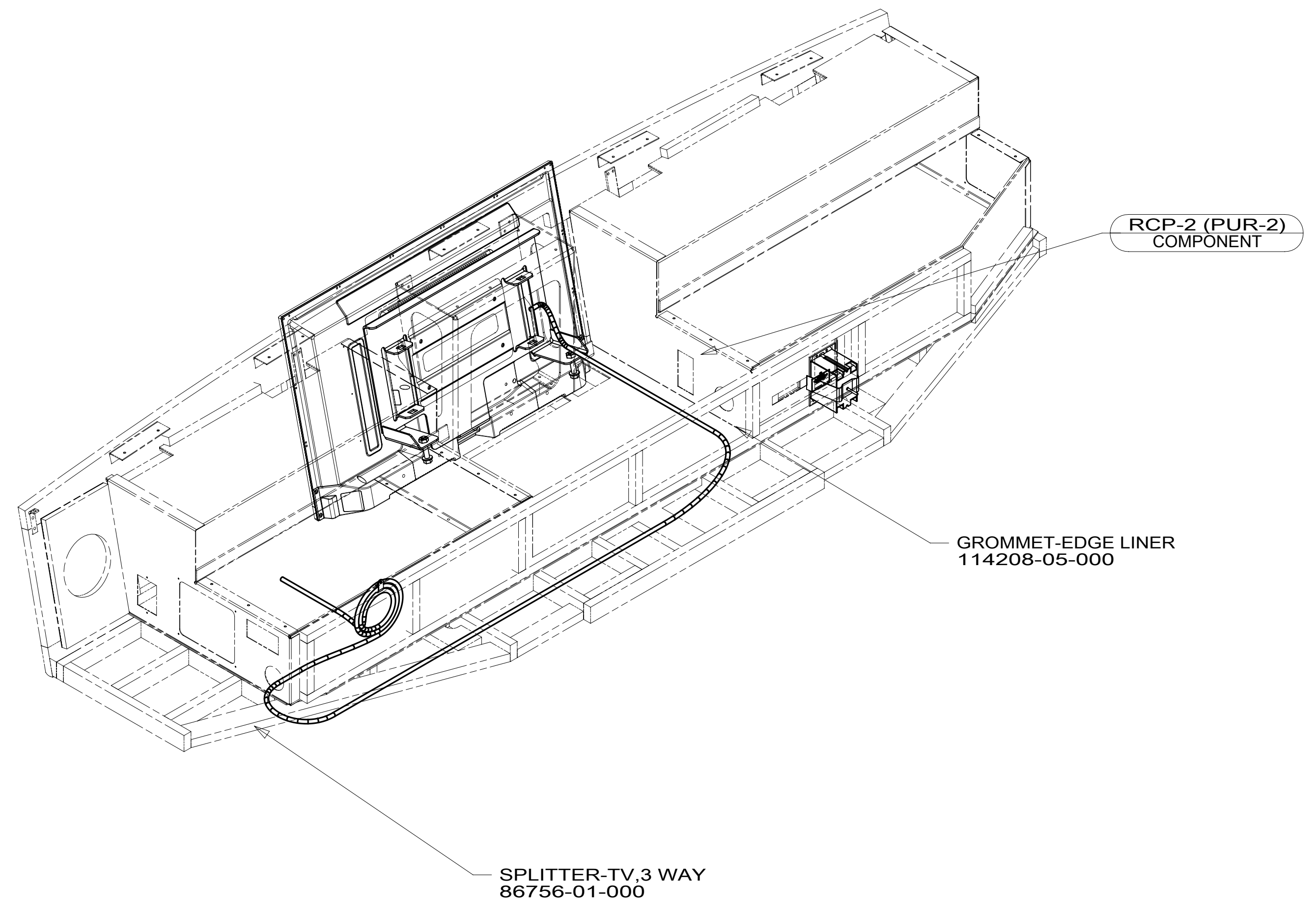
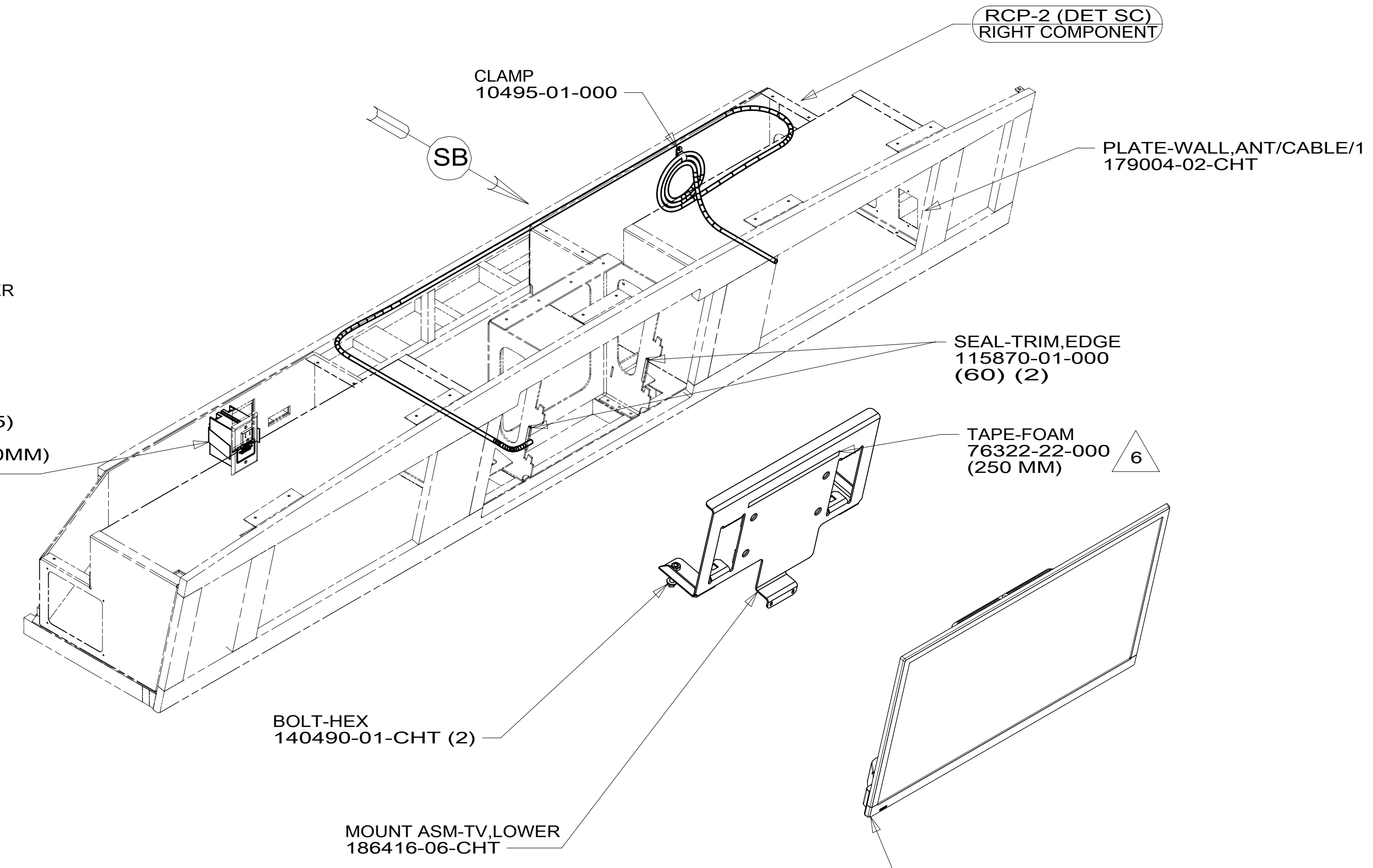
1B1 265 195

<b>15 E-SERIES</b>	
DO NOT SCALE DRAWING	
TITLE: <b>WIRING INSTL-TV/DVD</b>	
SHEET 15	PART NO. <b>188343</b> REV
1 04-Sep-2015	

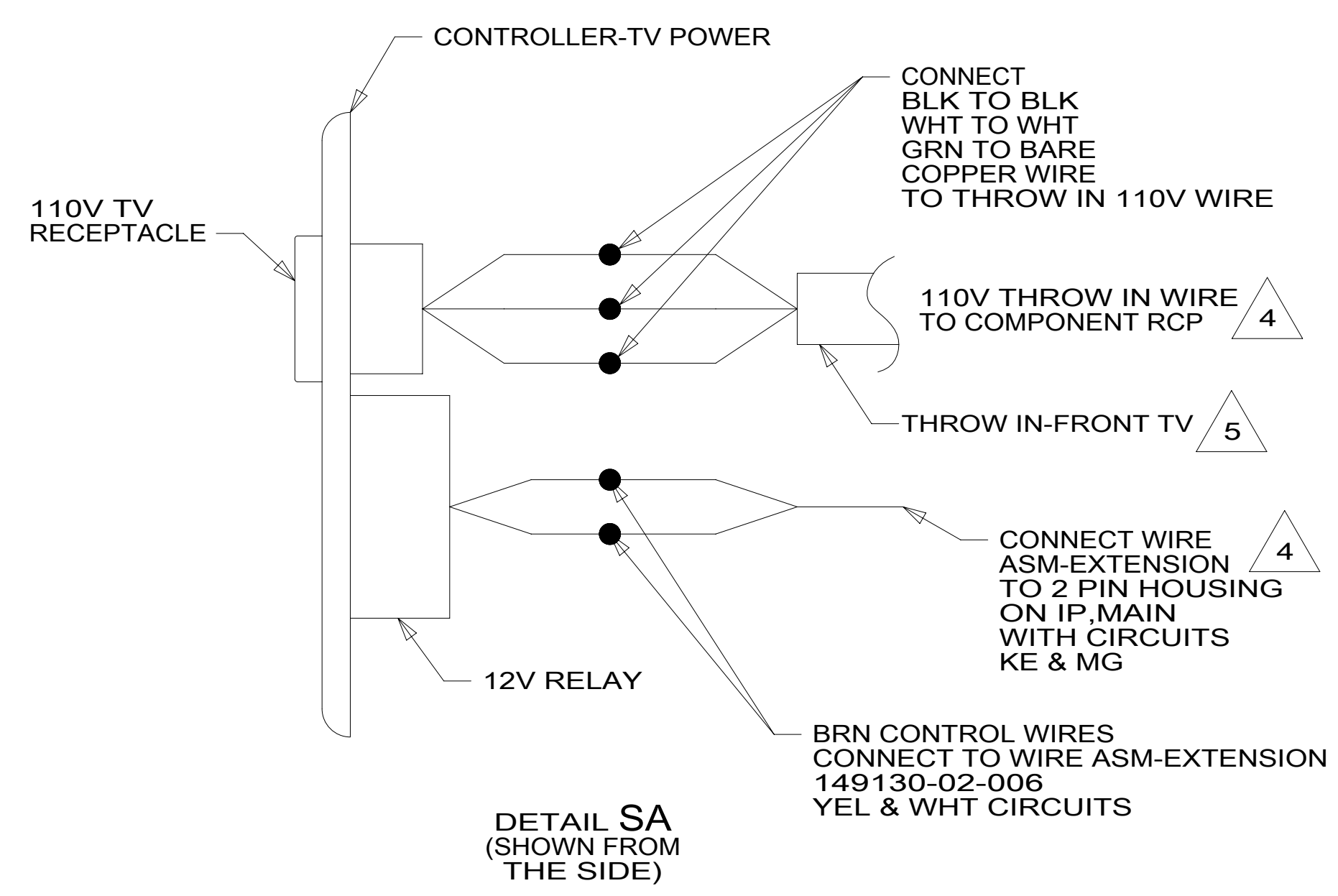
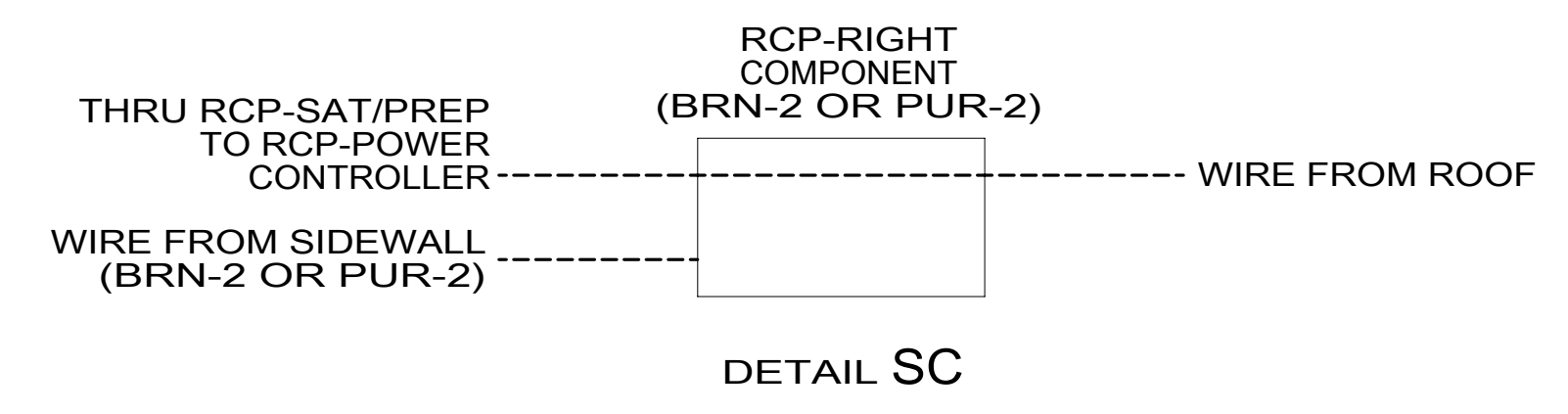
\*188343 \*A



- 1B1 CONTROLLER-POWER
- 265 156676-01-000 BOX
- 133070-01-000
- 133070-02-000
- SCREW
- G 13-07-12U (4)
- CONNECTOR
- 58028-01-000 (5)
- TUBING-VINYL
- 8041-02-000 (150MM)
- DETAIL SA



VIEW SB



- 6 PREP SURFACE WITH 87211-01-000.
  - 5 SEE 110V LOAD CENTER ASM FOR ADDITIONAL INFORMATION.
  - 4 ROUTE 110V AND 12V WIRES IN OPPOSITE ENDS OF ELECTRICAL BOX.
3. WHERE WIRES PASS THROUGH HOLES IN STEEL AND NOT OTHERWISE PROTECTED, USE GROMMET 92908-02-000.
  2. ALL WIRES TO BE SECURED WITH CLAMP 10495-01-000 OR CLIP 80734-01-000 EVERY 600MM. USE SCREW G67-10-12B UNLESS OTHERWISE SPECIFIED.
  1. 110V WIRE TO BE CLAMPED WITH CLAMP 10497-05-000 WITHIN 200MM OF OUTLET BOXES, USE SCREW G67-10-12B.

NOTES:

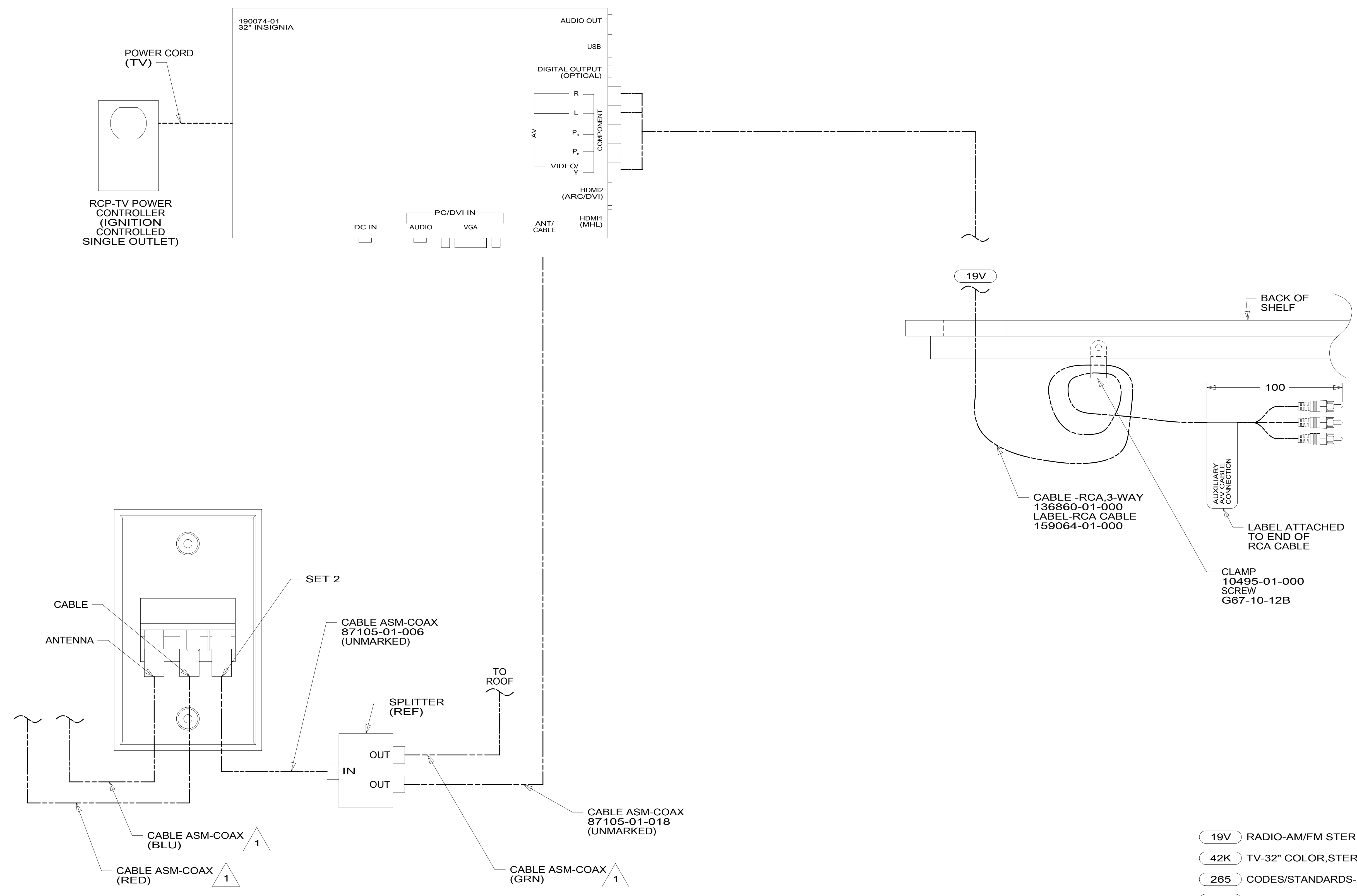
FOR ELECTRICAL TORQUE SPECIFICATIONS SEE DWG NO. 128783-01-000

FOR ELECTRICAL CALLOUTS SEE DWG NO. 121339-01-000

- 42K TV-32" COLOR,STEREO W/REMOTE
- 265 CODES/STANDARDS-CSA/CMVSS
- 1B1 CODES/STANDARDS USA

FIRST USED	
<b>15 E-SERIES</b>	
DO NOT SCALE DRAWING	
TITLE: <b>WIRING INSTL-TV/DVD</b>	
SHEET 16	PART NO <b>188343</b> REV
1 04-Sep-2015	

\*188343\*



1 CABLE ROUTED IN ROOF.

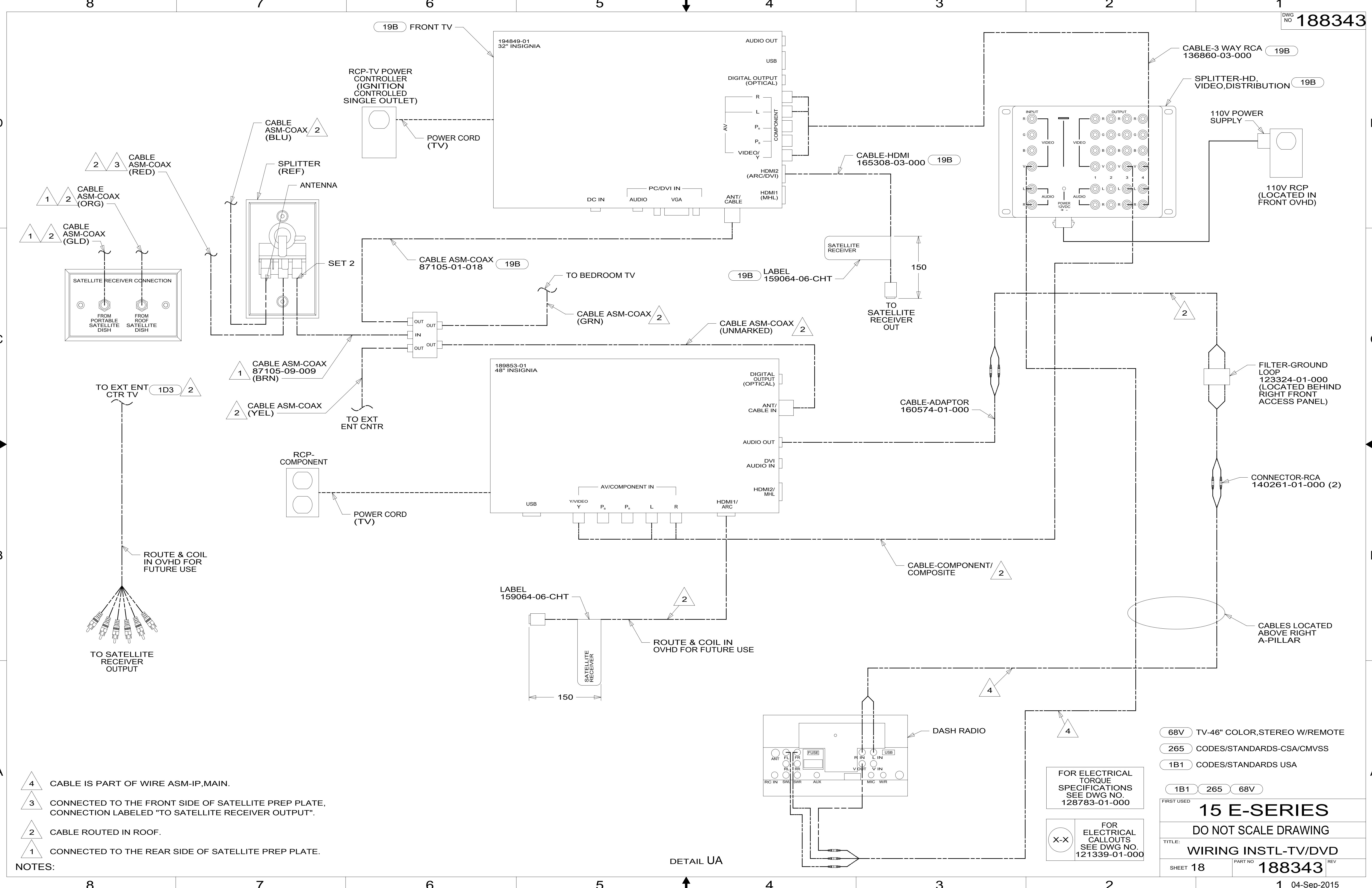
FOR ELECTRICAL TORQUE SPECIFICATIONS SEE DWG NO. 128783-01-000

FOR ELECTRICAL CALLOUTS SEE DWG NO. 121339-01-000

- 19V RADIO-AM/FM STEREO CD PLAYER
- 42K TV-32" COLOR, STEREO W/REMOTE
- 265 CODES/STANDARDS-CSA/CMVSS
- 1B1 CODES/STANDARDS USA

1B1	265	42K
FIRST USED		
<b>15 E-SERIES</b>		
DO NOT SCALE DRAWING		
TITLE: <b>WIRING INSTL-TV/DVD</b>		
SHEET 17	PART NO. <b>188343</b>	REV
1 04-Sep-2015		

\*188343\*



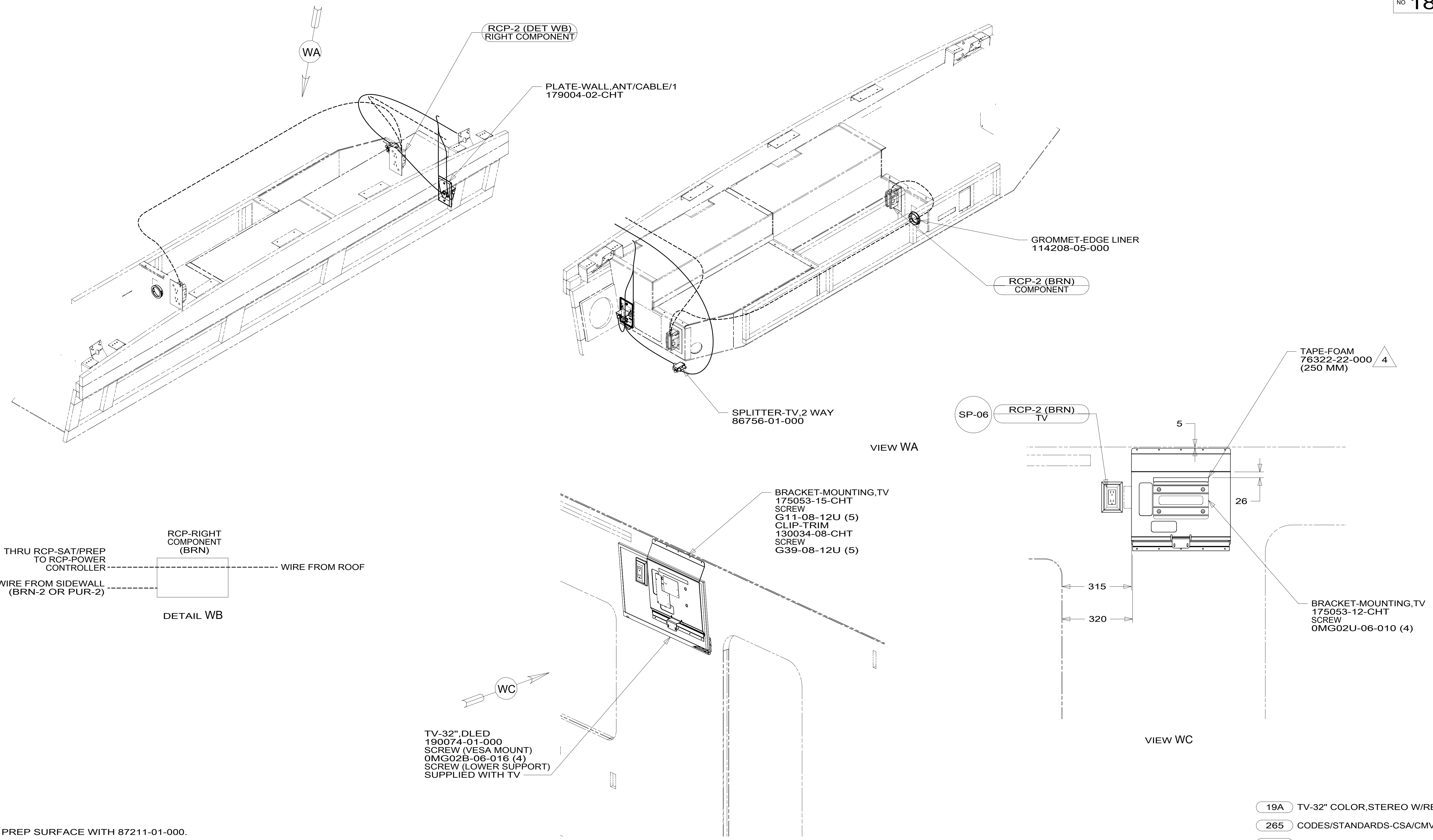
- NOTES:
- 4 CABLE IS PART OF WIRE ASM-IP,MAIN.
  - 3 CONNECTED TO THE FRONT SIDE OF SATELLITE PREP PLATE, CONNECTION LABELED "TO SATELLITE RECEIVER OUTPUT".
  - 2 CABLE ROUTED IN ROOF.
  - 1 CONNECTED TO THE REAR SIDE OF SATELLITE PREP PLATE.

FOR ELECTRICAL TORQUE SPECIFICATIONS SEE DWG NO. 128783-01-000

X-X FOR ELECTRICAL CALLOUTS SEE DWG NO. 121339-01-000

68V	TV-46" COLOR,STEREO W/REMOTE	
265	CODES/STANDARDS-CSA/CMVSS	
1B1	CODES/STANDARDS USA	
1B1	265	68V
FIRST USED		
<b>15 E-SERIES</b>		
DO NOT SCALE DRAWING		
TITLE: <b>WIRING INSTL-TV/DVD</b>		
SHEET 18	PART NO <b>188343</b>	REV
1 04-Sep-2015		

\*188343\*



- NOTES:**
- 4 PREP SURFACE WITH 87211-01-000.
  - 3. WHERE WIRES PASS THROUGH HOLES IN STEEL AND NOT OTHERWISE PROTECTED, USE GROMMET 92908-02-000.
  - 2. ALL WIRES TO BE SECURED WITH CLAMP 10495-01-000 OR CLIP 80734-01-000 EVERY 600MM. USE SCREW G67-10-12B UNLESS OTHERWISE SPECIFIED.
  - 1. 110V WIRE TO BE CLAMPED WITH CLAMP 10497-05-000 WITHIN 200MM OF OUTLET BOXES, USE SCREW G67-10-12B.

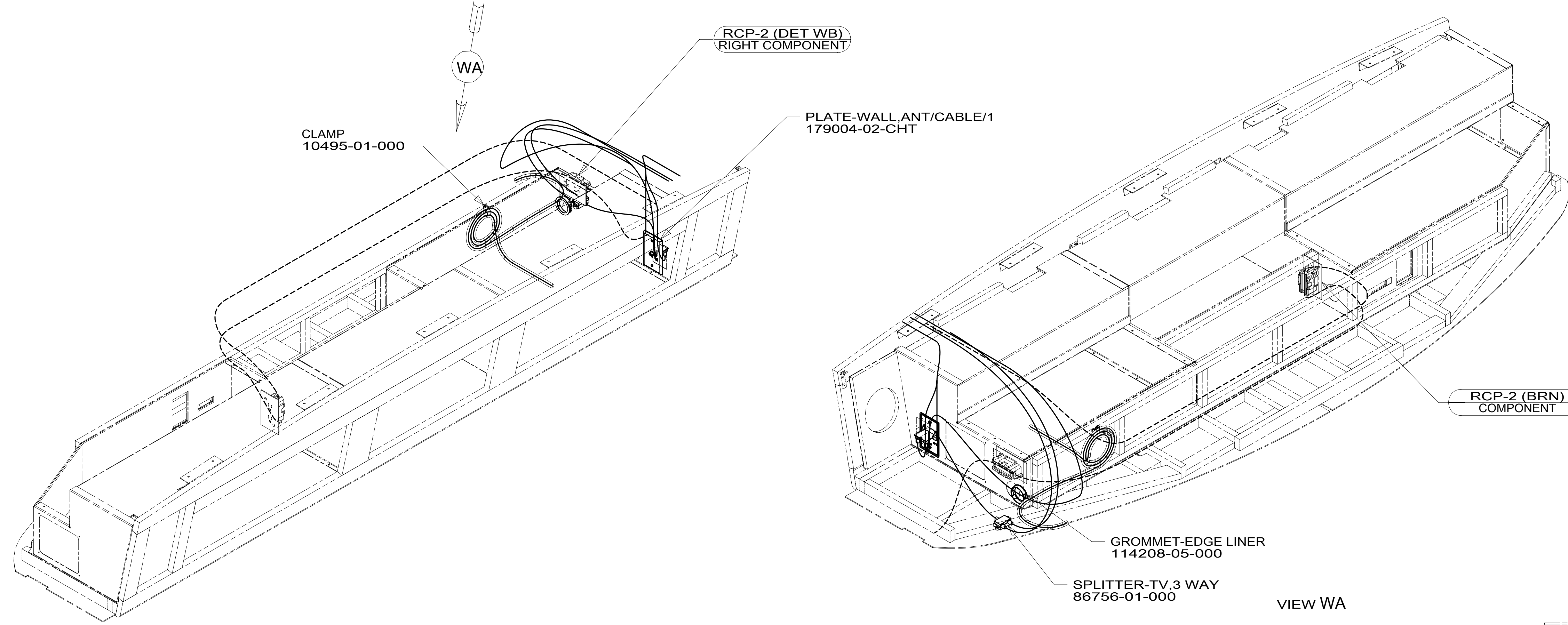
- 19A TV-32" COLOR,STEREO W/REMOTE
- 265 CODES/STANDARDS-CSA/CMVSS
- 1B1 CODES/STANDARDS USA

1B1	265	19A
FIRST USED		
<b>15 E-SERIES</b>		
DO NOT SCALE DRAWING		
TITLE: <b>WIRING INSTL-TV/DVD</b>		
SHEET 19	PART NO <b>188343</b>	REV

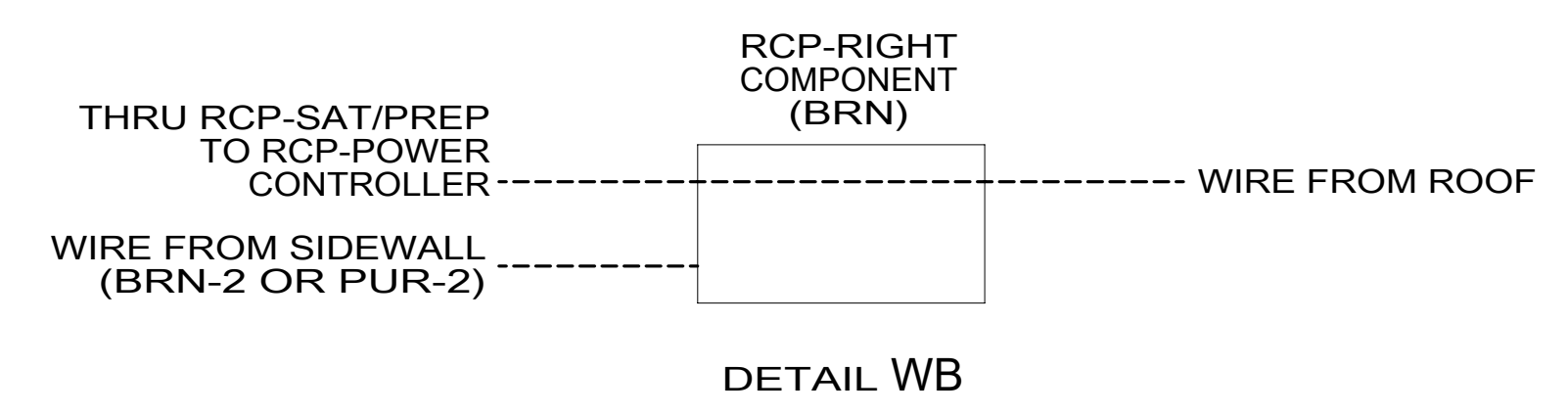
FOR ELECTRICAL TORQUE SPECIFICATIONS SEE DWG NO. 128783-01-000

FOR ELECTRICAL CALLOUTS SEE DWG NO. 121339-01-000

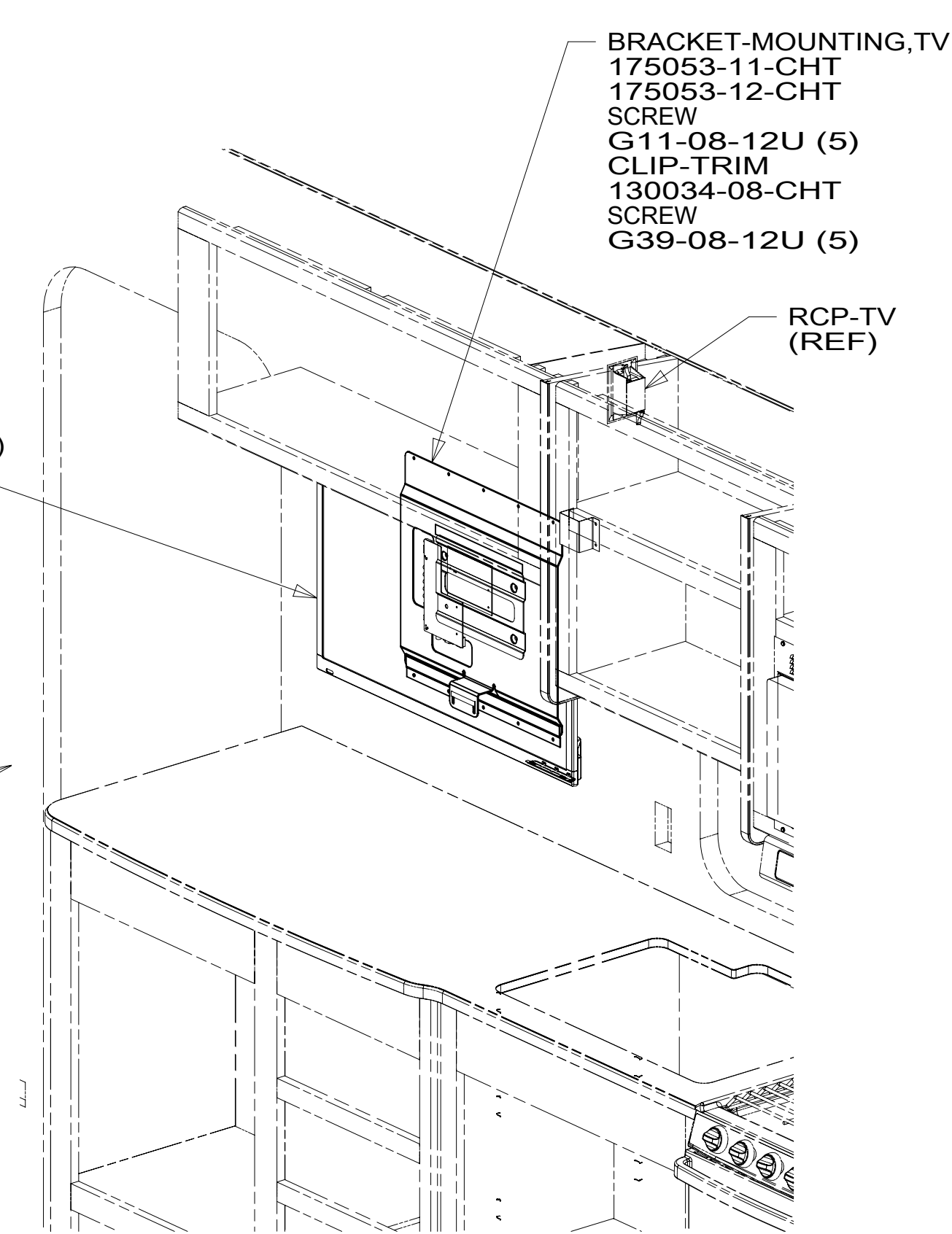
\*188343 \*A



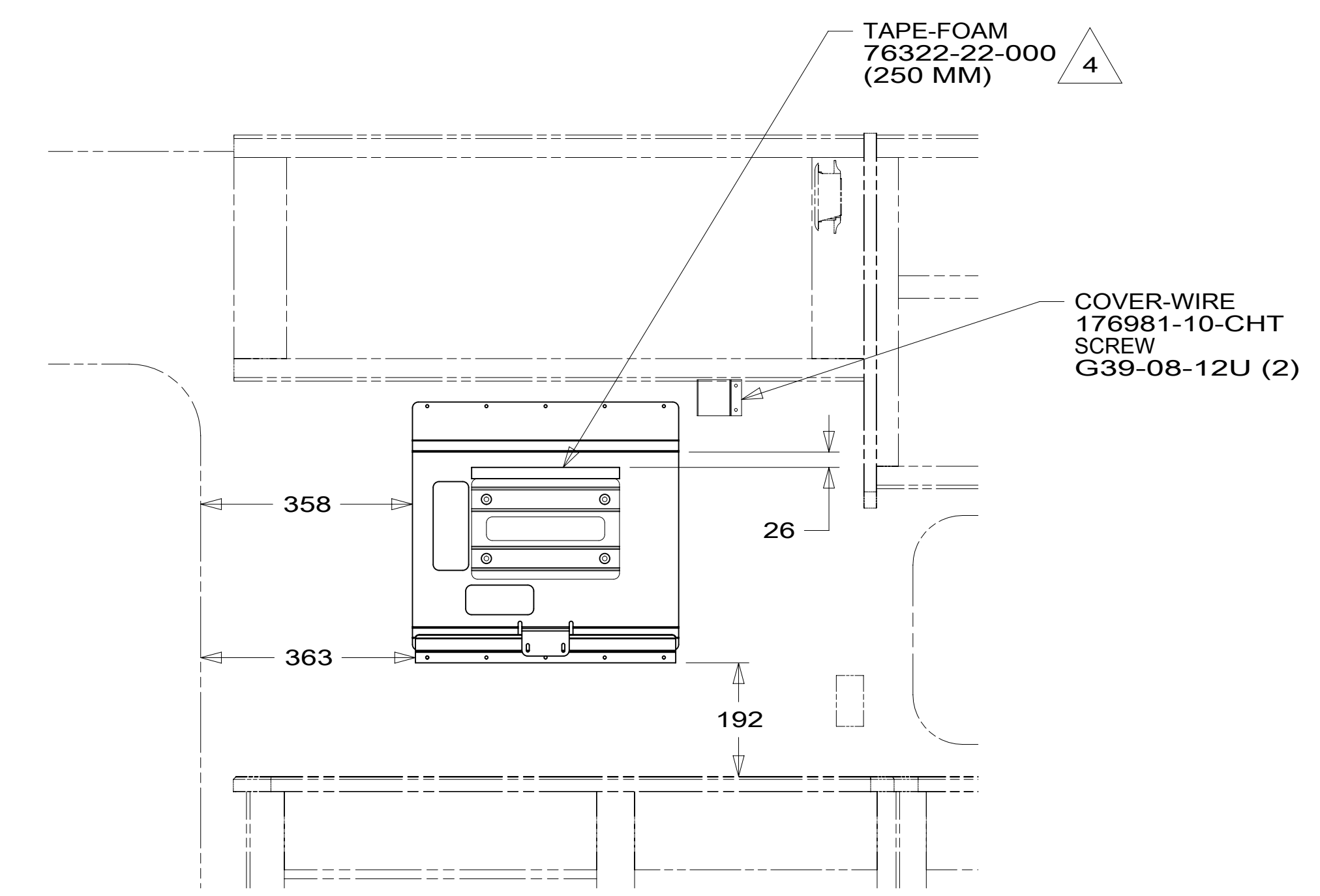
VIEW WA



DETAIL WB



VIEW WC



VIEW WC

- 4 PREP SURFACE WITH 87211-01-000.
- WHERE WIRES PASS THROUGH HOLES IN STEEL AND NOT OTHERWISE PROTECTED, USE GROMMET 92908-02-000.
  - ALL WIRES TO BE SECURED WITH CLAMP 10495-01-000 OR CLIP 80734-01-000 EVERY 600MM. USE SCREW G67-10-12B UNLESS OTHERWISE SPECIFIED.
  - 110V WIRE TO BE CLAMPED WITH CLAMP 10497-05-000 WITHIN 200MM OF OUTLET BOXES, USE SCREW G67-10-12B.

NOTES:

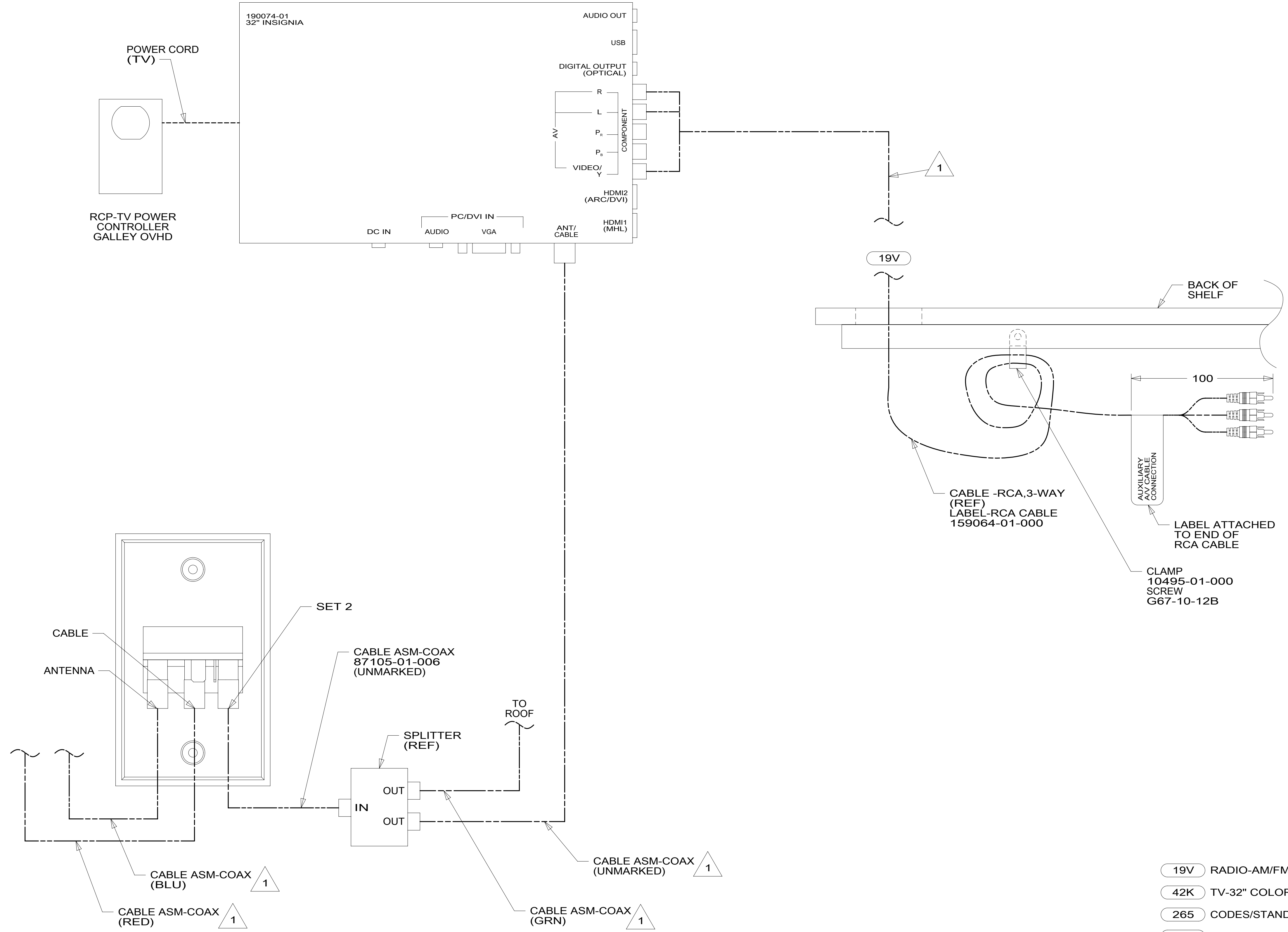
FOR ELECTRICAL TORQUE SPECIFICATIONS SEE DWG NO. 128783-01-000

FOR ELECTRICAL CALLOUTS SEE DWG NO. 121339-01-000

- 42K TV-32" COLOR,STEREO W/REMOTE
- 265 CODES/STANDARDS-CSA/CMVSS
- 1B1 CODES/STANDARDS USA

1B1	265	42K
FIRST USED		
<b>15 E-SERIES</b>		
DO NOT SCALE DRAWING		
TITLE: <b>WIRING INSTL-TV/DVD</b>		
SHEET 20	PART NO <b>188343</b>	REV

\*188343 \*A



- 19V RADIO-AM/FM STEREO CD PLAYER
- 42K TV-32" COLOR, STEREO W/REMOTE
- 265 CODES/STANDARDS-CSA/CMVSS
- 1B1 CODES/STANDARDS USA

1B1	265	42K
FIRST USED		
<b>15 E-SERIES</b>		
DO NOT SCALE DRAWING		
TITLE: <b>WIRING INSTL-TV/DVD</b>		
SHEET 21	PART NO <b>188343</b>	REV
1 04-Sep-2015		

FOR ELECTRICAL TORQUE SPECIFICATIONS SEE DWG NO. 128783-01-000

FOR ELECTRICAL CALLOUTS SEE DWG NO. 121339-01-000

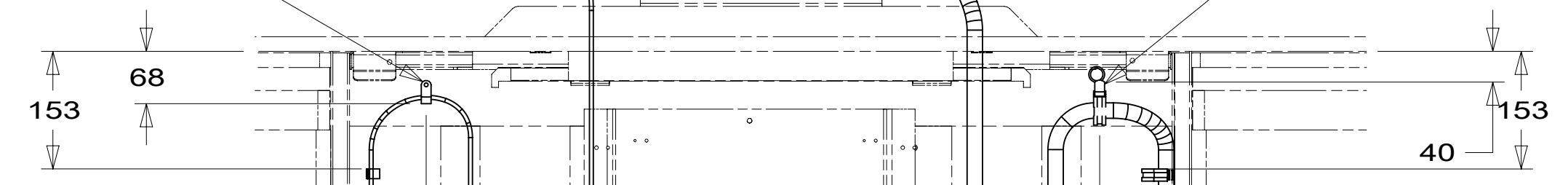
1 CABLE ROUTED IN ROOF.  
NOTES:

\*188343\*A

WIRE TIE IS TO BE ROUTED THROUGH HOLE IN LOWER BRACKET AS SHOWN TO PROPERLY SUPPORT CABLE ASM (2) PLACES

CLAMP-CABLE 10495-01-000 (2)  
SCREW G11-08-16U (2)

CLAMP-CLOSED 10497-02-000 (2)  
SCREW G11-08-16U (2)



TV POWER CORD

WIRE ASM-COACH (REF)

VIEW YA

RCP-2 (PUR-2) RIGHT COMPONENT

PLATE-WALL,ANT/CABLE/1 179004-02-CHT

TRANSMITTER-INFRARED,IMPACT 149750-11-000

RCP-2 (PUR-2) SAT PREP

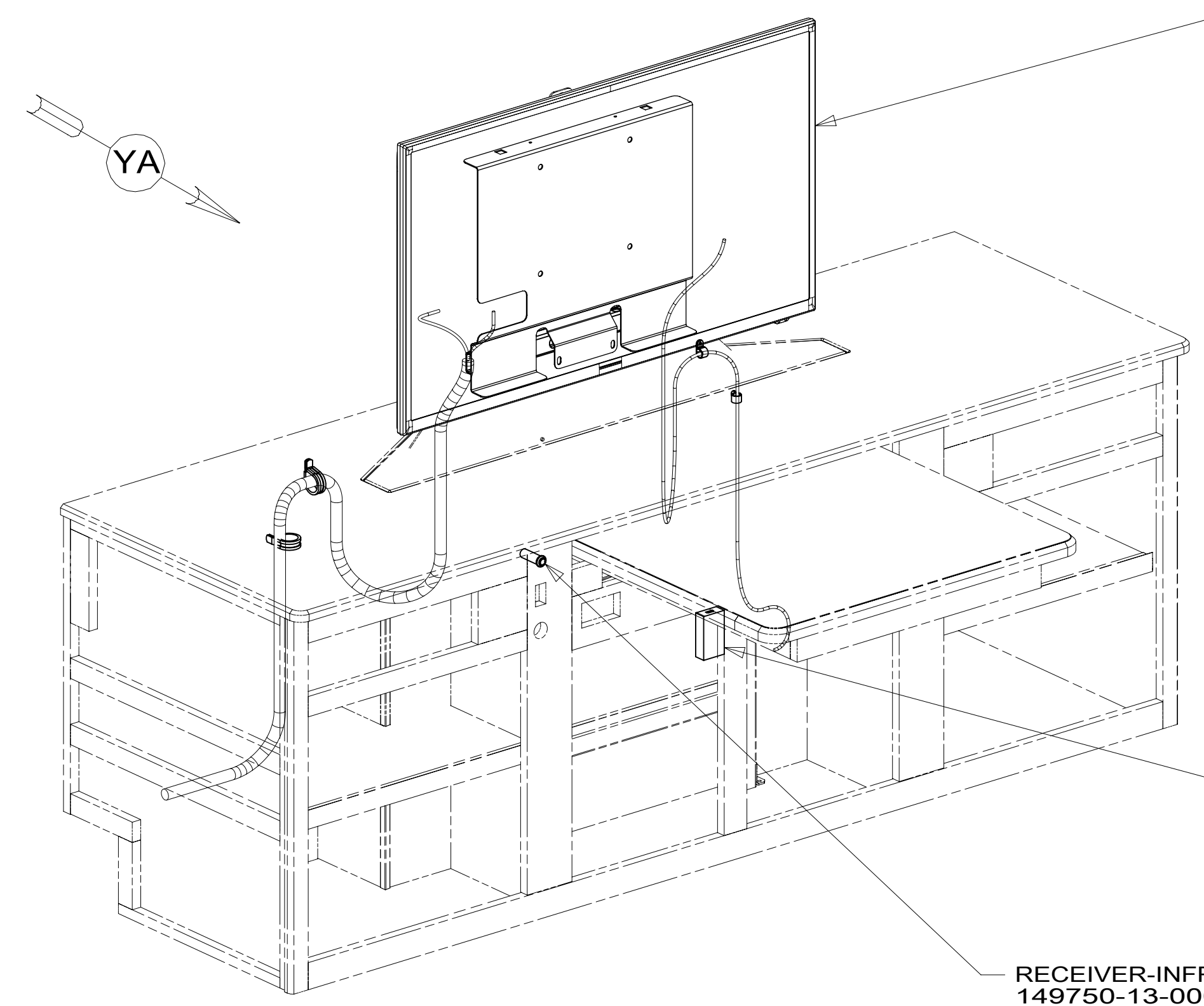
PLATE-WALL, SATELLITE PREP 149557-09-CHT  
SCREW G67-10-08U (2)

GROMMET-EDGE LINER 114208-05-000

CONVERTER-HDMI/CAT6 (TRANSMITTER) 178304-02-000  
DUAL LOCK 85774-01-000 (50 MM) (2)  
85774-02-000 (50 MM) (2)

MODULE-INTERFACE,IR IMPACT 149750-09-000  
WIRE ASM-EXTENSION,2 PIN 177836-01-000  
DETAIL YB

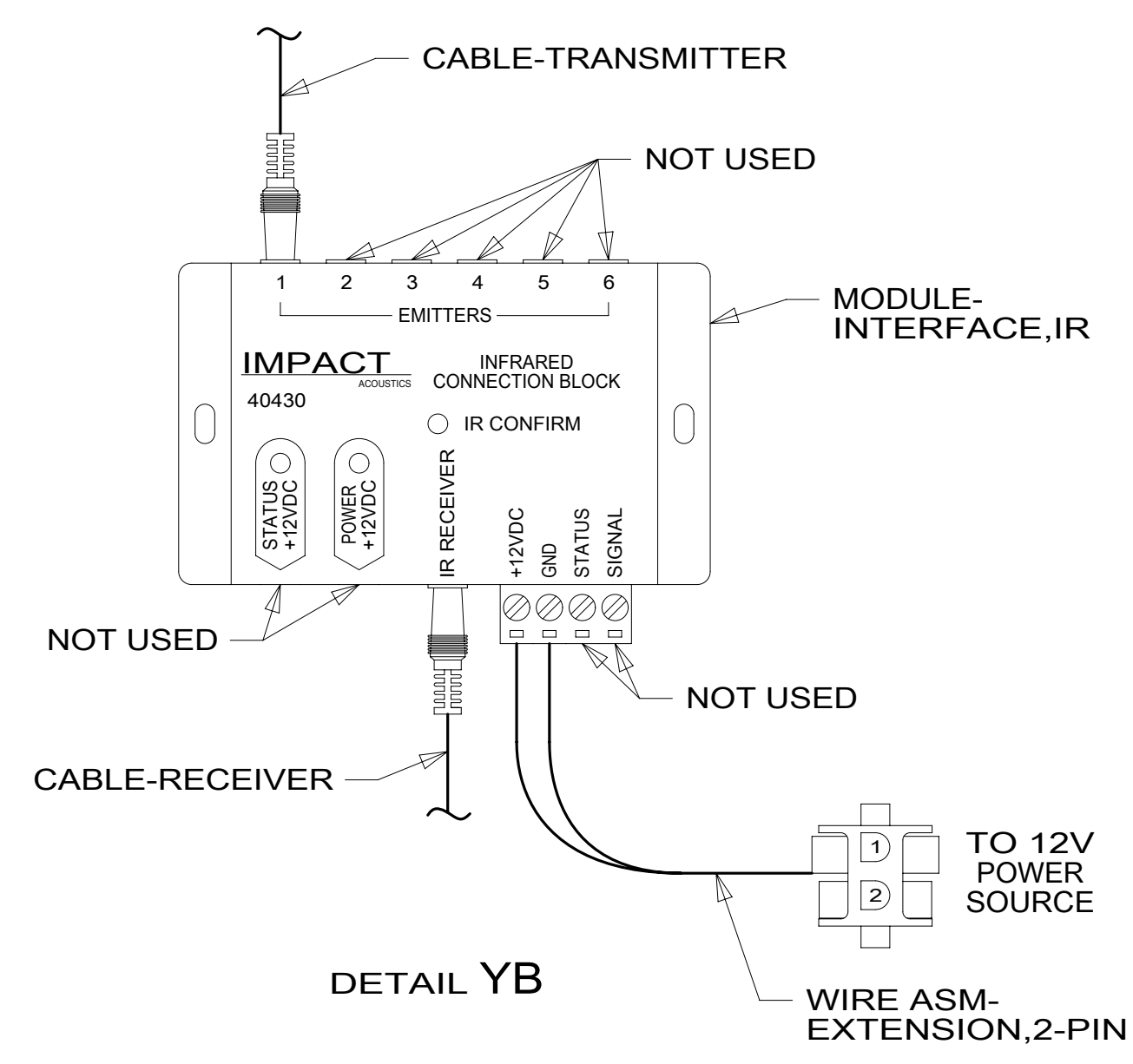
SPLITTER-TV,3 WAY 86756-02-000



TV-40",FLAT PANEL ELED,HDTV 194364-01-000  
SCREW (SUPPLIED W/TV) (TV TO BRACKET)  
BRACKET ASM-MOUNTING,TV 194541-01-CHT  
SCREW G39-10-12U (2) (TOP TUBE TO TV BRACKET)

CONVERTER-HDMI/CAT6 (RECEIVER) 85774-01-000 (50 MM) (2)  
85774-02-000 (50 MM) (2) TO SIDEWALL

RECEIVER-INFRARED,IMPACT 149750-13-000



DETAIL YB

NOTES:  
1 ROUTE 1 TRANSMITTER TO EACH SIDE AND COIL FOR FUTURE USE.

FOR ELECTRICAL TORQUE SPECIFICATIONS SEE DWG NO. 128783-01-000

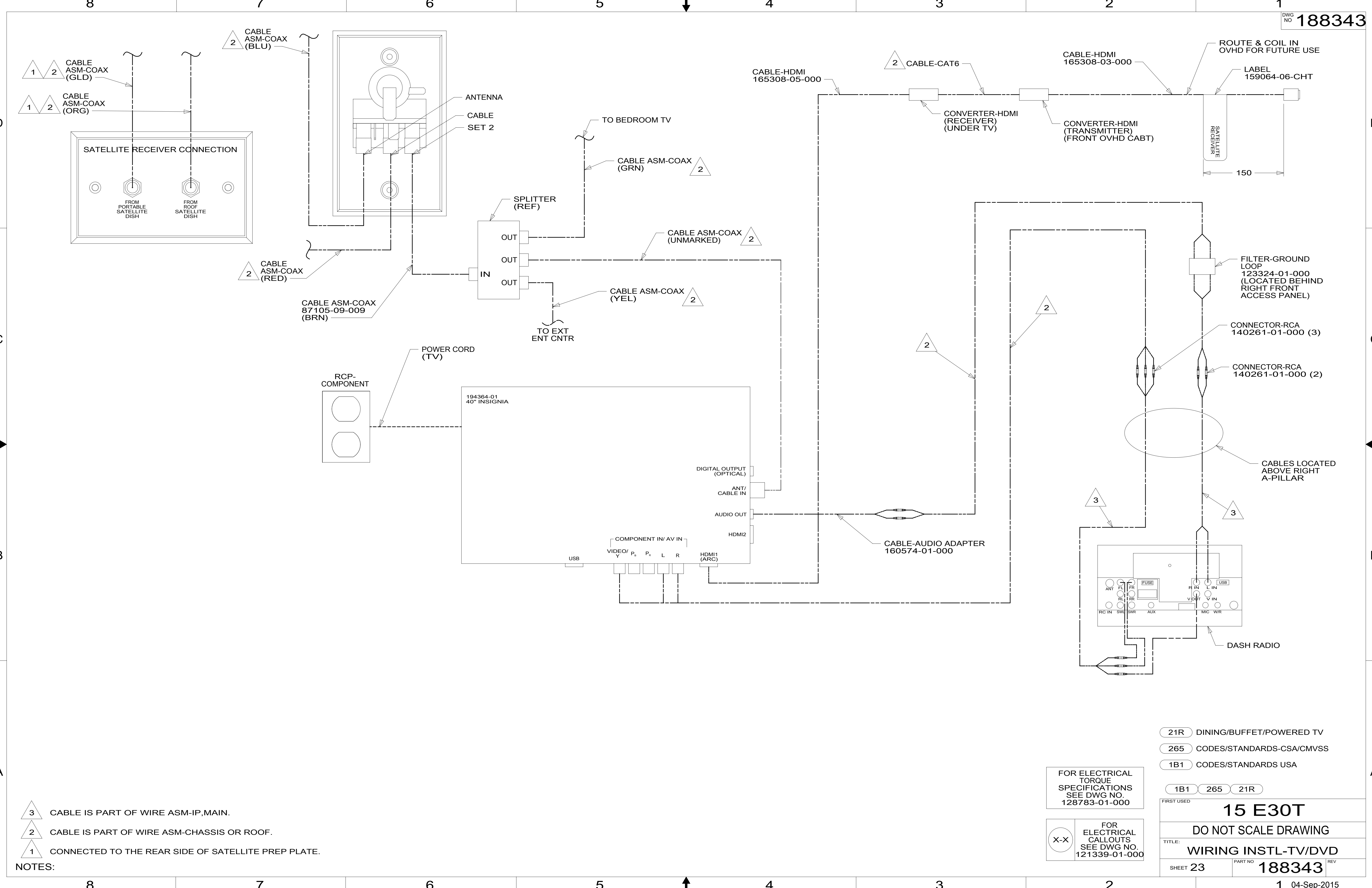
FOR ELECTRICAL CALLOUTS SEE DWG NO. 121339-01-000

- 21R DINING/BUFFET/POWERED TV
- 265 CODES/STANDARDS-CSA/CMVSS
- 1B1 CODES/STANDARDS USA

1B1 265 21R

FIRST USED	15 E30T
TITLE:	DO NOT SCALE DRAWING
	WIRING INSTL-TV/DVD
SHEET 22	PART NO 188343 REV

\*188343\*



- NOTES:
- 3 CABLE IS PART OF WIRE ASM-IP.MAIN.
  - 2 CABLE IS PART OF WIRE ASM-CHASSIS OR ROOF.
  - 1 CONNECTED TO THE REAR SIDE OF SATELLITE PREP PLATE.

FOR ELECTRICAL TORQUE SPECIFICATIONS SEE DWG NO. 128783-01-000

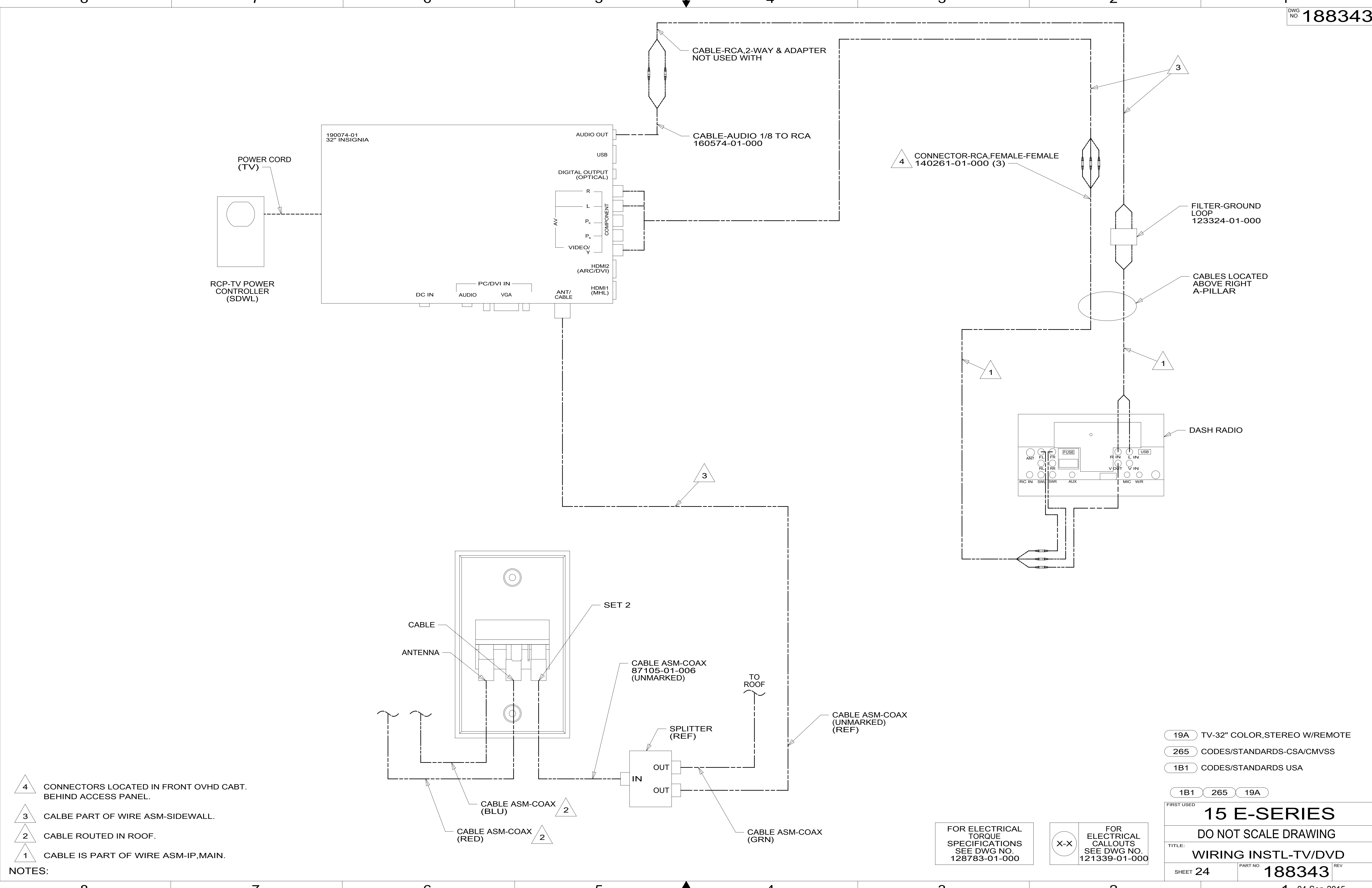
X-X FOR ELECTRICAL CALLOUTS SEE DWG NO. 121339-01-000

- 21R DINING/BUFFET/POWERED TV
- 265 CODES/STANDARDS-CSA/CMVSS
- 1B1 CODES/STANDARDS USA

1B1	265	21R
FIRST USED		
<b>15 E30T</b>		
DO NOT SCALE DRAWING		
TITLE: <b>WIRING INSTL-TV/DVD</b>		
SHEET 23	PART NO. <b>188343</b>	REV
1 04-Sep-2015		

\*188343\*A





- NOTES:
- 4 CONNECTORS LOCATED IN FRONT OVHD CABT. BEHIND ACCESS PANEL.
  - 3 CALBE PART OF WIRE ASM-SIDEWALL.
  - 2 CABLE ROUTED IN ROOF.
  - 1 CABLE IS PART OF WIRE ASM-IP,MAIN.

- 19A TV-32" COLOR,STEREO W/REMOTE
- 265 CODES/STANDARDS-CSA/CMVSS
- 1B1 CODES/STANDARDS USA

1B1 265 19A

FIRST USED

**15 E-SERIES**

DO NOT SCALE DRAWING

TITLE: **WIRING INSTL-TV/DVD**

SHEET 24 PART NO **188343** REV

1 04-Sep-2015

FOR ELECTRICAL TORQUE SPECIFICATIONS SEE DWG NO. 128783-01-000

FOR ELECTRICAL CALLOUTS SEE DWG NO. 121339-01-000

\*188343\*