



DANGER

Danger of electrical shock, burns or death. Always remove all power sources before attempting any repair, service or diagnostic work. Power can be present from shore power, generator, inverter or battery. All power sources must be disabled and secured before performing any service.



CAUTION

If you lack the skills, tools or equipment to perform diagnostic or repair work leave such work to an authorized Winnebago Industries dealer or other qualified shop.

DRAWING NO.	MODEL	SHEET
188338-01	E27N	1,2,4,6
188338-02	E26HE	1,2,4,5,6
188338-03	E30T	1,2,4,5,6,9
188338-04	E35B	1,2,3,5,6
188338-05	E35F	1,2,5,6,7
188338-06	E31KE	1,2,4,5,6
188338-07	E36Y	1,2,5,6,8

		E26HE	E27N	E30T	E35B	E35F	E31KE	E36Y
RED	1B1	136135-07-045	136135-07-091	136135-07-073	136135-07-062	136135-07-063	136135-07-058	136135-07-057
	265	136136-07-045	136136-07-091	136136-07-073	136136-07-062	136136-07-063	136136-07-058	136136-07-057
YEL	1B1	136131-05-010	136131-05-070	136131-05-024	136131-05-037	136131-05-015	136131-05-050	136131-05-012
	265	136134-05-010	136134-05-070	136134-05-024	136134-05-037	136134-05-015	136134-05-050	136134-05-012
YEL-2	1B1			136131-13-024	136131-13-051	136131-13-042		
	265			136134-13-024	136134-13-051	136134-13-042		
BRN	1B1	136131-03-051	136131-03-056	136131-03-043	136131-03-122	136131-03-077	136131-03-100	136131-03-115
	265	136134-03-051	136134-03-056	136134-03-043	136134-03-122	136134-03-077	136134-03-100	136134-03-115
BLU	1B1	136131-02-087	136131-02-150	136131-02-140	136131-02-142	136131-02-211	136131-02-129	136131-02-115
	265	136134-02-087	136134-02-150	136134-02-140	136134-02-142	136134-02-211	136134-02-129	136134-02-115
MAIN	1B1	136137-01-065	136137-01-020	136137-01-064			136137-01-081	176841-01-024
	265	136138-01-065	136138-01-020	136138-01-064			136138-01-081	176841-01-024
MAIN	1B1			136139-01-064	136139-01-084	136139-01-080		
	265			136140-01-064	136140-01-084	136140-01-080		
GRN	1B1			136135-08-073	136135-08-062	136135-08-063		136135-08-057
	265			136136-08-073	136136-08-062	136136-08-063		136136-08-057
GRY	1B1					136131-15-055		
	265					136134-15-055		
PUR	1B1				136131-04-047	136131-04-055		136131-04-020
	265				136134-04-047	136134-04-055		136134-04-020
BLK	1B1	136135-06-017	136135-06-080	136135-06-022	136131-06-062	136131-06-054	136135-06-061	136131-06-012
	265	136136-06-017	136136-06-080	136136-06-022	136134-06-062	136134-06-054	136136-06-061	136134-06-012
WHT	1B1		136135-09-030	136135-09-060	136135-09-027	136135-09-030		136135-09-024
	265		136136-09-030	136136-09-060	136136-09-027	136136-09-030		136136-09-024
GLD	1B1							136131-10-035
	265							136134-10-035
GLD-2	1B1							136131-20-035
	265							136134-20-035
GROUND ATS			136145-01-015	136145-01-042	136145-01-062	136145-01-048		136145-01-015
GROUND MAIN		136145-01-012	178545-01-024	178545-01-015 136145-01-015	136145-01-050	136145-01-056	178545-01-020	136145-01-024
GROUND CONVERTER				136145-01-003				

- ALL WEATHER UPGRADE PACKAGE
- ELECTRICAL SYSTEM-50 AMP
- ELECTRICAL SYSTEM 30 AMP
- CODES/STANDARDS-CSA/CMVSS
- CODES/STANDARDS USA



DFTR	ORIG. DATE
CHKR	ALL DIMENSIONS ARE IN MILLIMETERS
P.E.	
M.E.	FIRST USED
DSNR	15 E-SERIES

UNSPECIFIED TOLERANCES ARE:
 WHOLE DIM (X) : 3
 ONE-PLACE (X.X) : 1.5
 TWO-PLACE (X.XX) : 0.50
 ANGLE : 1°

THIRD ANGLE PROJECTION

DO NOT SCALE DRAWING REFER TO ES0018 FOR FASTENER TIGHTENING GUIDELINES

TITLE:	LOAD CENTER/ATS ASM
SHEET 1 OF 9	PART NO. 188338 REV

- SEE DETAIL FD FOR EMS INSTALLATION.
- SEE DETAIL FB FOR CONNECTOR INSTALLATION.
1. ALL GROUNDS WIRES TO BE COVERED WITH TUBING 8041-02-000.

FOR ELECTRICAL TORQUE SPECIFICATIONS SEE DWG NO. 128783-01-000

FOR ELECTRICAL CALLOUTS SEE DWG NO. 121339-01-000

188338

		E26HE	E27N	E30T	E35B	E35F	E31KE	E36Y
THROW IN WIRE #1	1B1	136131-03-061	136131-03-012	136131-02-003	136131-12-055	136131-03-055	136131-03-032	136131-04-019
	265	136134-03-061	136134-03-012	136134-02-003	136134-12-055	136134-03-055	136134-03-032	136134-04-019
THROW IN WIRE #2	1B1	136131-05-012	136131-02-043	136131-19-184	136131-12-150	136131-12-200		136131-06-024
	265	136134-05-012	136134-02-043	136134-19-184	136134-12-150	136134-12-200		136134-06-024
THROW IN WIRE #3	1B1		136131-03-011 401	136131-03-009 401	136131-04-009 401	136131-04-007 401		136131-05-018
	265		136134-03-011 401	136134-03-009 401	136134-04-009 401	136134-04-007 401		136134-05-018
THROW IN WIRE #4	1B1		136131-19-011 401	136131-19-009 401	136131-12-009 401	136131-12-007 401		136131-03-020
	265		136134-19-011 401	136134-19-009 401	136134-12-009 401	136134-12-007 401		136134-03-020
THROW IN WIRE #5	1B1		136131-19-100	136131-02-003	136131-12-036			136131-04-088
	265		136134-19-100	136134-02-003	136134-12-036			136134-04-088
THROW IN WIRE #6	1B1		136131-19-040	136131-19-025 21R				136131-04-018
	265		136134-19-040	136134-19-025 21R				136134-04-018
THROW IN WIRE #7	1B1			136131-03-036	136131-03-016			136131-03-040
	265			136134-03-036	136134-03-016			136134-03-040
THROW IN WIRE #8	1B1			136131-19-021 21R				136131-02-045
	265			136134-19-021 21R				136134-02-045
THROW IN WIRE #9	1B1							136131-02-055
	265							136134-02-055
GENERATOR CABLE ASM	1B1						136137-01-040	
	265						136138-01-040	
GENERATOR CABLE ASM	1B1				174762-01-049		136137-01-040	
	265				174762-01-049		136138-01-040	
GROUND INVERTER								136145-04-012
SLIDEOUT WIRE #1			136151-02-018	136151-03-031	136151-12-034	136151-03-015	136151-03-016	
SLIDEOUT WIRE #2			136151-05-018		136151-12-032	136151-03-025		
SLIDEOUT WIRE #3			136151-03-018					
SLIDEOUT WIRE #4			136152-06-018					
INVERTER CHARGER MAIN	1B1							136137-01-065
	265							136138-01-065
INVERTER CHARGER SUB MAIN	1B1							136137-01-065
	265							136138-01-065

SEE DETAIL FE FOR ADDITIONAL INFORMATION.
 SEE DETAIL FB FOR CONNECTOR INSTALLATION.
 1. ALL GROUNDS WIRES TO BE COVERED WITH TUBING 8041-02-000.

SEE DETAIL FC FOR CONNECTOR INSTALLATION.
 SEE DETAIL FA FOR CONNECTOR INSTALLATION.
 SEE DETAIL FG FOR ADDITIONAL INFORMATION.

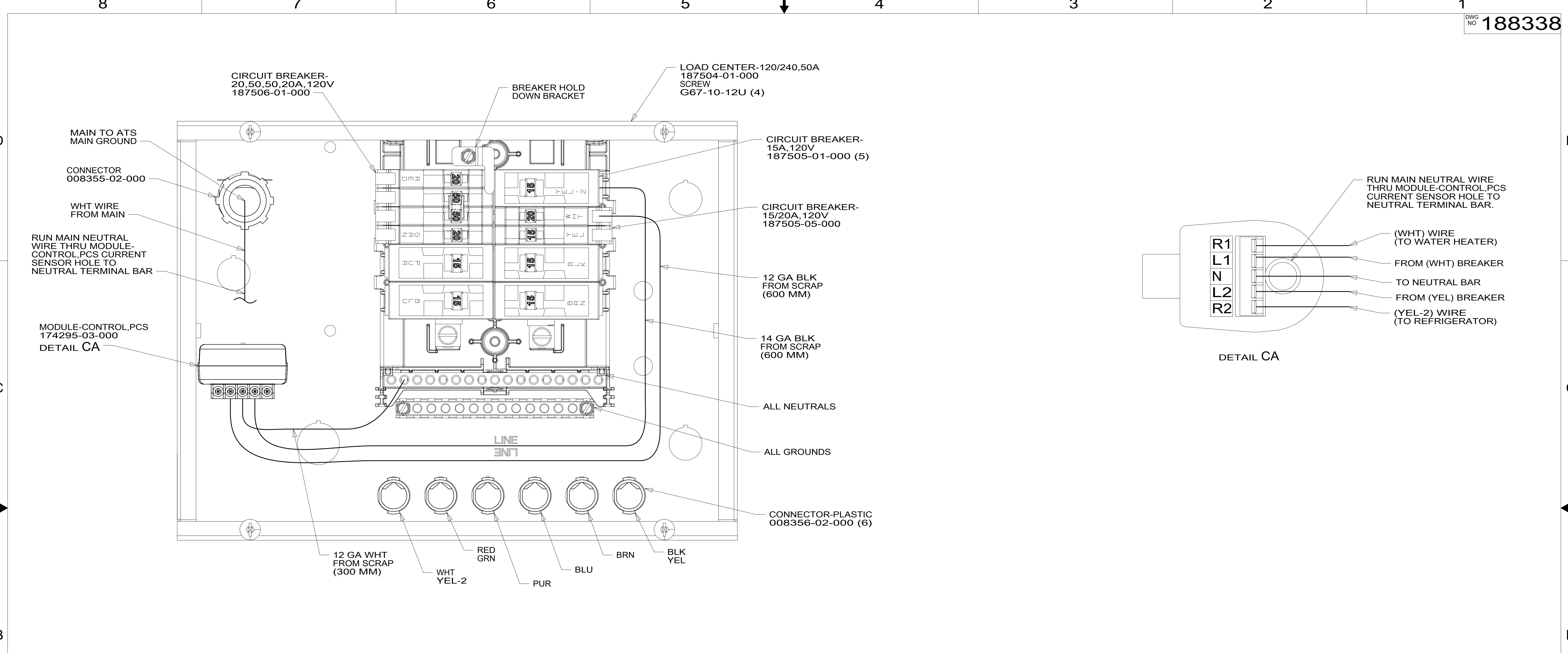
FOR ELECTRICAL TORQUE SPECIFICATIONS SEE DWG NO. 128783-01-000

FOR ELECTRICAL CALLOUTS SEE DWG NO. 121339-01-000

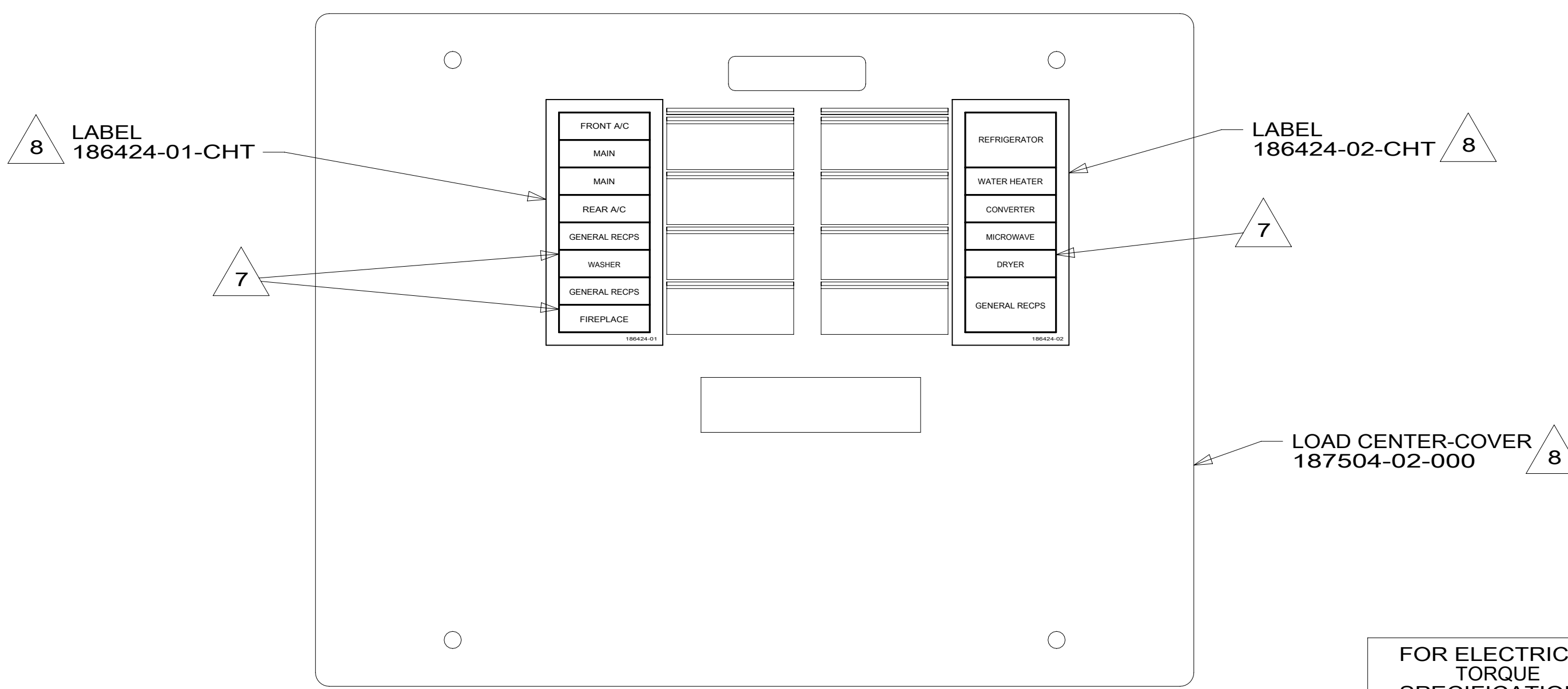
- DINING/BUFFET/POWERED TV
- INVERTER-DC/AC, 1000 WATT
- CODES/STANDARDS-CSA/CMVSS
- CODES/STANDARDS USA

FIRST USED
15 E-SERIES
 DO NOT SCALE DRAWING
 TITLE: **LOAD CENTER/ATS ASM**
 SHEET 2 PART NO **188338** REV
 1 17-Nov-2015

188338



- 8 INSTALLED BY ASSEMBLY LINE.
- 7 BLACKEN OUT "WASHER", "DRYER", AND "FIREPLACE" WITH BLACK MARKER.
6. ATTACH WIRES TO BACKSIDE OF LOAD CENTER, USE EXISTING HOLES AND TIE-WIRE 116673-01-000.
 5. REMOVE 400MM FROM OUTER JACKET ON ALL WIRES ENTERING LOAD CENTER AND TRIM INDIVIDUAL CONDUCTORS AS REQUIRED TO MAKE INTERNAL CONNECTIONS
 4. ALL 110V STRANDED WIRE W/O TERMINALS TO BE STRIPPED 10MM AND SOLDER DIPPED.
 3. ALL WIRES TO BE CLAMPED WITHIN 200MM OF ATS.
 2. GROUND WIRES ARE NOT SHOWN FOR CLARITY.
 1. ALL GROUND WIRES TO BE COVERED WITH TUBING 8041-02-000.
- NOTES:



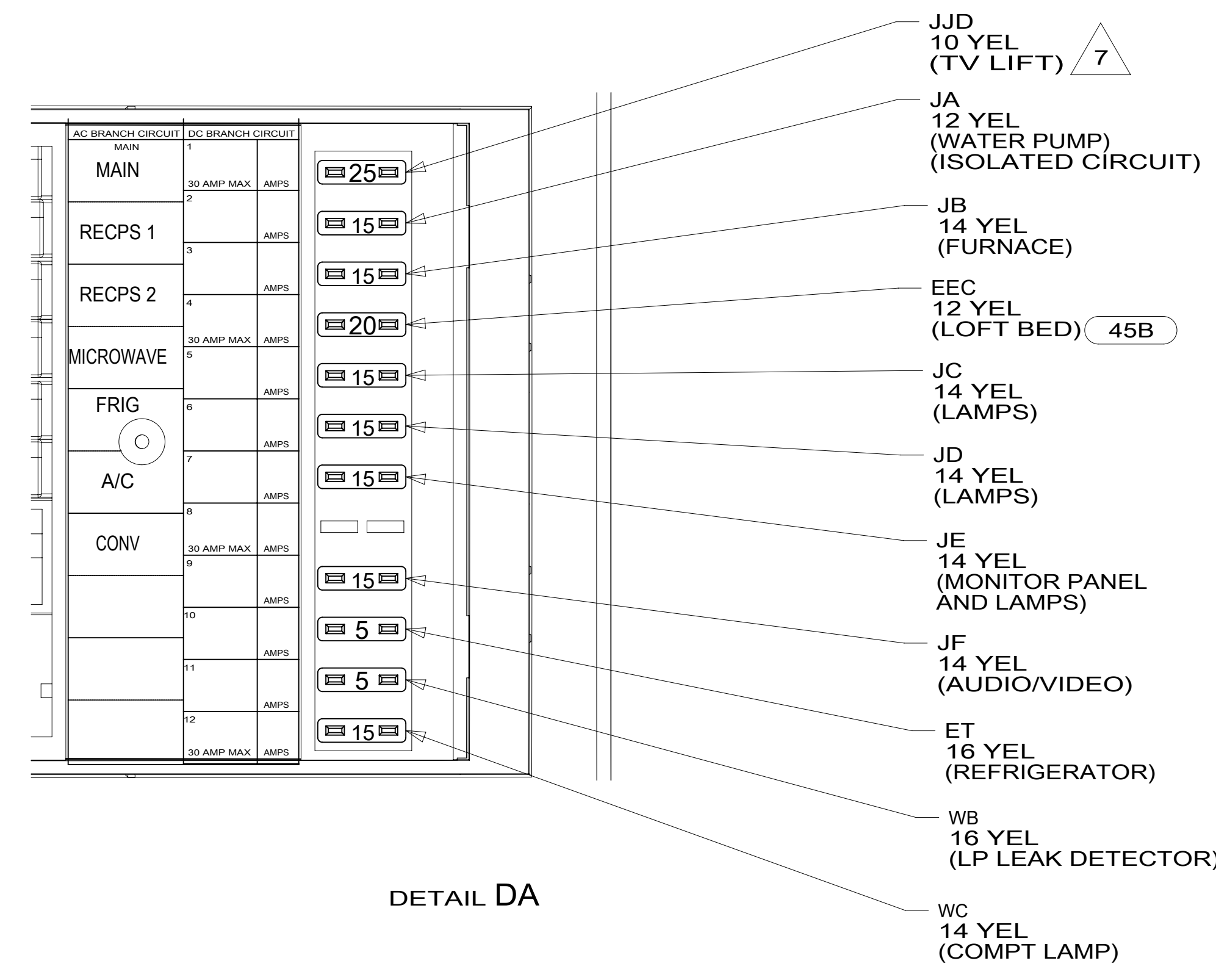
FOR ELECTRICAL TORQUE SPECIFICATIONS SEE DWG NO. 128783-01-000

FOR ELECTRICAL CALLOUTS SEE DWG NO. 121339-01-000

- 53D WTR HTR-6GAL/ELE/LP/MOTORAID
- 29R AC HEAT PUMP-2 HI EFFICIENCY
- 276 A/C ROOF-HI EFF (2) W/EMS
- 78J ELECTRICAL SYSTEM-50 AMP
- 265 CODES/STANDARDS-CSA/CMVSS
- 1B1 CODES/STANDARDS USA

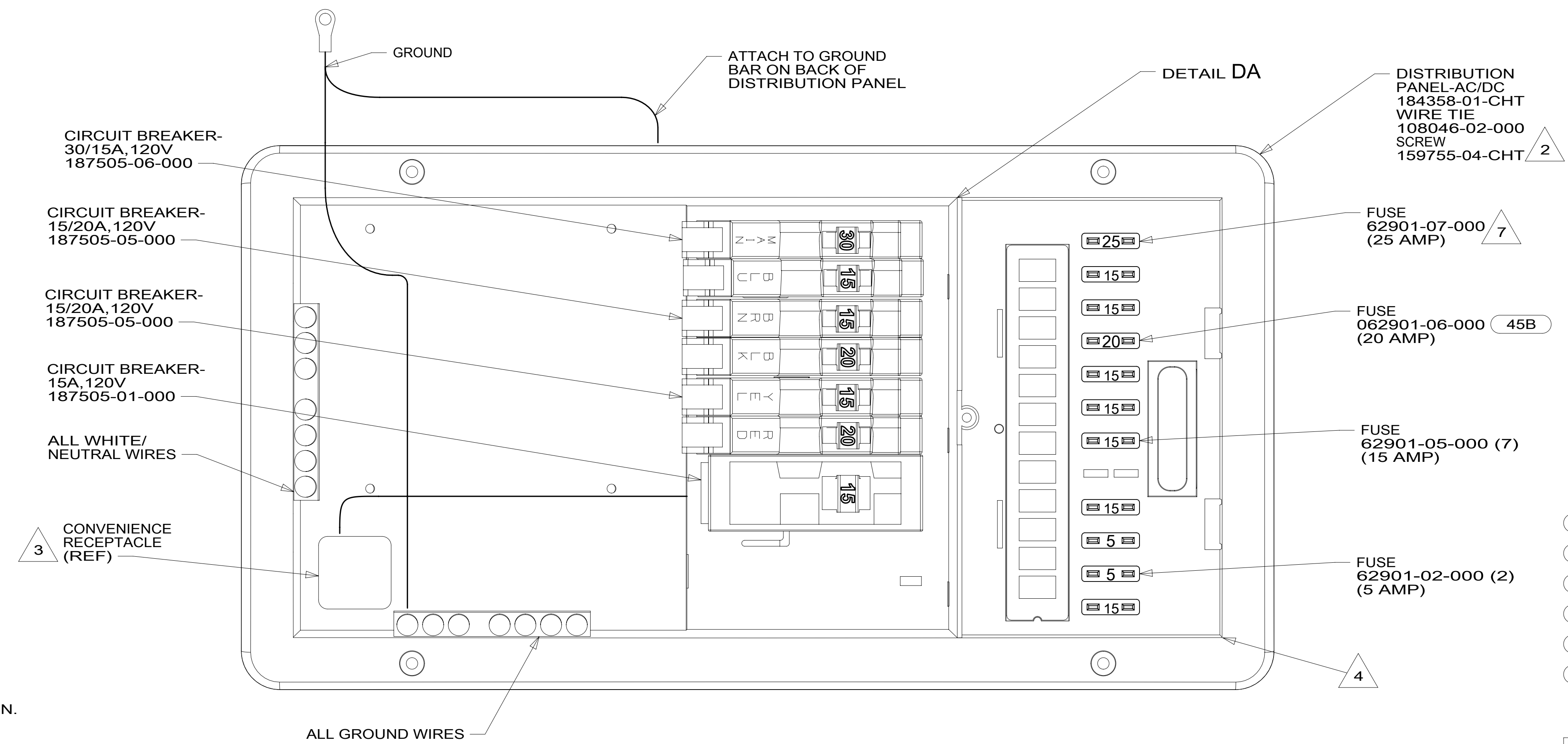
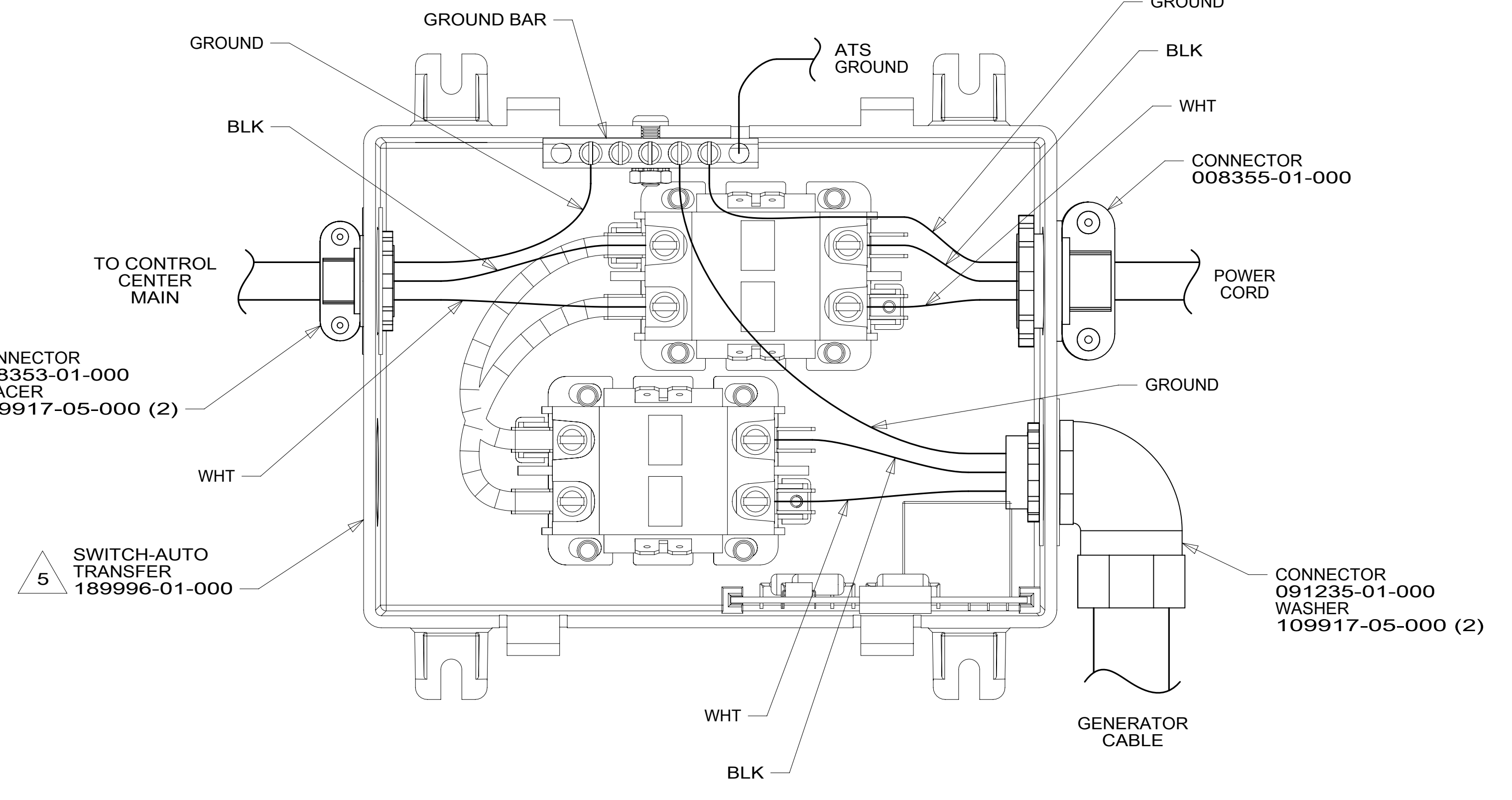
1B1	265	78J	276	29R
FIRST USED				
15 E-SERIES				
DO NOT SCALE DRAWING				
TITLE: LOAD CENTER/ATS ASM				
SHEET 3	PART NO 188338			REV

188338



- JJD 10 YEL (TV LIFT) 7
- JA 12 YEL (WATER PUMP) (ISOLATED CIRCUIT)
- JB 14 YEL (FURNACE)
- EEC 12 YEL (LOFT BED) 45B
- JC 14 YEL (LAMPS)
- JD 14 YEL (LAMPS)
- JE 14 YEL (MONITOR PANEL AND LAMPS)
- JF 14 YEL (AUDIO/VIDEO)
- ET 16 YEL (REFRIGERATOR)
- WB 16 YEL (LP LEAK DETECTOR)
- WC 14 YEL (COMPT LAMP)

DETAIL DA



- 7 USED ON E30T.
- 6 GENERATOR CABLE ON BOTTOM FOR E30T.
- 5 NOT USED ON E26HE OR E31KE.
- 4 SEE WIRING INSTL-BODY, 12V FOR ADDITIONAL INFORMATION.
- 3 CONNECT BLACK WIRE FROM CONVENIENCE RECEPTACLE TO DEDICATED CIRCUIT BREAKER.
- 2 ATTACH TO UNUSED SCREW HOLE ON BACK SIDE OF PANEL TO SECURE WIRES.

1. ALL GROUND WIRES TO BE COVERED WITH TUBING 8041-02-000.

NOTES:

- 45B LOFT BED
- 29J AC HEAT PUMP-1
- 25Q A/C ROOF AIR (1) 14,800 BTU
- 12D ELECTRICAL SYSTEM 30 AMP
- 265 CODES/STANDARDS-CSA/CMVSS
- 1B1 CODES/STANDARDS USA

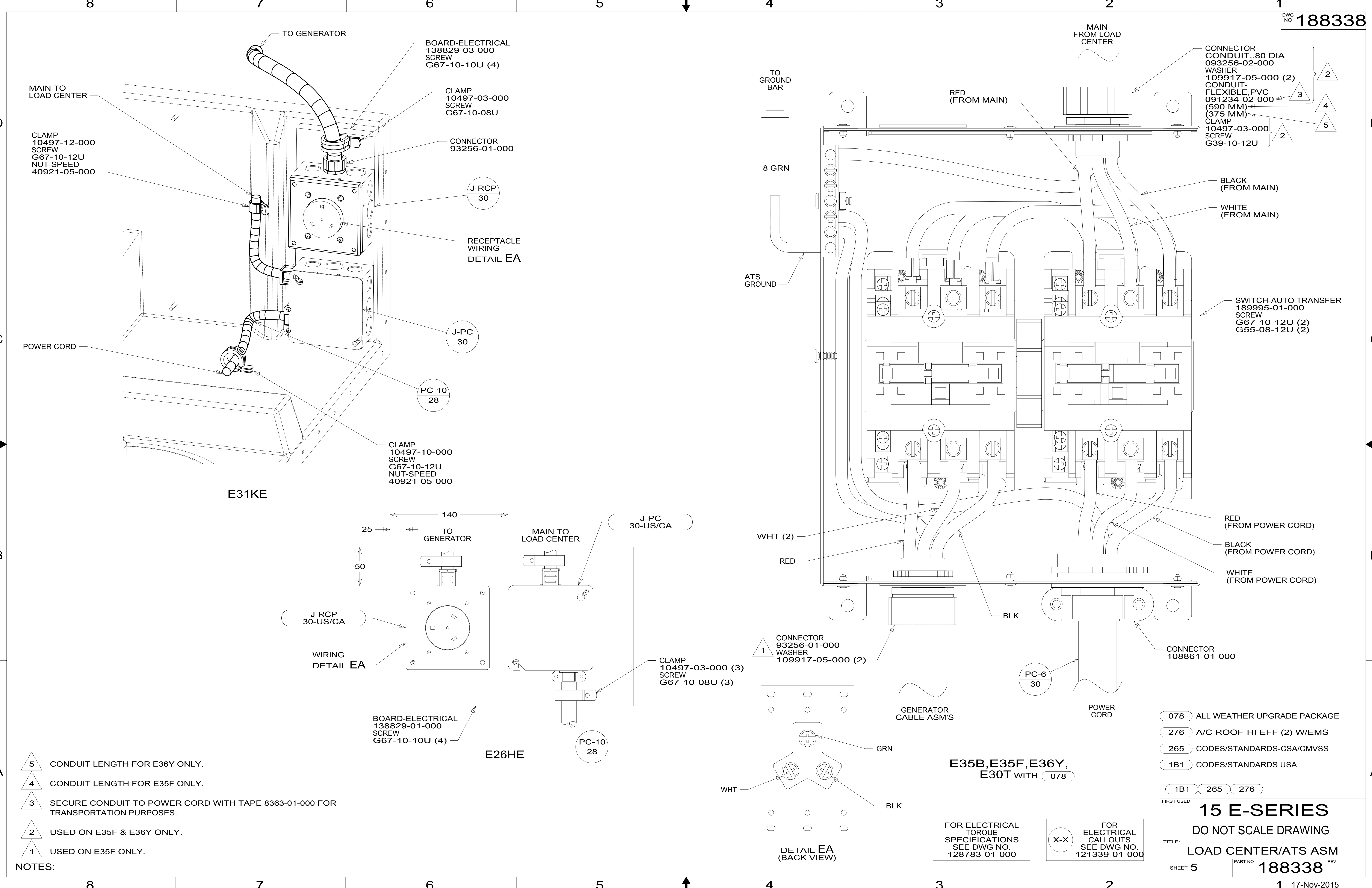
1B1	265	12D	25Q	29J
15 E-SERIES				
DO NOT SCALE DRAWING				
TITLE: LOAD CENTER/ATS ASM				
SHEET 4	PART NO. 188338			REV
17-Nov-2015				

FOR ELECTRICAL TORQUE SPECIFICATIONS SEE DWG NO. 128783-01-000

FOR ELECTRICAL CALLOUTS SEE DWG NO. 121339-01-000

E27N,E30T,E26HE,E31KE

188338



- NOTES:
- 5 CONDUIT LENGTH FOR E36Y ONLY.
 - 4 CONDUIT LENGTH FOR E35F ONLY.
 - 3 SECURE CONDUIT TO POWER CORD WITH TAPE 8363-01-000 FOR TRANSPORTATION PURPOSES.
 - 2 USED ON E35F & E36Y ONLY.
 - 1 USED ON E35F ONLY.

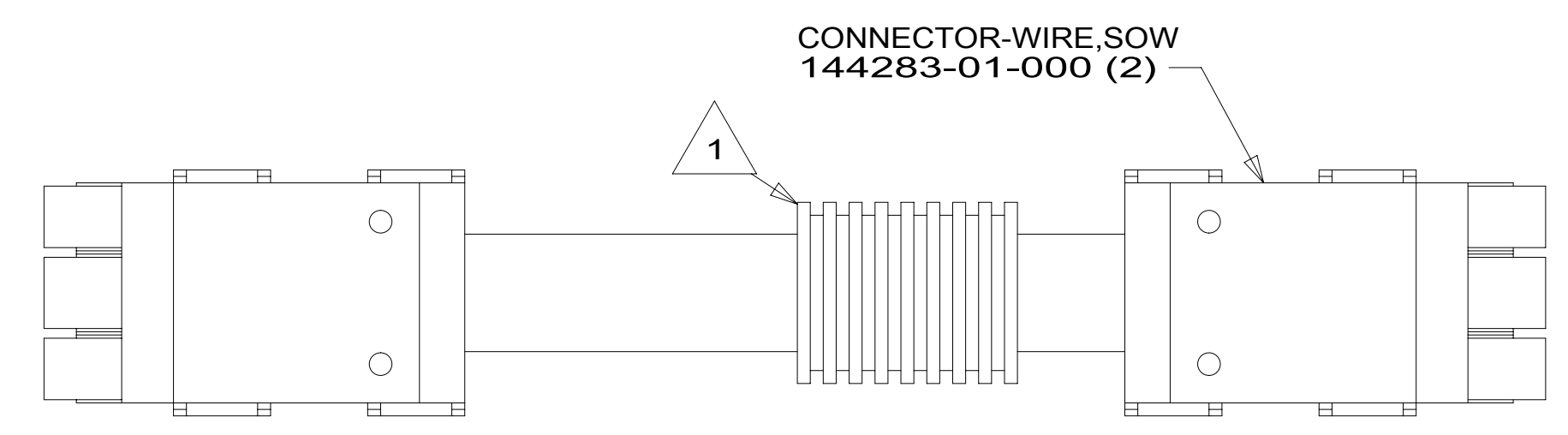
- 078 ALL WEATHER UPGRADE PACKAGE
- 276 A/C ROOF-HI EFF (2) W/EMS
- 265 CODES/STANDARDS-CSA/CMVSS
- 1B1 CODES/STANDARDS USA

1B1	265	276
FIRST USED		
15 E-SERIES		
DO NOT SCALE DRAWING		
TITLE: LOAD CENTER/ATS ASM		
SHEET 5	PART NO 188338	REV
17-Nov-2015		

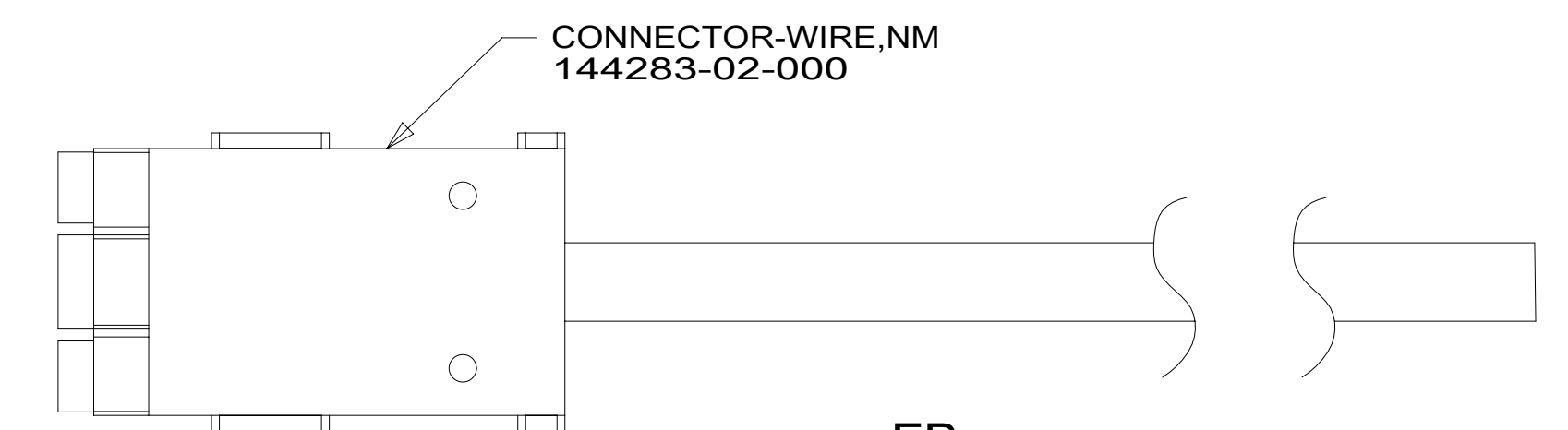
FOR ELECTRICAL TORQUE SPECIFICATIONS SEE DWG NO. 128783-01-000

FOR ELECTRICAL CALLOUTS SEE DWG NO. 121339-01-000

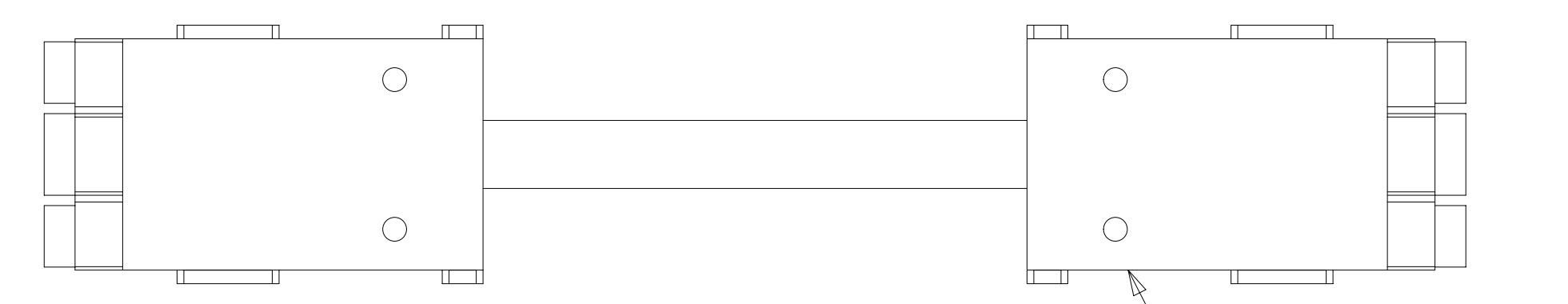
188338



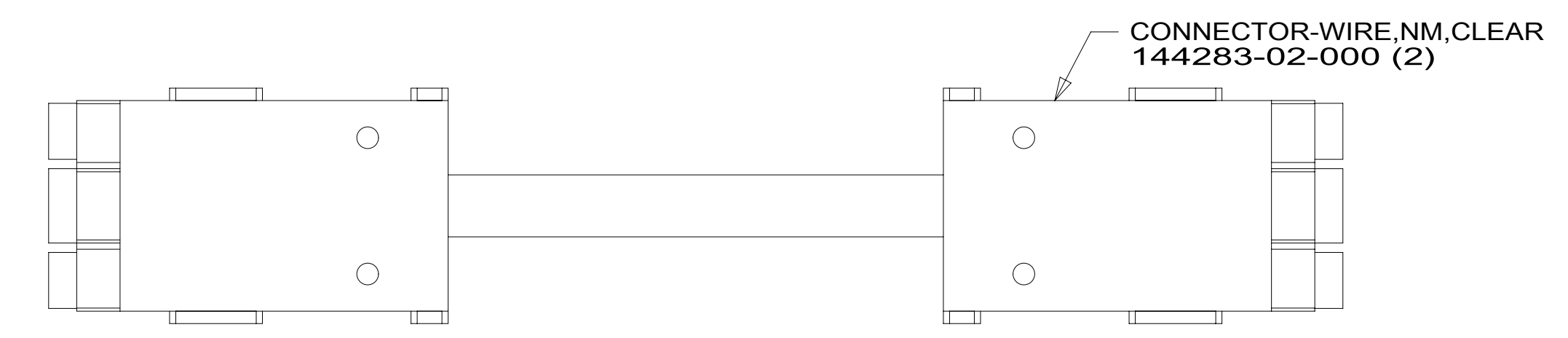
DETAIL FA



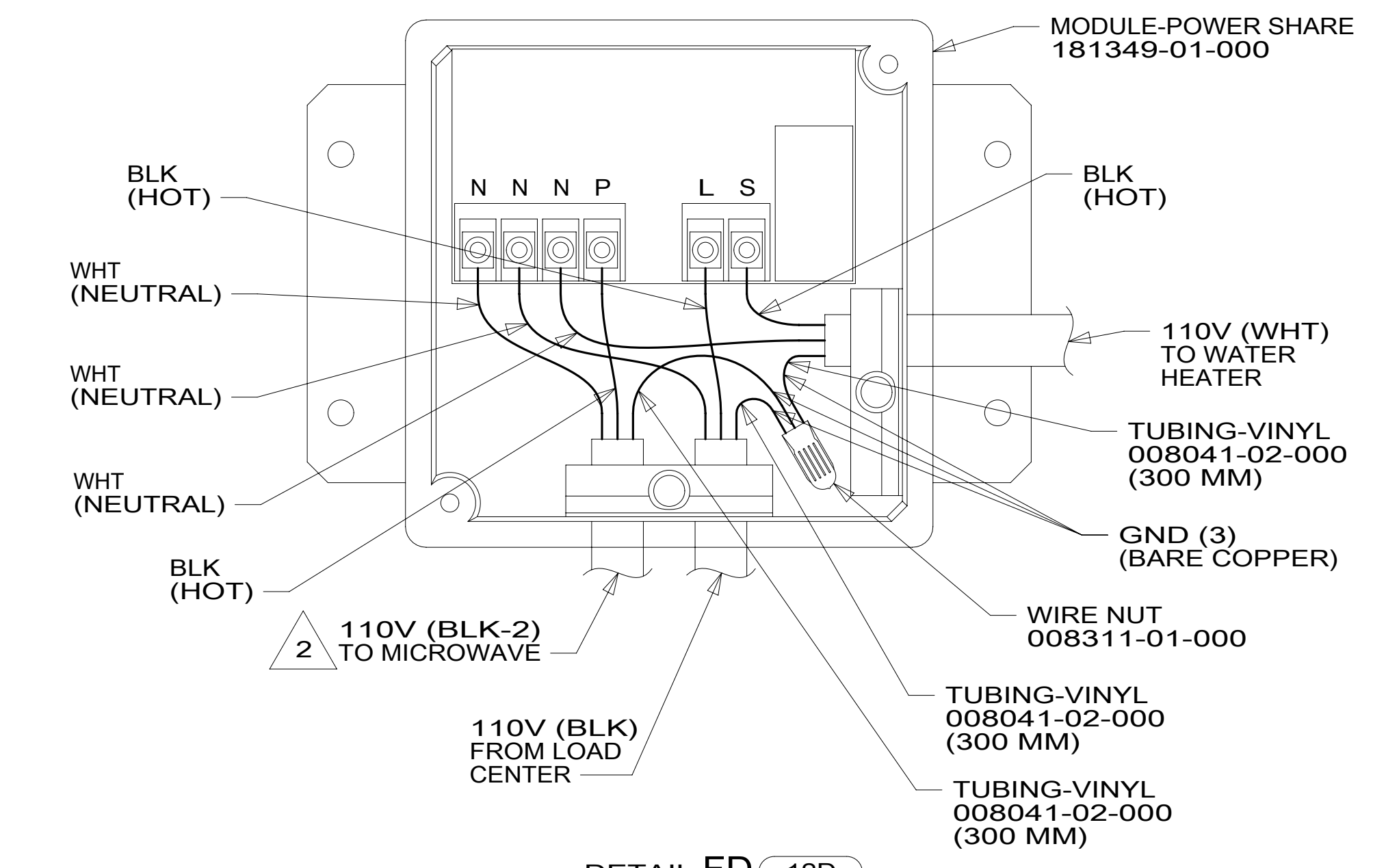
DETAIL FB



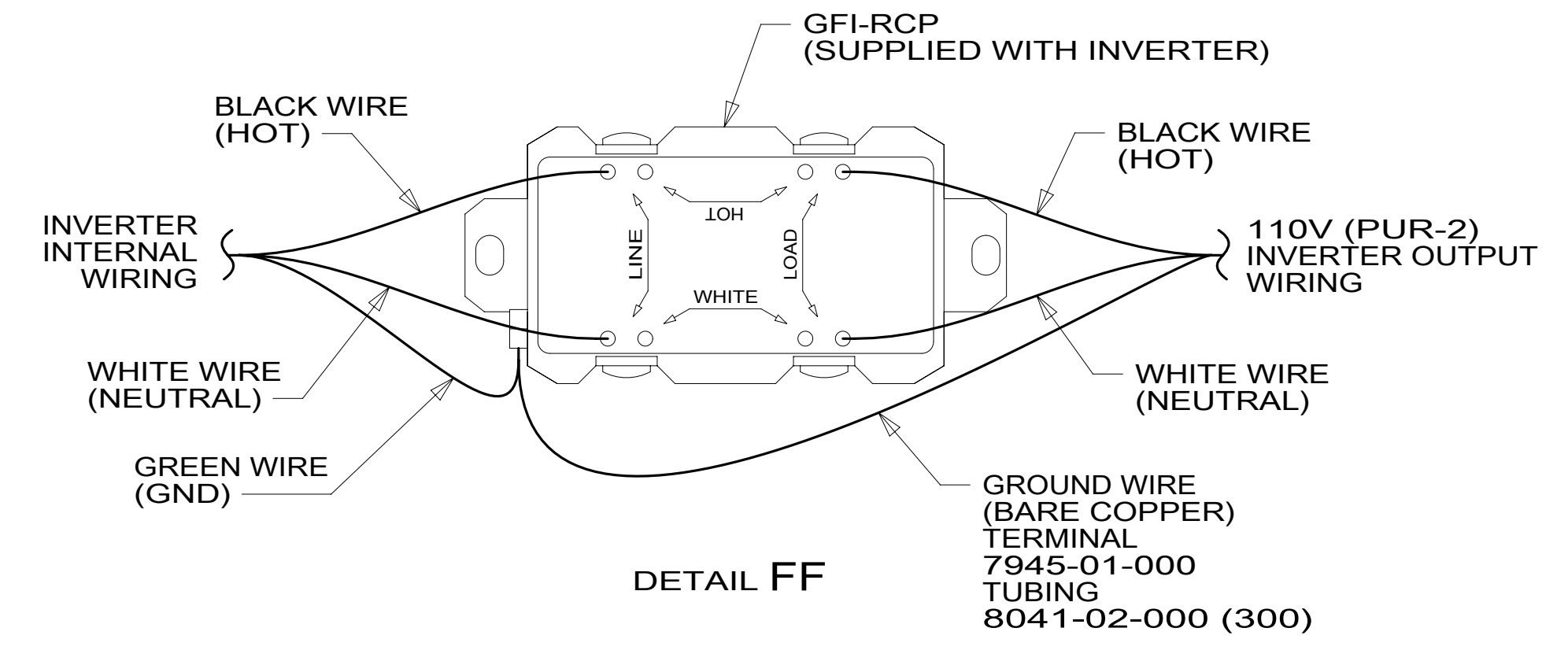
DETAIL FC



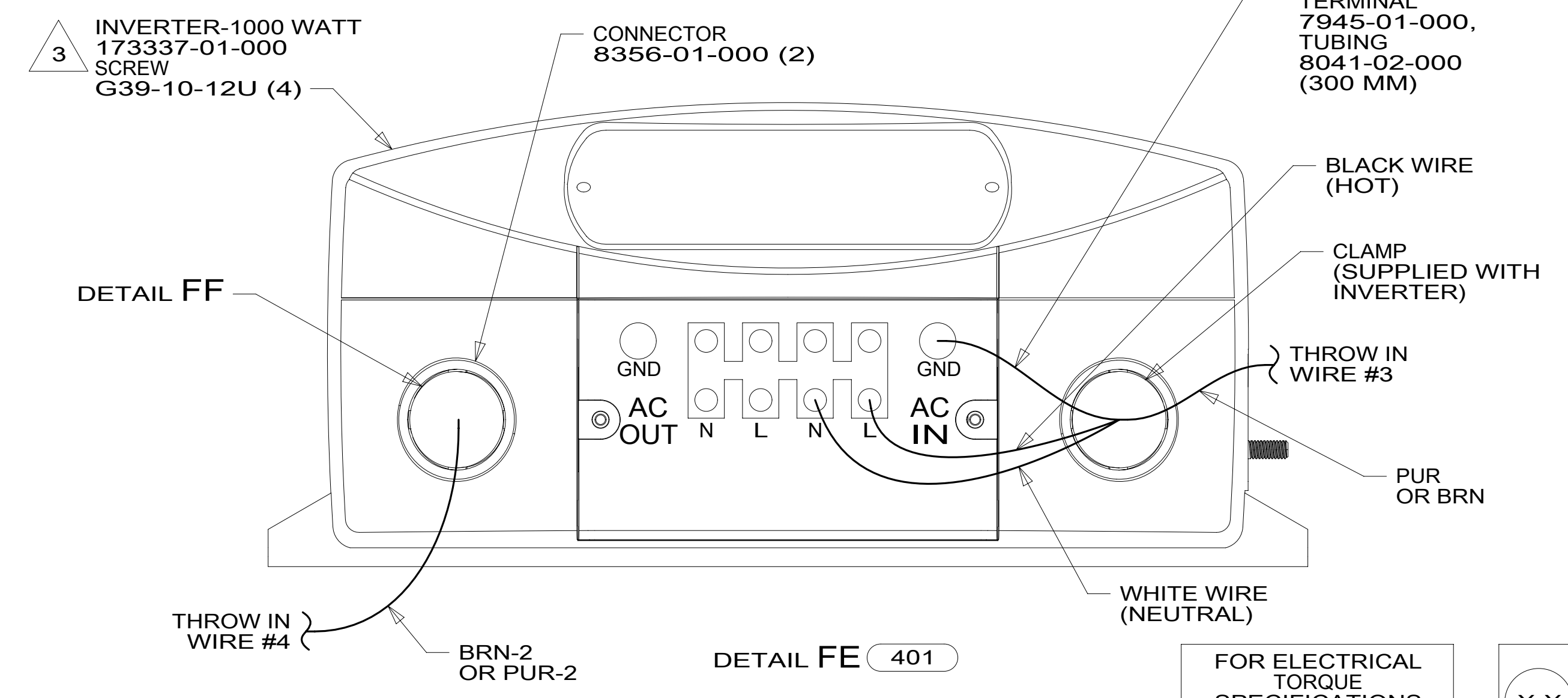
DETAIL FG



DETAIL FD (12D)



DETAIL FF



DETAIL FE (401)

- NOTES:
- 3 INVERTER SUPPLIED WITH REMOTE PANEL SEND TO MANUFACTURING LINE.
 - 2 ON E27N, MEASURE 700 MM FROM THE BACK OF THE LOAD CENTER, LOOP THE BLACK WIRE AND CONNECT AS SHOWN. ON THE E30T, MEASURE 1200 MM FROM THE BACK OF THE LOAD CENTER.
 - 1 APPLY 300MM OF CONDUIT-CONVOLUTE 41953-05-000 OVER WIRE AT DIMENSION SHOWN AND SECURE BOTH ENDS OF TUBING TO WIRE WITH TAPE 8363-01-000.

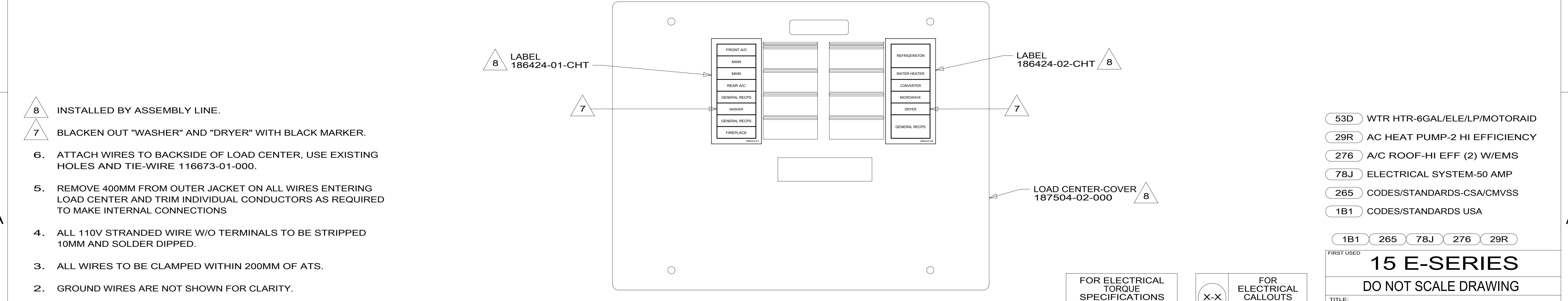
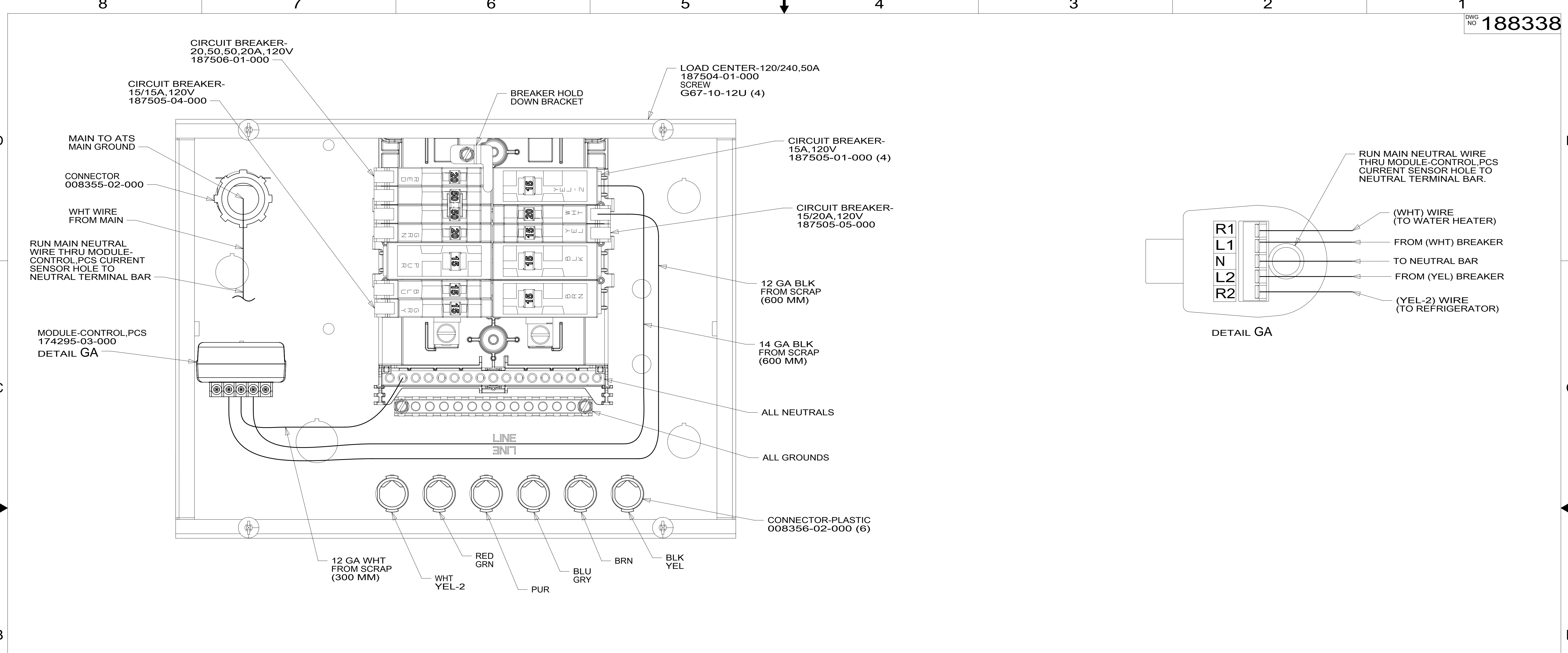
FOR ELECTRICAL TORQUE SPECIFICATIONS SEE DWG NO. 128783-01-000

FOR ELECTRICAL CALLOUTS SEE DWG NO. 121339-01-000

- 12D ELECTRICAL SYSTEM 30 AMP
- 53D WTR HTR-6GAL/ELE/LP/MOTORAID
- 53B WTR HTR-6GAL ELECTRIC/LP GAS
- 401 INVERTER-DC/AC, 1000 WATT
- 265 CODES/STANDARDS-CSA/CMVSS
- 1B1 CODES/STANDARDS USA

FIRST USED	
15 E-SERIES	
DO NOT SCALE DRAWING	
TITLE: LOAD CENTER/ATS ASM	
SHEET 6	PART NO 188338 REV
1 17-Nov-2015	

*188338 A



- NOTES:
- 8 INSTALLED BY ASSEMBLY LINE.
 - 7 BLACKEN OUT "WASHER" AND "DRYER" WITH BLACK MARKER.
 - 6. ATTACH WIRES TO BACKSIDE OF LOAD CENTER, USE EXISTING HOLES AND TIE-WIRE 116673-01-000.
 - 5. REMOVE 400MM FROM OUTER JACKET ON ALL WIRES ENTERING LOAD CENTER AND TRIM INDIVIDUAL CONDUCTORS AS REQUIRED TO MAKE INTERNAL CONNECTIONS
 - 4. ALL 110V STRANDED WIRE W/O TERMINALS TO BE STRIPPED 10MM AND SOLDER DIPPED.
 - 3. ALL WIRES TO BE CLAMPED WITHIN 200MM OF ATS.
 - 2. GROUND WIRES ARE NOT SHOWN FOR CLARITY.
 - 1. ALL GROUND WIRES TO BE COVERED WITH TUBING 8041-02-000.

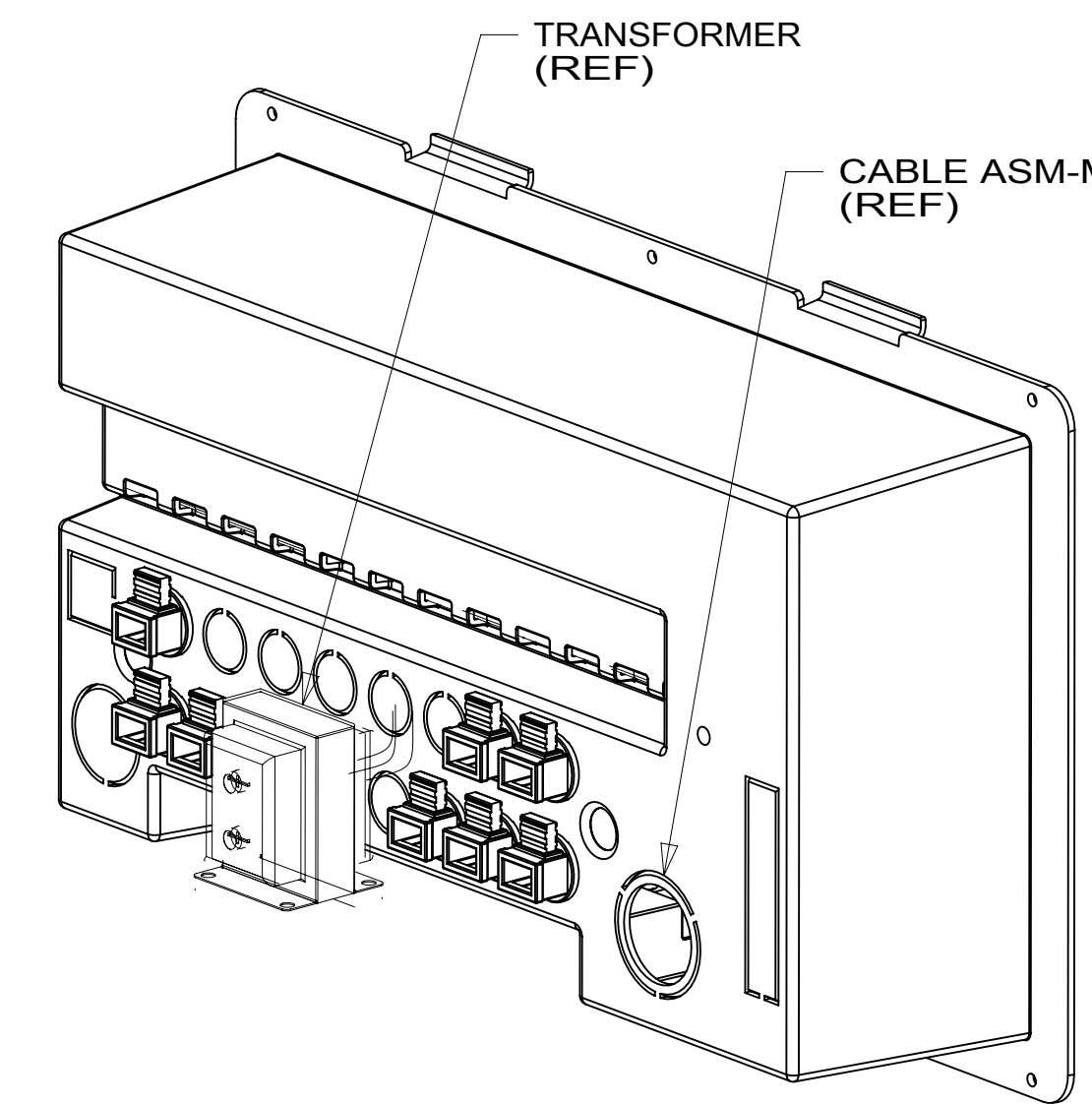
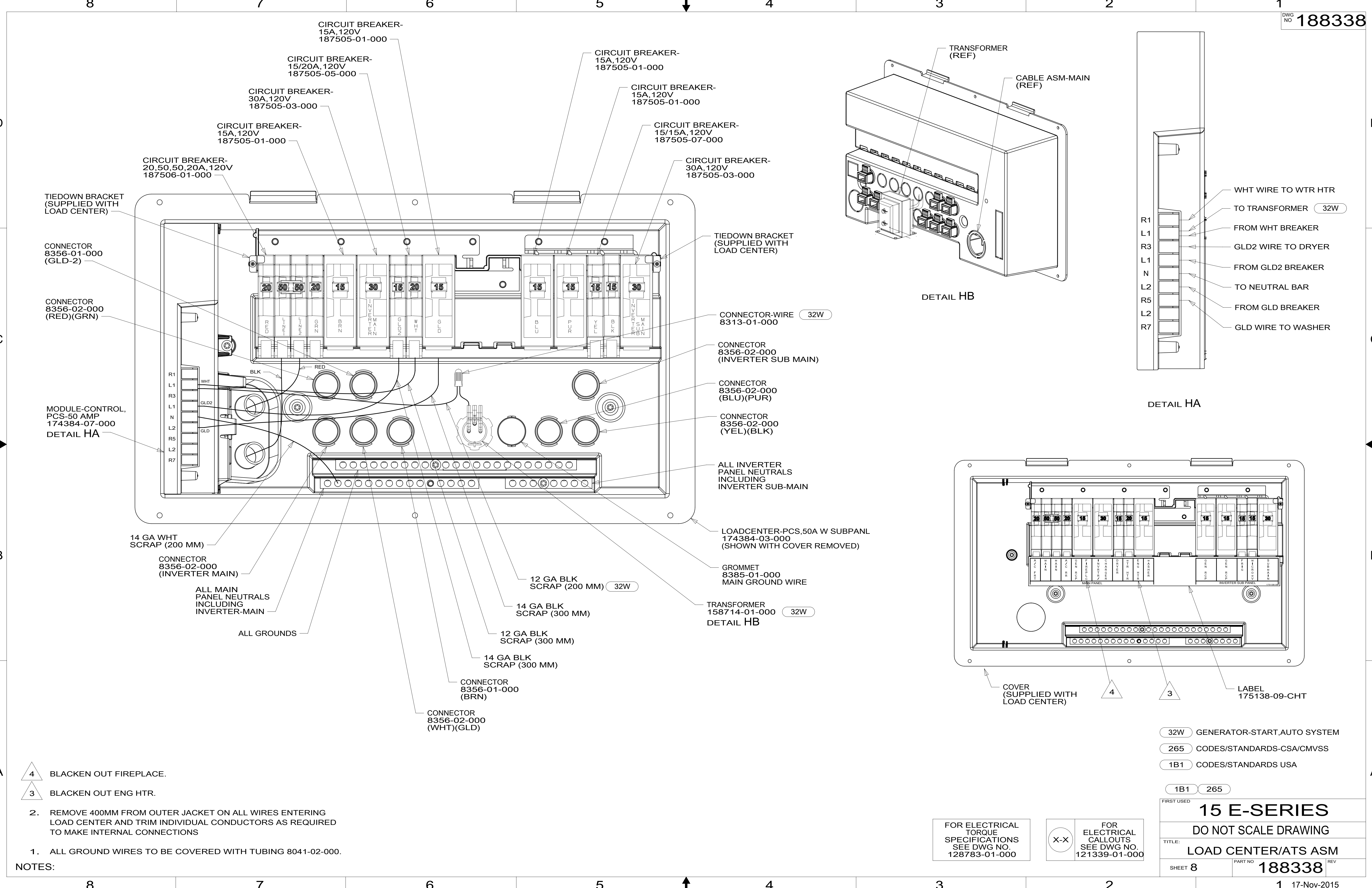
- 53D WTR HTR-6GAL/ELE/LP/MOTORAID
- 29R AC HEAT PUMP-2 HI EFFICIENCY
- 276 A/C ROOF-HI EFF (2) W/EMS
- 78J ELECTRICAL SYSTEM-50 AMP
- 265 CODES/STANDARDS-CSA/CMVSS
- 1B1 CODES/STANDARDS USA

FOR ELECTRICAL TORQUE SPECIFICATIONS SEE DWG NO. 128783-01-000

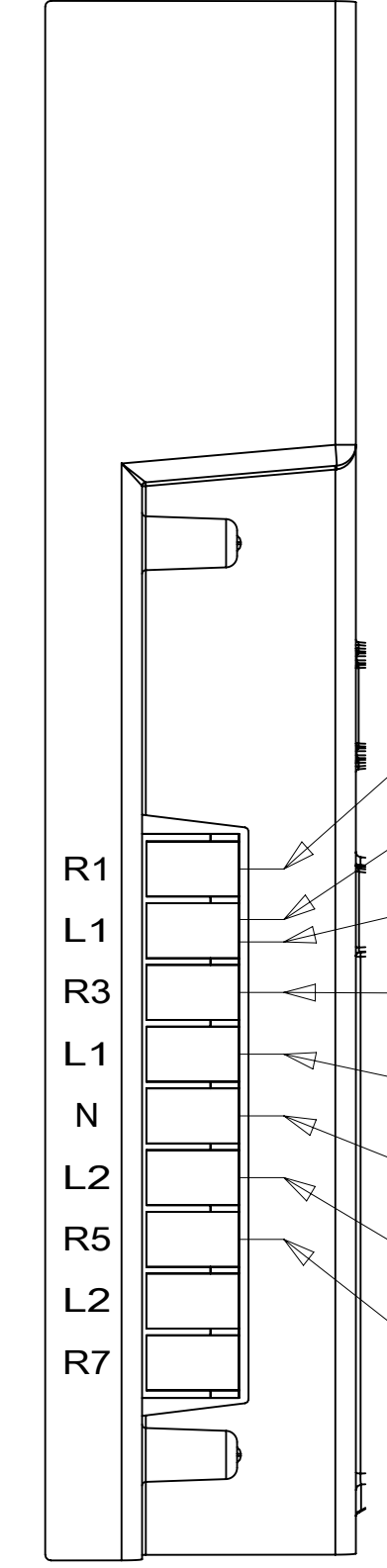
FOR ELECTRICAL CALLOUTS SEE DWG NO. 121339-01-000

FIRST USED	
15 E-SERIES	
DO NOT SCALE DRAWING	
TITLE: LOAD CENTER/ATS ASM	
SHEET 7	PART NO 188338 REV

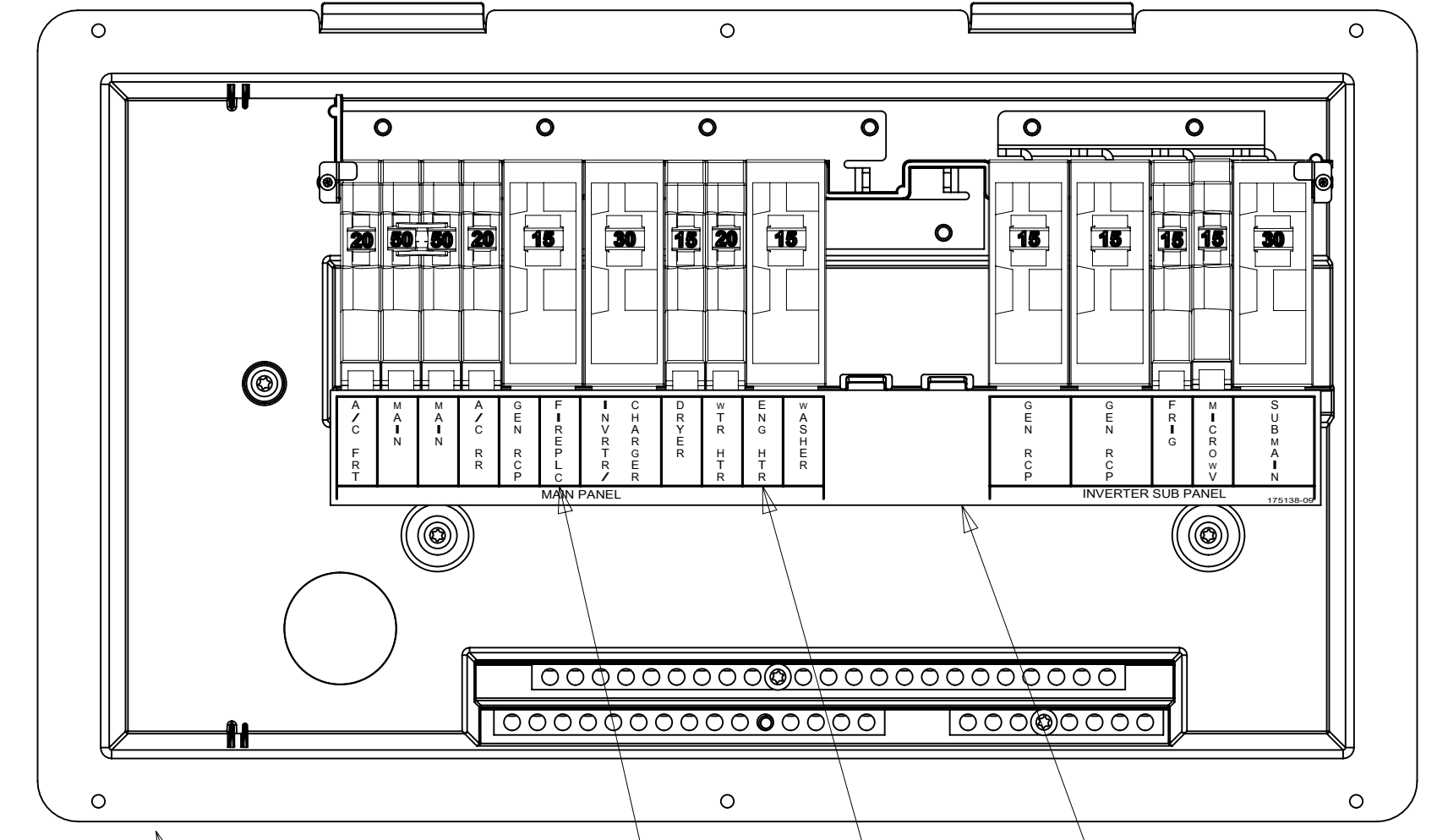
188338



DETAIL HB



DETAIL HA



COVER (SUPPLIED WITH LOAD CENTER)

LABEL 175138-09-CHT

- 32W GENERATOR-START,AUTO SYSTEM
- 265 CODES/STANDARDS-CSA/CMVSS
- 1B1 CODES/STANDARDS USA

- 1B1 265

15 E-SERIES

DO NOT SCALE DRAWING

TITLE: **LOAD CENTER/ATS ASM**

SHEET 8 PART NO **188338** REV

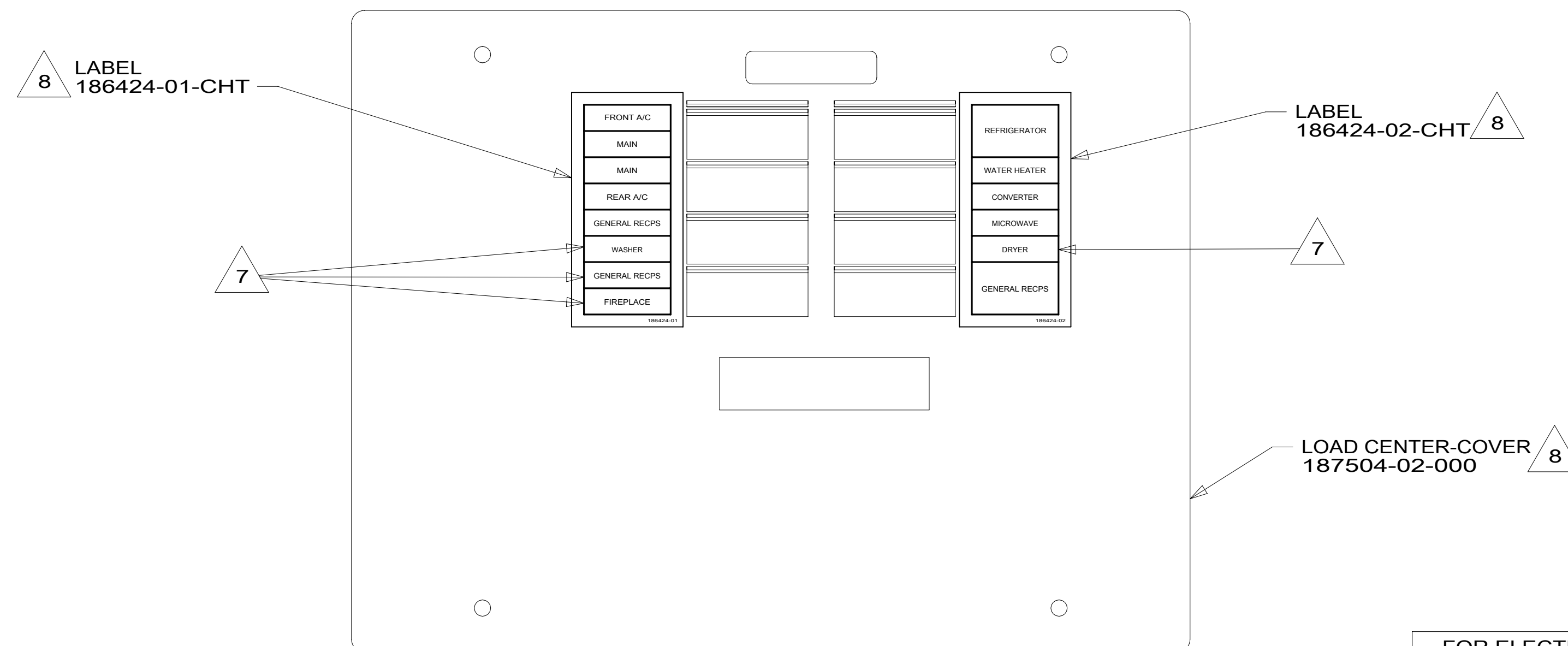
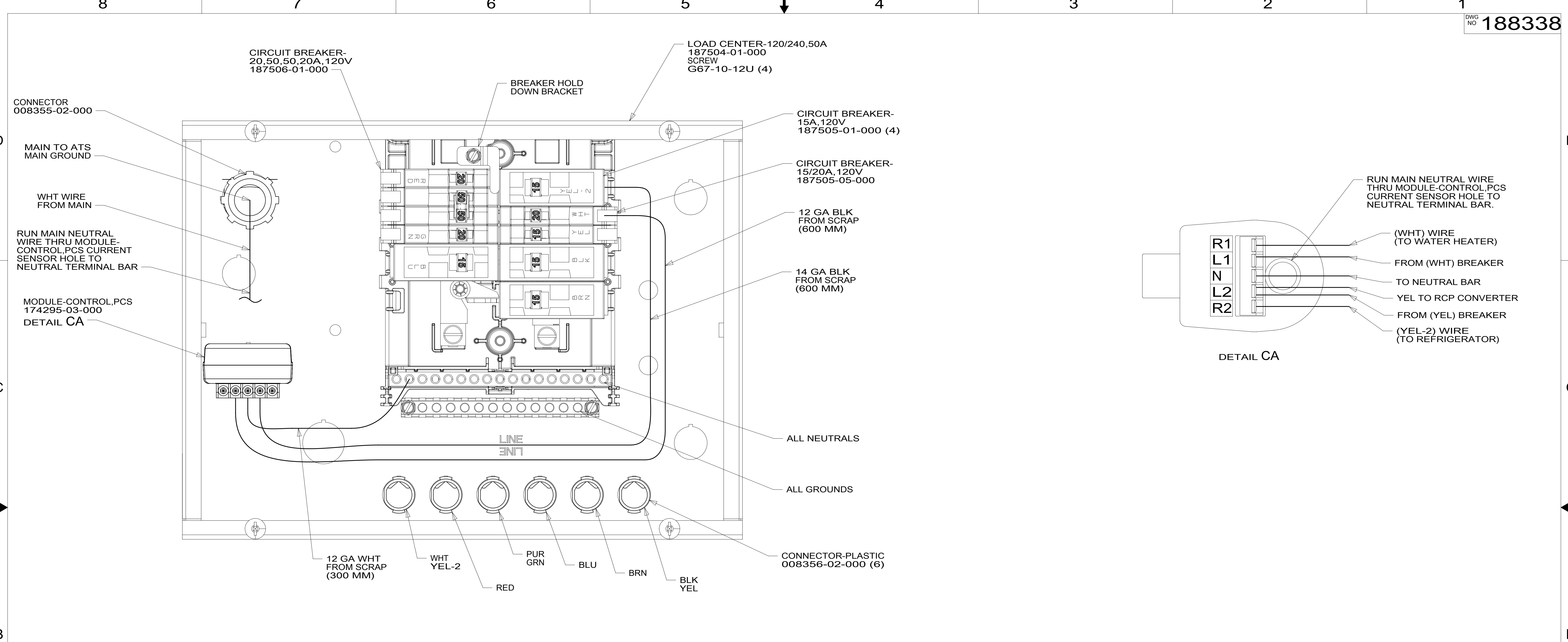
17-Nov-2015

FOR ELECTRICAL TORQUE SPECIFICATIONS SEE DWG NO. 128783-01-000

FOR ELECTRICAL CALLOUTS SEE DWG NO. 121339-01-000

- NOTES:
- 1. ALL GROUND WIRES TO BE COVERED WITH TUBING 8041-02-000.
 - 2. REMOVE 400MM FROM OUTER JACKET ON ALL WIRES ENTERING LOAD CENTER AND TRIM INDIVIDUAL CONDUCTORS AS REQUIRED TO MAKE INTERNAL CONNECTIONS
 - 3. BLACKEN OUT ENG HTR.
 - 4. BLACKEN OUT FIREPLACE.

*188338



- NOTES:
- 8 INSTALLED BY ASSEMBLY LINE.
 - 7 BLACKEN OUT "WASHER", "DRYER", "GENERAL RECPS", AND "FIREPLACE" WITH BLACK MARKER.
 - 6. ATTACH WIRES TO BACKSIDE OF LOAD CENTER, USE EXISTING HOLES AND TIE-WIRE 116673-01-000.
 - 5. REMOVE 400MM FROM OUTER JACKET ON ALL WIRES ENTERING LOAD CENTER AND TRIM INDIVIDUAL CONDUCTORS AS REQUIRED TO MAKE INTERNAL CONNECTIONS
 - 4. ALL 110V STRANDED WIRE W/O TERMINALS TO BE STRIPPED 10MM AND SOLDER DIPPED.
 - 3. ALL WIRES TO BE CLAMPED WITHIN 200MM OF ATS.
 - 2. GROUND WIRES ARE NOT SHOWN FOR CLARITY.
 - 1. ALL GROUND WIRES TO BE COVERED WITH TUBING 8041-02-000.

- 078 ALL WEATHER UPGRADE PACKAGE
- 78J ELECTRICAL SYSTEM-50 AMP
- 265 CODES/STANDARDS-CSA/CMVSS
- 1B1 CODES/STANDARDS USA

1B1	265	78J
FIRST USED		
15 E-SERIES		
DO NOT SCALE DRAWING		
TITLE: LOAD CENTER/ATS ASM		
SHEET 9	PART NO 188338	REV

FOR ELECTRICAL TORQUE SPECIFICATIONS SEE DWG NO. 128783-01-000

X-X FOR ELECTRICAL CALLOUTS SEE DWG NO. 121339-01-000

E30T WITH 078

188338