



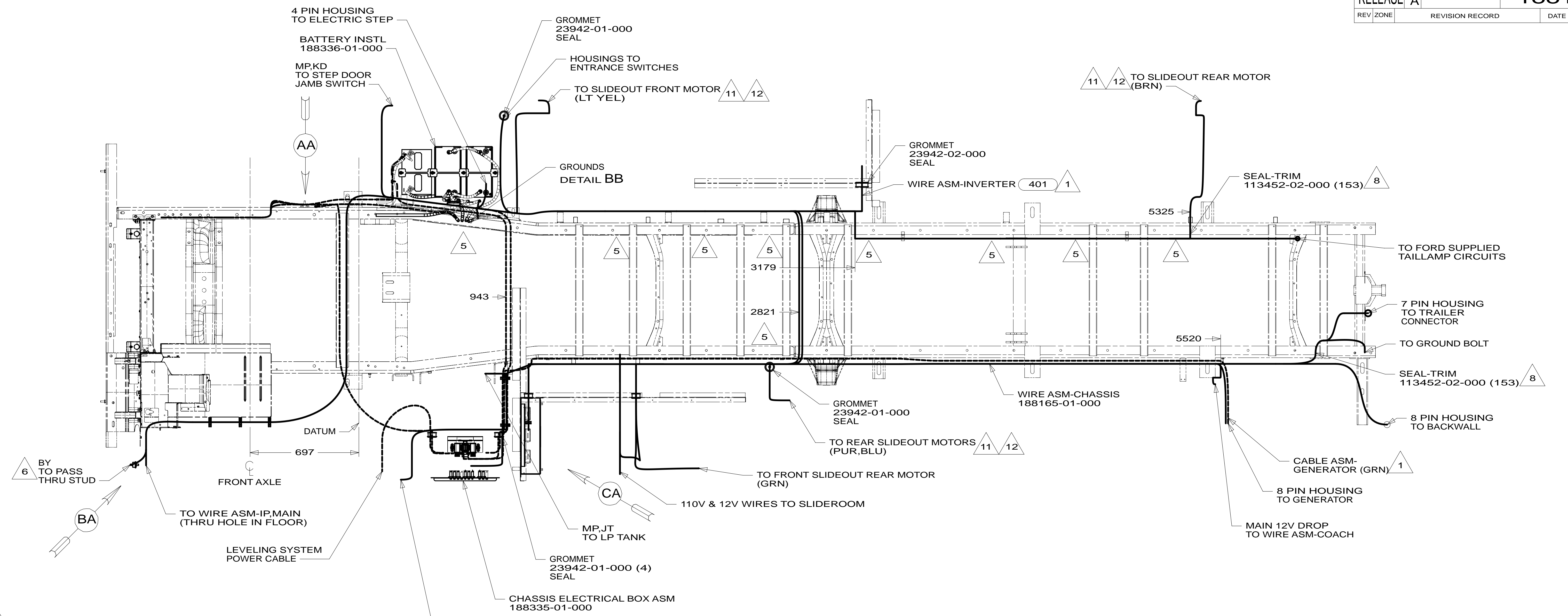
DANGER

Danger of electrical shock, burns or death. Always remove all power sources before attempting any repair, service or diagnostic work. Power can be present from shore power, generator, inverter or battery. All power sources must be disabled and secured before performing any service.

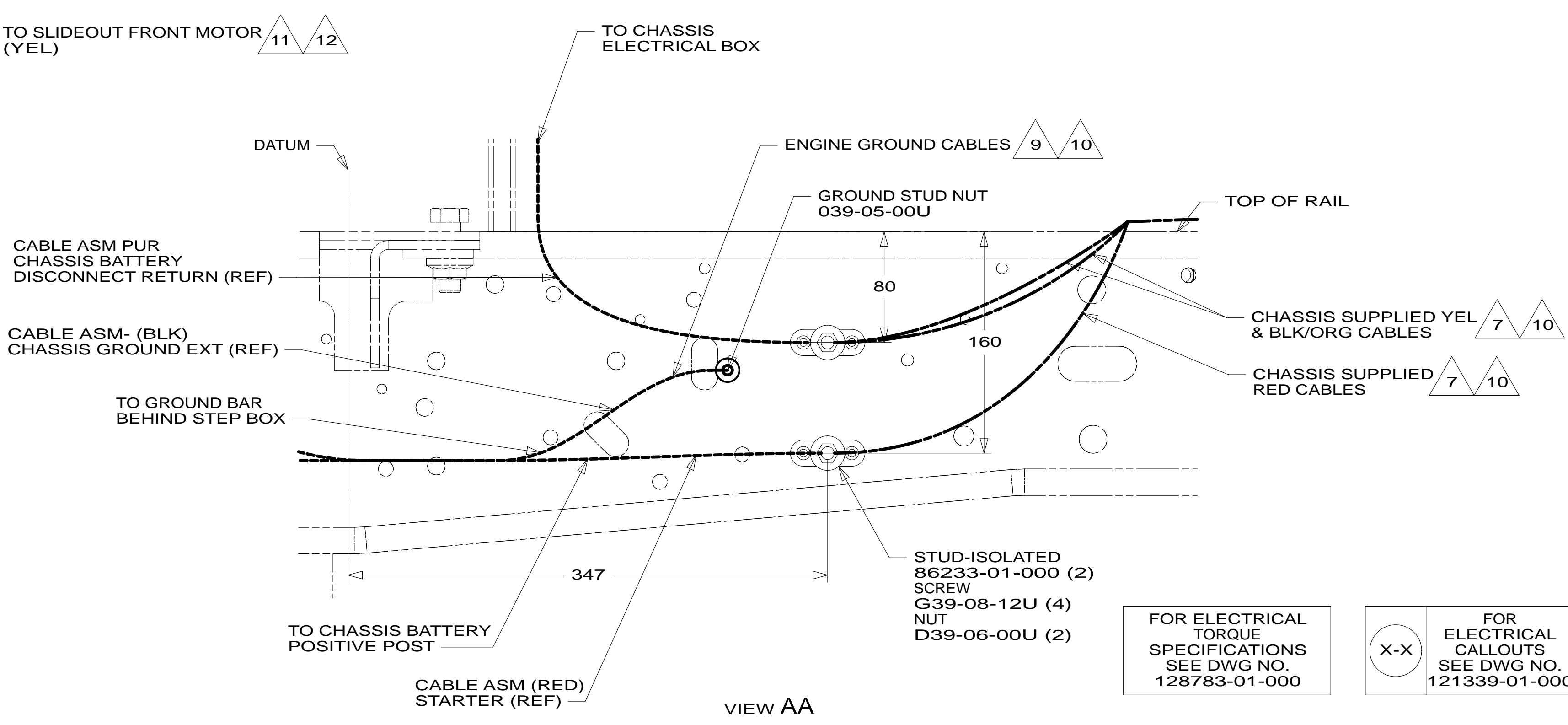


CAUTION

If you lack the skills, tools or equipment to perform diagnostic or repair work leave such work to an authorized Winnebago Industries dealer or other qualified shop.



- 12 WIRE ROUTES THROUGH FLOOR IN THIS AREA.
- 11 COIL WIRE AND LEAVE IN COMPARTMENT FOR TRANSPORTATION PURPOSES.
- 10 SUPPLIED WITH CHASSIS
- 9 CUT CHASSIS SUPPLIED BATTERY CABLE 700MM FROM BATTERY TERMINAL AND ADD TERMINAL 8348-01-000 TO CUT END.
- 8 COVER SHARP EDGES WHERE WIRE CROSSES FRAME RAILS.
- 7 CUT CHASSIS SUPPLIED POSITIVE BATTERY CABLE 150MM FROM BATTERY TERMINAL END, DISCARD TERMINAL END AND SEPARATE WIRES. ADD TERMINAL 8348-01-000 AND HEAT SHRINK 176567-04-000 TO RED CABLE (CHASSIS STARTER) AND COMBINE YELLOW (CHASSIS POWER SISTRIBUTION) AND BLACK/ORANGE (CHASSIS ALTERNATOR) WIRES TOGETHER AND ADD TERMINAL 8348-01-000 AND HEAT SHRINK 176567-02-000. COIL EXCESS CABLE ALONG FRAME RAIL JUST BEHIND RADIATOR AND TIE UP WITH TIE-WIRE 8343-04-000.
- 6 SEE WIRING INSTL-FRONT END FOR ADDITIONAL INFORMATION.
- 5 CLAMP 83610-01-000, SCREW G11-10-16B.
- 4. WIRE TIE 8343-04-000. FASTEN EVERY 600MM MINIMUM.
- 3. ALL DIMENSIONS ARE FROM DATUM UNLESS OTHERWISE SPECIFIED.
- 2. SECURE CONDUIT 41953, TAB AS REQUIRED, OVER ALL WIRES IN CONTACT WITH SHARP EDGES.
- 1 SEE BATTERY INSTL FOR ADDITIONAL INFORMATION.



- 401 INVERTER-DC/AC, 1000 WATT
- 265 CODES/STANDARDS-CSA/CMVSS
- 1B1 CODES/STANDARDS USA
- 1B1 265

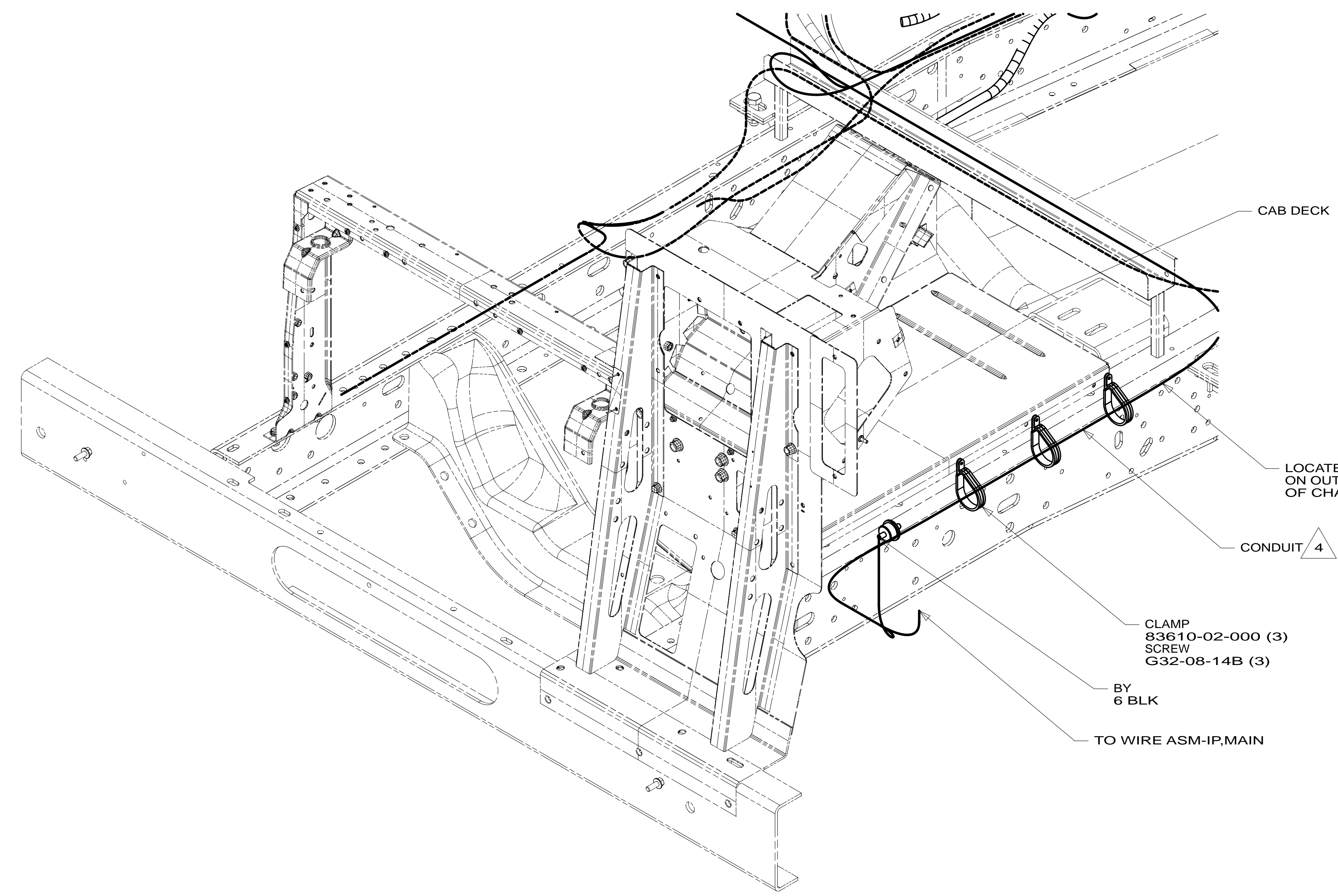
WINNEBAGO COPYRIGHT 2014 WINNEBAGO INDUSTRIES, INC.

DFTR	ORIG. DATE
CHKR	ALL DIMENSIONS ARE IN MILLIMETERS
P.E.	FIRST USED
M.E.	15 E27N
DSNR	MATERIAL:
UNSPECIFIED TOLERANCES ARE:	
WHOLE DIM (X)	: 3
ONE-PLACE (X.X)	: 1.5
TWO-PLACE (X.XX)	: 0.50
ANGLE	: 1°
THIRD ANGLE PROJECTION	
DO NOT SCALE DRAWING	REFER TO ES0018 FOR FASTENER TIGHTENING GUIDELINES
TITLE: WIRING INSTL-CHASSIS	
SHEET 1 OF 3	PART NO 188162 REV
REF: 1	03-Jan-2014

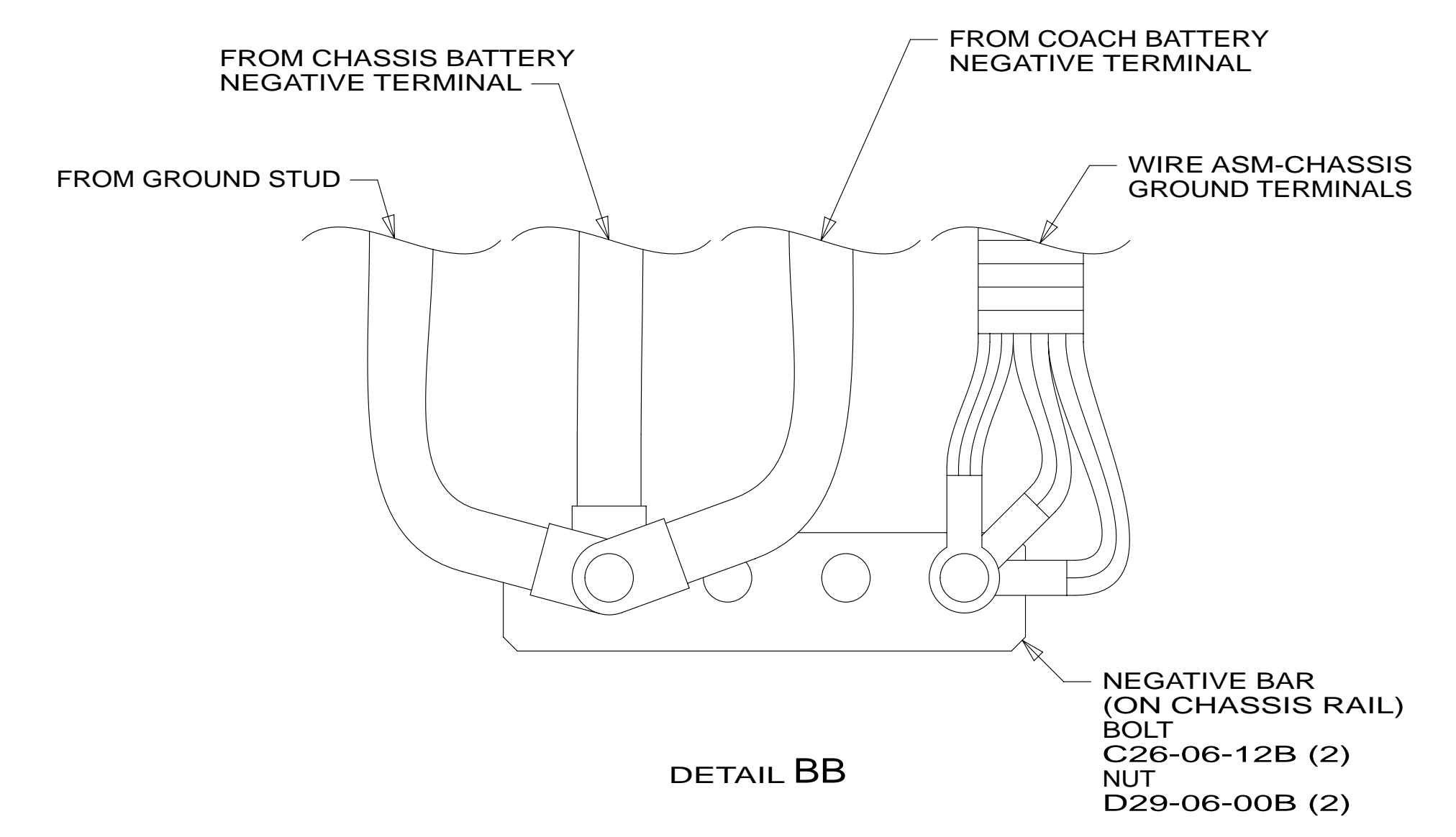
FOR ELECTRICAL TORQUE SPECIFICATIONS SEE DWG NO. 128783-01-000

X-X FOR ELECTRICAL CALLOUTS SEE DWG NO. 121339-01-000

* 188162 *



VIEW BA



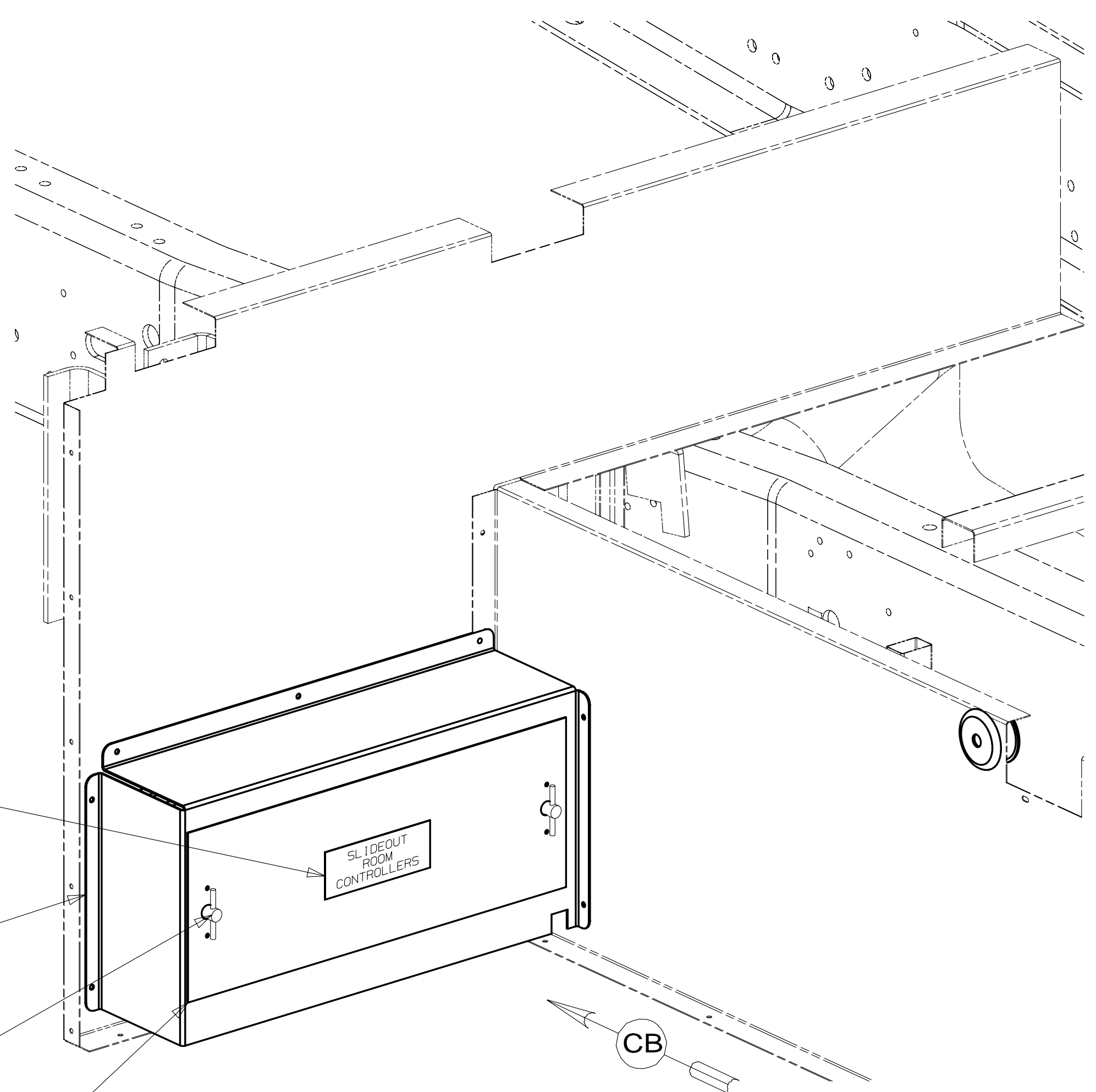
- NOTES:
- 4 COVER WITH CONDUIT 41953-10-000 AND 41953-11-000 AS REQUIRED.
 - 3. CONNECT CABLES TO COACH SIDE OF BATTERY DISCONNECT WHEN BATTERY DISCONNECT IS USED.
 - 2. ALL GROUND WIRE TO BE COVERED WITH TUBING 8041-02-000.
 - 1. CUT OFF EXCESS END OF WIRE TIE.

FOR ELECTRICAL TORQUE SPECIFICATIONS SEE DWG NO. 128783-01-000

FOR ELECTRICAL CALLOUTS SEE DWG NO. 121339-01-000

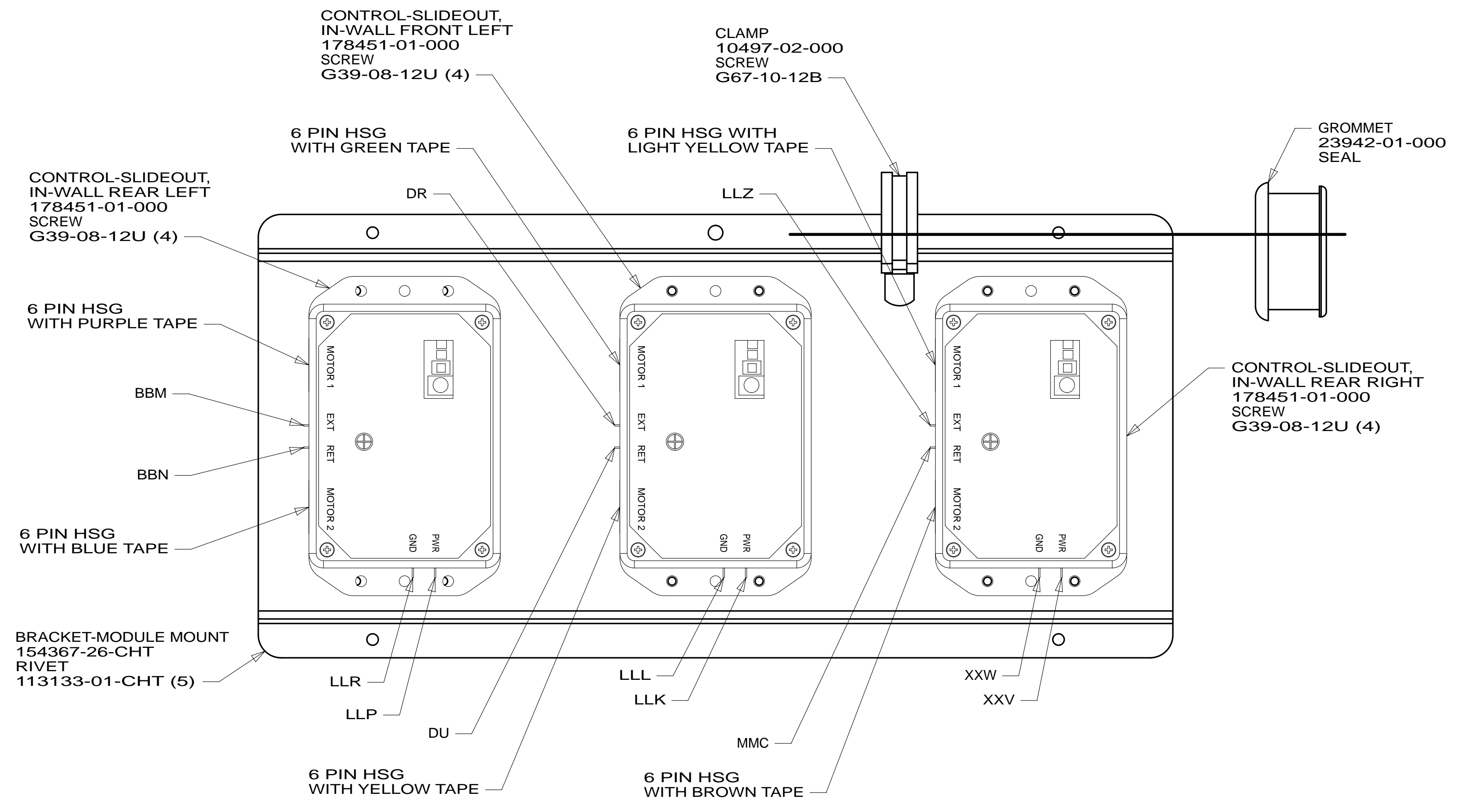
265 CODES/STANDARDS-CSA/CMVSS
 1B1 CODES/STANDARDS USA

1B1	265
FIRST USED	
15 E27N	
DO NOT SCALE DRAWING	
TITLE: WIRING INSTL-CHASSIS	
SHEET 2	PART NO 188162 REV



- LABEL
98379-09-000
- PANEL-COMPARTMENT
170153-04-CHT
SCREW
G39-08-08U (6)
- LATCH
98196-01-000 (2)
RIVET
H15-04-02R (4)
- DOOR-ELECTRICAL BOX
142145-01-CHT
SEAL
092492-11-000

VIEW CA



- CONTROL-SLIDEOUT,
IN-WALL REAR LEFT
178451-01-000
SCREW
G39-08-12U (4)
- 6 PIN HSG
WITH PURPLE TAPE
- BBM
- BBN
- 6 PIN HSG
WITH BLUE TAPE
- BRACKET-MODULE MOUNT
154367-26-CHT
RIVET
113133-01-CHT (5)
- LLR
- LLP
- 6 PIN HSG
WITH YELLOW TAPE

- CONTROL-SLIDEOUT,
IN-WALL FRONT LEFT
178451-01-000
SCREW
G39-08-12U (4)
- 6 PIN HSG
WITH GREEN TAPE
- DR
- 6 PIN HSG
WITH LIGHT YELLOW TAPE
- LLZ
- CLAMP
10497-02-000
SCREW
G67-10-12B
- GROMMET
23942-01-000
SEAL
- CONTROL-SLIDEOUT,
IN-WALL REAR RIGHT
178451-01-000
SCREW
G39-08-12U (4)
- MOTOR 1
EXT RET
MOTOR 2
GND PWR
- LLK
- LLM
- LLN
- LLP
- LLQ
- LLR
- LLS
- LLT
- LLU
- LLV
- LLW
- LLX
- LLY
- LLZ
- MMC
- XXW
- XXV
- 6 PIN HSG
WITH BROWN TAPE

VIEW CB

265 CODES/STANDARDS-CSA/CMVSS
1B1 CODES/STANDARDS USA

1B1 265

FIRST USED	15 E27N	
TITLE:	DO NOT SCALE DRAWING	
	WIRING INSTL-CHASSIS	
SHEET 3	PART NO 188162	REV

FOR ELECTRICAL
TORQUE
SPECIFICATIONS
SEE DWG NO.
128783-01-000

X-X
FOR
ELECTRICAL
CALLOUTS
SEE DWG NO.
121339-01-000

* 188162 * A