



DANGER

Danger of electrical shock, burns or death. Always remove all power sources before attempting any repair, service or diagnostic work. Power can be present from shore power, generator, inverter or battery. All power sources must be disabled and secured before performing any service.

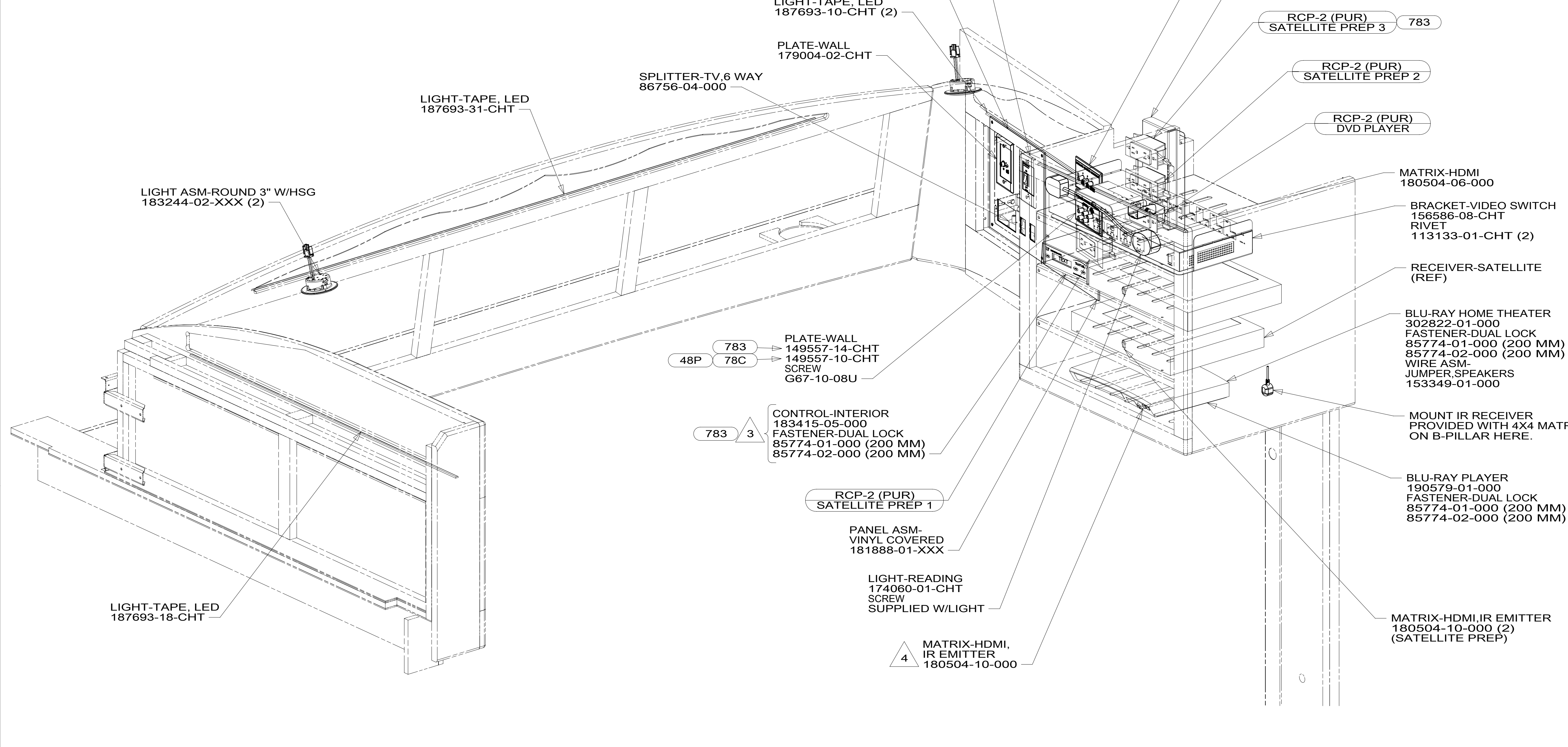


CAUTION

If you lack the skills, tools or equipment to perform diagnostic or repair work leave such work to an authorized Winnebago Industries dealer or other qualified shop.

DRAWING NO.	SHEETS	MODEL
187916-01	1,2,3,7	R42QD/QL
187916-02	4,5,6,7	R42GD
187916-03	1,7,8,9	R42HD/HL

RELEASE	REV/DATE	DWG NO	187916
REV ZONE	REVISION RECORD	DATE	DFT-ORIG



25M 2

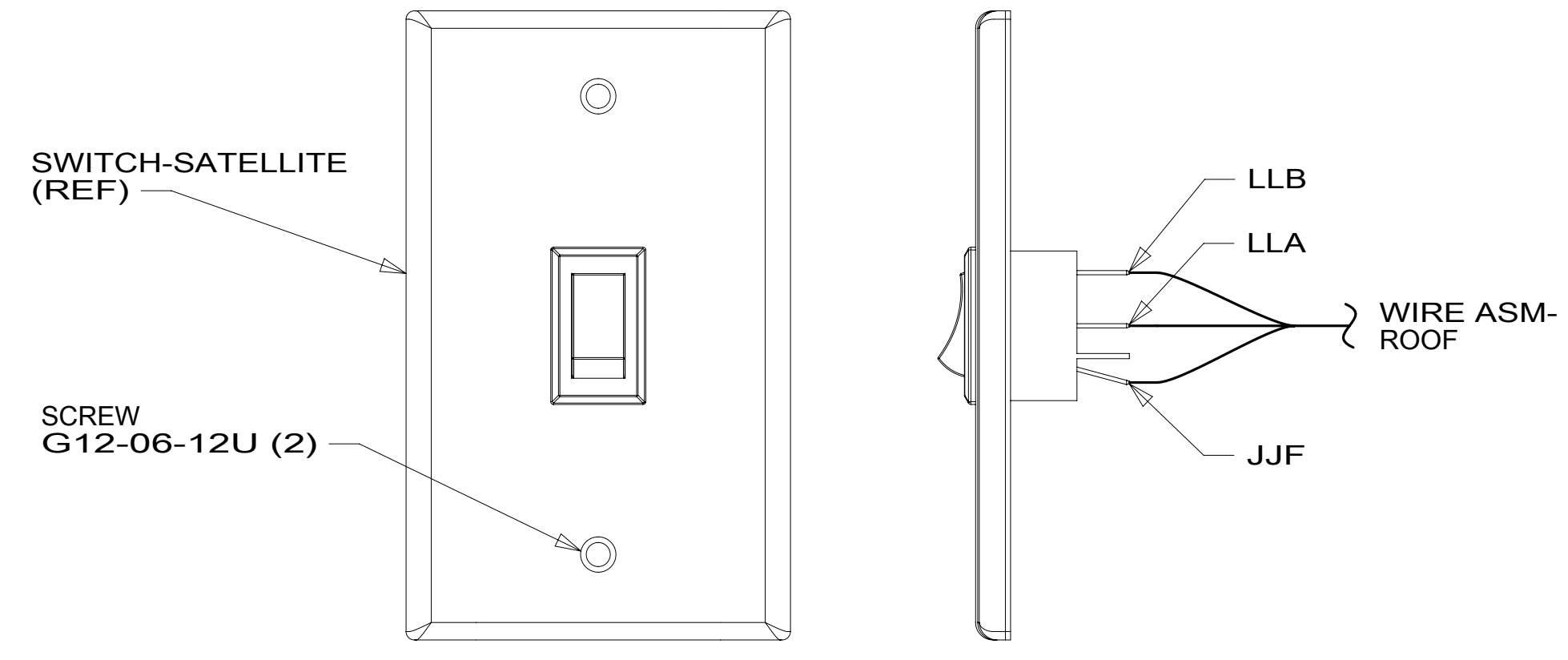
25Y OR 25N 2 4

- 25Y HOMETHEATER SOUNDBAR SYS-PRM
- 25N HOME THEATER SOUNDBAR SYSTEM
- 783 SATELLITE HD TV SYSTEM AUTOC
- 25M HOME THEATER SYSTEM, BLU-RAY
- 78C SATELLITE SYSTEM READY
- 48P SAT TV SYSTEM IN-MOTION
- 265 CODES/STANDARDS-CSA/CMVSS
- 1B1 CODES/STANDARDS USA

1B1 265

WINNEBAGO COPYRIGHT 2014 WINNEBAGO INDUSTRIES, INC.

DFT-ORIG	ORIG. DATE
CHKR	ALL DIMENSIONS ARE IN MILLIMETERS
P.E.	
M.E.	FIRST USED
DSNR	15 R-SERIES
UNSPECIFIED TOLERANCES ARE:	
WHOLE DIM (X)	: 3
ONE-PLACE (X.X)	: 1.5
TWO-PLACE (X.XX)	: 0.50
ANGLE	: 1'
THIRD ANGLE PROJECTION	
DO NOT SCALE DRAWING	REFER TO ES0018 FOR FASTENER TIGHTENING GUIDELINES
TITLE: WIRING INSTL-TV/DVD	
SHEET 1 OF 9	PART NO 187916 REV

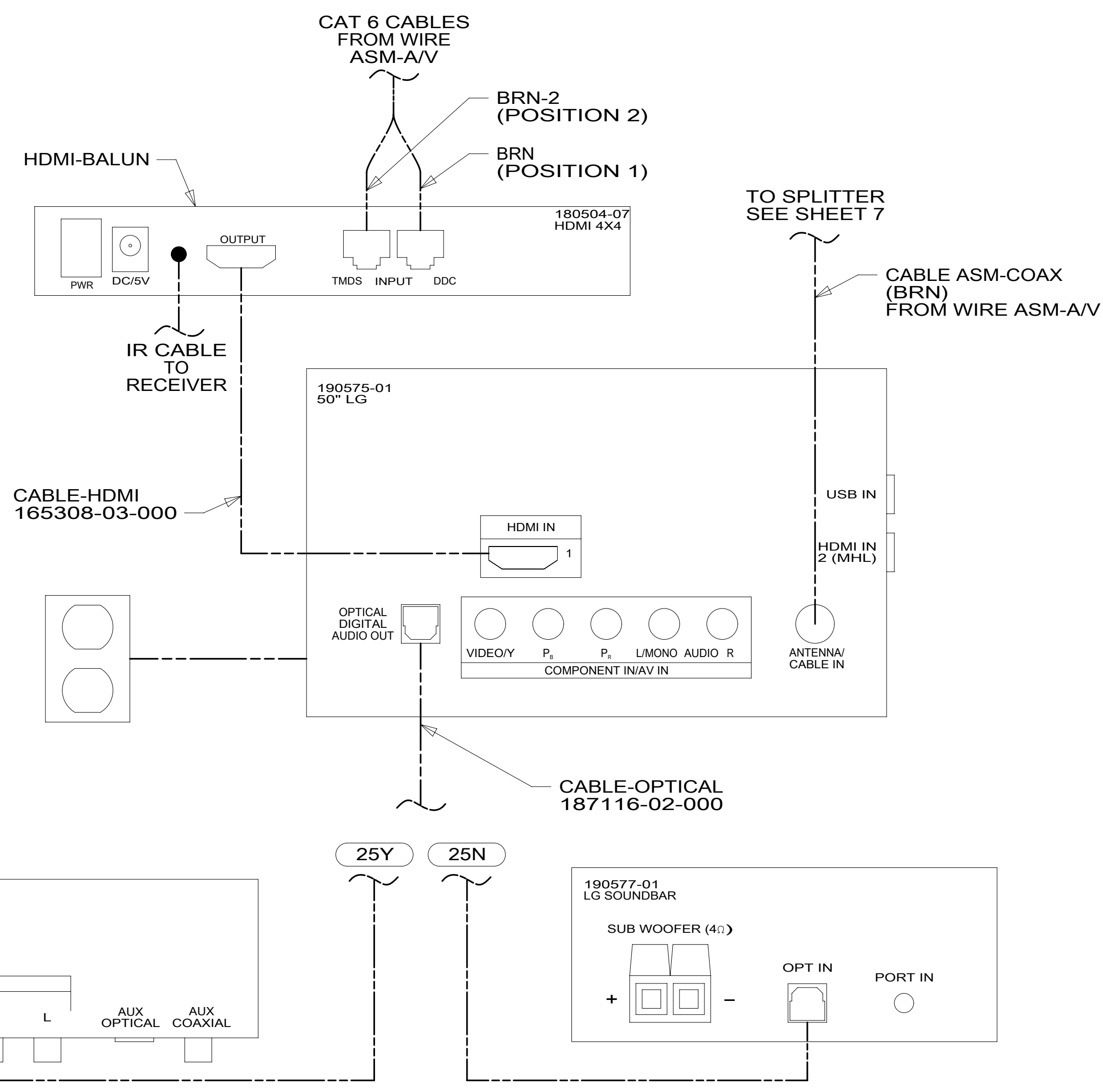


FOR ELECTRICAL TORQUE SPECIFICATIONS SEE DWG NO. 128783-01-000

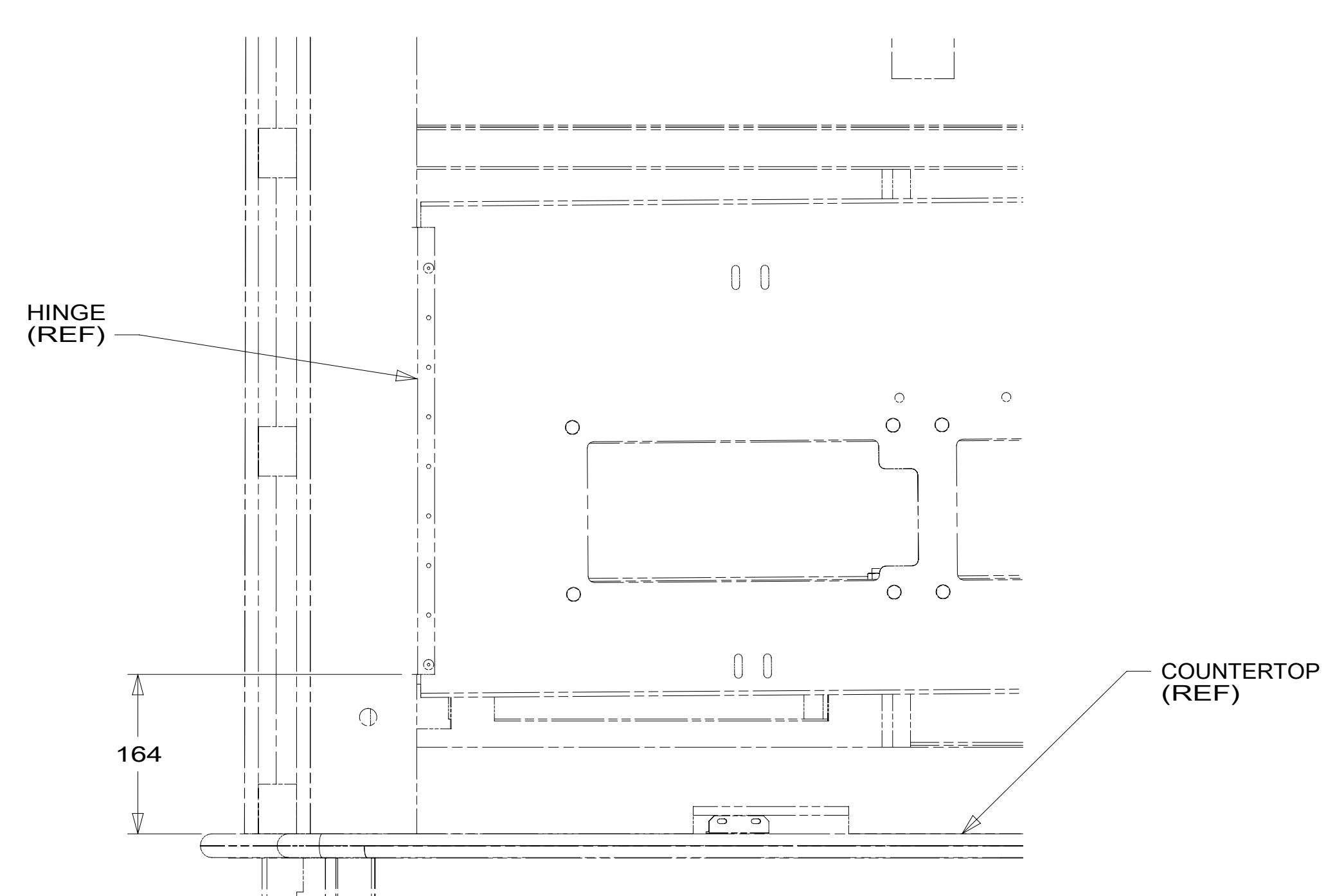
FOR ELECTRICAL CALLOUTS SEE DWG NO. 121339-01-000

- NOTES:
- 4 PLACE I.R.E. IN FRONT OF BLU-RAY PLAYER AS SHOWN.
 - 3 INTERIOR CONTROL CONNECTS TO SATELLITE DATA CABLE. SEE ROOF ASM FOR ADDITIONAL INFORMATION.
 - 2 SET BLU-RAY PLAYER TO A MAX VIDEO OUTPUT OF 1080I.
 - 1 SNAP ROPE LIGHT IN CHANNELS ON OVHD CABINETS.

187916



VIEW BA



VIEW BB

TV-50", FLAT
PANEL DLED, HDTV
190575-01-000
SCREW
OMG02U-06-020 (4)
SPACER-NYLON
086285-08-000 (4)

MATRIX-HDMI, BALUN
180504-07-000
BRACKET
180543-01-CHT
SCREW
076790-05-000 (2)

RCP-2 TV
(REF)

RCP-2 SOUNDBAR
(REF)

MATRIX-REC IN-WALL
180504-08-000

CLAMP
10497-10-000 (2)
SCREW
G11-08-08U (2)

25Y {
SPEAKER-SOUNDBAR W/SUB
189409-01-000
PLATE-W/HOLES
190634-03-CHT
SCREW
G11-08-12U (2)
OMG02U-05-010 (2)
25N {
SPEAKER-SOUNDBAR
W/SUB WIRED
190577-01-000
PLATE-W/HOLES
190634-01-CHT
SCREW
G11-08-12U (2)
OMG02U-04-010 (2)

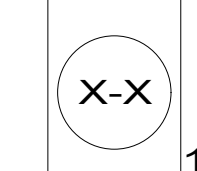
- 25Y HOMETHEATER SOUNDBAR SYS-PRM
- 25N HOME THEATER SOUNDBAR SYSTEM
- 265 CODES/STANDARDS-CSA/CMVSS
- 1B1 CODES/STANDARDS USA

1B1 265

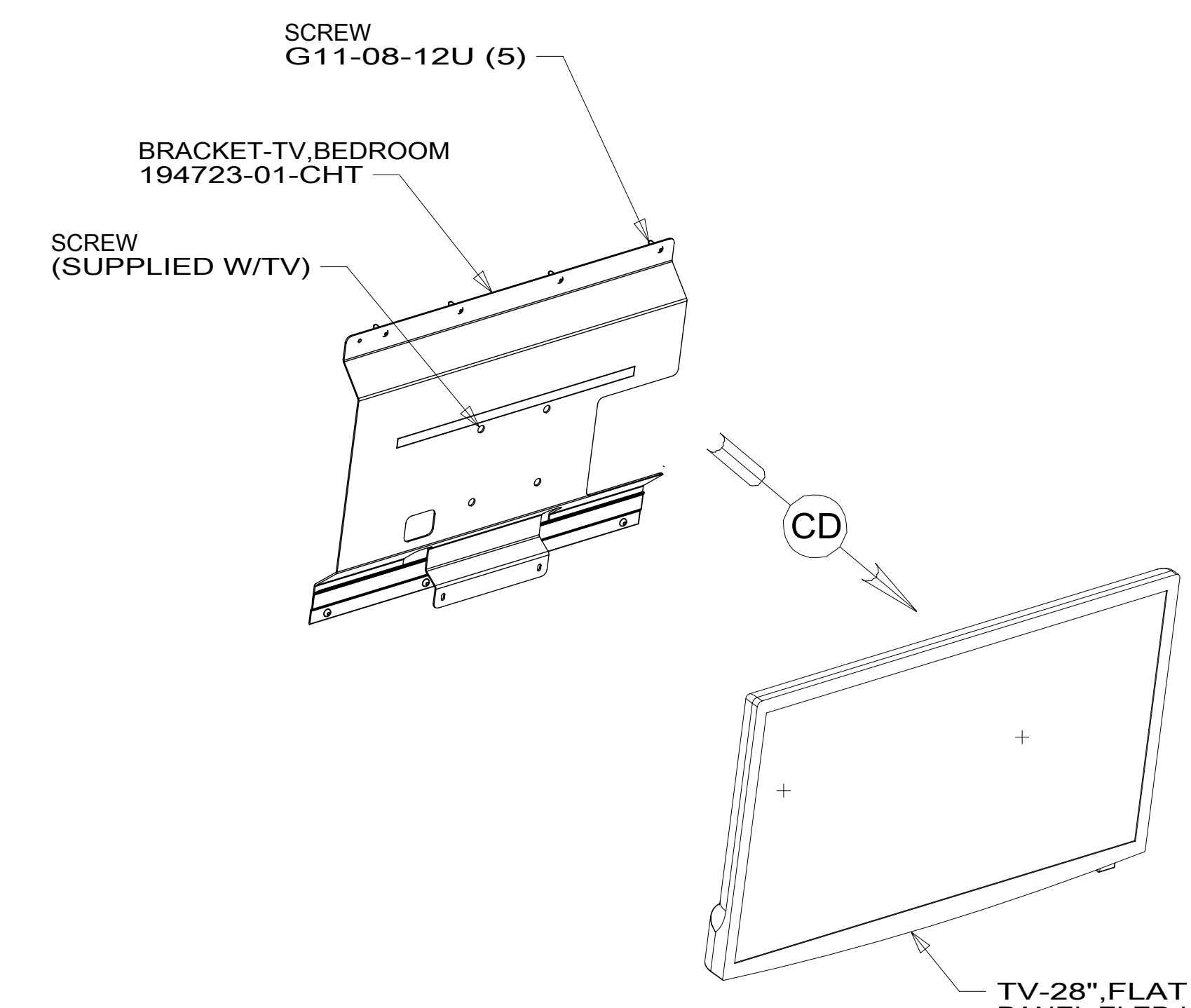
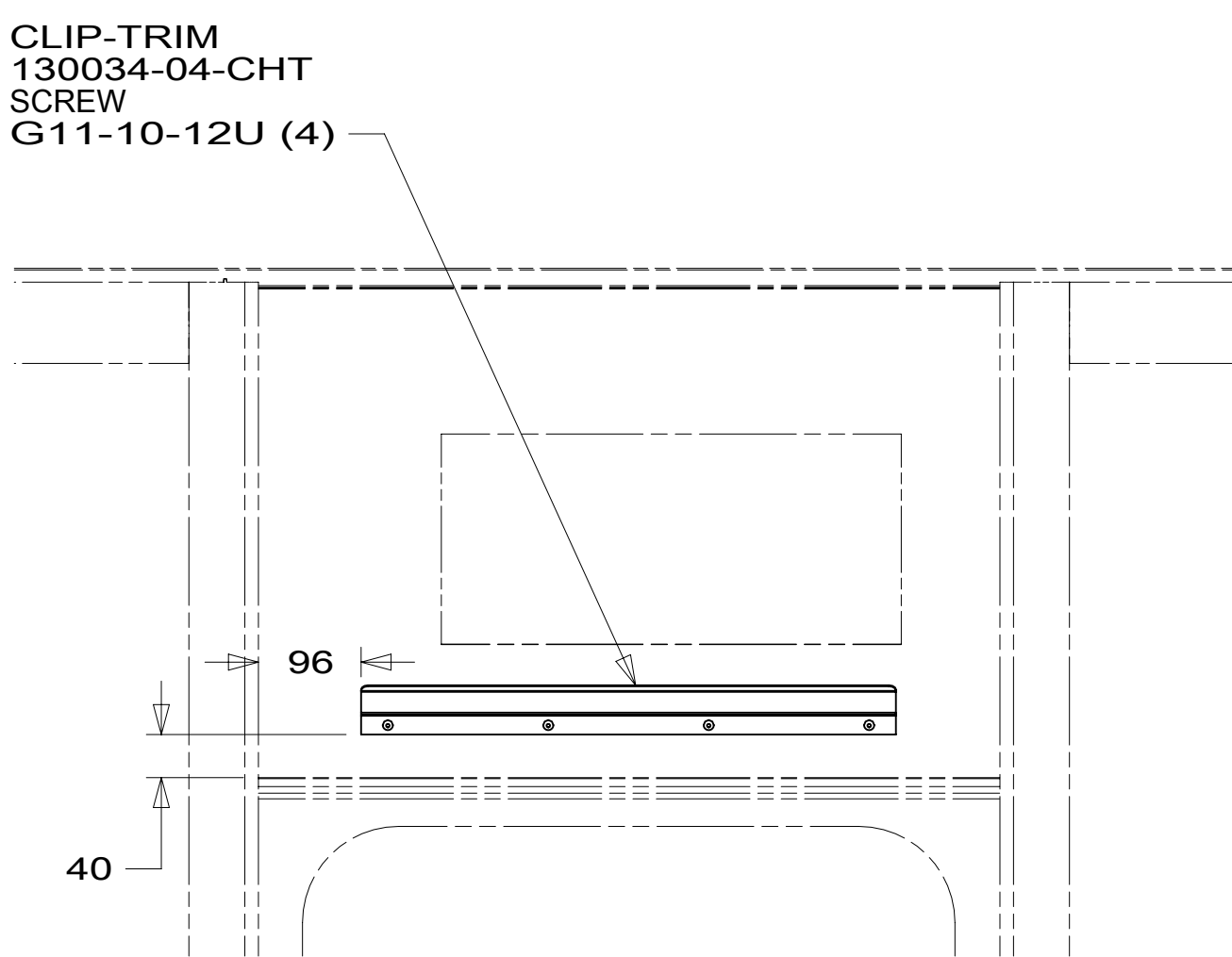
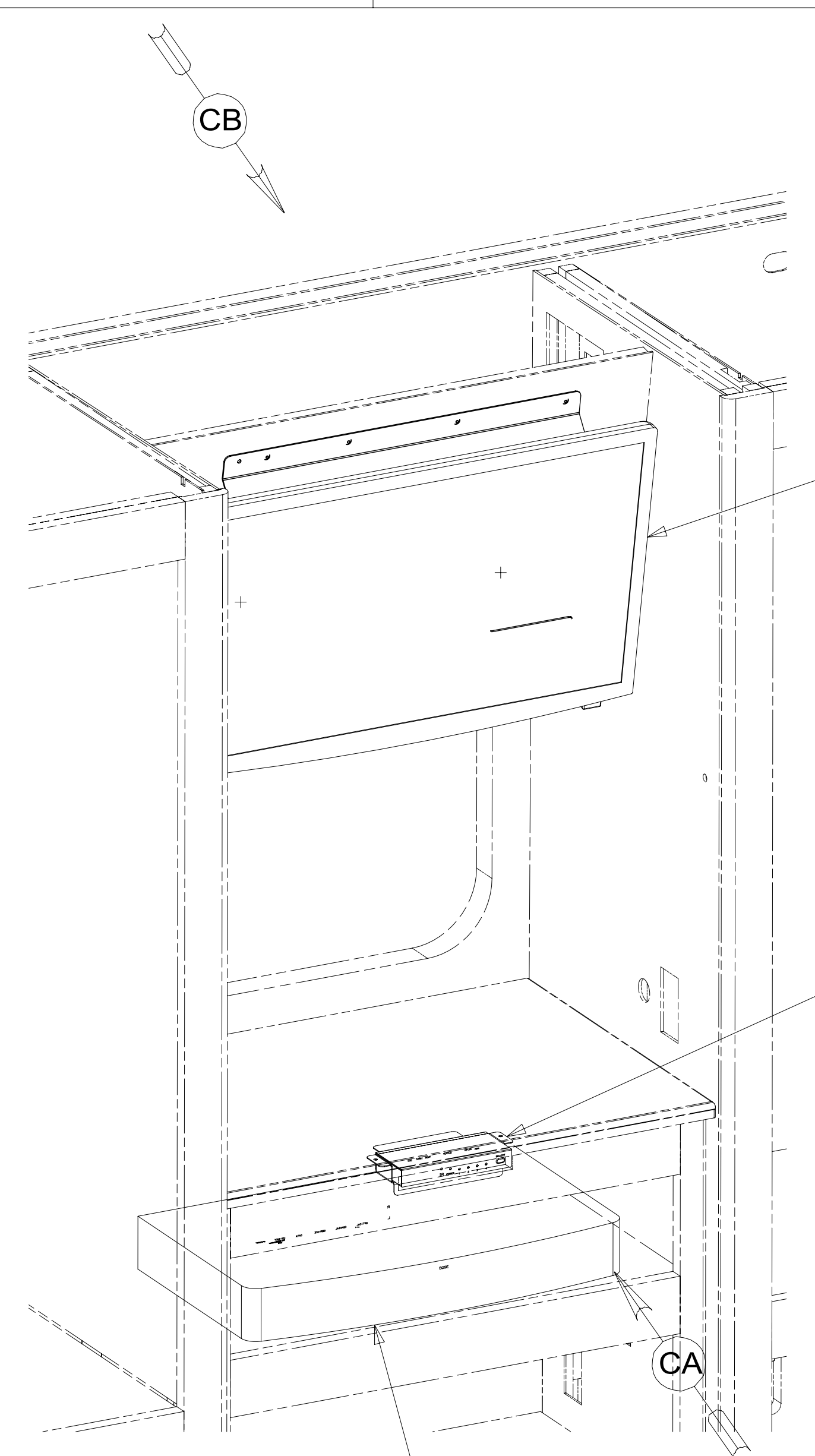
FIRST USED	
15 R-SERIES	
DO NOT SCALE DRAWING	
TITLE: WIRING INSTL-TV/DVD	
SHEET 2	PART NO 187916 REV
1 10-Nov-2015	

FOR ELECTRICAL
TORQUE
SPECIFICATIONS
SEE DWG NO.
128783-01-000

FOR
ELECTRICAL
CALLOUTS
SEE DWG NO.
121339-01-000



187916

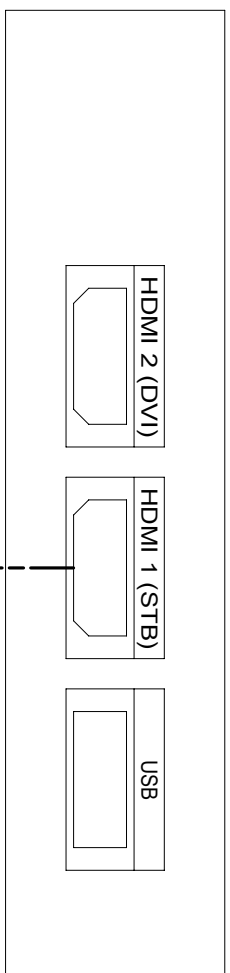
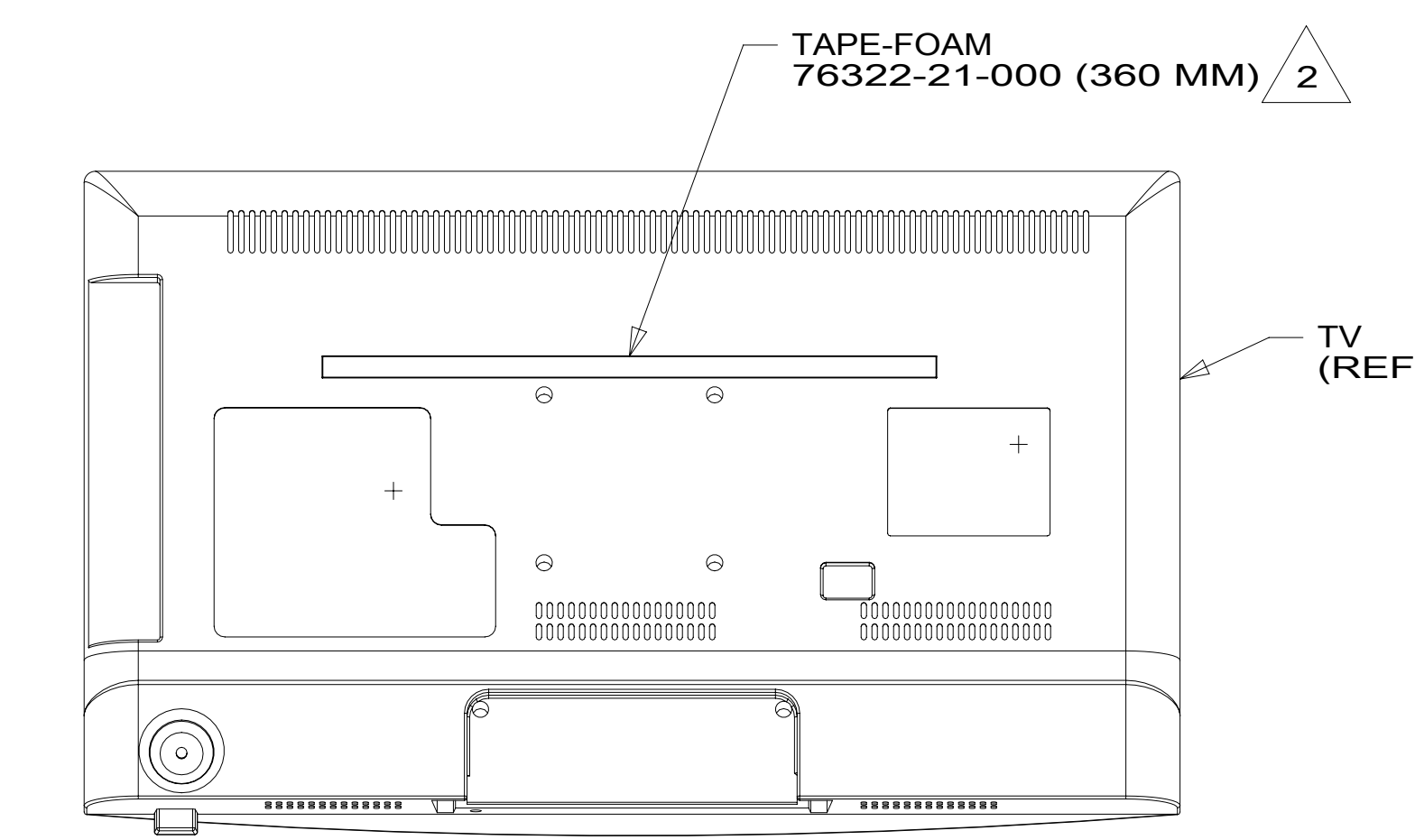
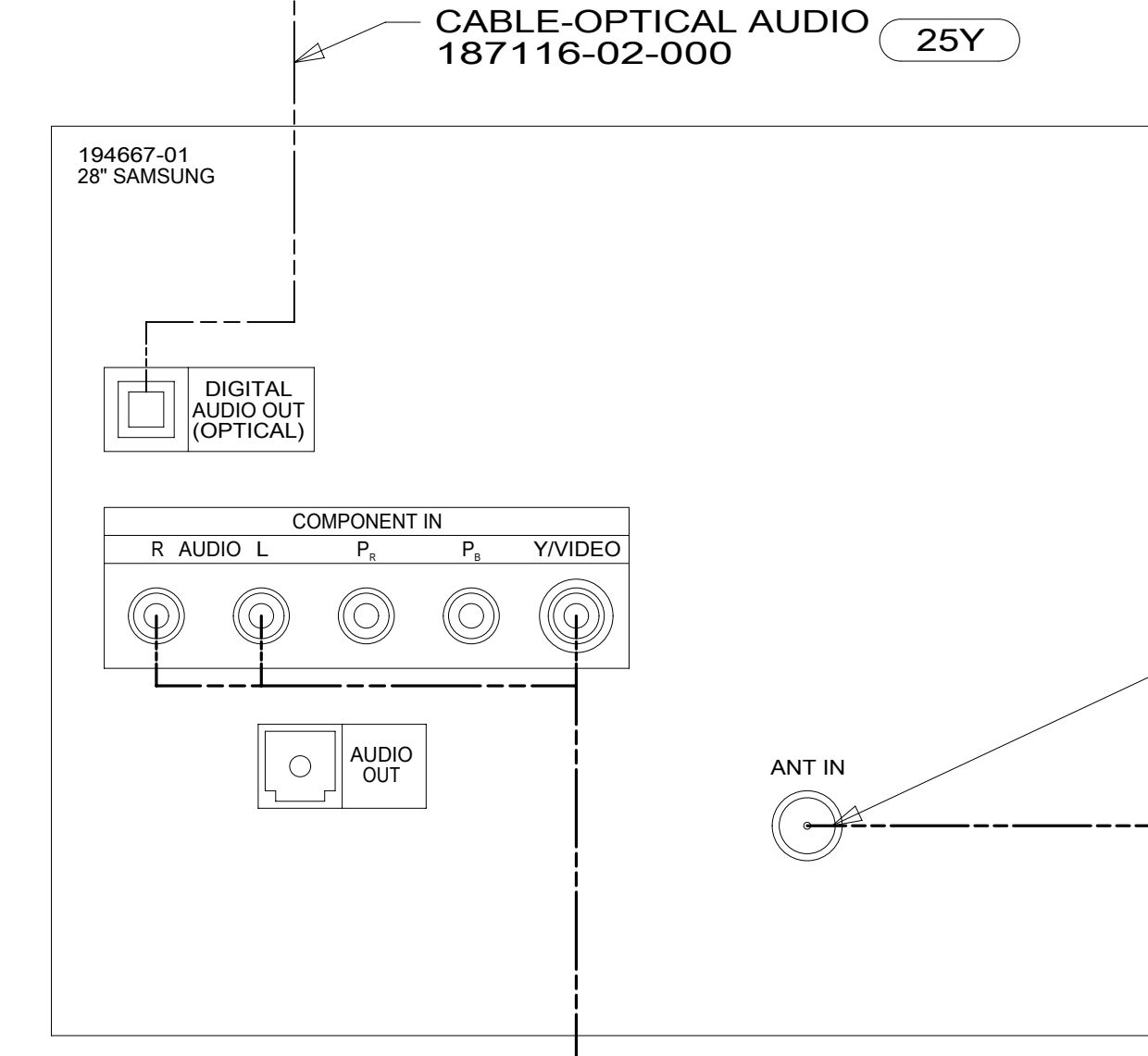
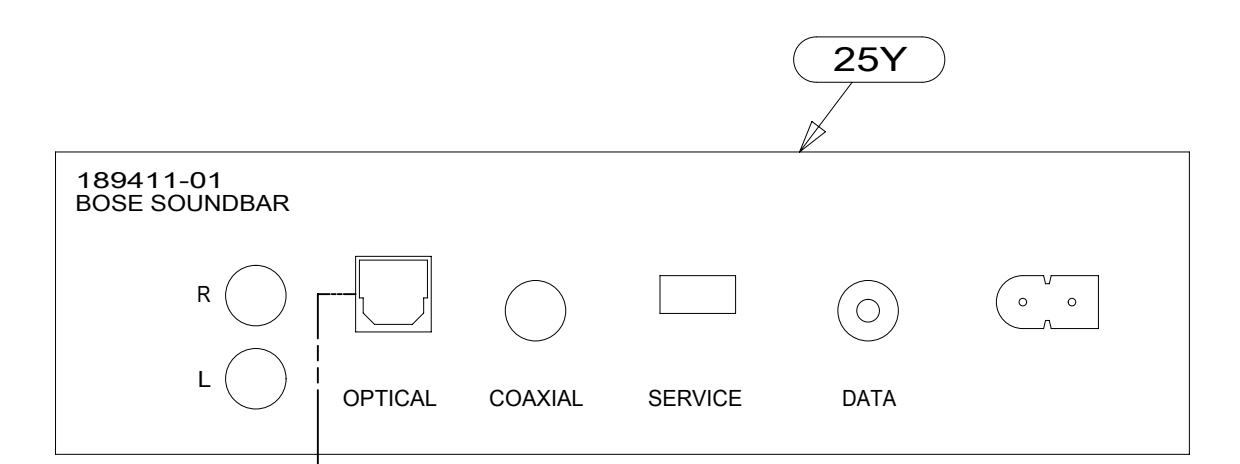
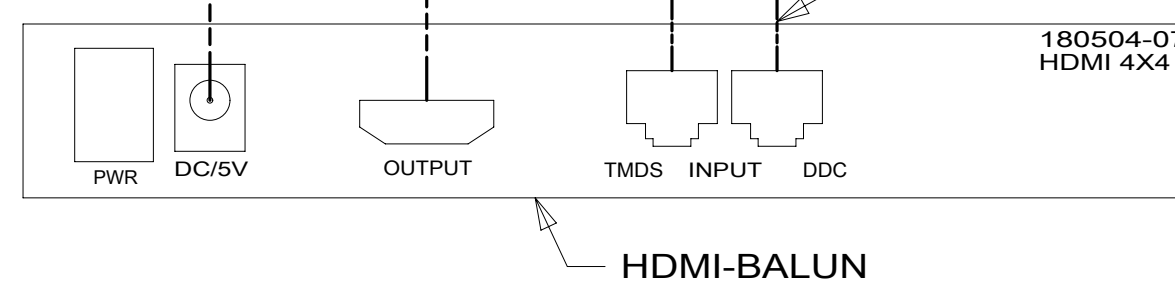


SPEAKER-SOUNDBAR
189411-01-000
FASTENER-DUAL
85774-01-000 (200 MM) (2)
FASTENER-DUAL
85774-02-000 (200 MM) (2)

MATRIX-HDMI, BALUN
180504-07-000
BRACKET-MOUNTING, RECEIVER
180543-02-CHT
SCREW
076790-05-000 (2)

HDMI CABLE TO HDMI BALUN
(CABLE IS PART OF WIRE ASM-SLIDEOUT)

CAT 6 CABLES
(CABLES ARE PART OF WIRE ASM-SLIDEOUT)



3-WAY RCA CABLE FROM SATELLITE PREP PLATE (PART OF WIRE ASM-SLIDEOUT)

CONNECTOR-F,90
176986-01-000

- 25Y HOMETHEATER SOUNDBAR SYS-PRM
- 265 CODES/STANDARDS-CSA/CMVSS
- 1B1 CODES/STANDARDS USA

2 CLEAN AND APPLY ADHESIVE PROMOTER 87211-01-000 TO BOTH SURFACES AND BOND WHERE TOP FLANGE OF BRACKET CONTACTS PLASTIC TV BEZEL.

1 SEE WIRING INSTL-BODY, 12V FOR ADDITIONAL INFORMATION.

NOTES:

FOR ELECTRICAL TORQUE SPECIFICATIONS SEE DWG NO. 128783-01-000

FOR ELECTRICAL CALLOUTS SEE DWG NO. 121339-01-000

FIRST USED

15 R-SERIES

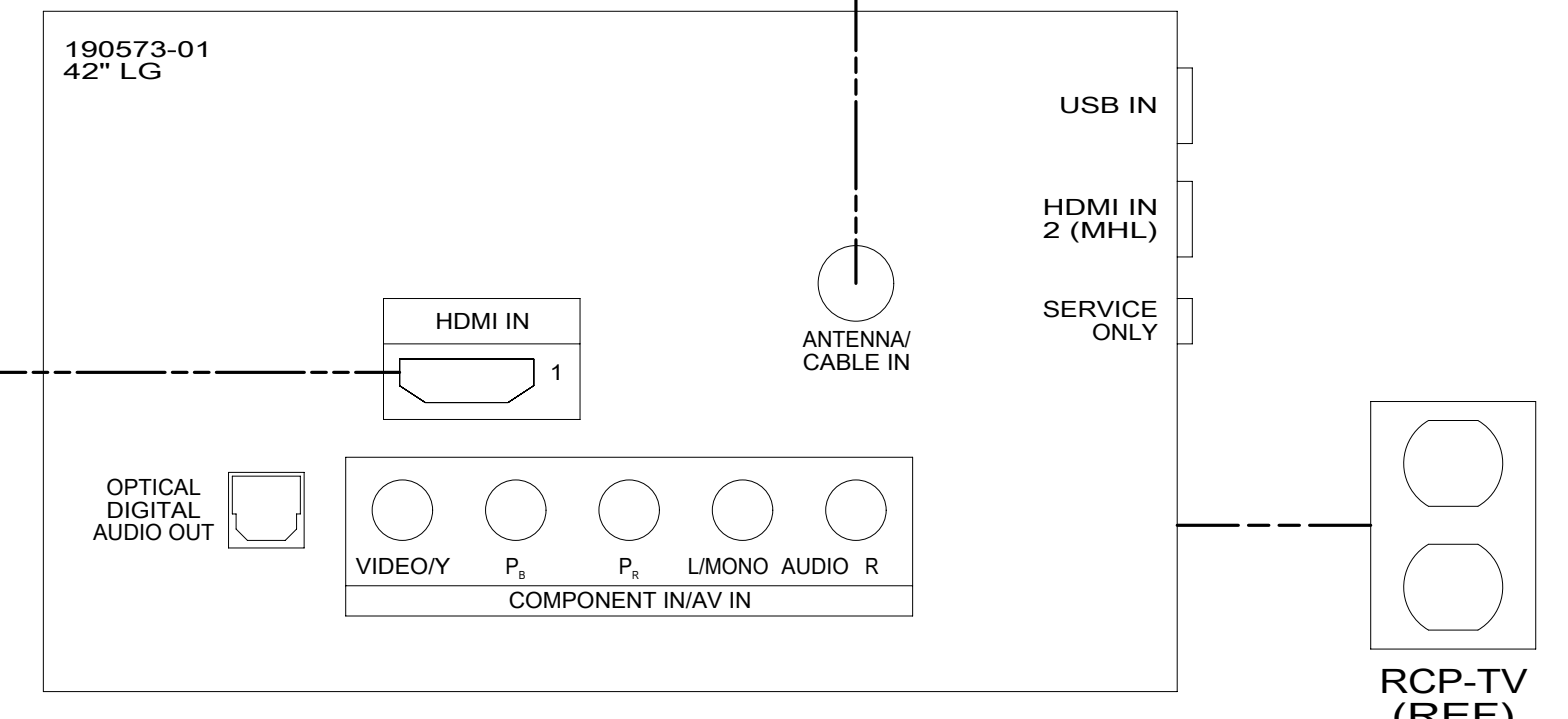
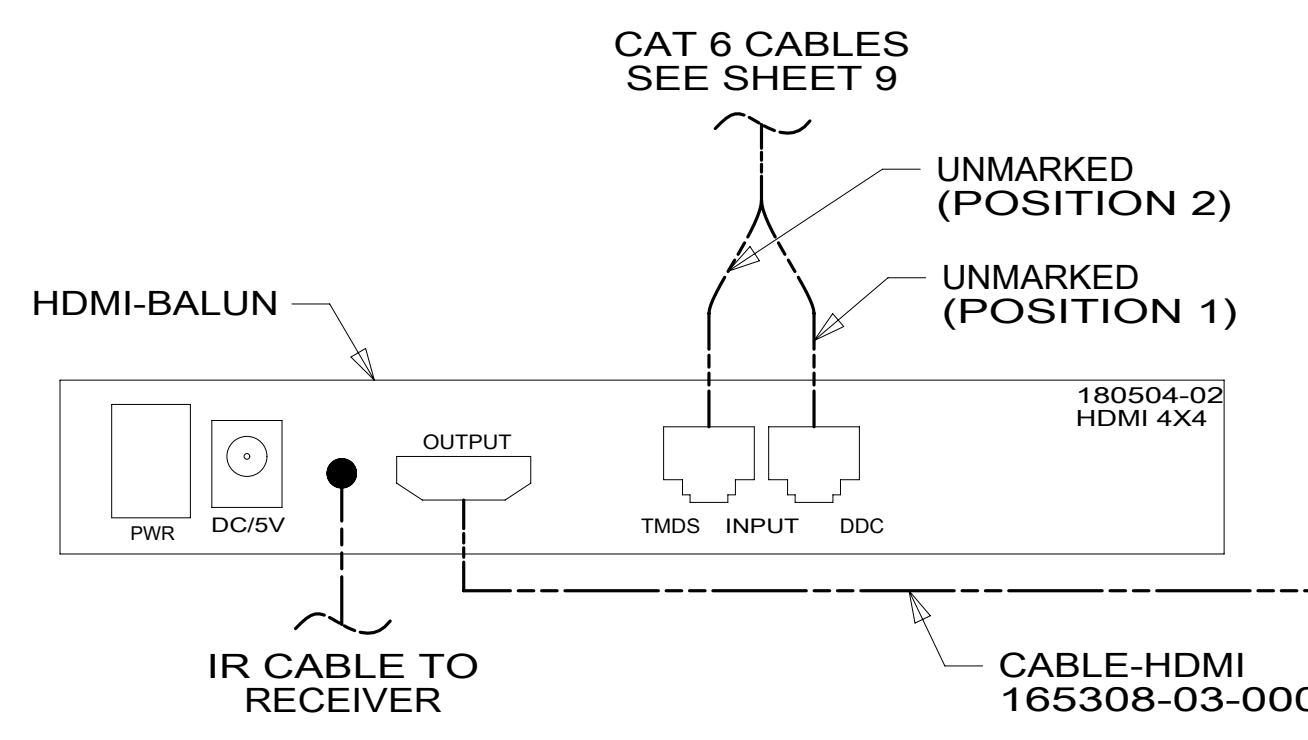
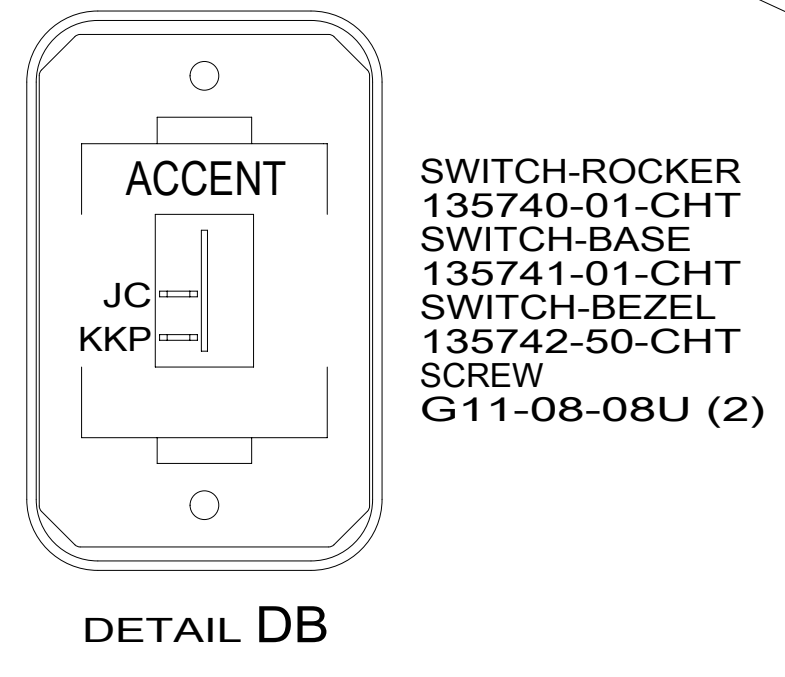
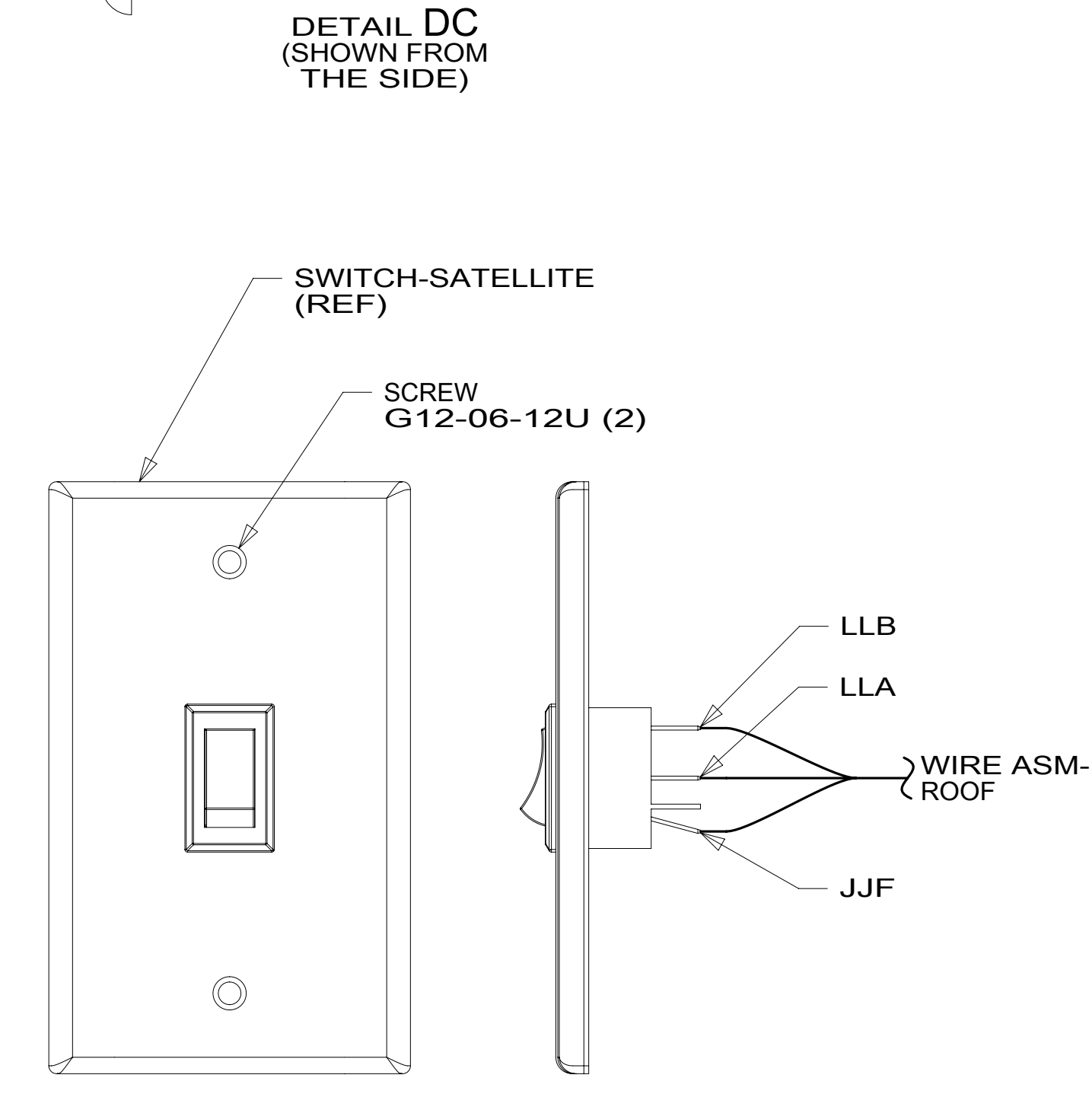
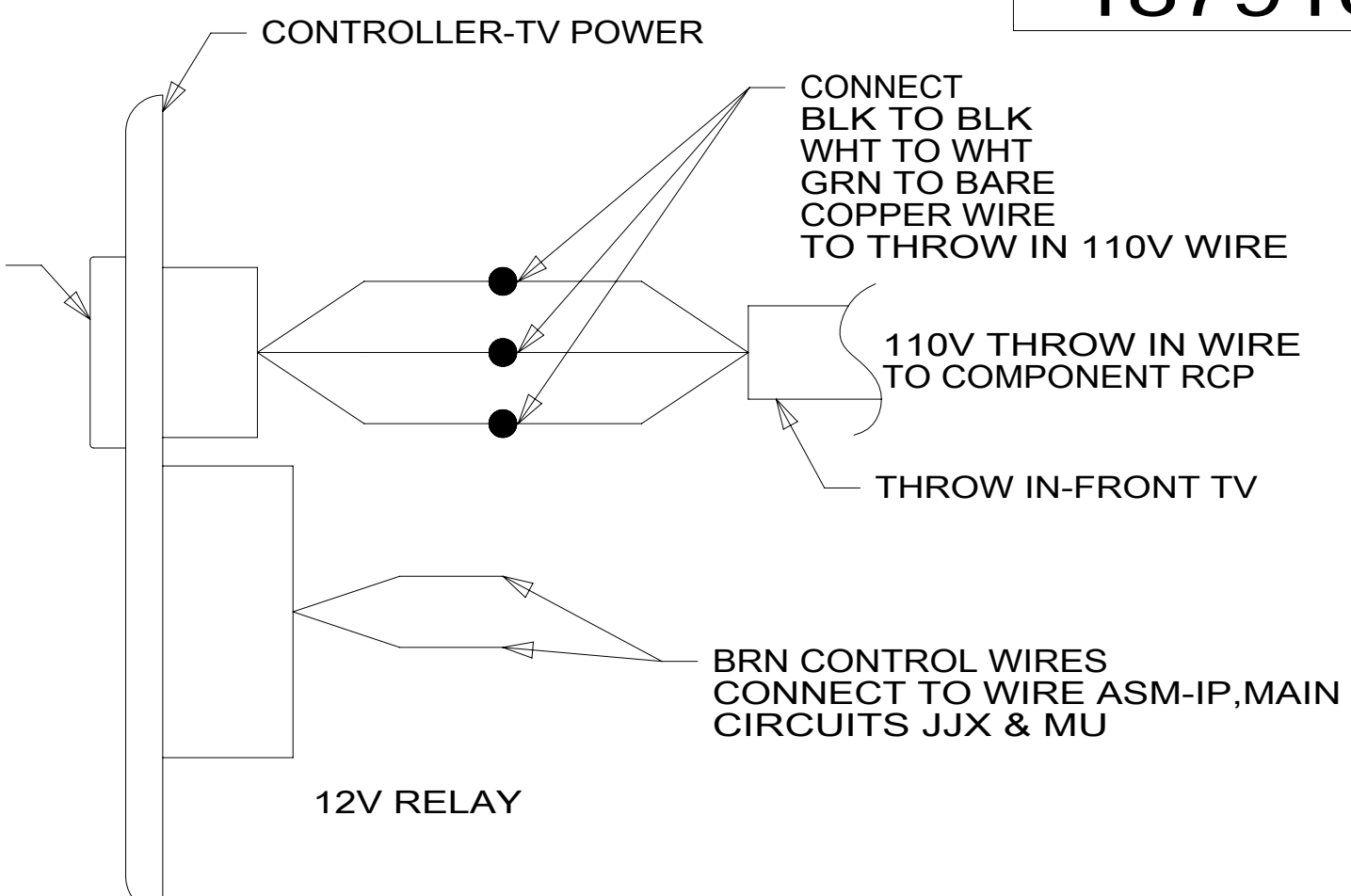
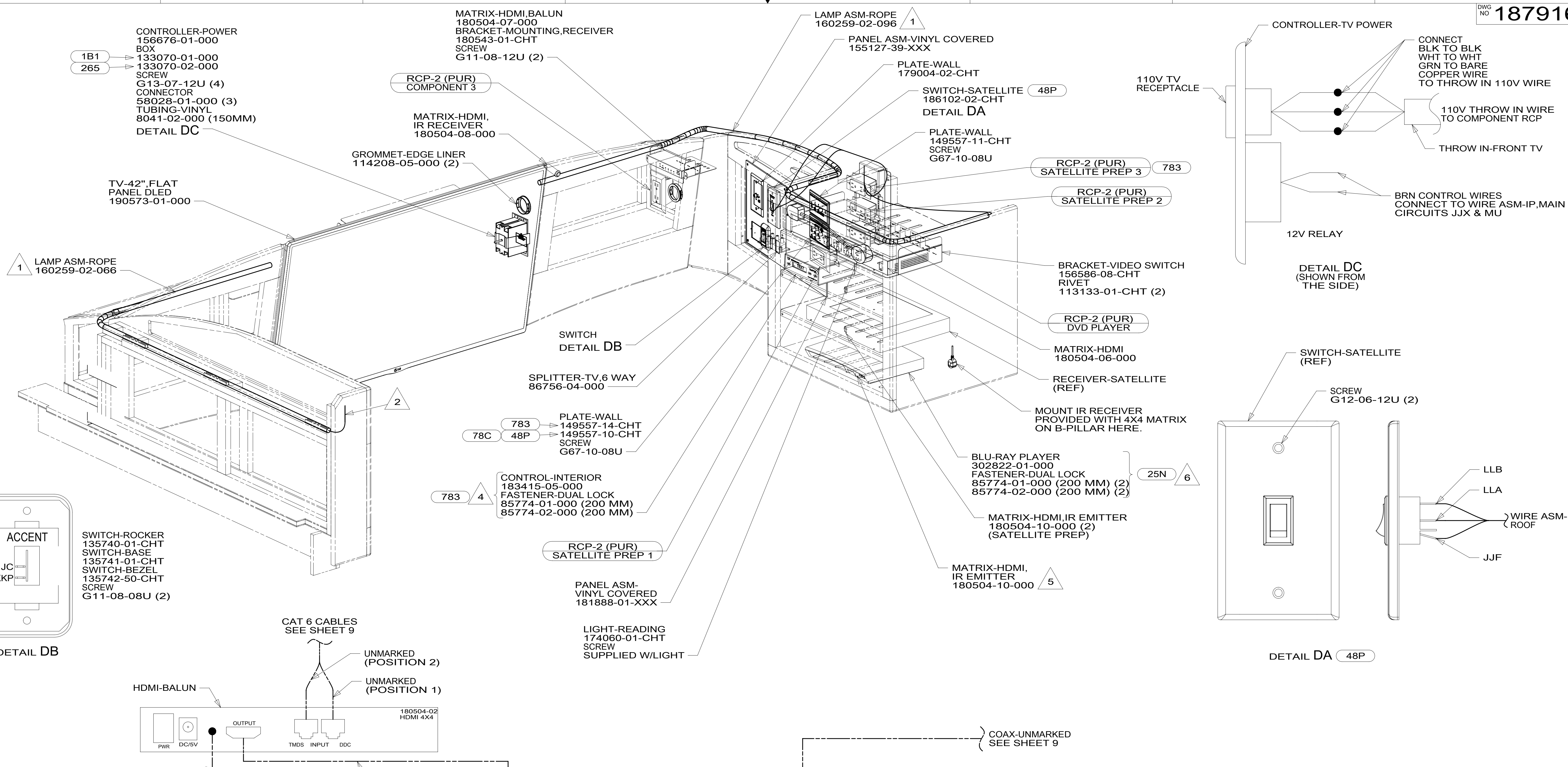
DO NOT SCALE DRAWING

TITLE: WIRING INSTL-TV/DVD

SHEET 3 PART NO. 187916 REV

10-Nov-2015

187916



- NOTES:
- 6 SET BLU-RAY PLAYER TO A MAX VIDEO OUTPUT OF 1080i.
 - 5 PLACE I.R.E. IN FRONT OF BLU-RAY PLAYER AS SHOWN. (150 MM FROM RIGHT SIDE)
 - 4 INTERIOR CONTROL CONNECTS TO SATELLITE DATA CABLE. SEE ROOF ASM FOR ADDITIONAL INFORMATION.
 - 3 CLEAN AND APPLY ADHESIVE PROMOTER 87211-01-000 TO BOTH SURFACES AND BOND WHERE TOP FLANGE OF BRACKET CONTACTS PLASTIC TV BEZEL.
 - 2 PLACE CONNECTOR HERE TO MAKE CONNECTION TO MATING WIRE ASM CIRCUITS KKP & NC.
 - 1 SNAP ROPE LIGHT IN CHANNELS ON OVHD CABINETS.

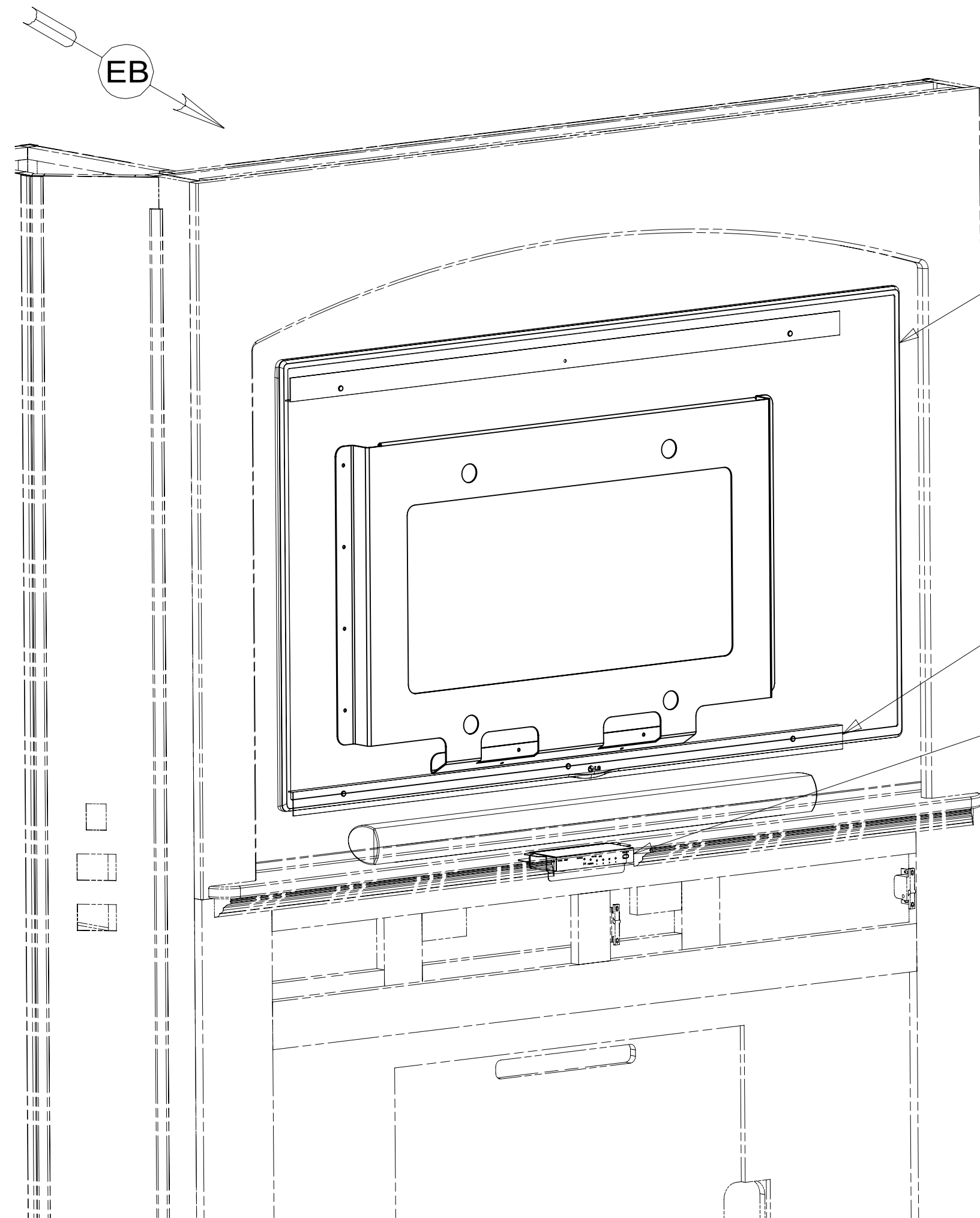
- 783 SATELLITE HD TV SYSTEM AUTOC
- 25N HOME THEATER SOUNDBAR SYSTEM
- 78C SATELLITE SYSTEM READY
- 48P SAT TV SYSTEM IN-MOTION
- 68L TV-42" COLOR, STEREO W/REMOTE
- 265 CODES/STANDARDS-CSA/CMVSS
- 1B1 CODES/STANDARDS USA

FOR ELECTRICAL TORQUE SPECIFICATIONS SEE DWG NO. 128783-01-000

FOR ELECTRICAL CALLOUTS SEE DWG NO. 121339-01-000

FIRST USED		15 R-SERIES	
DO NOT SCALE DRAWING			
TITLE: WIRING INSTL-TV/DVD			
SHEET 4	PART NO. 187916	REV	
		10-Nov-2015	

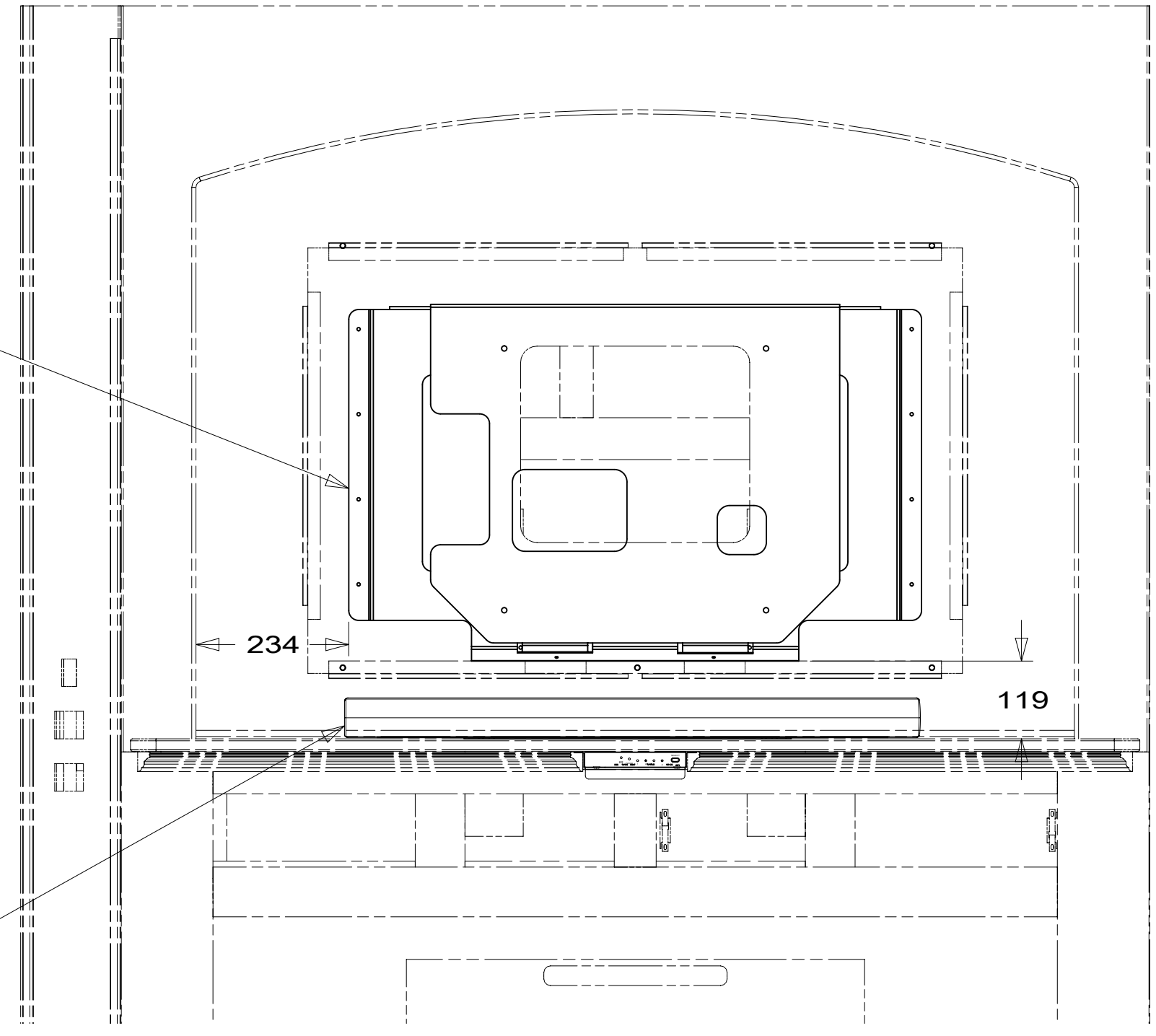
187916



TV-55" FLAT
 PANEL DLED,HDTV
 190576-01-000
 BRACKET-MOUNTING,TV
 169584-10-CHT
 SCREW
 OMG02U-06-016 (4)
 (BRACKET TO TV)
 SCREW
 G39-08-12U (2)
 (BRACKET TO BRACKET)

ANGLE-TRIM,AL
 187327-01-CHT (2)
 SCREW
 000G11-08-12U (5)

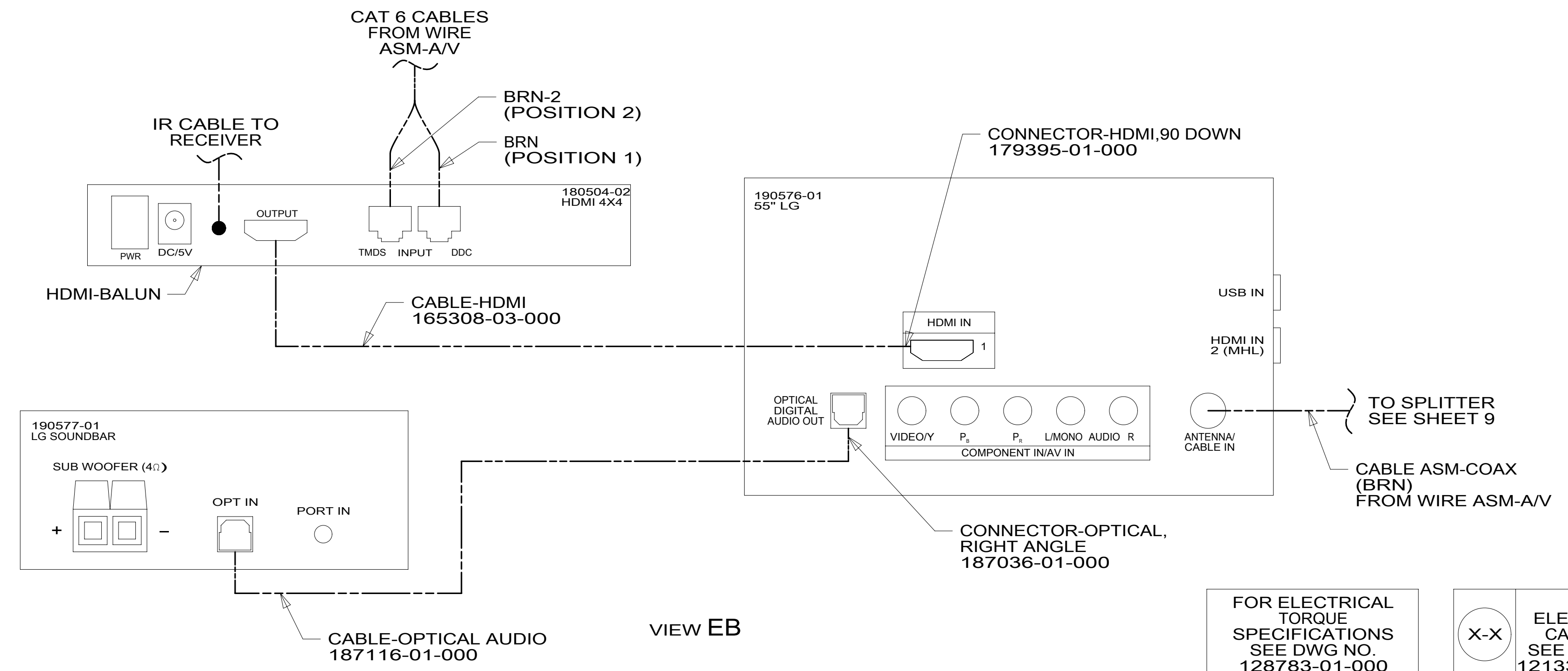
MATRIX-HDMI,BALUN
 180504-07-000
 BRACKET
 180543-02-CHT
 SCREW
 G11-08-12U (2)



BRACKET-TV
 182334-04-CHT
 SCREW
 G11-08-12U (12)

SPEAKER-SOUNDBAR
 190577-01-000
 PLATE-W/HOLES
 190634-01-CHT
 SCREW
 G11-08-12U (2)
 OMG02U-04-010 (2)

VIEW EA
 (TV NOT SHOWN)



VIEW EB

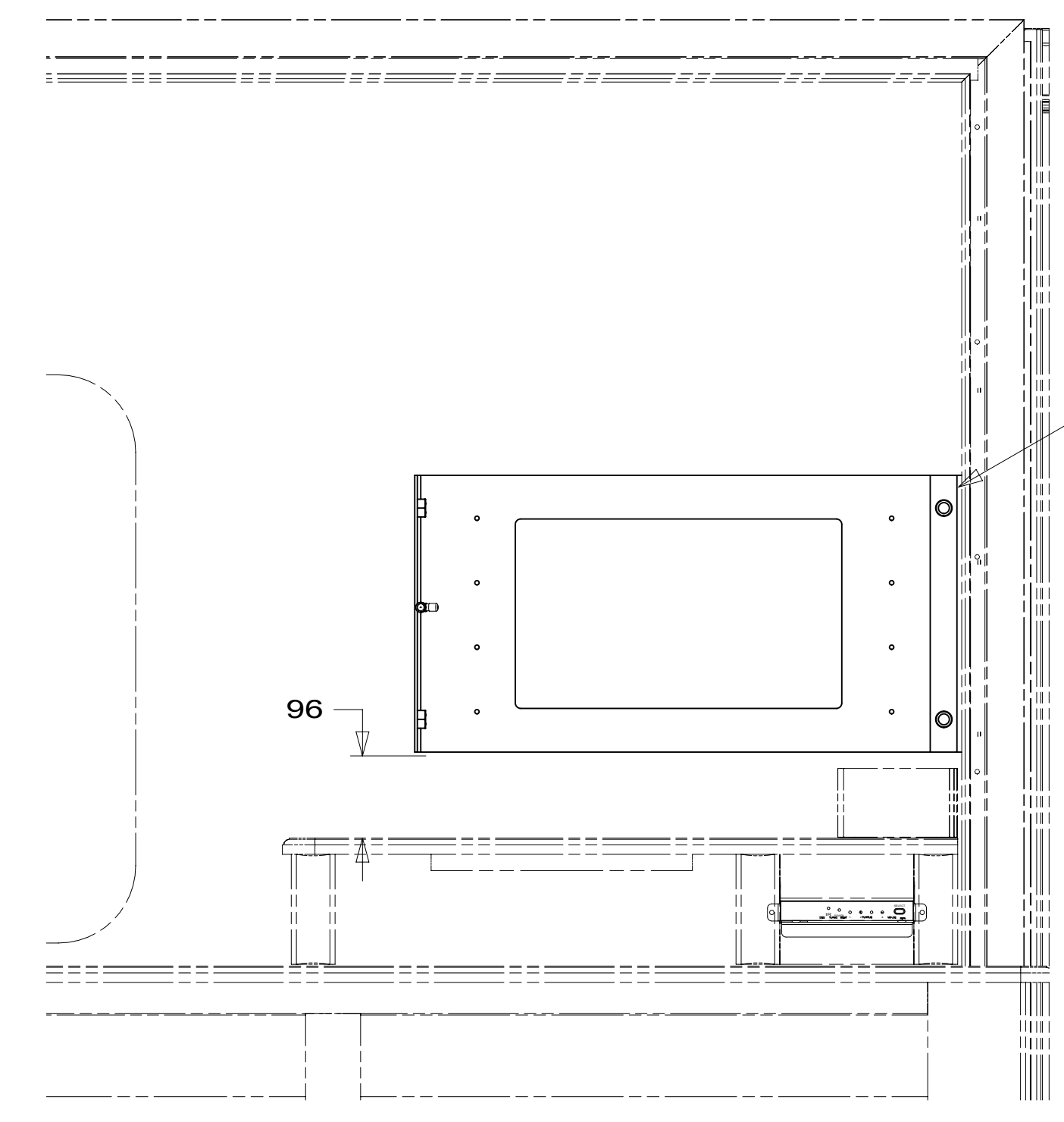
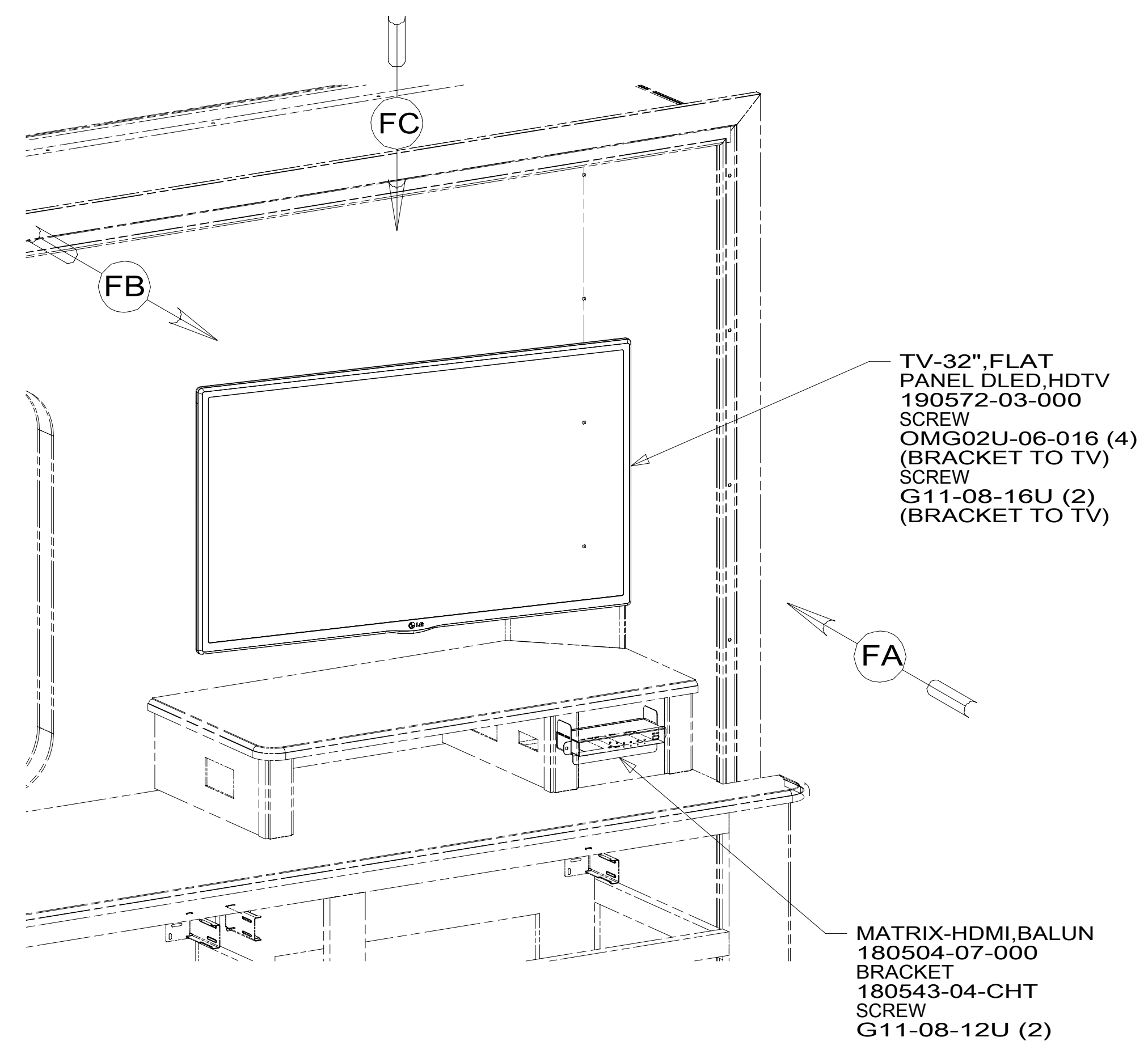
FOR ELECTRICAL TORQUE SPECIFICATIONS SEE DWG NO. 128783-01-000

FOR ELECTRICAL CALLOUTS SEE DWG NO. 121339-01-000

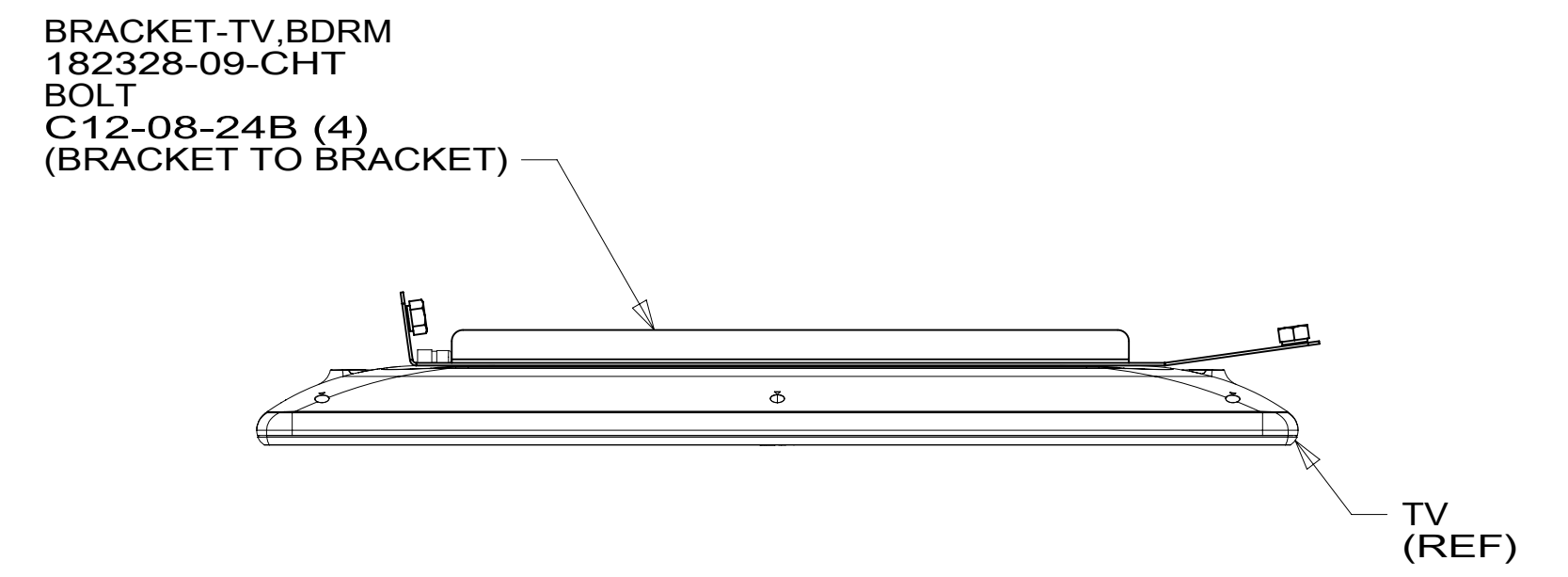
- 265 CODES/STANDARDS-CSA/CMVSS
- 1B1 CODES/STANDARDS USA
- 1B1 265

FIRST USED	
15 R-SERIES	
DO NOT SCALE DRAWING	
TITLE: WIRING INSTL-TV/DVD	
SHEET 5	PART NO. 187916 REV

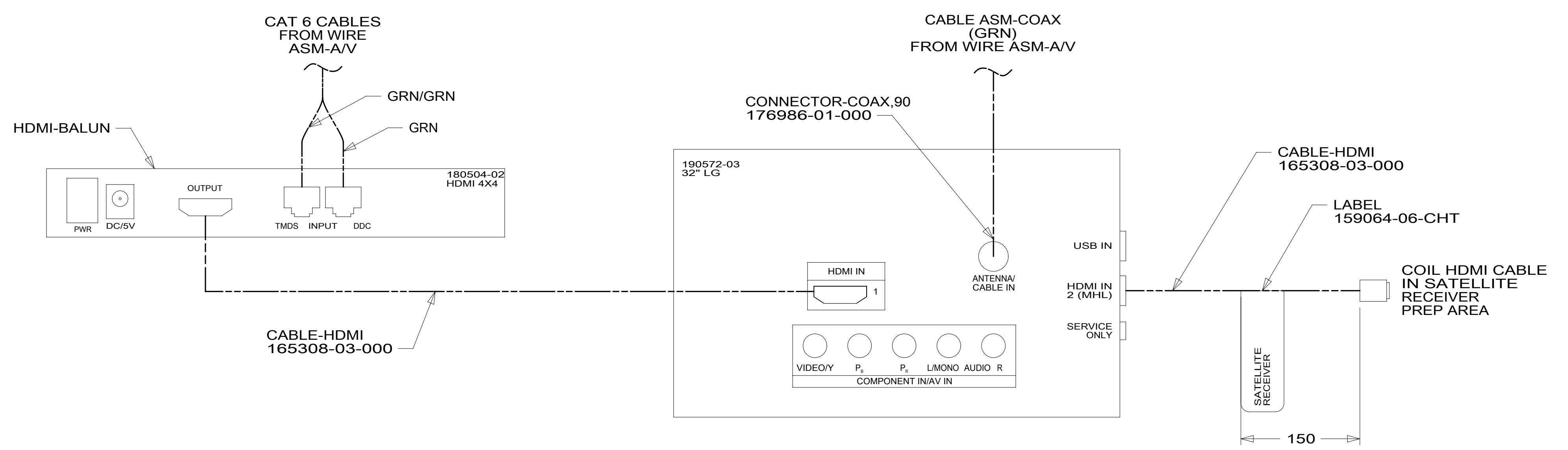
187916



VIEW FA
(TV NOT SHOWN)



VIEW FC



DETAIL FB

- 265 CODES/STANDARDS-CSA/CMVSS
- 1B1 CODES/STANDARDS USA
- 1B1 265

FOR ELECTRICAL TORQUE SPECIFICATIONS SEE DWG NO. 128783-01-000

FOR ELECTRICAL CALLOUTS SEE DWG NO. 121339-01-000

FIRST USED

15 R-SERIES

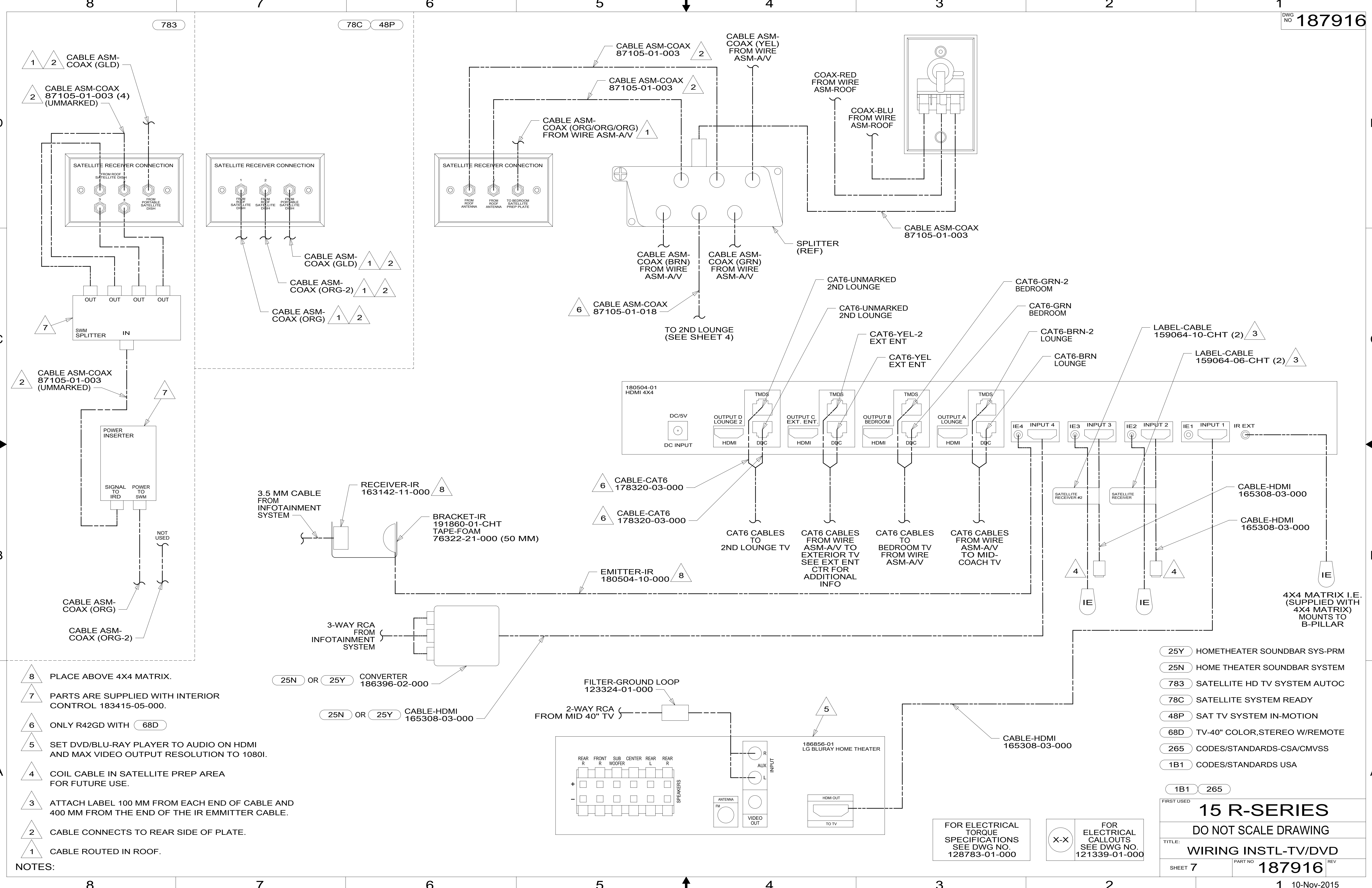
DO NOT SCALE DRAWING

TITLE: **WIRING INSTL-TV/DVD**

SHEET 6 PART NO **187916** REV

10-Nov-2015

187916



- NOTES:
- 8 PLACE ABOVE 4X4 MATRIX.
 - 7 PARTS ARE SUPPLIED WITH INTERIOR CONTROL 183415-05-000.
 - 6 ONLY R42GD WITH 68D
 - 5 SET DVD/BLU-RAY PLAYER TO AUDIO ON HDMI AND MAX VIDEO OUTPUT RESOLUTION TO 1080I.
 - 4 COIL CABLE IN SATELLITE PREP AREA FOR FUTURE USE.
 - 3 ATTACH LABEL 100 MM FROM EACH END OF CABLE AND 400 MM FROM THE END OF THE IR EMMITTER CABLE.
 - 2 CABLE CONNECTS TO REAR SIDE OF PLATE.
 - 1 CABLE ROUTED IN ROOF.

- 25Y HOMETHEATER SOUNDBAR SYS-PRM
- 25N HOME THEATER SOUNDBAR SYSTEM
- 783 SATELLITE HD TV SYSTEM AUTOC
- 78C SATELLITE SYSTEM READY
- 48P SAT TV SYSTEM IN-MOTION
- 68D TV-40" COLOR,STEREO W/REMOTE
- 265 CODES/STANDARDS-CSA/CMVSS
- 1B1 CODES/STANDARDS USA

1B1 265

FIRST USED

15 R-SERIES

DO NOT SCALE DRAWING

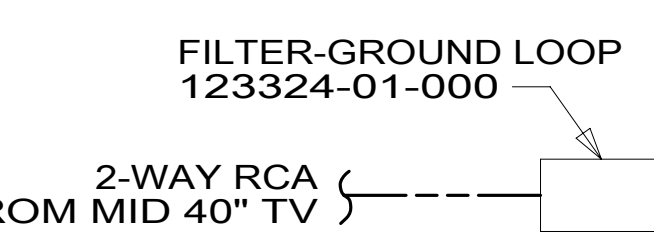
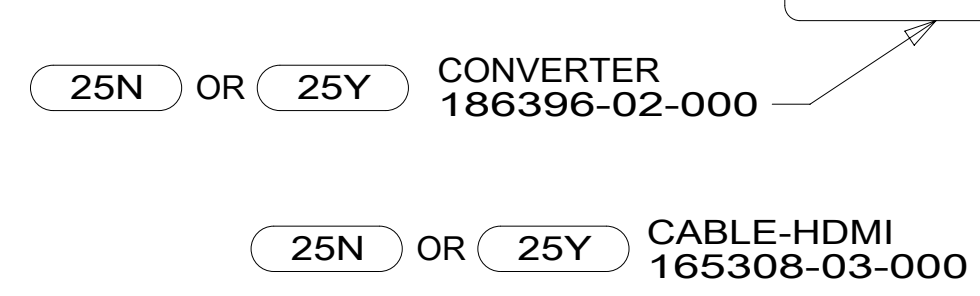
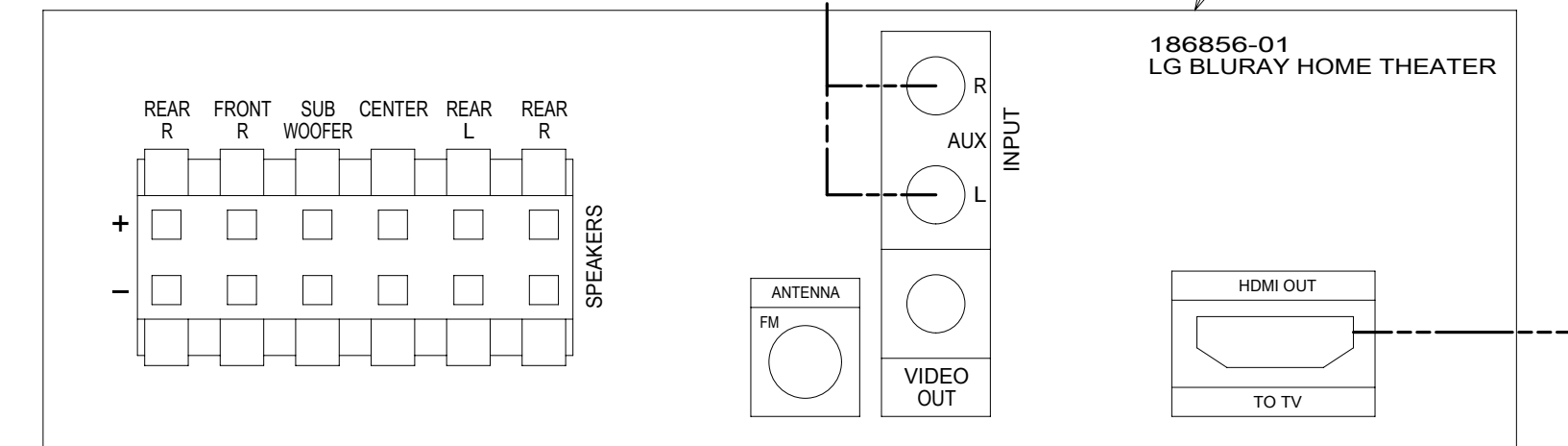
TITLE: **WIRING INSTL-TV/DVD**

SHEET 7 PART NO **187916** REV

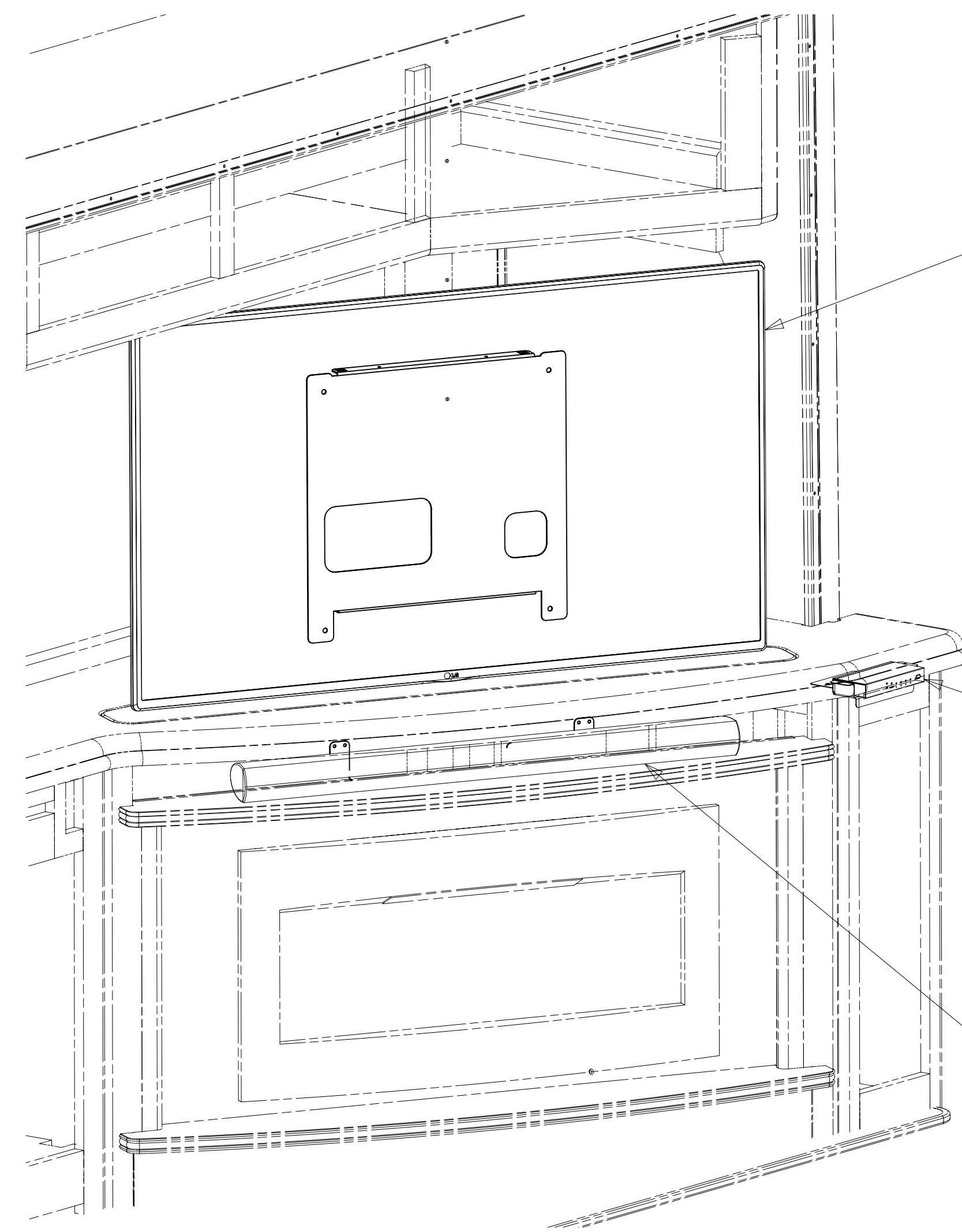
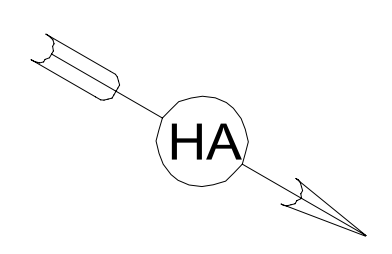
10-Nov-2015

FOR ELECTRICAL TORQUE SPECIFICATIONS SEE DWG NO. 128783-01-000

X-X FOR ELECTRICAL CALLOUTS SEE DWG NO. 121339-01-000



187916



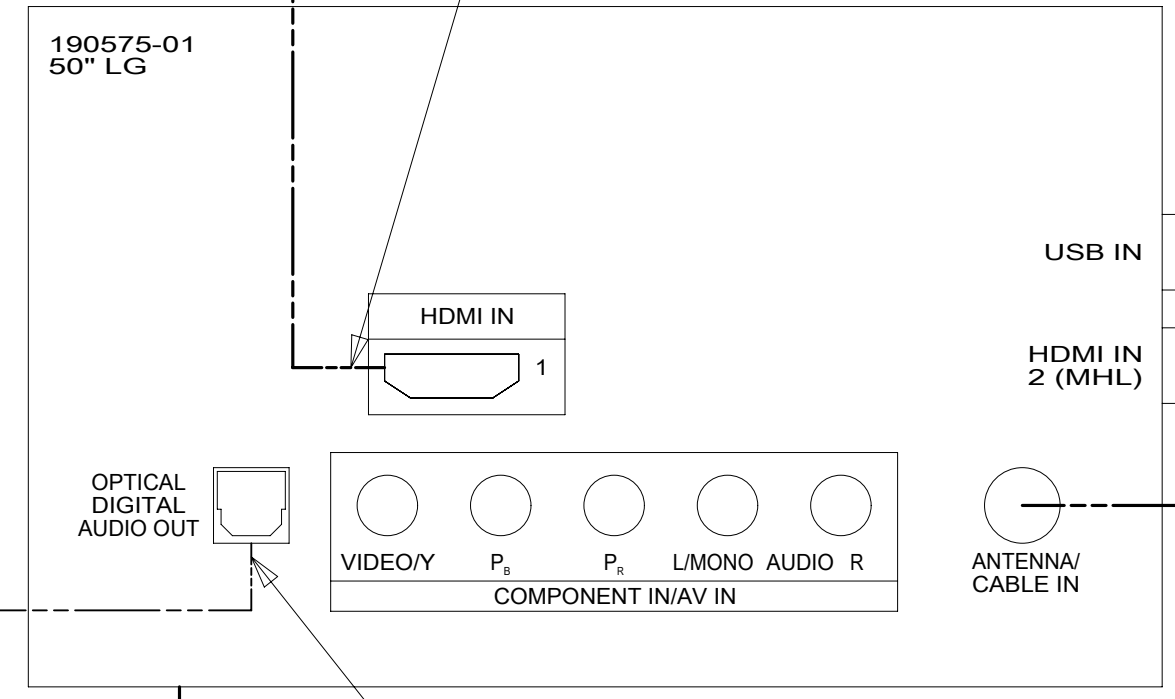
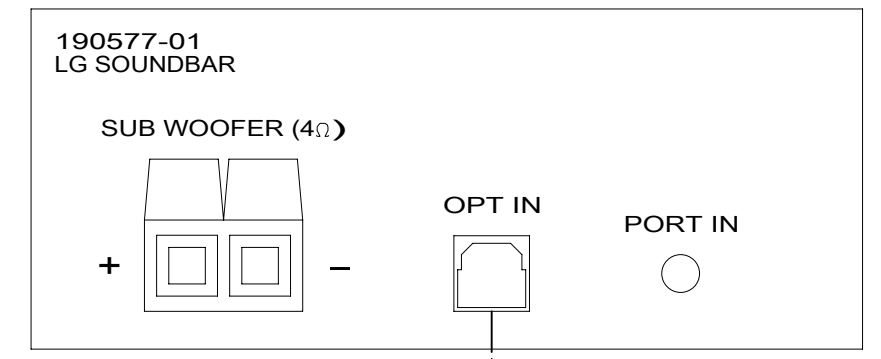
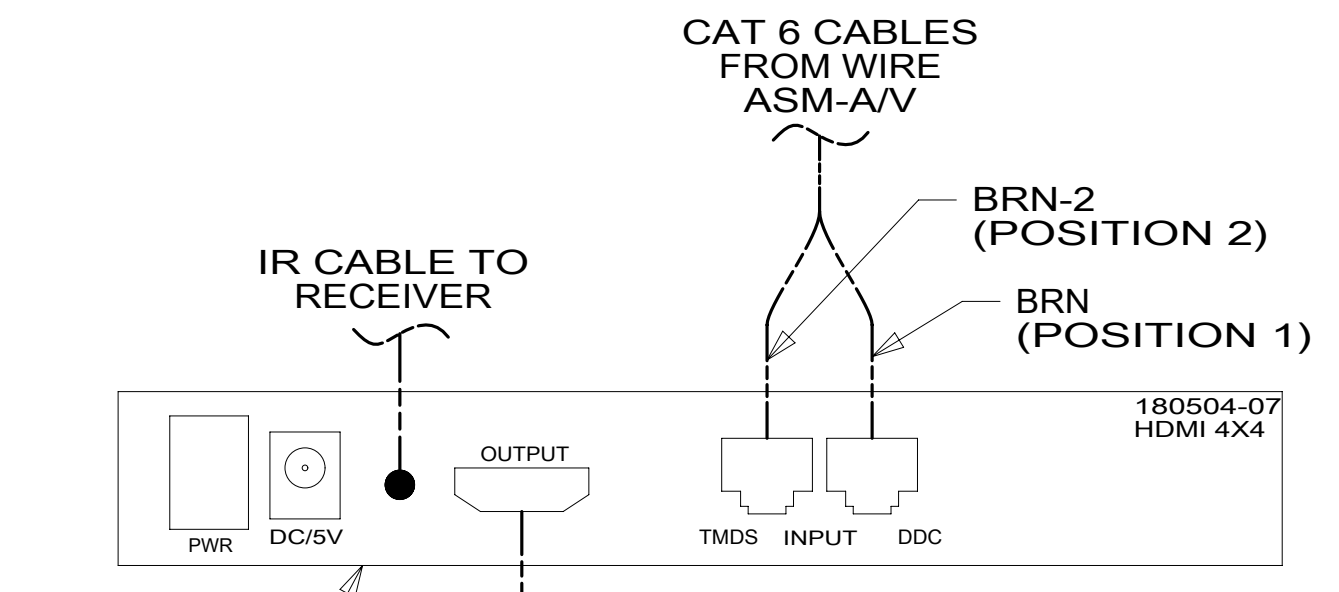
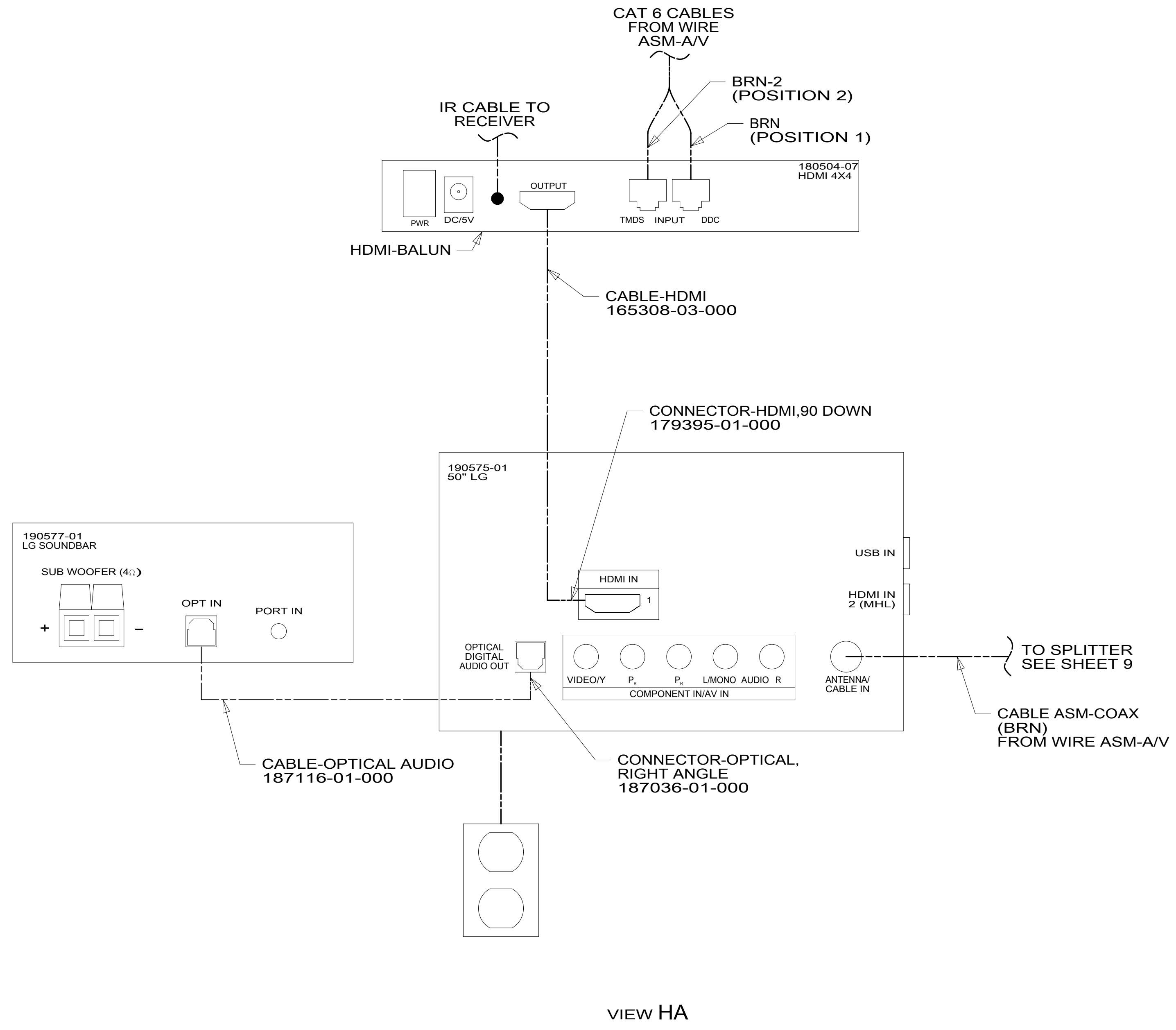
TV-50".FLAT
PANEL DLED,HDTV
190575-01-000
PLATE-MOUNTING,TV
173660-40-CHT
SCREW
OMG02U-06-016 (4)
SCREW
000G39-10-12U (2)
(BRACKET TO BRACKET)

MATRIX-HDMI,BALUN
180504-07-000
BRACKET-MOUNTING,
RECEIVER
180543-02-CHT
SCREW
G11-08-12U (2)

SPEAKER-SOUNDBAR
W/SUB WIRED
190577-01-000
PLATE-W/HOLES
190634-02-CHT
SCREW
G11-08-12U (2)
SCREW
OMG02U-04-010 (2)
SPEAKER-SOUNDBAR
189409-01-000
PLATE-W/HOLES
190634-04-CHT
SCREW
G11-08-12U (2)
SCREW
OMG02U-05-010 (2)

25N

25Y



VIEW HA

- 25Y HOMETHEATER SOUNDBAR SYS-PRM
- 25N HOME THEATER SOUNDBAR SYSTEM
- 265 CODES/STANDARDS-CSA/CMVSS
- 1B1 CODES/STANDARDS USA

1B1 265

FOR ELECTRICAL
TORQUE
SPECIFICATIONS
SEE DWG NO.
128783-01-000

FOR
ELECTRICAL
CALLOUTS
SEE DWG NO.
121339-01-000

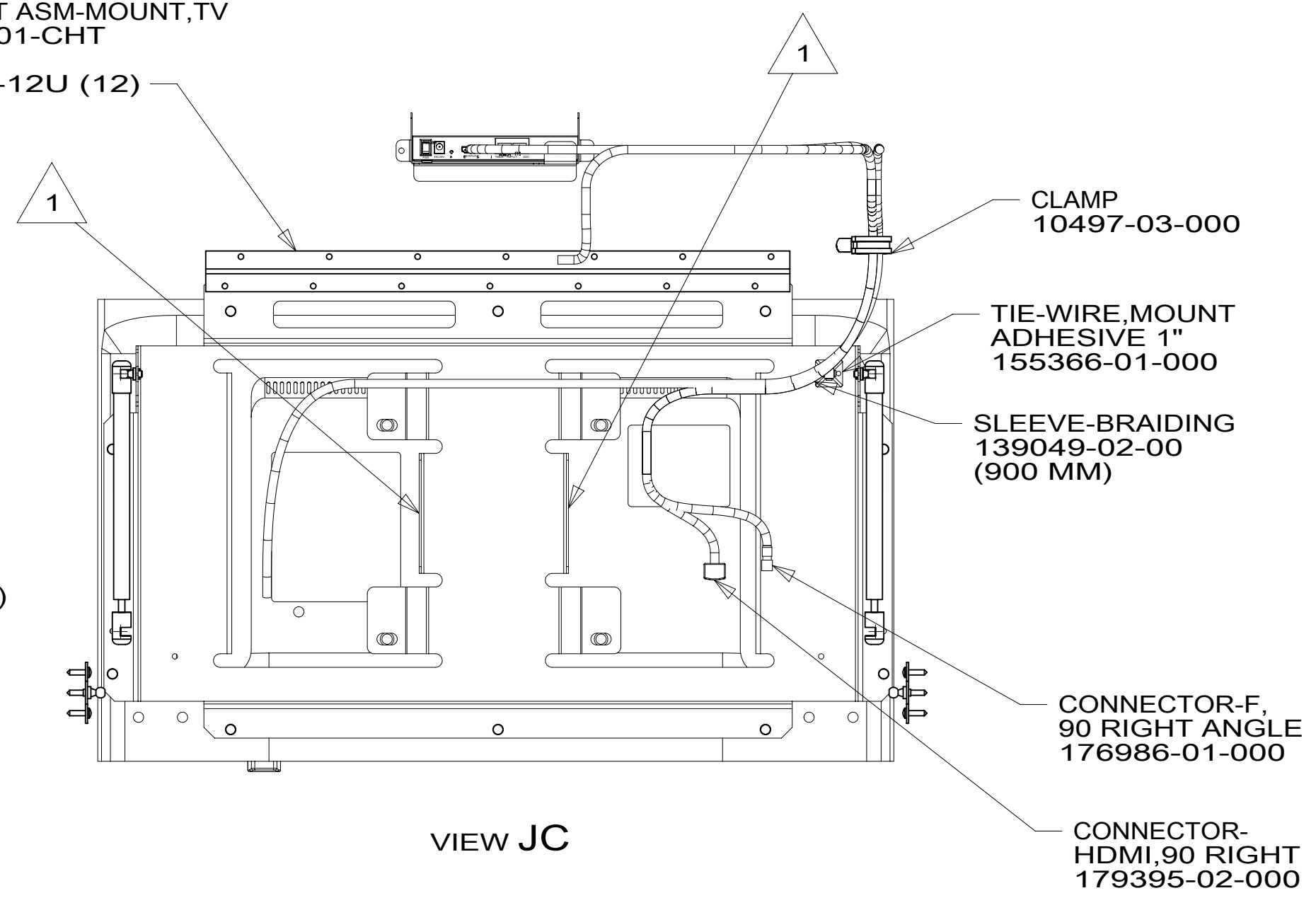
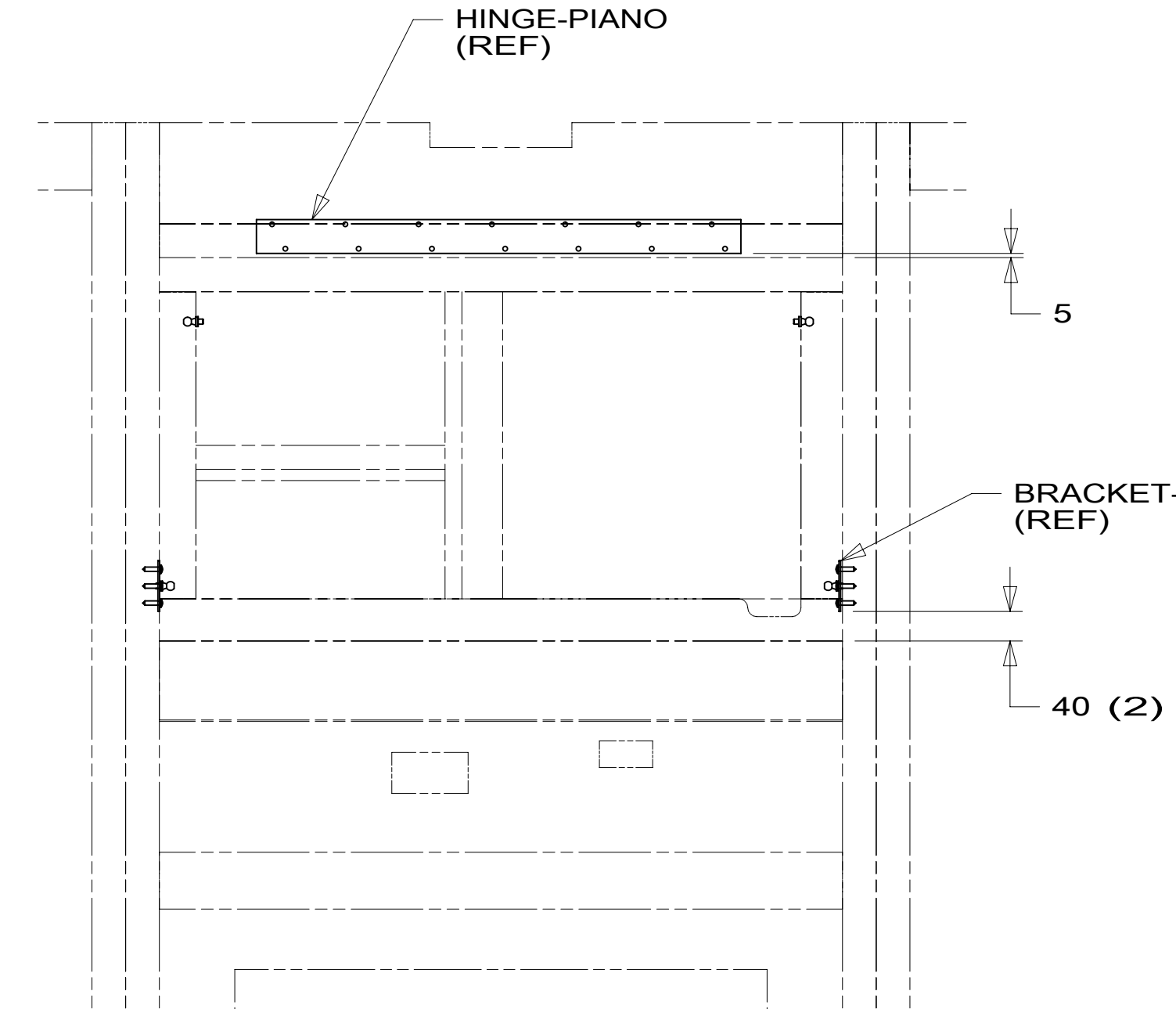
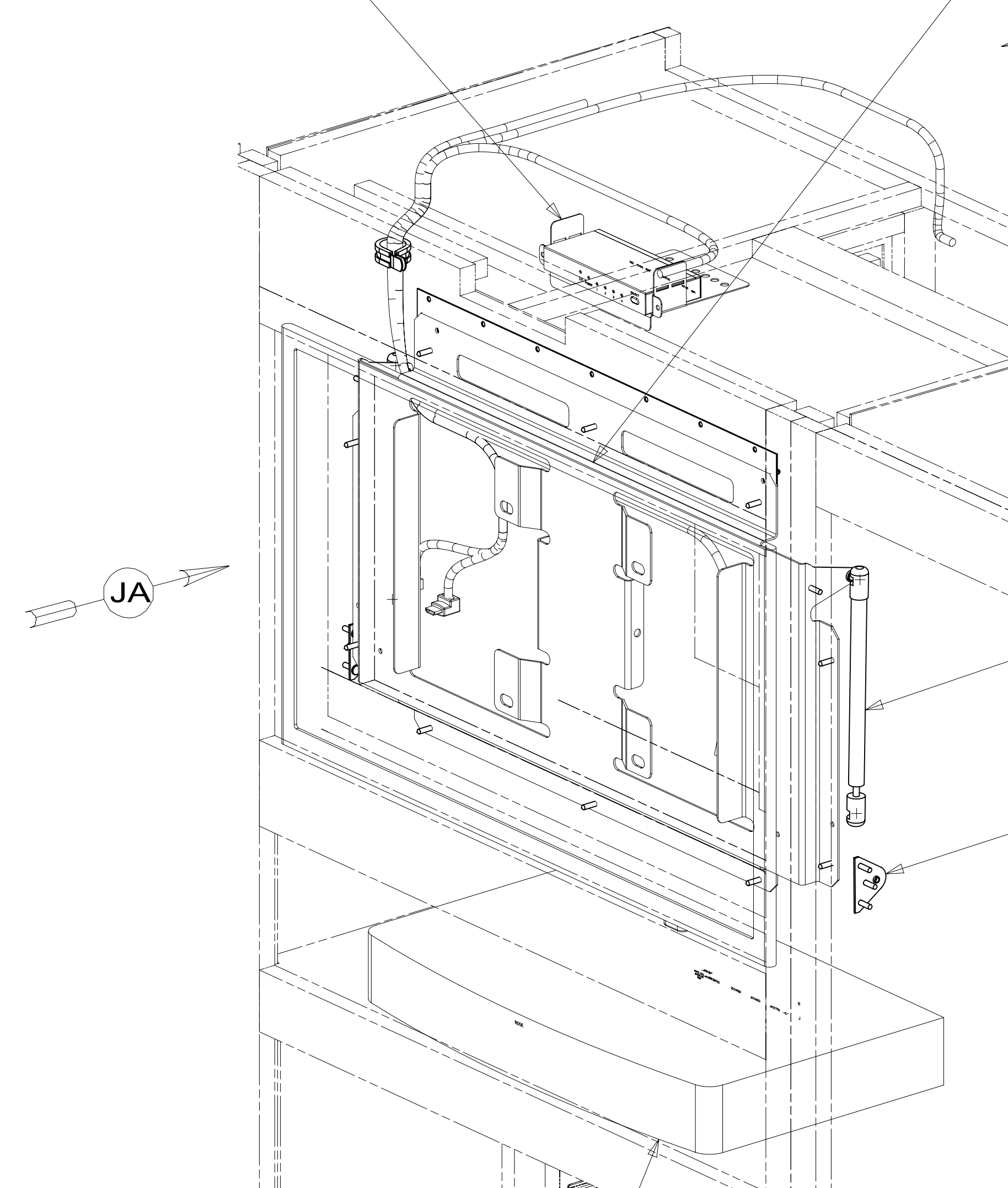
FIRST USED	
15 R42HD	
DO NOT SCALE DRAWING	
TITLE: WIRING INSTL-TV/DVD	
SHEET 8	PART NO 187916 REV
1 10-Nov-2015	

187916

MATRIX-HDMI,BALUN GEN 2
180504-07-000
BRACKET-MOUNTING,RECEIVER
180543-01-CHT
SCREW
076790-05-000 (2)

TV-32" FLAT
PANEL ELED,HDTV
194668-01-000
SCREW
0MG02U-06-016 (4)

BRACKET ASM-MOUNT,TV
194727-01-CHT
SCREW
G67-10-12U (12)



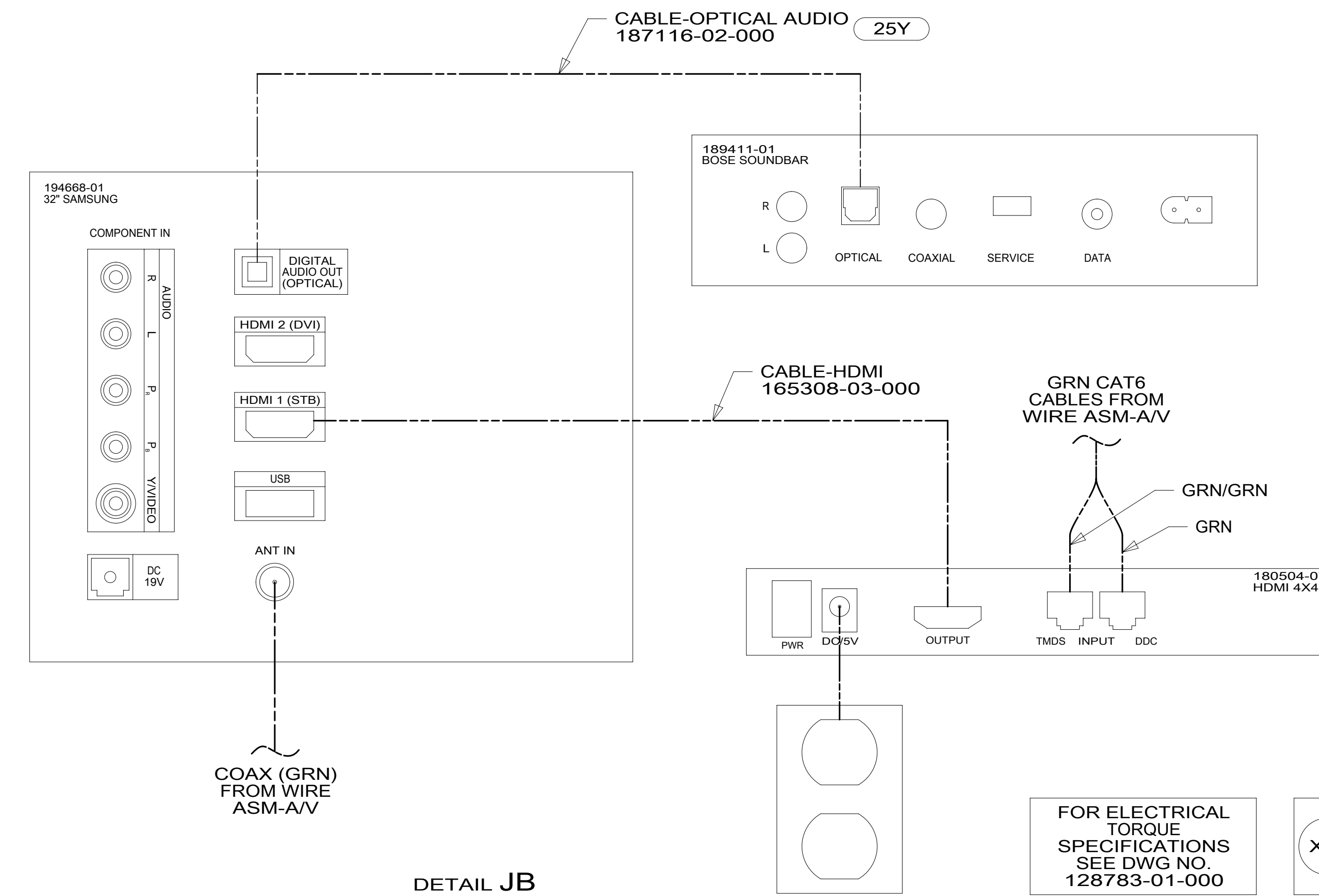
SPRING-GAS
142569-32-000 (2)

BRACKET-GAS SPRING
126263-08-CHT (2)
SCREW
G67-10-12U (6)

VIEW JA
(TV NOT SHOWN)

VIEW JC

25Y SPEAKER-SOUNDBAR
189411-01-000
FASTENER-DUAL LOCK
85774-01-000 (200 MM) (2)
85774-02-000 (200 MM) (2)



DETAIL JB

- 25Y HOMETHEATER SOUNDBAR SYS-PRM
- 265 CODES/STANDARDS-CSA/CMVSS
- 1B1 CODES/STANDARDS USA

1B1	265
FIRST USED	
15 R42HD	
DO NOT SCALE DRAWING	
TITLE: WIRING INSTL-TV/DVD	
SHEET 9	PART NO 187916 REV

FOR ELECTRICAL
TORQUE
SPECIFICATIONS
SEE DWG NO.
128783-01-000

FOR ELECTRICAL
CALLOUTS
SEE DWG NO.
121339-01-000

NOTES:
1 USE TIE-WIRE 8343-04-000 TO ATTACH WIRE ASM TO HOLES IN BRACKET ASM-MOUNT,TV.

187916