



**DANGER**

**Danger of electrical shock, burns or death.** Always remove all power sources before attempting any repair, service or diagnostic work. Power can be present from shore power, generator, inverter or battery. All power sources must be disabled and secured before performing any service.



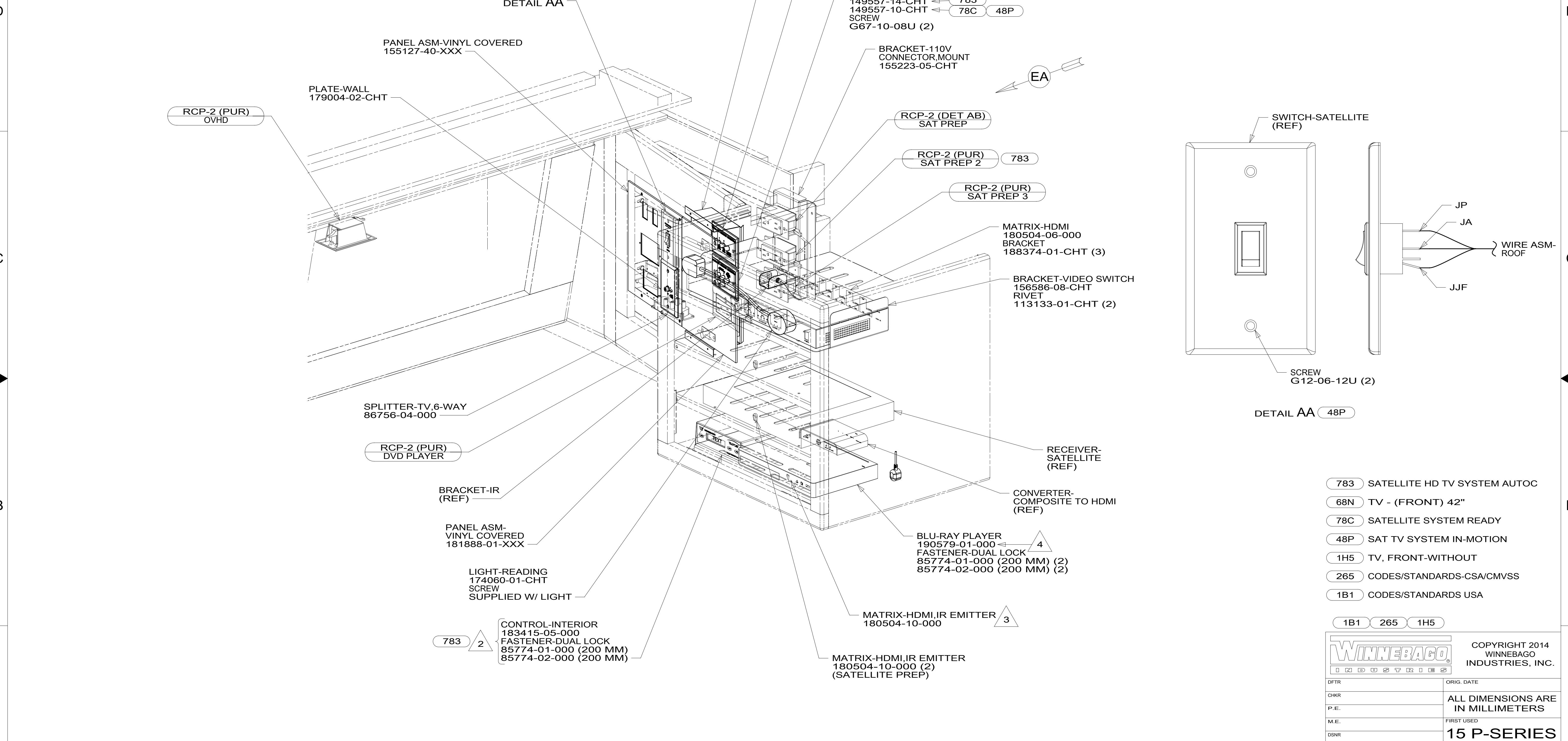
**CAUTION**

If you lack the skills, tools or equipment to perform diagnostic or repair work leave such work to an authorized Winnebago Industries dealer or other qualified shop.

DRAWING NO.	SHEETS	MODEL
187910-01	1,5,6,7	P40R
187910-02	1,2,3,4,5	P36M
187910-03	-----	-----
187910-04	1,5,7,8	P42E

RELEASE A	REV/DATE	DWG NO. <b>187910</b>
REV ZONE	REVISION RECORD	DATE DFT-ORIG

INDICATES COMPONENTS TO BE DETERMINED

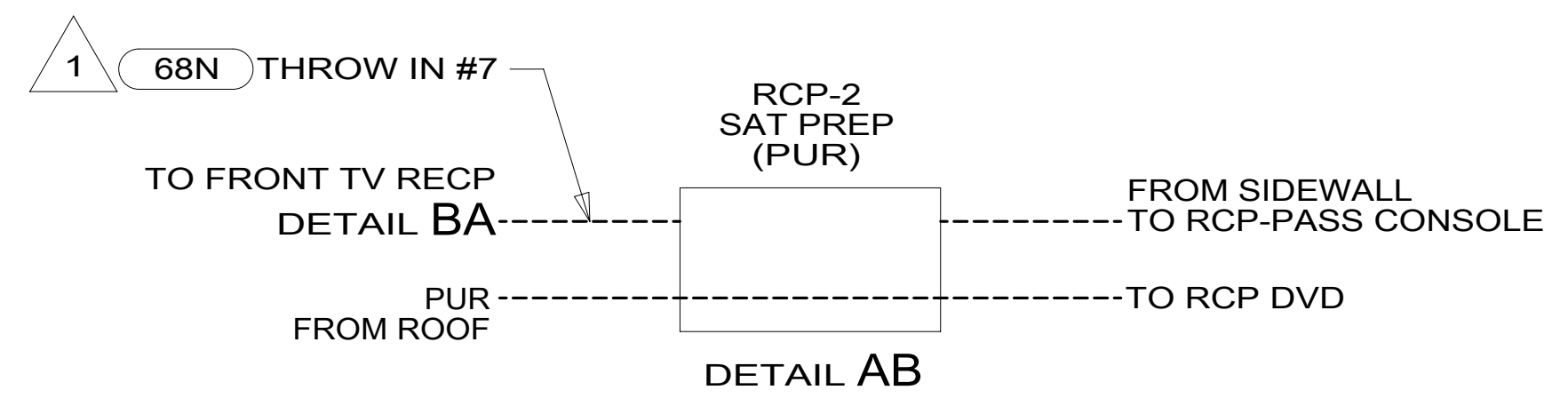


- 783 SATELLITE HD TV SYSTEM AUTOC
- 68N TV - (FRONT) 42"
- 78C SATELLITE SYSTEM READY
- 48P SAT TV SYSTEM IN-MOTION
- 1H5 TV, FRONT-WITHOUT
- 265 CODES/STANDARDS-CSA/CMVSS
- 1B1 CODES/STANDARDS USA

**WINNEBAGO** COPYRIGHT 2014 WINNEBAGO INDUSTRIES, INC.

DFT-ORIG	ORIG. DATE
CHKR	ALL DIMENSIONS ARE IN MILLIMETERS
P.E.	FIRST USED
M.E.	<b>15 P-SERIES</b>
DSNR	MATERIAL:
UNSPECIFIED TOLERANCES ARE:	
WHOLE DIM (X)	: 3
ONE-PLACE (X.X)	: 1.5
TWO-PLACE (X.XX)	: 0.50
ANGLE	: 1°
THIRD ANGLE PROJECTION	
DO NOT SCALE DRAWING	REFER TO ES0018 FOR FASTENER TIGHTENING GUIDELINES
TITLE: <b>WIRING INSTL-TV/DVD</b>	
SHEET <b>1 OF 8</b>	PART NO. <b>187910</b> REV
REF:	<b>1</b> 19-Mar-2015

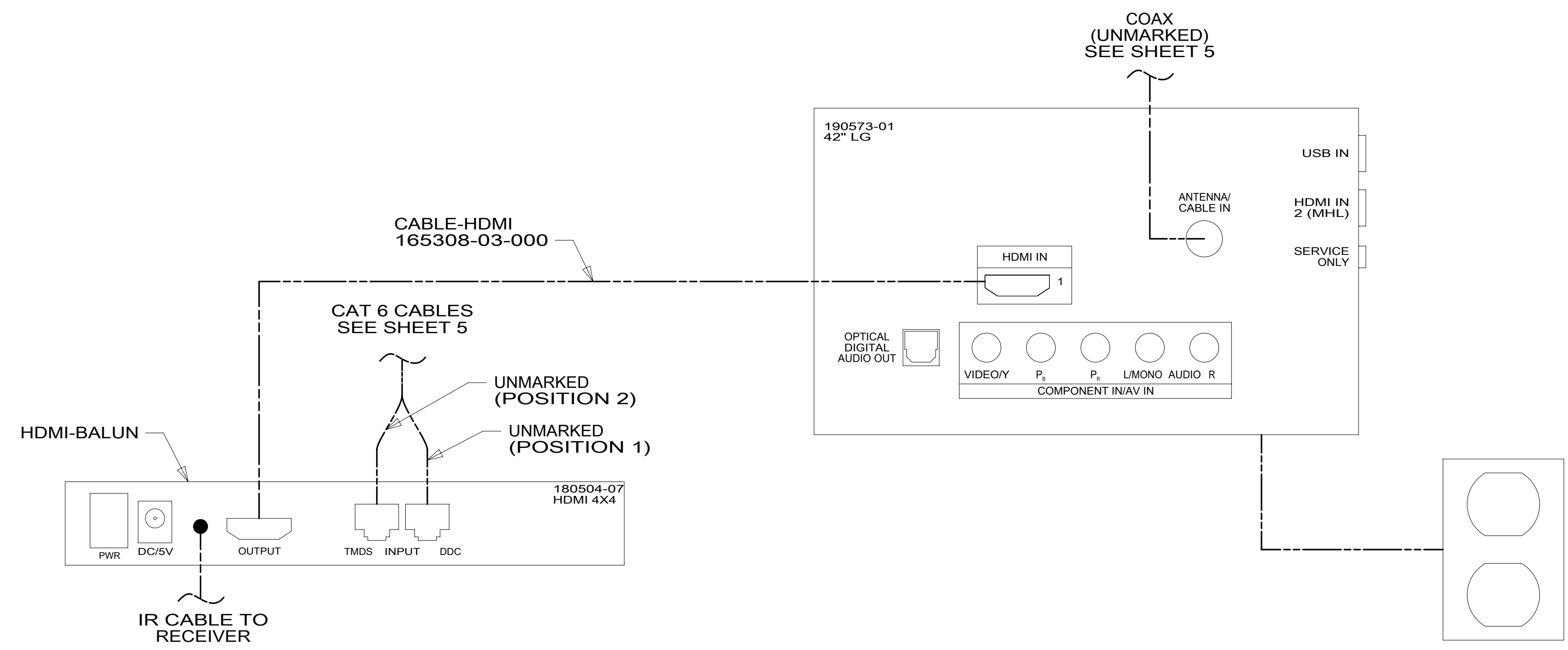
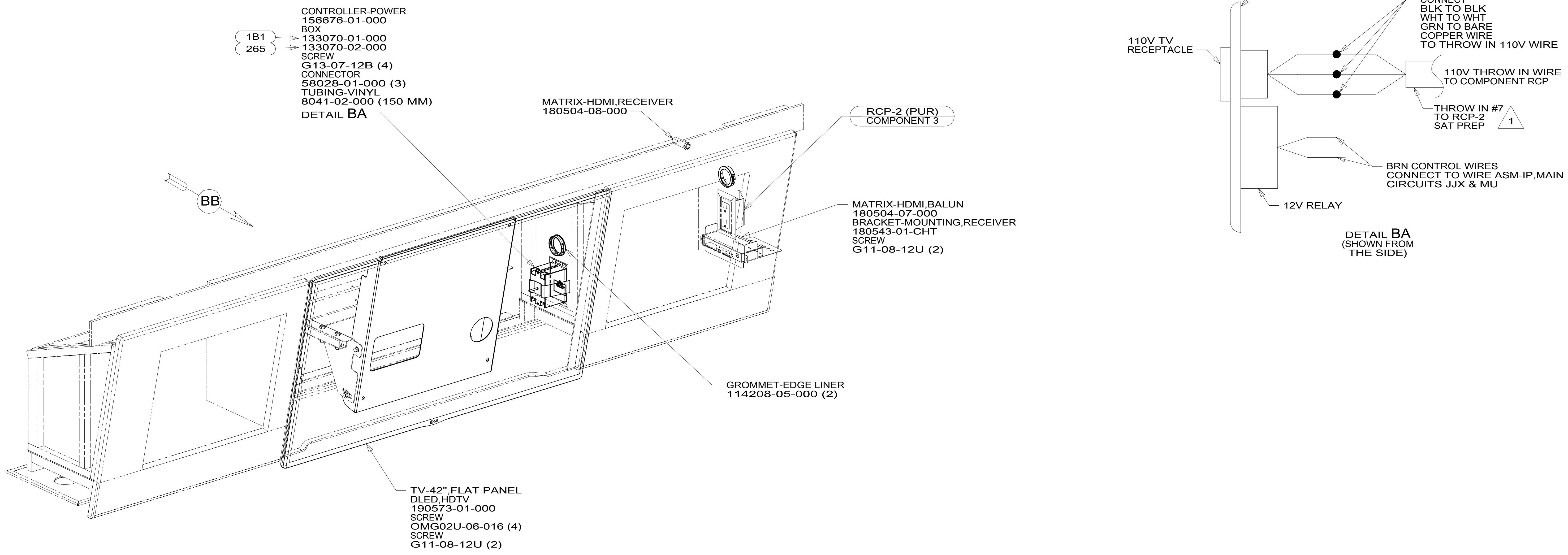
- NOTES:
- 4 SET BLU-RAY PLAYER TO A MAX VIDEO OUTPUT OF 1080i.
  - 3 STICK I.E. FOR BLU-RAY PLAYER ON FRONT OF BLU-RAY PLAYER AS SHOWN. (90 MM FROM RIGHT SIDE)
  - 2 INTERIOR CONTROL CONNECTS TO SATELLITE DATA CABLE. SEE ROOF ASM FOR ADDITIONAL INFORMATION.
  - 1 SEE LOAD CENTER/ATS FOR ADDITIONAL INFORMATION.



FOR ELECTRICAL TORQUE SPECIFICATIONS SEE DWG NO. 128783-01-000

FOR ELECTRICAL CALLOUTS SEE DWG NO. 121339-01-000

\*187910\*



2 CLEAN AND APPLY ADHESIVE PROMOTER 87211-01-000 TO BOTH SURFACES AND BOND WHERE TOP FLANGE OF BRACKET CONTACTS PLASTIC TV BEZEL.

1 SEE LOAD CENTER/ATS FOR ADDITIONAL INFORMATION.

NOTES:

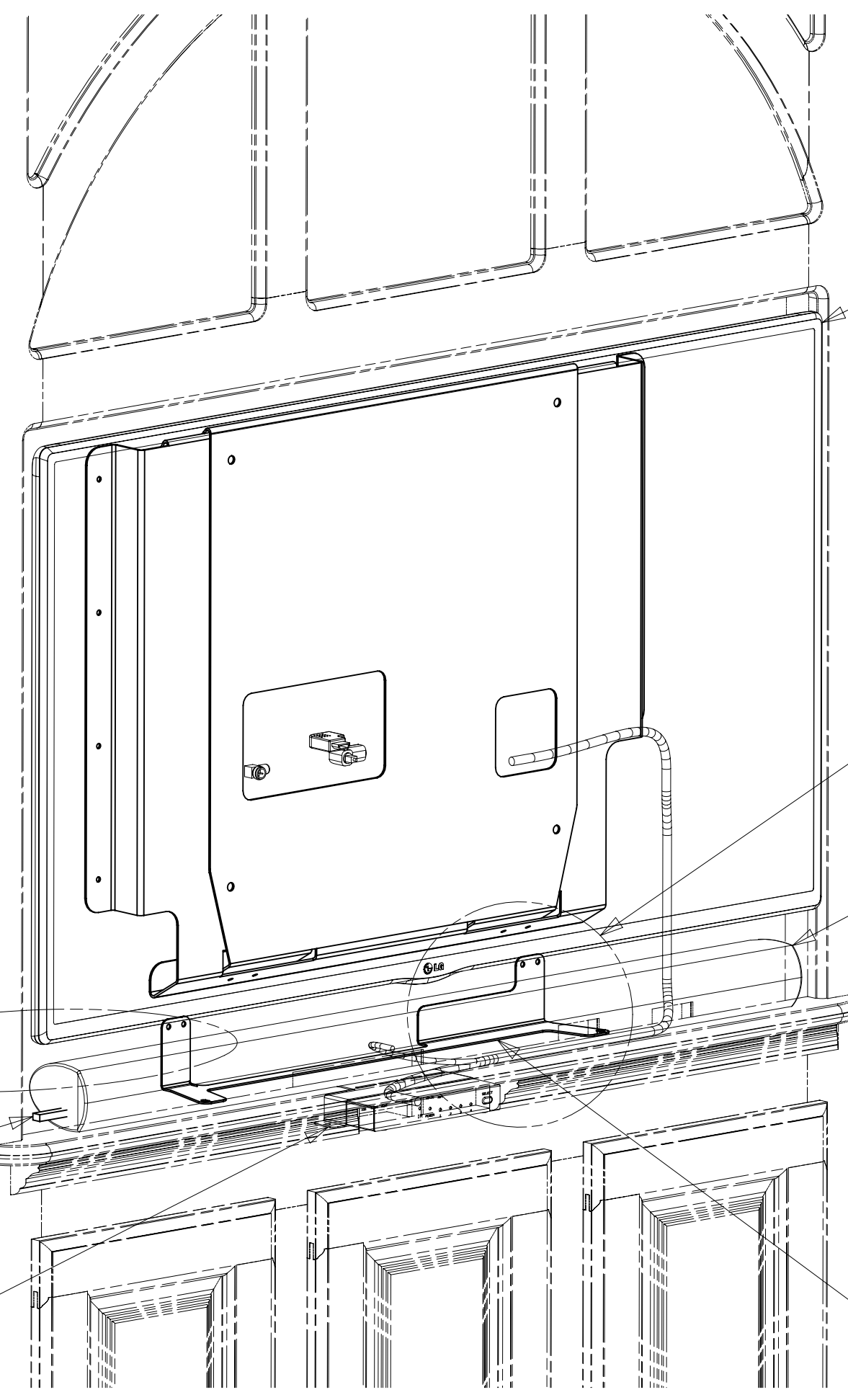
FOR ELECTRICAL TORQUE SPECIFICATIONS SEE DWG NO. 128783-01-000

FOR ELECTRICAL CALLOUTS SEE DWG NO. 121339-01-000

- 68N TV - (FRONT) 42"
- 265 CODES/STANDARDS-CSA/CMVSS
- 1B1 CODES/STANDARDS USA

1B1	265	68N
FIRST USED		
<b>15 P-SERIES</b>		
DO NOT SCALE DRAWING		
TITLE: <b>WIRING INSTL-TV/DVD</b>		
SHEET 2	PART NO. <b>187910</b>	REV
19-Mar-2015		

\*187910\*



TV-42", FLAT  
PANEL DLED, HDTV  
190573-01-000  
PLATE-TV  
169584-11-CHT  
SCREW  
OMG02U-06-016 (4)  
SCREW  
G39-08-12U (4)

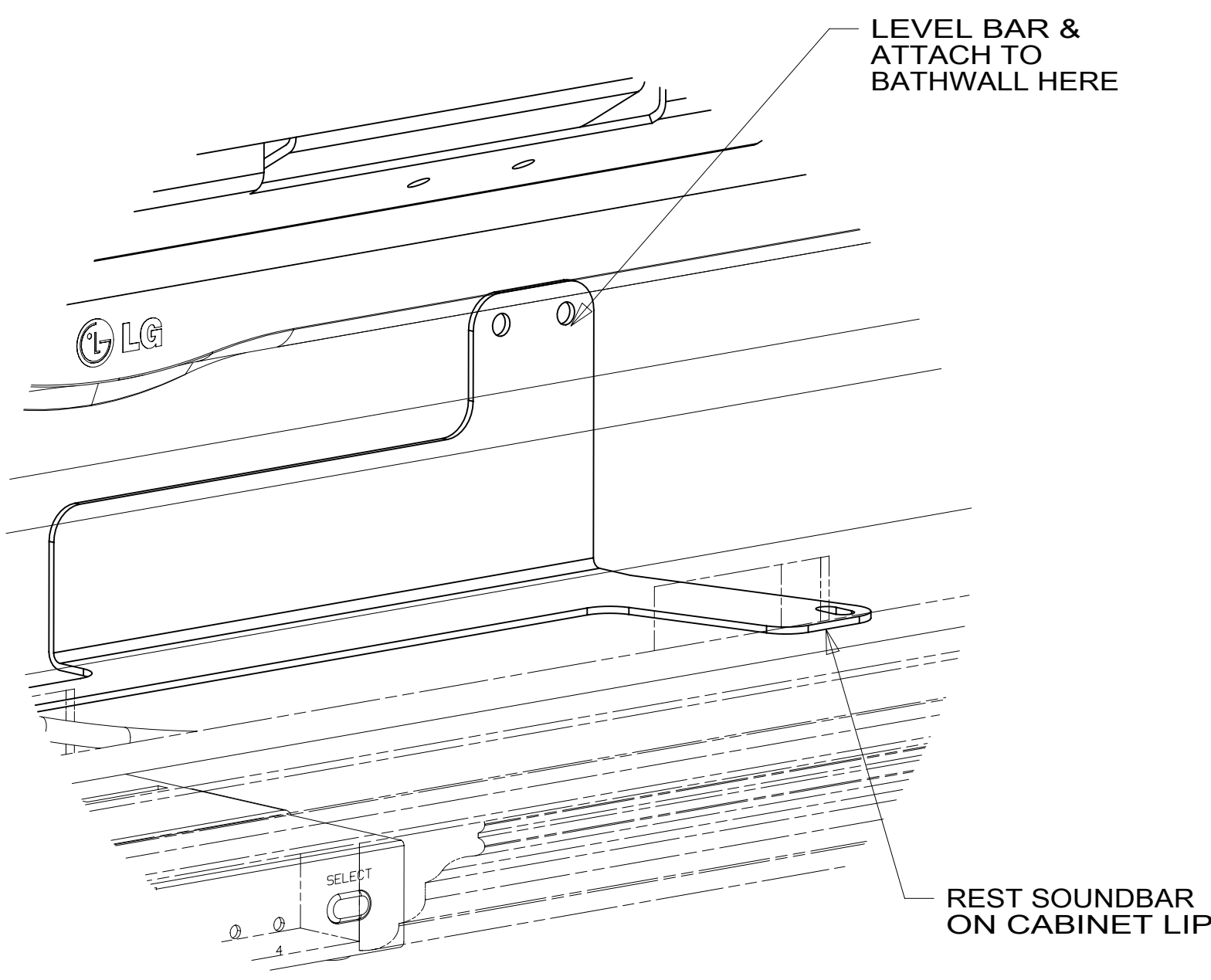
DETAIL CC

SPEAKER-SOUNDBAR  
W/SUB WIRED  
190577-01-000  
PLATE-W/HOLES  
190634-02-CHT  
SCREW  
G11-08-12U (4)  
SCREW  
OMG02U-04-010 (2)

PLATE-W/HOLES  
190634-02-CHT

SEAL  
154585-08-CHT  
(940 MM)  
(TRIM AROUND FEET  
& DO NOT COVER VENT)

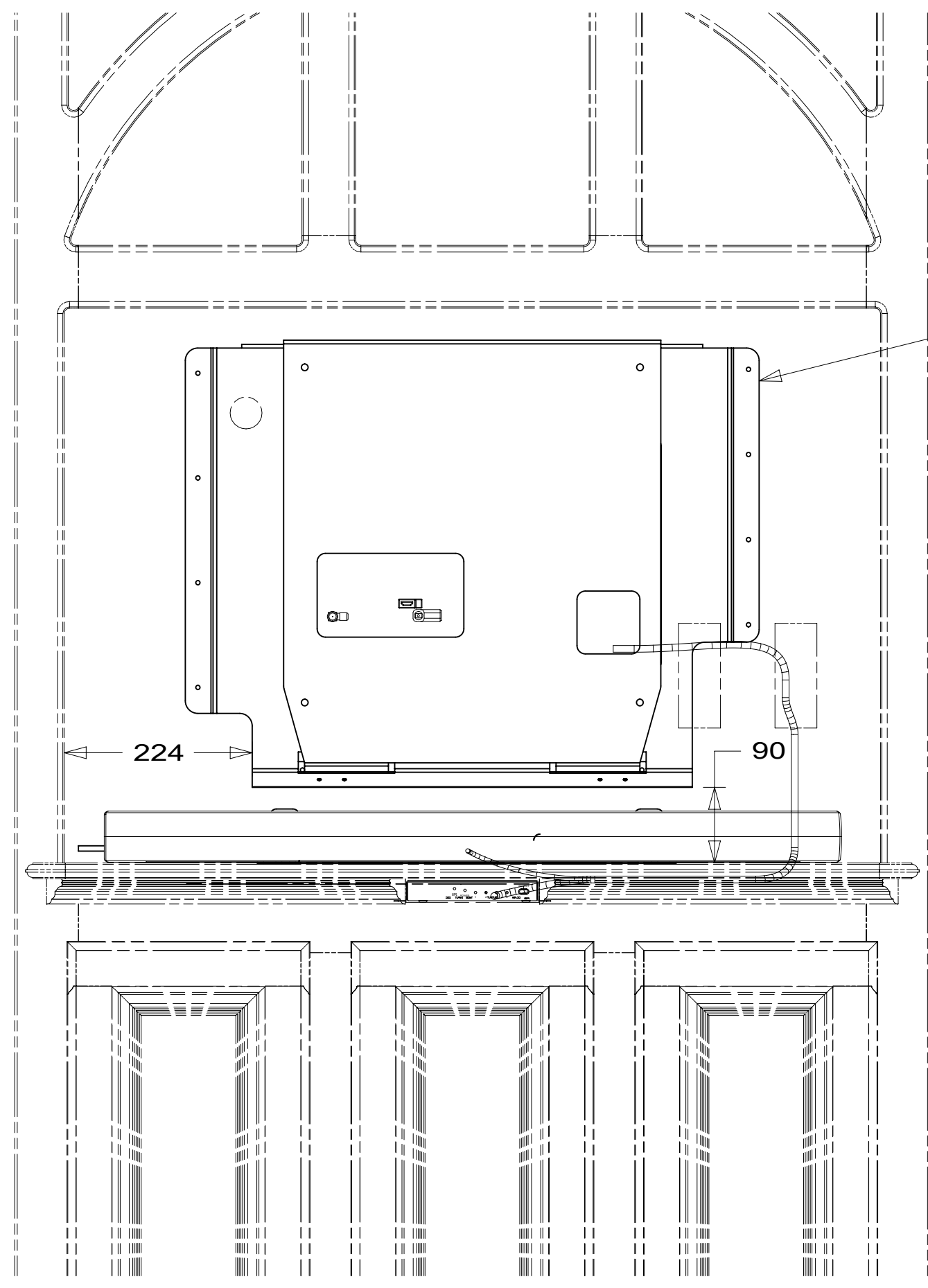
MATRIX-HDMI BALUN  
180504-07-000  
BRACKET  
180543-08-CHT  
SCREW  
G11-08-12U (2)



DETAIL CC

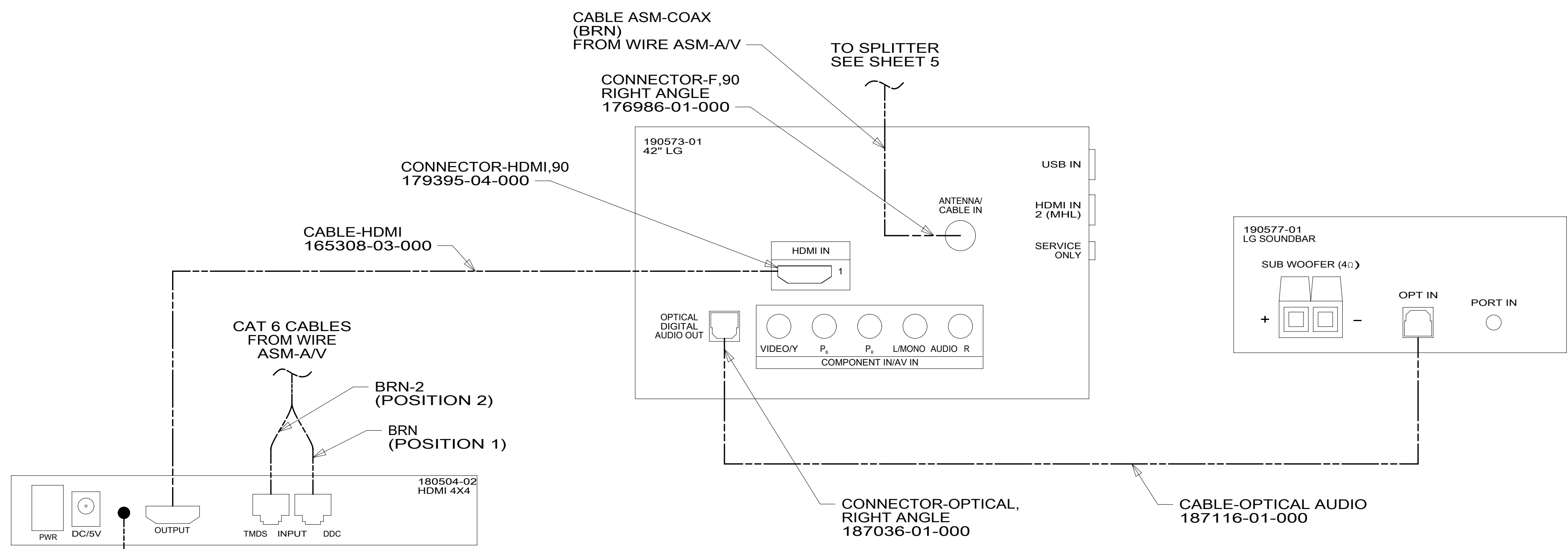
LEVEL BAR &  
ATTACH TO  
BATHWALL HERE

REST SOUNDBAR  
ON CABINET LIP



BRACKET-TV  
182334-05-CHT  
SCREW  
G11-08-12U (12)

VIEW CA  
(TV NOT SHOWN)



VIEW CB

265 CODES/STANDARDS-CSA/CMVSS  
1B1 CODES/STANDARDS USA

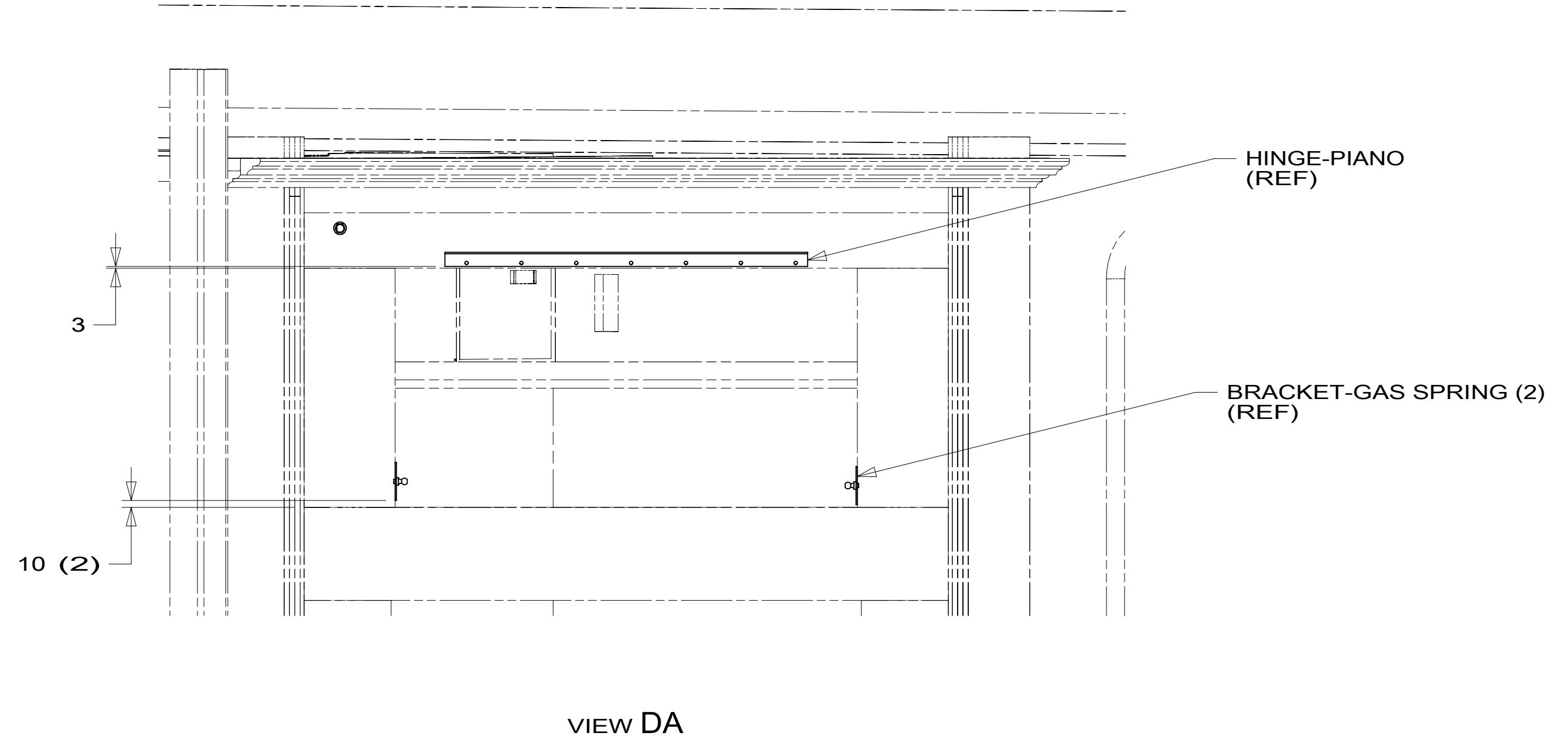
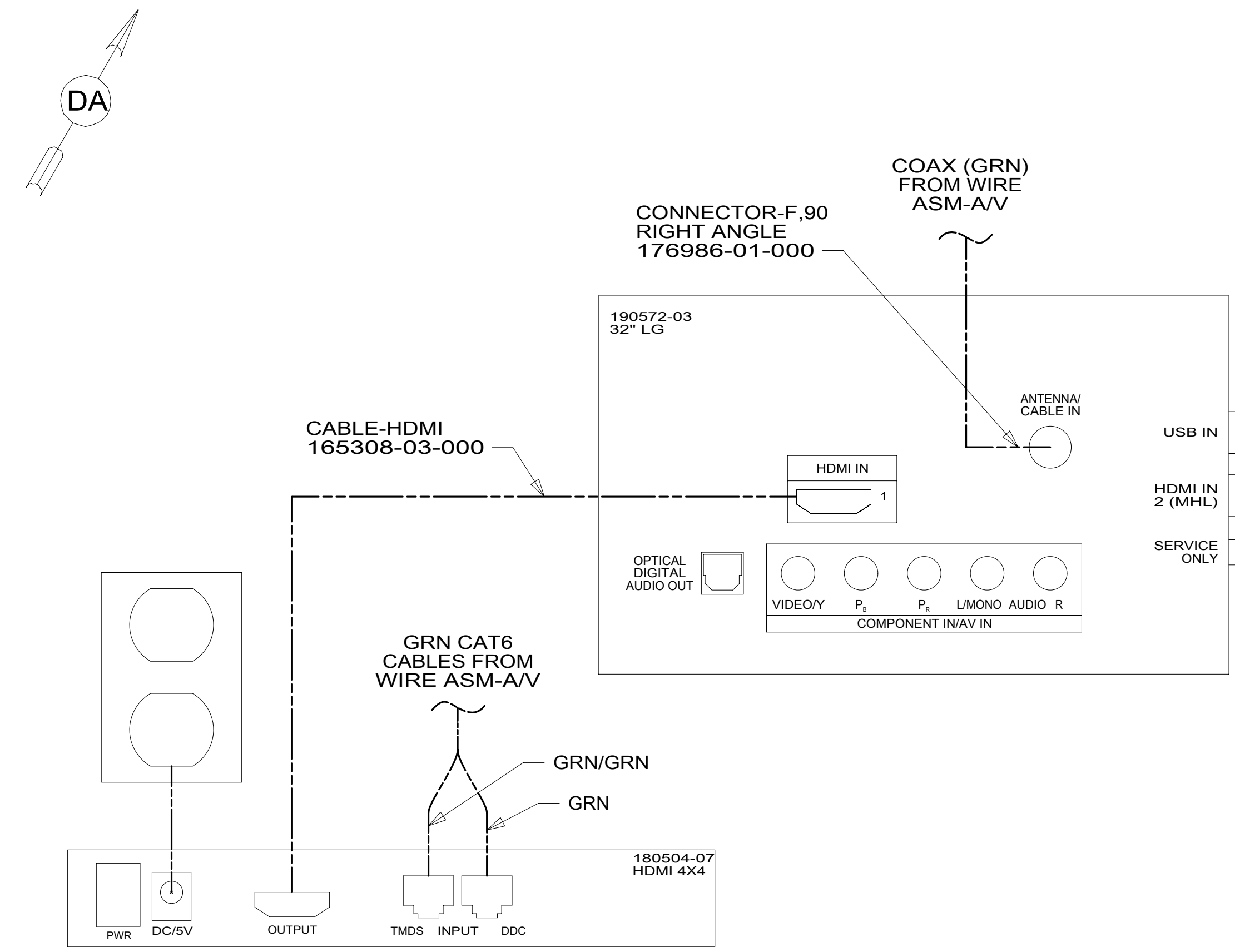
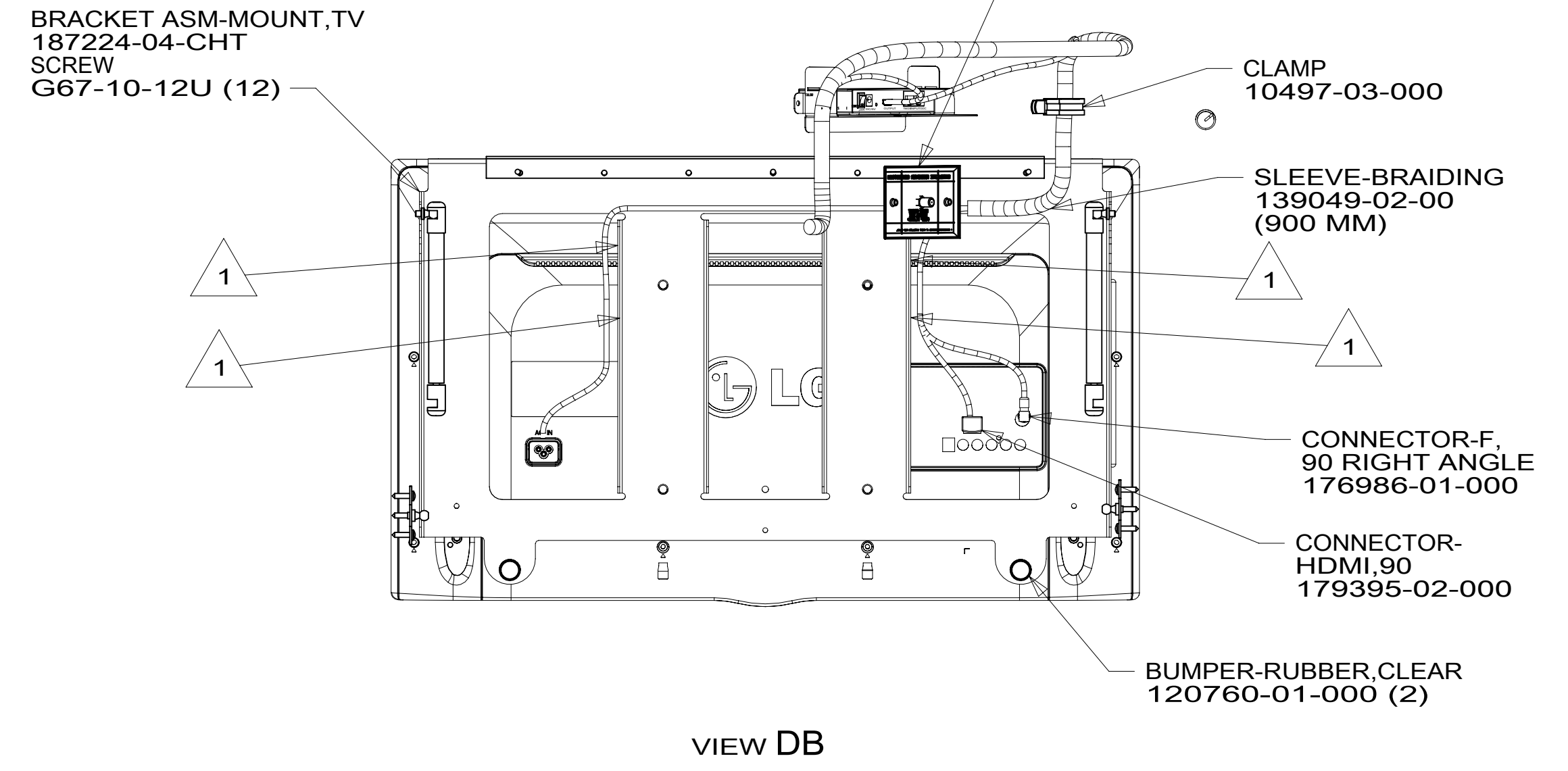
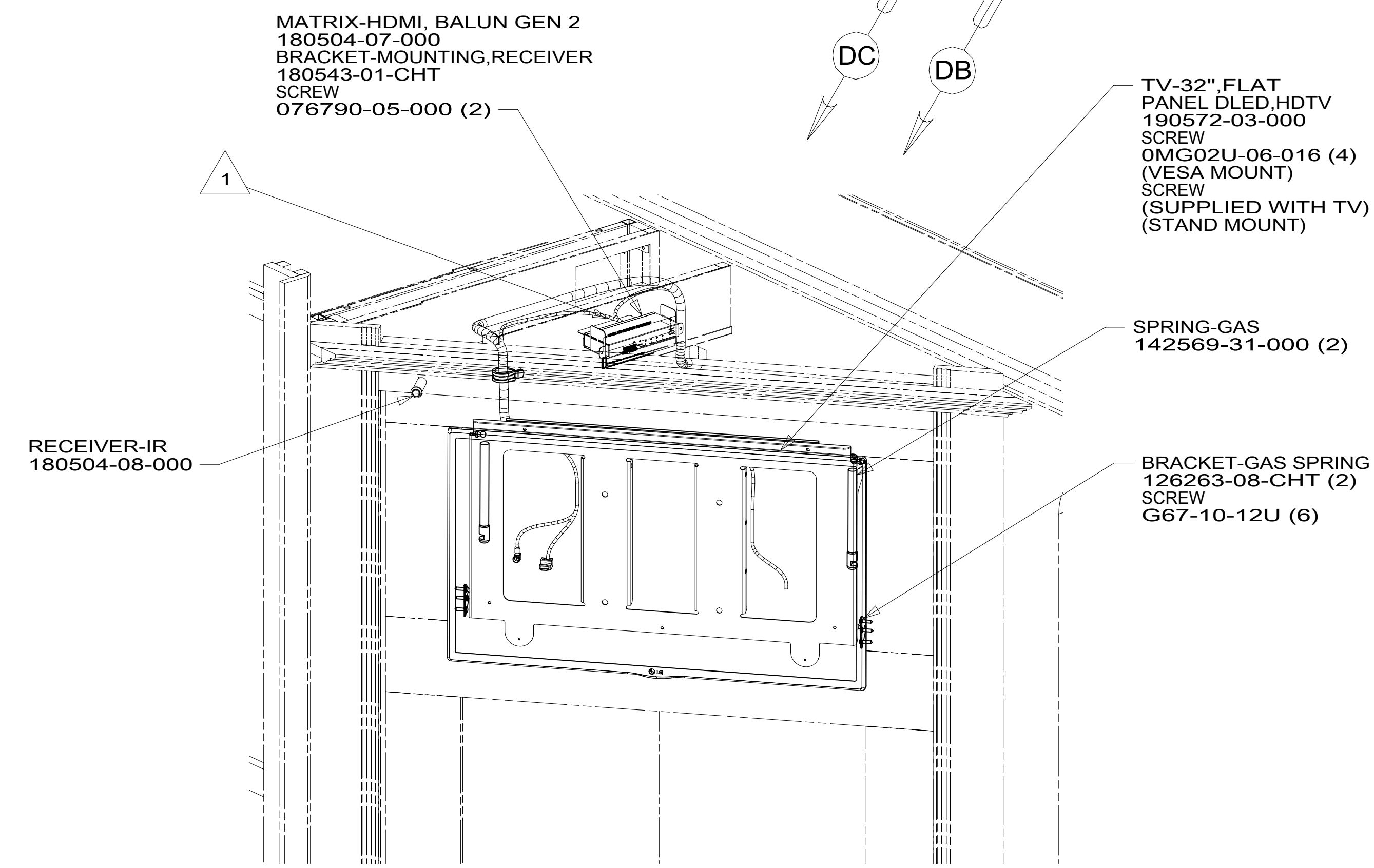
1B1 265

FIRST USED	
<b>15 P-SERIES</b>	
DO NOT SCALE DRAWING	
TITLE: <b>WIRING INSTL-TV/DVD</b>	
SHEET 3	PART NO <b>187910</b> REV

FOR ELECTRICAL  
TORQUE  
SPECIFICATIONS  
SEE DWG NO.  
128783-01-000

FOR  
ELECTRICAL  
CALLOUTS  
SEE DWG NO.  
121339-01-000

\*187910\*



1 USE TIE-WIRE 8343-04-000 TO ATTACH WIRE ASM TO HOLES IN BRACKET OR BALUN BRACKET.

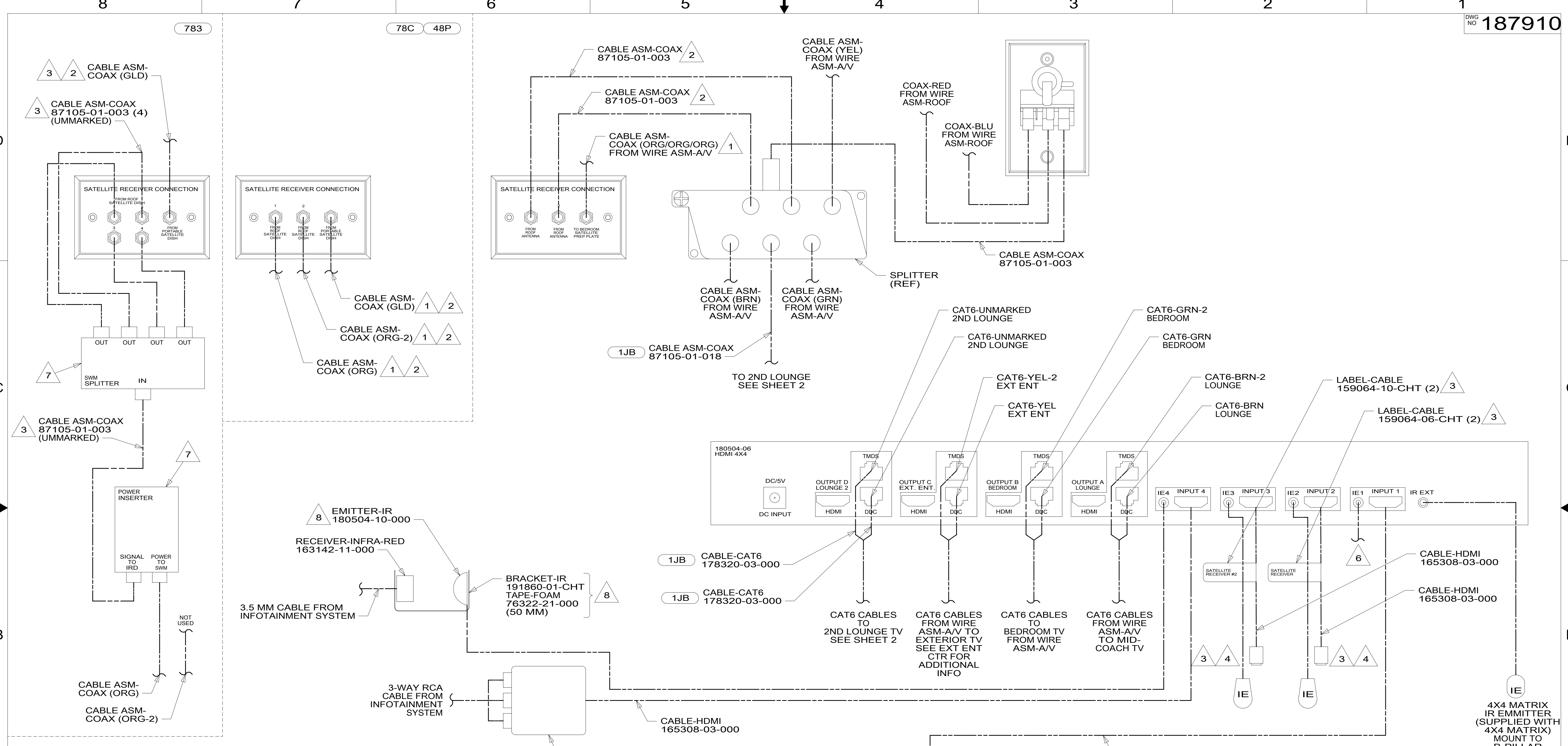
FOR ELECTRICAL TORQUE SPECIFICATIONS SEE DWG NO. 128783-01-000

FOR ELECTRICAL CALLOUTS SEE DWG NO. 121339-01-000

265 CODES/STANDARDS-CSA/CMVSS  
1B1 CODES/STANDARDS USA  
1B1 265

FIRST USED	
<b>15 P-SERIES</b>	
DO NOT SCALE DRAWING	
TITLE: <b>WIRING INSTL-TV/DVD</b>	
SHEET 4	PART NO <b>187910</b> REV

\*187910 A\*



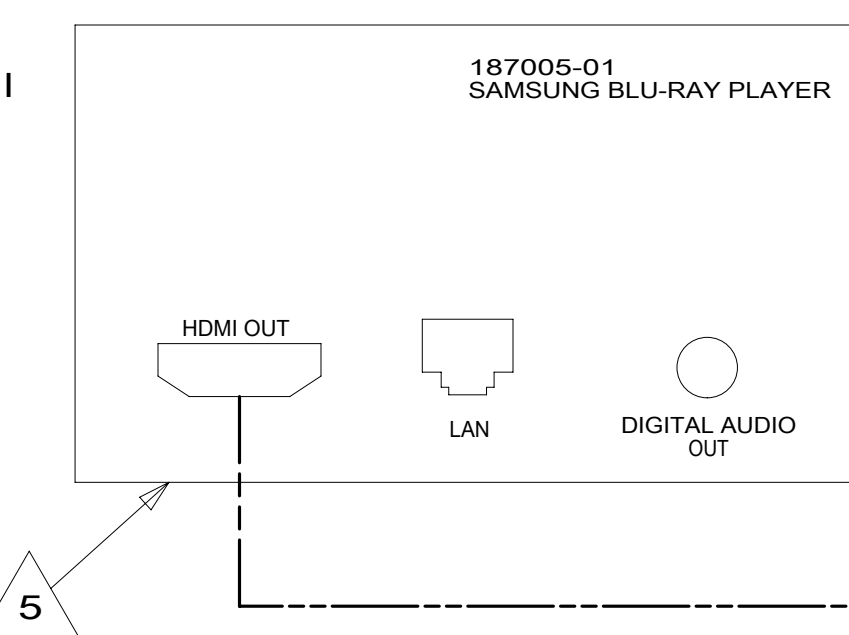
- NOTES:**
- 8 PLACE ABOVE 4X4 MATRIX.
  - 7 PARTS ARE SUPPLIED WITH INTERIOR CONTROL 183415-05-000.
  - 6 SEE SHEET 1 FOR I.E. PLACEMENT.
  - 5 SET DVD/BLU-RAY PLAYER FOR MAX VIDEO OUTPUT TO 1080i.
  - 4 COIL CABLE IN SATELLITE PREPARED FOR FUTURE USE.
  - 3 ATTACH LABEL 100 MM FROM EACH END OF CABLE AND 400 MM FROM THE END OF THE IR EMITTER CABLE.
  - 2 CABLE CONNECTS TO REAR SIDE OF PLATE.
  - 1 CABLE ROUTED IN ROOF.

- 783 SATELLITE HD TV SYSTEM AUTOC
- 78C SATELLITE SYSTEM READY
- 48P SAT TV SYSTEM IN-MOTION
- 265 CODES/STANDARDS-CSA/CMVSS
- 1B1 CODES/STANDARDS USA

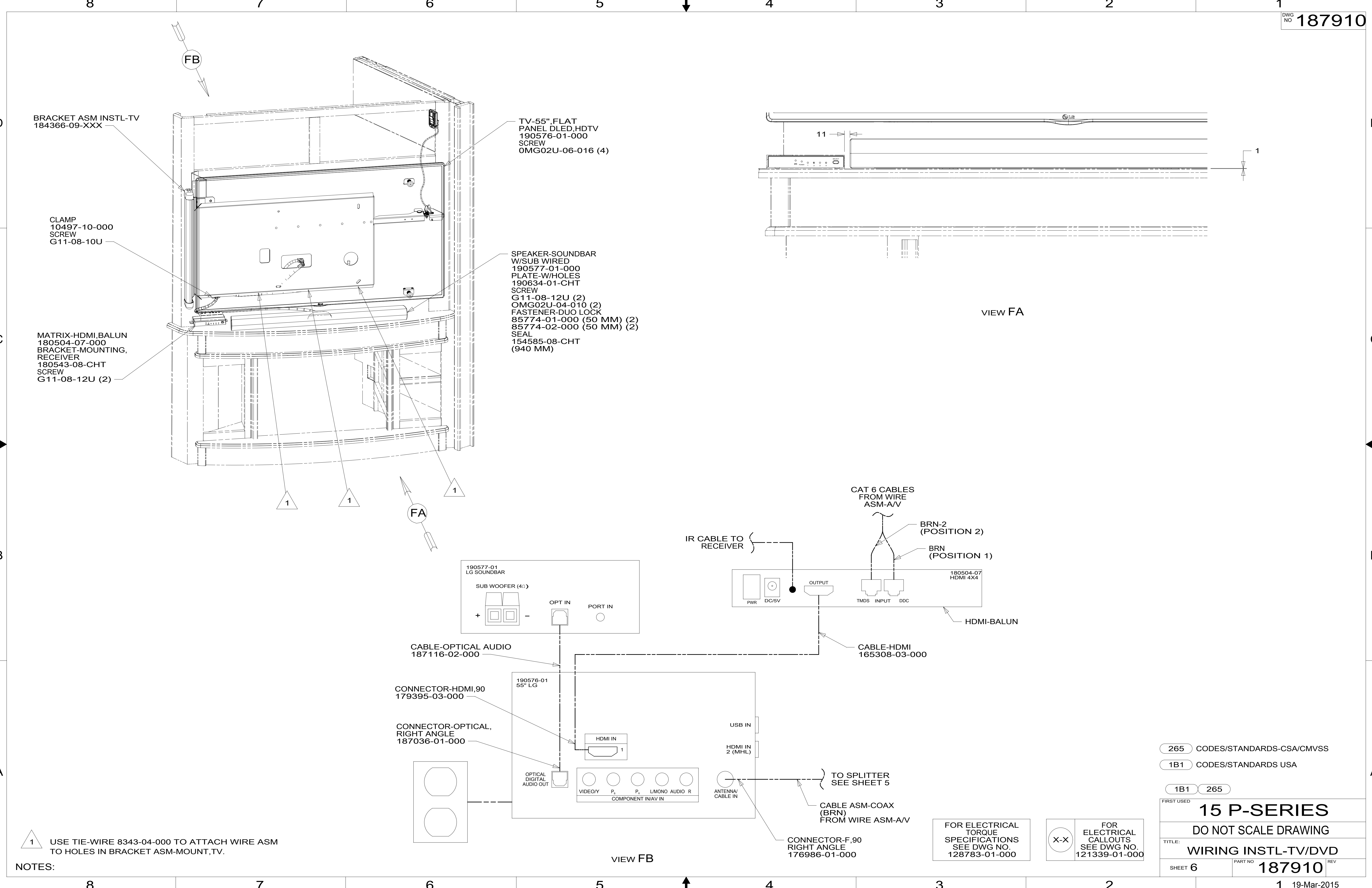
FIRST USED	
<b>15 P-SERIES</b>	
DO NOT SCALE DRAWING	
TITLE: <b>WIRING INSTL-TV/DVD</b>	
SHEET 5	PART NO <b>187910</b> REV
19-Mar-2015	

FOR ELECTRICAL TORQUE SPECIFICATIONS SEE DWG NO. 128783-01-000

FOR ELECTRICAL CALLOUTS SEE DWG NO. 121339-01-000



\*187910 A



BRACKET ASM INSTL-TV  
184366-09-XXX

CLAMP  
10497-10-000  
SCREW  
G11-08-10U

MATRIX-HDMI,BALUN  
180504-07-000  
BRACKET-MOUNTING,  
RECEIVER  
180543-08-CHT  
SCREW  
G11-08-12U (2)

TV-55",FLAT  
PANEL DLED,HDTV  
190576-01-000  
SCREW  
OMG02U-06-016 (4)

SPEAKER-SOUNDBAR  
W/SUB WIRED  
190577-01-000  
PLATE-W/HOLES  
190634-01-CHT  
SCREW  
G11-08-12U (2)  
OMG02U-04-010 (2)  
FASTENER-DUO LOCK  
85774-01-000 (50 MM) (2)  
85774-02-000 (50 MM) (2)  
SEAL  
154585-08-CHT  
(940 MM)

VIEW FA

VIEW FB

1 USE TIE-WIRE 8343-04-000 TO ATTACH WIRE ASM TO HOLES IN BRACKET ASM-MOUNT,TV.

NOTES:

IR CABLE TO RECEIVER

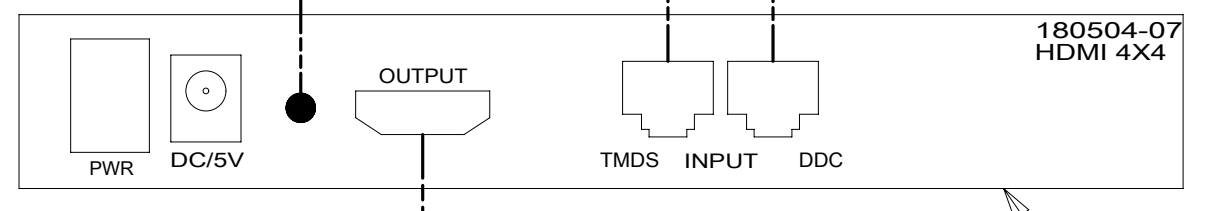
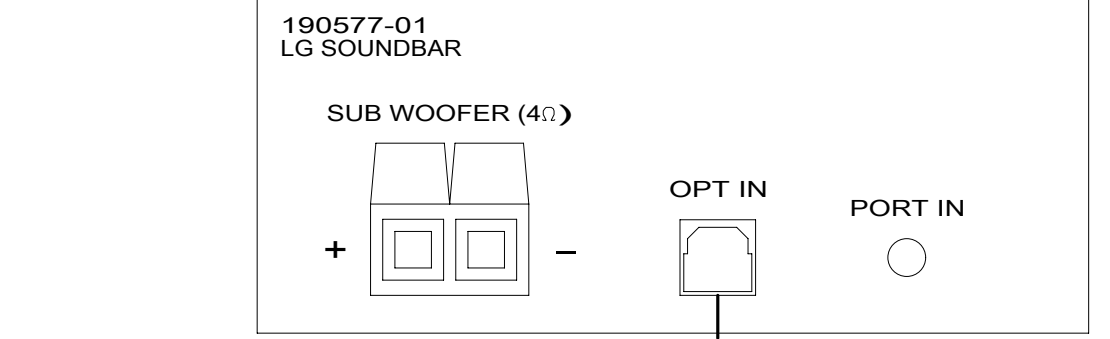
CAT 6 CABLES FROM WIRE ASM-A/V

BRN-2 (POSITION 2)

BRN (POSITION 1)

180504-07 HDMI 4X4

HDMI-BALUN

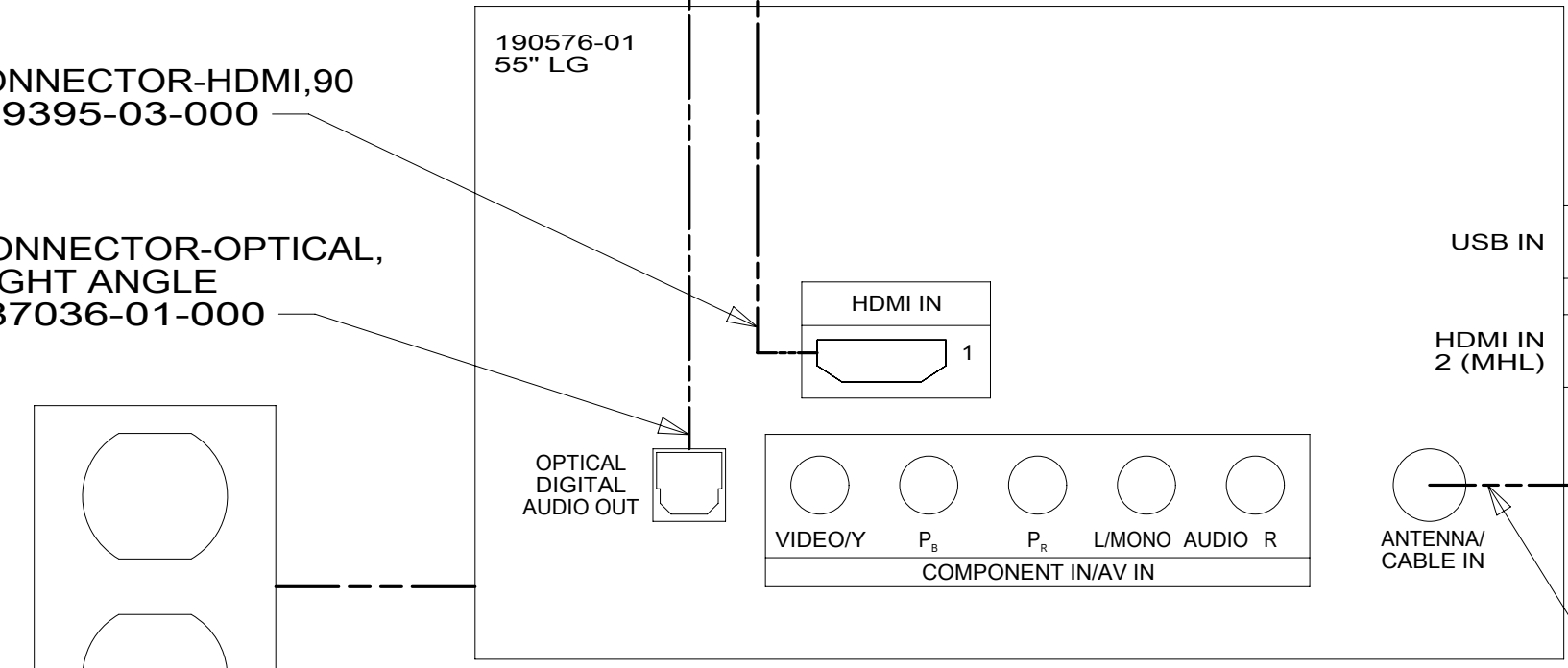


CABLE-OPTICAL AUDIO  
187116-02-000

CABLE-HDMI  
165308-03-000

CONNECTOR-HDMI,90  
179395-03-000

CONNECTOR-OPTICAL,  
RIGHT ANGLE  
187036-01-000



TO SPLITTER  
SEE SHEET 5

CABLE ASM-COAX (BRN)  
FROM WIRE ASM-A/V

CONNECTOR-F,90  
RIGHT ANGLE  
176986-01-000

265 CODES/STANDARDS-CSA/CMVSS

1B1 CODES/STANDARDS USA

1B1 265

FIRST USED **15 P-SERIES**

DO NOT SCALE DRAWING

TITLE: **WIRING INSTL-TV/DVD**

SHEET 6 PART NO **187910** REV

FOR ELECTRICAL TORQUE SPECIFICATIONS SEE DWG NO. 128783-01-000

FOR ELECTRICAL CALLOUTS SEE DWG NO. 121339-01-000

\*187910\*

MATRIX-HDMI,BALUN GEN 2  
180504-07-000  
BRACKET-MOUNTING,RECEIVER  
180543-03-CHT  
SCREW  
076790-05-000 (2)

TV-32",FLAT  
PANEL DLED,HDTV  
190572-03-000  
SCREW  
0MG02U-06-016 (4)

BRACKET ASM-MOUNT,TV  
187224-03-CHT  
SCREW  
G67-10-12U (12)

CLAMP  
10497-03-000

SLEEVE-BRAIDING  
139049-02-00  
(900 MM)

CONNECTOR-F,  
90 RIGHT ANGLE  
176986-01-000

CONNECTOR-  
HDMI,90  
179395-02-000

VIEW GC

SPRING-GAS  
142569-32-000 (2)

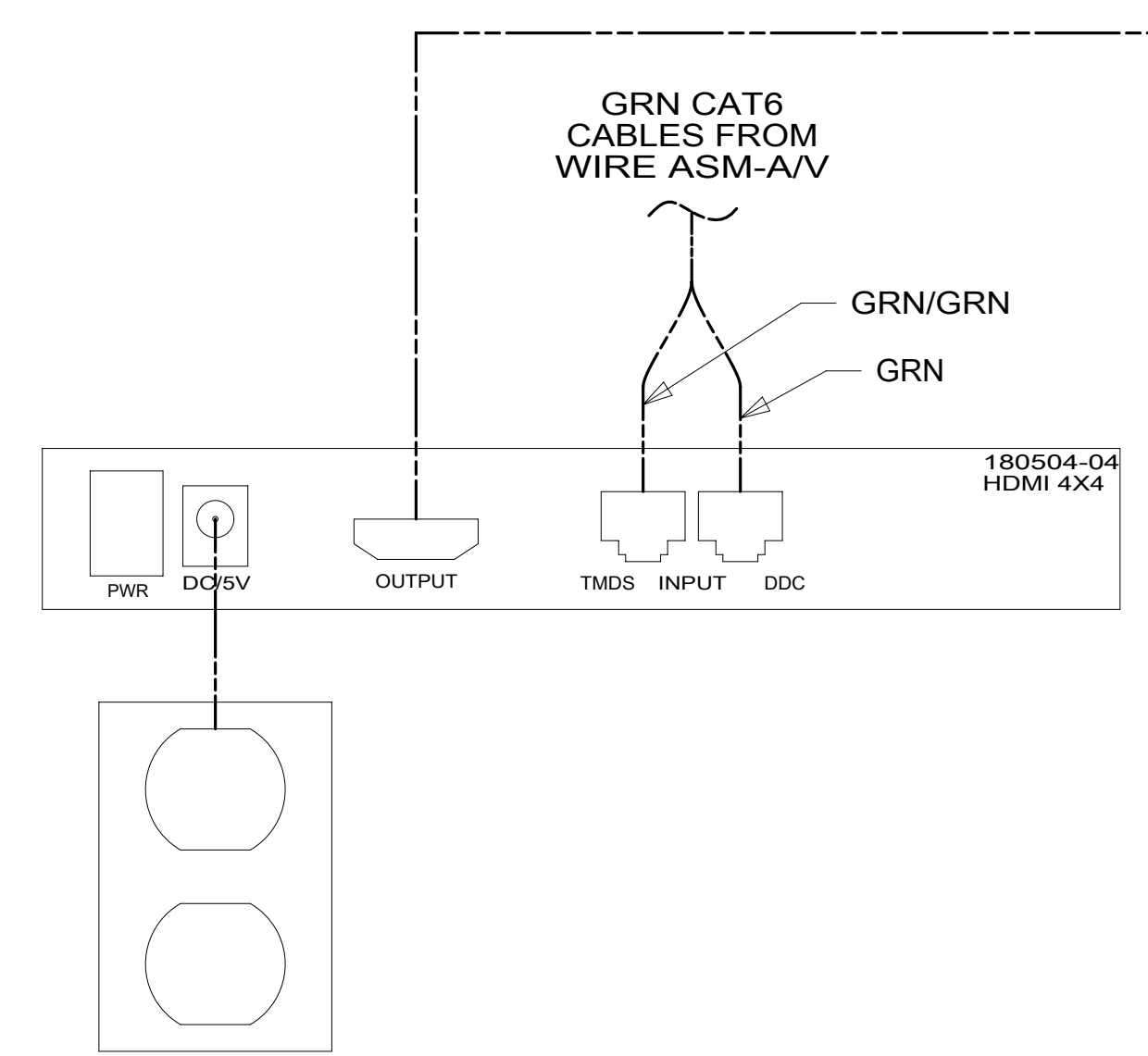
BRACKET-GAS SPRING  
126263-08-CHT (2)  
SCREW  
G67-10-12U (6)

HINGE-PIANO  
(REF)

BRACKET-GAS SPRING (2)  
(REF)

VIEW GA  
(TV NOT SHOWN)

DOOR ASM-TV  
(REF)



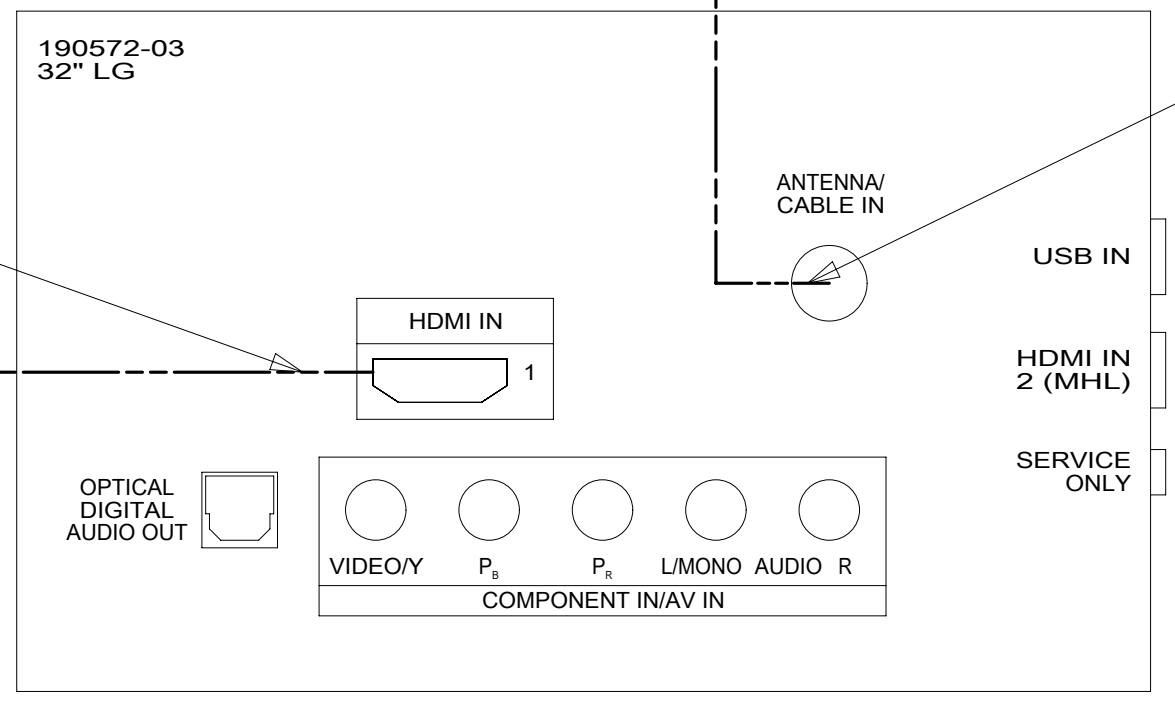
DETAIL GB

COAX (GRN)  
FROM WIRE ASM-A/V

CABLE-HDMI  
165308-03-000

CONNECTOR-HDMI,90  
179395-02-000

CONNECTOR-F,90  
RIGHT ANGLE  
176986-01-000



1 USE TIE-WIRE 8343-04-000 TO ATTACH WIRE ASM TO HOLES IN BRACKET ASM-MOUNT,TV.

NOTES:

FOR ELECTRICAL TORQUE SPECIFICATIONS SEE DWG NO. 128783-01-000

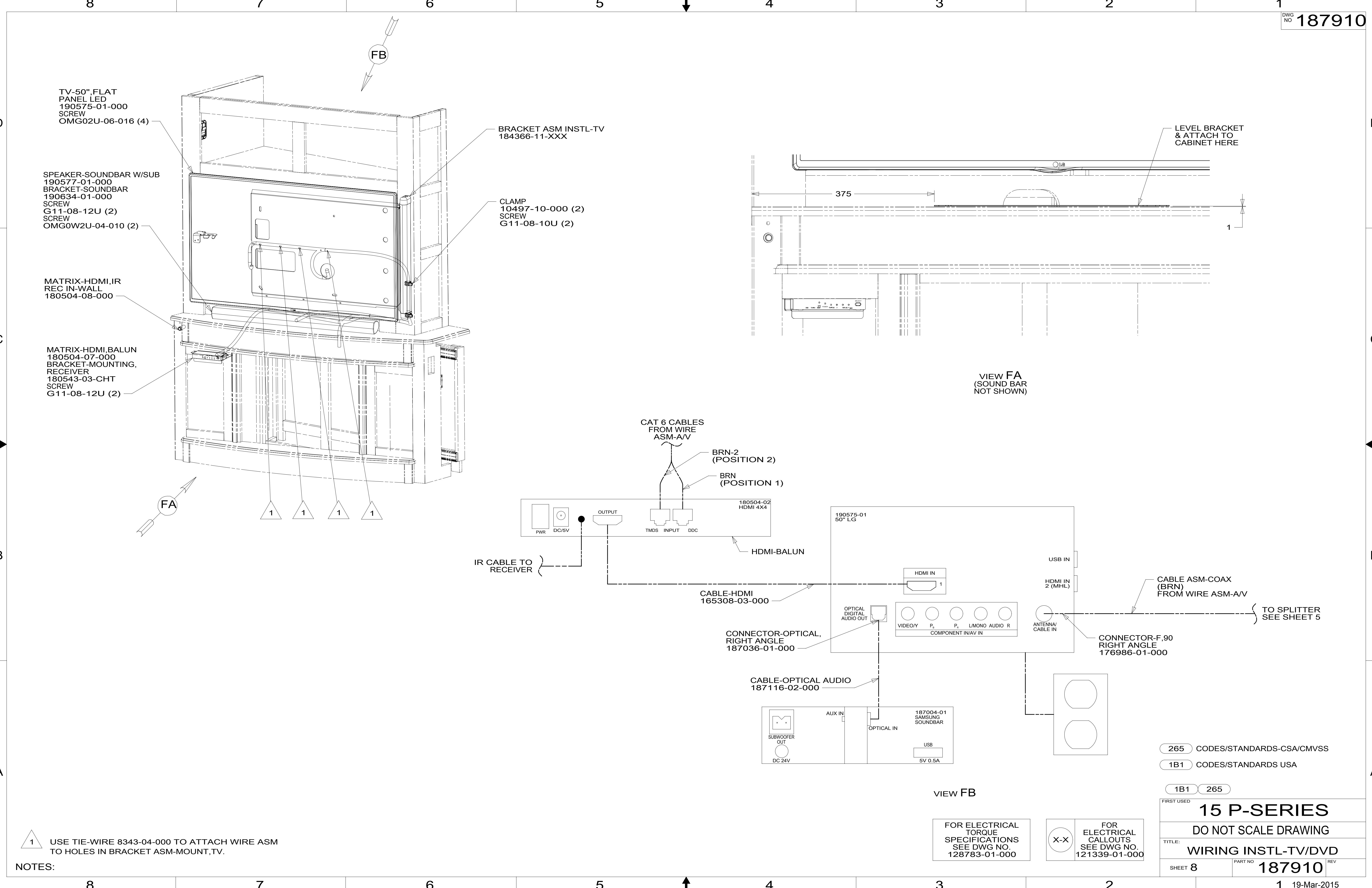
FOR ELECTRICAL CALLOUTS SEE DWG NO. 121339-01-000

265 CODES/STANDARDS-CSA/CMVSS  
1B1 CODES/STANDARDS USA  
1B1 265

FIRST USED	
<b>15 P-SERIES</b>	
DO NOT SCALE DRAWING	
TITLE: <b>WIRING INSTL-TV/DVD</b>	
SHEET 7	PART NO <b>187910</b> REV
19-Mar-2015	

\*187910\*





TV-50" FLAT  
PANEL LED  
190575-01-000  
SCREW  
OMG02U-06-016 (4)

BRACKET ASM INSTL-TV  
184366-11-XXX

LEVEL BRACKET  
& ATTACH TO  
CABINET HERE

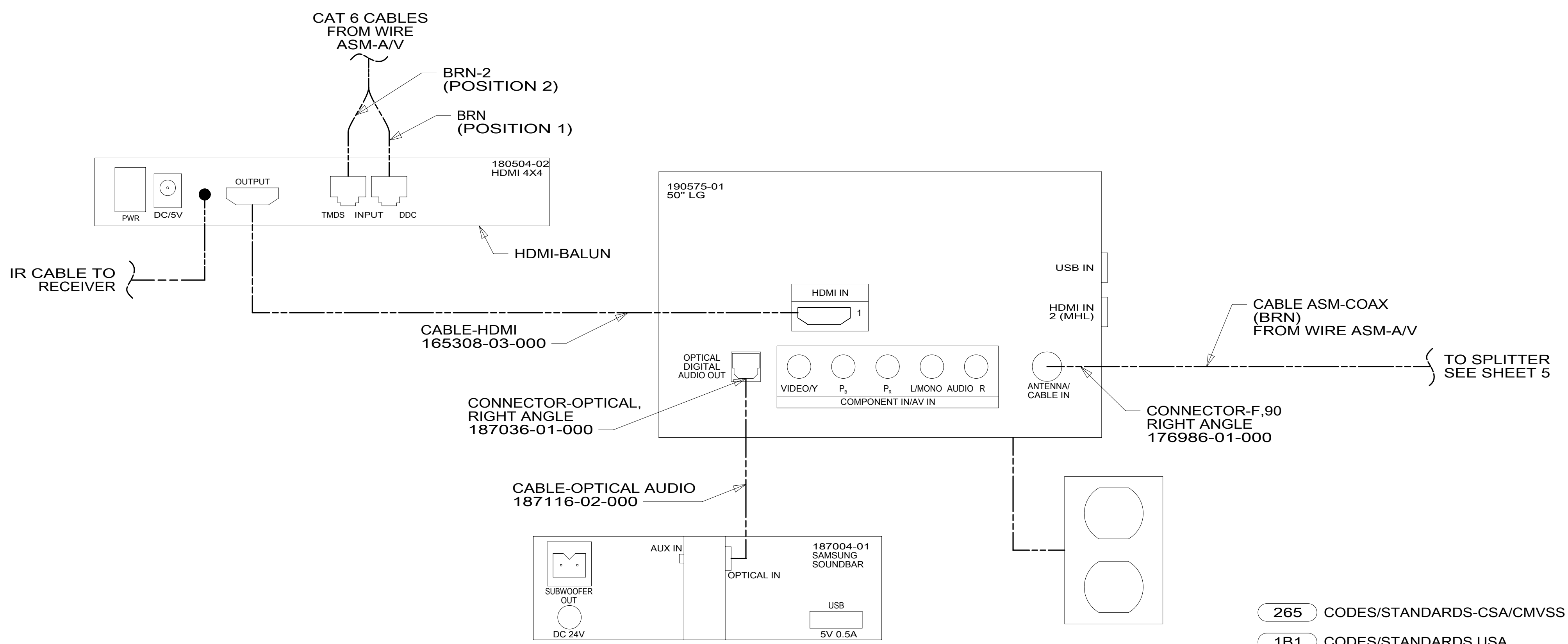
SPEAKER-SOUNDBAR W/SUB  
190577-01-000  
BRACKET-SOUNDBAR  
190634-01-000  
SCREW  
G11-08-12U (2)  
SCREW  
OMG0W2U-04-010 (2)

CLAMP  
10497-10-000 (2)  
SCREW  
G11-08-10U (2)

MATRIX-HDMI,IR  
REC IN-WALL  
180504-08-000

MATRIX-HDMI,BALUN  
180504-07-000  
BRACKET-MOUNTING,  
RECEIVER  
180543-03-CHT  
SCREW  
G11-08-12U (2)

VIEW FA  
(SOUND BAR  
NOT SHOWN)



VIEW FB

1 USE TIE-WIRE 8343-04-000 TO ATTACH WIRE ASM TO HOLES IN BRACKET ASM-MOUNT,TV.

FOR ELECTRICAL TORQUE SPECIFICATIONS SEE DWG NO. 128783-01-000

FOR ELECTRICAL CALLOUTS SEE DWG NO. 121339-01-000

265 CODES/STANDARDS-CSA/CMVSS  
1B1 CODES/STANDARDS USA

1B1	265
FIRST USED	
<b>15 P-SERIES</b>	
DO NOT SCALE DRAWING	
TITLE: <b>WIRING INSTL-TV/DVD</b>	
SHEET 8	PART NO <b>187910</b> REV
19-Mar-2015	

\*187910\*