



**DANGER**

**Danger of electrical shock, burns or death.** Always remove all power sources before attempting any repair, service or diagnostic work. Power can be present from shore power, generator, inverter or battery. All power sources must be disabled and secured before performing any service.

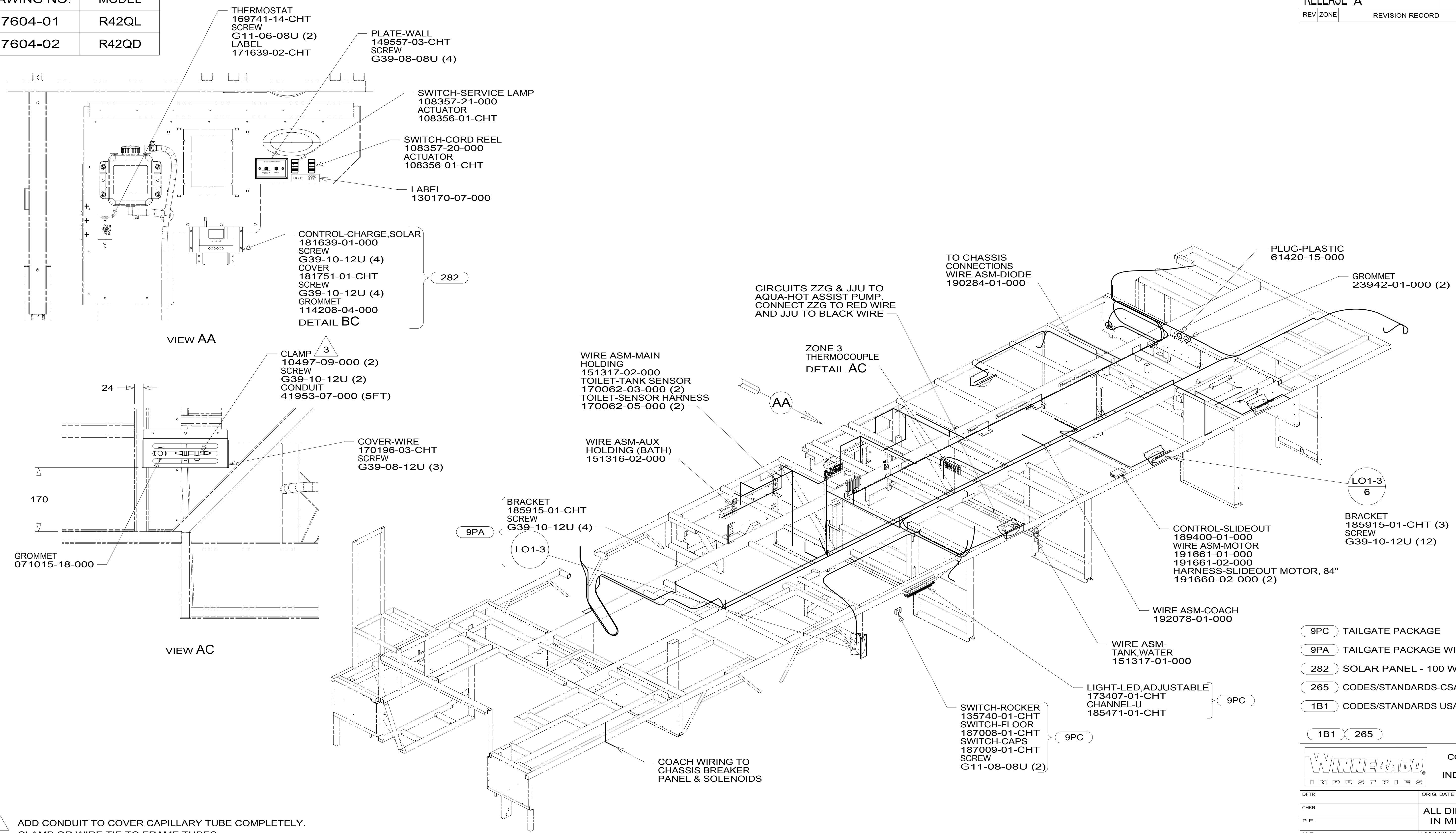


**CAUTION**

If you lack the skills, tools or equipment to perform diagnostic or repair work leave such work to an authorized Winnebago Industries dealer or other qualified shop.

DRAWING NO.	MODEL
187604-01	R42QL
187604-02	R42QD

RELEASE	REV/DATE	DWG NO	187604
REV ZONE	REVISION RECORD	DATE	DFT-ORIG



- 3 ADD CONDUIT TO COVER CAPILLARY TUBE COMPLETELY. CLAMP OR WIRE TIE TO FRAME TUBES.
2. ROUTE TANK SENSOR WIRES SO THEY DO NOT PASS OVER SENSORS. USE WIRE TIE MOUNT 155366-01-000 AND WIRE TIE 8343-01-000 AS NEEDED. TANK SURFACE MUST BE CLEANED USING ISOPROPYL ALCOHOL AND PRIMED WITH PRIMER 94.
1. AT MINIMUM ALL WIRES TO BE SUPPORTED AND SECURED PER CODE REQUIREMENTS. USE CLAMP 10495 OR 10497 OR WIRE TIE 8343 OR 108046 AND SCREW G67-XX-XXX OR G56-XX-XXX AS APPROPRIATE FOR INSTALLATION.

- 9PC TAILGATE PACKAGE
- 9PA TAILGATE PACKAGE WITHOUT
- 282 SOLAR PANEL - 100 WATT
- 265 CODES/STANDARDS-CSA/CMVSS
- 1B1 CODES/STANDARDS USA

1B1 265

**WINNEBAGO** COPYRIGHT 2014 WINNEBAGO INDUSTRIES, INC.

DFT-ORIG	ORIG. DATE
CHKR	ALL DIMENSIONS ARE IN MILLIMETERS
P.E.	
M.E.	FIRST USED
DSNR	<b>15 R42QL</b>

UNSPECIFIED TOLERANCES ARE:

WHOLE DIM (X)	: 3
ONE-PLACE (X.X)	: 1.5
TWO-PLACE (X.XX)	: 0.50
ANGLE	: 1°

THIRD ANGLE PROJECTION

DO NOT SCALE DRAWING REFER TO ES0018 FOR FASTENER TIGHTENING GUIDELINES

TITLE: **WIRING INSTL-BODY, 12V**

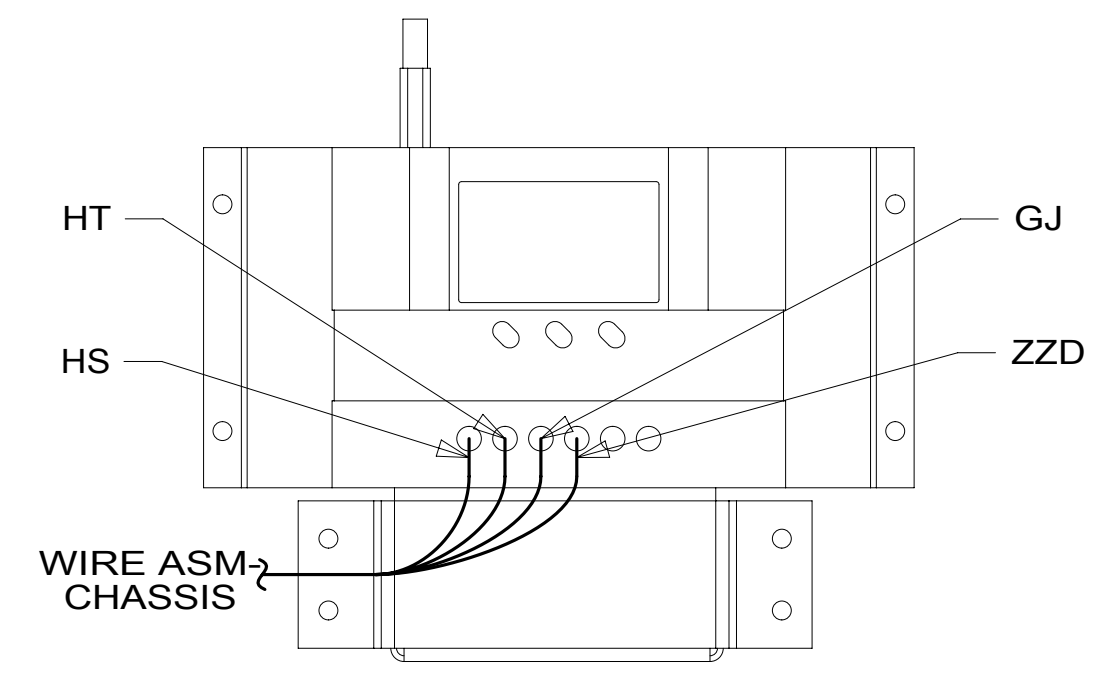
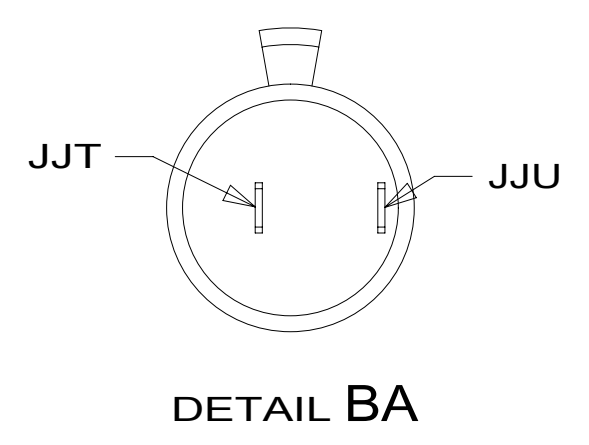
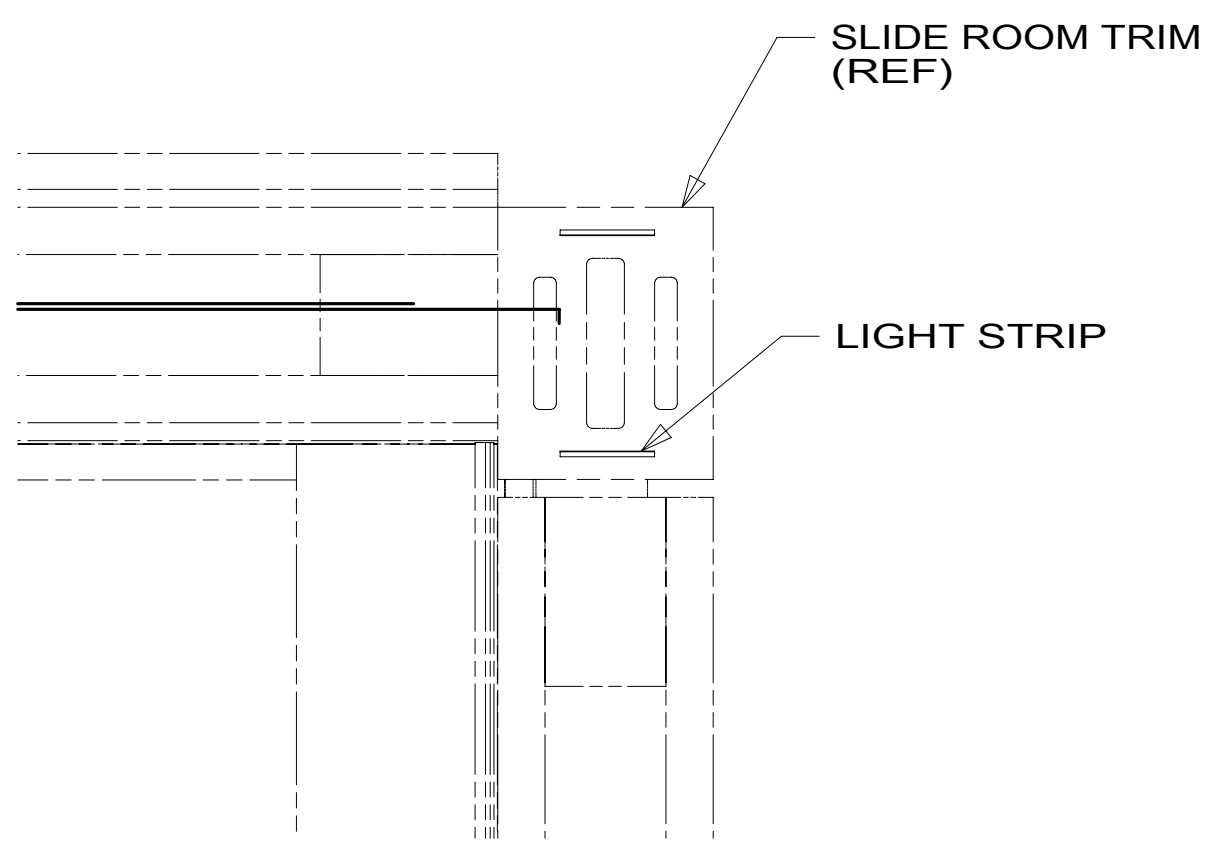
SHEET **1** OF **9** PART NO **187604** REV

REF: **1** 20-Oct-2015

FOR ELECTRICAL TORQUE SPECIFICATIONS SEE DWG NO. 128783-01-000

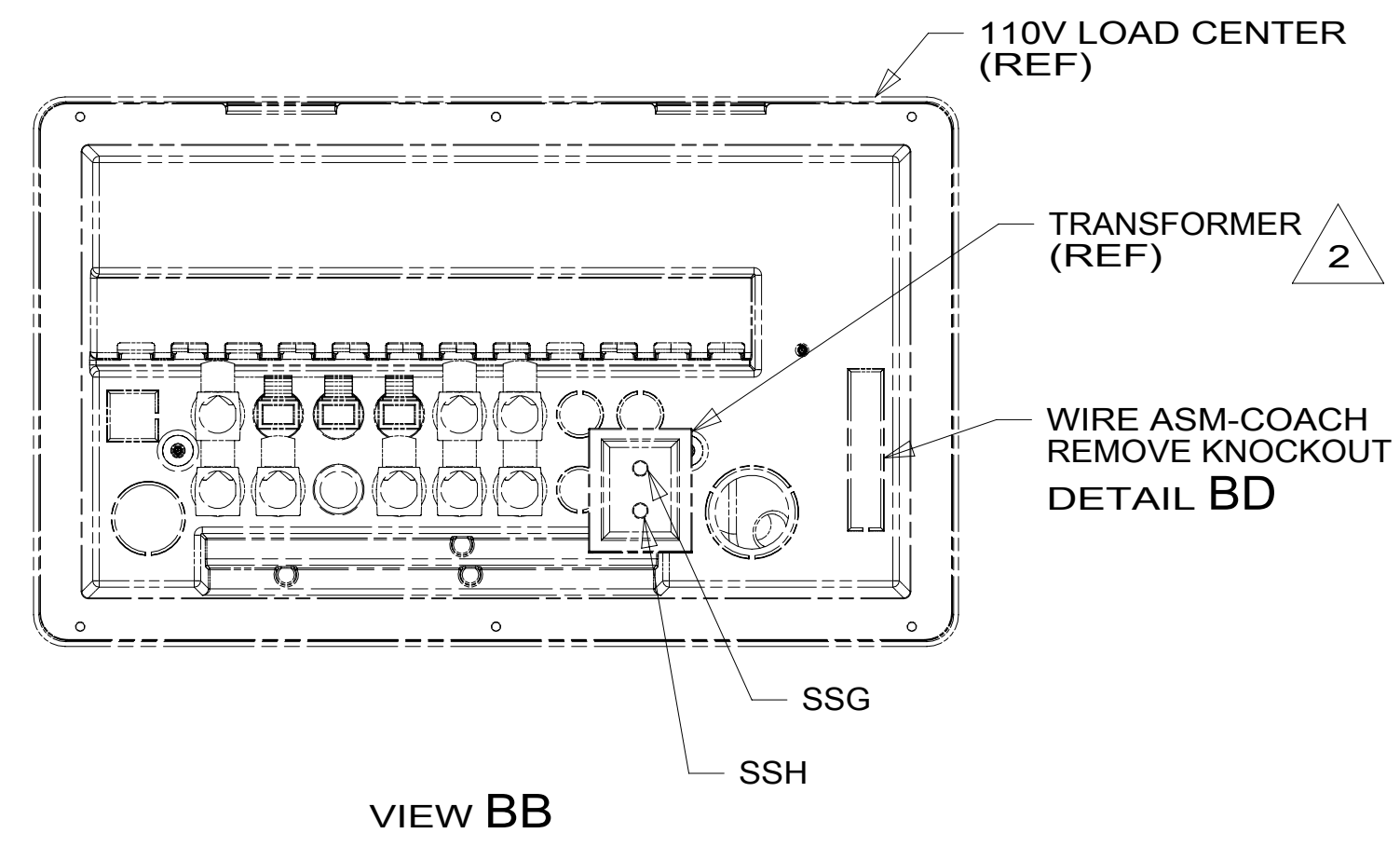
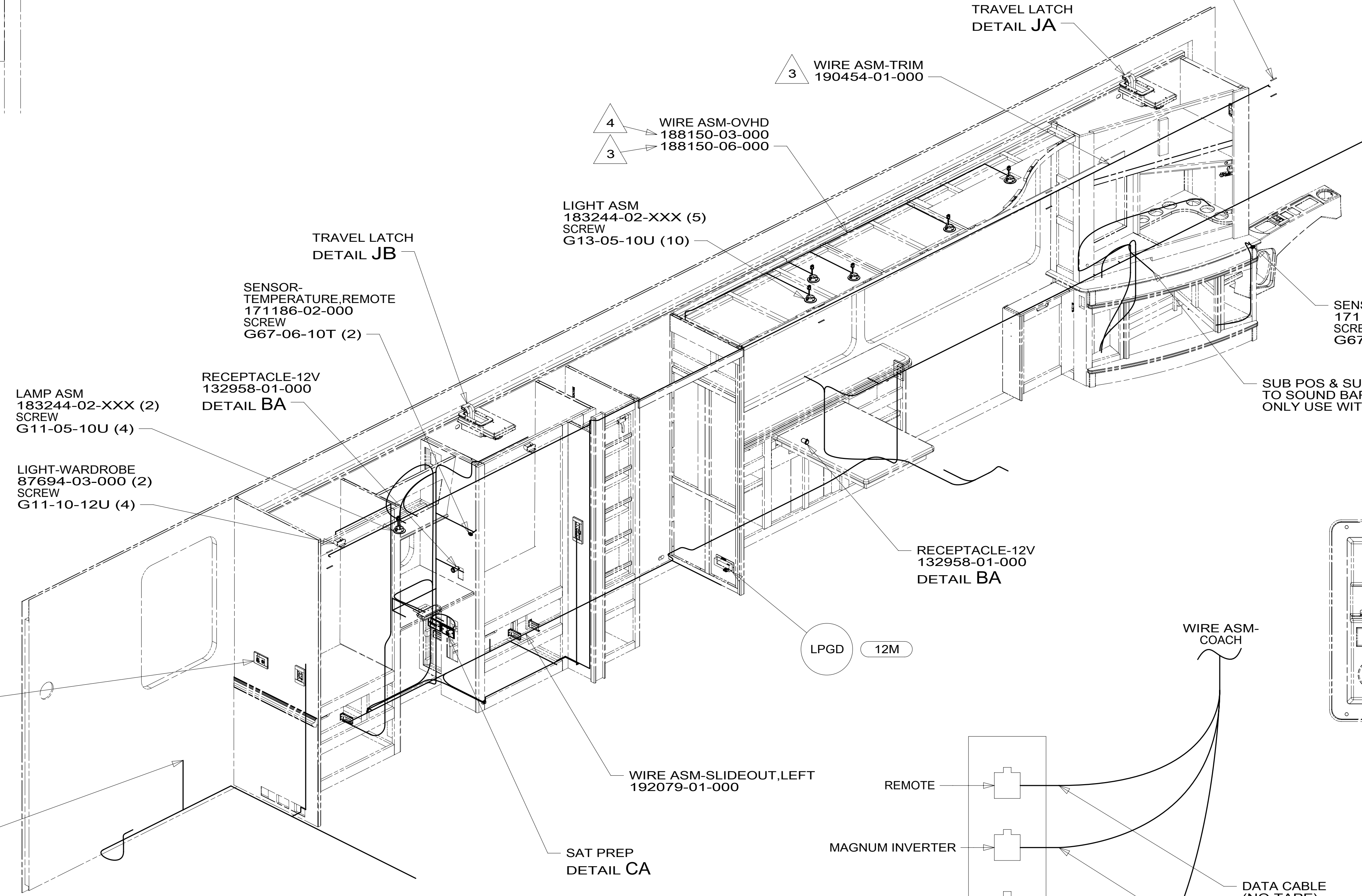
FOR ELECTRICAL CALLOUTS SEE DWG NO. 121339-01-000

\*187604\*

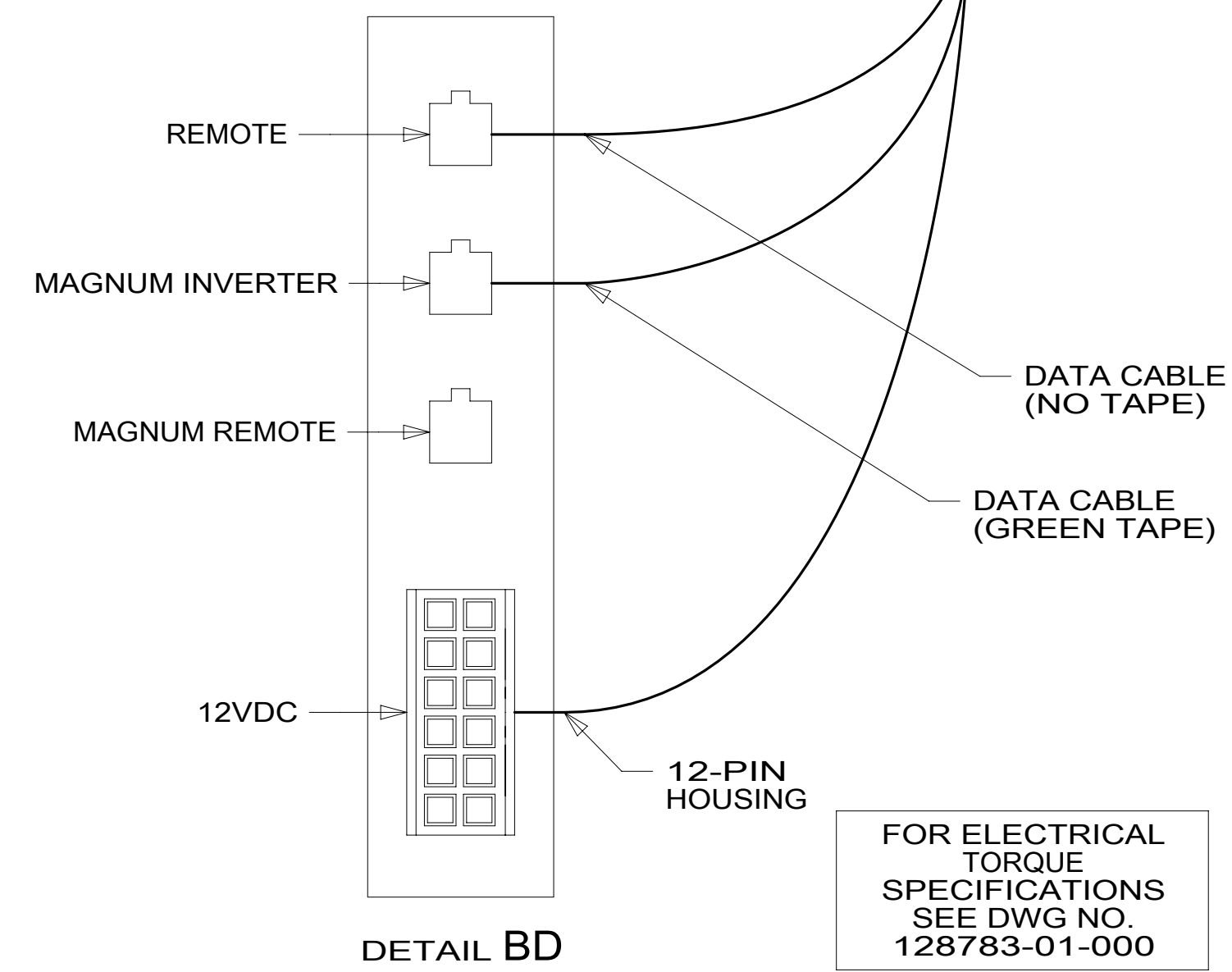


VIEW BE

VIEW BC



VIEW BB



DETAIL BD

- 4 R42QL ONLY.
- 3 R42QD ONLY.
- 2 SEE LOAD CENTER/ATS ASM FOR ADDITIONAL INFORMATION.

1. AT MINIMUM ALL WIRES TO BE SUPPORTED AND SECURED PER CODE REQUIREMENTS. USE CLAMP 10495 OR 10497 OR WIRE TIE 8343 OR 108046 AND SCREW G67-XX-XXX OR G56-XX-XXX AS APPROPRIATE FOR INSTALLATION.

NOTES:

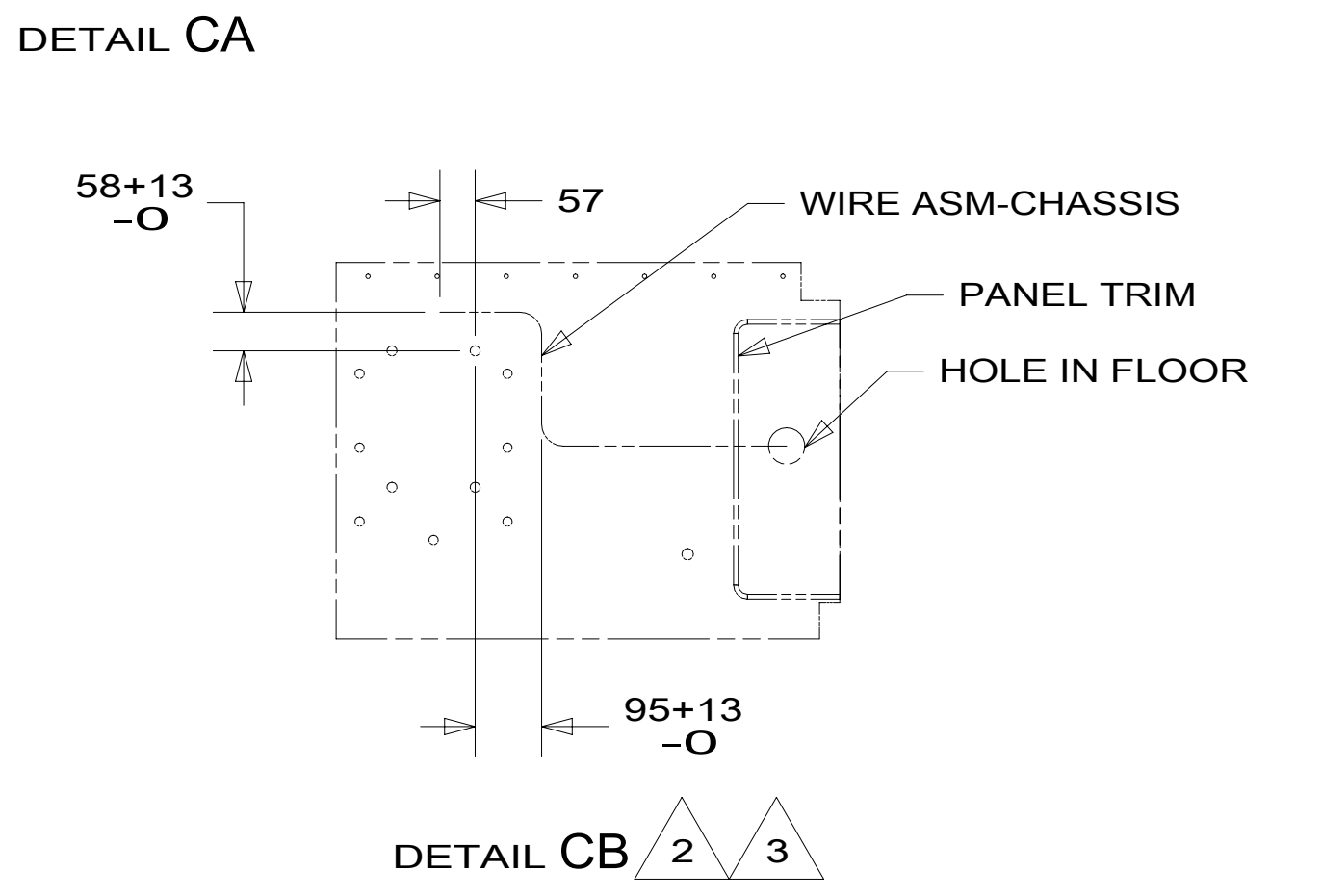
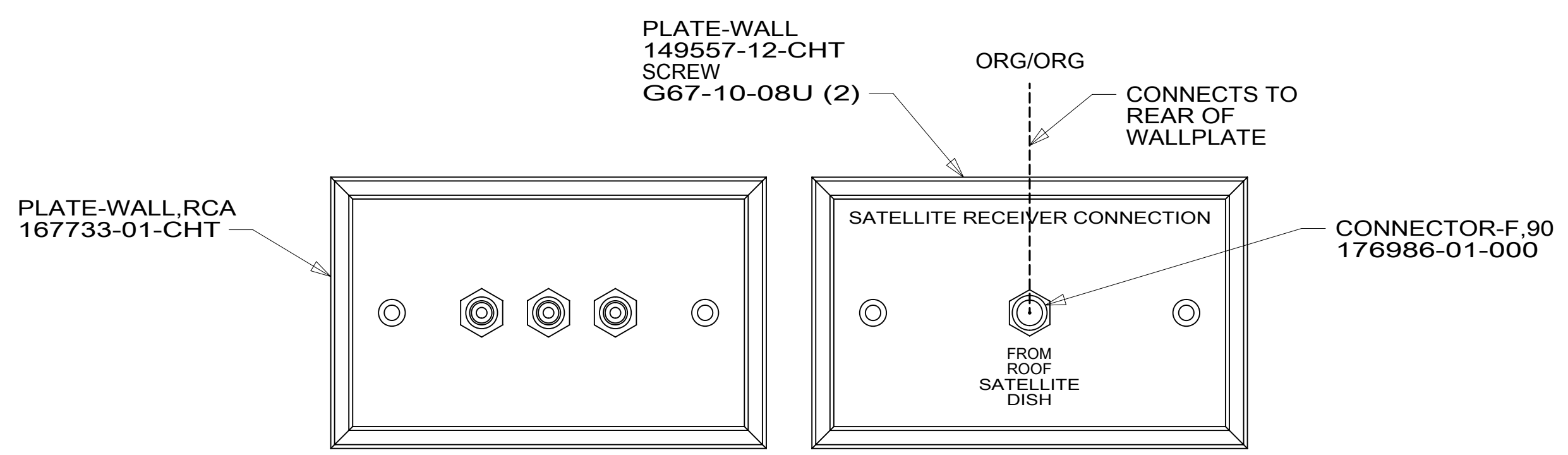
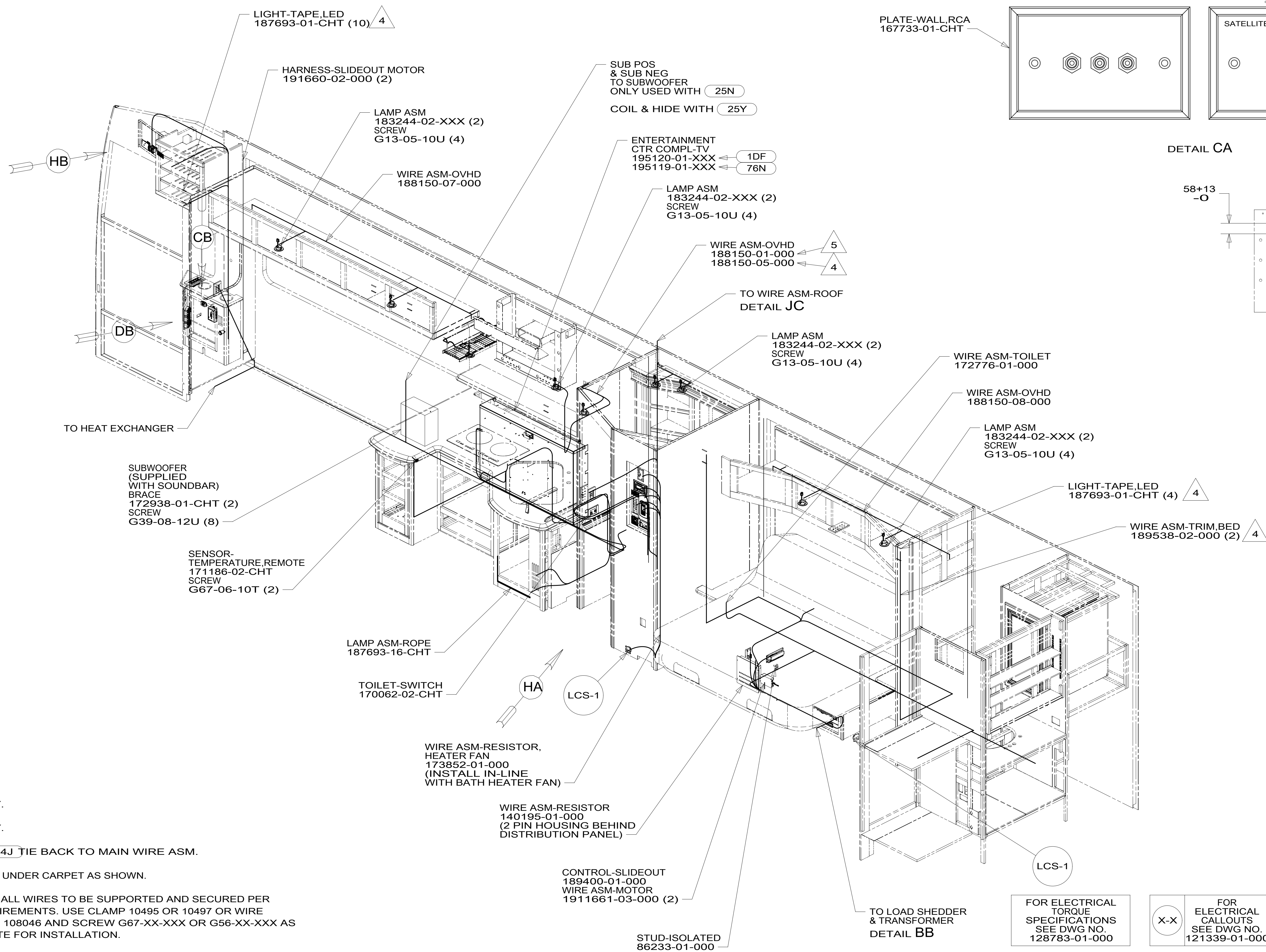
- 25N HOME THEATER SOUNDBAR SYSTEM
- 12M LPG SYSTEM
- 265 CODES/STANDARDS-CSA/CMVSS
- 1B1 CODES/STANDARDS USA

FIRST USED	
<b>15 R42QL</b>	
<b>DO NOT SCALE DRAWING</b>	
<b>TITLE: WIRING INSTL-BODY, 12V</b>	
SHEET 2	PART NO <b>187604</b> REV

FOR ELECTRICAL TORQUE SPECIFICATIONS SEE DWG NO. 128783-01-000

FOR ELECTRICAL CALLOUTS SEE DWG NO. 121339-01-000

\*187604\*



- 5 R42QL ONLY.
- 4 R42QD ONLY.
- 3 WITHOUT 64J TIE BACK TO MAIN WIRE ASM.
- 2 ROUTE WIRE UNDER CARPET AS SHOWN.

1. AT MINIMUM ALL WIRES TO BE SUPPORTED AND SECURED PER CODE REQUIREMENTS. USE CLAMP 10495 OR 10497 OR WIRE TIE 8343 OR 108046 AND SCREW G67-XX-XXX OR G56-XX-XXX AS APPROPRIATE FOR INSTALLATION.

- 76N EXT ENTERTAIN CTR-UPGRADE
- 25Y HOMETHEATER SOUNDBAR SYS-PRM
- 25N HOME THEATER SOUNDBAR SYSTEM
- 1DF EXT TV ENTERTAINMENT CENTER
- 64J SEAT PED-6-WAY DR/PASS POWER
- 265 CODES/STANDARDS-CSA/CMVSS
- 1B1 CODES/STANDARDS USA

FIRST USED	
<b>15 R42QL</b>	
<b>DO NOT SCALE DRAWING</b>	
<b>WIRING INSTL-BODY, 12V</b>	
SHEET 3	PART NO 187604
REV 20-Oct-2015	

FOR ELECTRICAL TORQUE SPECIFICATIONS SEE DWG NO. 128783-01-000

FOR ELECTRICAL CALLOUTS SEE DWG NO. 121339-01-000

\*187604 \*A

8 7 6 5 4 3 2 1

D

D

C

C

B

B

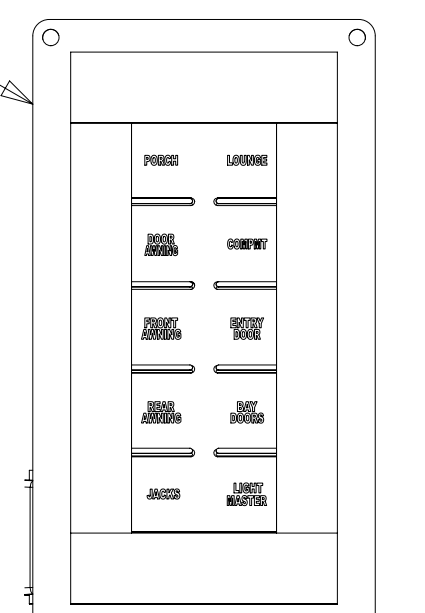
A

A

PLATE-SWITCH  
176859-08-CHT  
SCREW  
G11-08-12U (6)

SWITCH-CHASSIS  
BATT DISC  
174757-06-CHT  
WIRE ASM-THERMISTOR  
186796-01-000

PANEL-SWITCH  
MOUNTING,3-WAY  
174834-02-CHT



DETAIL DA  
(R42QL)

AWNING KEYPAD  
(REF)

SWITCH-ENTRY STEP  
174757-27-CHT

SWITCH-COACH  
BATT DISC  
174757-07-CHT  
WIRE ASM-THERMISTOR  
186796-01-000

PLATE-SWITCH  
176859-09-CHT  
SCREW  
G11-08-12U (6)  
WIRE ASM-PASS PANEL  
188936-01-000

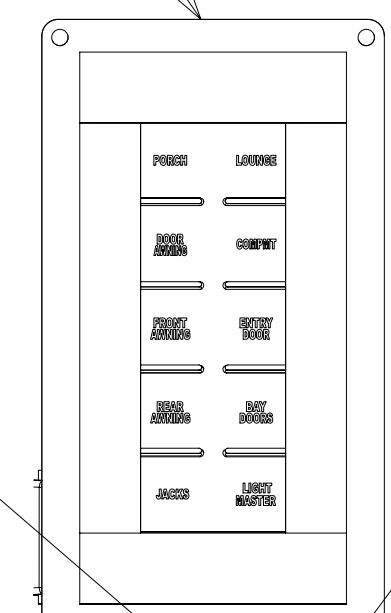
SWITCH-AWNING  
WIND SENSOR  
174757-18-CHT

SWITCH-AWNING POWER  
174757-19-CHT

SWITCH-BLANK  
145754-01-CHT

SWITCH-ENTRY STEP  
174757-27-CHT

SWITCH CHASSIS  
BATT DISC  
174757-06-CHT  
THERMISTOR,PTC  
186796-01-000



DETAIL DA  
(R42QD)

SWITCH-AWNING  
WIND SENSOR  
174757-18-CHT

SWITCH-PATIO  
AWNING CONTROL  
174757-03-CHT

SWITCH-REAR AWNING  
174757-36-CHT

SWITCH COACH  
BATT DISC  
174757-07-CHT  
WIRE ASM-  
THERMISTOR,PTC  
186796-01-000

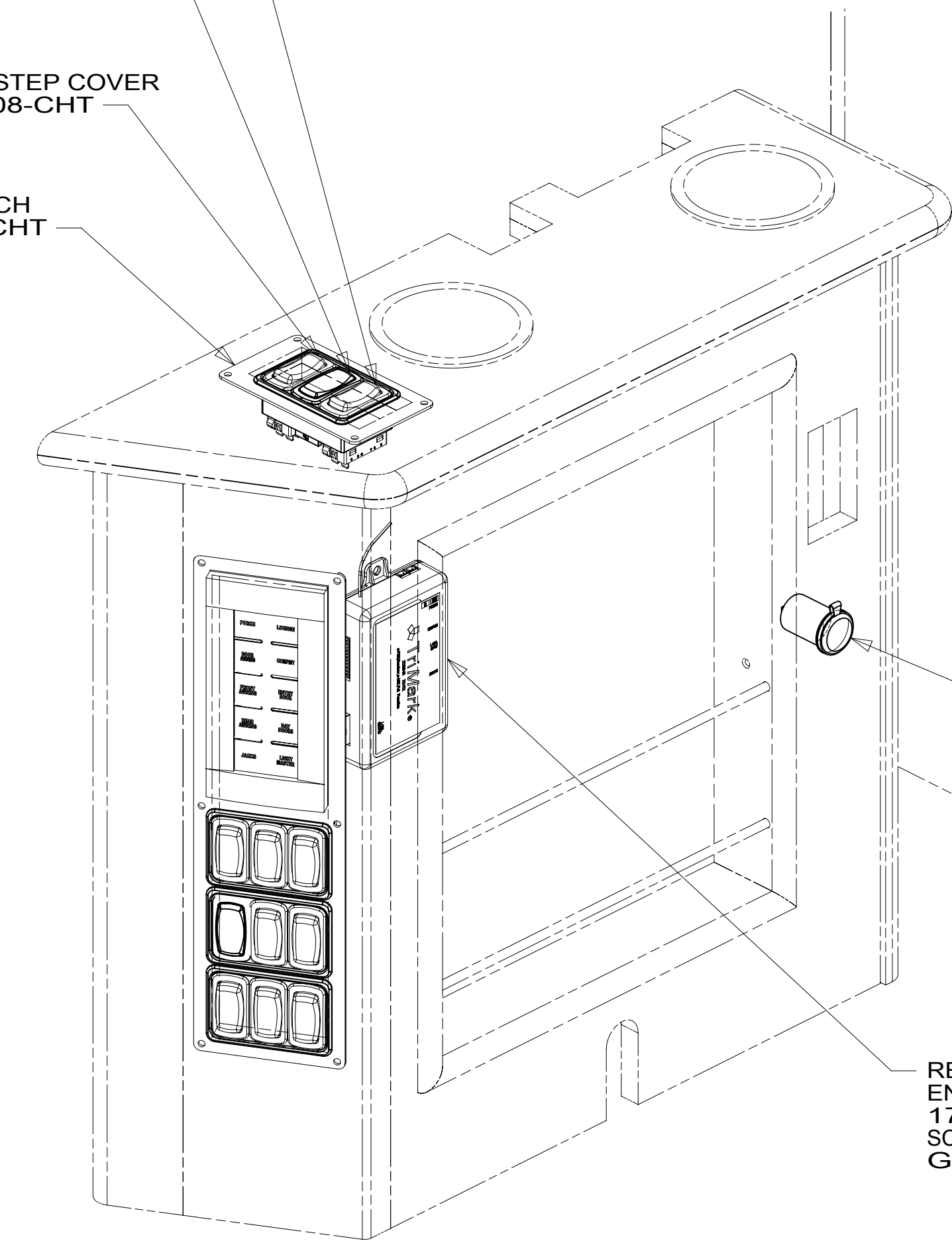
PANEL-SWITCH  
MOUNTING,3-WAY  
174834-02-CHT (3)

2 SWITCH-MAP LIGHT  
174757-20-CHT

2 SWITCH-BLANK  
145754-01-CHT

2 SWITCH-STEP COVER  
174757-08-CHT

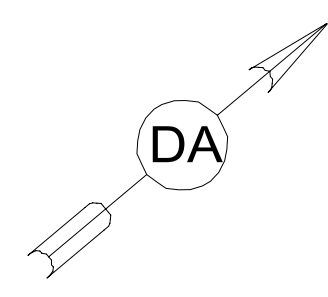
2 PLATE-SWITCH  
176859-04-CHT



DETAIL DB

RECEPTACLE-12V  
132958-01-000  
DETAIL BA

REMOTE KEYLESS  
ENTRY MODULE  
176367-03-000  
SCREW  
G11-08-08U (2)



2 R42QD ONLY.

1. AT MINIMUM ALL WIRES TO BE SUPPORTED AND SECURED PER CODE REQUIREMENTS. USE CLAMP 10495 OR 10497 OR WIRE TIE 8343 OR 108046 AND SCREW G67-XX-XXX OR G56-XX-XXX AS APPROPRIATE FOR INSTALLATION.

NOTES:

FOR ELECTRICAL  
TORQUE  
SPECIFICATIONS  
SEE DWG NO.  
128783-01-000

FOR  
ELECTRICAL  
CALLOUTS  
SEE DWG NO.  
121339-01-000

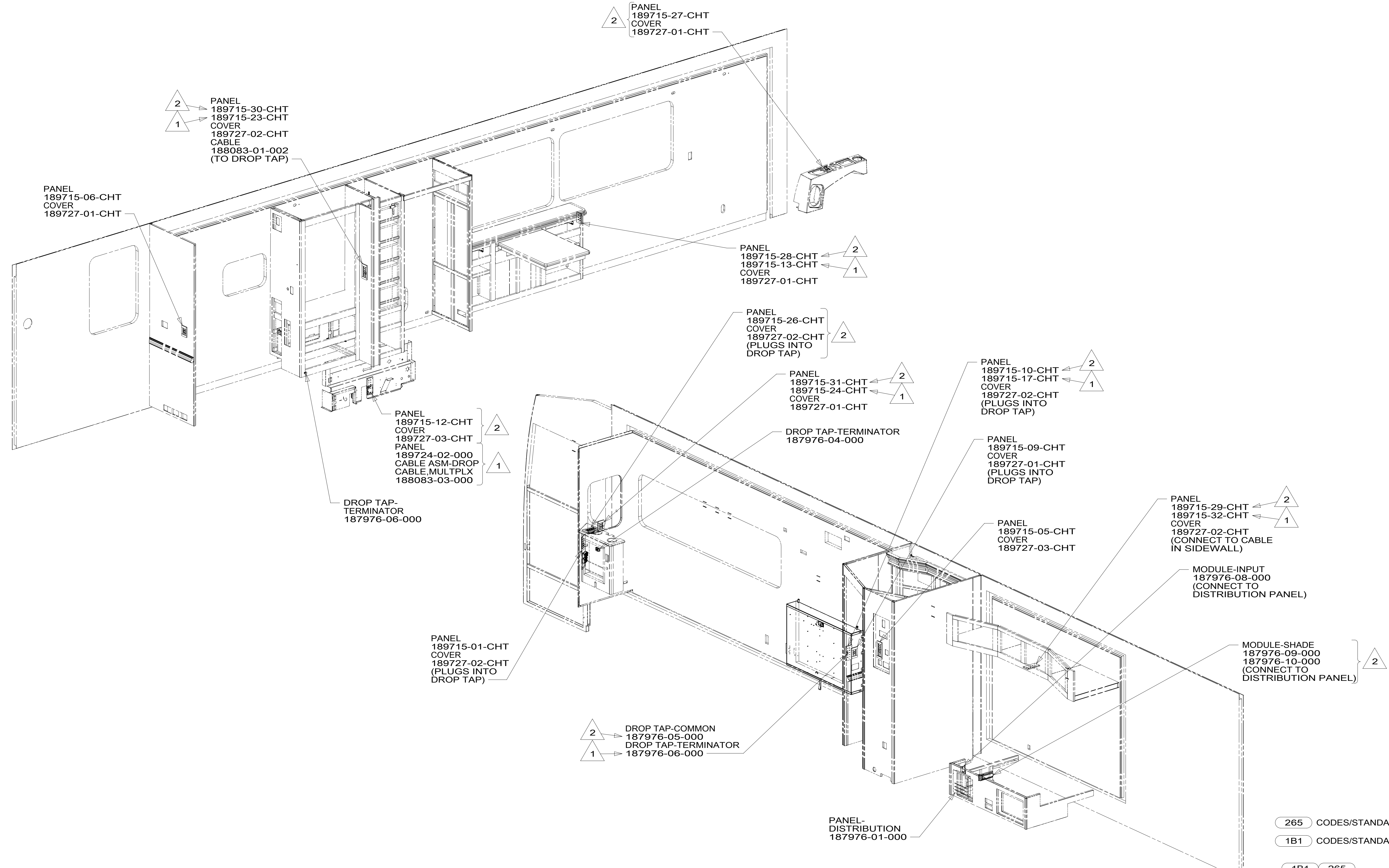
- 52N AWNING - PATIO, ELECTRIC
- 52S AWNING - 2ND PATIO, ELECTRIC
- 62R SEATS-W/QUEEN PASS.-HEAT UL
- 62L SEATS-LUXURY CAB
- 63N AWNING-ENTRY, ELECTRIC
- 265 CODES/STANDARDS-CSA/CMVSS
- 1B1 CODES/STANDARDS USA

1B1 265

FIRST USED	15 R42QL	
TITLE:	DO NOT SCALE DRAWING	
	WIRING INSTL-BODY, 12V	
SHEET 4	PART NO. 187604	REV

8 7 6 5 4 3 2 1

\*187604\*



2 R42QL ONLY.  
 1 R42QD ONLY.

NOTES:

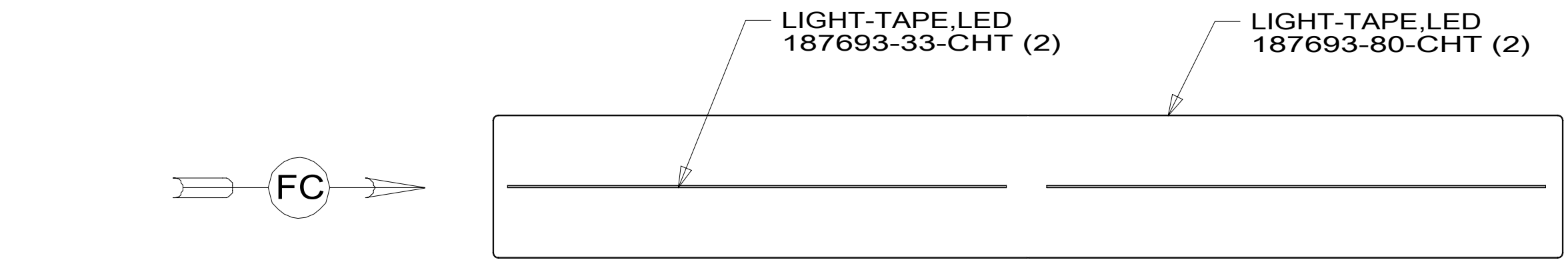
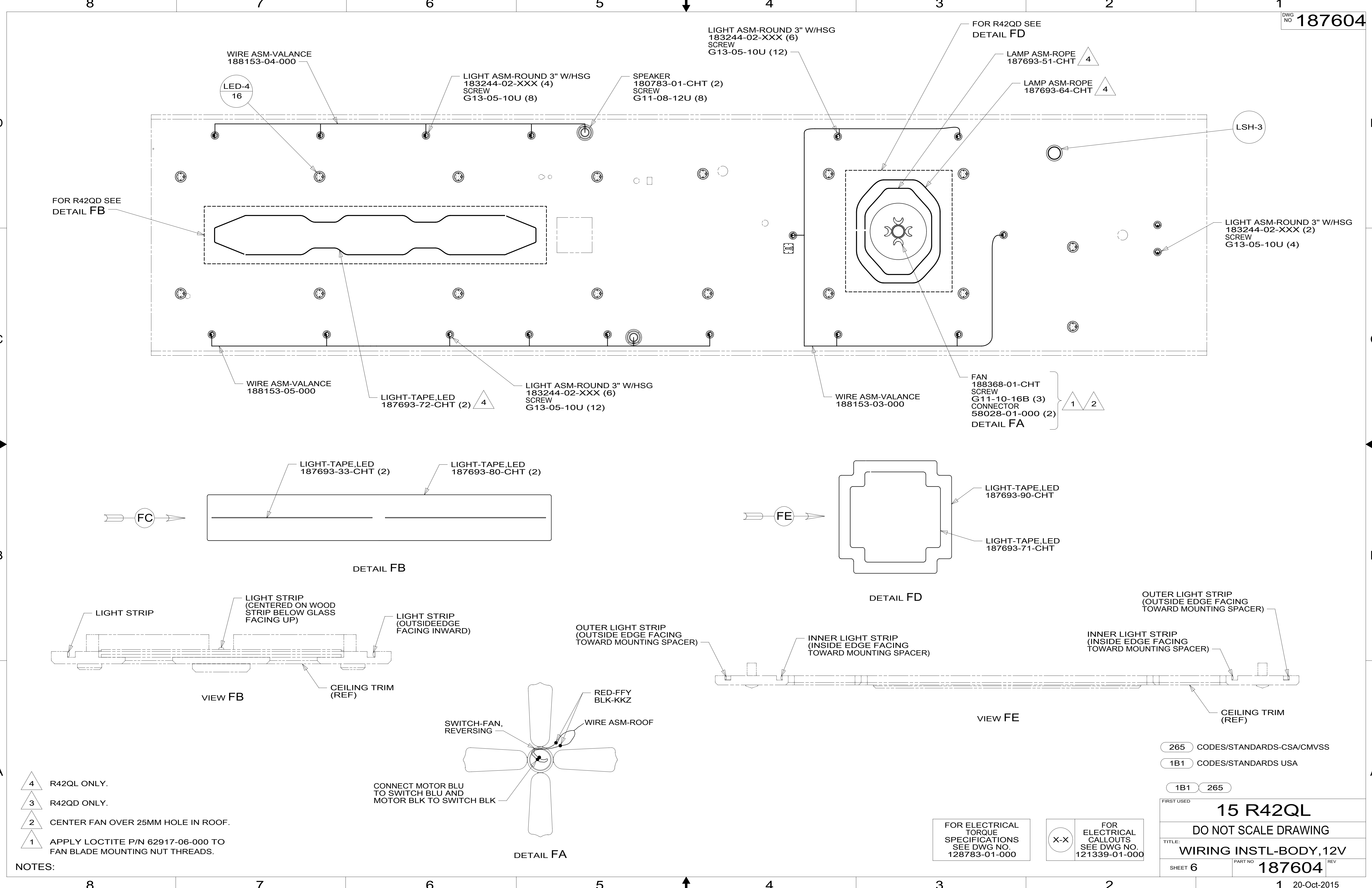
FOR ELECTRICAL TORQUE SPECIFICATIONS SEE DWG NO. 128783-01-000

X-X FOR ELECTRICAL CALLOUTS SEE DWG NO. 121339-01-000

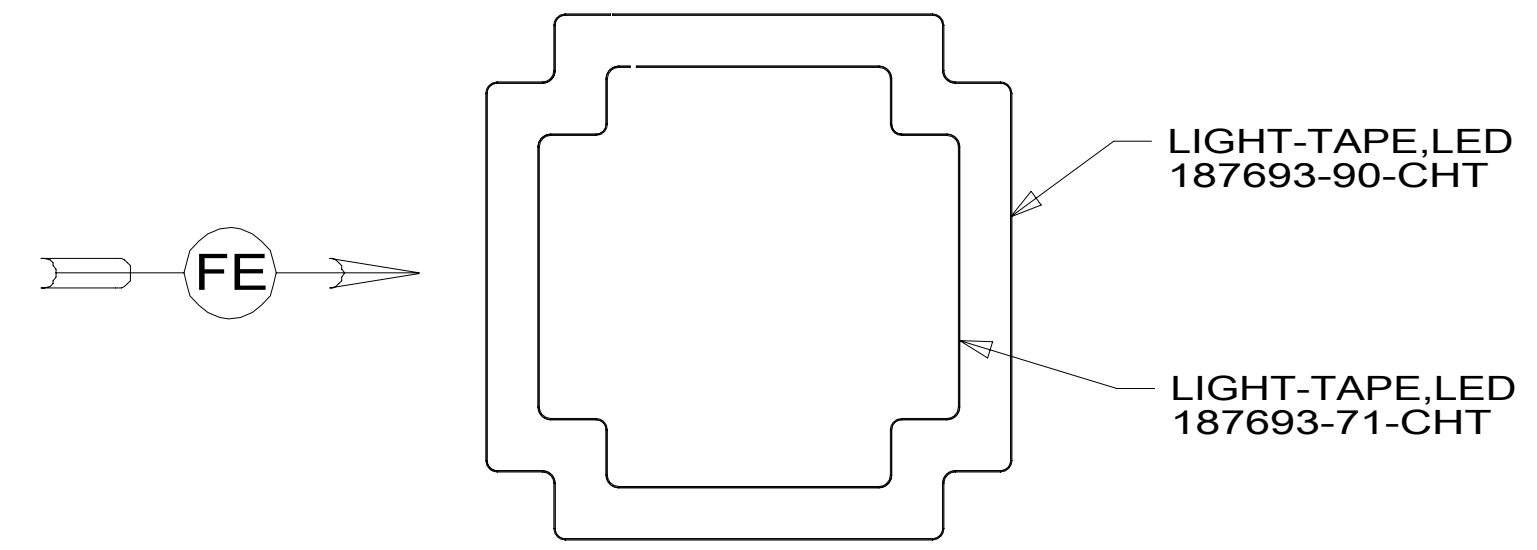
- 265 CODES/STANDARDS-CSA/CMVSS
- 1B1 CODES/STANDARDS USA
- 1B1 265

FIRST USED	<b>15 R42QL</b>	
<b>DO NOT SCALE DRAWING</b>		
<b>TITLE: WIRING INSTL-BODY, 12V</b>		
SHEET 5	PART NO <b>187604</b>	REV

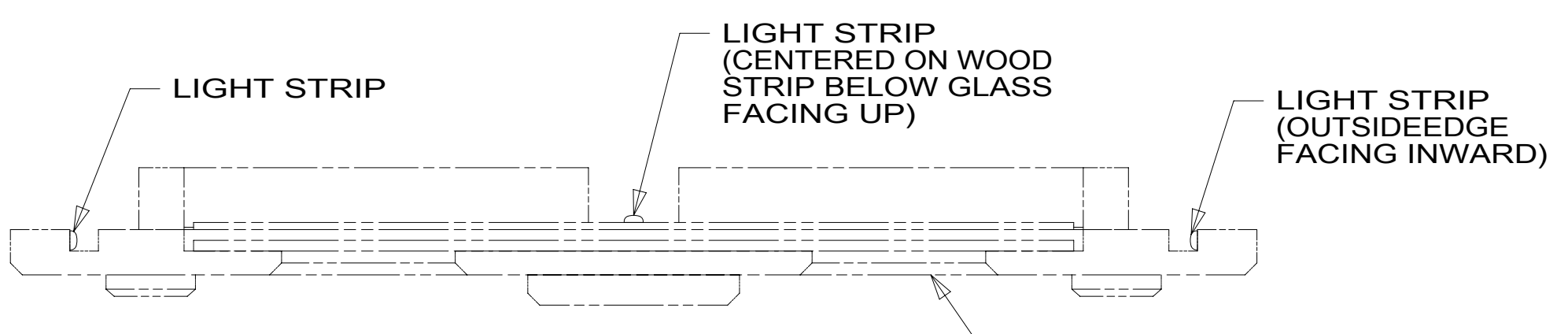
\*187604 \*A



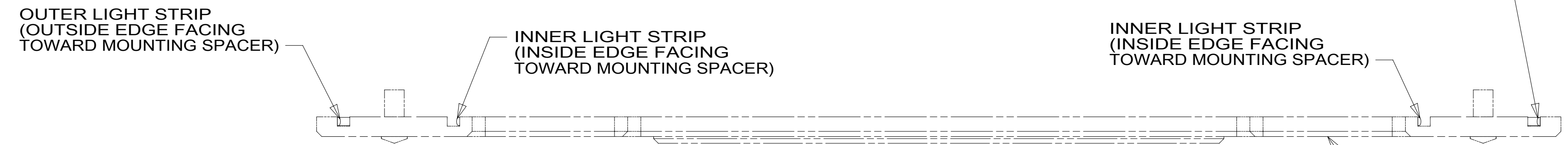
DETAIL FB



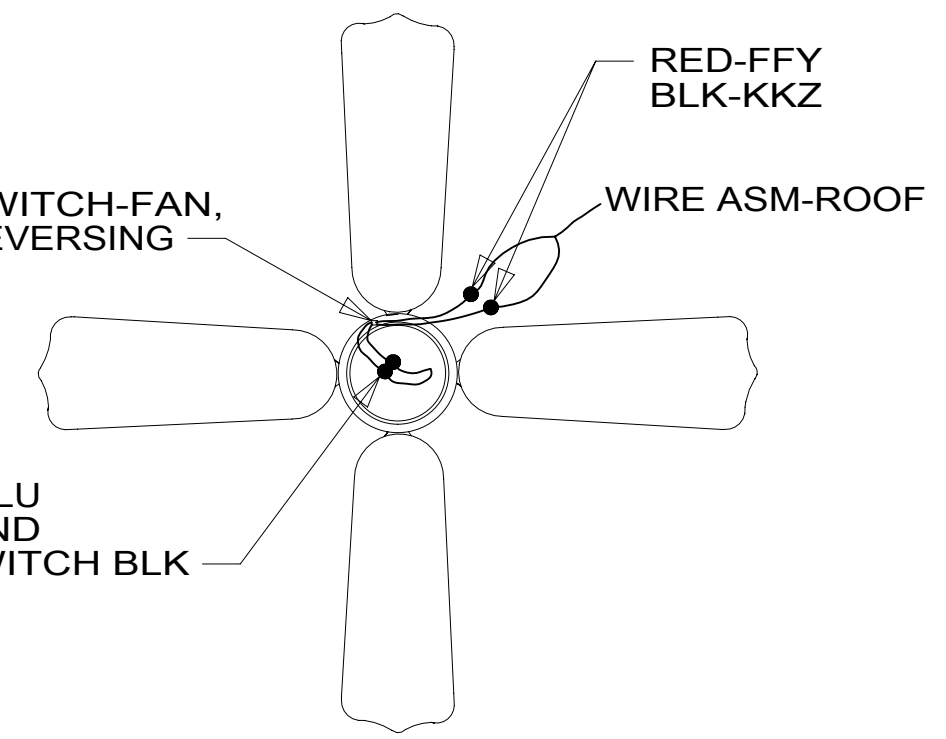
DETAIL FD



VIEW FB



VIEW FE



DETAIL FA

- NOTES:
- 4 R42QL ONLY.
  - 3 R42QD ONLY.
  - 2 CENTER FAN OVER 25MM HOLE IN ROOF.
  - 1 APPLY LOCTITE P/N 62917-06-000 TO FAN BLADE MOUNTING NUT THREADS.

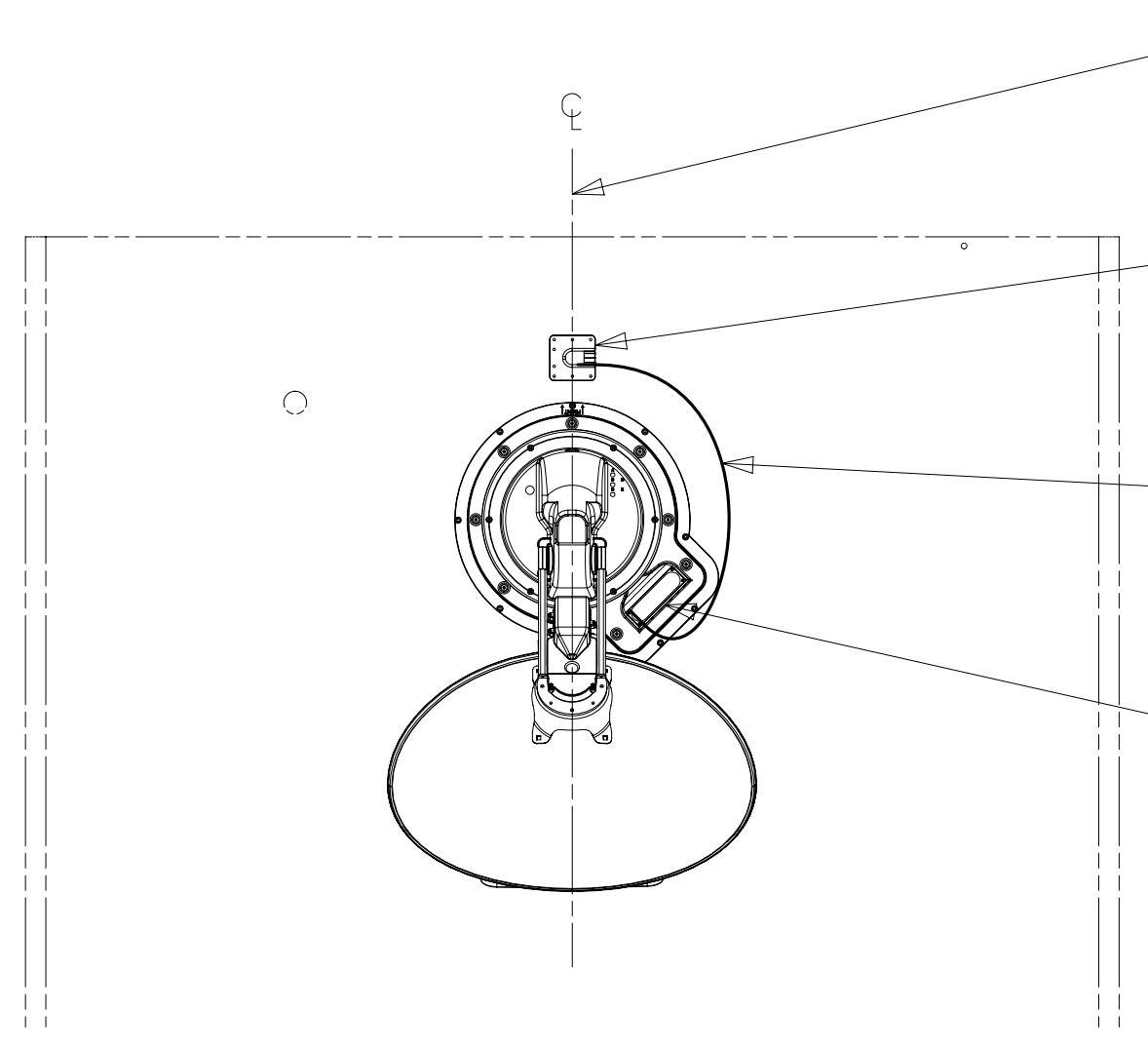
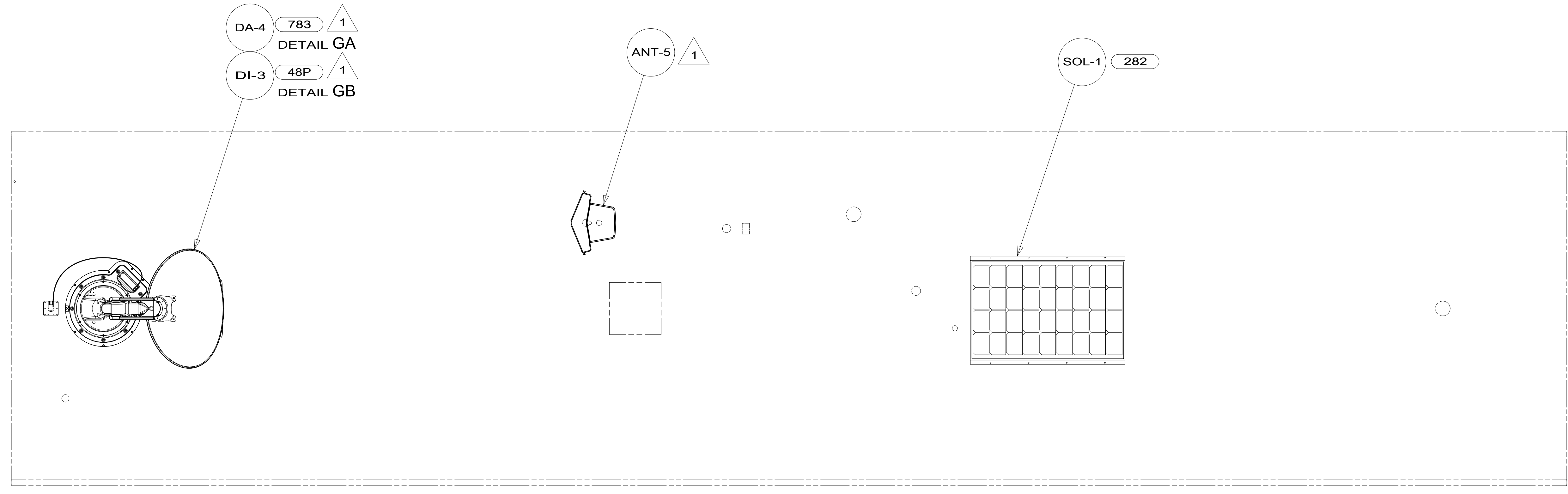
- 265 CODES/STANDARDS-CSA/CMVSS
- 1B1 CODES/STANDARDS USA
- 1B1 265

FOR ELECTRICAL TORQUE SPECIFICATIONS SEE DWG NO. 128783-01-000

FOR ELECTRICAL CALLOUTS SEE DWG NO. 121339-01-000

FIRST USED	
<b>15 R42QL</b>	
<b>DO NOT SCALE DRAWING</b>	
<b>WIRING INSTL-BODY, 12V</b>	
SHEET 6	PART NO. <b>187604</b> REV

\*187604\*



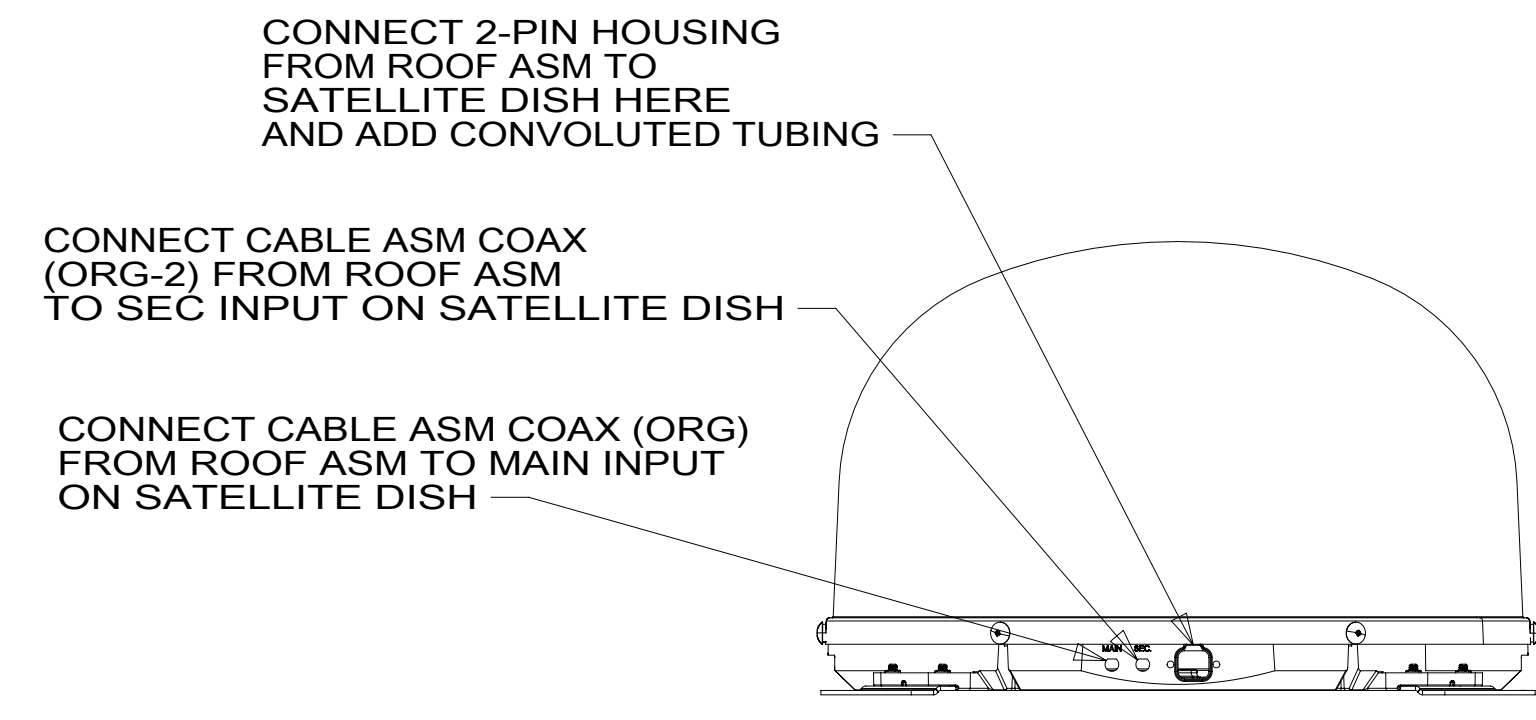
DETAIL GA

THE SATELLITE DISH AND WIRE CONNECTIONS ARE TO BE PLACED ON THE CENTERLINE OF THE MOTORHOME FACING FORWARD.

SEPARATE CABLES AND INSTALL WIRE COVER OVER HOLE IN ROOF ASM WITH CABLES EXITING ON PASSENGERS SIDE.

WHEN APPLYING ROOF SEALANT TO SATELLITE DISH, PLACE ROOF SEALANT HERE (APPROX. 75MM WIDE) AND PUSH THE CABLES INTO THE SEALANT TO STABILIZE THEM.

CONNECT CABLE ASM-COAX FROM ROOF ASM TO COAX CABLES ON SATELLITE DISH AND CONNECT 10' CABLE-DATA FROM ROOF ASM TO DATA CABLE FROM SATELLITE DISH AND PLACE ALL CONNECTIONS BACK INTO ROOF ASM.



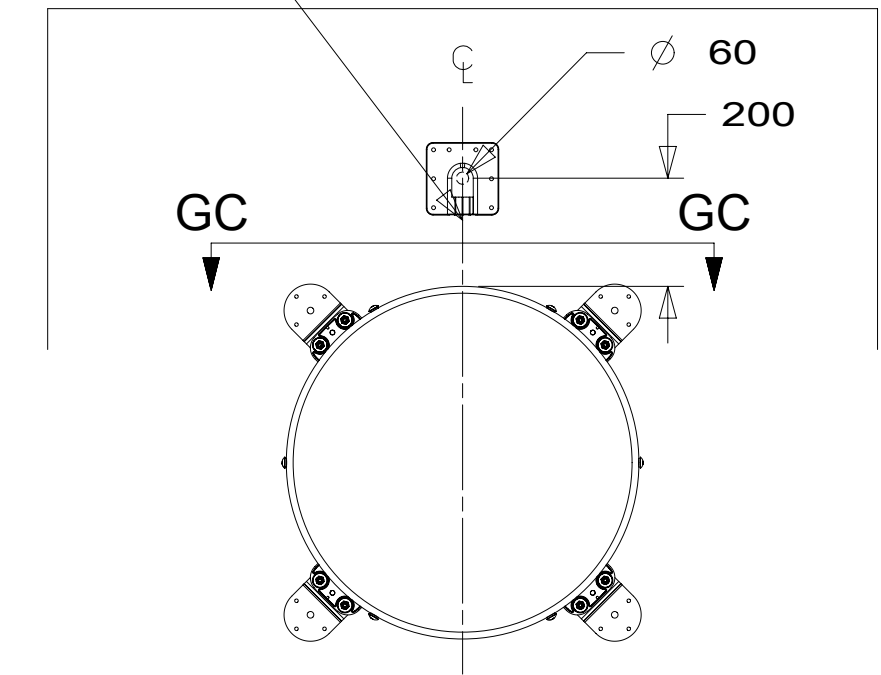
VIEW GC-GC

CONNECT 2-PIN HOUSING FROM ROOF ASM TO SATELLITE DISH HERE AND ADD CONVOLUTED TUBING

CONNECT CABLE ASM COAX (ORG-2) FROM ROOF ASM TO SEC INPUT ON SATELLITE DISH

CONNECT CABLE ASM COAX (ORG) FROM ROOF ASM TO MAIN INPUT ON SATELLITE DISH

THE SATELLITE DISH WIRE CONNECTIONS ARE TO BE PLACED ON THE CENTERLINE OF THE MOTORHOME FACING FORWARD



DETAIL GB 2

- NOTES:
- 2 REMOVE ALL SHIPPING RESTRAINTS AND FIRMLY INSERT THE SUPPLIED PLUGS INTO THE APPROPRIATE SIZED HOLES AS SPECIFIED IN THE INSTALLATION PROCESS.
  - 1 SEE MANUFACTURER'S INSTALLATION FOR ADDITIONAL INFORMATION.

FOR ELECTRICAL TORQUE SPECIFICATIONS SEE DWG NO. 128783-01-000

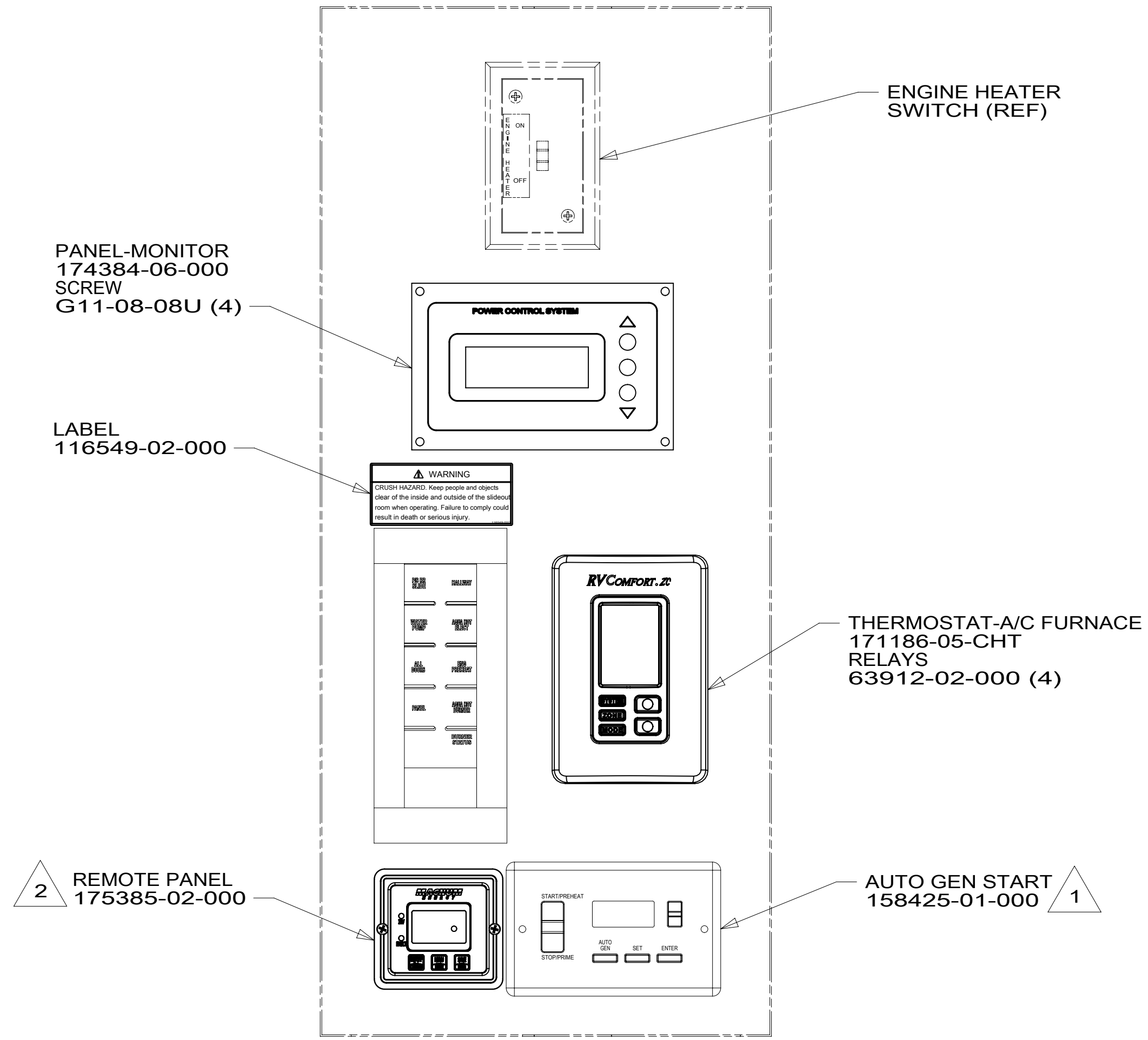
FOR ELECTRICAL CALLOUTS SEE DWG NO. 121339-01-000

- 783 SATELLITE HD TV SYSTEM AUTOC
- 282 SOLAR PANEL - 100 WATT
- 48P SAT TV SYSTEM IN-MOTION
- 265 CODES/STANDARDS-CSA/CMVSS
- 1B1 CODES/STANDARDS USA

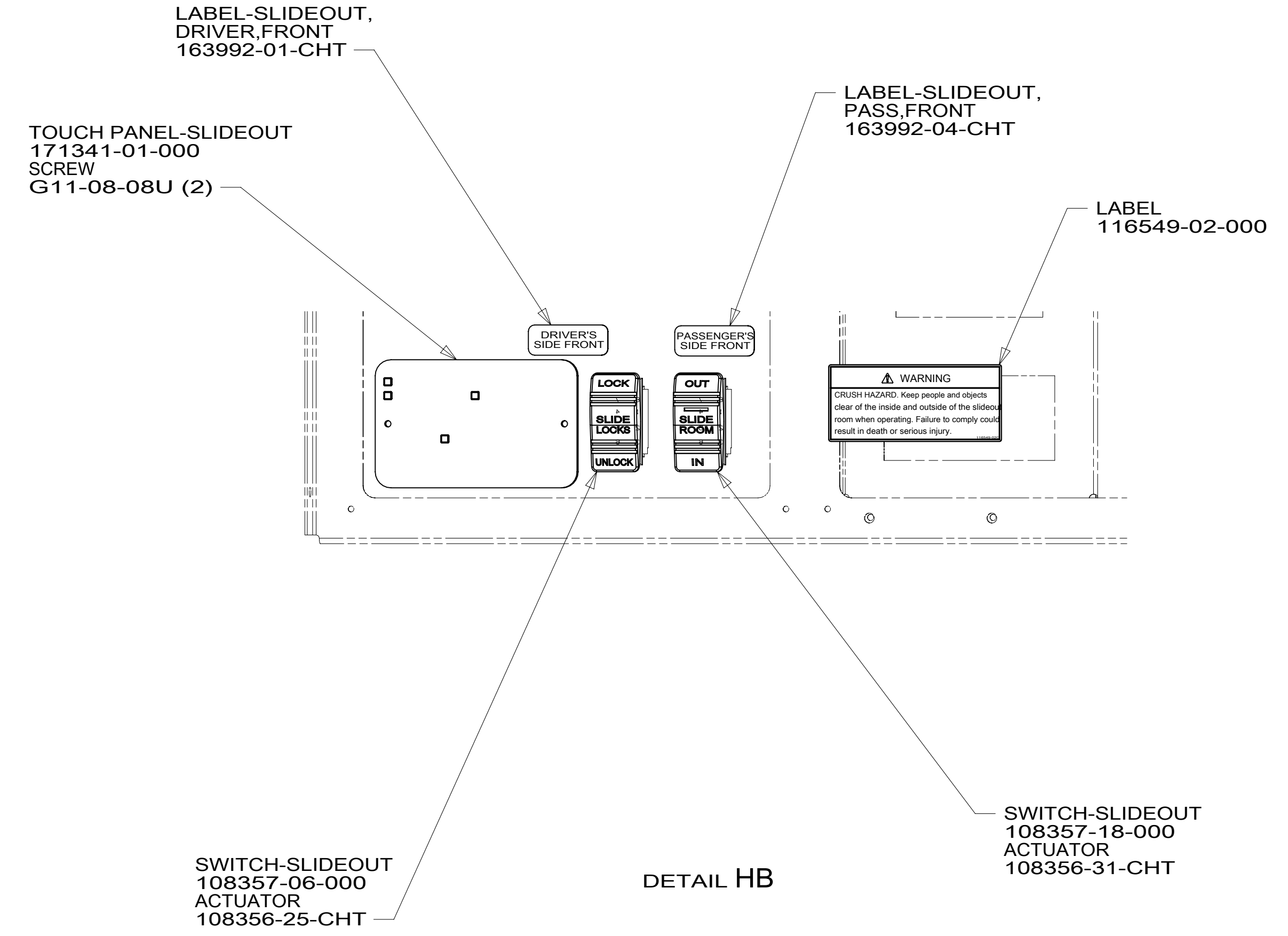
FIRST USED	<b>15 R42QL</b>	
<b>DO NOT SCALE DRAWING</b>		
<b>TITLE: WIRING INSTL-BODY, 12V</b>		
SHEET 7	PART NO <b>187604</b>	REV

\*187604\*





DETAIL HA



DETAIL HB

- NOTES:
- 2 SET 'BAT TYPE' TO 'AGM2'  
SET 'LBCO' TO '11VDC'  
SET 'BAT AHRS' TO '600 AH'  
SEE OWNER'S MANUAL FOR SETUP PROCEDURE.
  - 1 SET 'GEN TYPE' TO 'QD 10-12'  
SET 'SAFETY TYPE' TO 'IGNITION'  
SET 'SP SENSE' TO 'AFTER'  
SEE OWNER'S MANUAL FOR SETUP PROCEDURE.

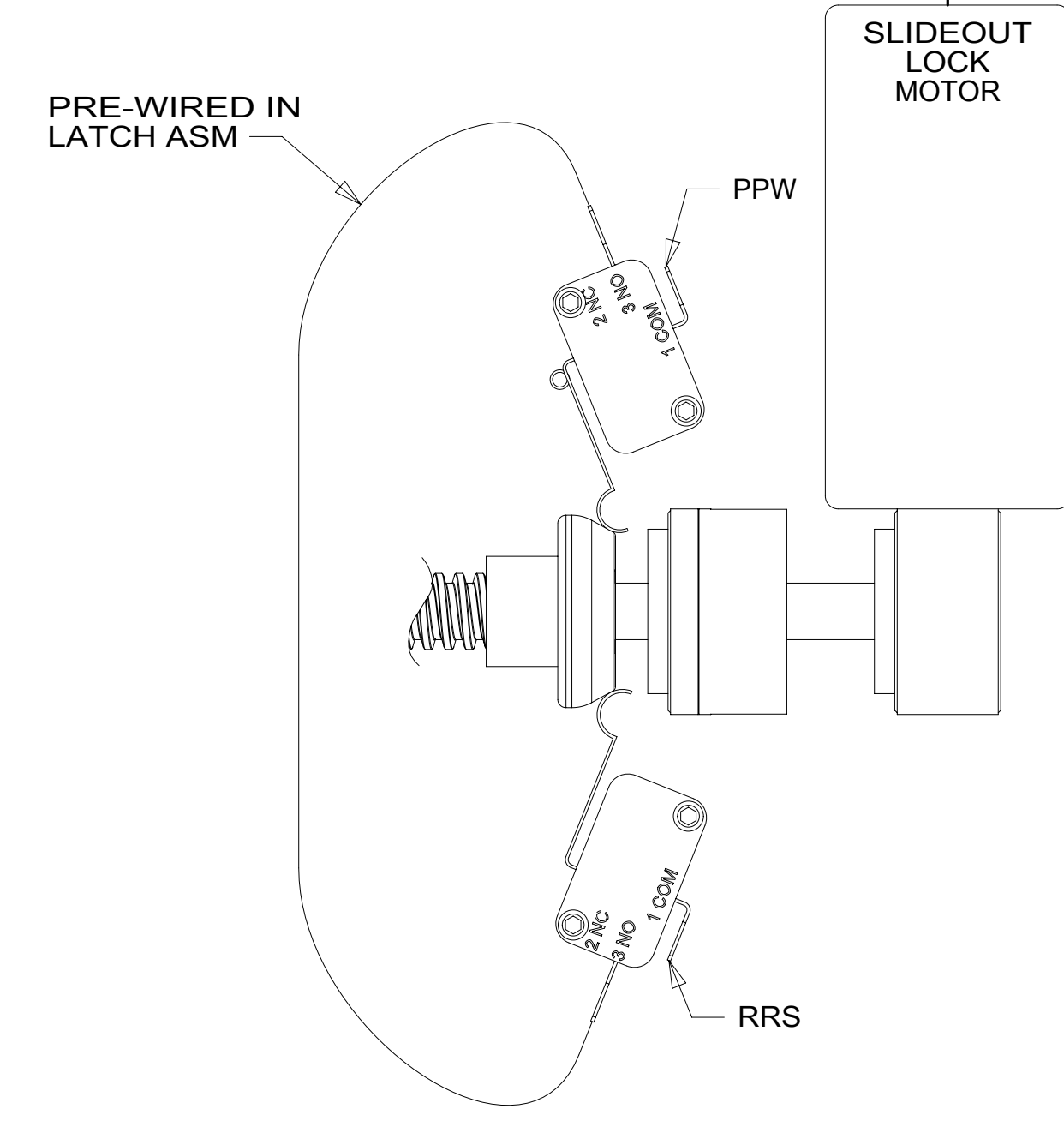
- 32W GENERATOR-START,AUTO SYSTEM
- 265 CODES/STANDARDS-CSA/CMVSS
- 1B1 CODES/STANDARDS USA

FIRST USED	
<b>15 R42QL</b>	
<b>DO NOT SCALE DRAWING</b>	
<b>TITLE: WIRING INSTL-BODY, 12V</b>	
SHEET 8	PART NO <b>187604</b> REV

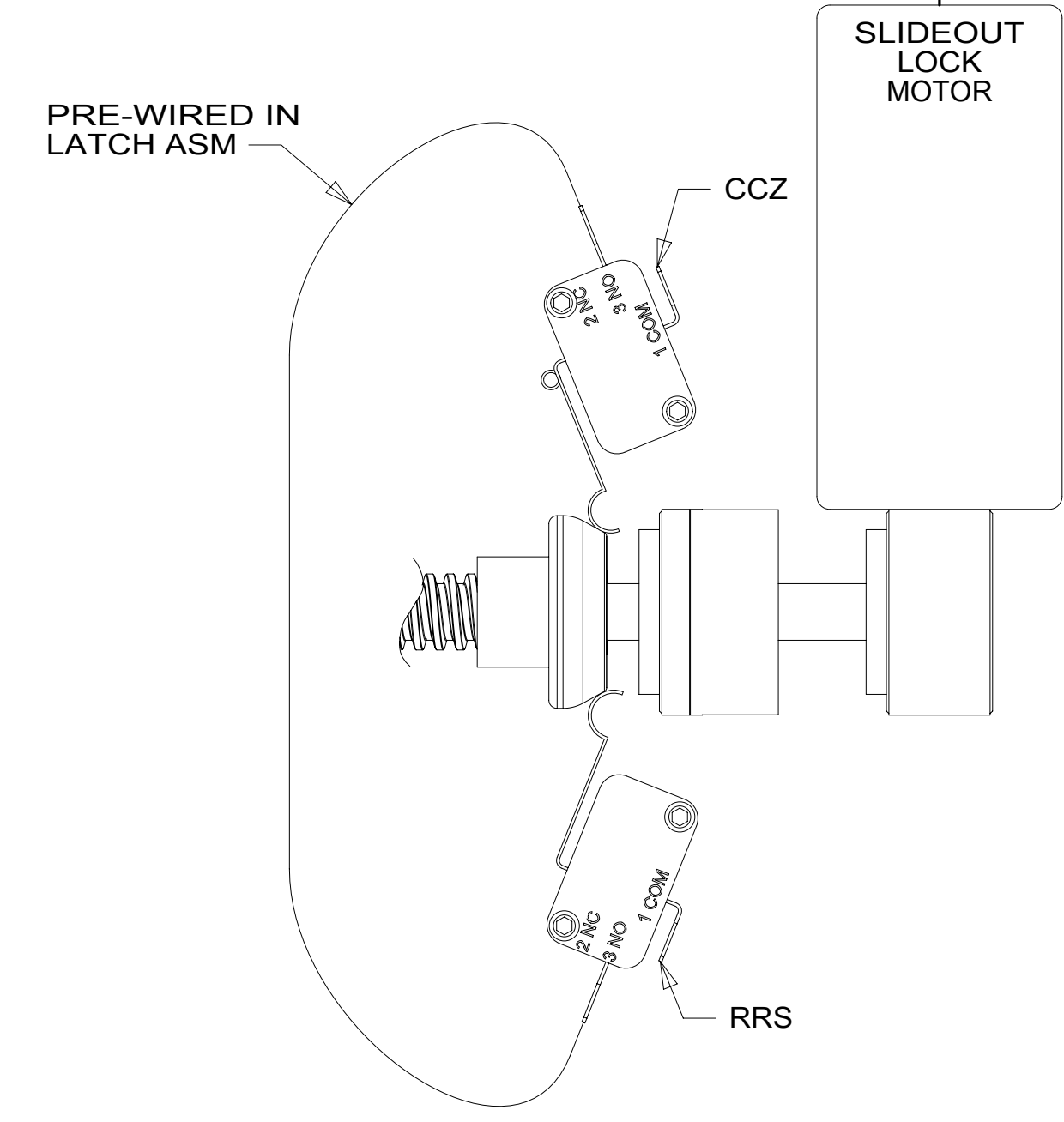
FOR ELECTRICAL TORQUE SPECIFICATIONS SEE DWG NO. 128783-01-000

FOR ELECTRICAL CALLOUTS SEE DWG NO. 121339-01-000

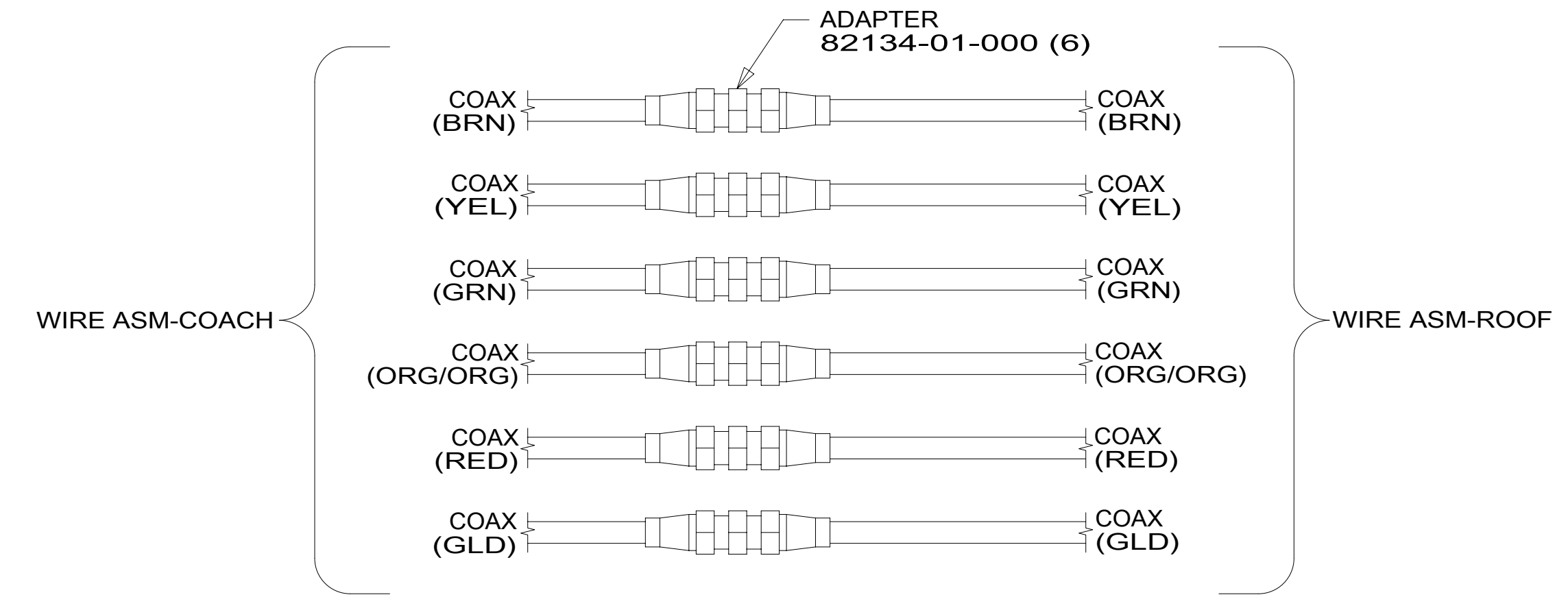
\*187604 \*A



DETAIL JA



DETAIL JB



DETAIL JC

265 CODES/STANDARDS-CSA/CMVSS  
 1B1 CODES/STANDARDS USA

1B1 265

FIRST USED	<b>15 R42QL</b>	
DO NOT SCALE DRAWING		
TITLE:	<b>WIRING INSTL-BODY, 12V</b>	
SHEET 9	PART NO <b>187604</b>	REV

FOR ELECTRICAL TORQUE SPECIFICATIONS SEE DWG NO. 128783-01-000

X-X FOR ELECTRICAL CALLOUTS SEE DWG NO. 121339-01-000

\*187604 \*A