



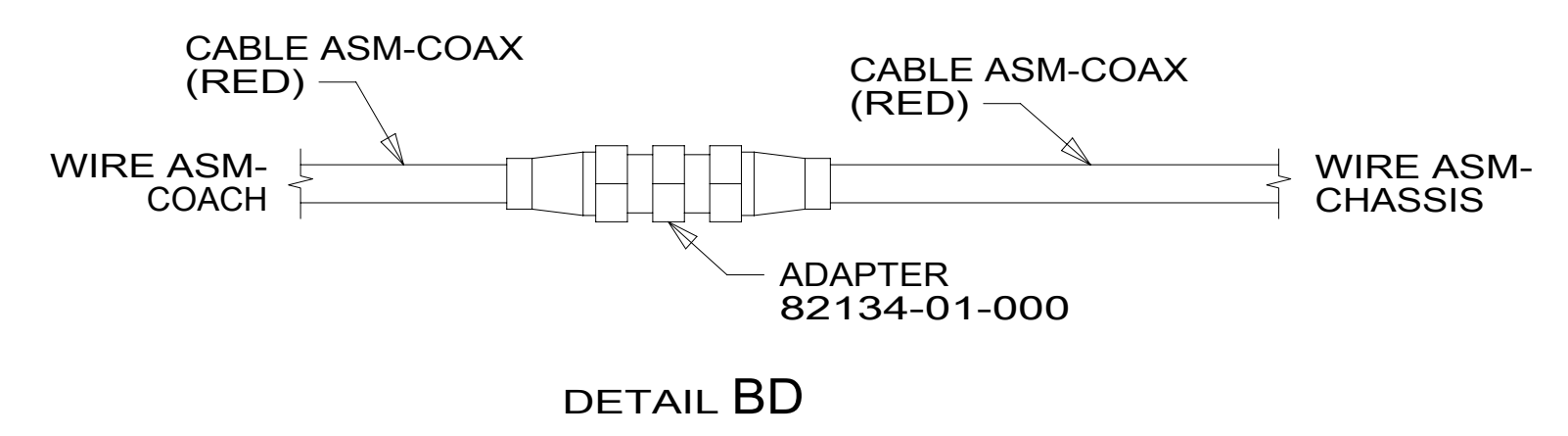
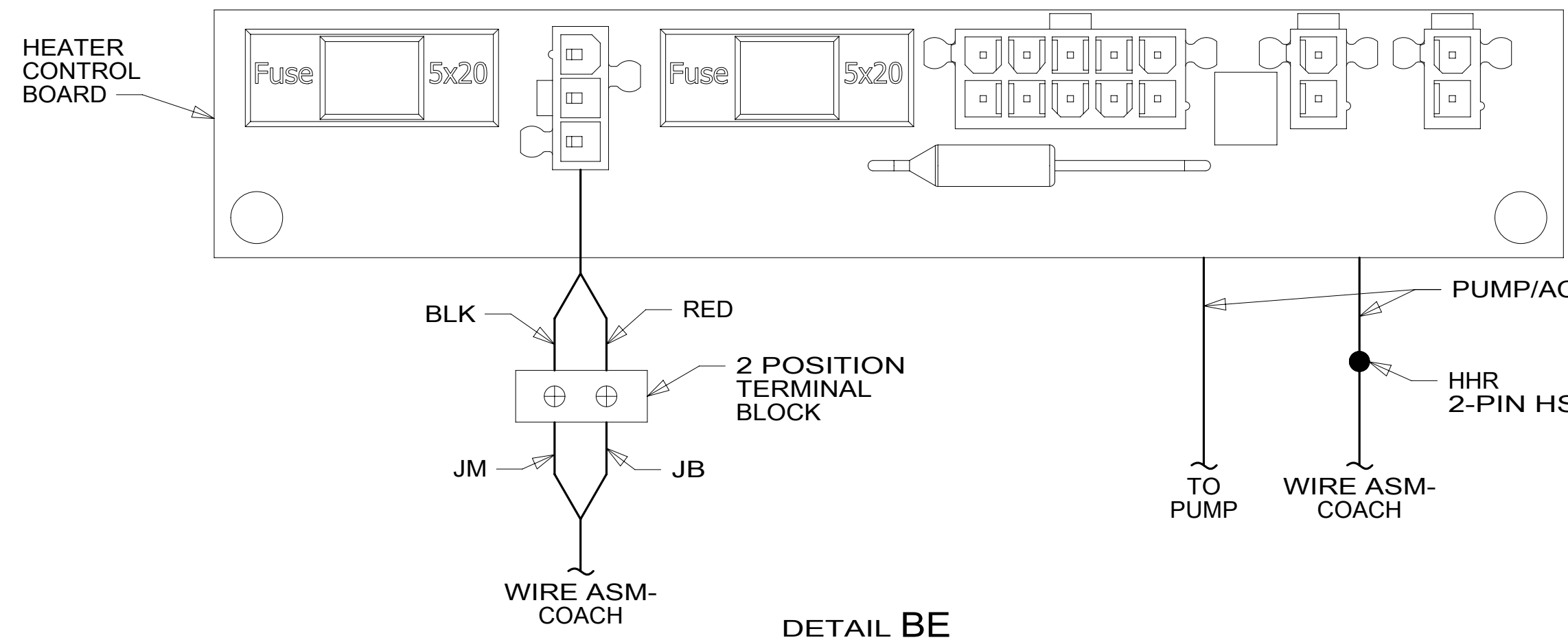
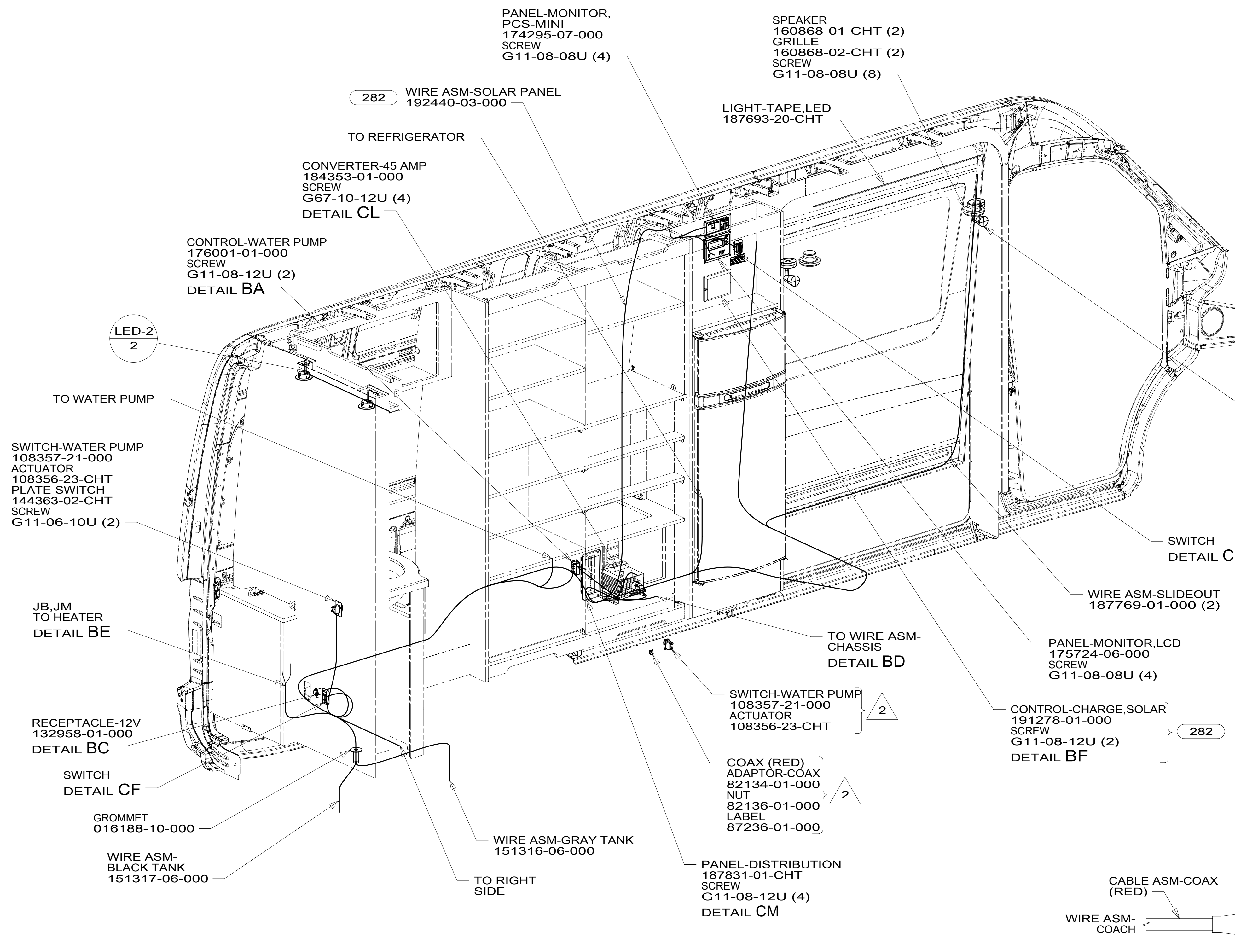
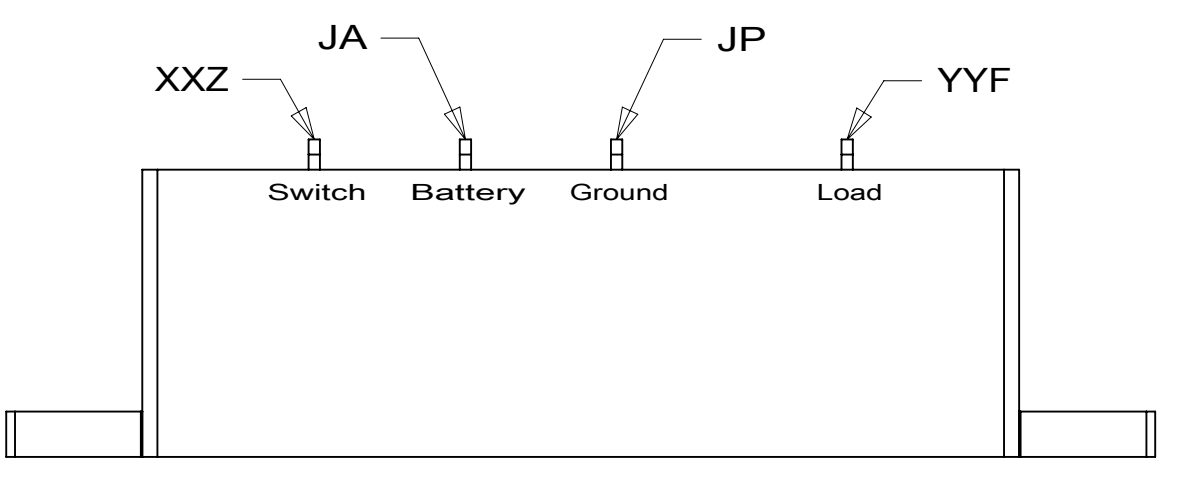
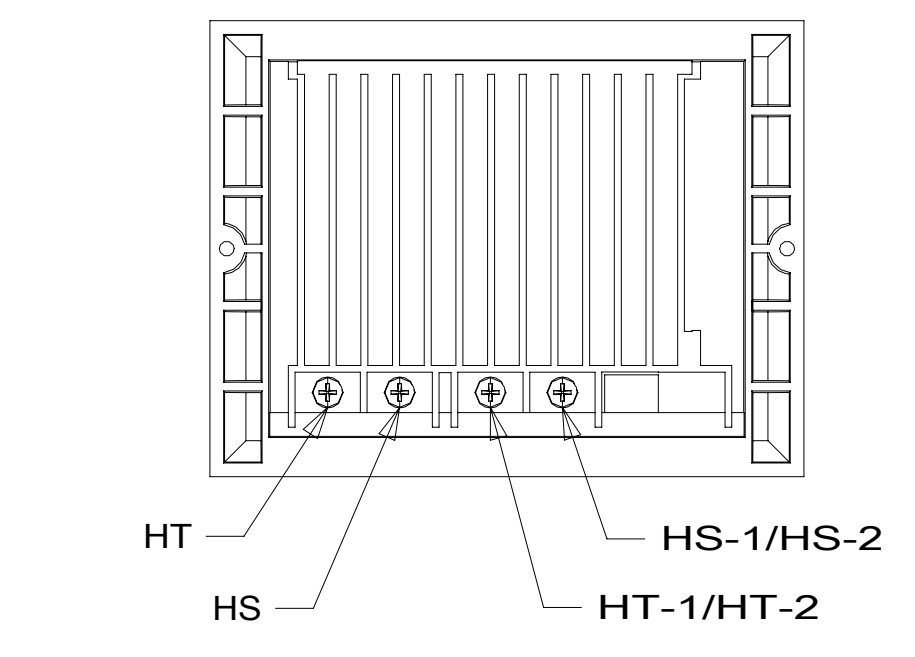
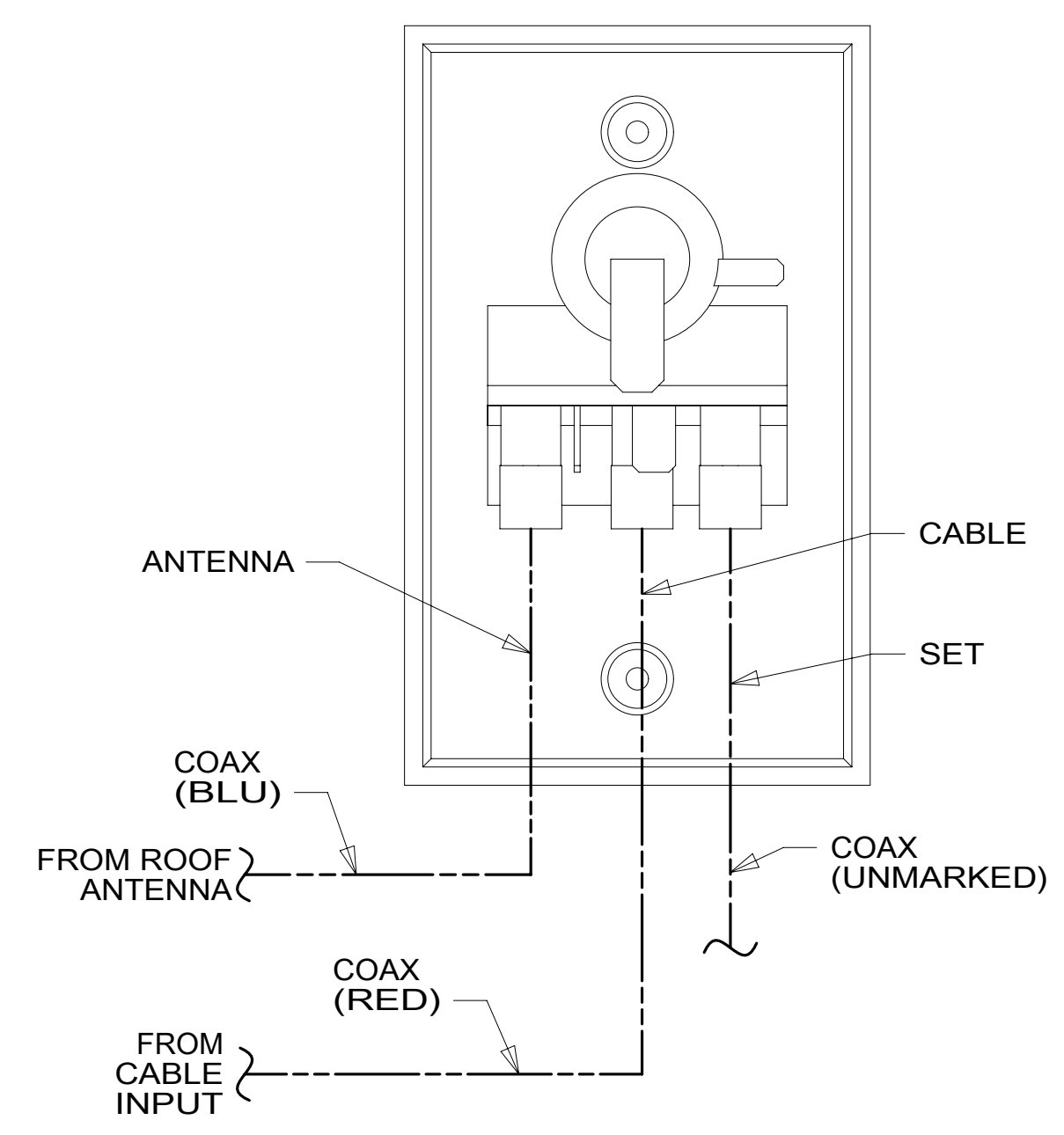
DANGER

Danger of electrical shock, burns or death. Always remove all power sources before attempting any repair, service or diagnostic work. Power can be present from shore power, generator, inverter or battery. All power sources must be disabled and secured before performing any service.



CAUTION

If you lack the skills, tools or equipment to perform diagnostic or repair work leave such work to an authorized Winnebago Industries dealer or other qualified shop.



NOTES:

3 SEE WIRE ASM-SOLAR SYSTEM AND WIRE ASM-CHASSIS FOR ADDITIONAL INFORMATION.

2 MOUNTED IN EXTERIOR SERVICE CENTER.

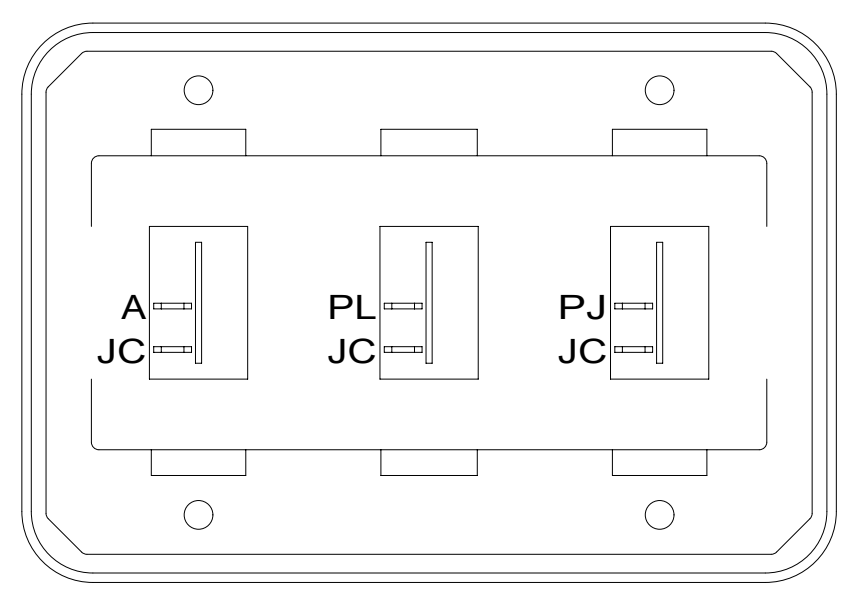
1. AT MINIMUM ALL WIRES TO BE SUPPORTED AND SECURED PER CODE REQUIREMENTS. USE CLAMP 10495 OR 10497 OR WIRE TIE 8343 OR 108046 AND SCREW G67-XX-XXX OR G56-XX-XXX AS APPROPRIATE FOR INSTALLATION.

FOR ELECTRICAL TORQUE SPECIFICATIONS SEE DWG NO. 128783-01-000

FOR ELECTRICAL CALLOUTS SEE DWG NO. 121339-01-000

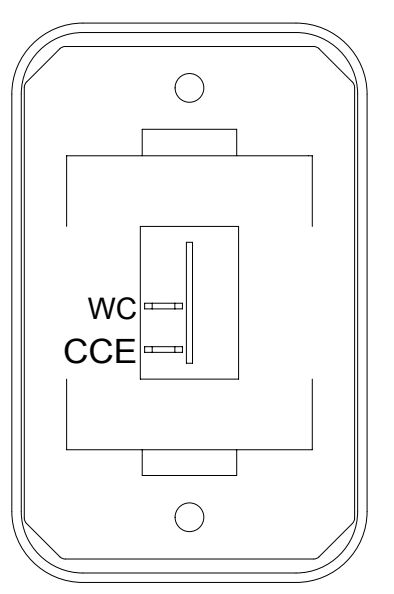
282	SOLAR PANEL - 100 WATT
265	CODES/STANDARDS-CSA/CMVSS
1B1	CODES/STANDARDS USA
1B1	265
FIRST USED	
15 170C	
DO NOT SCALE DRAWING	
WIRING INSTL-BODY, 12V	
SHEET 2	PART NO 187565 REV
1 22-Oct-2015	

187565



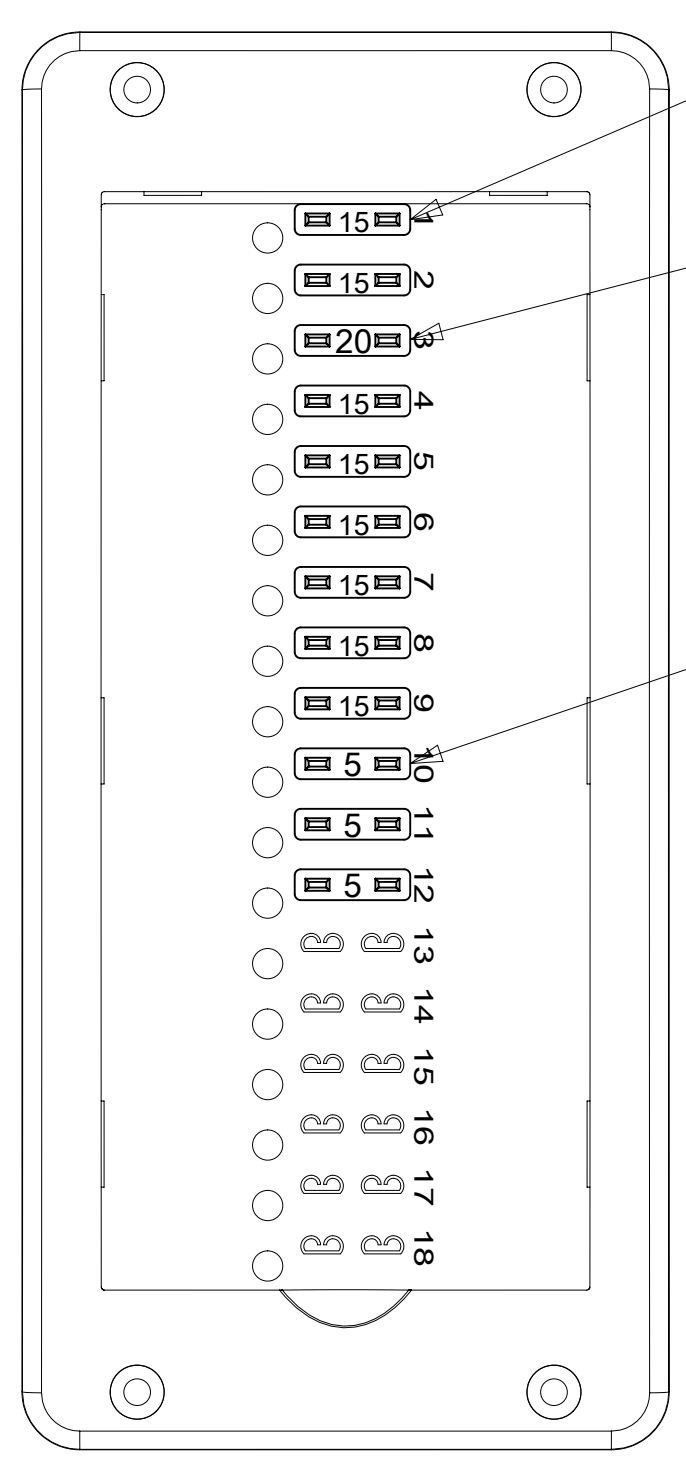
SWITCH-ROCKER
135740-01-CHT (3)
SWITCH-BASE
135741-03-CHT
SWITCH-BEZEL
135742-03-CHT
SCREW
G11-08-08U (2)

DETAIL CA

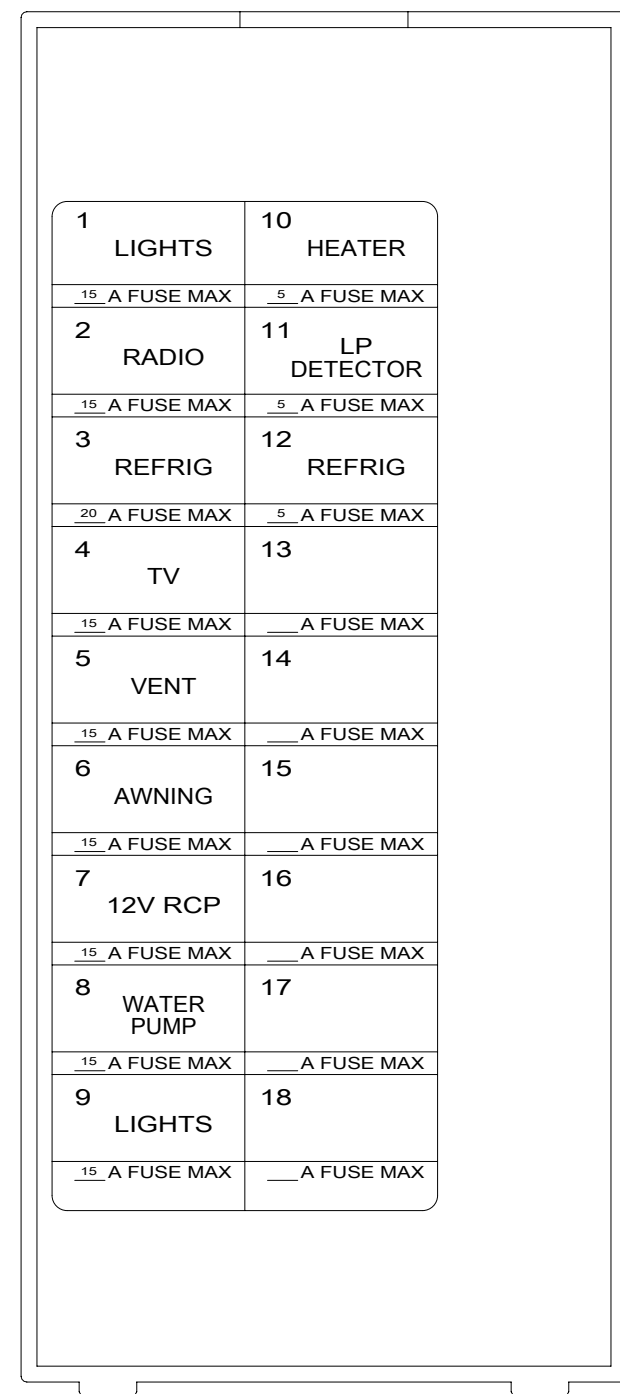


SWITCH-ROCKER
135740-01-CHT
SWITCH-BASE
135741-01-CHT
SWITCH-BEZEL
135742-01-CHT
SCREW
G11-08-08U (2)

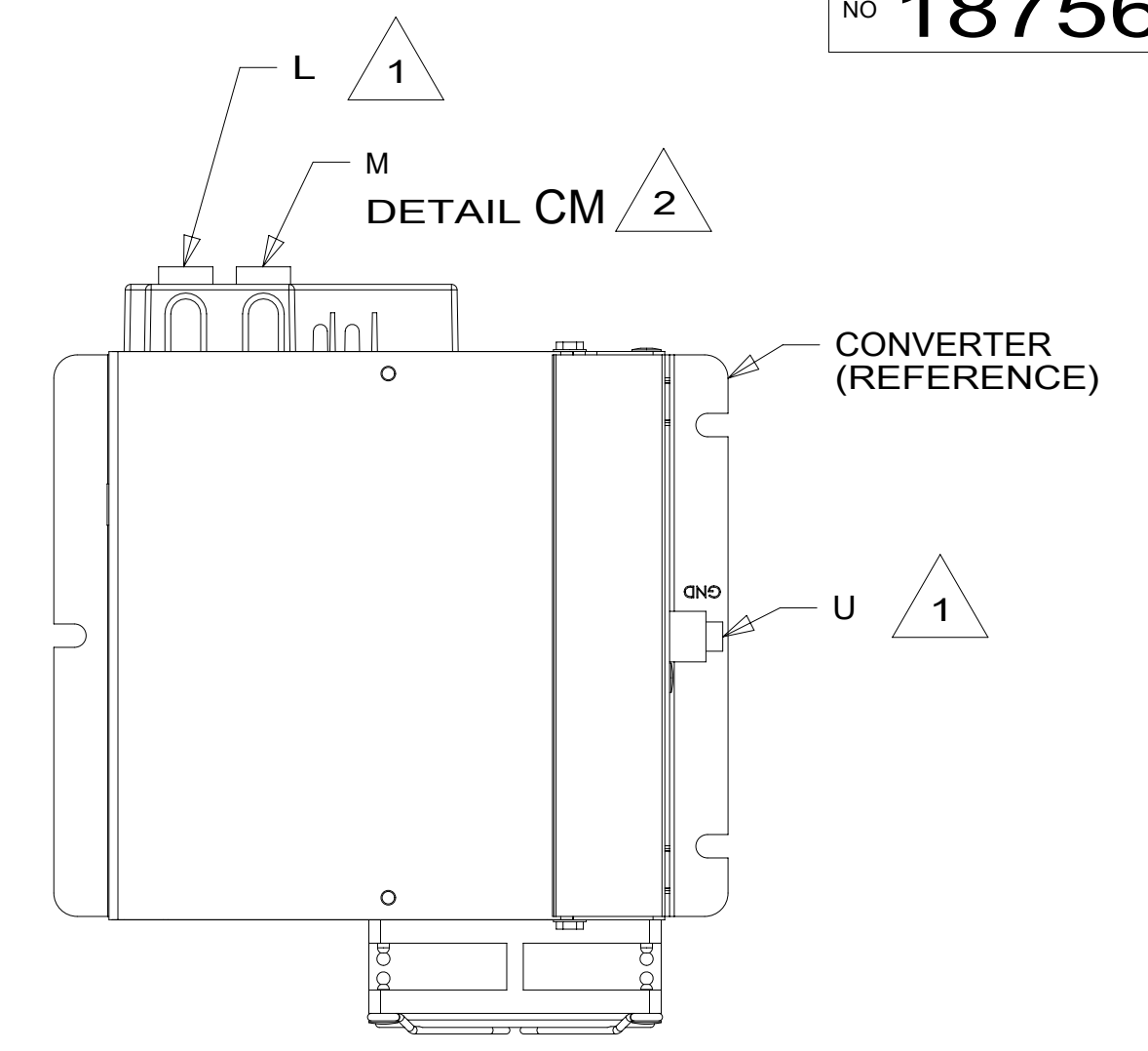
DETAIL CF



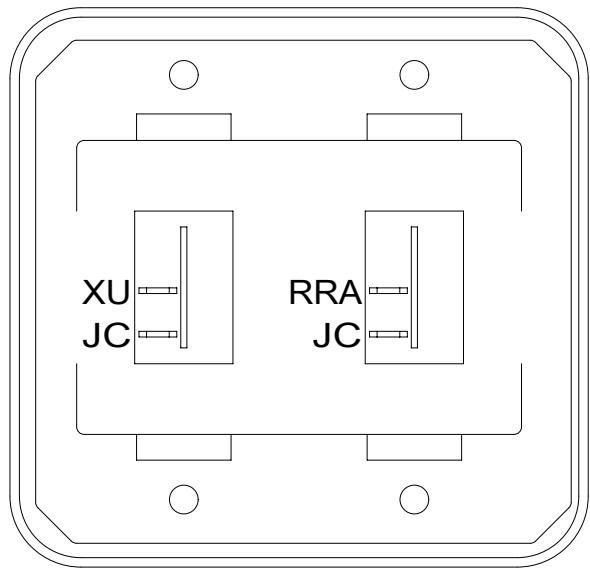
DETAIL CM
(COVER REMOVED)



DETAIL CM
(BACKSIDE OF COVER)

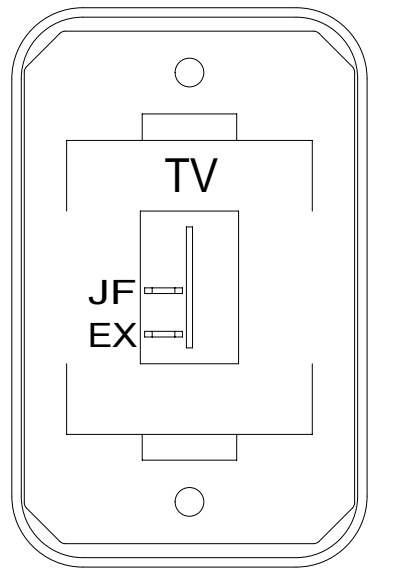


DETAIL CL



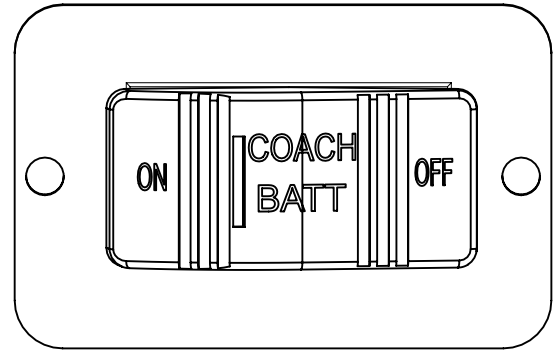
SWITCH-ROCKER
135740-01-CHT (2)
SWITCH-BASE
135741-02-CHT
SWITCH-BEZEL
135742-02-CHT
SCREW
G11-08-08U (4)

DETAIL CB



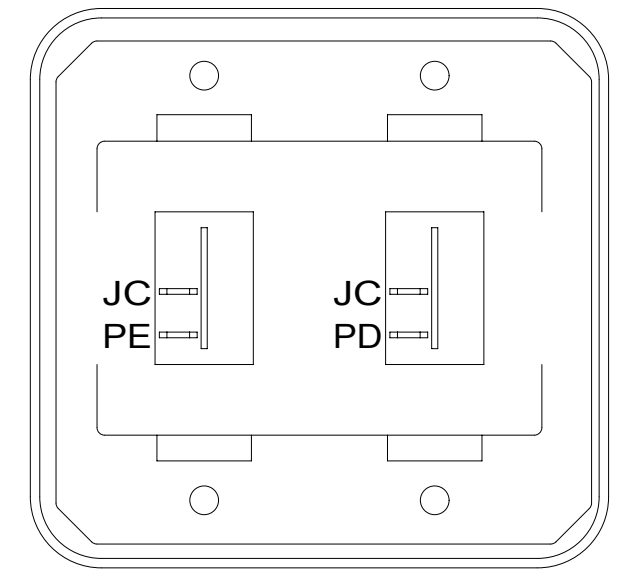
SWITCH-ROCKER
135740-01-CHT
SWITCH-BASE
135741-01-CHT
SWITCH-BEZEL
135742-45-CHT
SCREW
G11-08-08U (2)

DETAIL CG



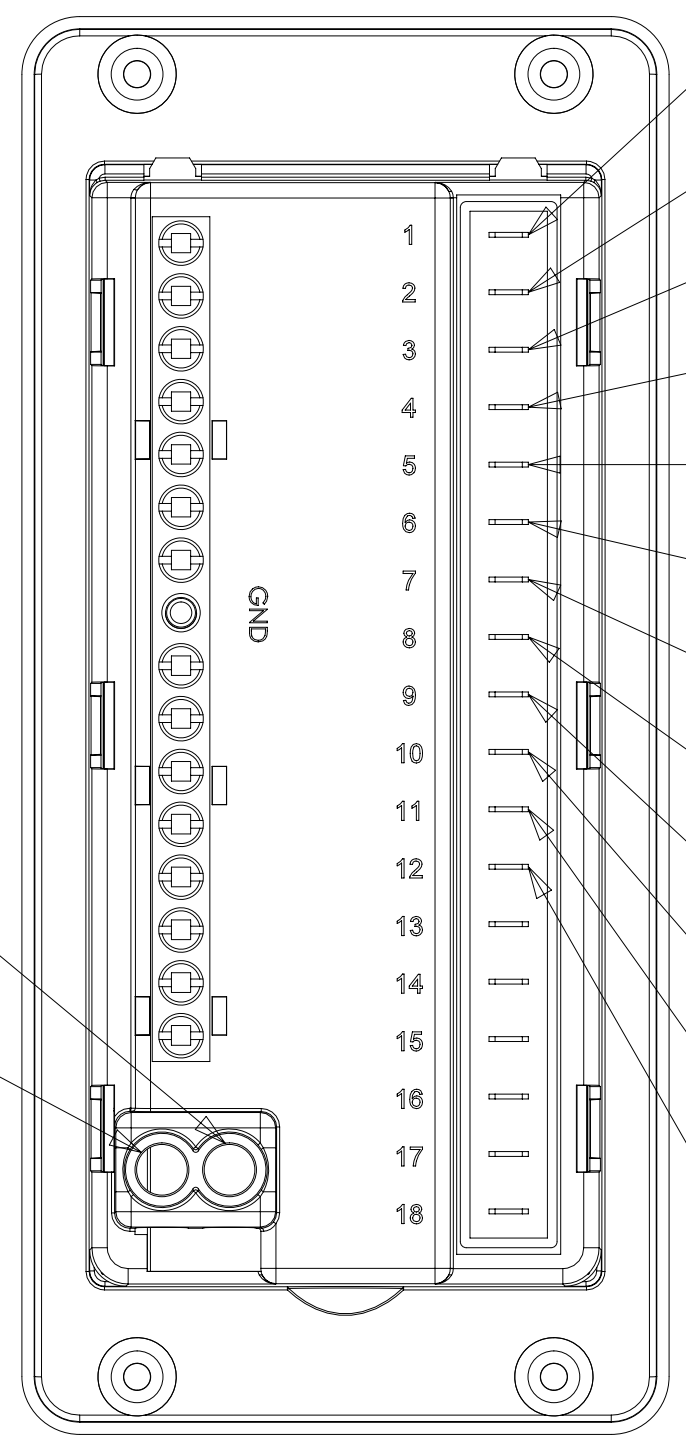
DETAIL CD
(FRONT SIDE)

SWITCH-ROCKER
108357-18-000
ACTUATOR-SWITCH
108356-19-CHT
PLATE-SWITCH
144363-02-CHT
SCREW
G11-06-10U (2)
WIRE ASM-THERMISTOR
186796-01-000

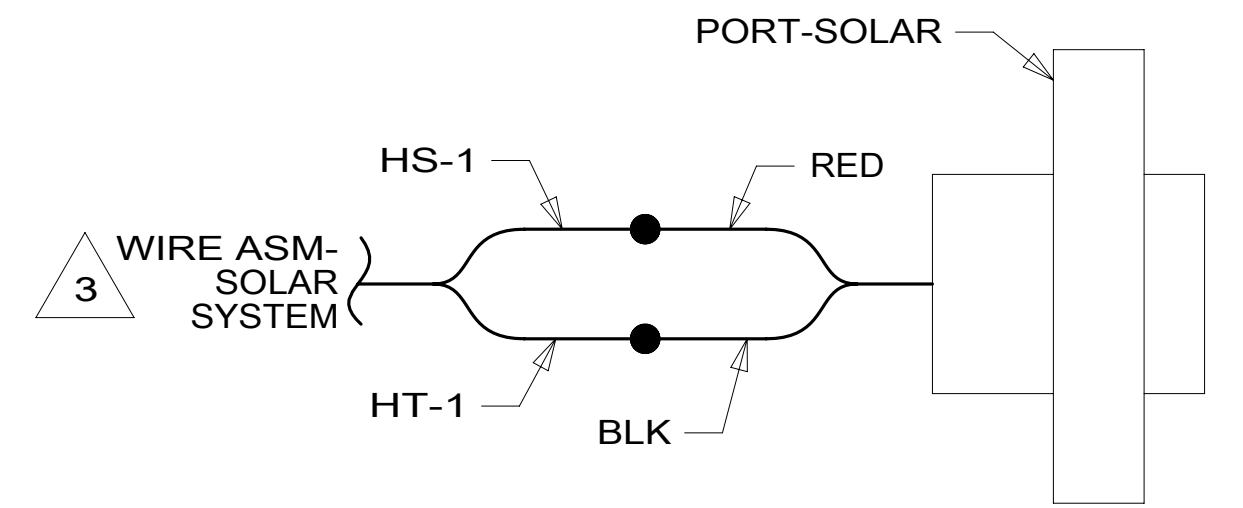


DETAIL CJ

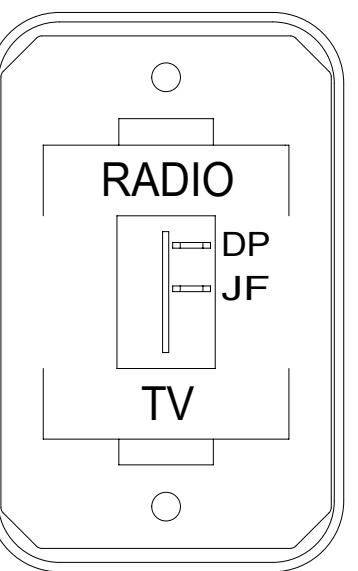
SWITCH-ROCKER
135740-01-CHT (2)
SWITCH-BASE
135741-02-CHT
SWITCH-BEZEL
135742-02-CHT
SCREW
G11-08-08U (4)



DETAIL CM
(BACK SIDE)

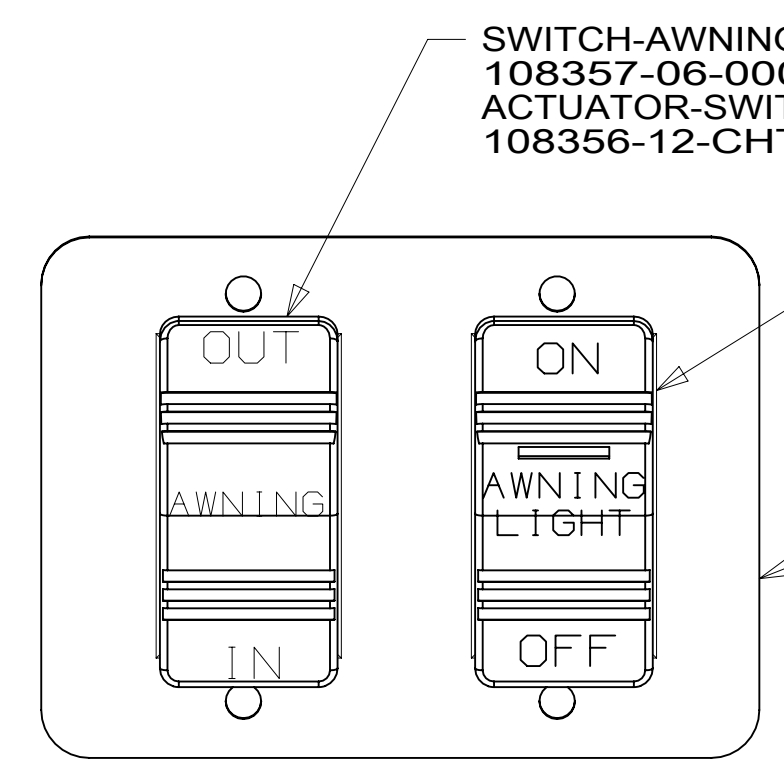


DETAIL CC 282



DETAIL CE

SWITCH-ROCKER
135740-01-CHT
SWITCH-BASE
135741-01-CHT
SWITCH-BEZEL
135742-40-CHT
SCREW
G11-08-08U (2)

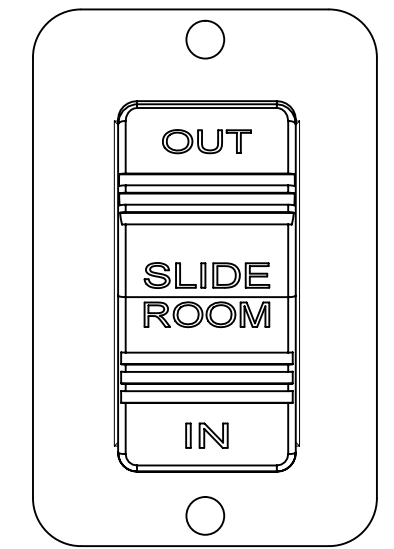


DETAIL CK
(FRONT SIDE)

SWITCH-AWNING
108357-06-000
ACTUATOR-SWITCH
108356-12-CHT

SWITCH-AWNING LIGHT
108357-14-000
ACTUATOR-SWITCH
108356-28-CHT

PLATE-SWITCH
158431-17-CHT
SCREW
G11-06-10U (4)



DETAIL CN

SWITCH-ROCKER
108357-07-000
ACTUATOR-SWITCH
108356-24-CHT
PLATE-SWITCH
144363-02-CHT
SCREW
G11-06-10U (2)

WARNING
CRUSH HAZARD. Keep people and objects clear of the inside and outside of the slideout room when operating. Failure to comply could result in death or serious injury.

LABEL-WARNING,SLIDEOUT
116549-02-000

- 282 SOLAR PANEL - 100 WATT
- 265 CODES/STANDARDS-CSA/CMVSS
- 1B1 CODES/STANDARDS USA

1B1 265

FIRST USED	15 170C
DO NOT SCALE DRAWING	
TITLE: WIRING INSTL-BODY, 12V	
SHEET 3	PART NO 187565 REV

FOR ELECTRICAL TORQUE SPECIFICATIONS SEE DWG NO. 128783-01-000

FOR ELECTRICAL CALLOUTS SEE DWG NO. 121339-01-000

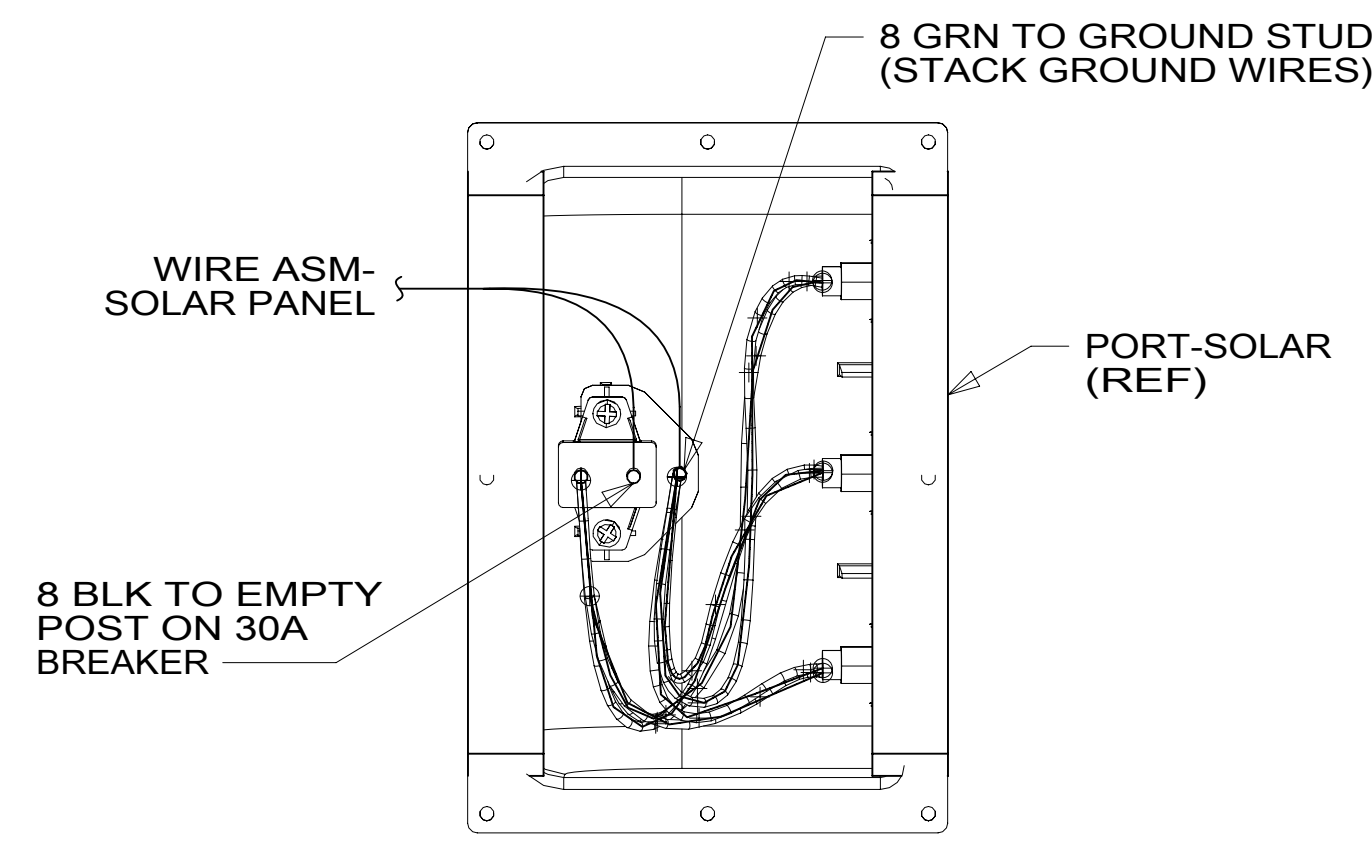
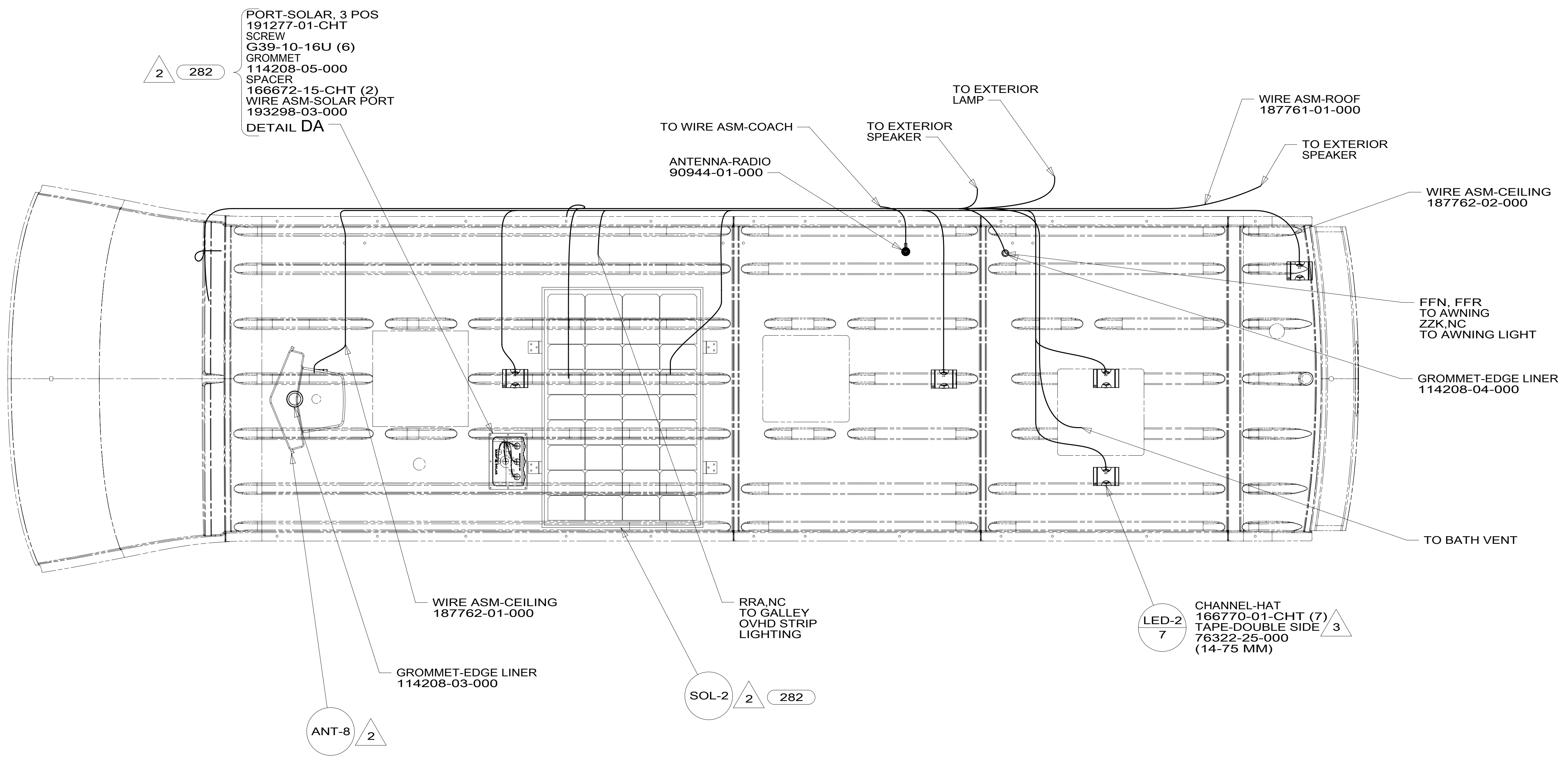
3 SEE WIRE ASM-SOLAR SYSTEM AND WIRE ASM-CHASSIS FOR ADDITIONAL INFORMATION.

2 CIRCUIT FROM WIRE ASM-COACH.

1 CIRCUIT FROM WIRE ASM-CHASSIS

NOTES:

187565



- 3 MOUNTED TO CEILING PANEL.
- 2 MOUNTED ON EXTERIOR SURFACE OF ROOF.

1. AT MINIMUM ALL WIRES TO BE SUPPORTED AND SECURED PER CODE REQUIREMENTS. USE CLAMP 10495 OR 10497 OR WIRE TIE 8343 OR 108046 AND SCREW G67-XX-XXX OR G56-XX-XXX AS APPROPRIATE FOR INSTALLATION.

NOTES:

- 282 SOLAR PANEL - 100 WATT
- 265 CODES/STANDARDS-CSA/CMVSS
- 1B1 CODES/STANDARDS USA

FIRST USED	
15 170C	
DO NOT SCALE DRAWING	
WIRING INSTL-BODY, 12V	
SHEET 4	PART NO 187565 REV

FOR ELECTRICAL TORQUE SPECIFICATIONS SEE DWG NO. 128783-01-000

FOR ELECTRICAL CALLOUTS SEE DWG NO. 121339-01-000

*187565 *A