



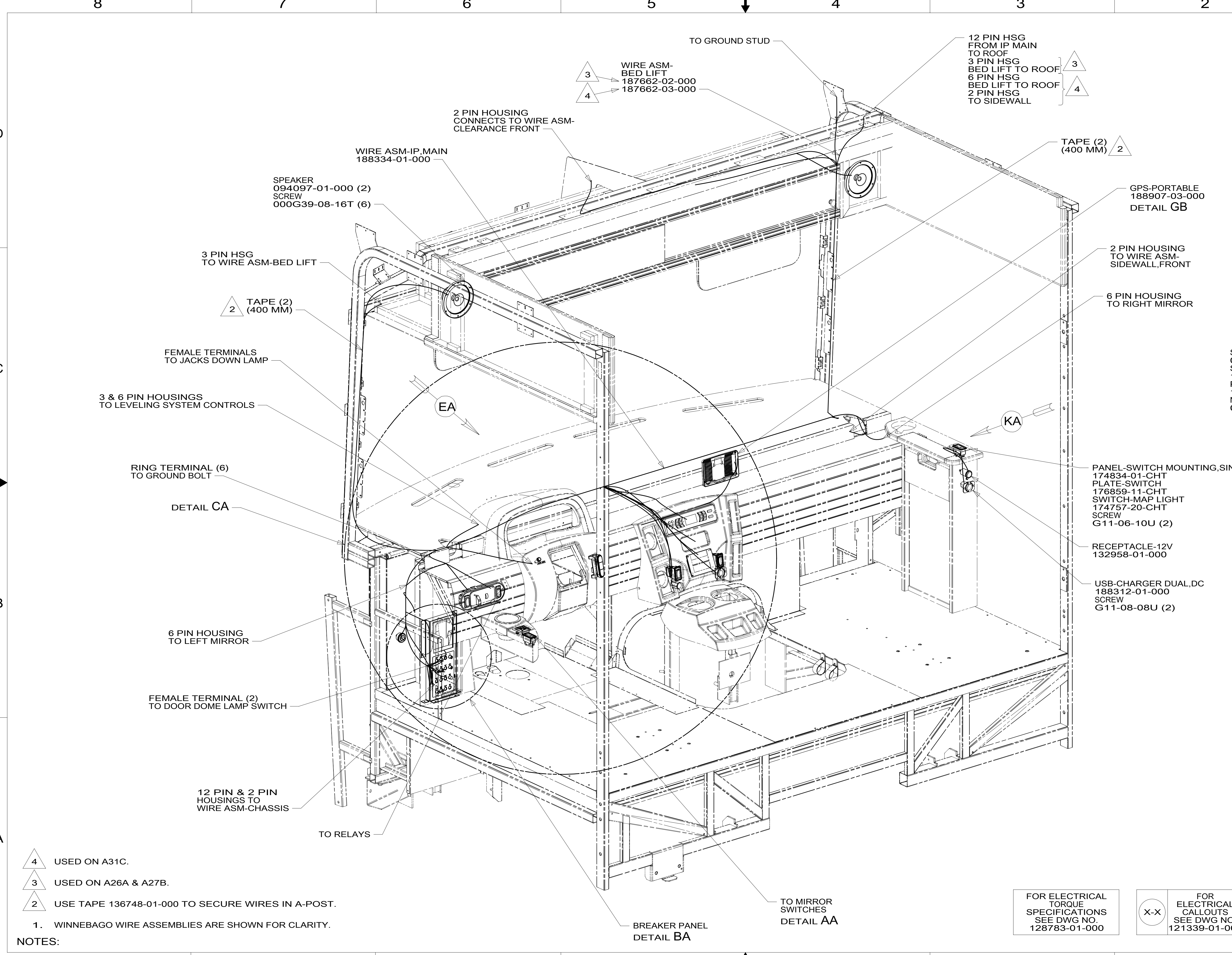
**DANGER**

**Danger of electrical shock, burns or death.** Always remove all power sources before attempting any repair, service or diagnostic work. Power can be present from shore power, generator, inverter or battery. All power sources must be disabled and secured before performing any service.

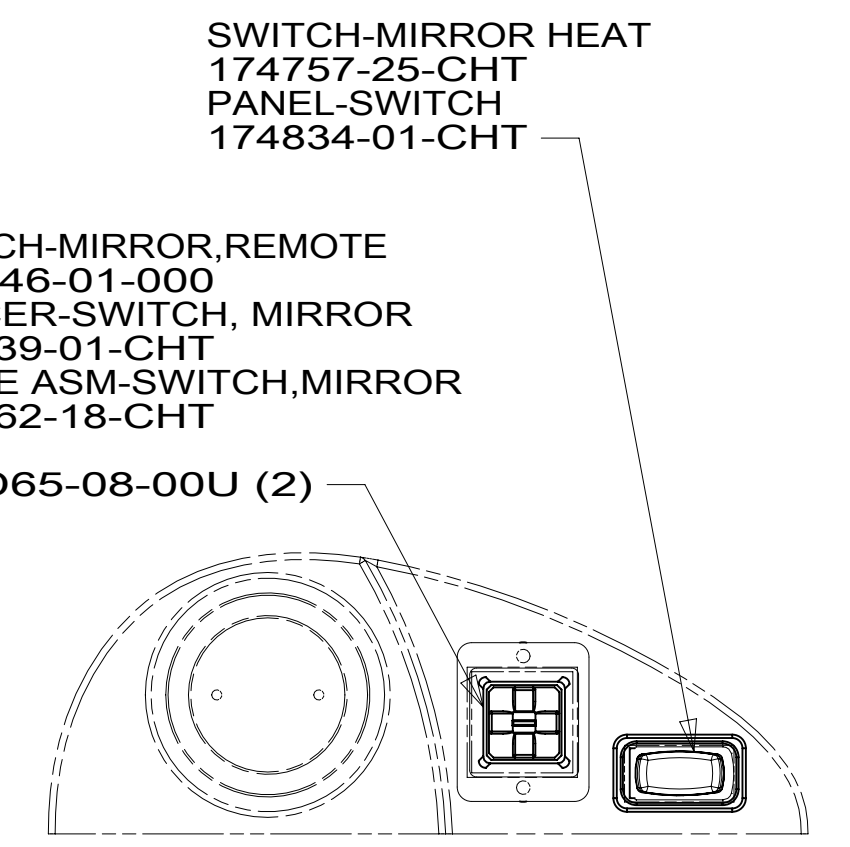


**CAUTION**

If you lack the skills, tools or equipment to perform diagnostic or repair work leave such work to an authorized Winnebago Industries dealer or other qualified shop.



- NOTES:
- 4 USED ON A31C.
  - 3 USED ON A26A & A27B.
  - 2 USE TAPE 136748-01-000 TO SECURE WIRES IN A-POST.
  - 1. WINNEBAGO WIRE ASSEMBLIES ARE SHOWN FOR CLARITY.



DETAIL AA

- 265 CODES/STANDARDS-CSA/CMVSS
- 1B1 CODES/STANDARDS USA
- 1B1 265

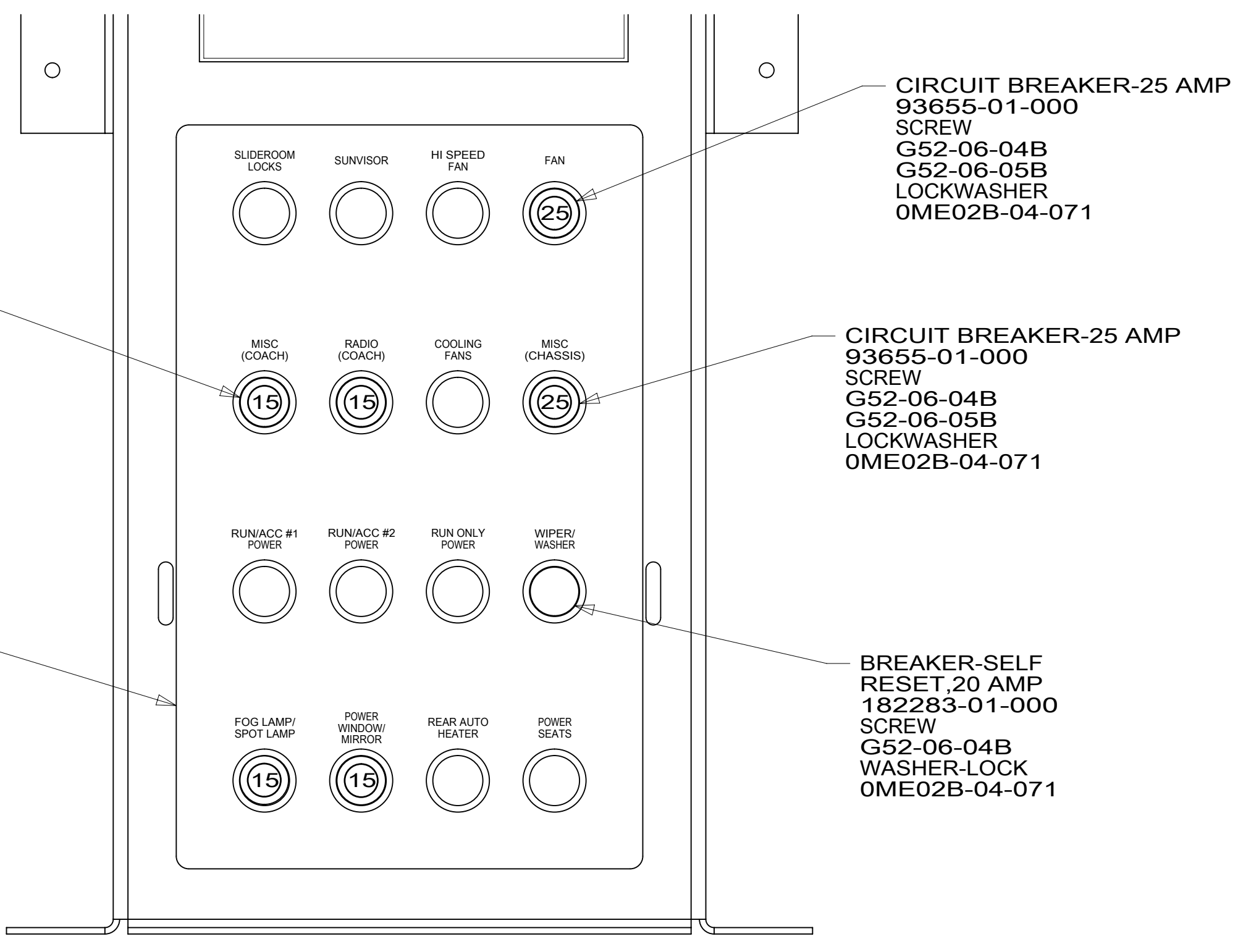
**WINNEBAGO** COPYRIGHT 2014 WINNEBAGO INDUSTRIES, INC.

DFTR	ORIG. DATE
CHKR	ALL DIMENSIONS ARE IN MILLIMETERS
P.E.	FIRST USED
M.E.	
DSNR	<b>15 A-SERIES</b>
UNSPECIFIED TOLERANCES ARE:	
WHOLE DIM (X)	: 3
ONE-PLACE (X.X)	: 1.5
TWO-PLACE (X.XX)	: 0.50
ANGLE	: 1°
THIRD ANGLE PROJECTION	
DO NOT SCALE DRAWING	REFER TO ES0018 FOR FASTENER TIGHTENING GUIDELINES
TITLE: <b>WIRING INSTL-FRONT END</b>	
SHEET 1 OF 10	PART NO <b>187524</b> REV
REF:	1 07-Jul-2015

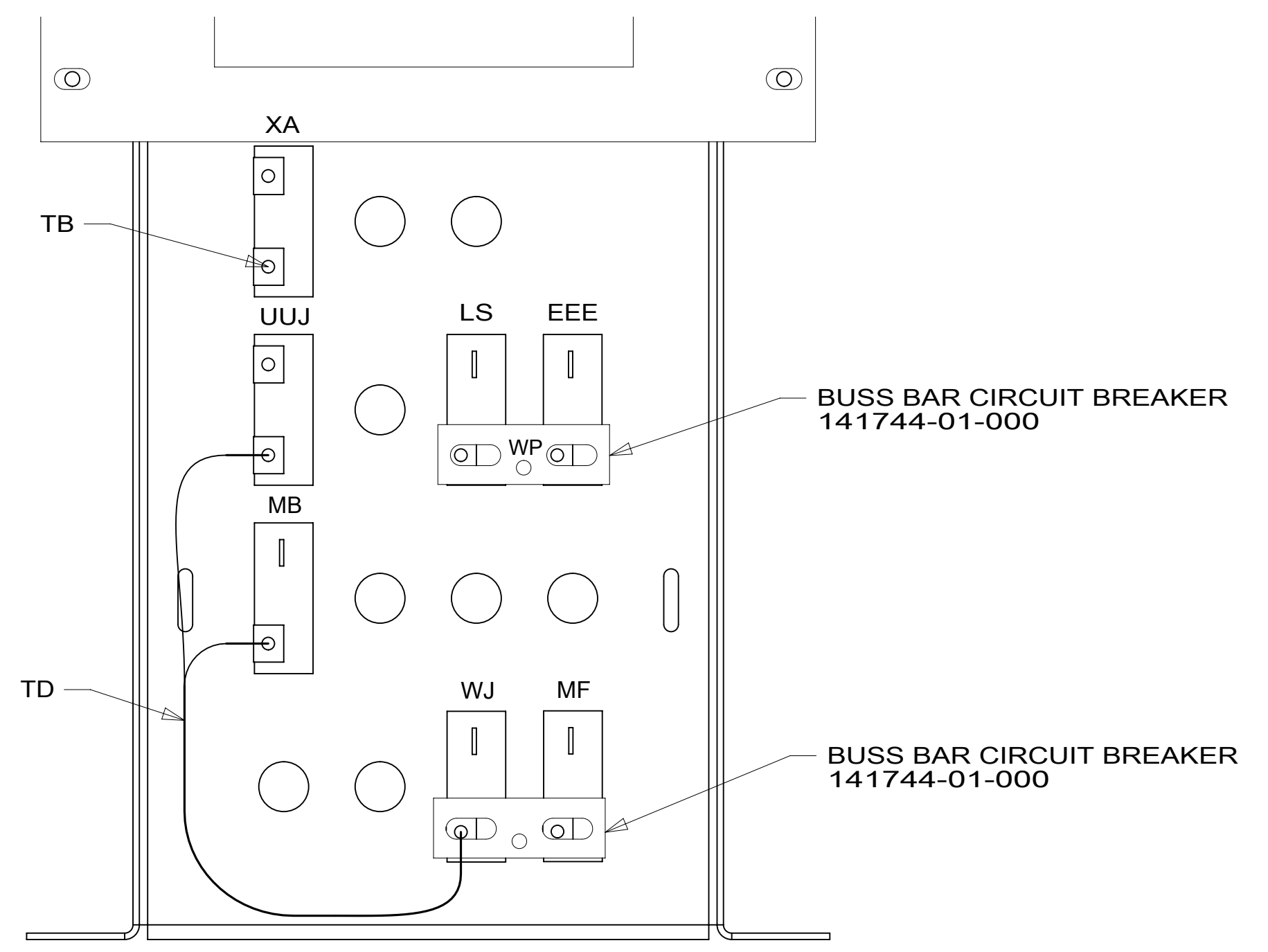
FOR ELECTRICAL TORQUE SPECIFICATIONS SEE DWG NO. 128783-01-000

FOR ELECTRICAL CALLOUTS SEE DWG NO. 121339-01-000

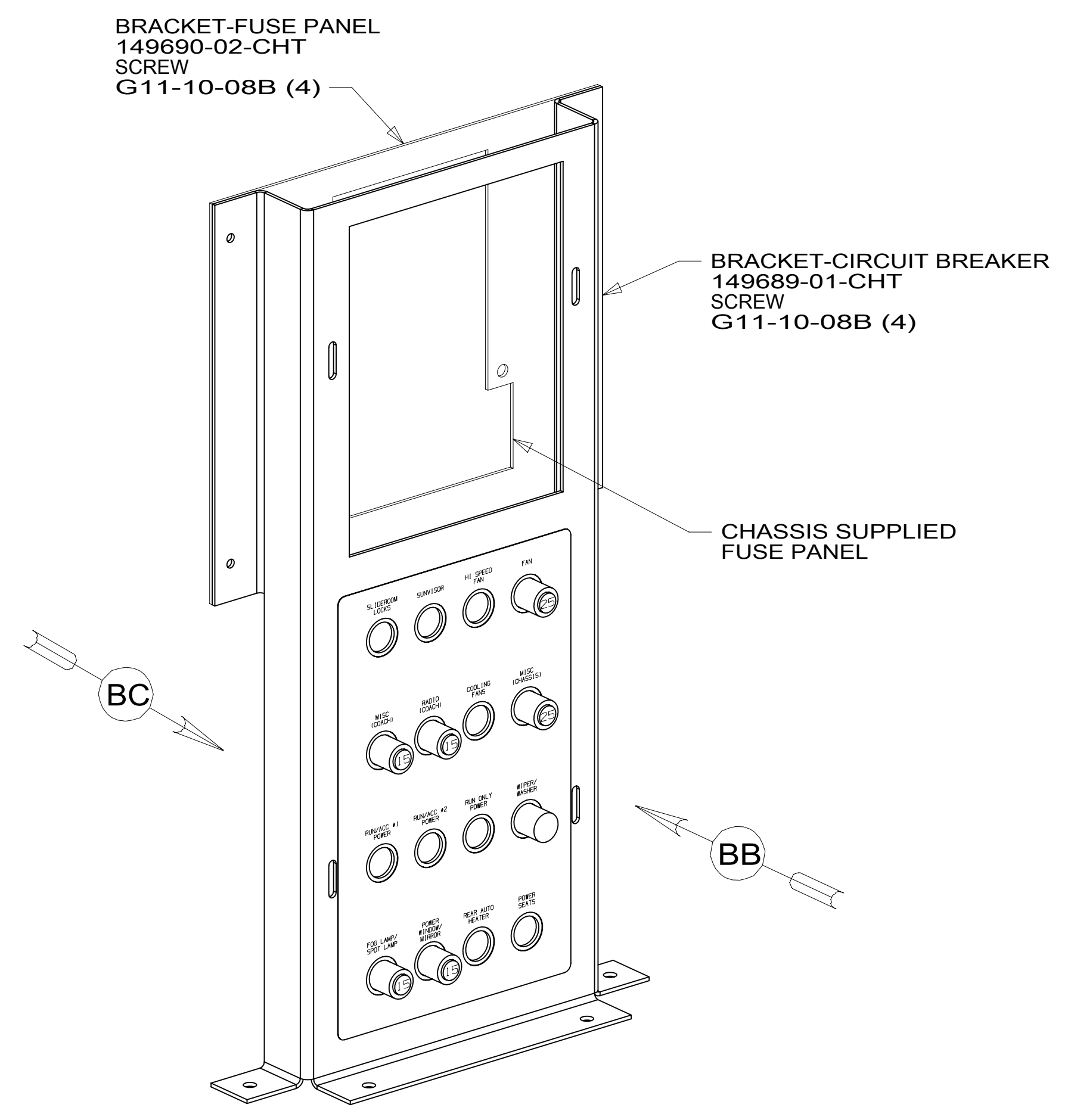
\*187524\*



VIEW BB



VIEW BC 1



DETAIL BA

1 ALL CIRCUITS ARE IN WIRE ASM-IP,MAIN.  
NOTES:

FOR ELECTRICAL TORQUE SPECIFICATIONS SEE DWG NO. 128783-01-000

X-X FOR ELECTRICAL CALLOUTS SEE DWG NO. 121339-01-000

- 265 CODES/STANDARDS-CSA/CMVSS
- 1B1 CODES/STANDARDS USA
- 1B1 265

FIRST USED	
<b>15 A-SERIES</b>	
DO NOT SCALE DRAWING	
TITLE: <b>WIRING INSTL-FRONT END</b>	
SHEET 2	PART NO <b>187524</b> REV

\*187524 \*A

2 1 LIGHT ASM-INDICATOR,RED  
190682-01-000  
LABEL-JACKS DOWN  
133533-01-CHT

RELAY  
63912-02-000 (4)  
SCREW  
G11-08-08U (4)  
BRACKET-MOUNT,RELAY  
189238-01-CHT  
SCREW  
G11-08-08U (2)

DETAIL DA

STUD-FEED THRU  
118499-01-000

DETAIL DB

DETAIL CA

2 WIRING FROM LEVELING SYSTEM. SEE LEVELING SYSTEM  
INSTL FOR ADDITIONAL INFORMATION.

1 CONNECT POSITIVE WIRE TO TERMINAL MARKED WITH "RED".

NOTES:

FOR ELECTRICAL  
TORQUE  
SPECIFICATIONS  
SEE DWG NO.  
128783-01-000

X-X  
FOR  
ELECTRICAL  
CALLOUTS  
SEE DWG NO.  
121339-01-000

265 CODES/STANDARDS-CSA/CMVSS

1B1 CODES/STANDARDS USA

1B1 265

FIRST USED  
**15 A-SERIES**

DO NOT SCALE DRAWING

TITLE:  
**WIRING INSTL-FRONT END**

SHEET 3 PART NO **187524** REV

\*187524 \*A

8

7

6

5

4

3

2

1

SWITCH-FOG LIGHTS  
174757-23-CHT

BEZEL-SWITCH,HEADLAMP,FD  
187268-01-CHT  
SCREW-CNSK  
000G13-06-12U (4)

INFORMATION SWITCH  
BEZEL-SWITCH  
172173-01-CHT  
CLAMP-BEZEL  
172175-01-CHT  
SCREW  
G11-08-08U (2)

RADIO-AM/FM/STEREO  
BLUETOOTH  
188373-02-000  
SCREW  
76790-01-000(2)  
DETAIL GA

SWITCH-BATTERY BOOST  
174757-31-CHT

SWITCH-BLANK  
145754-01-CHT

USB-CHARGER DUAL,DC  
188312-01-000

DETAIL DA

SWITCH-RADIO POWER  
174757-12-CHT

RECEPTACLE-12V  
111414-01-000

DETAIL DB

265 CODES/STANDARDS-CSA/CMVSS

1B1 CODES/STANDARDS USA

1B1 265

FIRST USED  
**15 A-SERIES**

DO NOT SCALE DRAWING

TITLE:  
**WIRING INSTL-FRONT END**

SHEET 4 PART NO **187524** REV

07-Jul-2015

2 REMOVE PLATE AND DISCARD BEFORE INSTALLING.

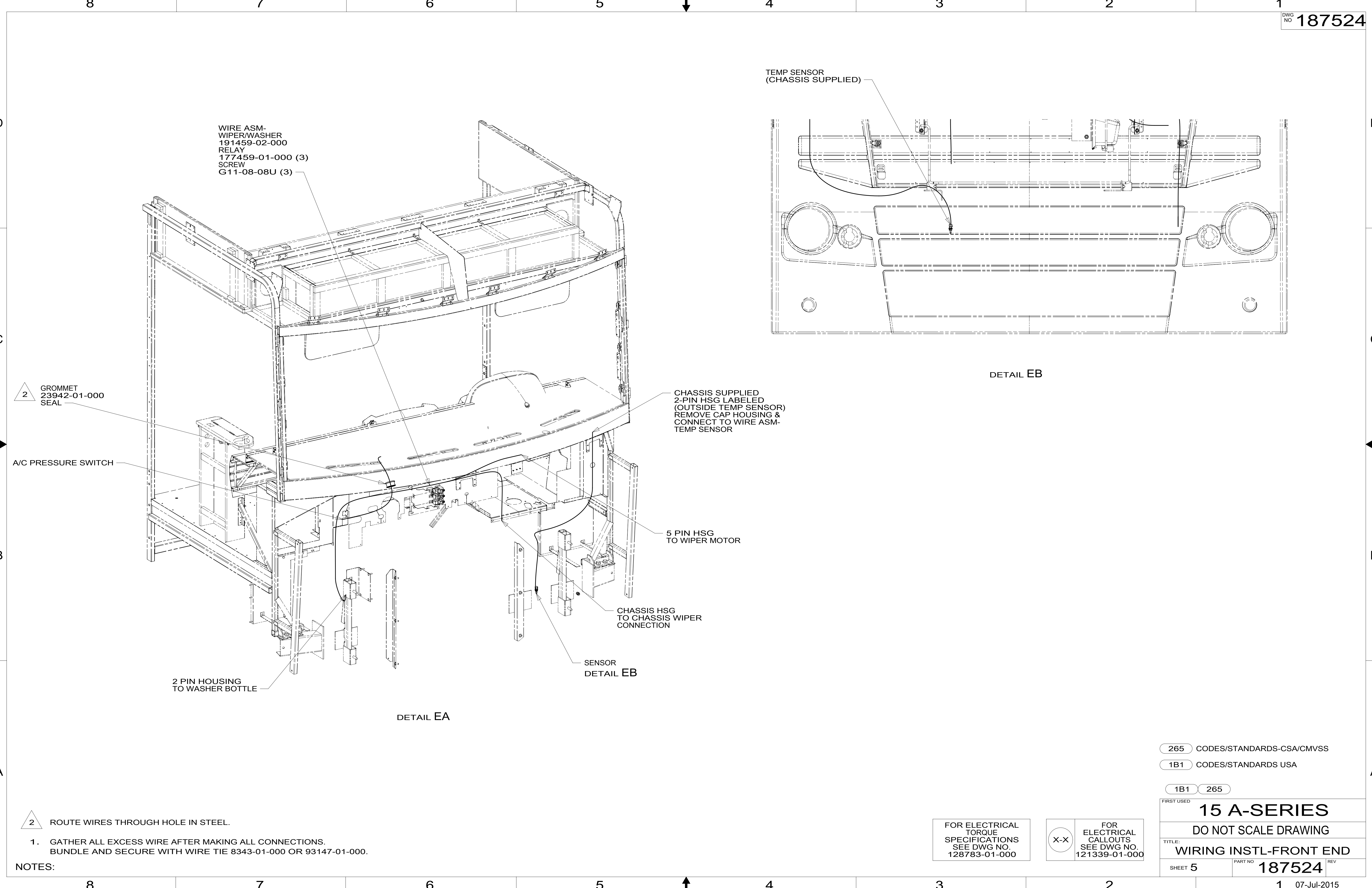
1 CHASSIS SUPPLIED.

NOTES:

FOR ELECTRICAL  
TORQUE  
SPECIFICATIONS  
SEE DWG NO.  
128783-01-000

X-X  
FOR  
ELECTRICAL  
CALLOUTS  
SEE DWG NO.  
121339-01-000

\*187524 \*A



WIRE ASM-  
WIPER/WASHER  
191459-02-000  
RELAY  
177459-01-000 (3)  
SCREW  
G11-08-08U (3)

2 GROMMET  
23942-01-000  
SEAL

A/C PRESSURE SWITCH

2 PIN HOUSING  
TO WASHER BOTTLE

DETAIL EA

CHASSIS SUPPLIED  
2-PIN HSG LABELED  
(OUTSIDE TEMP SENSOR)  
REMOVE CAP HOUSING &  
CONNECT TO WIRE ASM-  
TEMP SENSOR

5 PIN HSG  
TO WIPER MOTOR

CHASSIS HSG  
TO CHASSIS WIPER  
CONNECTION

SENSOR  
DETAIL EB

TEMP SENSOR  
(CHASSIS SUPPLIED)

DETAIL EB

2 ROUTE WIRES THROUGH HOLE IN STEEL.

- GATHER ALL EXCESS WIRE AFTER MAKING ALL CONNECTIONS.  
BUNDLE AND SECURE WITH WIRE TIE 8343-01-000 OR 93147-01-000.

NOTES:

265 CODES/STANDARDS-CSA/CMVSS

1B1 CODES/STANDARDS USA

1B1 265

FIRST USED  
**15 A-SERIES**

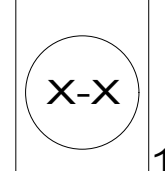
DO NOT SCALE DRAWING

TITLE: **WIRING INSTL-FRONT END**

SHEET 5 PART NO **187524** REV

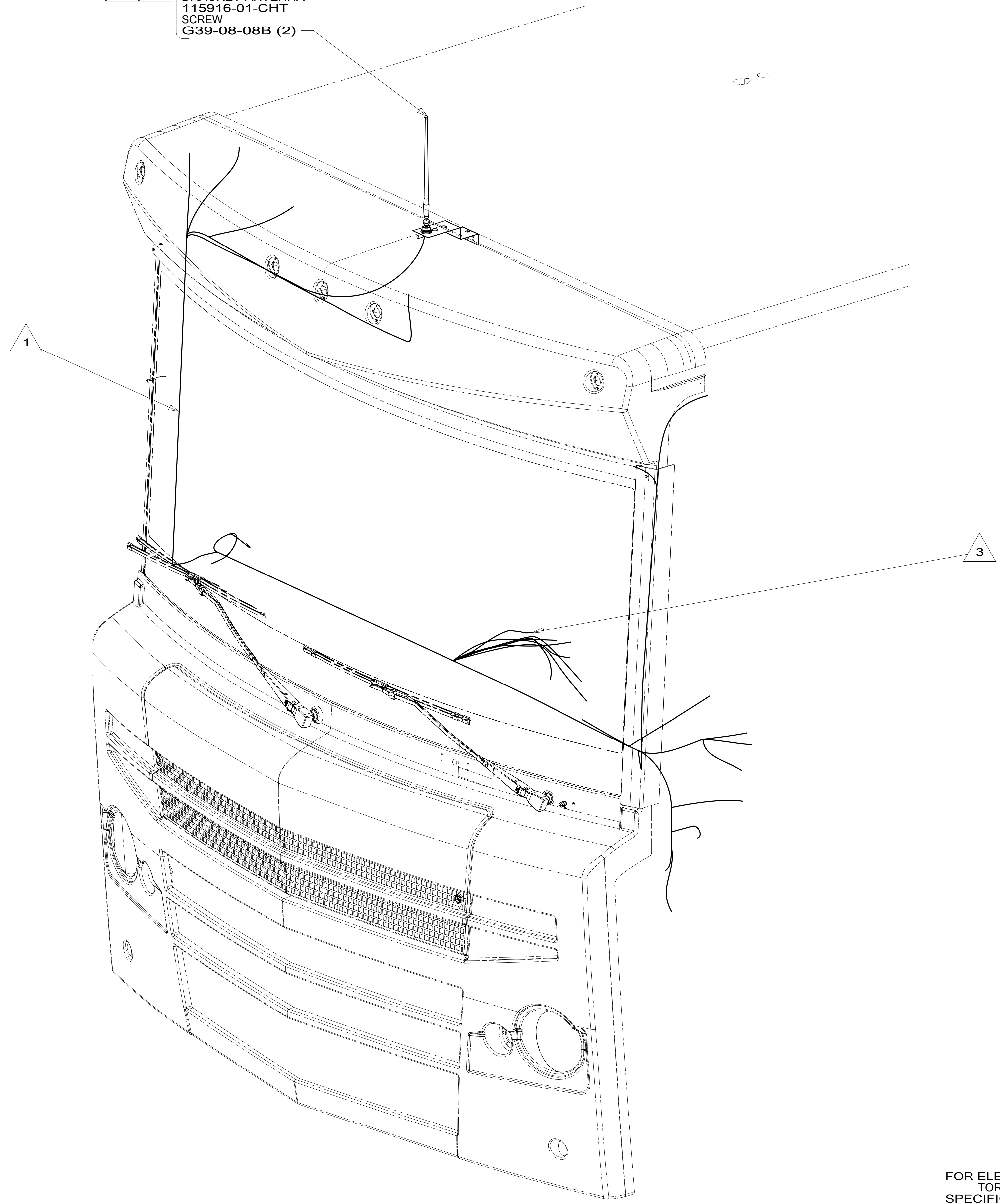
FOR ELECTRICAL  
TORQUE  
SPECIFICATIONS  
SEE DWG NO.  
128783-01-000

FOR  
ELECTRICAL  
CALLOUTS  
SEE DWG NO.  
121339-01-000



\*187524\*

ANTENNA-RADIO  
90944-02-000  
CABLE ASM-ANTENNA  
90944-03-000  
BRACKET-ANTENNA  
115916-01-CHT  
SCREW  
G39-08-08B (2)



- 5 REMOVE AND REINSTALL AFTER PAINT.
- 4 USE HOLE IN BRACKET AS GUIDE TO DRILL 13 DIAMETER HOLE IN FIBERGLASS.
- 3 TO RADIO.
- 2 SEAL AROUND ANTENNA BASE.
- 1 ROUTE CABLE ALONG A-POST, UNDER TRIM COVER.

NOTES:

FOR ELECTRICAL TORQUE SPECIFICATIONS SEE DWG NO. 128783-01-000

FOR ELECTRICAL CALLOUTS SEE DWG NO. 121339-01-000

265 CODES/STANDARDS-CSA/CMVSS

1B1 CODES/STANDARDS USA

1B1 265

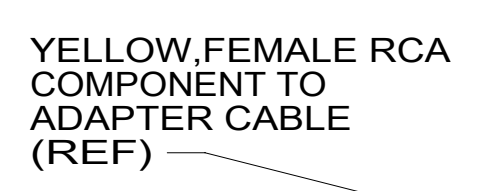
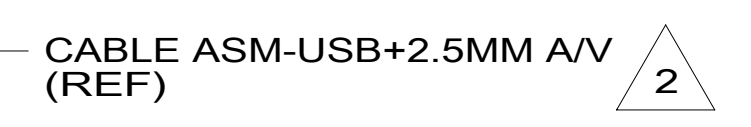
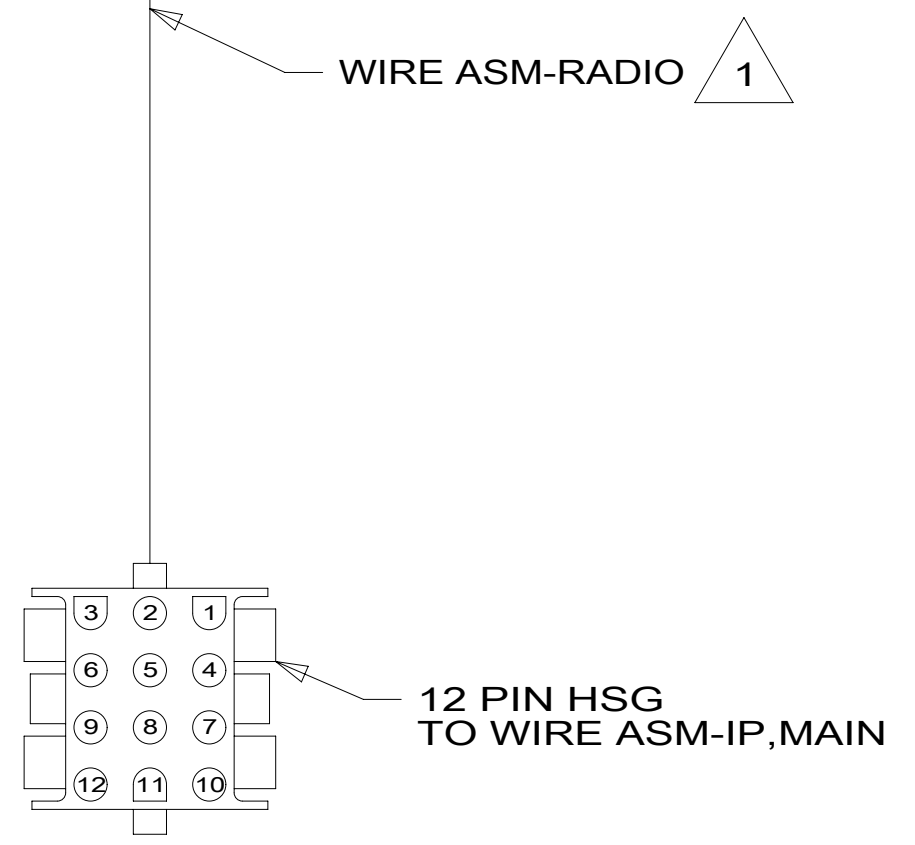
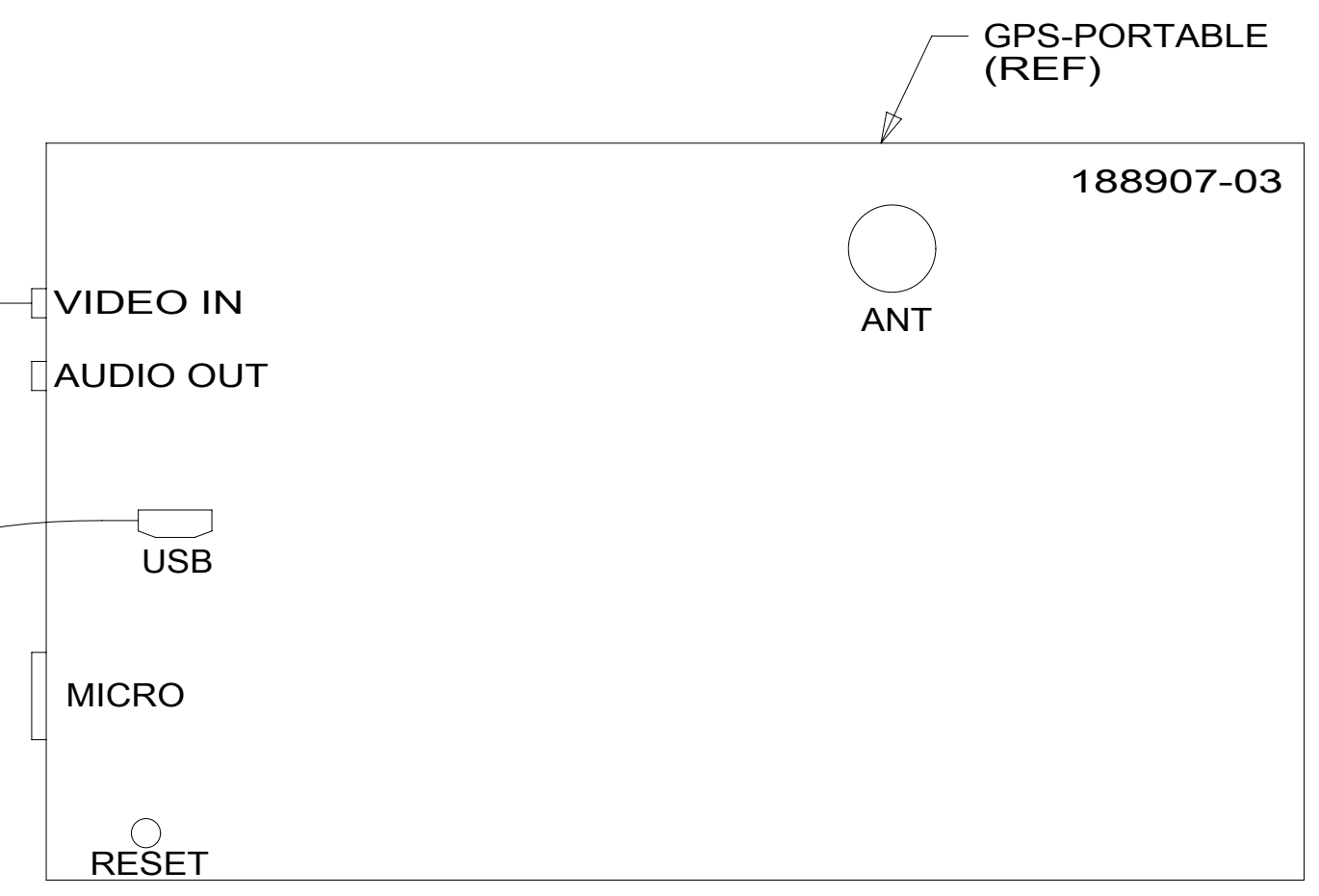
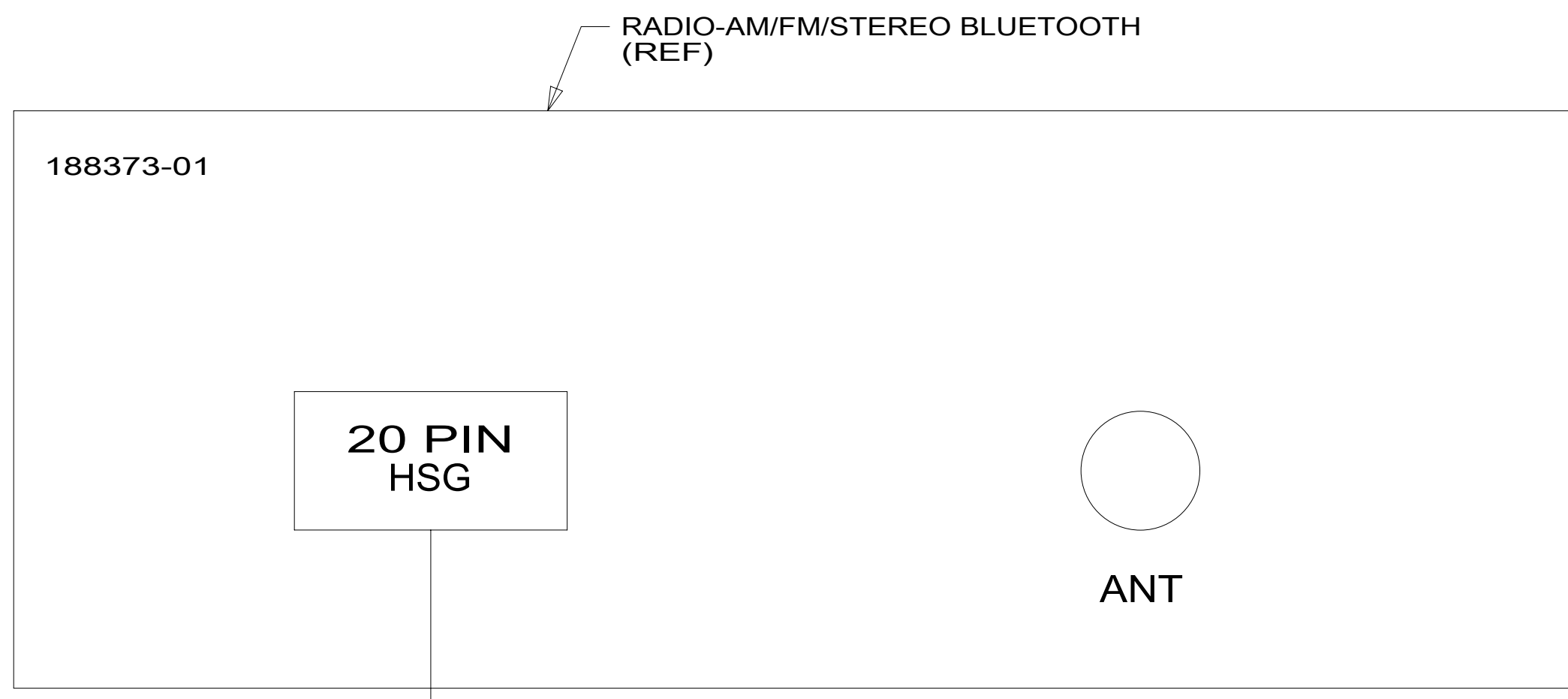
FIRST USED **15 A-SERIES**

DO NOT SCALE DRAWING

TITLE: **WIRING INSTL-FRONT END**

SHEET 6 PART NO **187524** REV

\*187524 \*A



WIRE ASM-RADIO 1

DETAIL GA

DETAIL GB

- NOTES:
- 2 SEE DASH INSTL FOR ADDITIONAL INFORMATION.
  - 1 WIRE ASM-SUPPLIED WITH RADIO.

FOR ELECTRICAL TORQUE SPECIFICATIONS SEE DWG NO. 128783-01-000

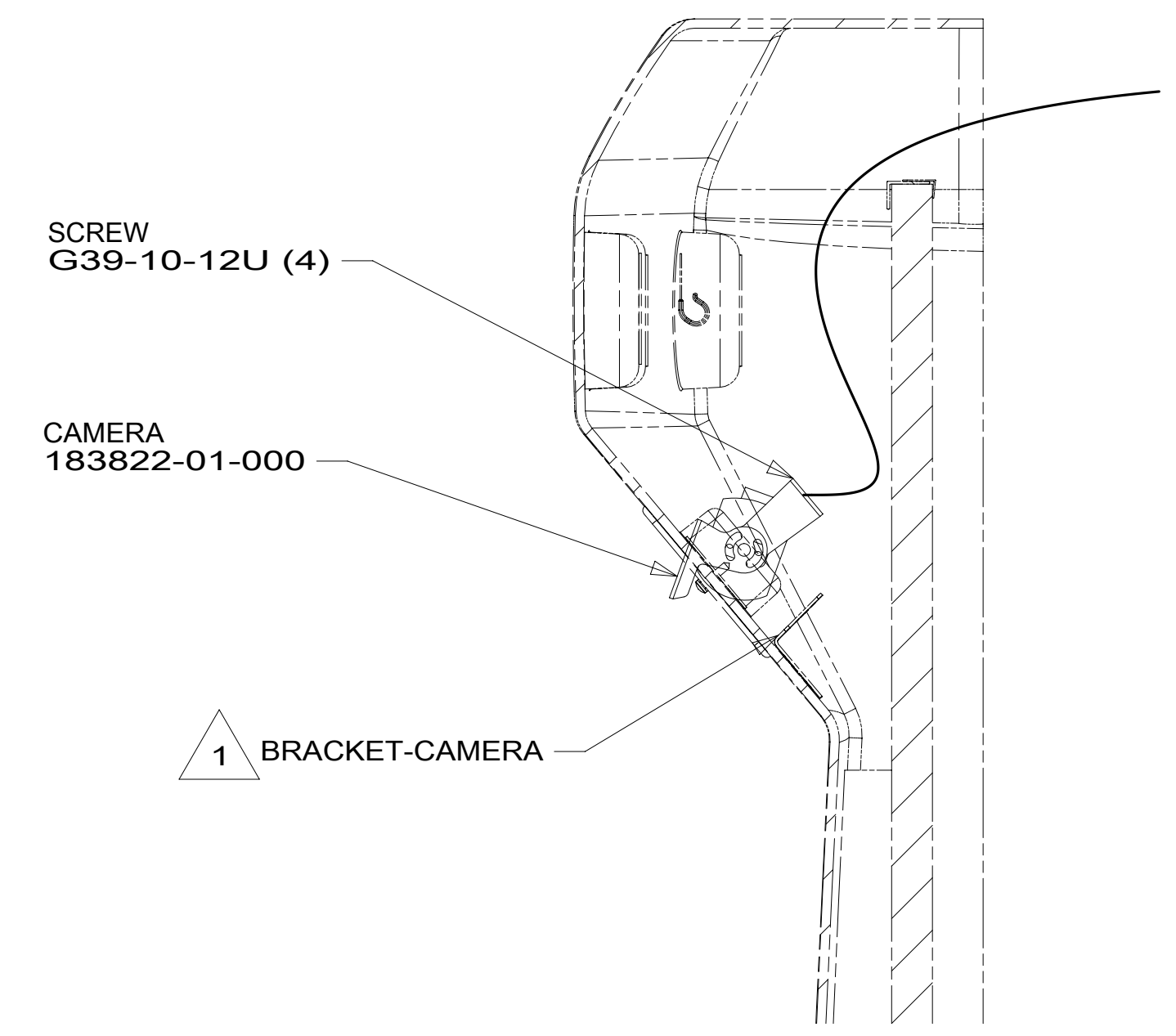
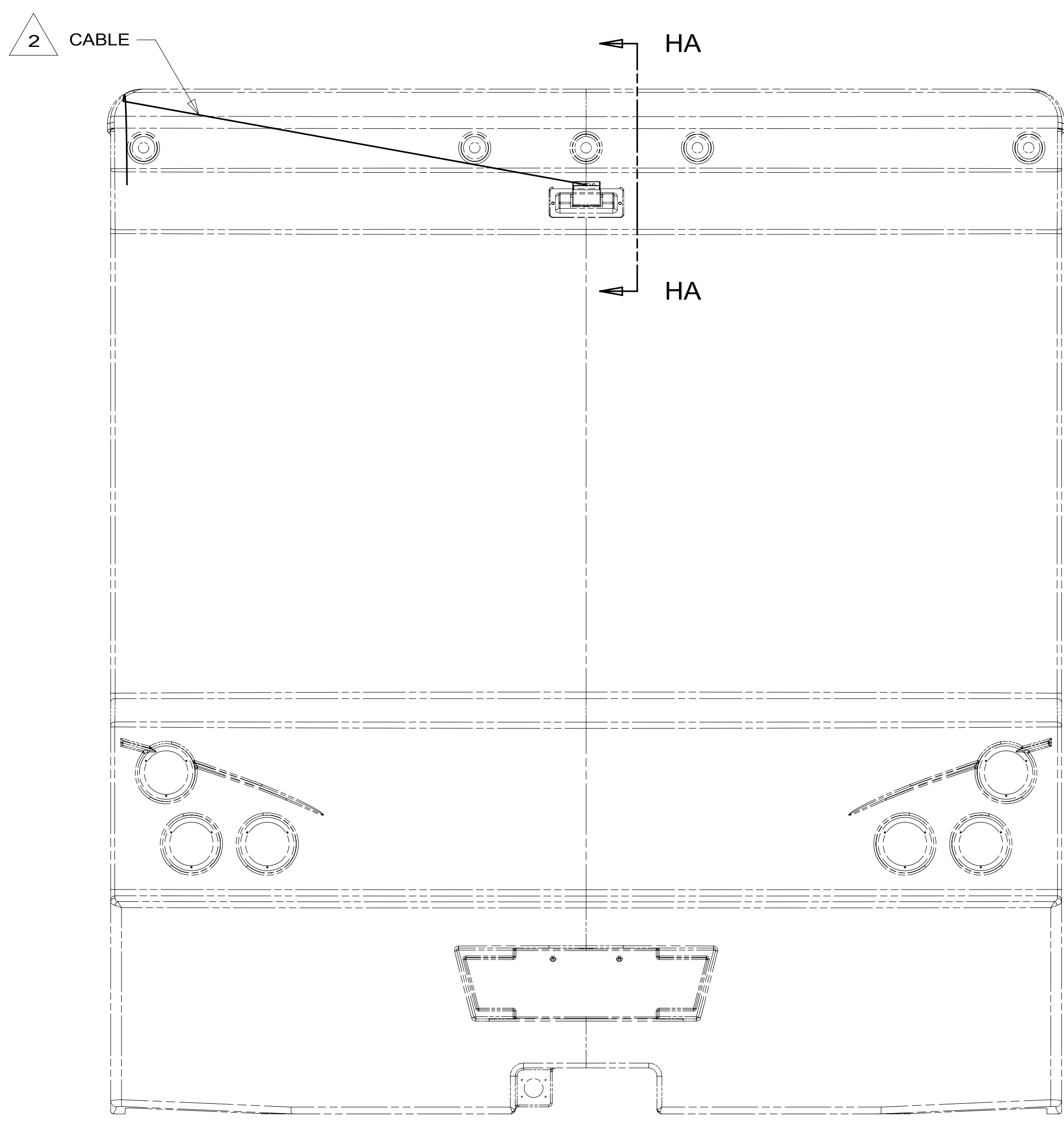
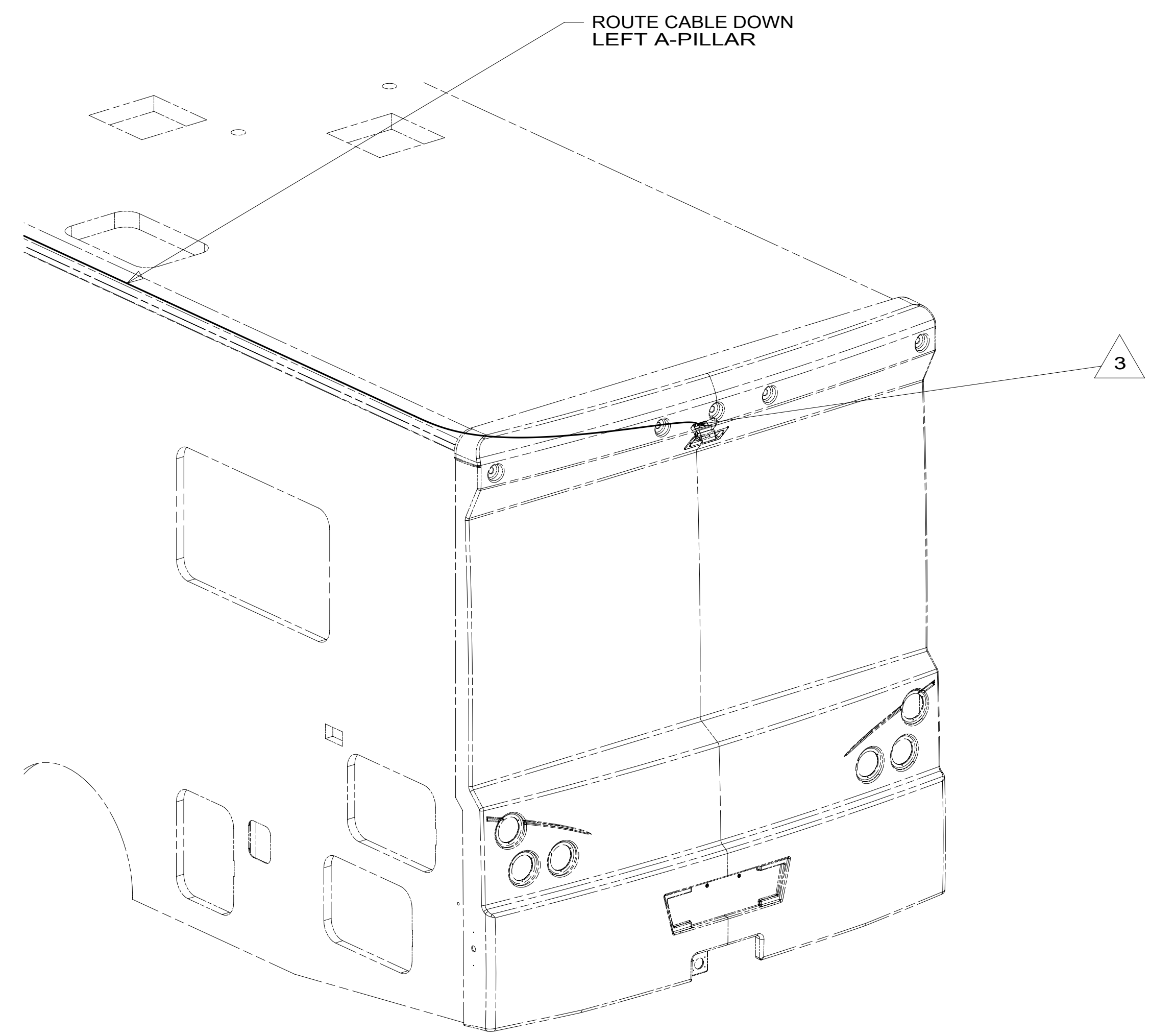
FOR ELECTRICAL CALLOUTS SEE DWG NO. 121339-01-000

- 265 CODES/STANDARDS-CSA/CMVSS
- 1B1 CODES/STANDARDS USA
- 1B1 265

FIRST USED	
<b>15 A-SERIES</b>	
DO NOT SCALE DRAWING	
TITLE: <b>WIRING INSTL-FRONT END</b>	
SHEET 7	PART NO <b>187524</b> REV
1 07-Jul-2015	

\*187524 \*A





- NOTES:
- 3 ALIGN CAMERA TO CENTER OF BACKWALL AND ADJUST SO BACKWALL IS JUST VISIBLE.
  - 2 RUN CABLE THRU LEFT-HAND COVE TO REAR OF UNIT.
  - 1 PARTS SUPPLIED WITH CAMERA KIT.

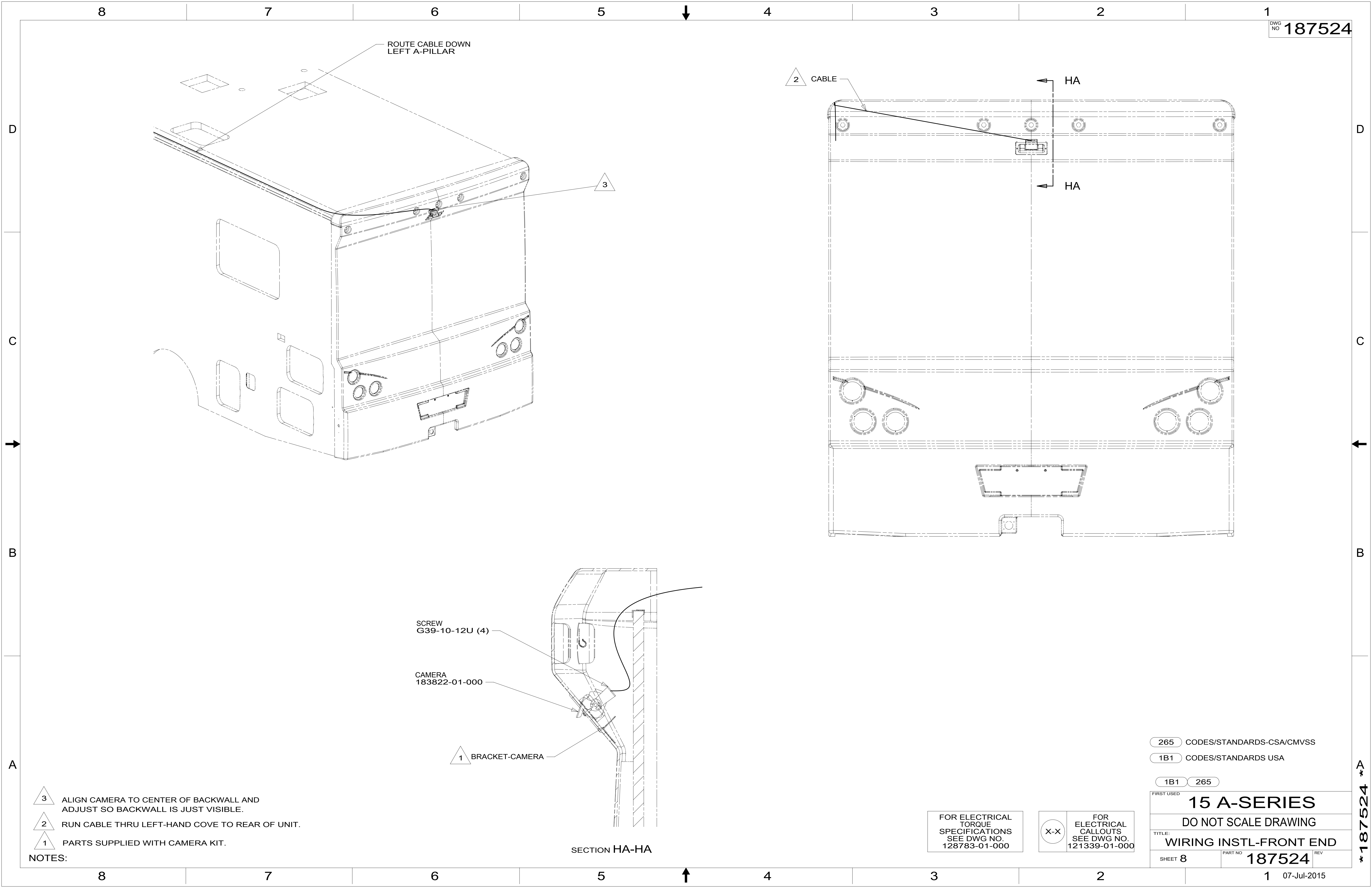
FOR ELECTRICAL TORQUE SPECIFICATIONS SEE DWG NO. 128783-01-000

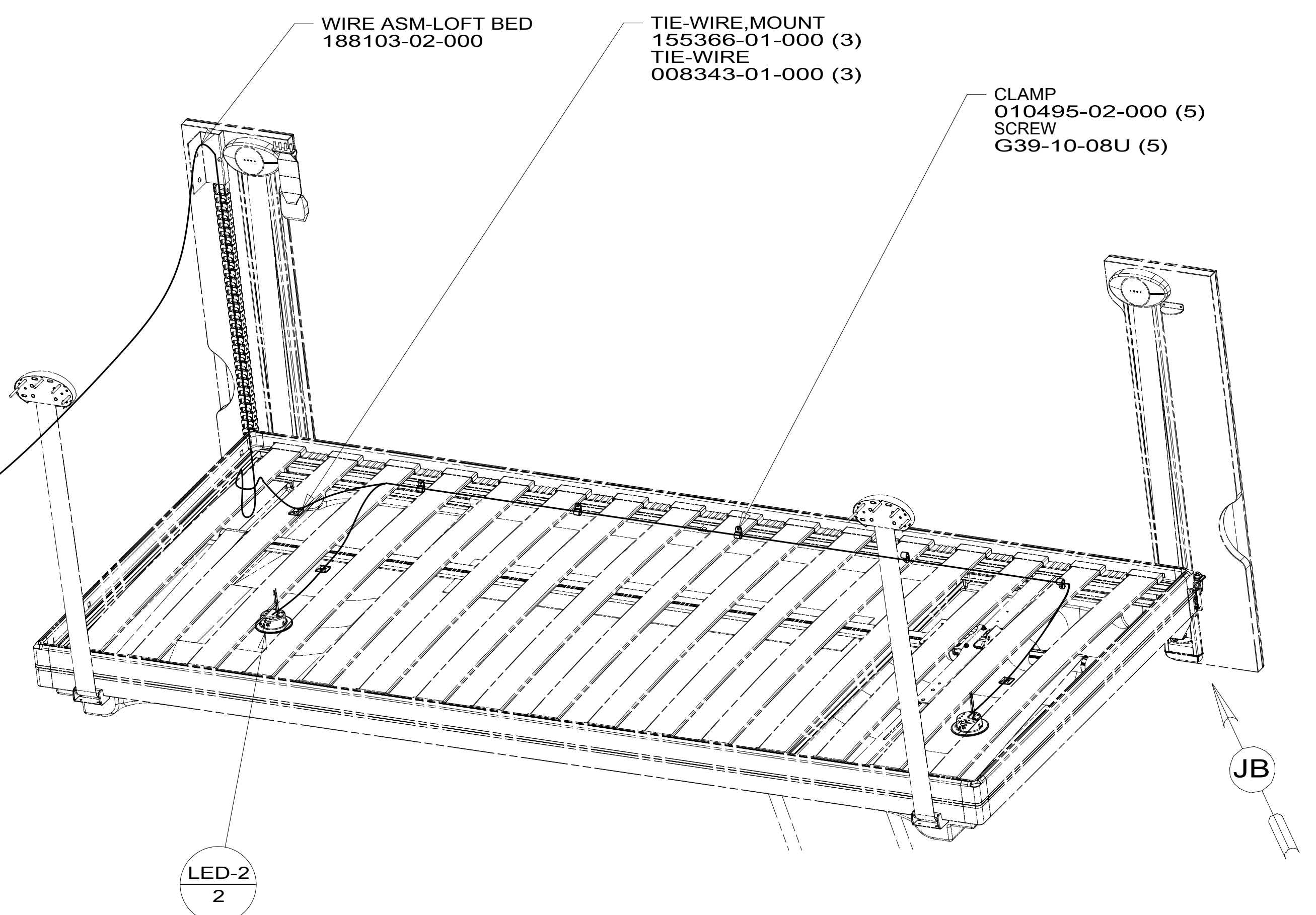
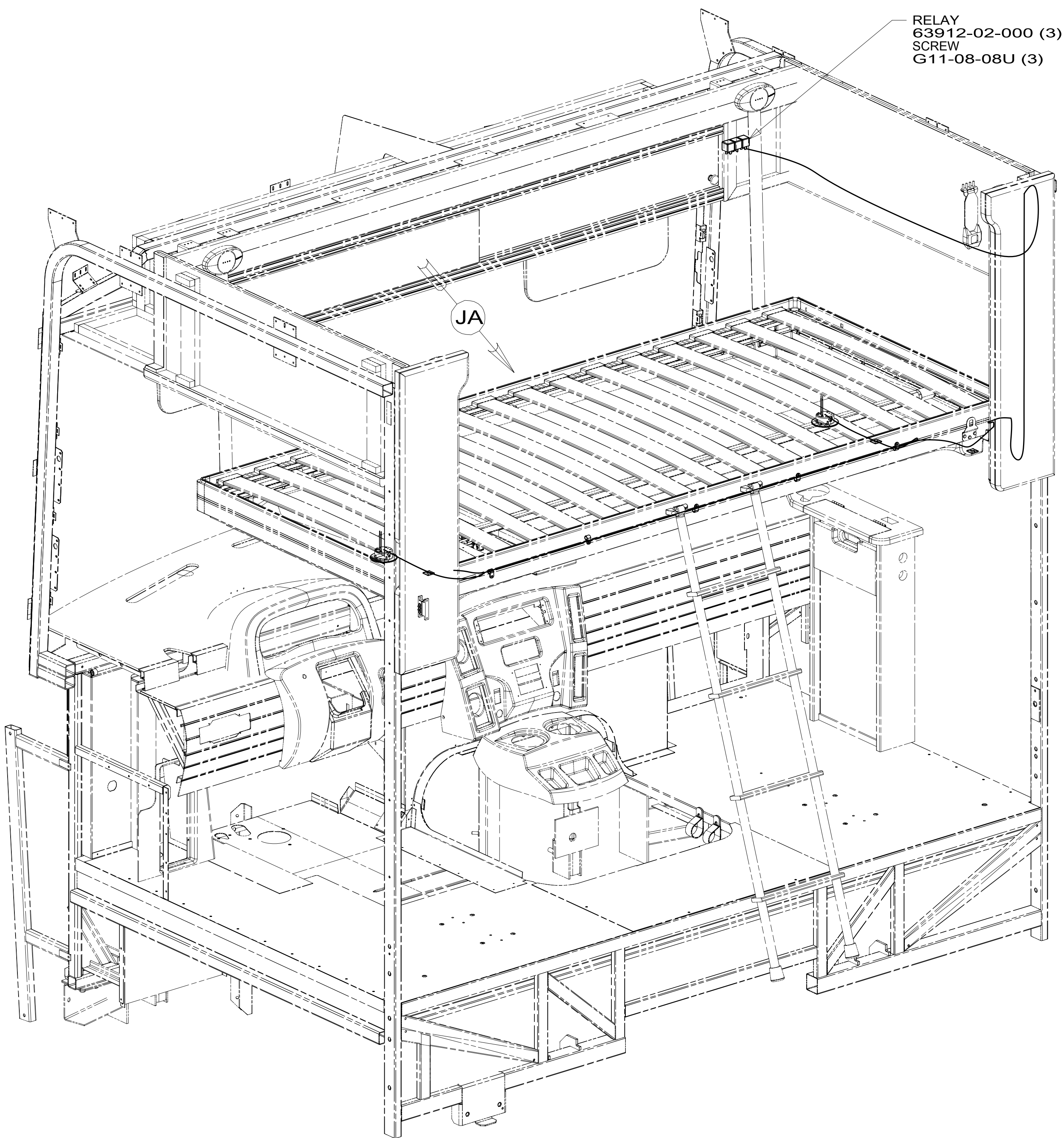
FOR ELECTRICAL CALLOUTS SEE DWG NO. 121339-01-000

265 CODES/STANDARDS-CSA/CMVSS  
 1B1 CODES/STANDARDS USA  
 1B1 265

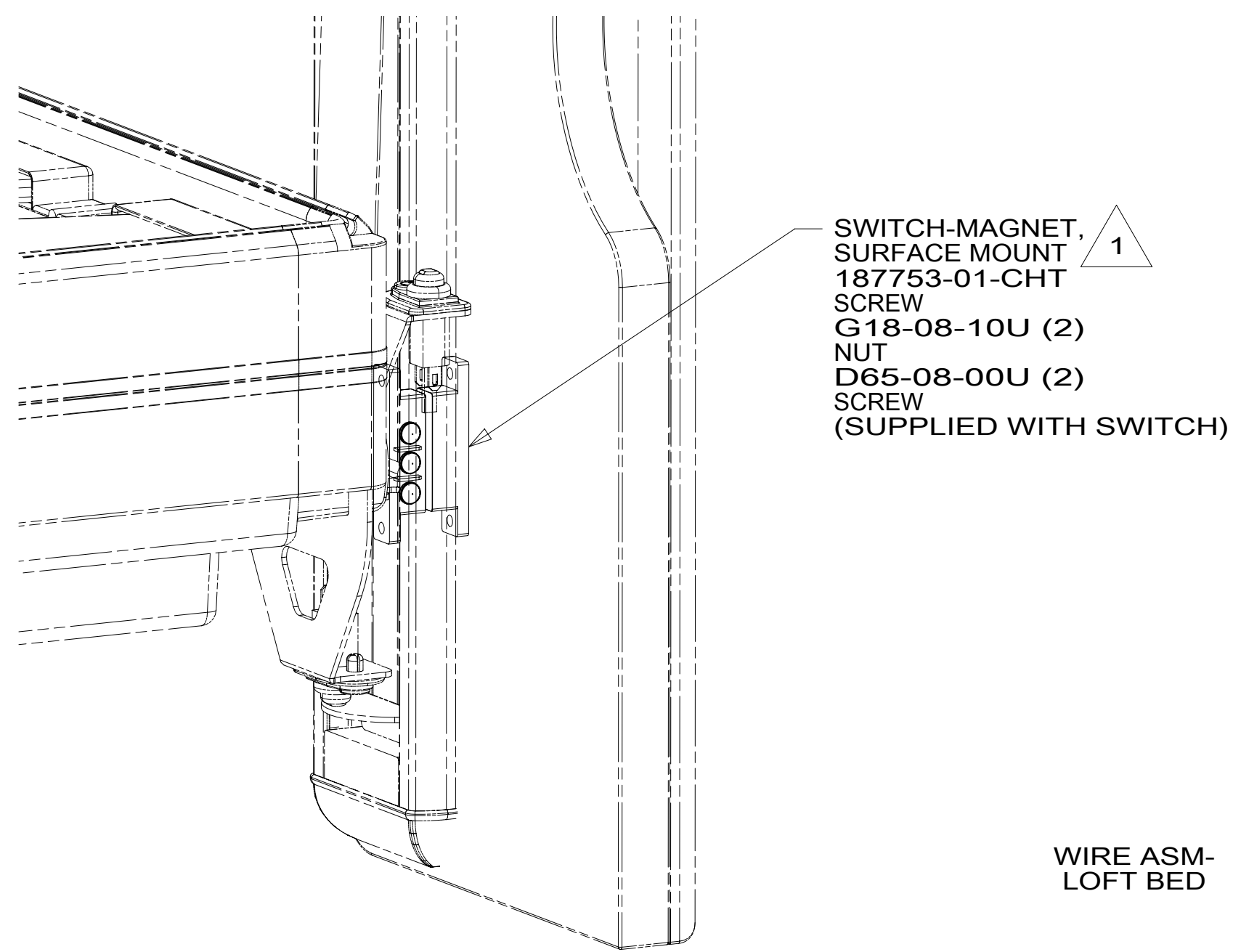
FIRST USED  
**15 A-SERIES**  
 DO NOT SCALE DRAWING  
 TITLE: **WIRING INSTL-FRONT END**  
 SHEET 8 PART NO **187524** REV

\*187524 \*A

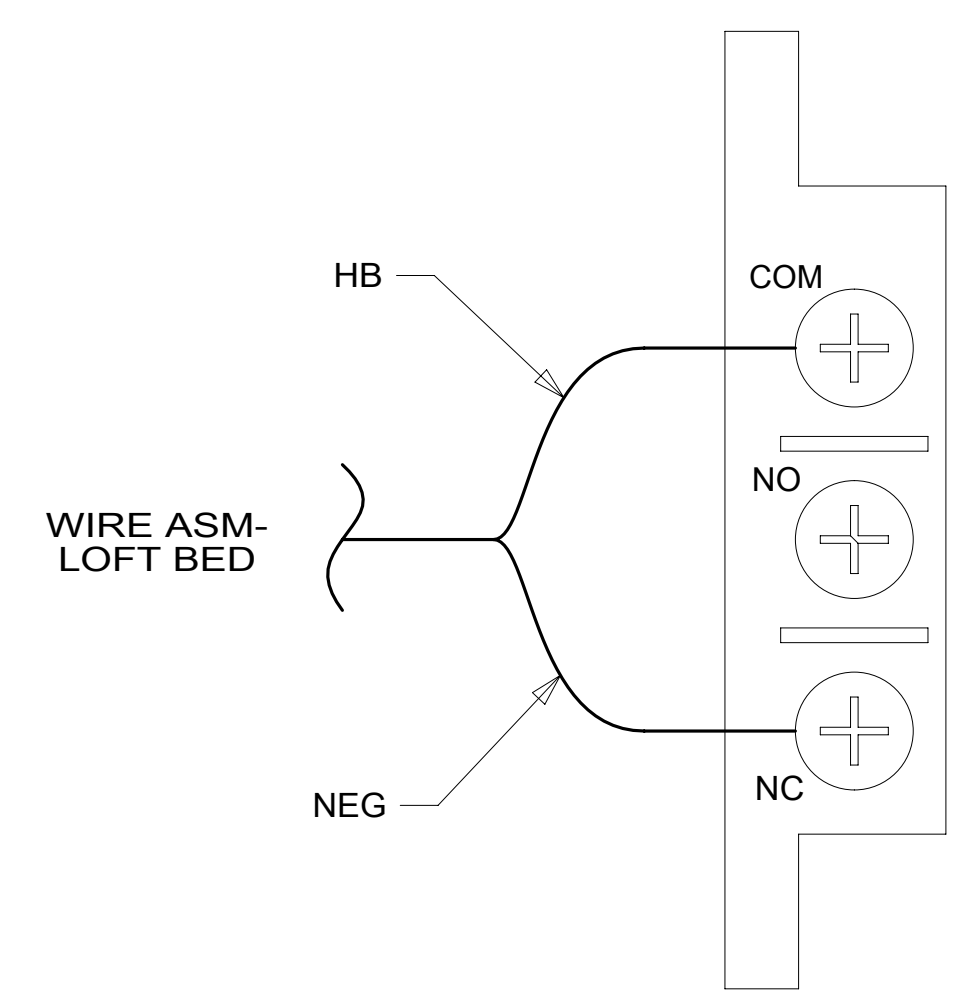




DETAIL JA



DETAIL JB  
(SWITCH COVER NOT SHOWN)



DETAIL JC

NOTES:  
1 SEE DETAIL JC FOR WIRING CONNECTIONS.

265 CODES/STANDARDS-CSA/CMVSS  
1B1 CODES/STANDARDS USA

1B1 265

FIRST USED  
**15 A-SERIES**

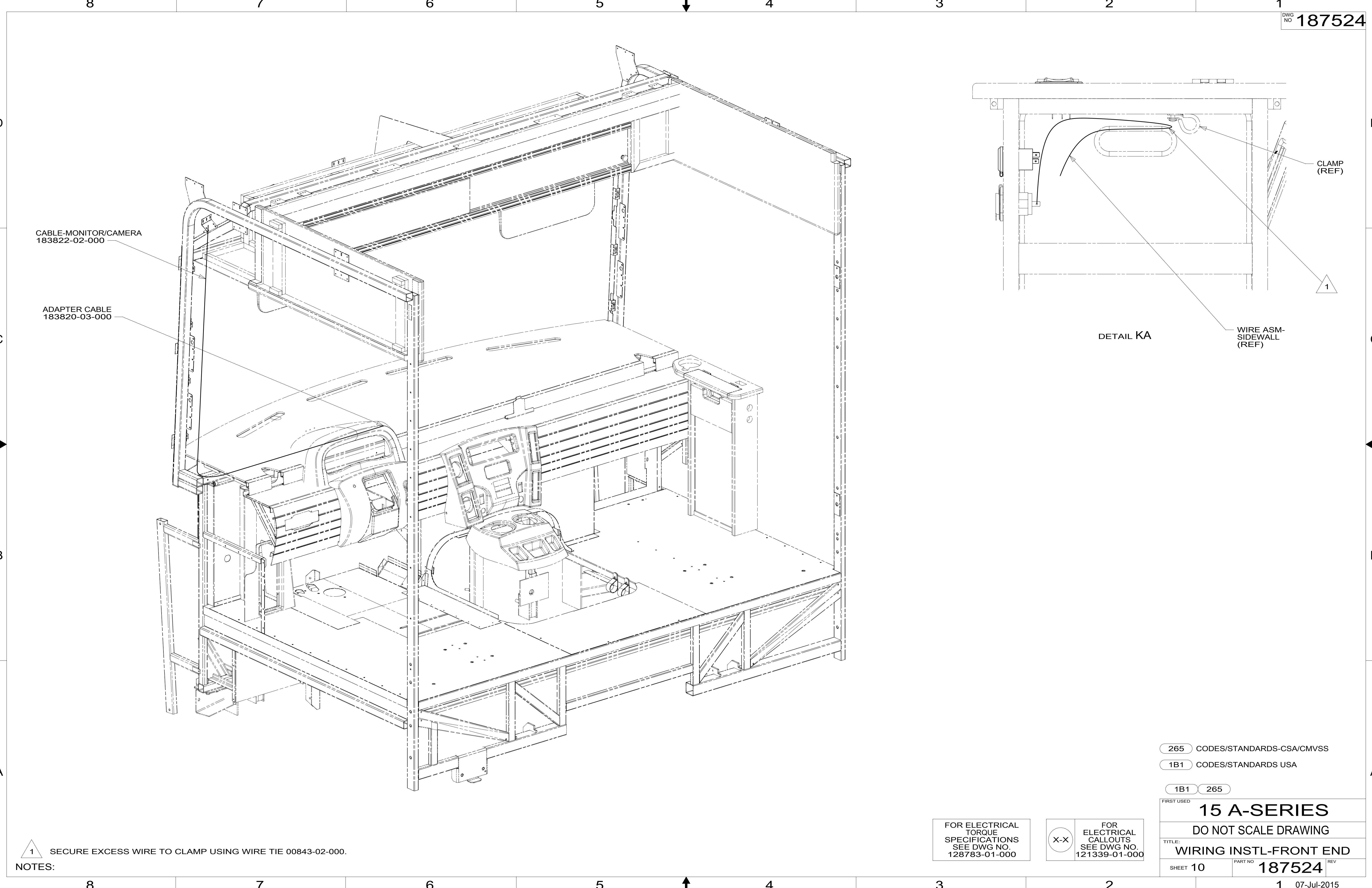
DO NOT SCALE DRAWING

TITLE: **WIRING INSTL-FRONT END**

SHEET 9 PART NO. **187524** REV

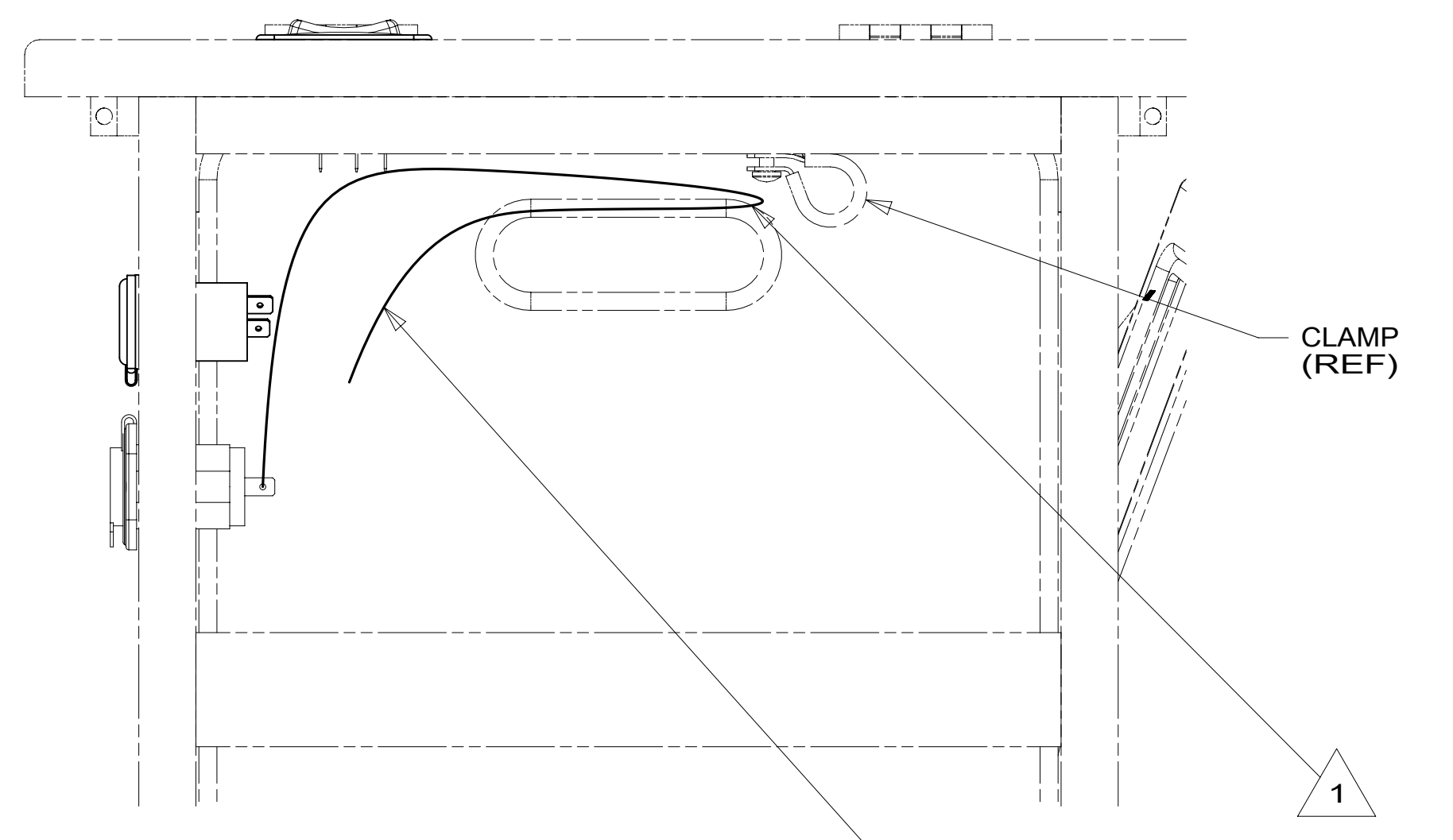
FOR ELECTRICAL TORQUE SPECIFICATIONS SEE DWG NO. 128783-01-000

FOR ELECTRICAL CALLOUTS SEE DWG NO. 121339-01-000



CABLE-MONITOR/CAMERA  
183822-02-000

ADAPTER CABLE  
183820-03-000



DETAIL KA

WIRE ASM-  
SIDEWALL  
(REF)

CLAMP  
(REF)

NOTES:  
1 SECURE EXCESS WIRE TO CLAMP USING WIRE TIE 00843-02-000.

FOR ELECTRICAL  
TORQUE  
SPECIFICATIONS  
SEE DWG NO.  
128783-01-000

FOR  
ELECTRICAL  
CALLOUTS  
SEE DWG NO.  
121339-01-000

- 265 CODES/STANDARDS-CSA/CMVSS
- 1B1 CODES/STANDARDS USA

1B1 265

FIRST USED  
**15 A-SERIES**

DO NOT SCALE DRAWING

TITLE: **WIRING INSTL-FRONT END**

SHEET 10 PART NO **187524** REV

\*187524 \*A