



DANGER

Danger of electrical shock, burns or death. Always remove all power sources before attempting any repair, service or diagnostic work. Power can be present from shore power, generator, inverter or battery. All power sources must be disabled and secured before performing any service.

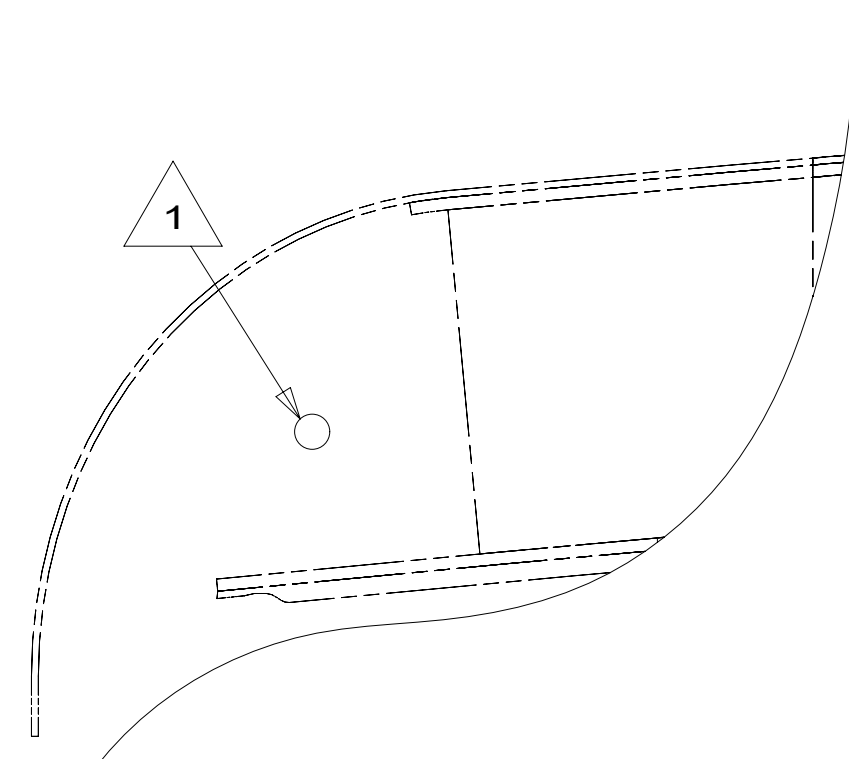
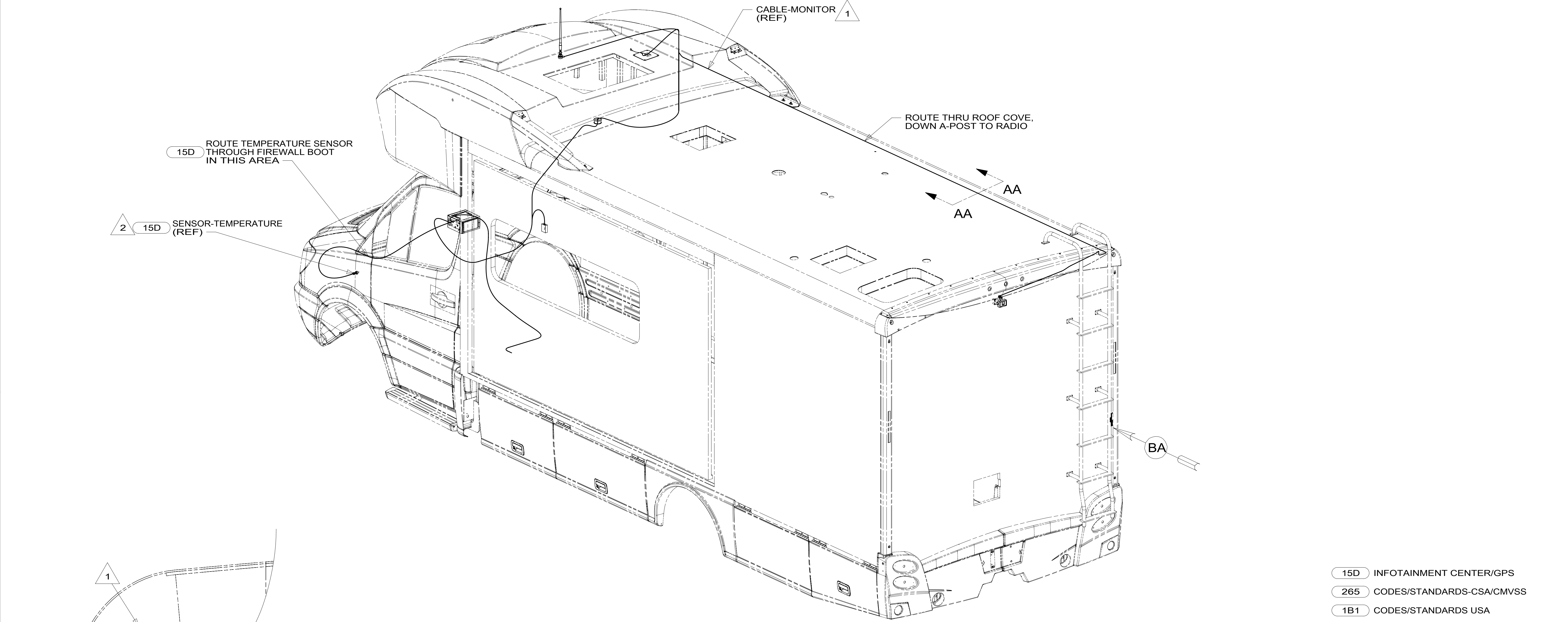


CAUTION

If you lack the skills, tools or equipment to perform diagnostic or repair work leave such work to an authorized Winnebago Industries dealer or other qualified shop.

DRAWING NO.	MODEL	SHEETS
187480-01	524V,524J,524M	1,2,5,6,7
187480-02	524G	3,4,5,6,7

RELEASE	REV/DATE	DWG NO	187480
REV ZONE	REVISION RECORD	DATE	DFT-ORIG



- 15D INFOTAINMENT CENTER/GPS
- 265 CODES/STANDARDS-CSA/CMVSS
- 1B1 CODES/STANDARDS USA
- 1B1 265

WINNEBAGO COPYRIGHT 2014 WINNEBAGO INDUSTRIES, INC.

DFT-ORIG	ORIG. DATE
CHKR	ALL DIMENSIONS ARE IN MILLIMETERS
P.E.	
M.E.	FIRST USED
DSNR	15 500-SERIES

UNSPECIFIED TOLERANCES ARE:
 WHOLE DIM (X) : 3
 ONE-PLACE (X.X) : 1.5
 TWO-PLACE (X.XX) : 0.50
 ANGLE : 1°

THIRD ANGLE PROJECTION

DO NOT SCALE DRAWING REFER TO ES0018 FOR FASTENER TIGHTENING GUIDELINES

TITLE: **RADIO/MONITOR INSTL**

SHEET 1 OF 7 PART NO. **187480** REV

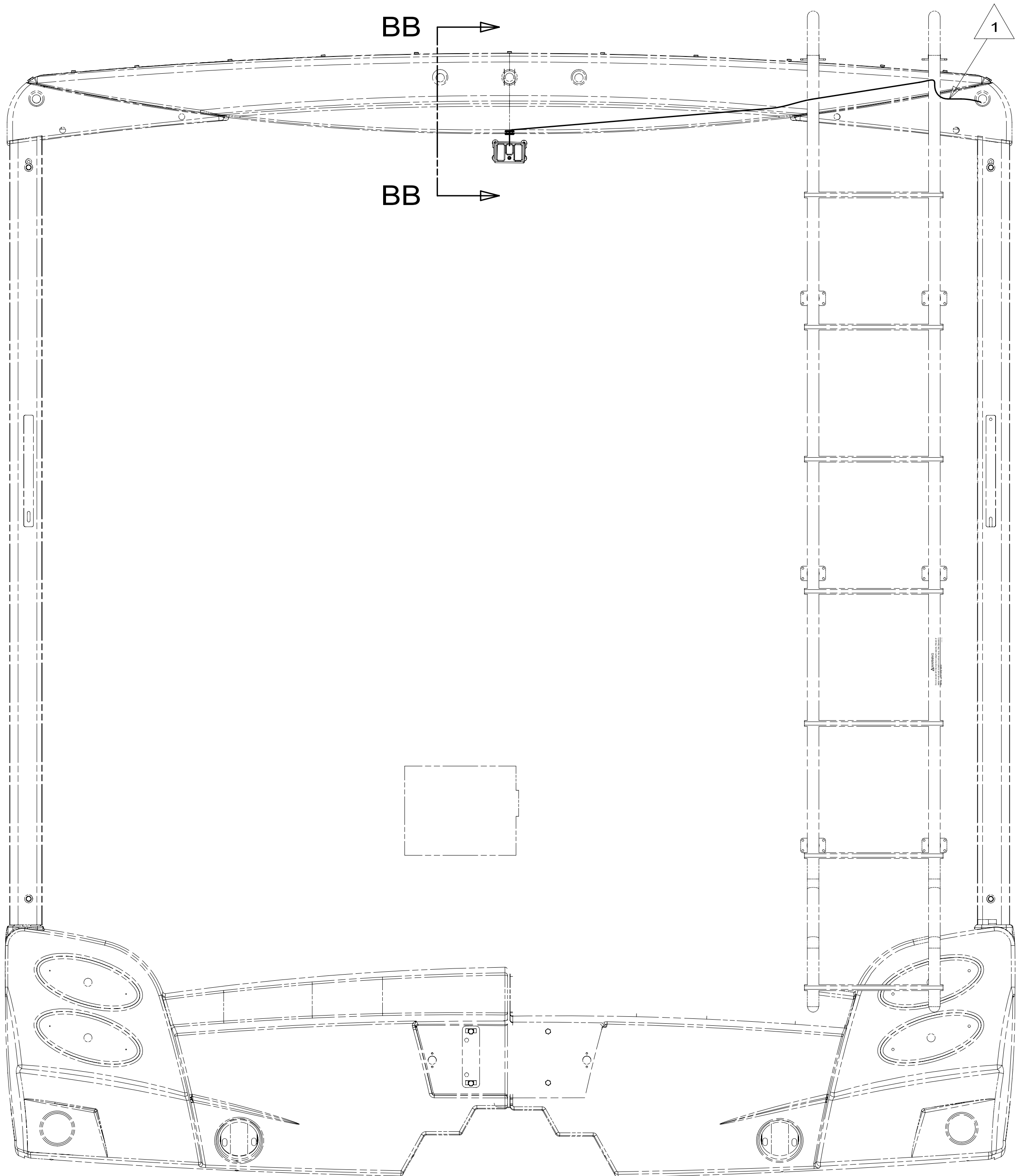
REF: 1 22-May-2015

- NOTES:
- 2 DRILL 16MM HOLE THROUGH BUMPER COVER BEHIND LICENSE PLATE BRACKET AND INSTALL SENSOR.
 - 1 RUN MONITOR CABLE IN ROOF COVE ON LEFT SIDE OF COACH.

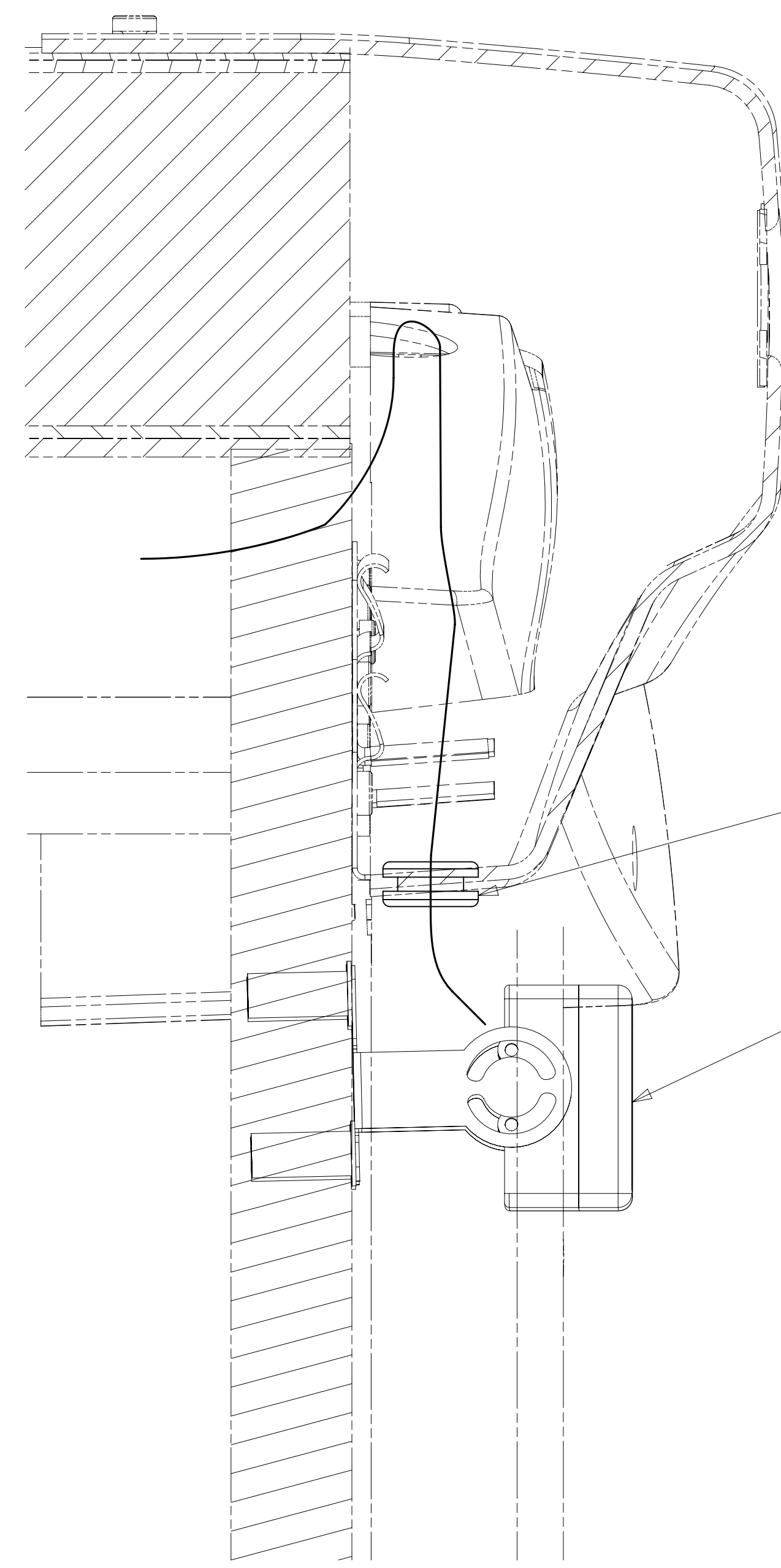
FOR ELECTRICAL TORQUE SPECIFICATIONS SEE DWG NO. 128783-01-000

X-X FOR ELECTRICAL CALLOUTS SEE DWG NO. 121339-01-000

187480



VIEW BA



SECTION BB-BB

GROMMET
71015-30-000

CAMERA-REAR,
COLOR,W/BRACKET
183822-01-000 ← 19R
CAMERA-REAR,W/AUDIO
176654-17-CHT ← 15D
SCREW
G39-10-12U (EXT)(5)

- 19R RADIO/REARVIEW MONITOR SYS
- 15D INFOTAINMENT CENTER/GPS
- 265 CODES/STANDARDS-CSA/CMVSS
- 1B1 CODES/STANDARDS USA

1B1 265

FIRST USED	
15 500-SERIES	
DO NOT SCALE DRAWING	
TITLE: RADIO/MONITOR INSTL	
SHEET 2	PART NO 187480 REV

- NOTES:
- 2 SECURE CAMERA AND CABLE CONNECTION WITH ELECTRICAL TAPE (008363-01-000).
 - 1 SECURE CABLE TO BACKWALL WITH CABLE TIE (108046-02-000)(OR EQUAL).

FOR ELECTRICAL
TORQUE
SPECIFICATIONS
SEE DWG NO.
128783-01-000

FOR
ELECTRICAL
CALLOUTS
SEE DWG NO.
121339-01-000

187480

15D ROUTE TEMPERATURE SENSOR THROUGH FIREWALL BOOT IN THIS AREA

1 15D SENSOR-TEMPERATURE (REF)

CABLE-MONITOR (REF)

DB

DA

- 15D INFOTAINMENT CENTER/GPS
- 265 CODES/STANDARDS-CSA/CMVSS
- 1B1 CODES/STANDARDS USA

1B1 265

FIRST USED	
15 500-SERIES	
DO NOT SCALE DRAWING	
TITLE: RADIO/MONITOR INSTL	
SHEET 3	PART NO 187480 REV

FOR ELECTRICAL TORQUE SPECIFICATIONS SEE DWG NO. 128783-01-000

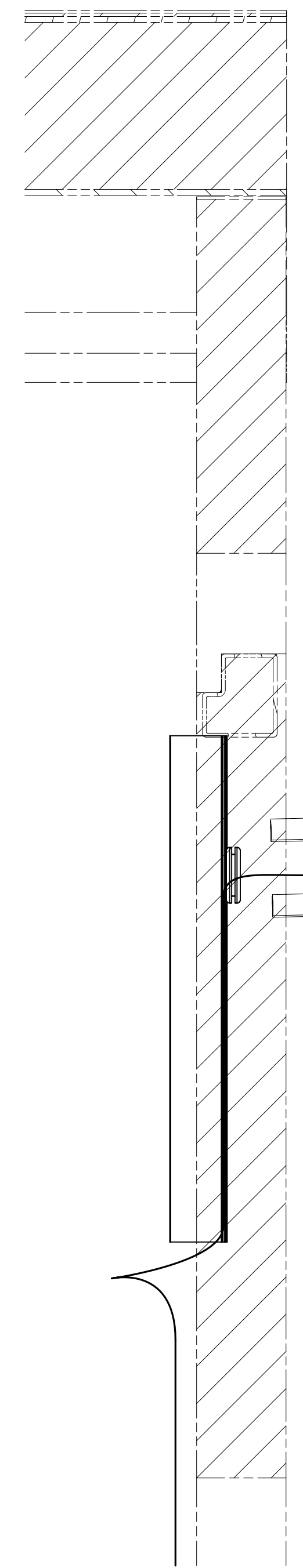
FOR ELECTRICAL CALLOUTS SEE DWG NO. 121339-01-000

1 DRILL 16MM HOLE THROUGH BUMPER COVER BEHIND LICENSE PLATE BRACKET AND INSTALL SENSOR.

NOTES:

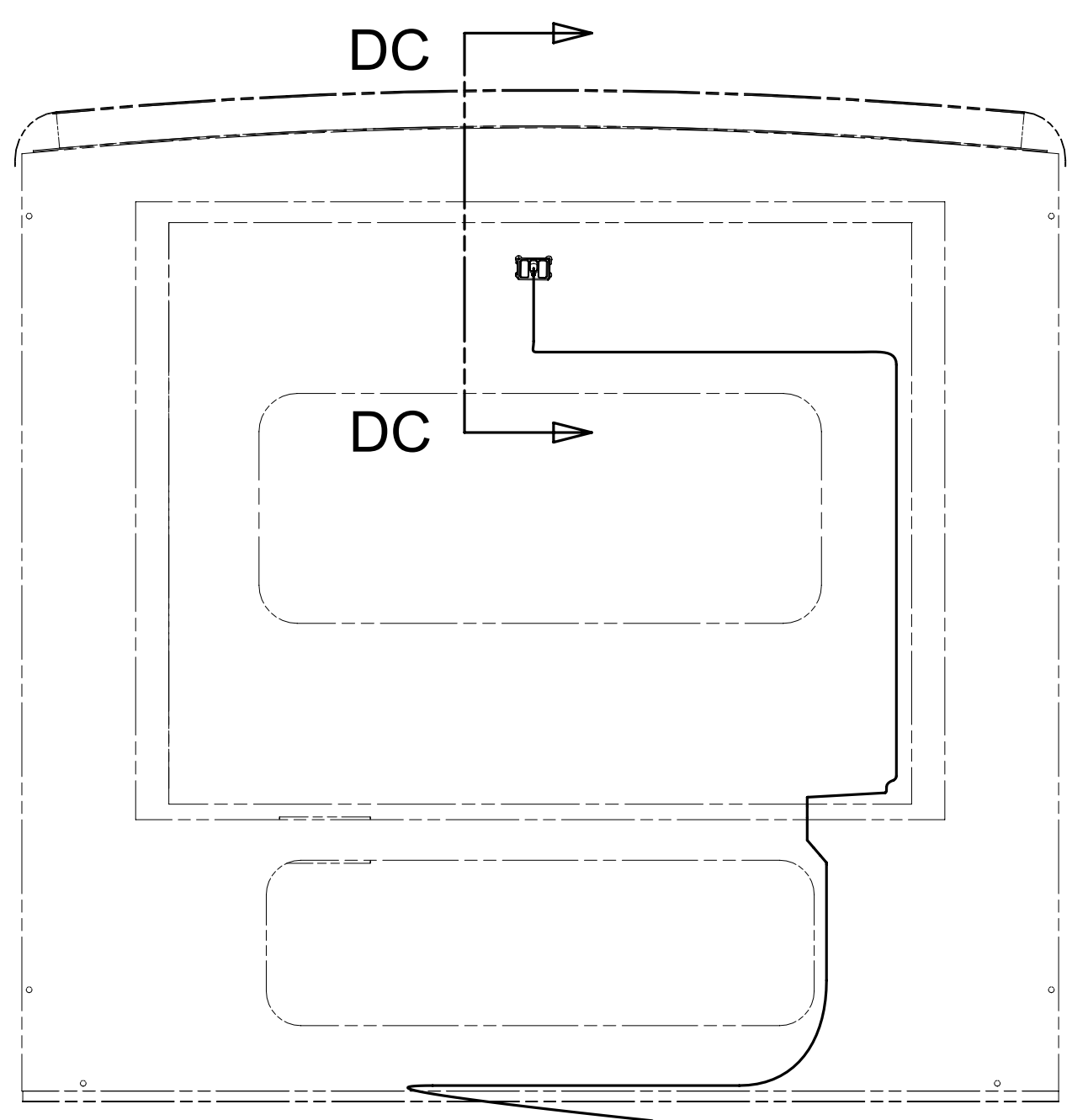
187480

8 7 6 5 4 3 2 1

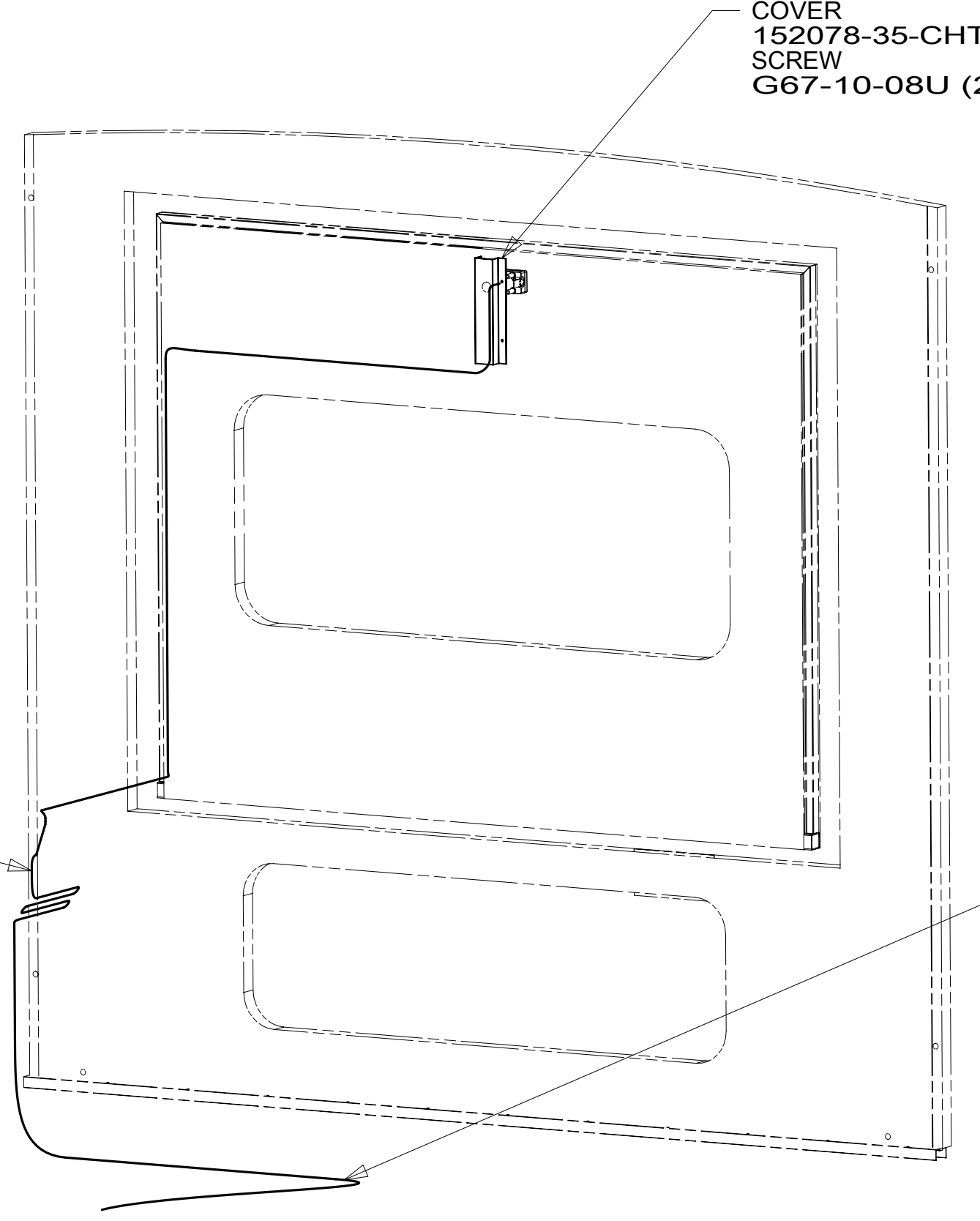


SECTION DC-DC

- CAMERA-REAR, COLOR, W/BACKET 183822-01-000 19R
- CAMERA-REAR, W/AUDIO 176654-17-CHT 15D
- SCREW G39-10-12U (EXT)(5)
- GROMMET 071015-46-000



VIEW DA



VIEW DB

- 19R RADIO/REARVIEW MONITOR SYS
- 15D INFOTAINMENT CENTER/GPS
- 265 CODES/STANDARDS-CSA/CMVSS
- 1B1 CODES/STANDARDS USA

1B1 265

FIRST USED	15 500-SERIES	
TITLE:	DO NOT SCALE DRAWING	
	RADIO/MONITOR INSTL	
SHEET 4	PART NO 187480	REV

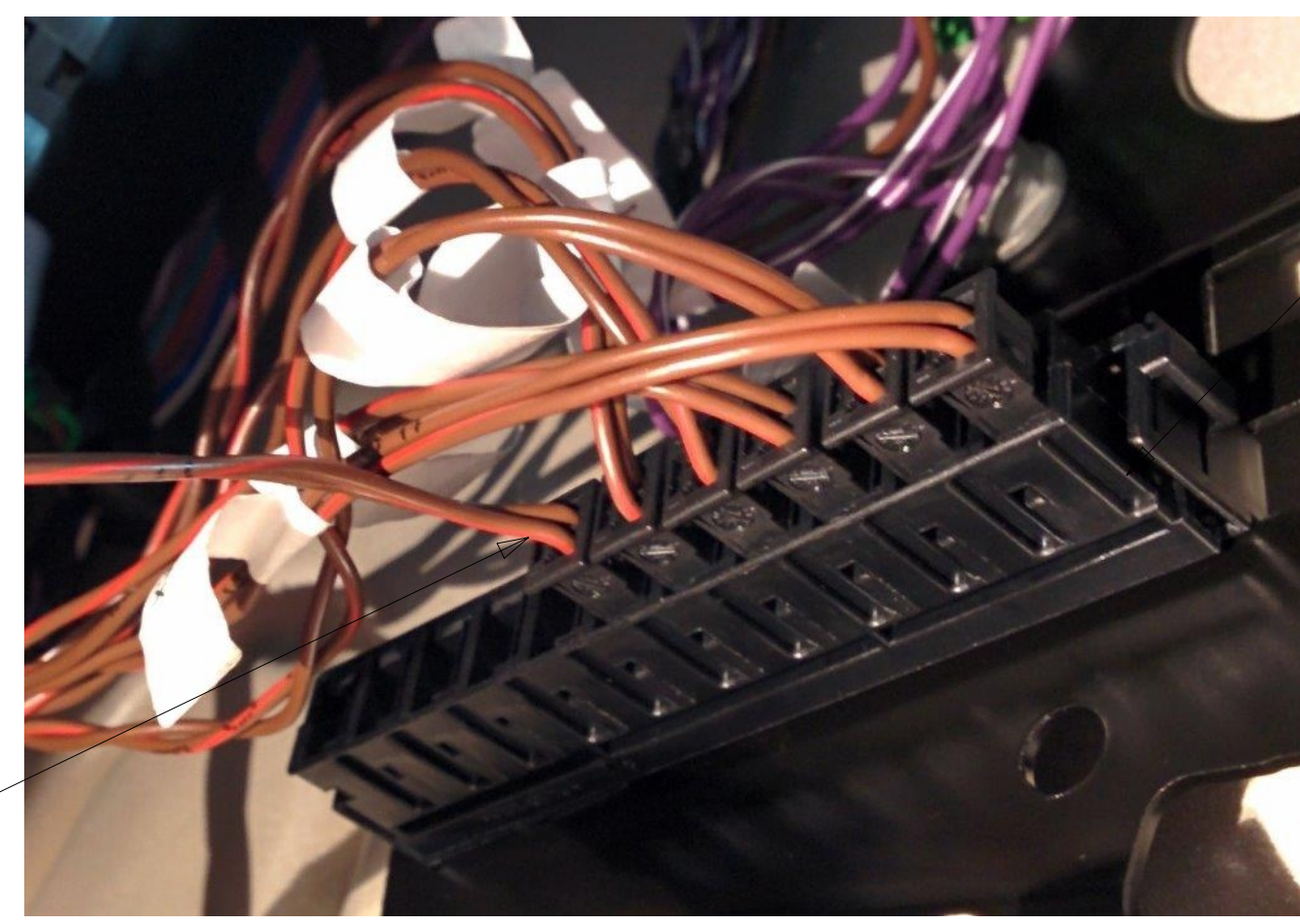
FOR ELECTRICAL TORQUE SPECIFICATIONS SEE DWG NO. 128783-01-000

FOR ELECTRICAL CALLOUTS SEE DWG NO. 121339-01-000

NOTES:
 1 SECURE CAMERA AND CABLE CONNECTION WITH ELECTRICAL TAPE (008363-01-000).

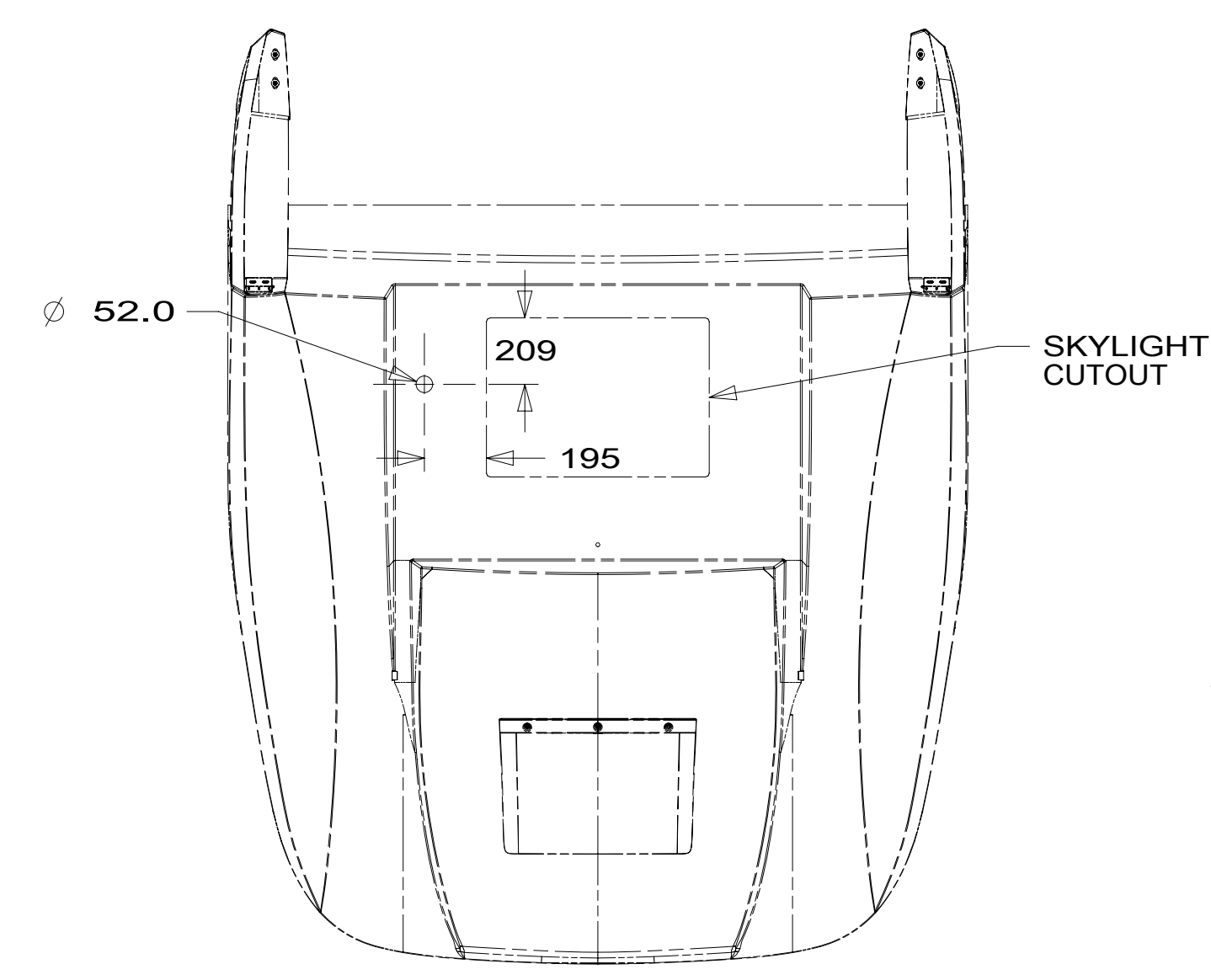
8 7 6 5 4 3 2 1

187480



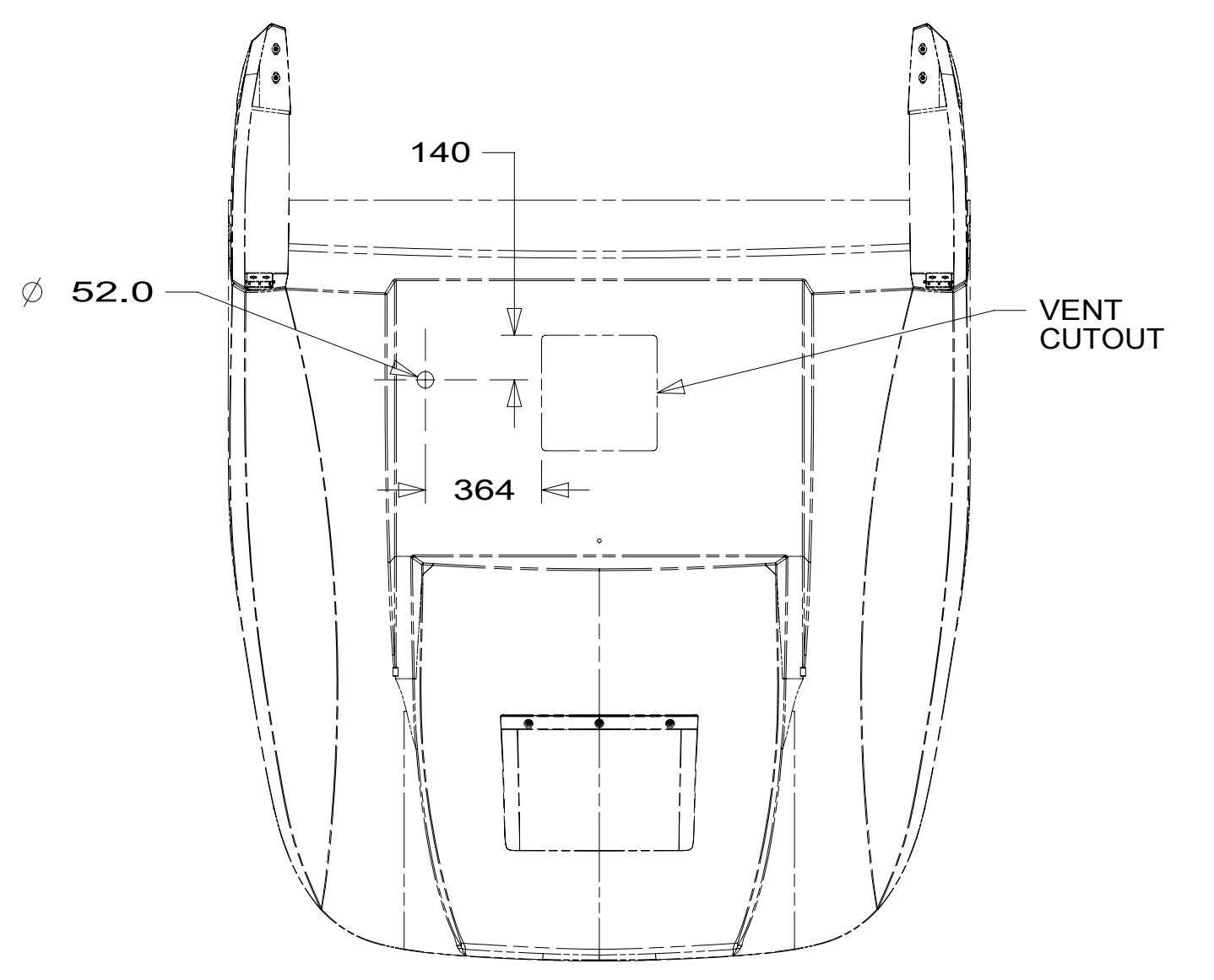
CAN-BUS TERMINAL BLOCK

DETAIL EC



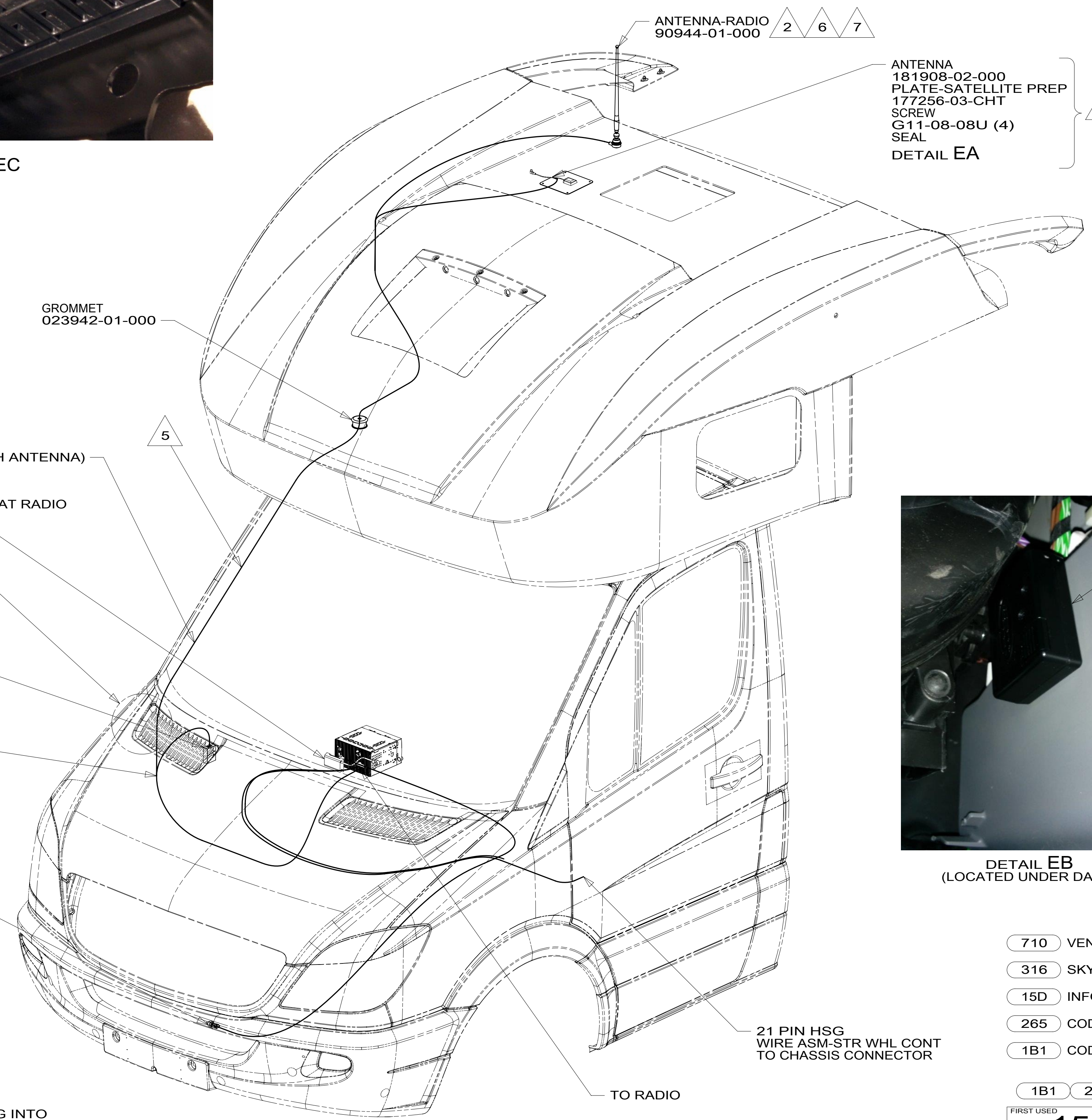
SKYLIGHT CUTOUT

DETAIL EA 15D AND 316



VENT CUTOUT

DETAIL EA 15D AND 710



ANTENNA-RADIO 90944-01-000 2 6 7
 ANTENNA 181908-02-000
 PLATE-SATELLITE PREP 177256-03-CHT
 SCREW G11-08-08U (4)
 SEAL 3 15D
 DETAIL EA

GROMMET 023942-01-000

15D CABLE ASM (SUPPLIED WITH ANTENNA)

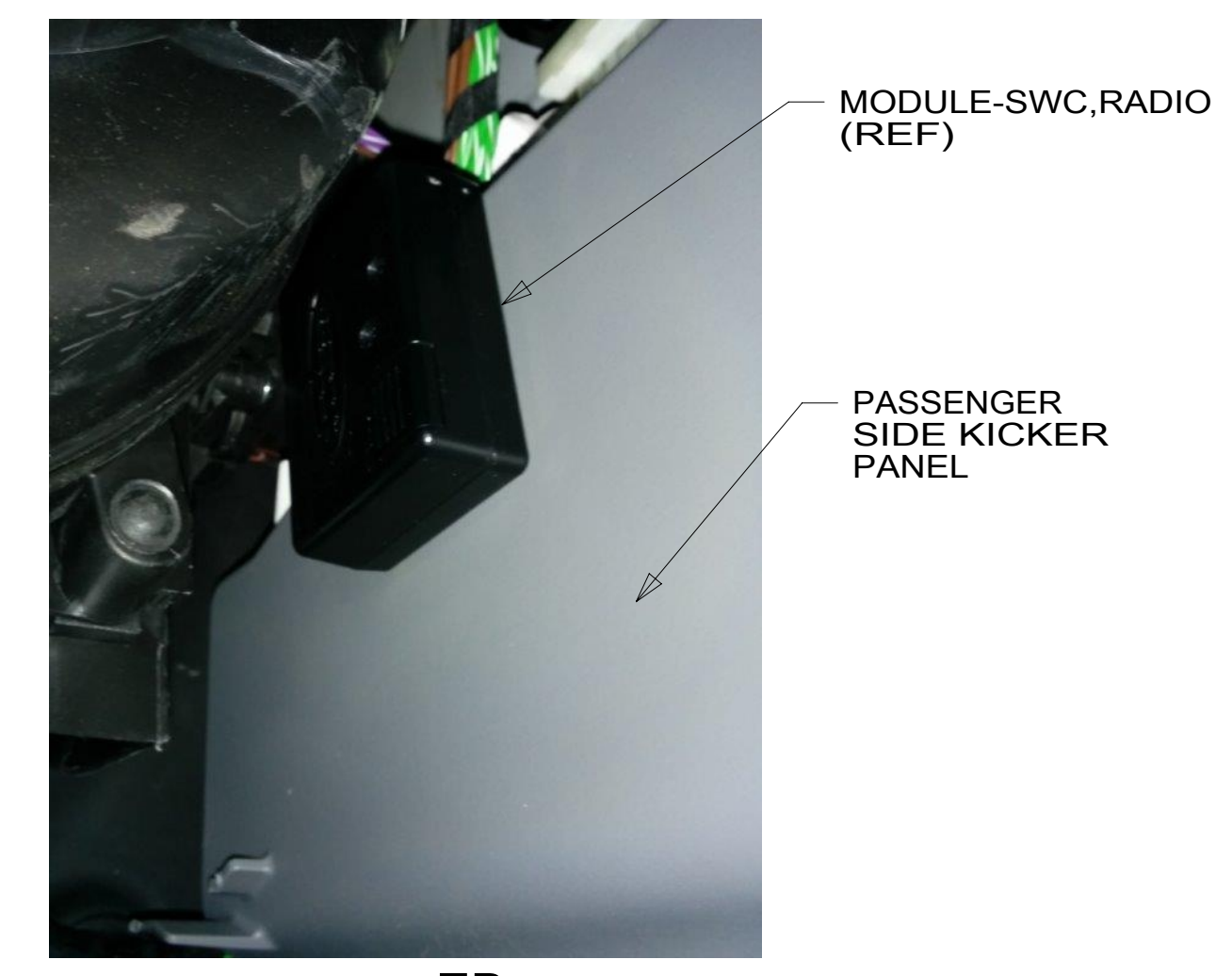
4 5 15D RECEIVER-SAT RADIO (REF)

DETAIL EC

10 MODULE-SWC, RADIO 189850-01-000
 TAPE-FOAM, DBL 76322-21-000 (60MM)(2)
 9 DETAIL EB

1 CABLE ASM-ANTENNA 77069-03-000

8 15D SENSOR-TEMPERATURE (REF)



DETAIL EB (LOCATED UNDER DASH)

MODULE-SWC,RADIO (REF)

PASSENGER SIDE KICKER PANEL

21 PIN HSG WIRE ASM-STR WHL CONT TO CHASSIS CONNECTOR

TO RADIO

- NOTES:
- 8 DRILL 16MM HOLE THROUGH BUMPER COVER BEHIND LICENSE PLATE BRACKET AND INSTALL SENSOR.
 - 7 CUT AND REMOVE A 75MM X 75MM AREA OF THE ALUMINUM INSULATION, CENTERED ABOUT THE RADIO ANTENNA ROOF CAP.
 - 6 REMOVE AND REINSTALL AFTER PAINT.
 - 5 ROUTE SATELLITE RADIO ANTENNA CABLE FROM THE DASH UP A-PILLAR TO ROOF CAP.
 - 4 CONNECT UNILINK CABLE SUPPLIED WITH SATELLITE RECEIVER BETWEEN DASH RADIO AND SATELLITE RECEIVER UNDER PASSENGER SEAT ROUTE I-POD CABLE TO TRAY ABOVE DASH RADIO.
 - 3 MOUNT ANTENNA SUCH THAT BASE IS SQUARE W/REAR OF ROOF CAP & CENTER HOLE OF ANTENNA DIRECTLY OVER HOLE IN FIBERGLASS. SEAL HOLE, BASE, AND SCREWS.
 - 2 SEAL AROUND ANTENNA BASE.
 - 1 ROUTE RADIO ANTENNA CABLE FROM DASH RADIO UNDER DASH UP PASSENGER SIDE A-PILLAR TO ROOF CAP.

- 11 PLUG CHASSIS SUPPLIED 2 PIN HSG INTO CAN-BUS TERMINAL BLOCK.
- 10 REFERENCE MODULE DRAWING FOR SETUP PROCEDURE.
- 9 CLEAN AND APPLY ADHESIVE PROMOTER 87211-01-000 TO BOTH SURFACES AND BOND MODULE TO KICKER PANEL.

FOR ELECTRICAL TORQUE SPECIFICATIONS SEE DWG NO. 128783-01-000

FOR ELECTRICAL CALLOUTS SEE DWG NO. 121339-01-000

- 710 VENT ROOF-POWERED,INSULATED
- 316 SKYLIGHT/ROOF VENT, POWER
- 15D INFOTAINMENT CENTER/GPS
- 265 CODES/STANDARDS-CSA/CMVSS
- 1B1 CODES/STANDARDS USA

1B1 265

FIRST USED

15 500-SERIES

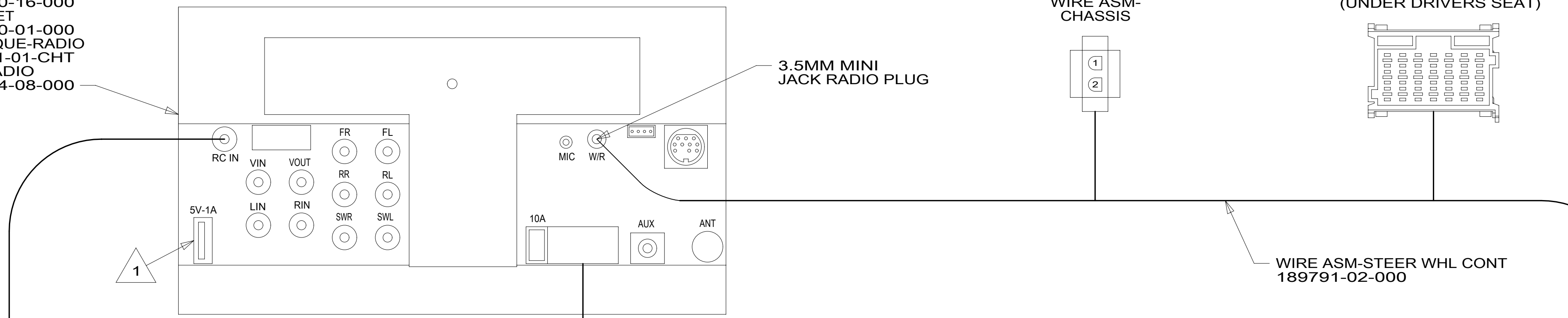
DO NOT SCALE DRAWING

TITLE: **RADIO/MONITOR INSTL**

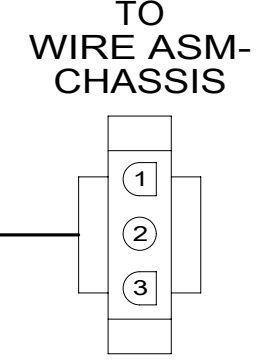
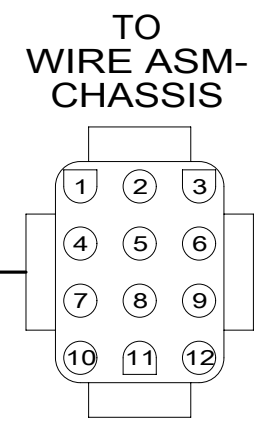
SHEET 5 PART NO **187480** REV

*187480 *A

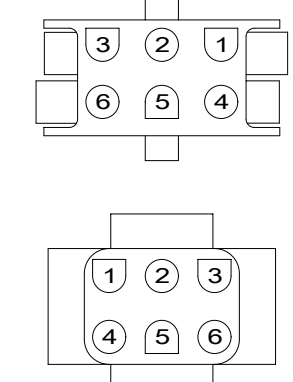
RADIO-AM/FM/DVD,
TOUCH,2-DIN
183820-16-000
BRACKET
178610-01-000
APPLIQUE-RADIO
185341-01-CHT
KIT-RADIO
176654-08-000



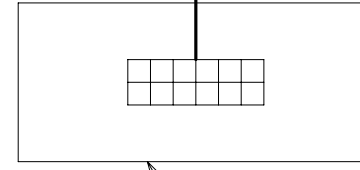
HARNESS-RADIO,12 PIN
183820-19-000



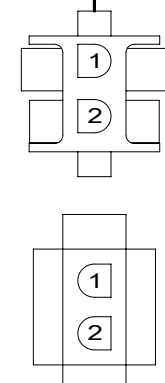
HARNESS-SWC
189850-02-000



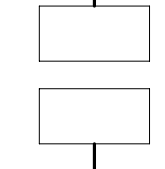
MODULE-SWC,RADIO
(REF)



HARNESS-CAMERA ADAPTER
183820-03-000



CABLE-CAMERA,20M
183822-02-000



TO REAR
CAMERA

1 PLUG USB CABLE SUPPLIED WITH RADIO INTO LEAD ON BACK OF RADIO MARKED 'USB'. ROUTE CABLE TO THE LEFT OF RADIO. WIRE TIE EXCESS CABLE UNDER DASH IN THE AREA LEFT OF THE RADIO. LEAVE 200 MM OF CABLE IN THE MOTOR COVER BEVERAGE TRAY. MAKE SURE CABLE DOES NOT GET PINCHED BY MOTOR COVER.

NOTES:

FOR ELECTRICAL TORQUE SPECIFICATIONS SEE DWG NO. 128783-01-000

FOR ELECTRICAL CALLOUTS SEE DWG NO. 121339-01-000

- 19R RADIO/REARVIEW MONITOR SYS
- 265 CODES/STANDARDS-CSA/CMVSS
- 1B1 CODES/STANDARDS USA

1B1 265 19R

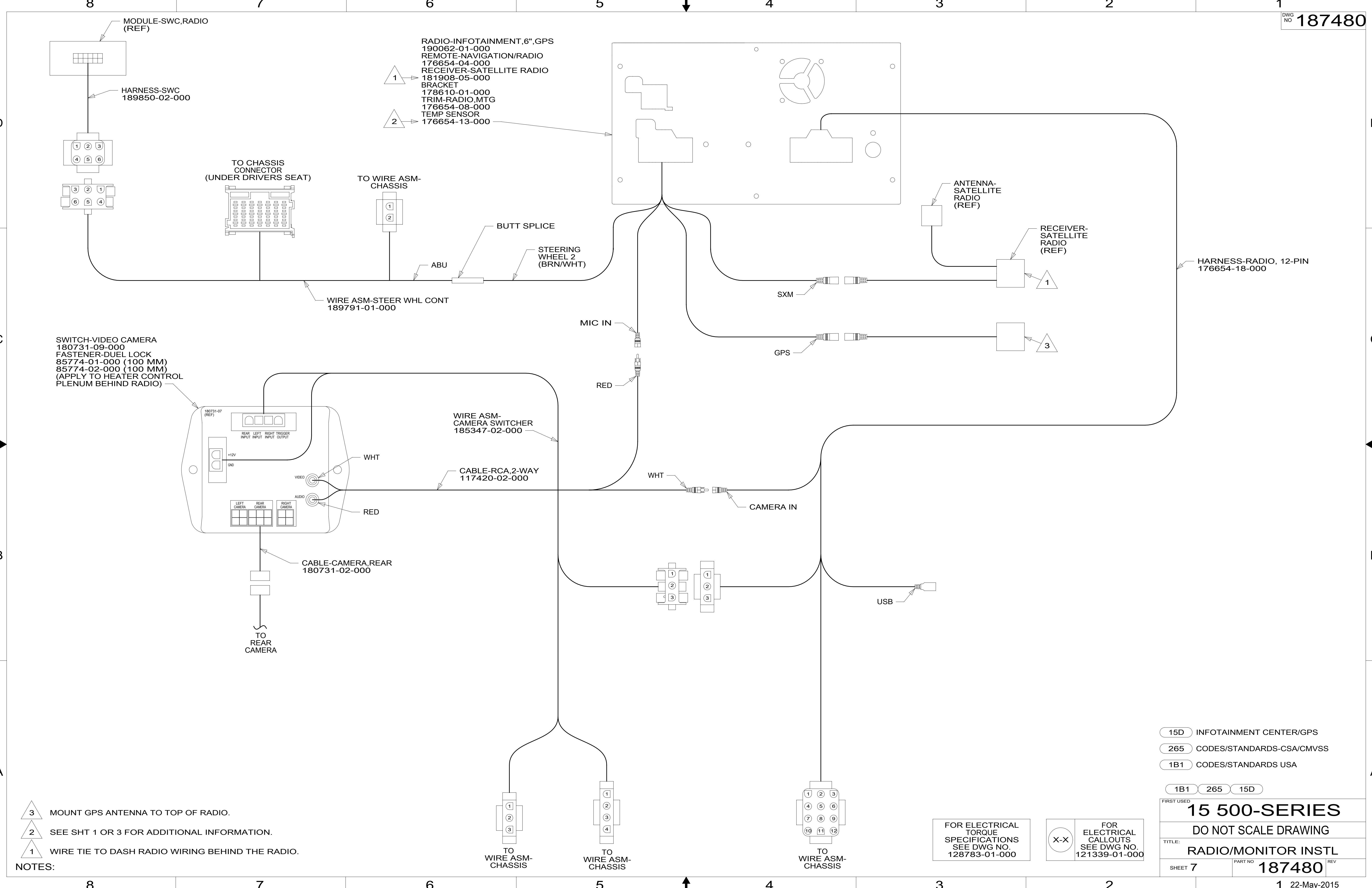
FIRST USED 15 500-SERIES

DO NOT SCALE DRAWING

TITLE: RADIO/MONITOR INSTL

SHEET 6 PART NO 187480 REV

187480



- NOTES:
- 3 MOUNT GPS ANTENNA TO TOP OF RADIO.
 - 2 SEE SHT 1 OR 3 FOR ADDITIONAL INFORMATION.
 - 1 WIRE TIE TO DASH RADIO WIRING BEHIND THE RADIO.

- 15D INFOTAINMENT CENTER/GPS
- 265 CODES/STANDARDS-CSA/CMVSS
- 1B1 CODES/STANDARDS USA

1B1 265 15D

FIRST USED		
15 500-SERIES		
DO NOT SCALE DRAWING		
TITLE: RADIO/MONITOR INSTL		
SHEET 7	PART NO 187480	REV

FOR ELECTRICAL TORQUE SPECIFICATIONS SEE DWG NO. 128783-01-000

FOR ELECTRICAL CALLOUTS SEE DWG NO. 121339-01-000

187480