



DANGER

Danger of electrical shock, burns or death. Always remove all power sources before attempting any repair, service or diagnostic work. Power can be present from shore power, generator, inverter or battery. All power sources must be disabled and secured before performing any service.

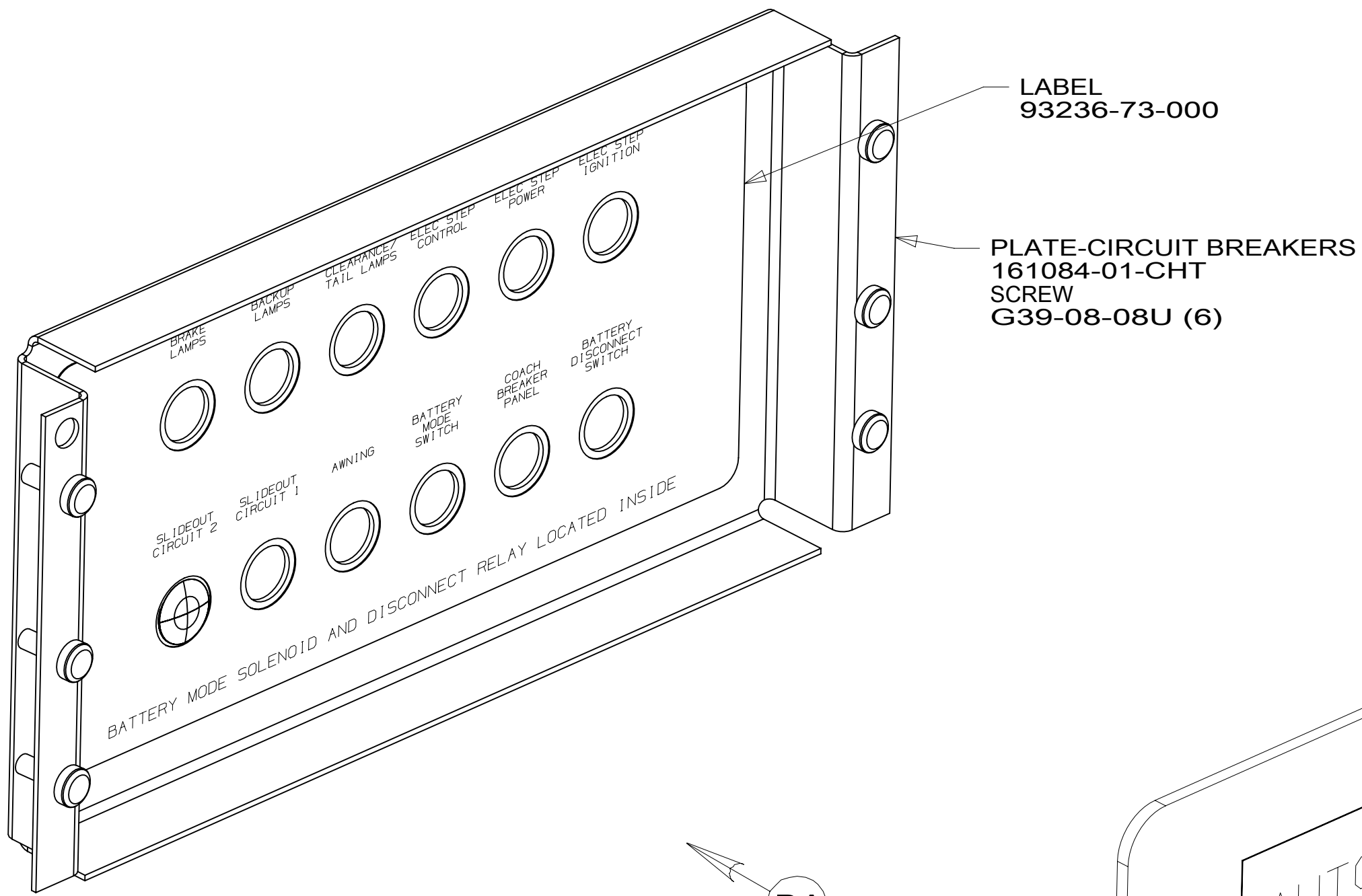
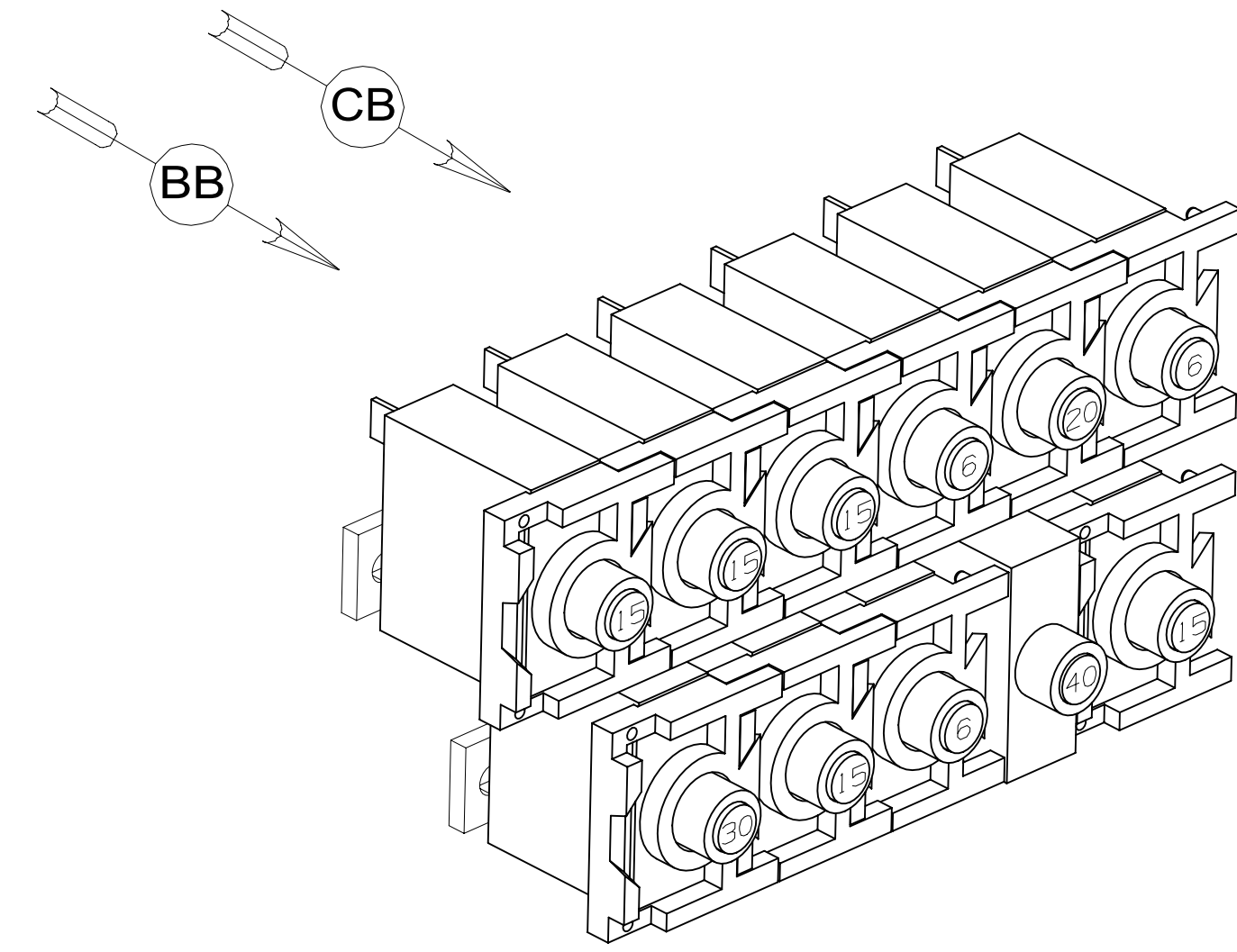


CAUTION

If you lack the skills, tools or equipment to perform diagnostic or repair work leave such work to an authorized Winnebago Industries dealer or other qualified shop.

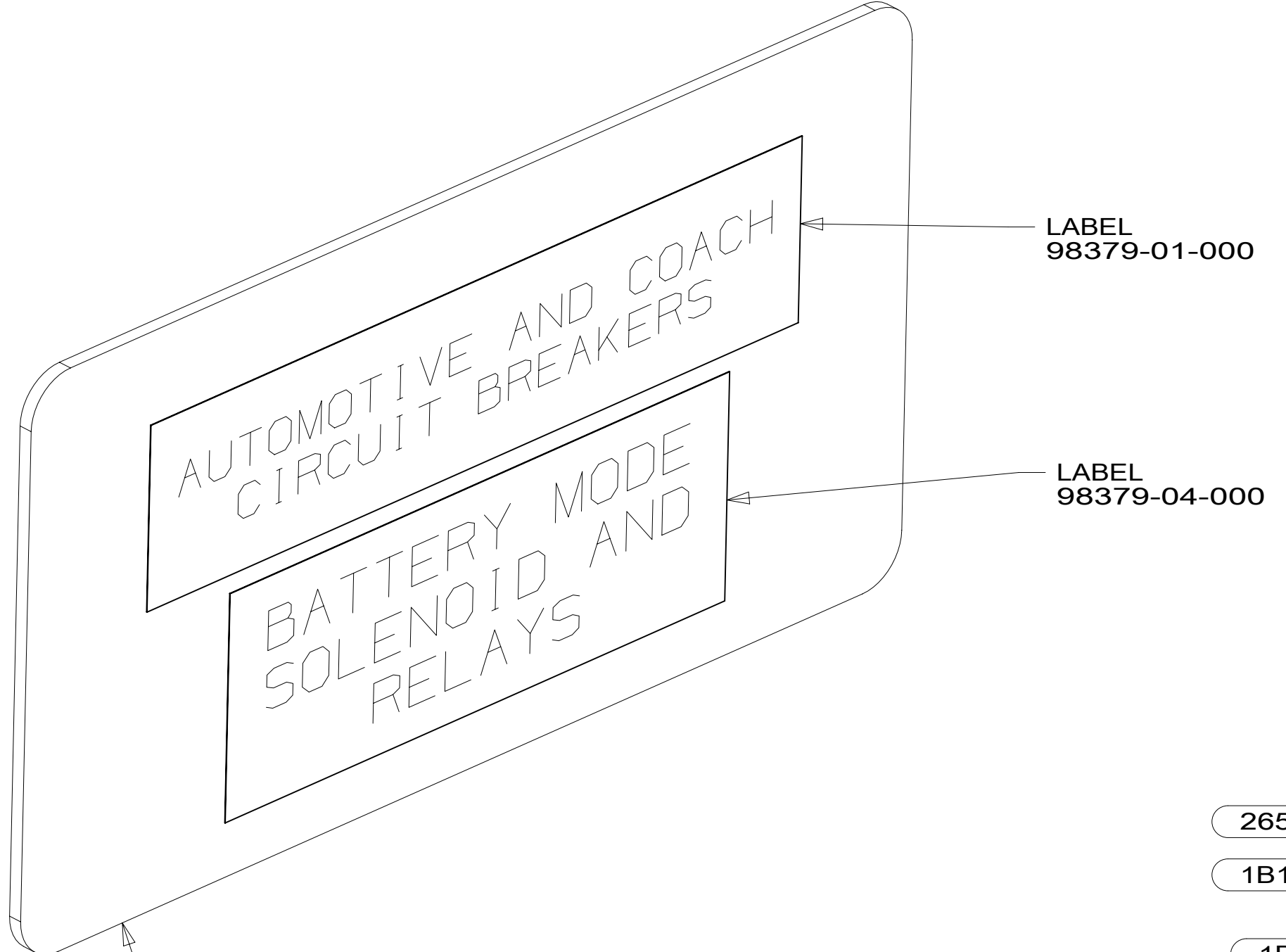
DRAWING NO.	SHEET
187479-01	1,2
187479-02	1,3

RELEASE	REV/DATE	DWG NO	187479
REV ZONE	REVISION RECORD	DATE	DFTR-ORIG



LABEL
93236-73-000

PLATE-CIRCUIT BREAKERS
161084-01-CHT
SCREW
G39-08-08U (6)



LABEL
98379-01-000

LABEL
98379-04-000

COVER 1

- 265 CODES/STANDARDS-CSA/CMVSS
- 1B1 CODES/STANDARDS USA

- 1B1 265



DFTR	ORIG. DATE
CHKR	ALL DIMENSIONS ARE IN MILLIMETERS
P.E.	
M.E.	FIRST USED
DSNR	15 500-SERIES
UNSPECIFIED TOLERANCES ARE:	
WHOLE DIM (X)	: 3
ONE-PLACE (X.X)	: 1.5
TWO-PLACE (X.XX)	: 0.50
ANGLE	: 1°
THIRD ANGLE PROJECTION	
DO NOT SCALE DRAWING	REFER TO ES0018 FOR FASTENER TIGHTENING GUIDELINES
TITLE: CHASSIS ELECTRICAL BOX ASM	
SHEET 1 OF 3	PART NO 187479 REV

FOR ELECTRICAL
TORQUE
SPECIFICATIONS
SEE DWG NO.
128783-01-000

FOR
ELECTRICAL
CALLOUTS
SEE DWG NO.
121339-01-000

NOTES:
1 SUPPLIED WITH CHASSIS.

187479

CIRCUIT BREAKER-15 AMP
93654-02-000 (4)
SPACER-CIRCUIT BREAKER
141789-01-000 (4)
SCREW
G52-06-05B (4)

CIRCUIT BREAKER-6 AMP
93654-01-000
SCREW
G52-06-05B
SPACER-CIRCUIT BREAKER
141789-01-000

CIRCUIT BREAKER-20 AMP
93654-03-000
SCREW
G52-06-04B
G52-06-05B
SPACER-CIRCUIT BREAKER
141789-01-000

CIRCUIT BREAKER-6 AMP
93654-01-000
SCREW
G52-06-05B
SPACER-CIRCUIT BREAKER
141789-01-000

CIRCUIT BREAKER-40 AMP
093655-03-000
SCREW
G19-10-08B

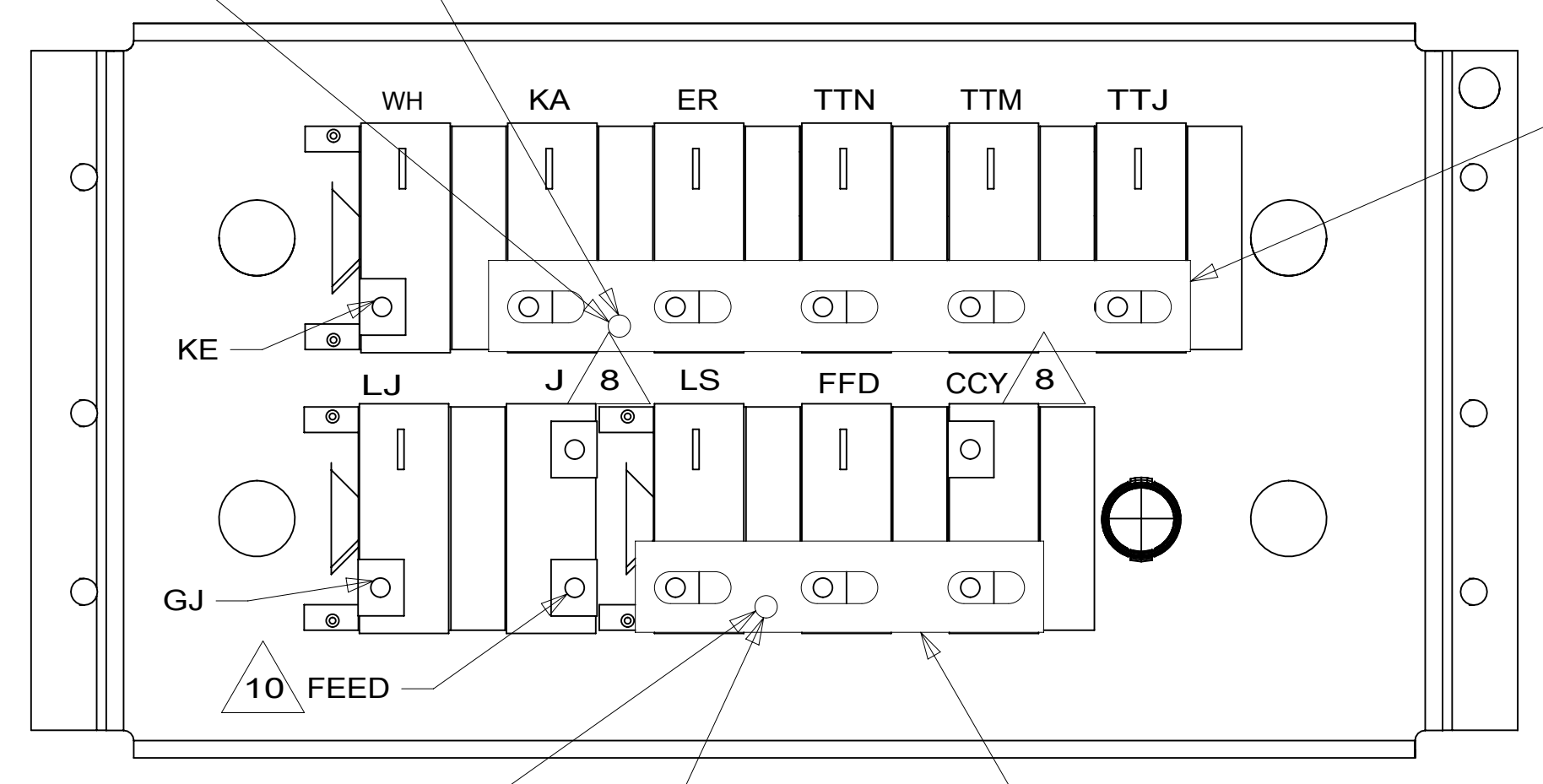
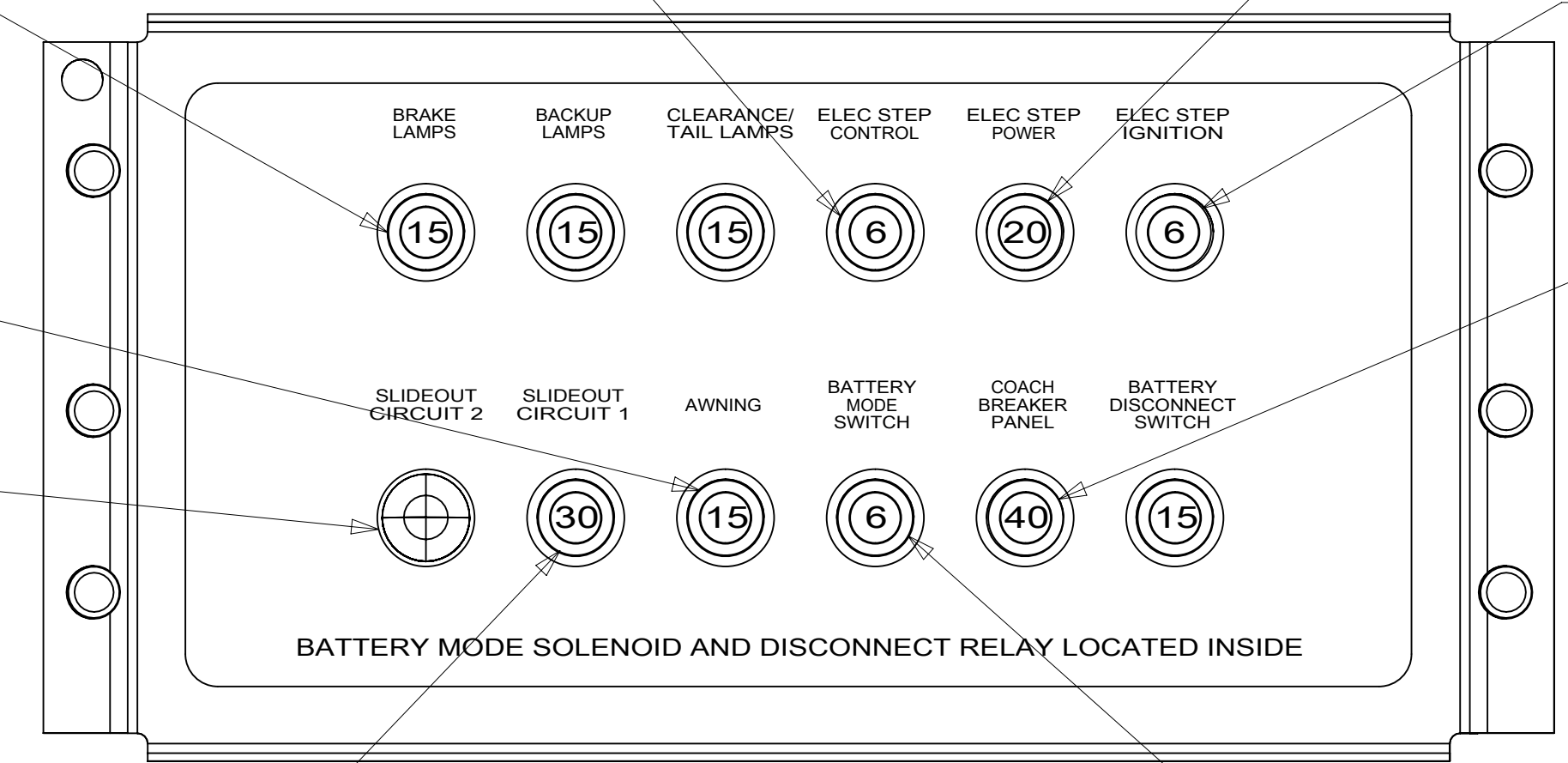
CIRCUIT BREAKER-30 AMP
93655-02-000
SCREW
G52-06-04B
G52-06-05B
SPACER-CIRCUIT BREAKER
141789-01-000

CIRCUIT BREAKER-6 AMP
93654-01-000
SCREW
G52-06-05B
SPACER-CIRCUIT BREAKER
141789-01-000

SCREW
G39-08-06B

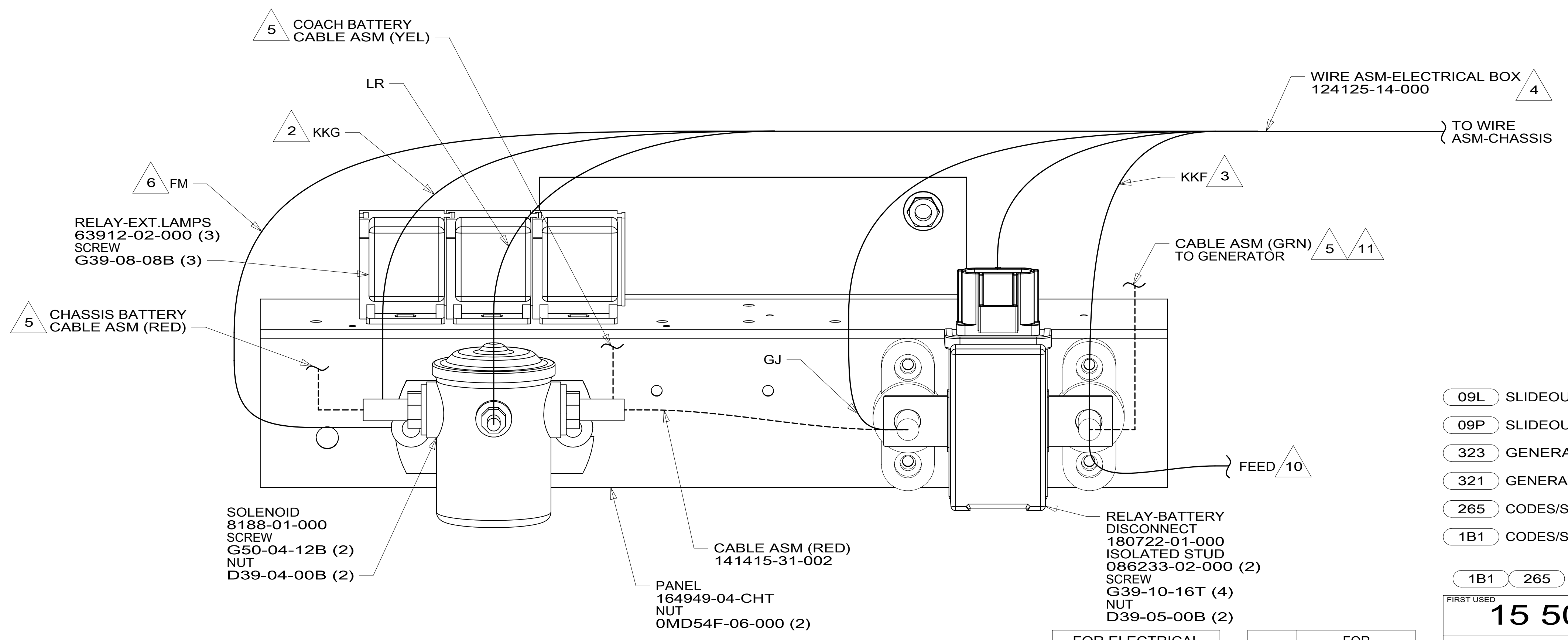
BUSS BAR
141744-04-000

BUSS BAR
141744-02-000



VIEW BA

VIEW BB



- 11 WITH FEATURE 321 OR 323 NOT CONNECT CABLE ASM-GENERATOR (GRN) TO SOLENOID. TAPE END WITH TAPE 8363-01-000 AND LEAVE CABLE END LOOSE IN ELECTRICAL BOX.
- 10 WIRE IS MARKED WITH RED TAPE.
- 9 REPLACE EXISTING SCREW TO PROPERLY ATTACH BREAKER TO BUSS BAR.
- 8 CIRCUIT IS FROM WIRE ASM-CHASSIS.
- 7 WITHOUT 09P
- 6 SECURE WITH SOLENOID MOUNTING SCREW.
- 5 WIRING INSTL-CHASSIS FOR ADDITIONAL INFORMATION.
- 4 TAPE BACK UNUSED WIRES TO HARNESS.
- 3 WIRE IS MARKED WITH YELLOW TAPE.
- 2 WIRE IS MARKED WITH PURPLE TAPE.

- 09L SLIDEOUT ROOM FRONT LEFT
- 09P SLIDEOUT ROOM - BACKWALL
- 323 GENERATOR PREP KIT - DIESEL
- 321 GENERATOR PREP KIT
- 265 CODES/STANDARDS-CSA/CMVSS
- 1B1 CODES/STANDARDS USA

NOTES:
1. LEGEND: — WINNEBAGO; - - - - - CABLE; - - - - - CHASSIS SUPPLIED WIRING.

FOR ELECTRICAL TORQUE SPECIFICATIONS SEE DWG NO. 128783-01-000

FOR ELECTRICAL CALLOUTS SEE DWG NO. 121339-01-000

FIRST USED

15 500-SERIES

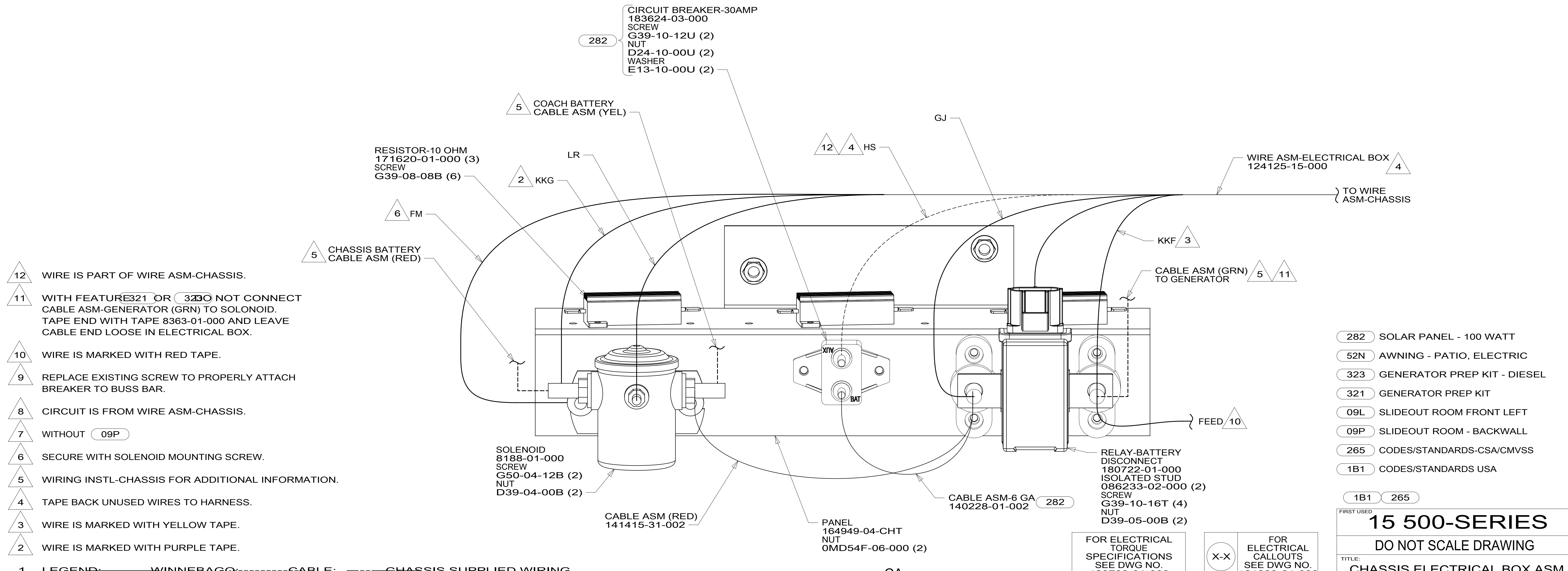
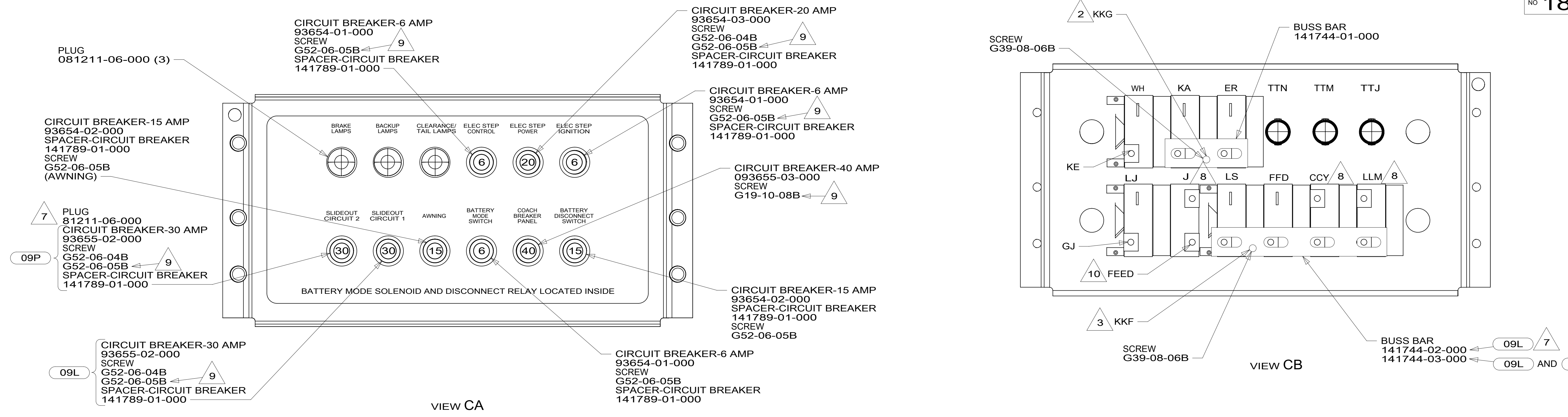
DO NOT SCALE DRAWING

TITLE: CHASSIS ELECTRICAL BOX ASM

SHEET 2 PART NO. 187479 REV

05-Aug-2015

* 187479 *



- 12 WIRE IS PART OF WIRE ASM-CHASSIS.
- 11 WITH FEATURE 321 OR 323 NOT CONNECT CABLE ASM-GENERATOR (GRN) TO SOLENOID. TAPE END WITH TAPE 8363-01-000 AND LEAVE CABLE END LOOSE IN ELECTRICAL BOX.
- 10 WIRE IS MARKED WITH RED TAPE.
- 9 REPLACE EXISTING SCREW TO PROPERLY ATTACH BREAKER TO BUSS BAR.
- 8 CIRCUIT IS FROM WIRE ASM-CHASSIS.
- 7 WITHOUT 09P
- 6 SECURE WITH SOLENOID MOUNTING SCREW.
- 5 WIRING INSTL-CHASSIS FOR ADDITIONAL INFORMATION.
- 4 TAPE BACK UNUSED WIRES TO HARNESS.
- 3 WIRE IS MARKED WITH YELLOW TAPE.
- 2 WIRE IS MARKED WITH PURPLE TAPE.

1. LEGEND: — WINNEBAGO; - - - - - GABLE; - - - - - CHASSIS SUPPLIED WIRING.

- 282 SOLAR PANEL - 100 WATT
- 52N AWNING - PATIO, ELECTRIC
- 323 GENERATOR PREP KIT - DIESEL
- 321 GENERATOR PREP KIT
- 09L SLIDEOUT ROOM FRONT LEFT
- 09P SLIDEOUT ROOM - BACKWALL
- 265 CODES/STANDARDS-CSA/CMVSS
- 1B1 CODES/STANDARDS USA

FOR ELECTRICAL TORQUE SPECIFICATIONS SEE DWG NO. 128783-01-000

FOR ELECTRICAL CALLOUTS SEE DWG NO. 121339-01-000

FIRST USED

15 500-SERIES

DO NOT SCALE DRAWING

TITLE: CHASSIS ELECTRICAL BOX ASM

SHEET 3 PART NO 187479 REV

05-Aug-2015

* 187479 *