



DANGER

Danger of electrical shock, burns or death. Always remove all power sources before attempting any repair, service or diagnostic work. Power can be present from shore power, generator, inverter or battery. All power sources must be disabled and secured before performing any service.

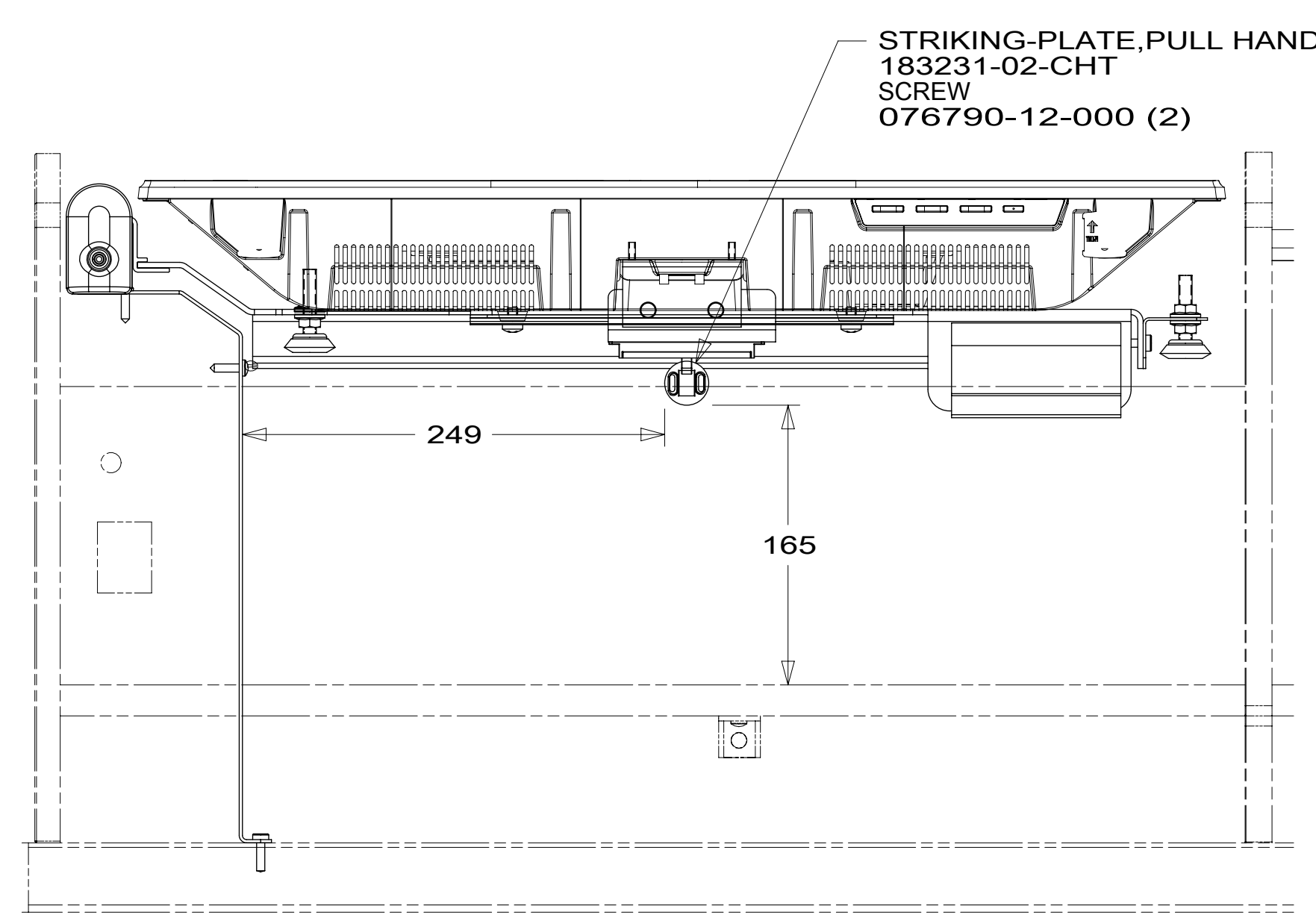
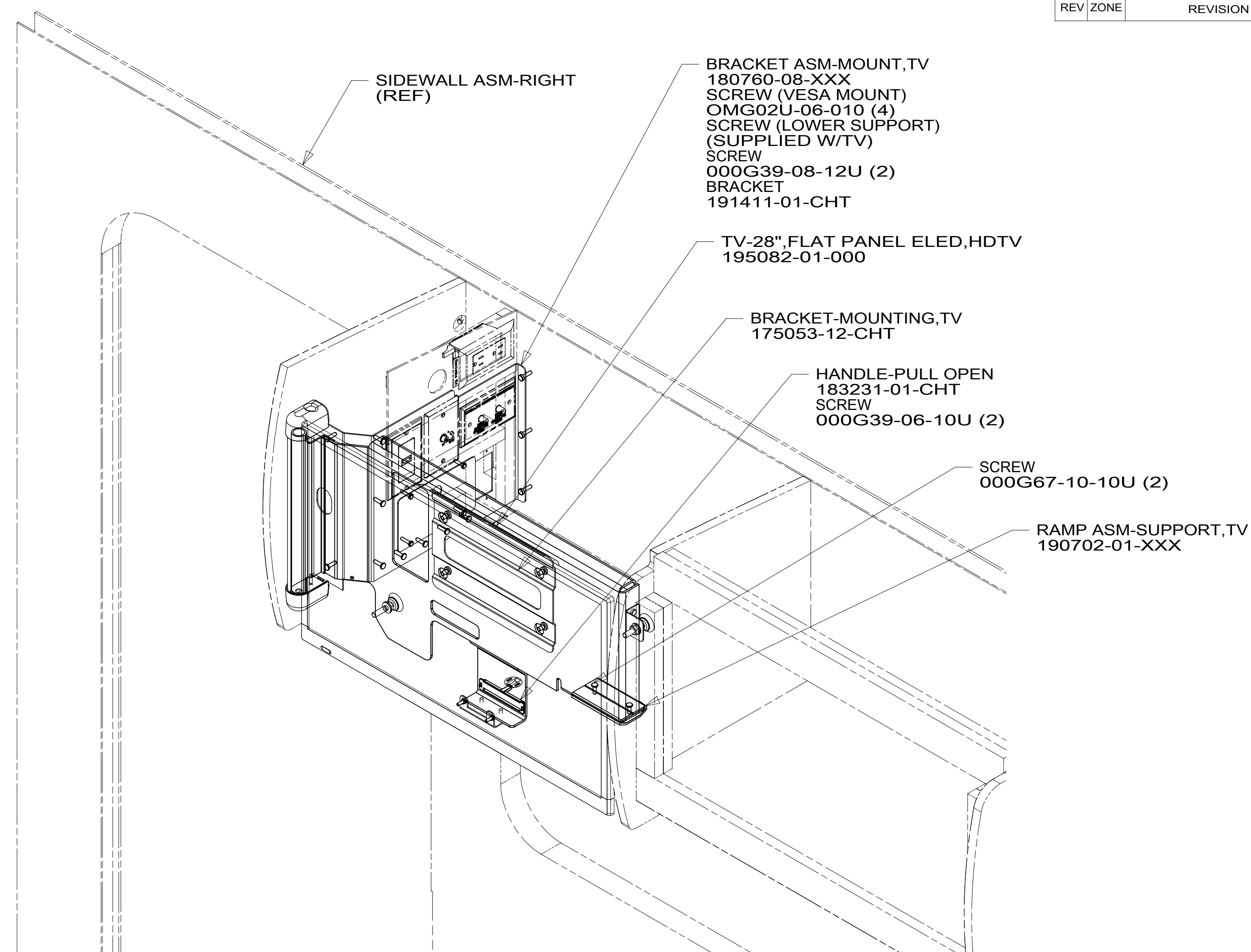
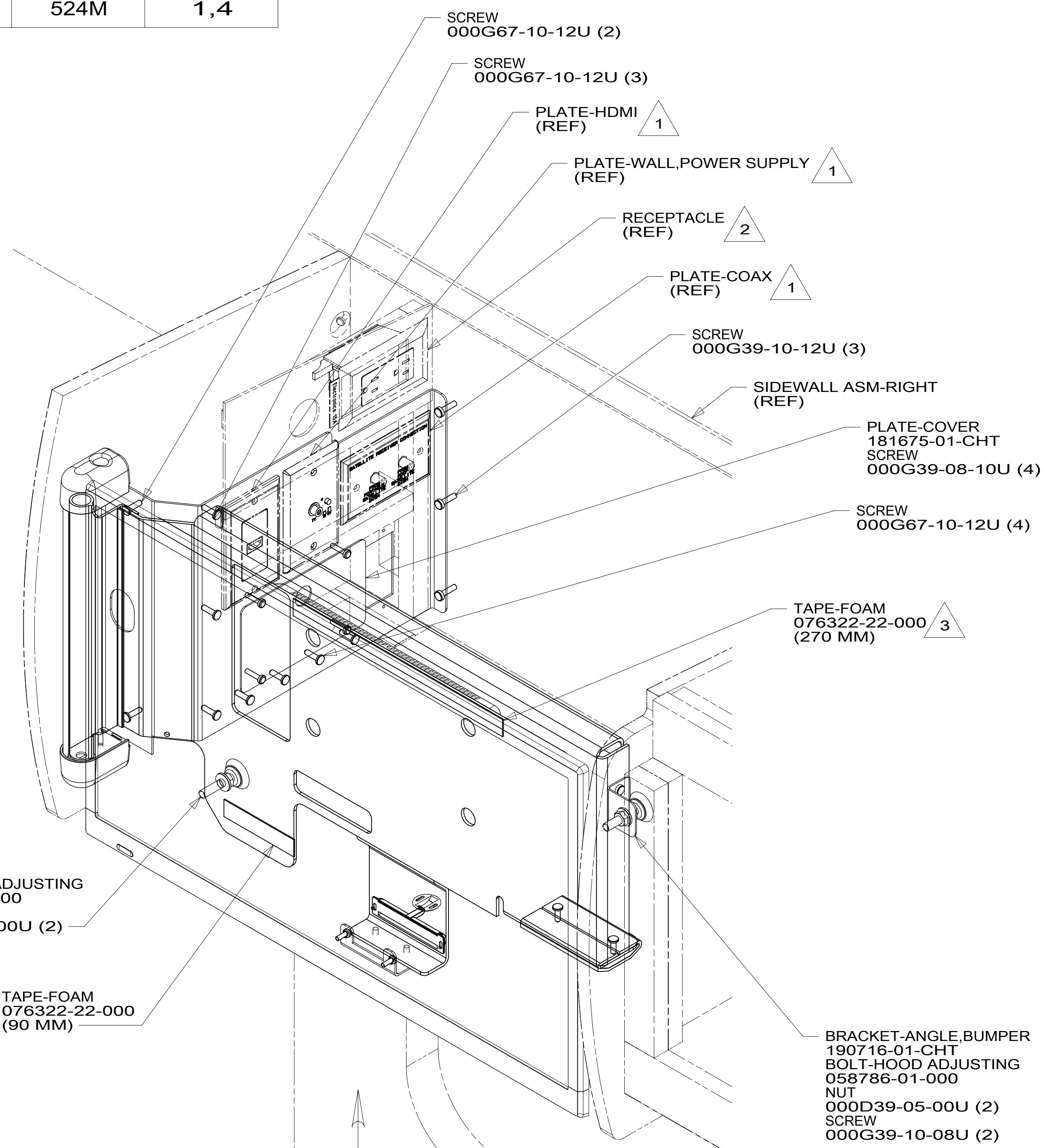


CAUTION

If you lack the skills, tools or equipment to perform diagnostic or repair work leave such work to an authorized Winnebago Industries dealer or other qualified shop.

DRAWING NO.	MODEL	SHEETS
187250-01	524J	1,2,6
187250-02	524G	1,3,4
187250-03	524V	1,4,5
187250-04	524M	1,4

RELEASE	REV/DATE	DWG NO	187250
REV ZONE	REVISION RECORD	DATE	DTR-ORIG



- NOTES:
- 3 PREP SURFACE WITH 087211-01-000.
 - 2 SEE WIRING INSTL-BODY,110V FOR ADDITIONAL INFORMATION.
 - 1 SEE WIRING INSTL-BODY,12V FOR ADDITIONAL INFORMATION.

FOR ELECTRICAL TORQUE SPECIFICATIONS SEE DWG NO. 128783-01-000

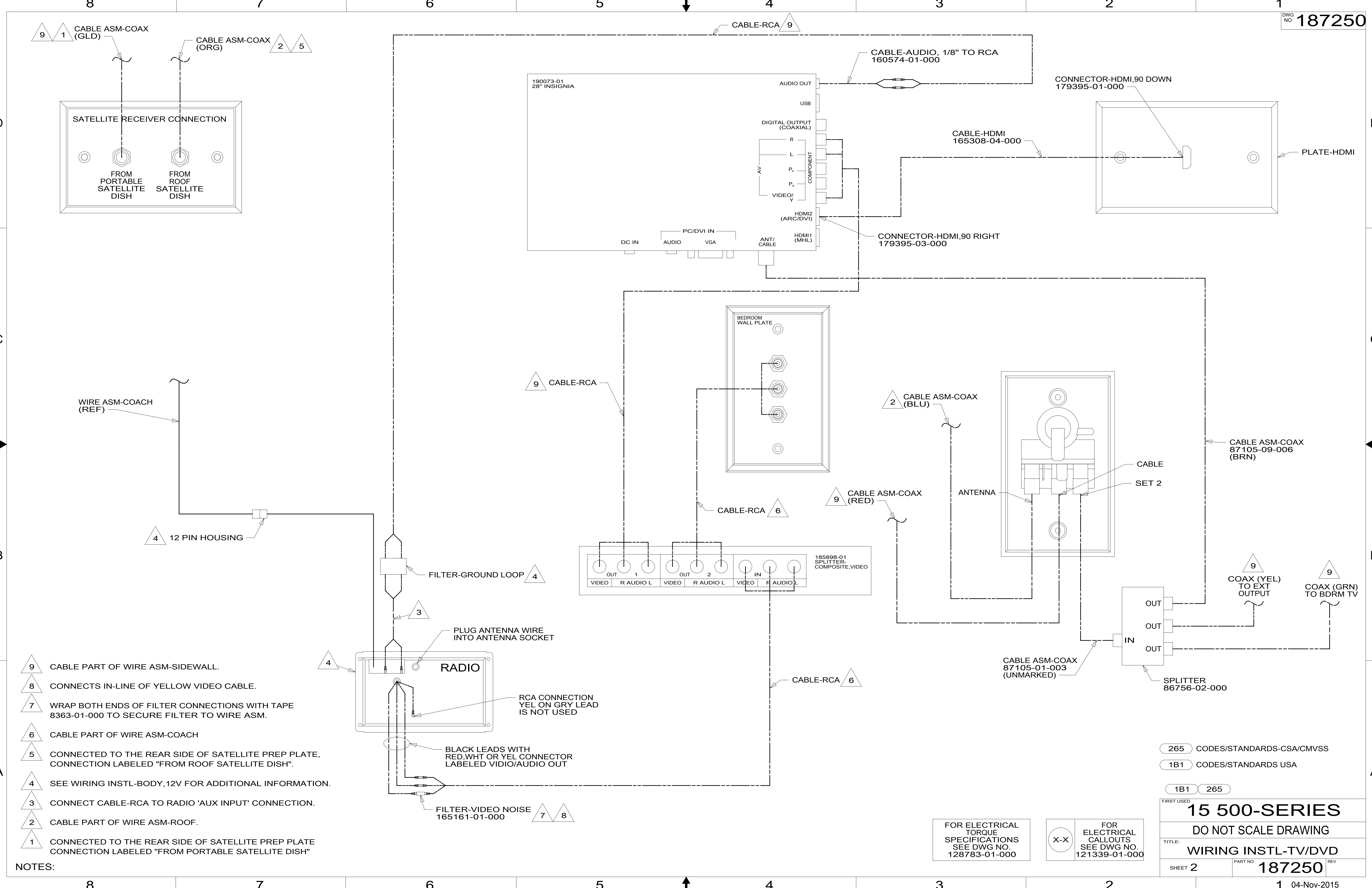
FOR ELECTRICAL CALLOUTS SEE DWG NO. 121339-01-000

- 265 CODES/STANDARDS-CSA/CMVSS
- 1B1 CODES/STANDARDS USA
- 1B1 265

		COPYRIGHT 2014 WINNEBAGO INDUSTRIES, INC.	
DTR	ORIG. DATE	ALL DIMENSIONS ARE IN MILLIMETERS	
CHKR		FIRST USED	
P.E.		15 500-SERIES	
M.E.		MATERIAL:	
DSNR		UNSPECIFIED TOLERANCES ARE:	
		WHOLE DIM (X)	: 3
		ONE-PLACE (X.X)	: 1.5
		TWO-PLACE (X.XX)	: 0.50
		ANGLE	: 1°
THIRD ANGLE PROJECTION			
DO NOT SCALE DRAWING		REFER TO ES0018 FOR FASTENER TIGHTENING GUIDELINES	
TITLE: WIRING INSTL-TV/DVD			
SHEET 1 OF 6	PART NO 187250	REV	

VIEW AA

187250



- NOTES:
- 9 CABLE PART OF WIRE ASM-SIDEWALL.
 - 8 CONNECTS IN-LINE OF YELLOW VIDEO CABLE.
 - 7 WRAP BOTH ENDS OF FILTER CONNECTIONS WITH TAPE 8363-01-000 TO SECURE FILTER TO WIRE ASM.
 - 6 CABLE PART OF WIRE ASM-COACH
 - 5 CONNECTED TO THE REAR SIDE OF SATELLITE PREP PLATE, CONNECTION LABELED "FROM ROOF SATELLITE DISH".
 - 4 SEE WIRING INSTL-BODY, 12V FOR ADDITIONAL INFORMATION.
 - 3 CONNECT CABLE-RCA TO RADIO 'AUX INPUT' CONNECTION.
 - 2 CABLE PART OF WIRE ASM-ROOF.
 - 1 CONNECTED TO THE REAR SIDE OF SATELLITE PREP PLATE CONNECTION LABELED "FROM PORTABLE SATELLITE DISH"

265 CODES/STANDARDS-CSA/CMVSS
 1B1 CODES/STANDARDS USA

1B1 265

FIRST USED

15 500-SERIES

DO NOT SCALE DRAWING

TITLE: **WIRING INSTL-TV/DVD**

SHEET 2 PART NO **187250** REV

1 04-Nov-2015

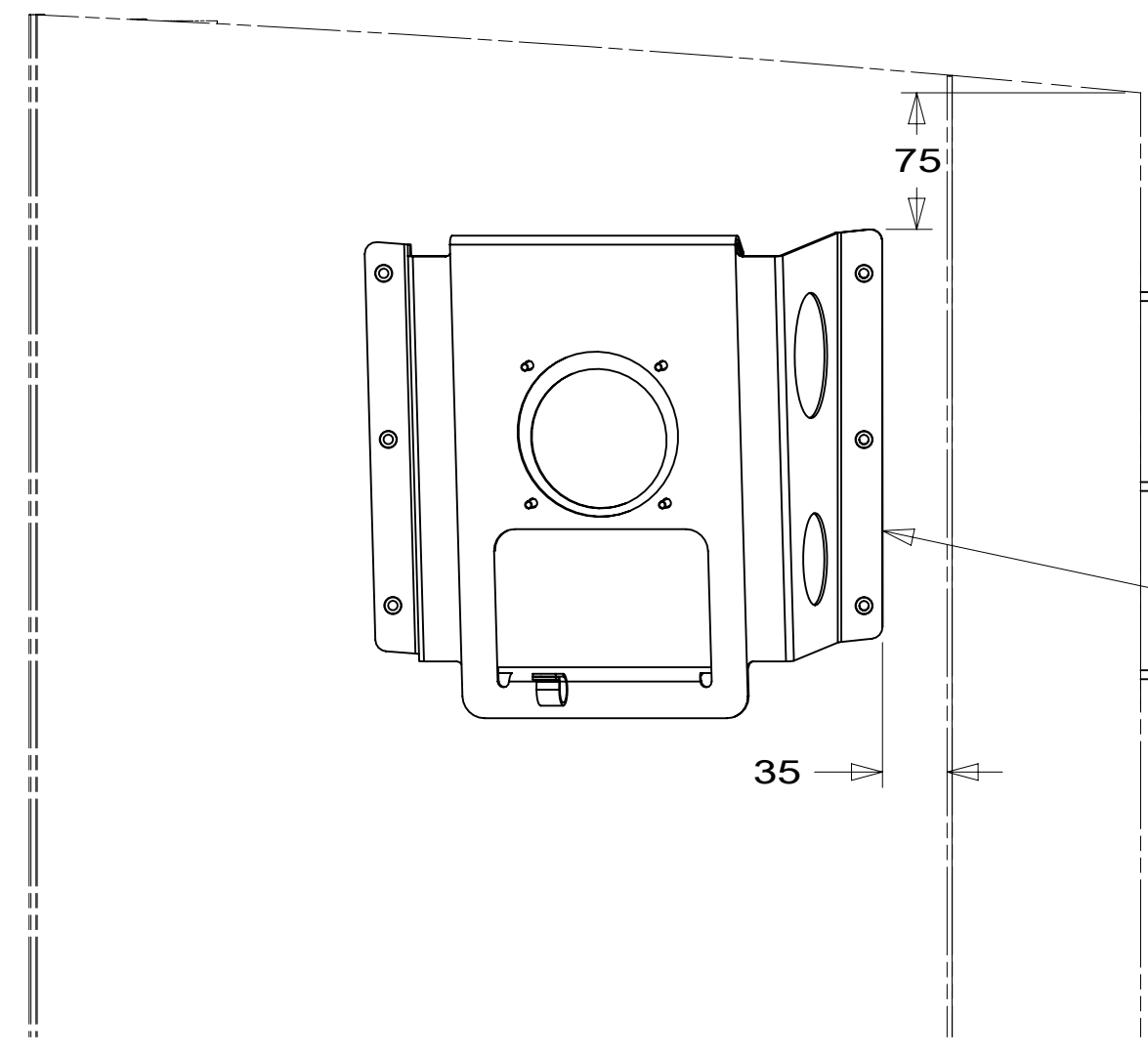
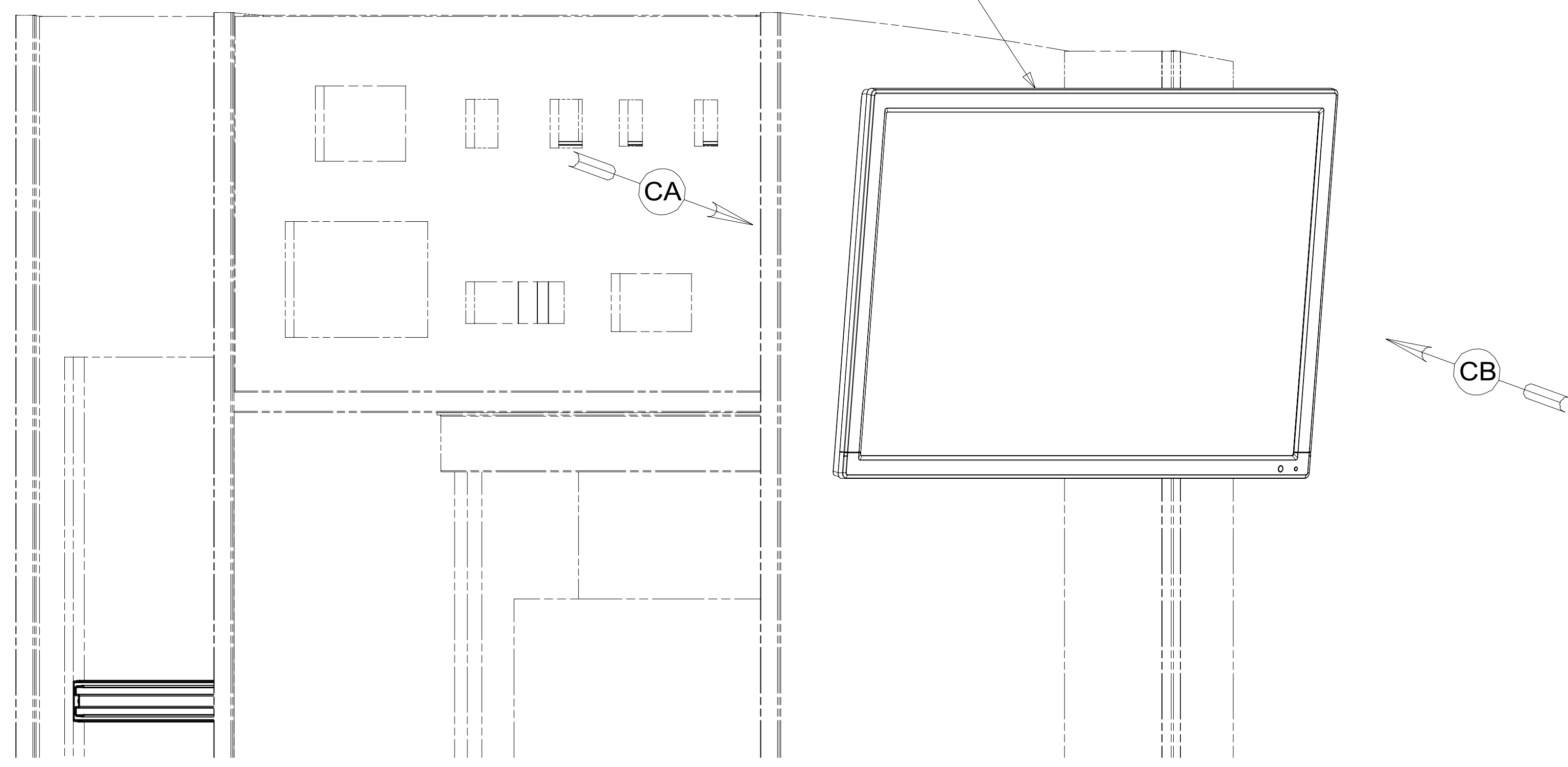
FOR ELECTRICAL TORQUE SPECIFICATIONS SEE DWG NO. 128783-01-000

FOR ELECTRICAL CALLOUTS SEE DWG NO. 121339-01-000

187250

- TV-24" FLAT PANEL DLED,HDTV
- 194363-01-000
- PLATE-MOUNTING TV
- 302643-01-CHT
- SCREW
- OMG02U-04-012 (4)
- WASHER
- OME02U-04-071 (4)
- SCREW
- G39-10-08U (2)
- CORD-POWER,12VDC
- 191991-01-000
- CABLE ASM-COAX
- 087105-01-006
- CABLE-RCA,3WAY
- 136860-03-000
- CLAMP
- 010495-01-000

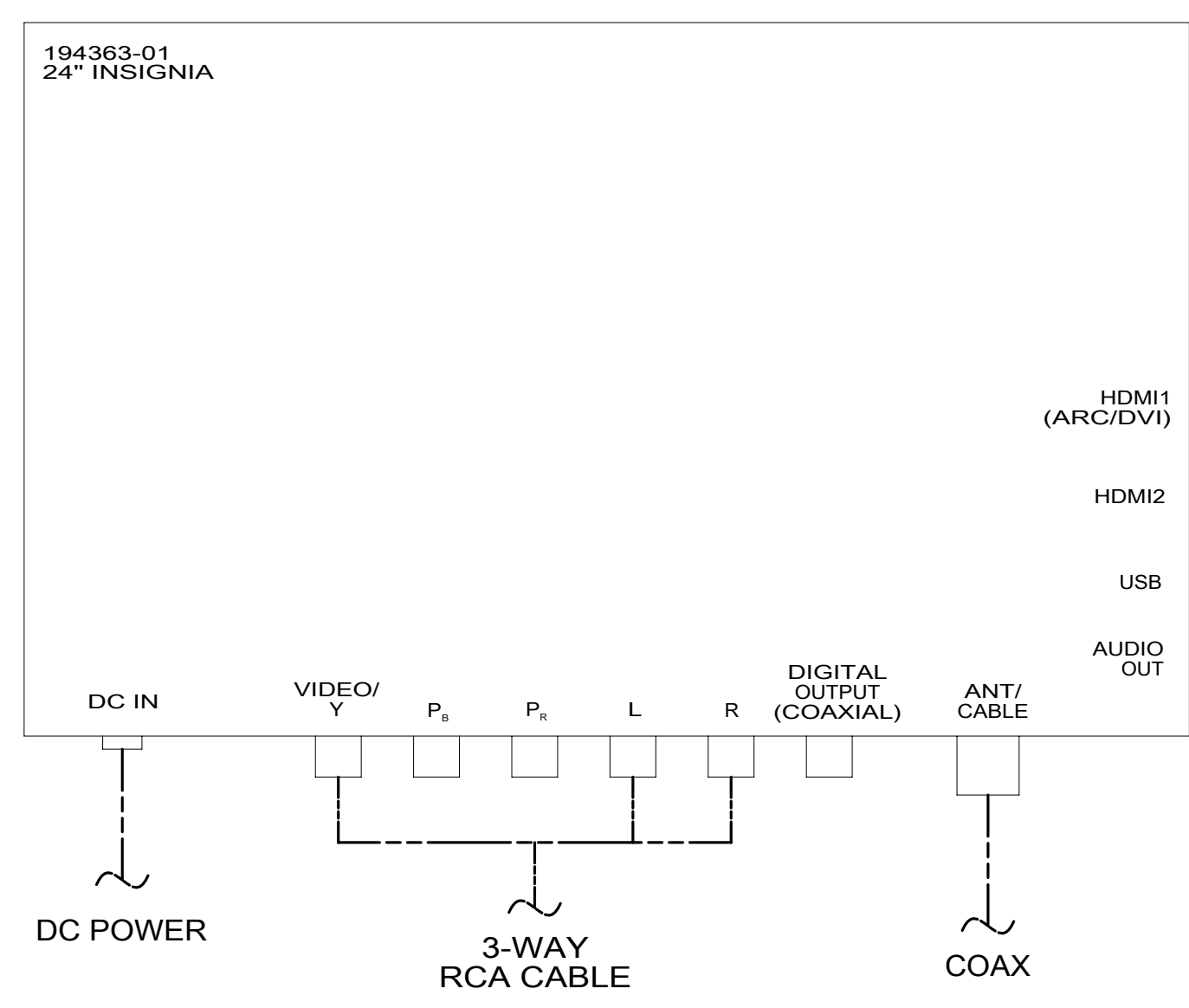
68X



- BRACKET-TV
- 302716-01-CHT
- SCREW
- G11-10-10U (6)
- GROMMET
- 114208-05-000

68X

VIEW CB



VIEW CA

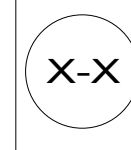
- 68X TV - BEDROOM
- 265 CODES/STANDARDS-CSA/CMVSS
- 1B1 CODES/STANDARDS USA

1B1 265

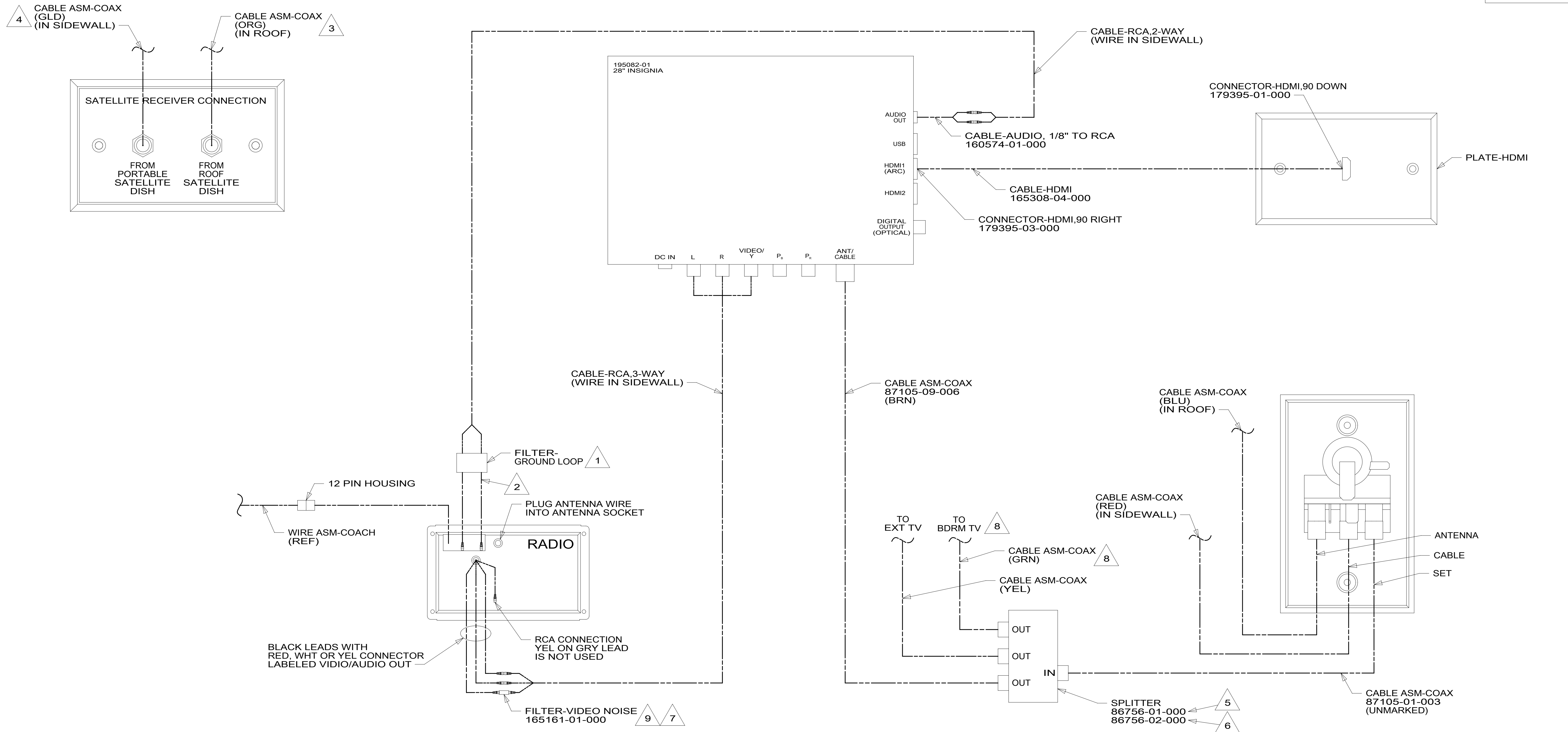
FIRST USED	
15 500-SERIES	
DO NOT SCALE DRAWING	
TITLE: WIRING INSTL-TV/DVD	
SHEET 3	PART NO 187250 REV
1 04-Nov-2015	

FOR ELECTRICAL TORQUE SPECIFICATIONS SEE DWG NO. 128783-01-000

FOR ELECTRICAL CALLOUTS SEE DWG NO. 121339-01-000



*187250 *A



- 9 CONNECTS IN-LINE OF YELLOW VIDEO CABLE.
- 8 NOT USED ON 524M.
- 7 WRAP BOTH ENDS OF FILTER CONNECTIONS WITH TAPE 8363-01-000 TO SECURE FILTER TO WIRE ASM.
- 6 USED ON 524G AND 524V ONLY.
- 5 USED ON 524M ONLY.
- 4 CONNECTED TO THE REAR SIDE OF SATELLITE PREP PLATE CONNECTION LABELED "FROM PORTABLE SATELLITE DISH"
- 3 CONNECTED TO THE REAR SIDE OF SATELLITE PREP PLATE, CONNECTION LABELED "FROM ROOF SATELLITE DISH".
- 2 CONNECT CABLE-RCA TO RADIO 'AUX INPUT' CONNECTION.
- 1 SEE WIRE INSTL-BODY, 12V FOR ADDITIONAL INFORMATION

NOTES:

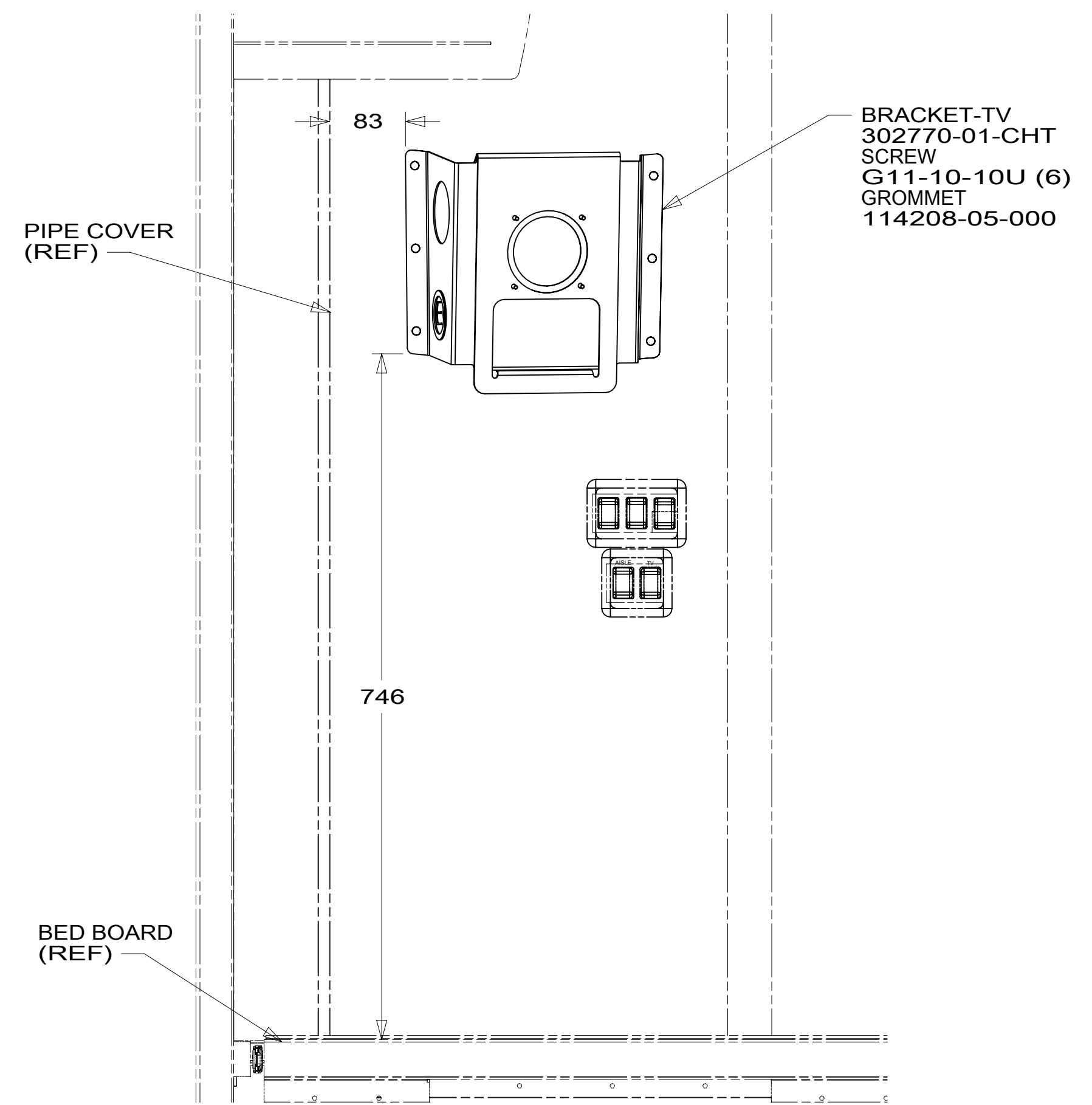
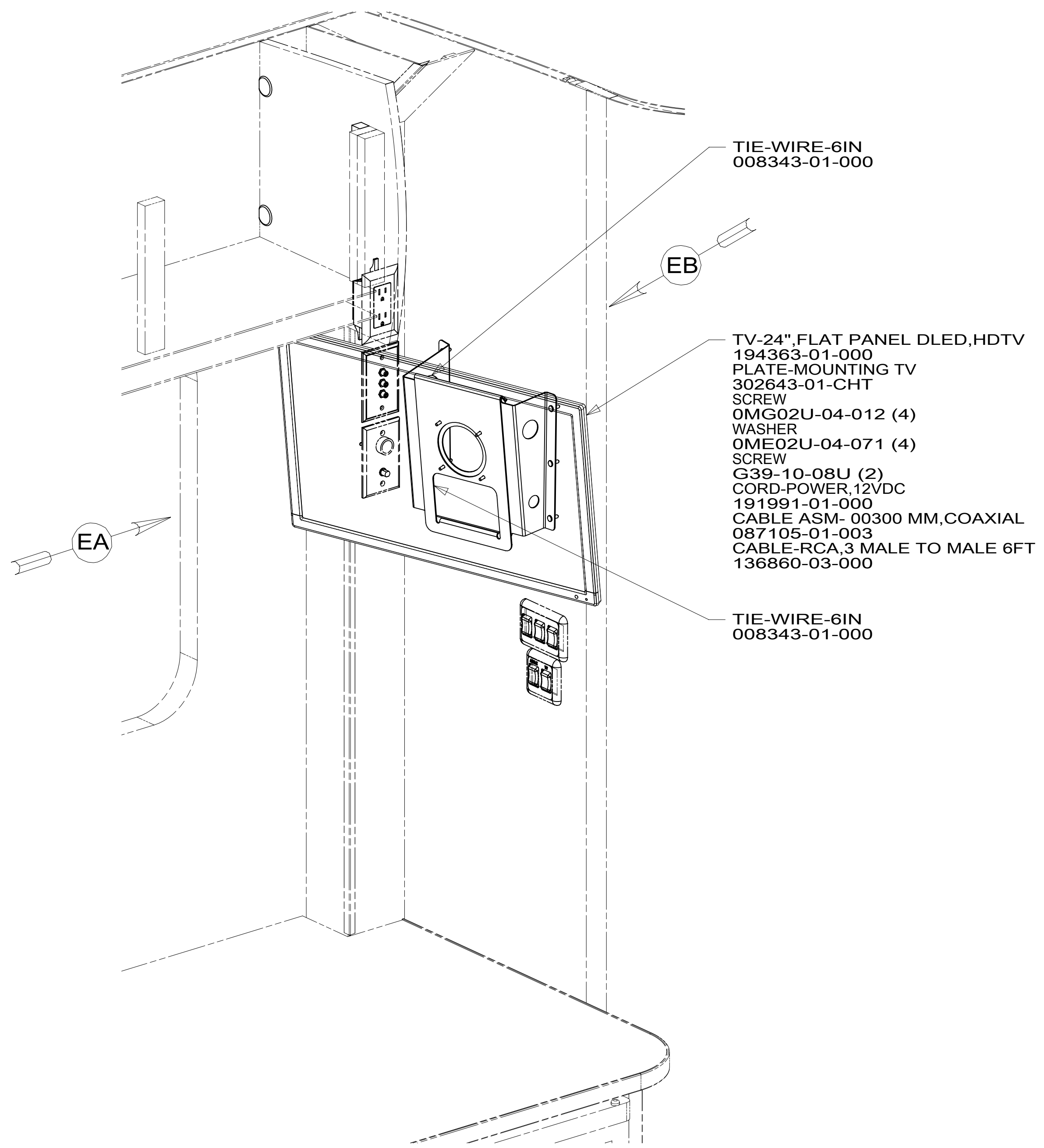
FOR ELECTRICAL TORQUE SPECIFICATIONS SEE DWG NO. 128783-01-000

FOR ELECTRICAL CALLOUTS SEE DWG NO. 121339-01-000

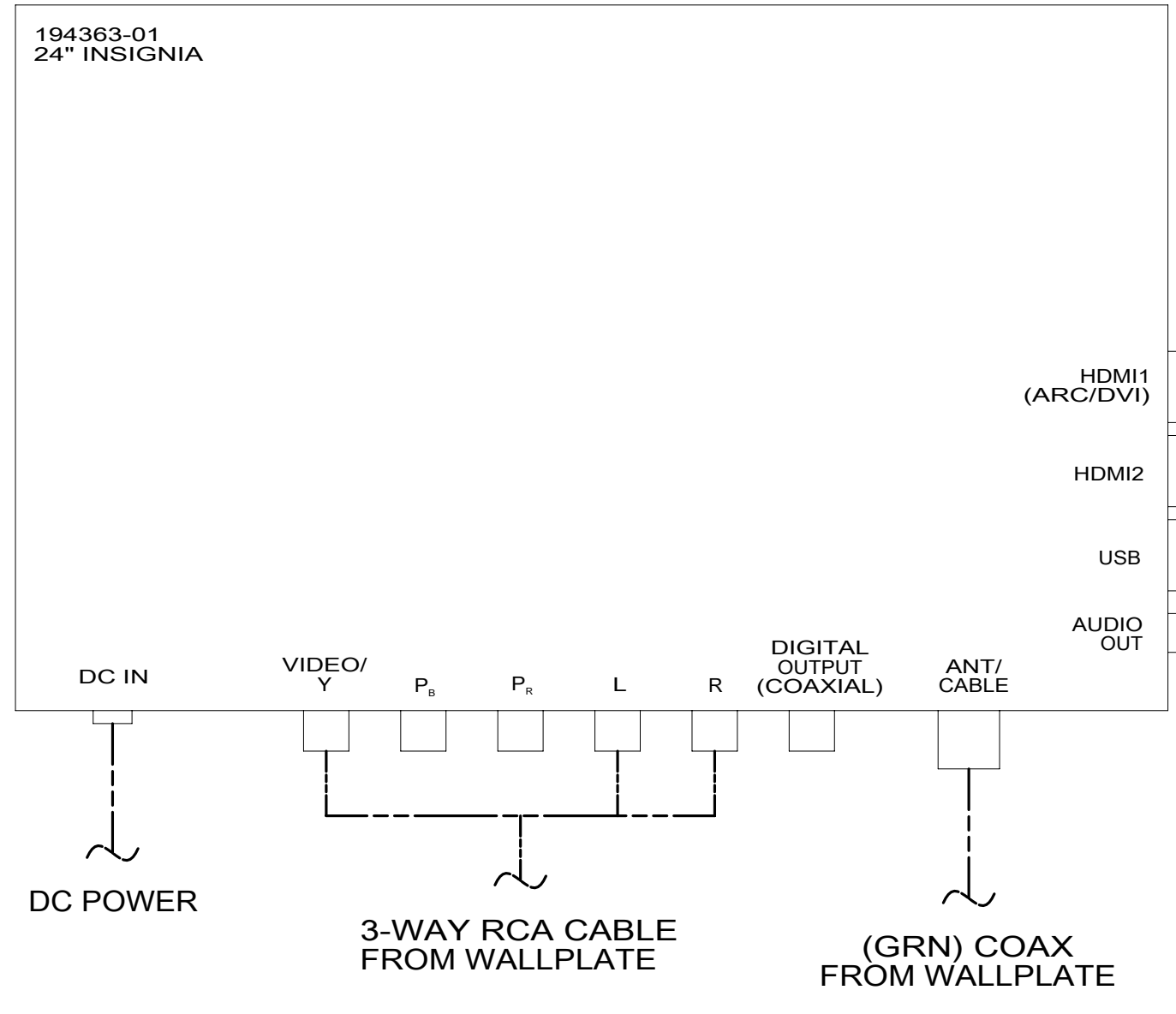
265 CODES/STANDARDS-CSA/CMVSS
 1B1 CODES/STANDARDS USA
 1B1 265

FIRST USED
15 500-SERIES
 DO NOT SCALE DRAWING
 TITLE: **WIRING INSTL-TV/DVD**
 SHEET 4 PART NO **187250** REV

187250



VIEW EA



VIEW EB

- 68X TV - BEDROOM
- 265 CODES/STANDARDS-CSA/CMVSS
- 1B1 CODES/STANDARDS USA

1B1 265 68X

15 500-SERIES

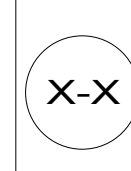
DO NOT SCALE DRAWING

TITLE: **WIRING INSTL-TV/DVD**

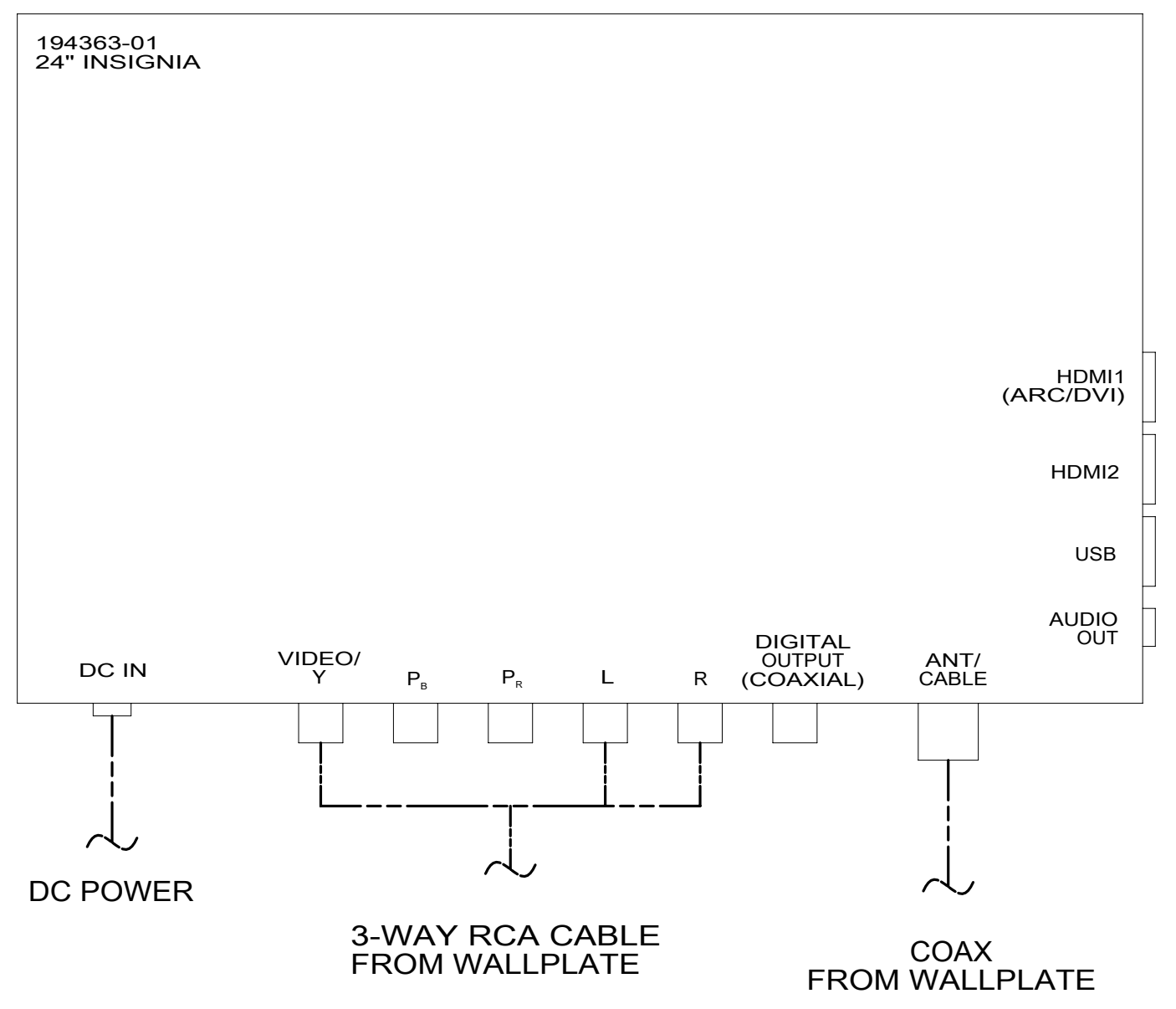
SHEET 5 PART NO **187250** REV

FOR ELECTRICAL TORQUE SPECIFICATIONS SEE DWG NO. 128783-01-000

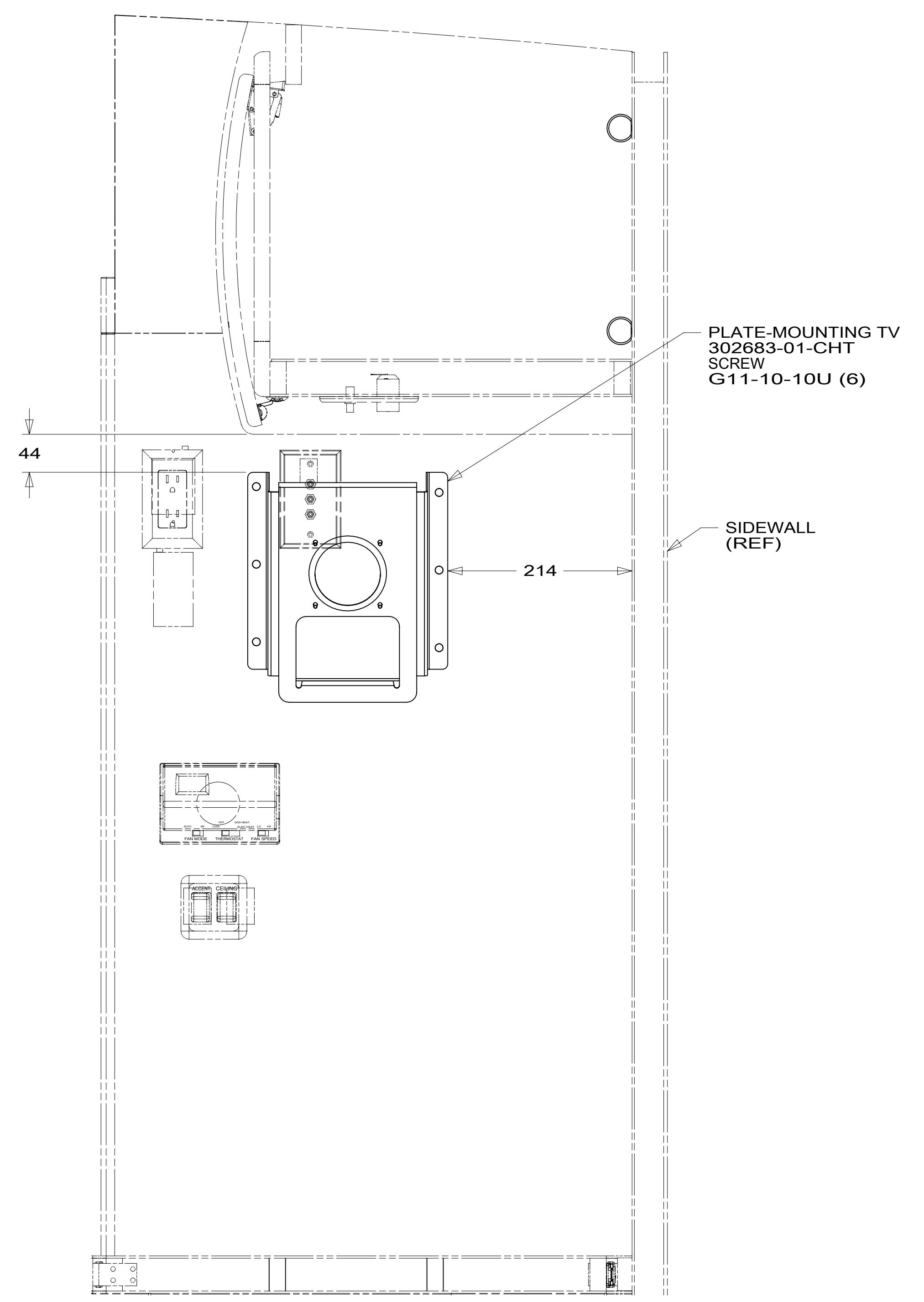
FOR ELECTRICAL CALLOUTS SEE DWG NO. 121339-01-000



187250



VIEW FB



VIEW FA

- TV-24",FLAT PANEL DLED,HDTV
- 194363-01-000
- PLATE-MOUNTING TV
- 302643-01-CHT
- SCREW
- OMG02U-04-012 (4)
- WASHER
- OME02U-04-071 (4)
- SCREW
- G39-10-08U (2)
- CORD-POWER,12VDC
- 191991-01-000
- CABLE ASM- 00900 MM,COAXIAL
- 087105-01-009
- CABLE-RCA,3 MALE TO MALE 6FT
- 136860-03-000

FOR ELECTRICAL TORQUE SPECIFICATIONS SEE DWG NO. 128783-01-000

FOR ELECTRICAL CALLOUTS SEE DWG NO. 121339-01-000

- 68X TV - BEDROOM
- 265 CODES/STANDARDS-CSA/CMVSS
- 1B1 CODES/STANDARDS USA

1B1	265	68X
FIRST USED		
15 500-SERIES		
DO NOT SCALE DRAWING		
TITLE: WIRING INSTL-TV/DVD		
SHEET 6	PART NO 187250	REV