



**DANGER**

**Danger of electrical shock, burns or death.** Always remove all power sources before attempting any repair, service or diagnostic work. Power can be present from shore power, generator, inverter or battery. All power sources must be disabled and secured before performing any service.

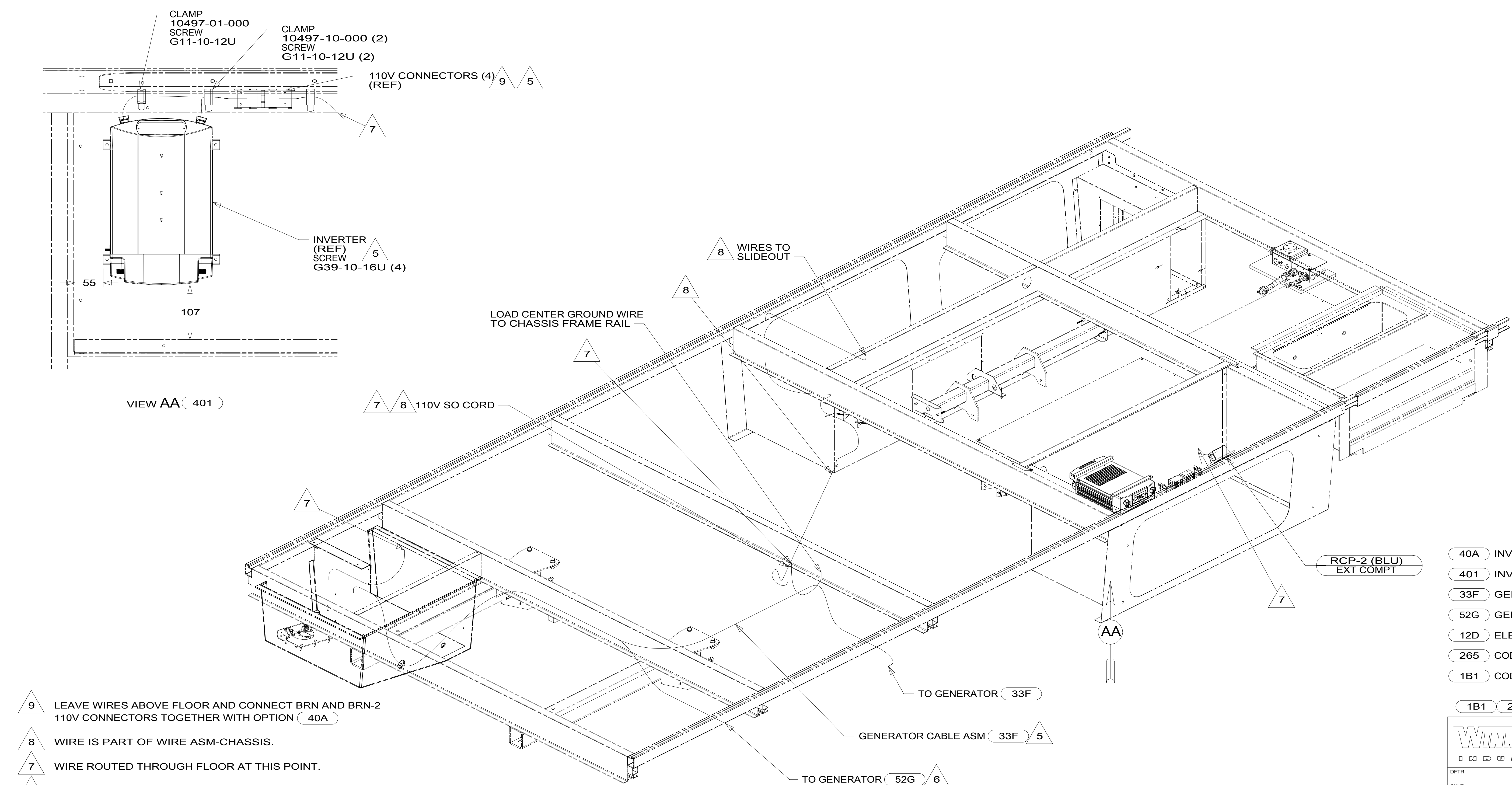


**CAUTION**

If you lack the skills, tools or equipment to perform diagnostic or repair work leave such work to an authorized Winnebago Industries dealer or other qualified shop.

DRAWING NO.	FEATURE
187245-01	-----
187245-11	1B1 12D
187245-15	265 12D

RELEASE	REV/DATE	DWG NO	187245
REV ZONE	REVISION RECORD	DATE	DFT-ORIG



- 9 LEAVE WIRES ABOVE FLOOR AND CONNECT BRN AND BRN-2 110V CONNECTORS TOGETHER WITH OPTION 40A
- 8 WIRE IS PART OF WIRE ASM-CHASSIS.
- 7 WIRE ROUTED THROUGH FLOOR AT THIS POINT.
- 6 SEE GENERATOR INSTL FOR ADDITIONAL INFORMATION.
- 5 SEE LOAD CENTER/ATS ASM FOR ADDITIONAL INFORMATION.
- 4. SEE WIRING DIAGRAM-BODY, 110V FOR ADDITIONAL INFORMATION.
- 3. ALL GROUND WIRE TO BE COVERED WITH TUBING 8041-02-000.
- 2. ALL 110V WIRE TO BE CLAMPED WITH CLAMP 10497-05-000 WITHIN 200MM OF OUTLET BOXES, USE SCREW G67-10-12U.
- 1. AT MINIMUM ALL WIRES TO BE SUPPORTED AND SECURED PER CODE REQUIREMENTS. USE CLAMP 10495 OR 10497 OR WIRE TIE 8343 OR 108046 AND SCREW G67-XX-XXX OR G56-XX-XXX AS APPROPRIATE FOR INSTALLATION.

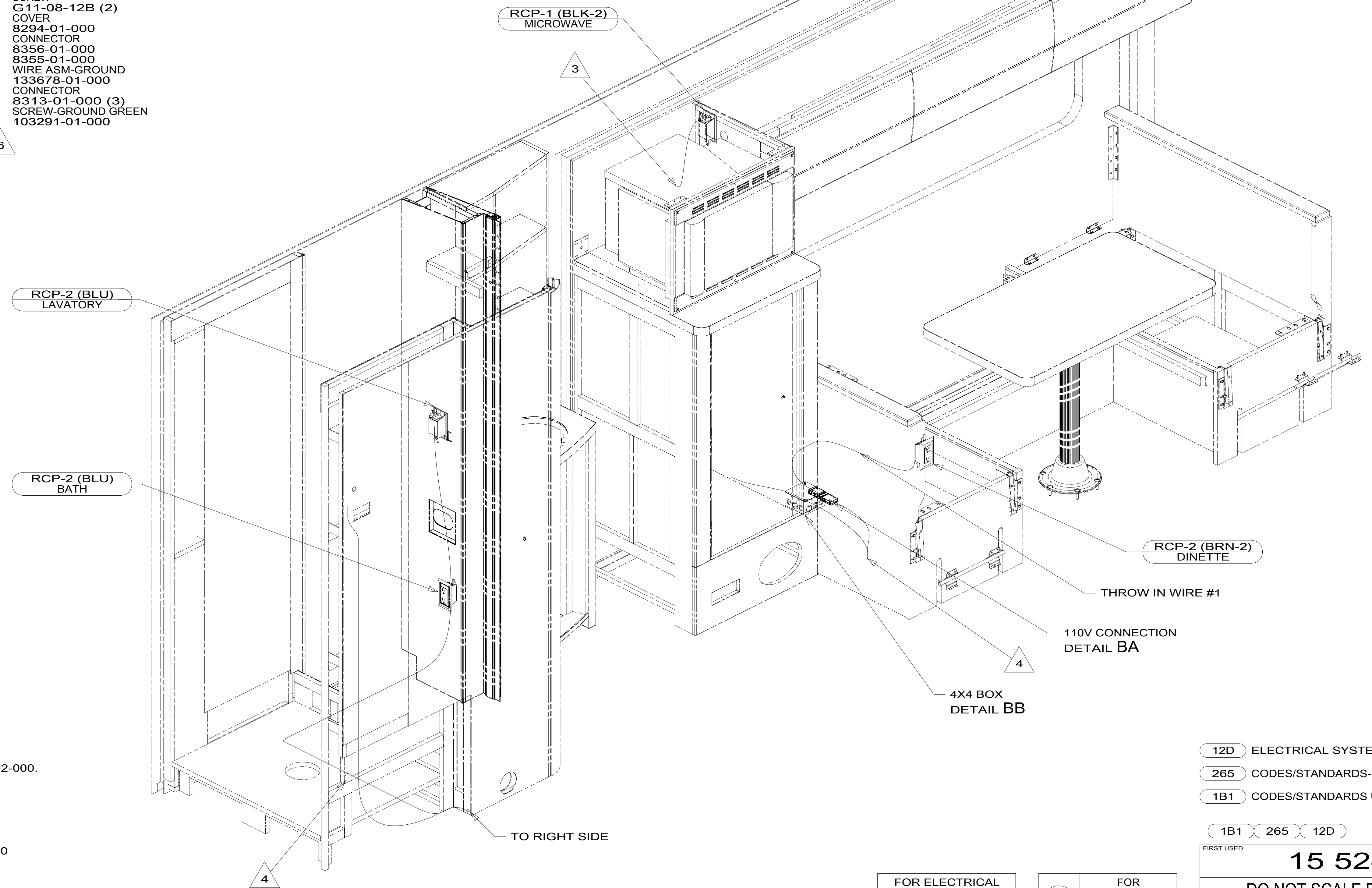
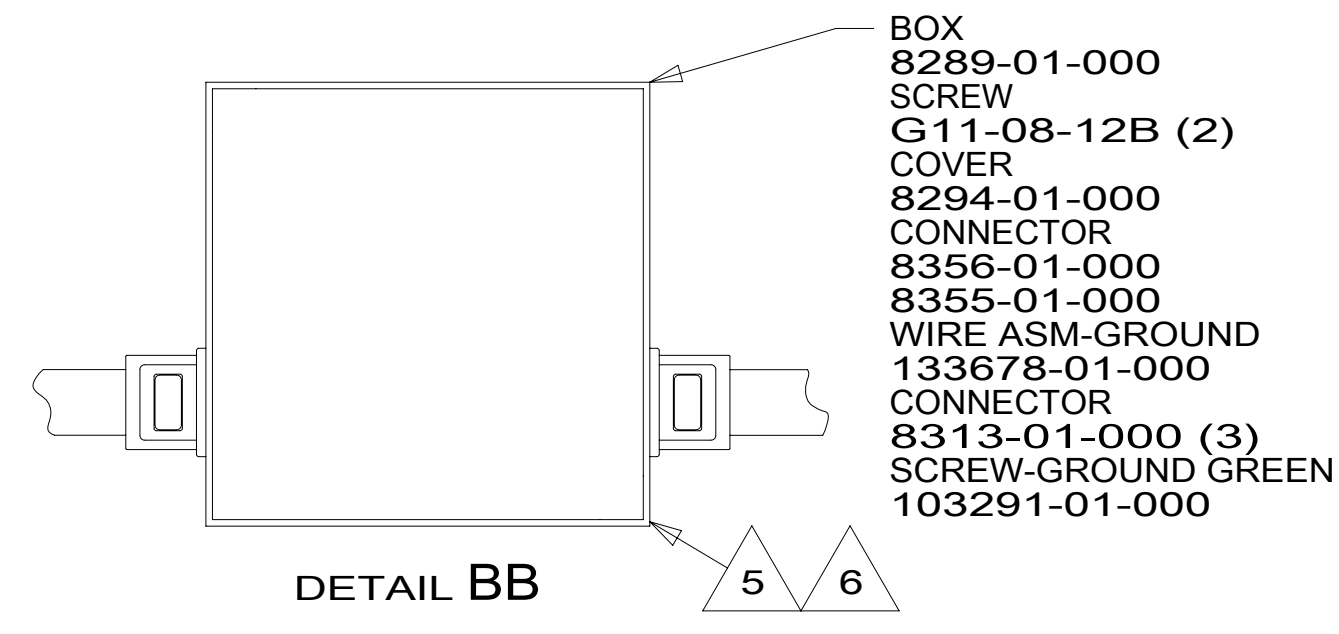
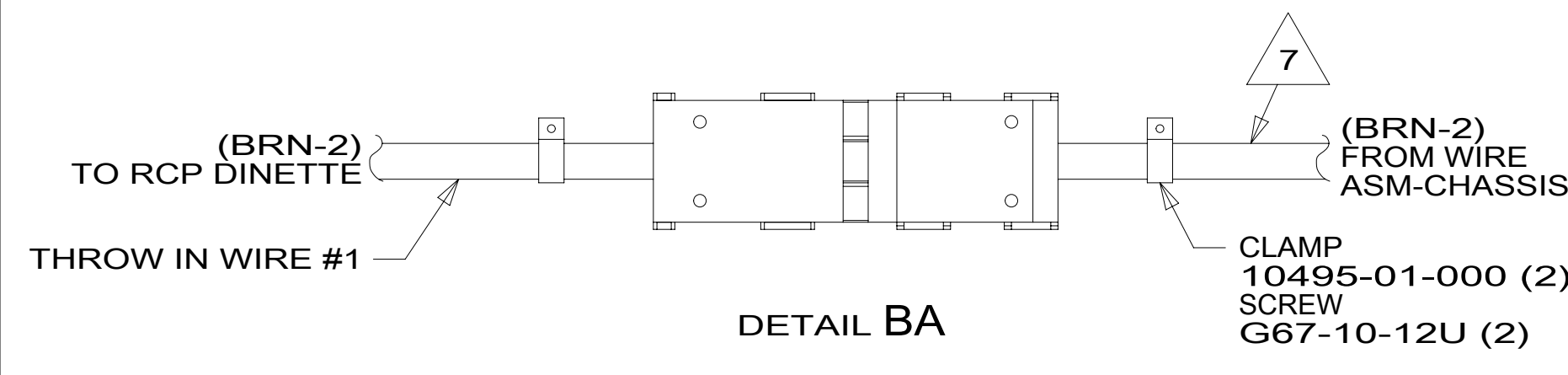
- 40A INVERTER-DC/AC WITHOUT
- 401 INVERTER-DC/AC, 1000 WATT
- 33F GEN-3.2 KW ONAN DIESEL
- 52G GEN-3.6KW ONAN LP MICROQUIET
- 12D ELECTRICAL SYSTEM 30 AMP
- 265 CODES/STANDARDS-CSA/CMVSS
- 1B1 CODES/STANDARDS USA

		COPYRIGHT 2014 WINNEBAGO INDUSTRIES, INC.
DFT-ORIG	ORIG. DATE	
CHKR	ALL DIMENSIONS ARE IN MILLIMETERS	
P.E.		
M.E.	FIRST USED	
DSNR	15 524J	
UNSPECIFIED TOLERANCES ARE:		MATERIAL:
WHOLE DIM (X)	: 3	
ONE-PLACE (X.X)	: 1.5	
TWO-PLACE (X.XX)	: 0.50	
ANGLE	: 1°	
THIRD ANGLE PROJECTION		
DO NOT SCALE DRAWING	REFER TO ES0018 FOR FASTENER TIGHTENING GUIDELINES	
TITLE: WIRING INSTL-BODY, 110V		
SHEET 1 OF 4	PART NO 187245	REV
REF:	1	18-Nov-2015

FOR ELECTRICAL TORQUE SPECIFICATIONS SEE DWG NO. 128783-01-000

X-X FOR ELECTRICAL CALLOUTS SEE DWG NO. 121339-01-000

\*187245 \*A



- 7 WIRE IS PART OF WIRE ASM-CHASSIS.
- 6 CONNECT WIRES, WHT TO WHT, BLK TO BLK, GROUNDS TO GROUNDS.
- 5 ALL GROUND WIRES TO BE COVERED WITH TUBING 8041-02-000.
- 4 WIRE ROUTED THRU FLOOR AT THIS POINT
- 3 WIRE ROUTED IN SIDEWALL.

- 2. ALL 110V WIRE TO BE CLAMPED WITH CLAMP 10497-05-000 WITHIN 200 OF OUTLET BOXES, USE SCREW G67-10-12U.
- 1. AT MINIMUM ALL WIRES TO BE SUPPORTED AND SECURED PER CODE REQUIREMENTS. USE CLAMP 10495 OR 10497 OR WIRE TIE 8343 OR 108046 AND SCREW G67-XX-XXX OR G56-XX-XXX AS APPROPRIATE FOR INSTALLATION.

NOTES:

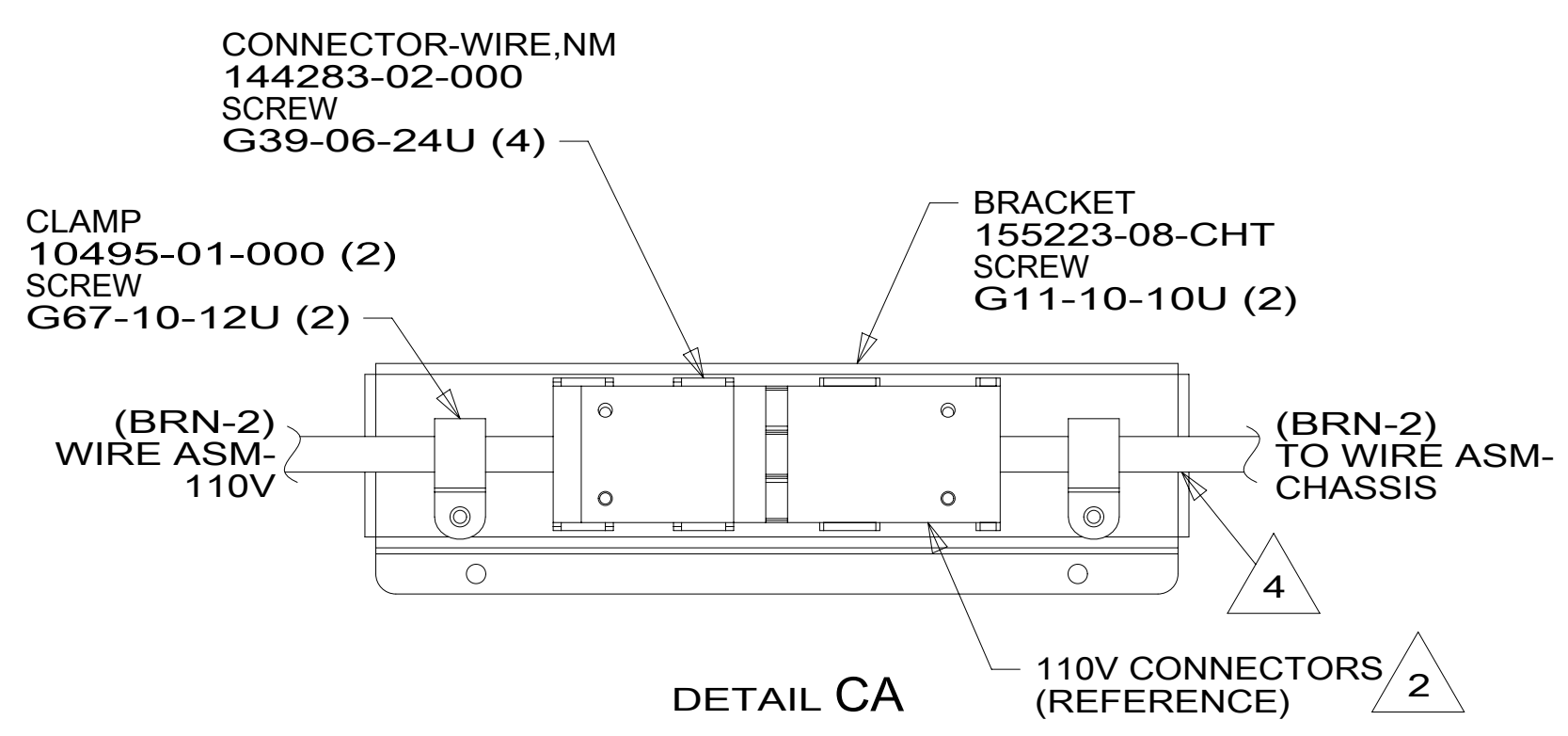
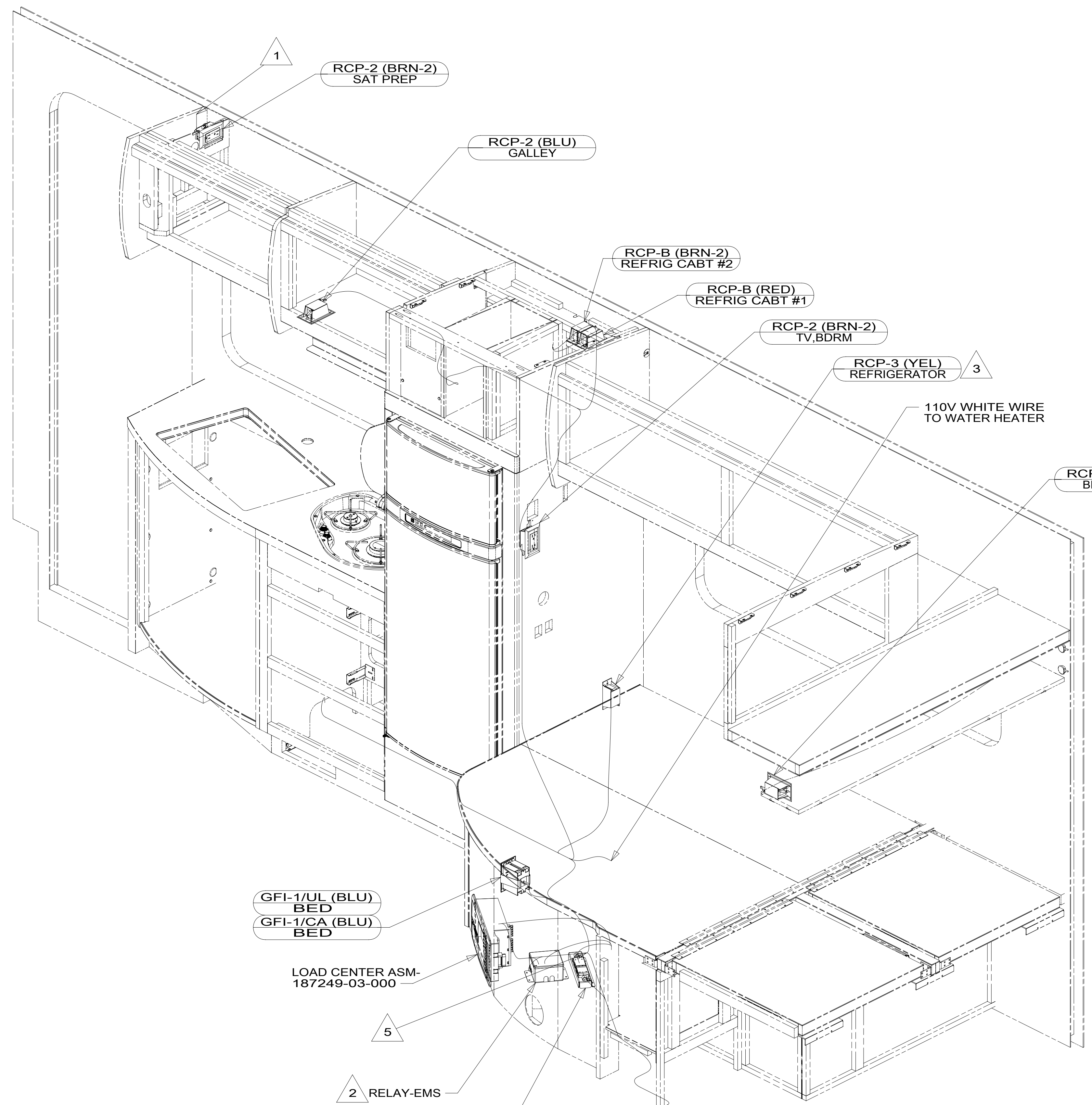
FOR ELECTRICAL TORQUE SPECIFICATIONS SEE DWG NO. 128783-01-000

FOR ELECTRICAL CALLOUTS SEE DWG NO. 121339-01-000

- 12D ELECTRICAL SYSTEM 30 AMP
- 265 CODES/STANDARDS-CSA/CMVSS
- 1B1 CODES/STANDARDS USA

FIRST USED	
<b>15 524J</b>	
DO NOT SCALE DRAWING	
TITLE: <b>WIRING INSTL-BODY, 110V</b>	
SHEET 2	PART NO <b>187245</b> REV
1 18-Nov-2015	

\*187245 \*A



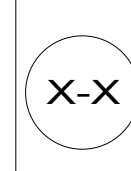
- NOTES:
- 5 (BRN) 3400 LOOP TO LEFT SIDE AND (BLU) 4200 DROP TO LEFT SIDE.
  - 4 WIRE IS PART OF WIRE ASM-CHASSIS.
  - 3 LOCATE REFRIGERATOR RECEPTACLE ON TIEDOWN BRACKET.
  - 2 SEE LOAD CENTER/ATS ASM FOR ADDITIONAL INFORMATION.
  - 1 WIRE ROUTED IN ROOF.

- 12D ELECTRICAL SYSTEM 30 AMP
- 265 CODES/STANDARDS-CSA/CMVSS
- 1B1 CODES/STANDARDS USA

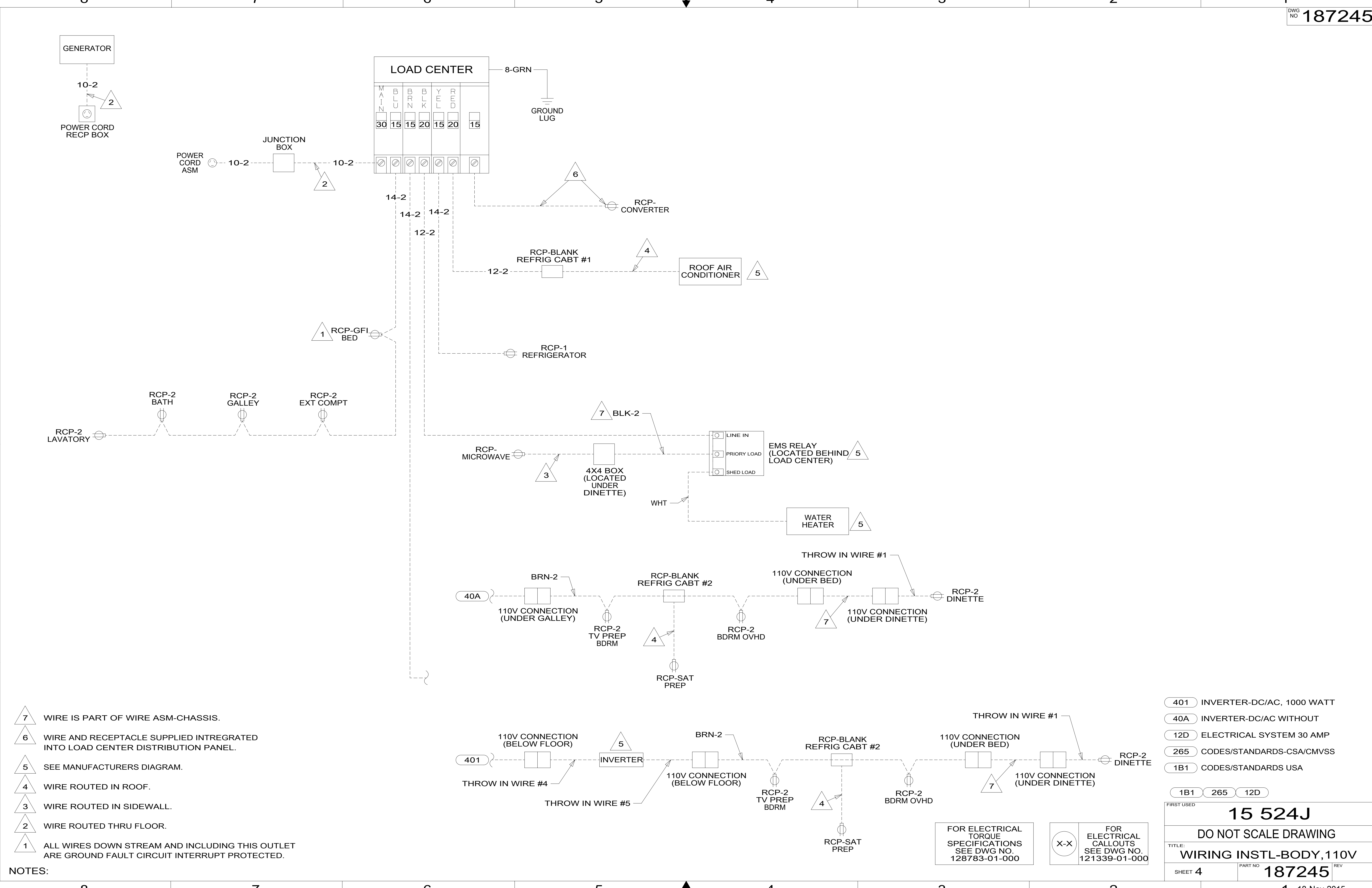
FIRST USED	
<b>15 524J</b>	
<b>DO NOT SCALE DRAWING</b>	
<b>TITLE: WIRING INSTL-BODY, 110V</b>	
SHEET 3	PART NO <b>187245</b> REV
1 18-Nov-2015	

FOR ELECTRICAL TORQUE SPECIFICATIONS SEE DWG NO. 128783-01-000

FOR ELECTRICAL CALLOUTS SEE DWG NO. 121339-01-000



\*187245 \*A



- NOTES:
- 7 WIRE IS PART OF WIRE ASM-CHASSIS.
  - 6 WIRE AND RECEPTACLE SUPPLIED INTREGATED INTO LOAD CENTER DISTRIBUTION PANEL.
  - 5 SEE MANUFACTURERS DIAGRAM.
  - 4 WIRE ROUTED IN ROOF.
  - 3 WIRE ROUTED IN SIDEWALL.
  - 2 WIRE ROUTED THRU FLOOR.
  - 1 ALL WIRES DOWN STREAM AND INCLUDING THIS OUTLET ARE GROUND FAULT CIRCUIT INTERRUPT PROTECTED.

- 401 INVERTER-DC/AC, 1000 WATT
- 40A INVERTER-DC/AC WITHOUT
- 12D ELECTRICAL SYSTEM 30 AMP
- 265 CODES/STANDARDS-CSA/CMVSS
- 1B1 CODES/STANDARDS USA

1B1	265	12D
FIRST USED		
<b>15 524J</b>		
DO NOT SCALE DRAWING		
TITLE: <b>WIRING INSTL-BODY, 110V</b>		
SHEET 4	PART NO <b>187245</b>	REV
1 18-Nov-2015		

FOR ELECTRICAL TORQUE SPECIFICATIONS SEE DWG NO. 128783-01-000

FOR ELECTRICAL CALLOUTS SEE DWG NO. 121339-01-000

\*187245 \*A