



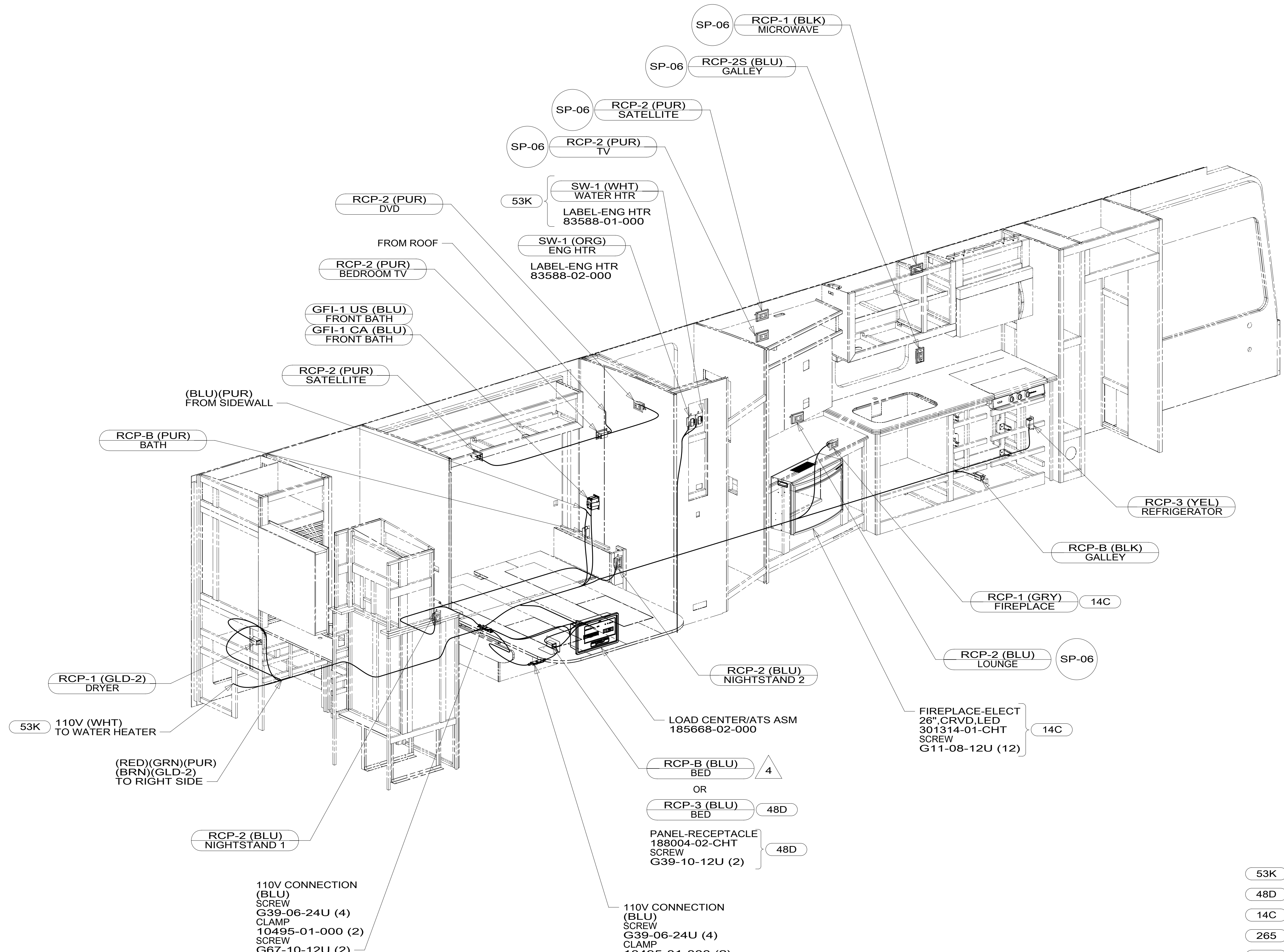
DANGER

Danger of electrical shock, burns or death. Always remove all power sources before attempting any repair, service or diagnostic work. Power can be present from shore power, generator, inverter or battery. All power sources must be disabled and secured before performing any service.



CAUTION

If you lack the skills, tools or equipment to perform diagnostic or repair work leave such work to an authorized Winnebago Industries dealer or other qualified shop.



- 53K 110V (WHT) TO WATER HEATER
- (RED)(GRN)(PUR)(BRN)(GLD-2) TO RIGHT SIDE
- RCP-1 (GLD-2) DRYER
- RCP-B (PUR) BATH
- (BLU)(PUR) FROM SIDEWALL
- RCP-2 (PUR) SATELLITE
- GFI-1 US (BLU) FRONT BATH
- GFI-1 CA (BLU) FRONT BATH
- RCP-2 (PUR) BEDROOM TV
- FROM ROOF
- RCP-2 (PUR) DVD
- 53K SW-1 (WHT) WATER HTR
- LABEL-ENG HTR 83588-01-000
- SW-1 (ORG) ENG HTR
- LABEL-ENG HTR 83588-02-000
- SP-06 RCP-2 (PUR) TV
- SP-06 RCP-2 (PUR) SATELLITE
- SP-06 RCP-1 (BLK) MICROWAVE
- SP-06 RCP-2S (BLU) GALLEY
- RCP-3 (YEL) REFRIGERATOR
- RCP-B (BLK) GALLEY
- RCP-1 (GRY) FIREPLACE 14C
- RCP-2 (BLU) LOUNGE SP-06
- RCP-2 (BLU) NIGHTSTAND 2
- LOAD CENTER/ATS ASM 185668-02-000
- RCP-B (BLU) BED 4
- OR
- RCP-3 (BLU) BED 48D
- PANEL-RECEPTACLE 188004-02-CHT SCREW G39-10-12U (2) 48D
- 110V CONNECTION (BLU) SCREW G39-06-24U (4) CLAMP 10495-01-000 (2) SCREW G67-10-12U (2)
- 110V CONNECTION (BLU) SCREW G39-06-24U (4) CLAMP 10495-01-000 (2) SCREW G67-10-12U (2)
- FIREPLACE-ELECT 26", CRVD, LED 301314-01-CHT SCREW G11-08-12U (12) 14C

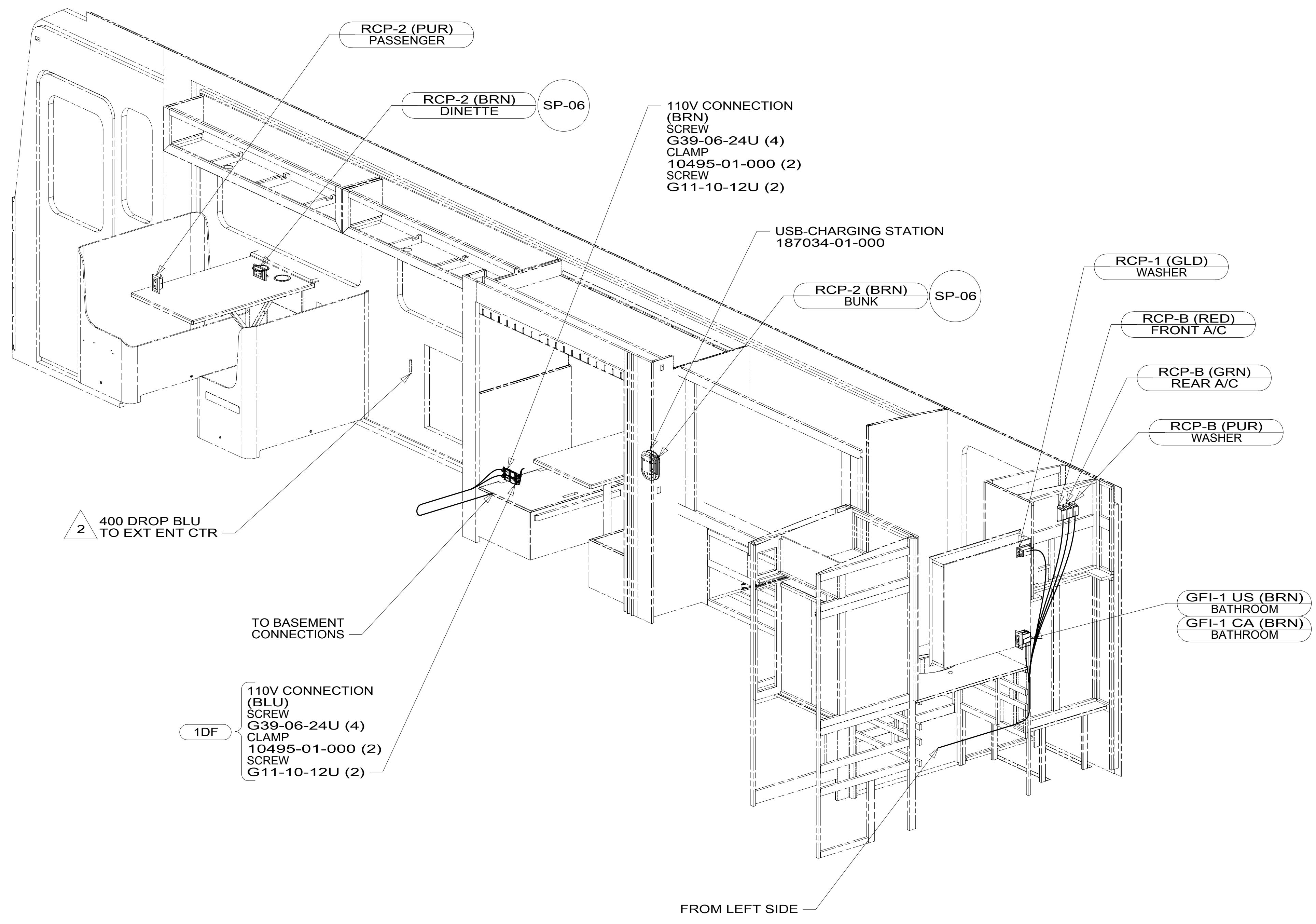
- 4 WITHOUT 48D
 - 3 SEE LOAD CENTER/ATS ASM FOR ADDITIONAL INFORMATION.
 - 2 PUSH WIRE THROUGH ROUTED PATH IN SIDEWALL.
1. ALL WIRES TO BE SECURED WITH CLAMP 10495 OR 10497 OR WIRE TIE 8343 OR 108046 EVERY 600 MM. USE SCREW G67-XX-XXX OR G56-XX-XXX AS APPROPRIATE FOR INSTALLATION.

- 53K WTR HTR-10GAL/ELECTRIC/LPGAS
- 48D BED-QUEEN, AIR SLEEP SYSTEM
- 14C FIREPLACE-ELECTRIC
- 265 CODES/STANDARDS-CSA/CMVSS
- 1B1 CODES/STANDARDS USA

FIRST USED	
14 L38R	
DO NOT SCALE DRAWING	
TITLE: WIRING INSTL-BODY, 110V	
SHEET 2	PART NO 186061 REV

FOR ELECTRICAL TORQUE SPECIFICATIONS SEE DWG NO. 128783-01-000

FOR ELECTRICAL CALLOUTS SEE DWG NO. 121339-01-000



2 SEE ENTERTAINMENT CTR COMPL-TV FOR ADDITIONAL INFORMATION.

- ALL WIRES TO BE SECURED WITH CLAMP 10495 OR 10497 OR WIRE TIE 8343 OR 108046 EVERY 600 MM. USE SCREW G67-XX-XXX OR G56-XX-XXX AS APPROPRIATE FOR INSTALLATION.

NOTES:

FOR ELECTRICAL TORQUE SPECIFICATIONS SEE DWG NO. 128783-01-000

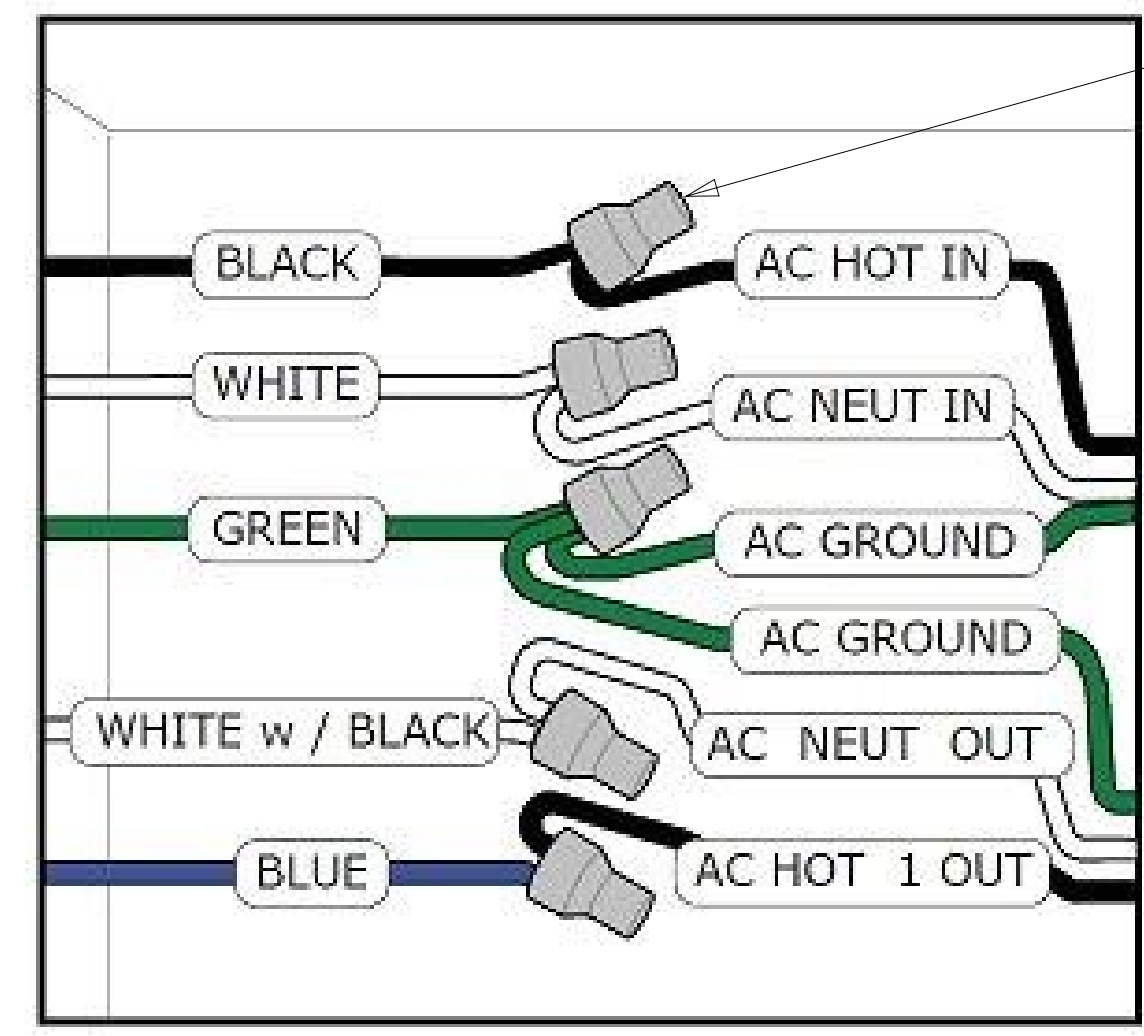
FOR ELECTRICAL CALLOUTS SEE DWG NO. 121339-01-000

- 1DF EXT TV ENTERTAINMENT CENTER
- 14C FIREPLACE-ELECTRIC
- 265 CODES/STANDARDS-CSA/CMVSS
- 1B1 CODES/STANDARDS USA

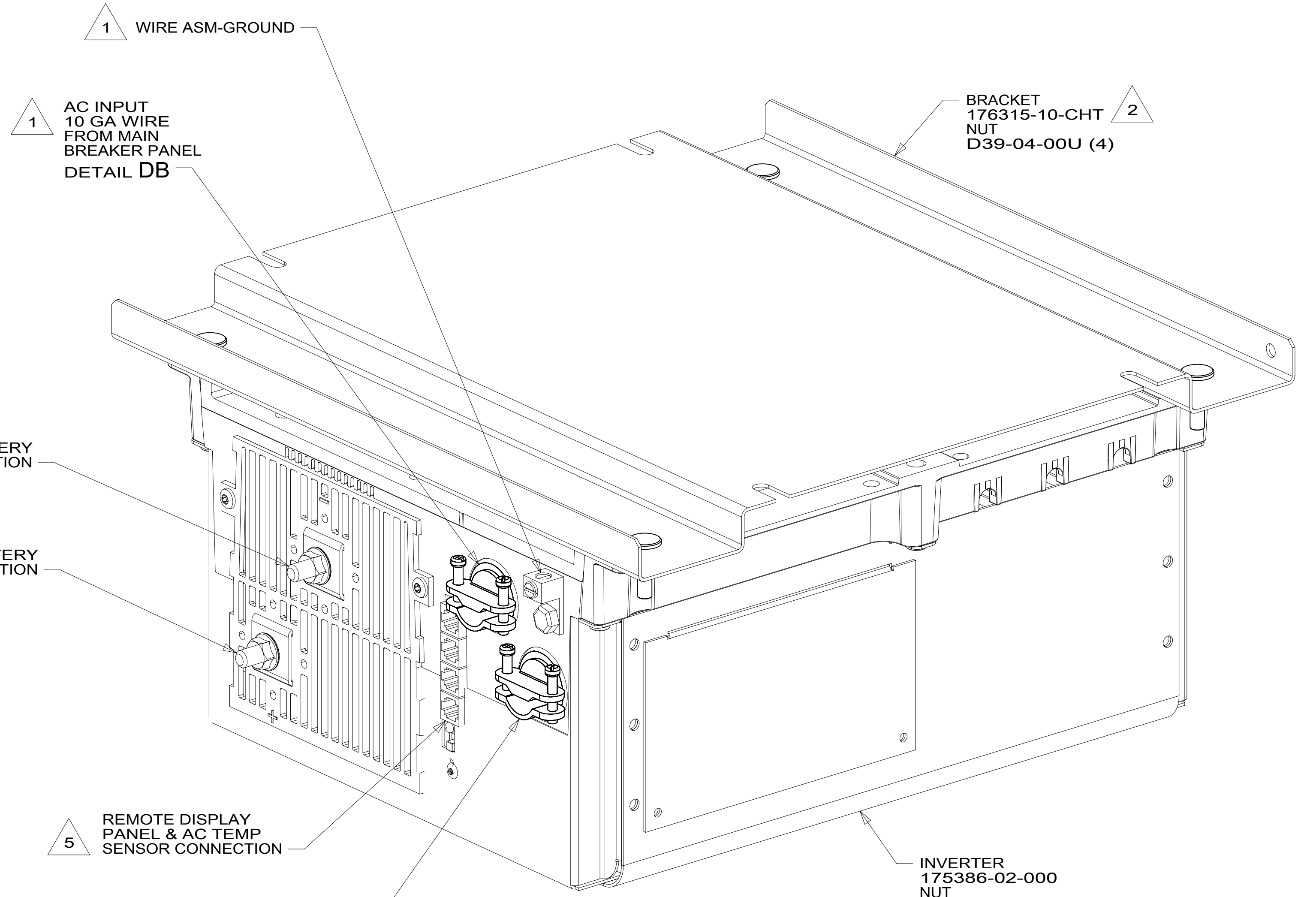
1B1 265

FIRST USED	
14 L38R	
DO NOT SCALE DRAWING	
TITLE: WIRING INSTL-BODY, 110V	
SHEET 3	PART NO 186061 REV

186061



DETAIL DB



DETAIL DA

- NOTES:
- 6 DO NOT USE POWER/AIR TOOL TO INSTALL NUT. TORQUE TO 10-12 FT LBS. DO NOT USE A HAMMER.
 - 5 CABLES PART OF WIRE ASM-COACH.
 - 4 SEE INVERTER/CHARGER OWNER'S MANUAL FOR ADDITIONAL INFORMATION.
 - 3 SEE WIRING INSTL-CHASSIS FOR ADDITIONAL INFORMATION.
 - 2 BRACKET IS LOCATED BY HOLES ON BRACKET.
 - 1 SEE LOAD CENTER/ATS ASM FOR ADDITIONAL INFORMATION.

265 CODES/STANDARDS-CSA/CMVSS

1B1 CODES/STANDARDS USA

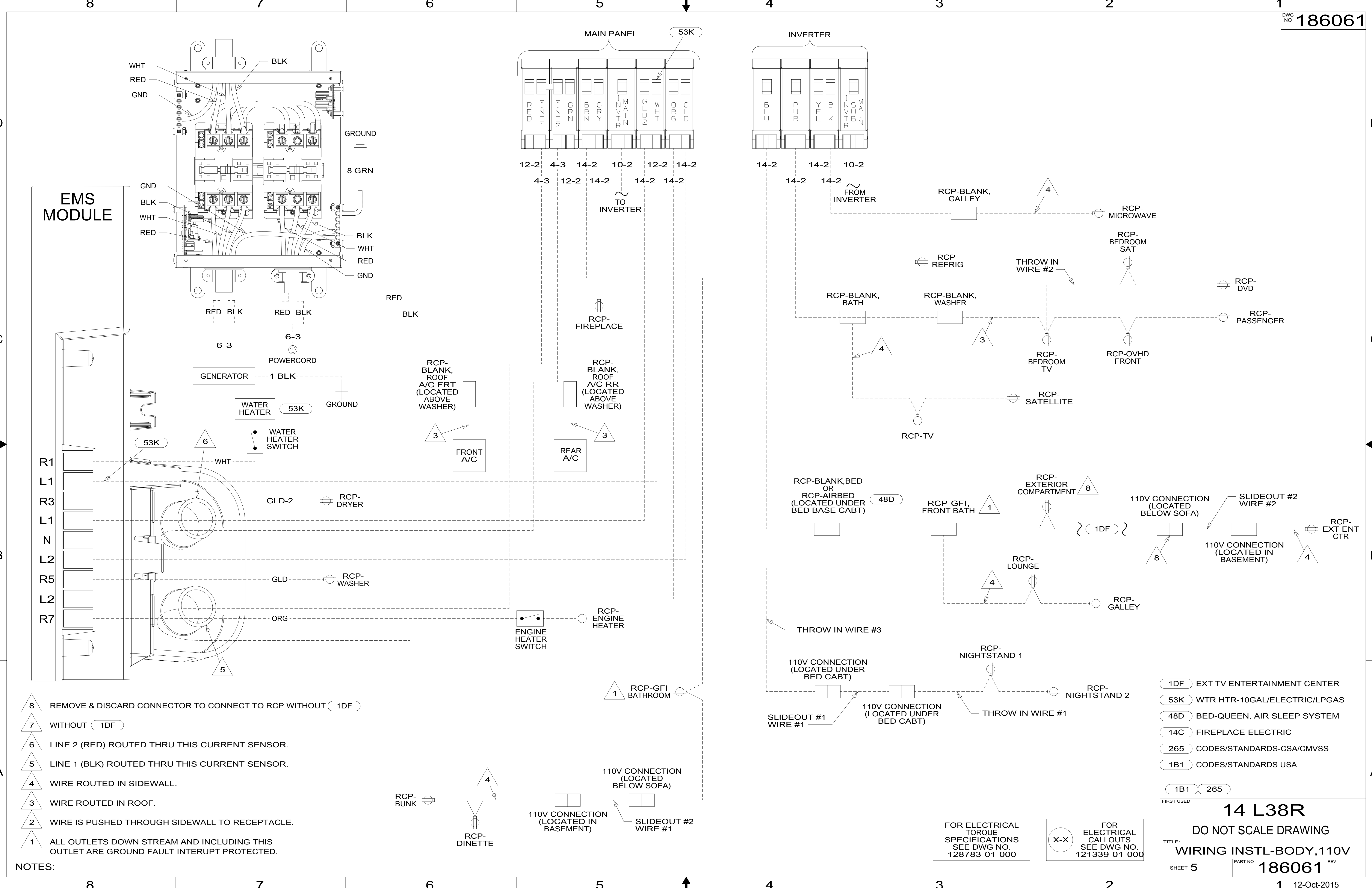
1B1 265

FOR ELECTRICAL TORQUE SPECIFICATIONS SEE DWG NO. 128783-01-000

X-X FOR ELECTRICAL CALLOUTS SEE DWG NO. 121339-01-000

FIRST USED	
14 L38R	
DO NOT SCALE DRAWING	
TITLE: WIRING INSTL-BODY, 110V	
SHEET 4	PART NO 186061 REV
1 12-Oct-2015	

186061



- NOTES:
- 8 REMOVE & DISCARD CONNECTOR TO CONNECT TO RCP WITHOUT 1DF
 - 7 WITHOUT 1DF
 - 6 LINE 2 (RED) ROUTED THRU THIS CURRENT SENSOR.
 - 5 LINE 1 (BLK) ROUTED THRU THIS CURRENT SENSOR.
 - 4 WIRE ROUTED IN SIDEWALL.
 - 3 WIRE ROUTED IN ROOF.
 - 2 WIRE IS PUSHED THROUGH SIDEWALL TO RECEPTACLE.
 - 1 ALL OUTLETS DOWN STREAM AND INCLUDING THIS OUTLET ARE GROUND FAULT INTERUPT PROTECTED.

- 1DF EXT TV ENTERTAINMENT CENTER
- 53K WTR HTR-10GAL/ELECTRIC/LPGAS
- 48D BED-QUEEN, AIR SLEEP SYSTEM
- 14C FIREPLACE-ELECTRIC
- 265 CODES/STANDARDS-CSA/CMVSS
- 1B1 CODES/STANDARDS USA

FOR ELECTRICAL TORQUE SPECIFICATIONS SEE DWG NO. 128783-01-000

FOR ELECTRICAL CALLOUTS SEE DWG NO. 121339-01-000

FIRST USED

14 L38R

DO NOT SCALE DRAWING

TITLE: **WIRING INSTL-BODY, 110V**

SHEET 5 PART NO **186061** REV

12-Oct-2015

186061 A