



DANGER

Danger of electrical shock, burns or death. Always remove all power sources before attempting any repair, service or diagnostic work. Power can be present from shore power, generator, inverter or battery. All power sources must be disabled and secured before performing any service.



CAUTION

If you lack the skills, tools or equipment to perform diagnostic or repair work leave such work to an authorized Winnebago Industries dealer or other qualified shop.

DRAWING NO.	MODEL
185668-01	L34T
185668-02	L38R

RELEASE	REV/DATE	DWG NO	185668
REV ZONE	REVISION RECORD	DATE	DTR-ORIG

		L34T	L38R	
RED	1B1	136135-07-070	136135-07-081	
	265	136136-07-070	136136-07-081	
GRN	1B1	136135-08-070	136135-08-081	
	265	136136-08-070	136136-08-081	
YEL	1B1	136131-05-069	136131-05-080	
	265	136134-05-069	136134-05-080	
GLD	1B1	136131-10-069	136131-10-083	
	265	136134-10-069	136134-10-083	
GLD-2	1B1	136131-20-069	136131-20-065	
	265	136134-20-069	136134-20-065	
BLU	1B1	136131-02-088	136131-02-112	
	265	136134-02-088	136134-02-112	
BRN	1B1	136131-03-115	136131-03-200	
	265	136134-03-115	136134-03-200	
PUR	1B1	136131-04-210	136131-04-120	
	265	136134-04-210	136134-04-120	
WHT	1B1	136135-09-140	136135-09-118	53K
	265	136136-09-140	136136-09-118	53K

		L34T	L38R	
ORG	1B1	136131-16-120	136131-16-101	
	265	136134-16-120	136134-16-101	
BLK	1B1	136131-06-069	136131-06-071	
	265	136134-06-069	136134-06-071	
GRY	1B1	136131-15-094	136131-15-063	14C
	265	136134-15-094	136134-15-063	
INVERTER CHARGER MAIN	1B1	136137-01-035	136137-01-040	
	265	136138-01-035	136138-01-040	
INVERTER CHARGER SUB MAIN	1B1	136137-01-035	136137-01-040	
	265	136138-01-035	136138-01-040	
CABLE ASM-MAIN,6 AWG		176841-01-028	176841-01-034	
MAIN GROUND		136145-01-030	136145-01-025	
ATS GROUND		136145-01-020	136145-01-020	
INVERTER GROUND		136145-04-022	136145-04-022	
GENERATOR CABLE ASM		136148-02-096	136148-02-109	

- 53K WTR HTR-10GAL/ELECTRIC/LPGAS
- 14C FIREPLACE-ELECTRIC
- 265 CODES/STANDARDS-CSA/CMVSS
- 1B1 CODES/STANDARDS USA

1B1 265

WINNEBAGO COPYRIGHT 2014 WINNEBAGO INDUSTRIES, INC.

ALL DIMENSIONS ARE IN MILLIMETERS

14 L-SERIES

UNSPECIFIED TOLERANCES ARE:
 WHOLE DIM (X) : 3
 ONE-PLACE (X.X) : 1.5
 TWO-PLACE (X.XX) : 0.50
 ANGLE : 1'

THIRD ANGLE PROJECTION

DO NOT SCALE DRAWING REFER TO ES0018 FOR FASTENER TIGHTENING GUIDELINES

TITLE: **LOAD CENTER/ATS ASM**

SHEET 1 OF 4 PART NO **185668** REV

REF: 1 06-May-2015

SEE DETAIL BA FOR CONNECTOR INSTALLATION.

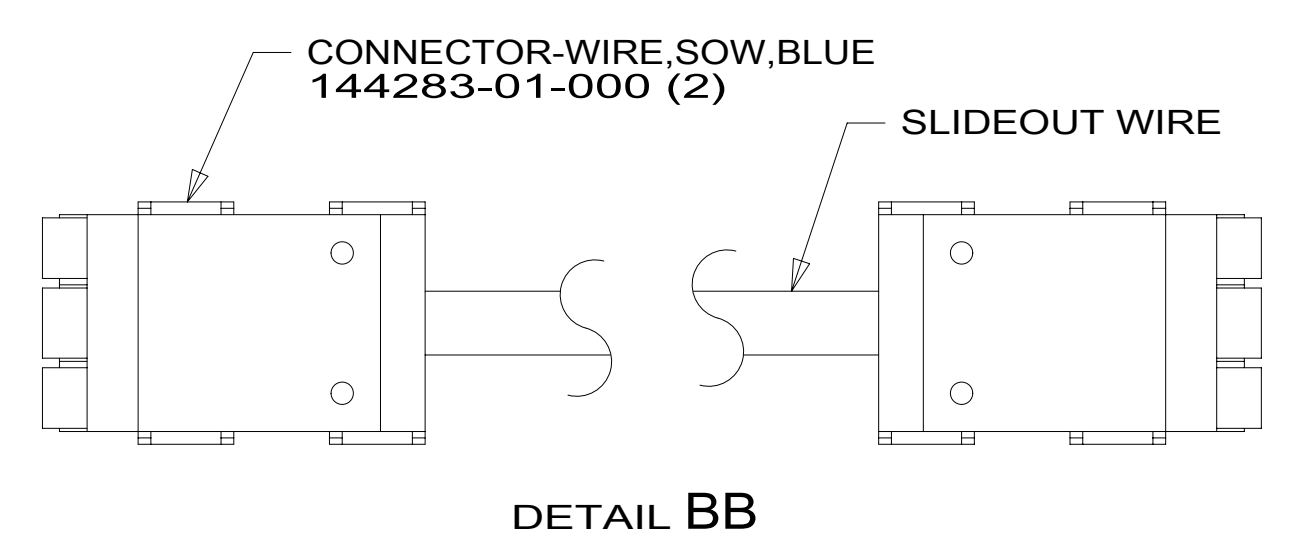
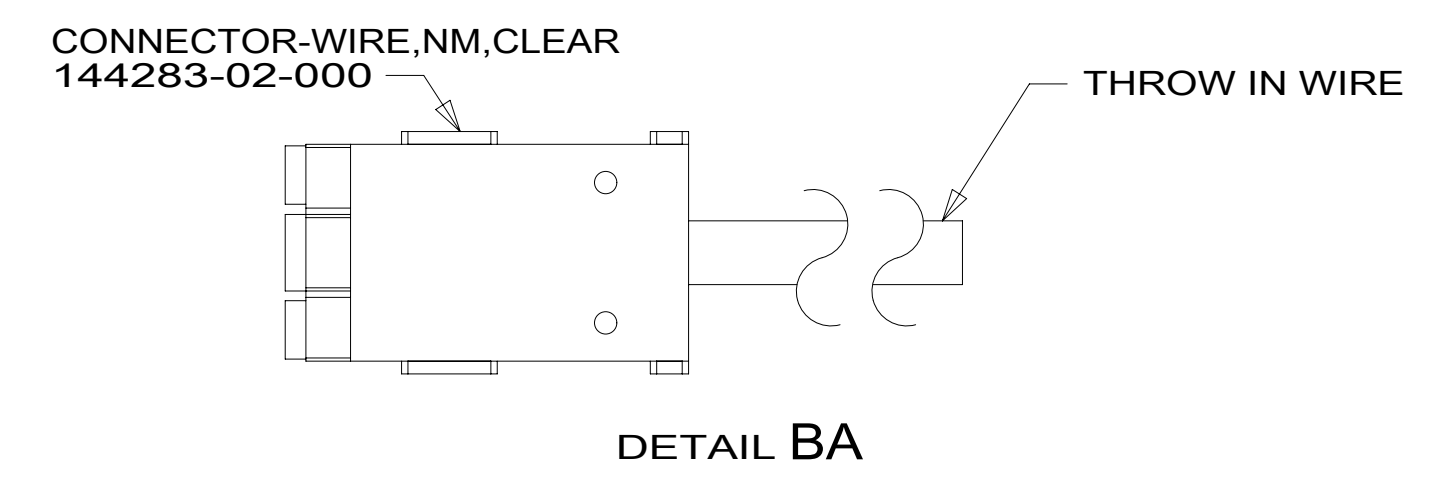
FOR ELECTRICAL TORQUE SPECIFICATIONS SEE DWG NO. 128783-01-000

FOR ELECTRICAL CALLOUTS SEE DWG NO. 121339-01-000

* 185668 *

		L34T	L38R
THROW IN WIRE #1	1B1	136131-05-025	136131-02-055
	265	136134-05-025	136134-02-055
THROW IN WIRE #2	1B1		136131-04-026
	265		136134-04-026
THROW IN WIRE #3	1B1	136131-02-064	136131-02-003
	265	136134-02-064	136134-02-003
THROW IN WIRE #4	1B1	136131-10-045	
	265	136134-10-045	
THROW IN WIRE #5	1B1	136131-20-045	
	265	136134-20-045	
THROW IN WIRE #6	1B1	136131-04-030	
	265	136134-04-030	
THROW IN WIRE #7	1B1	136131-02-032	
	265	136134-02-032	
THROW IN WIRE #8	1B1		
	265		
THROW IN WIRE #9	1B1		
	265		
THROW IN WIRE #10	1B1		
	265		
THROW IN WIRE #11	1B1		
	265		
THROW IN WIRE #12	1B1		
	265		

	L34T	L38R
SLIDEOUT #1 WIRE #1	136151-04-032	136151-02-014
SLIDEOUT #1 WIRE #2		
SLIDEOUT #1 WIRE #3		
SLIDEOUT #1 WIRE #4		
SLIDEOUT #2 WIRE #1	136151-05-028	136151-03-028
SLIDEOUT #2 WIRE #2	136151-02-028	136151-02-028
SLIDEOUT #2 WIRE #3	136151-06-028	
SLIDEOUT #2 WIRE #4	136151-10-028	
SLIDEOUT #2 WIRE #5	136151-20-028	



SEE DETAIL BB FOR CONNECTOR INSTALLATION.
 SEE DETAIL BA FOR CONNECTOR INSTALLATION.
 NOTES:

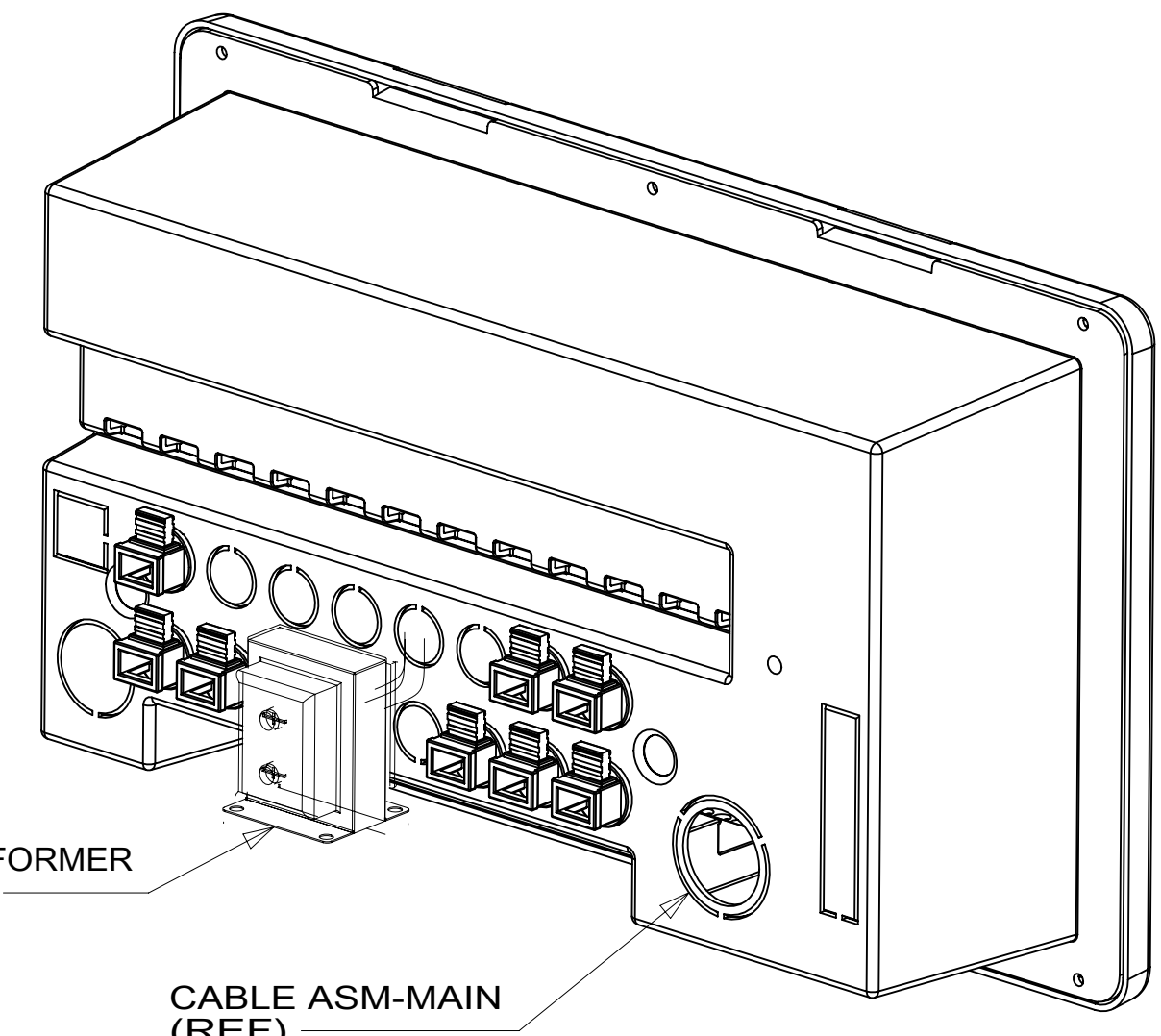
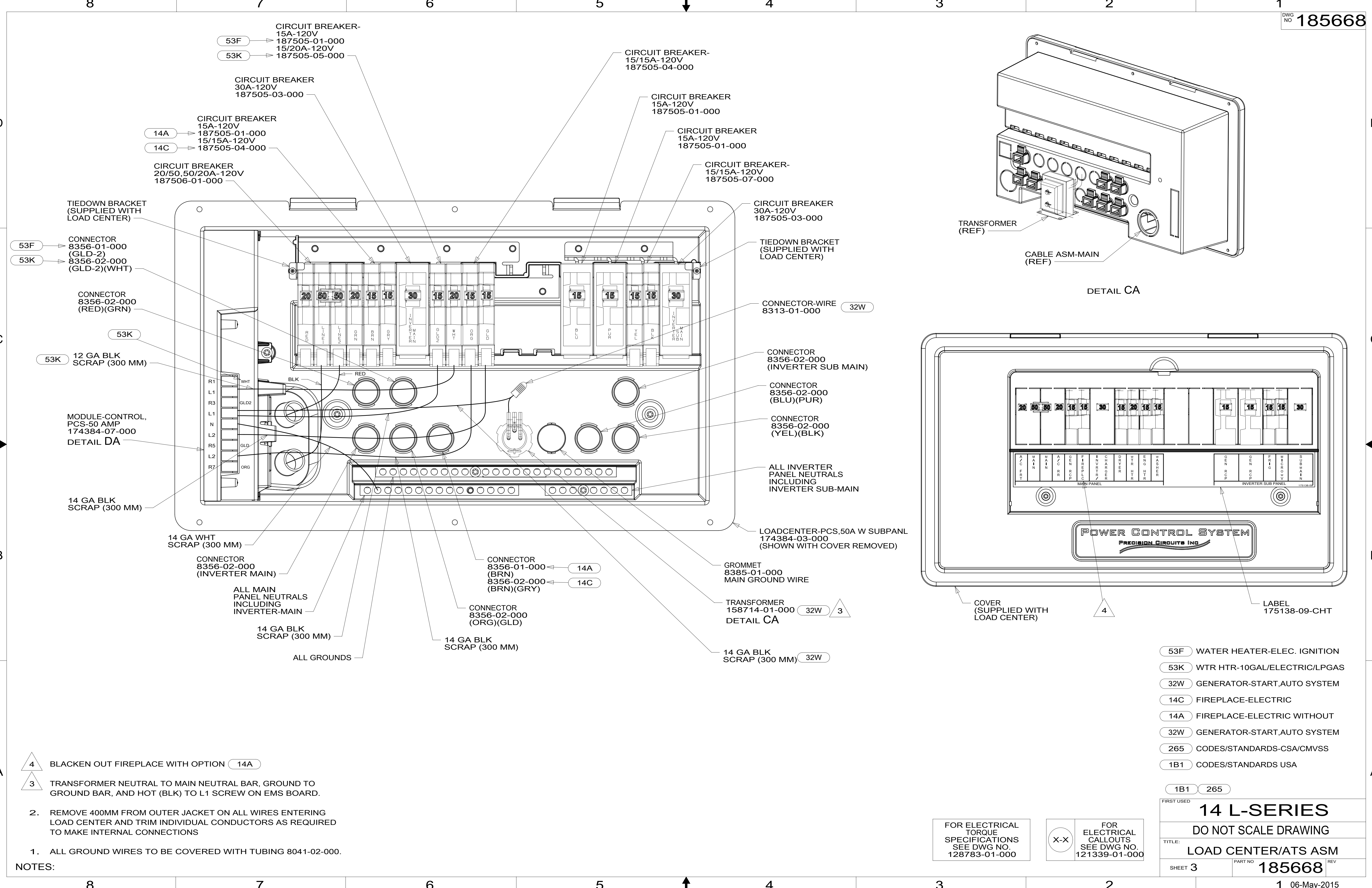
- EXT TV ENTERTAINMENT CENTER
- CODES/STANDARDS-CSA/CMVSS
- CODES/STANDARDS-USA

FIRST USED	14 L-SERIES
TITLE:	DO NOT SCALE DRAWING
SHEET 2	LOAD CENTER/ATS ASM
PART NO	185668
REV	

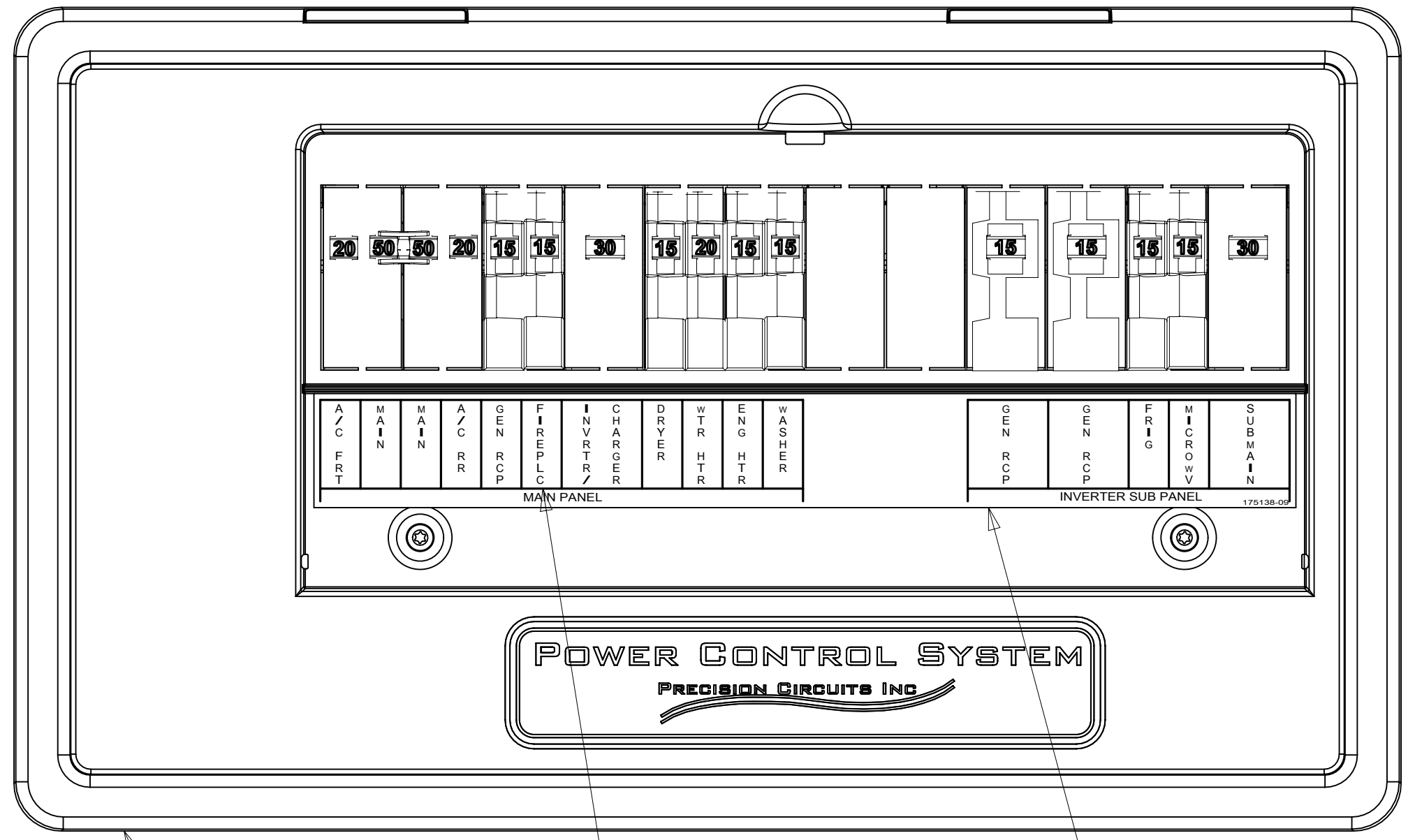
FOR ELECTRICAL TORQUE SPECIFICATIONS SEE DWG NO. 128783-01-000

FOR ELECTRICAL CALLOUTS SEE DWG NO. 121339-01-000

* 185668 *



DETAIL CA



POWER CONTROL SYSTEM
PRECISION CIRCUITS INC

- 53F WATER HEATER-ELEC. IGNITION
- 53K WTR HTR-10GAL/ELECTRIC/LPGAS
- 32W GENERATOR-START,AUTO SYSTEM
- 14C FIREPLACE-ELECTRIC
- 14A FIREPLACE-ELECTRIC WITHOUT
- 32W GENERATOR-START,AUTO SYSTEM
- 265 CODES/STANDARDS-CSA/CMVSS
- 1B1 CODES/STANDARDS USA

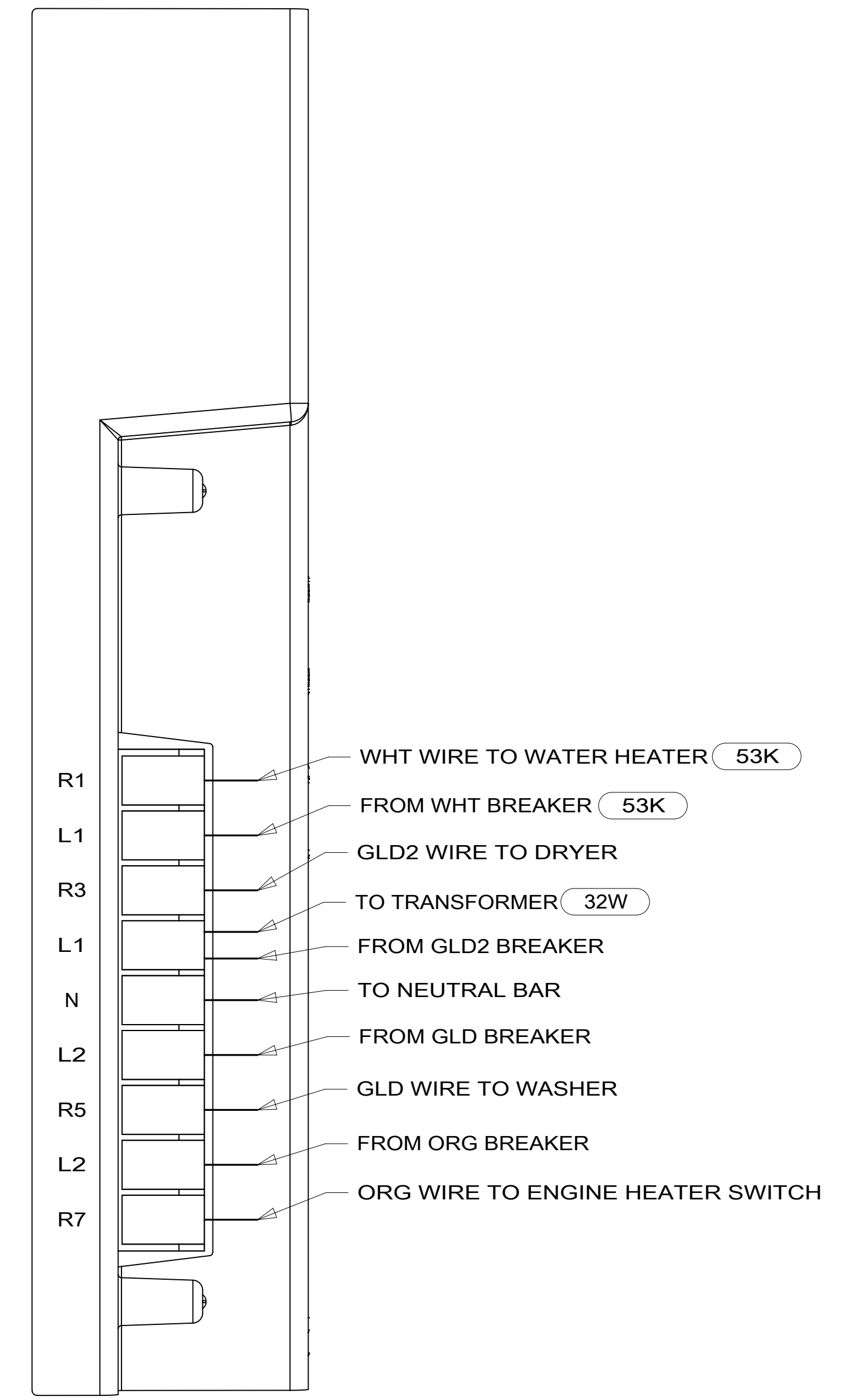
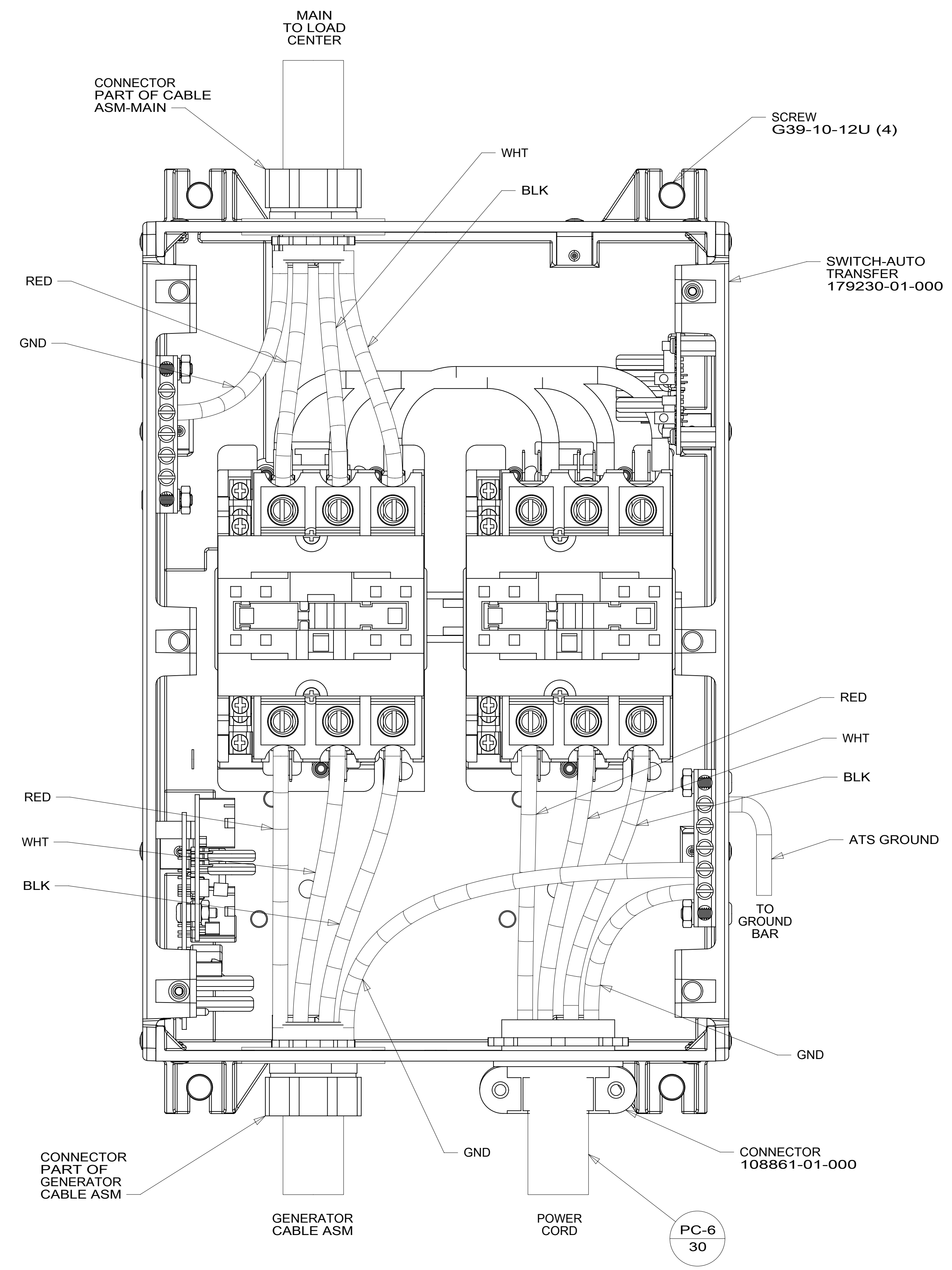
1B1	265
FIRST USED	
14 L-SERIES	
DO NOT SCALE DRAWING	
TITLE: LOAD CENTER/ATS ASM	
SHEET 3	PART NO. 185668 REV

FOR ELECTRICAL TORQUE SPECIFICATIONS SEE DWG NO. 128783-01-000

FOR ELECTRICAL CALLOUTS SEE DWG NO. 121339-01-000

- NOTES:
1. ALL GROUND WIRES TO BE COVERED WITH TUBING 8041-02-000.
 2. REMOVE 400MM FROM OUTER JACKET ON ALL WIRES ENTERING LOAD CENTER AND TRIM INDIVIDUAL CONDUCTORS AS REQUIRED TO MAKE INTERNAL CONNECTIONS
 3. TRANSFORMER NEUTRAL TO MAIN NEUTRAL BAR, GROUND TO GROUND BAR, AND HOT (BLK) TO L1 SCREW ON EMS BOARD.
 4. BLACKEN OUT FIREPLACE WITH OPTION 14A

* 185668 A *



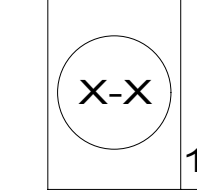
DETAIL DA

- 32W GENERATOR-START,AUTO SYSTEM
- 53K WTR HTR-10GAL/ELECTRIC/LPGAS
- 265 CODES/STANDARDS-CSA/CMVSS
- 1B1 CODES/STANDARDS USA

FIRST USED	
14 L-SERIES	
DO NOT SCALE DRAWING	
TITLE: LOAD CENTER/ATS ASM	
SHEET 4	PART NO. 185668 REV
1 06-May-2015	

FOR ELECTRICAL TORQUE SPECIFICATIONS SEE DWG NO. 128783-01-000

FOR ELECTRICAL CALLOUTS SEE DWG NO. 121339-01-000



* 185668 A *