



**DANGER**

**Danger of electrical shock, burns or death.** Always remove all power sources before attempting any repair, service or diagnostic work. Power can be present from shore power, generator, inverter or battery. All power sources must be disabled and secured before performing any service.

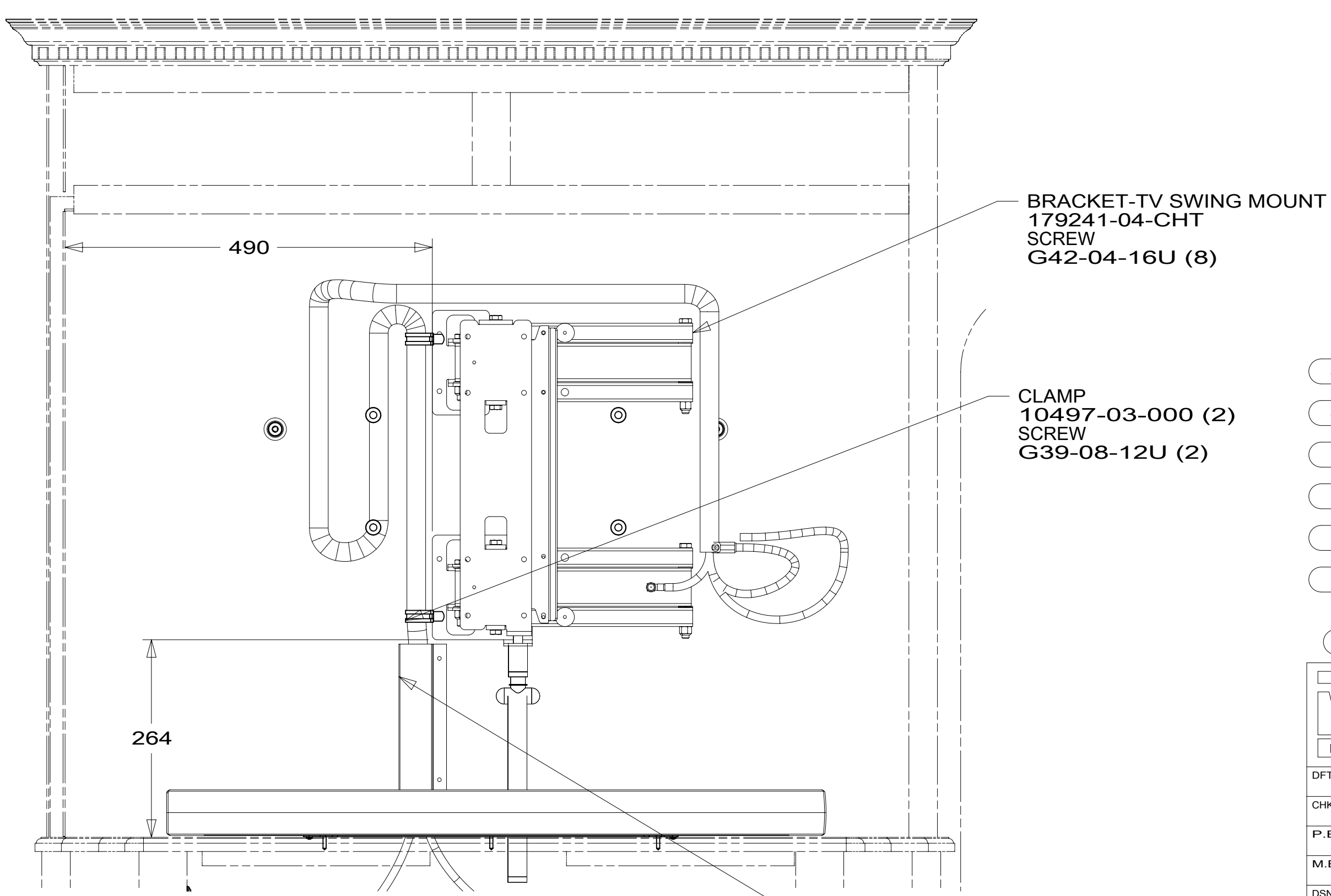
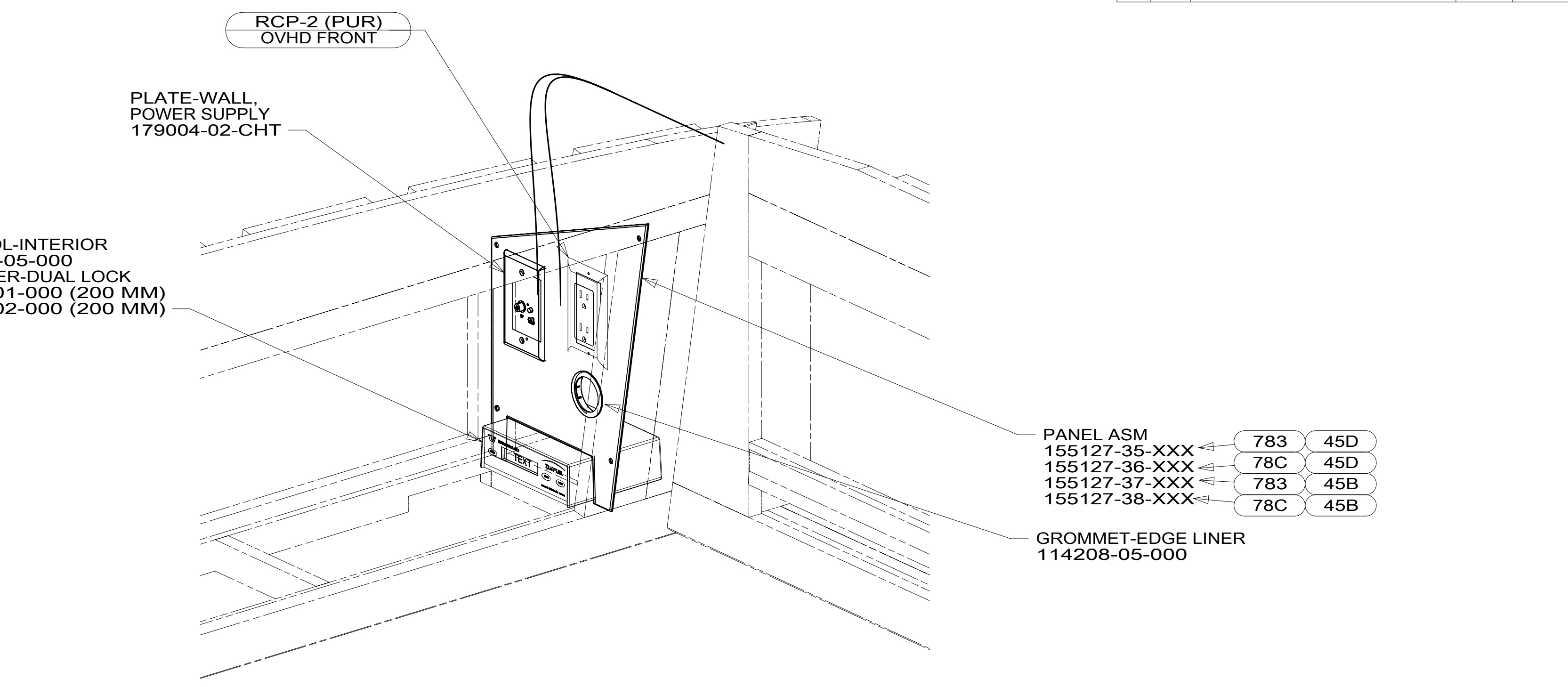
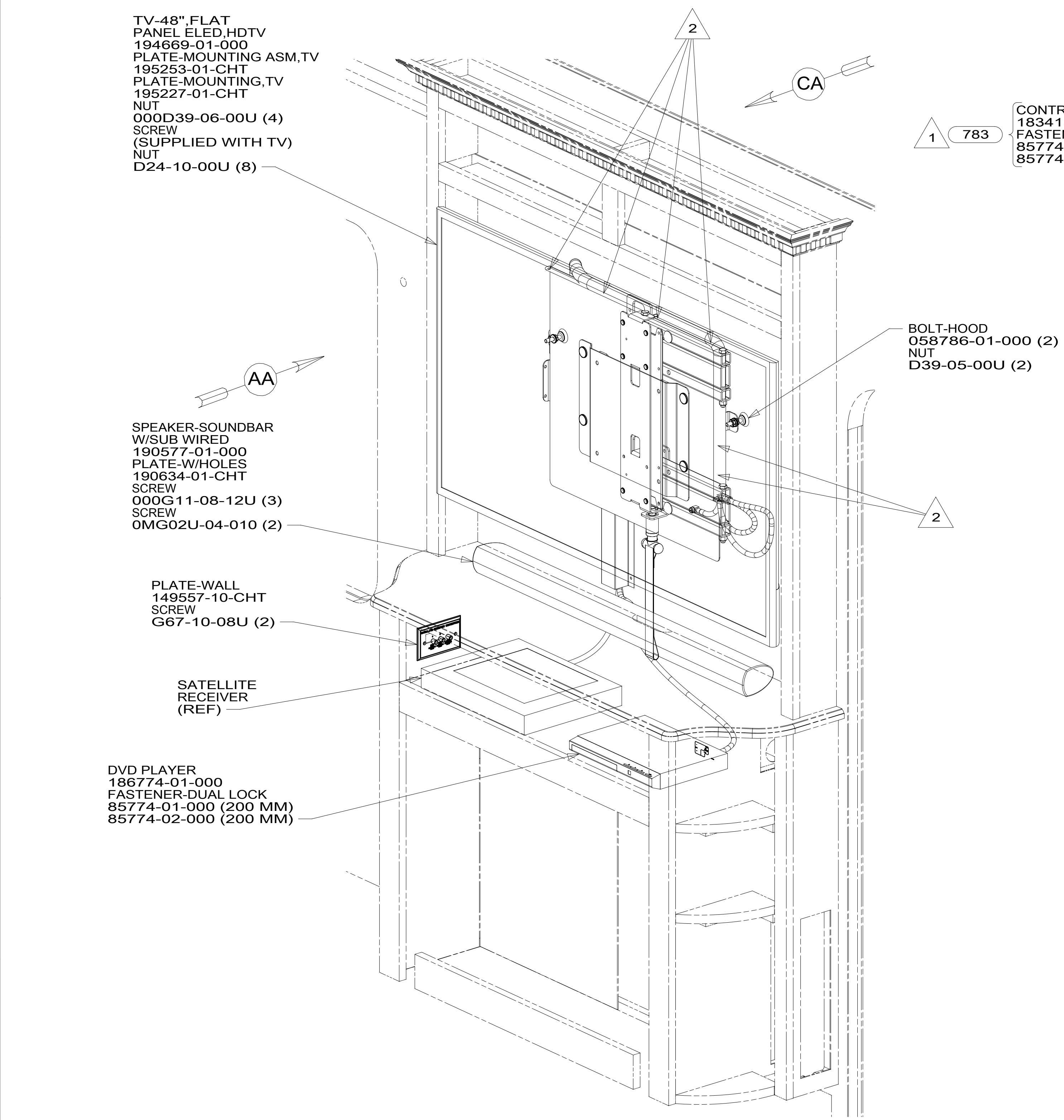


**CAUTION**

If you lack the skills, tools or equipment to perform diagnostic or repair work leave such work to an authorized Winnebago Industries dealer or other qualified shop.

8	7	6	5	4	3	2	1
DRAWING NO.	MODEL	SHEET					
185626-01	L34T	1,2,3					
185626-02	L38R	4,5,6					

RELEASE	REV/DATE	DWG NO	185626
REV ZONE	REVISION RECORD	DATE	DTR-ORIG



- 45D LOFT BED - WITHOUT
- 45B LOFT BED
- 78C SATELLITE SYSTEM READY
- 783 SATELLITE HD TV SYSTEM AUTOC
- 265 CODES/STANDARDS-CSA/CMVSS
- 1B1 CODES/STANDARDS USA

**WINNEBAGO** COPYRIGHT 2014 WINNEBAGO INDUSTRIES, INC.

DTR	ORIG. DATE
CHKR	ALL DIMENSIONS ARE IN MILLIMETERS
P.E.	FIRST USED
M.E.	
DSNR	<b>14 L-SERIES</b>
UNSPECIFIED TOLERANCES ARE:	MATERIAL:
WHOLE DIM (X) :	
ONE-PLACE (X.X) :	
TWO-PLACE (X.XX) :	
ANGLE :	
THIRD ANGLE PROJECTION	
DO NOT SCALE DRAWING	REFER TO ES0018 FOR FASTENER TIGHTENING GUIDELINES
TITLE: <b>WIRING INSTL-TV/DVD</b>	
SHEET <b>1</b> OF <b>6</b>	PART NO <b>185626</b> REV

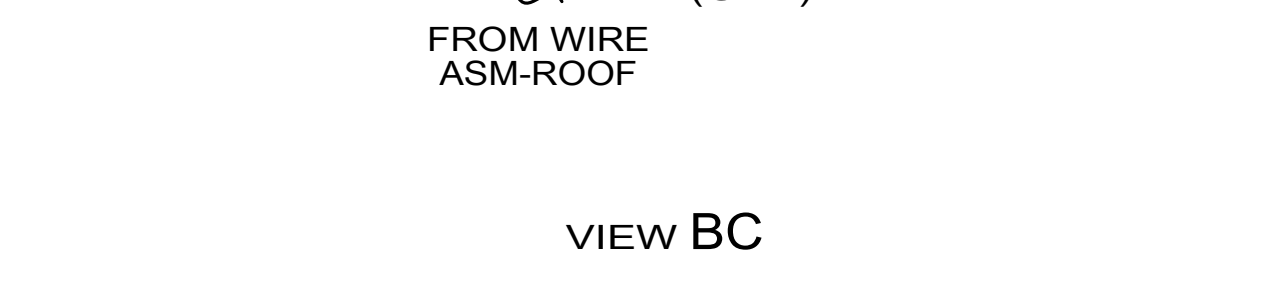
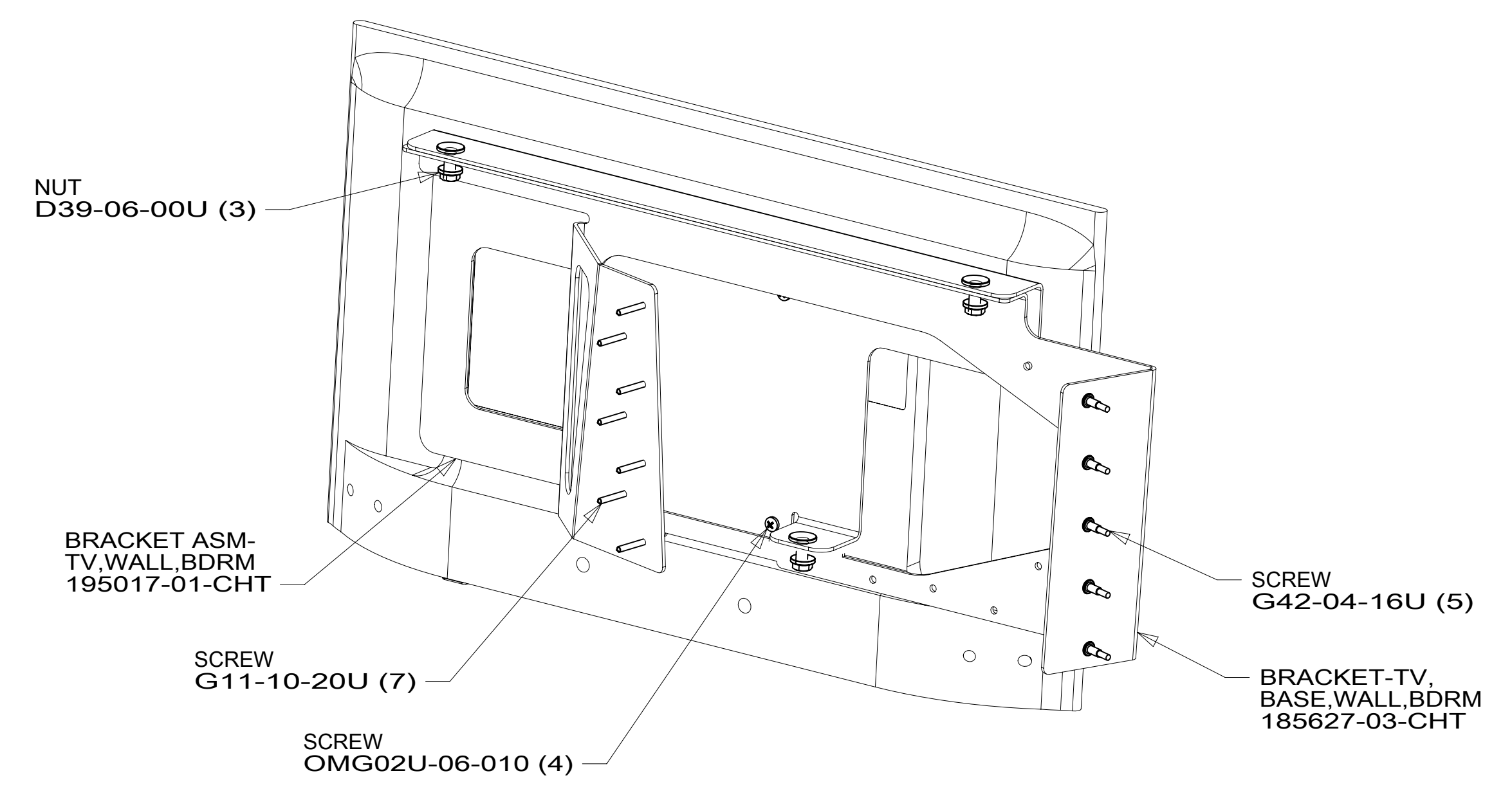
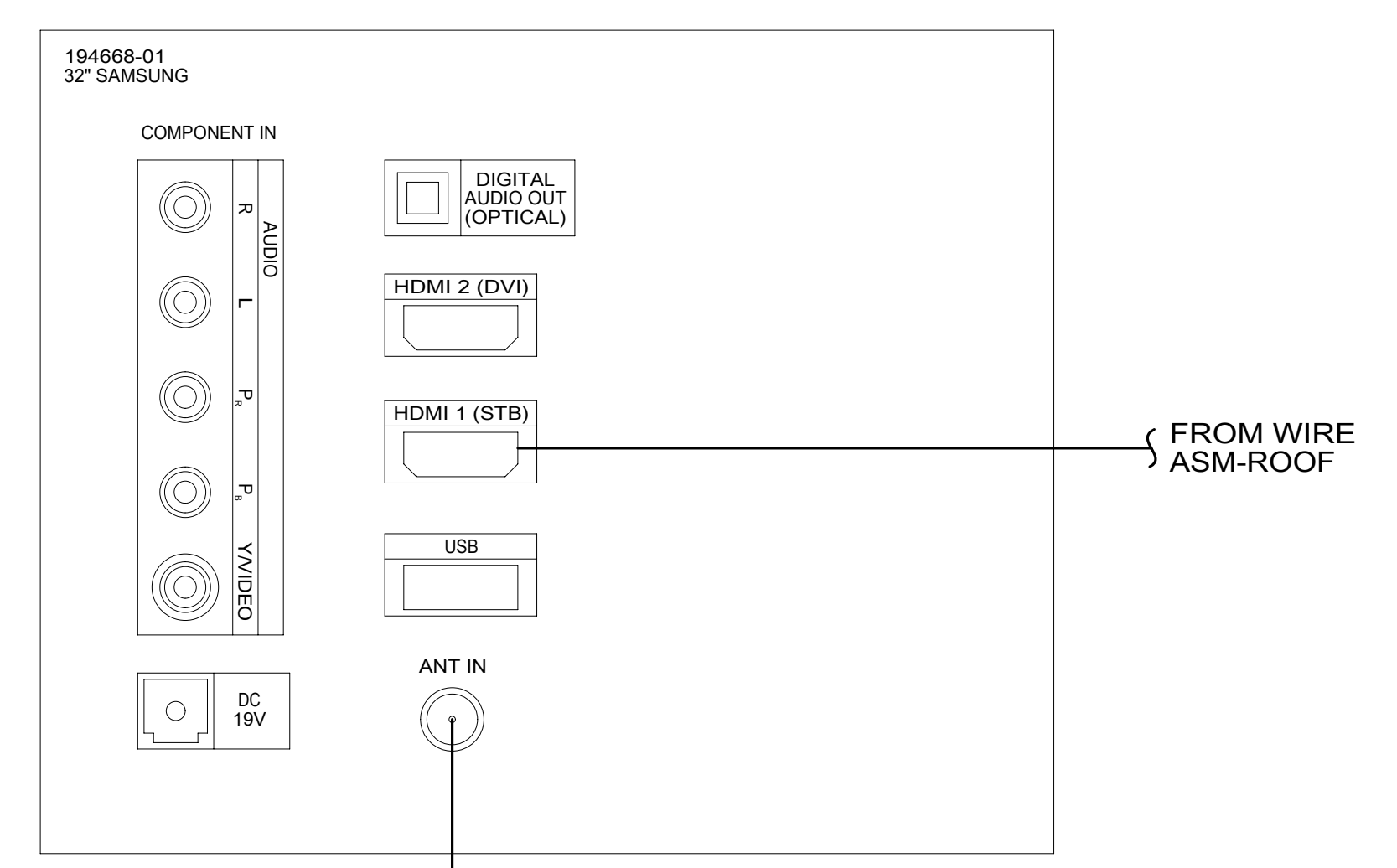
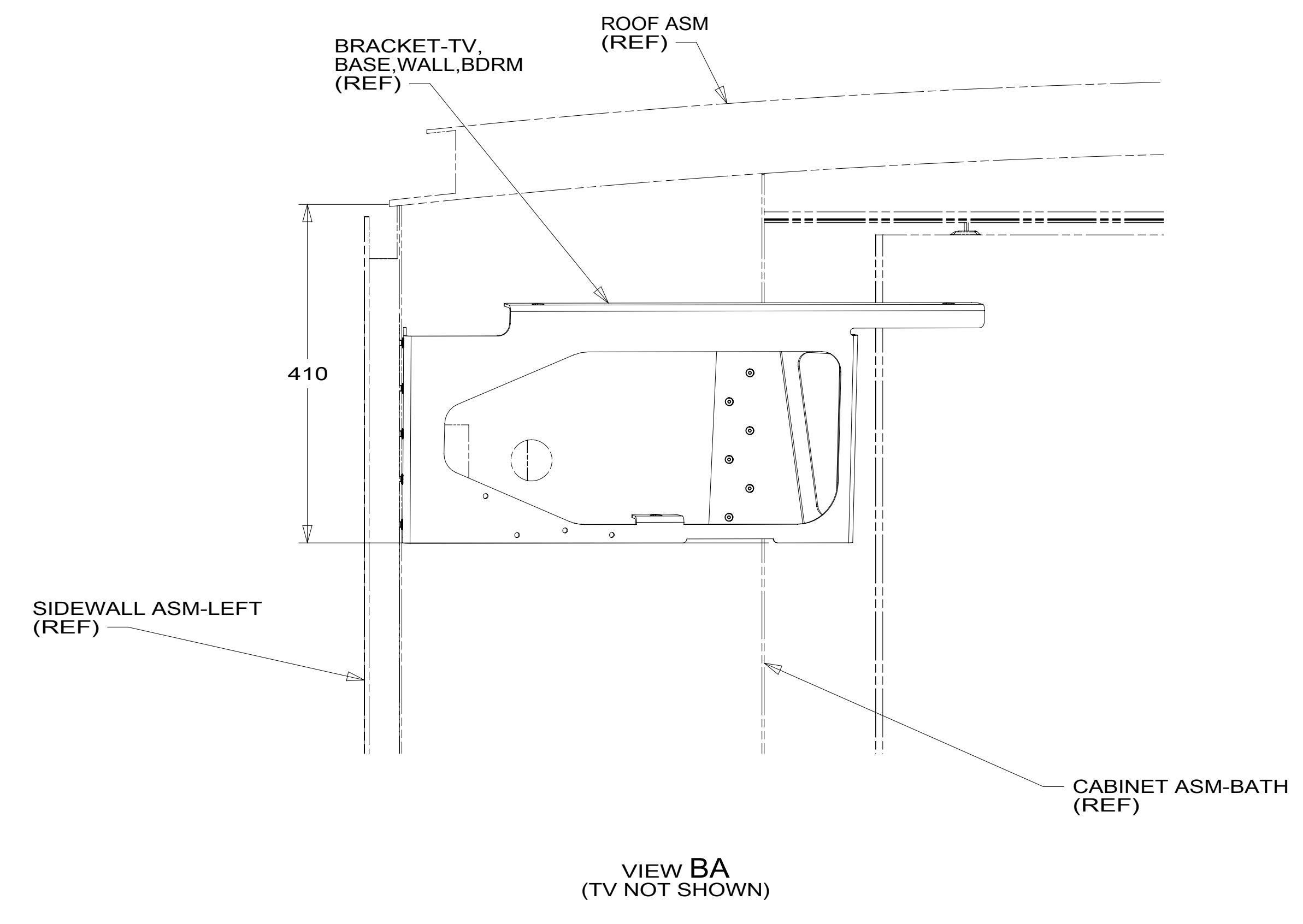
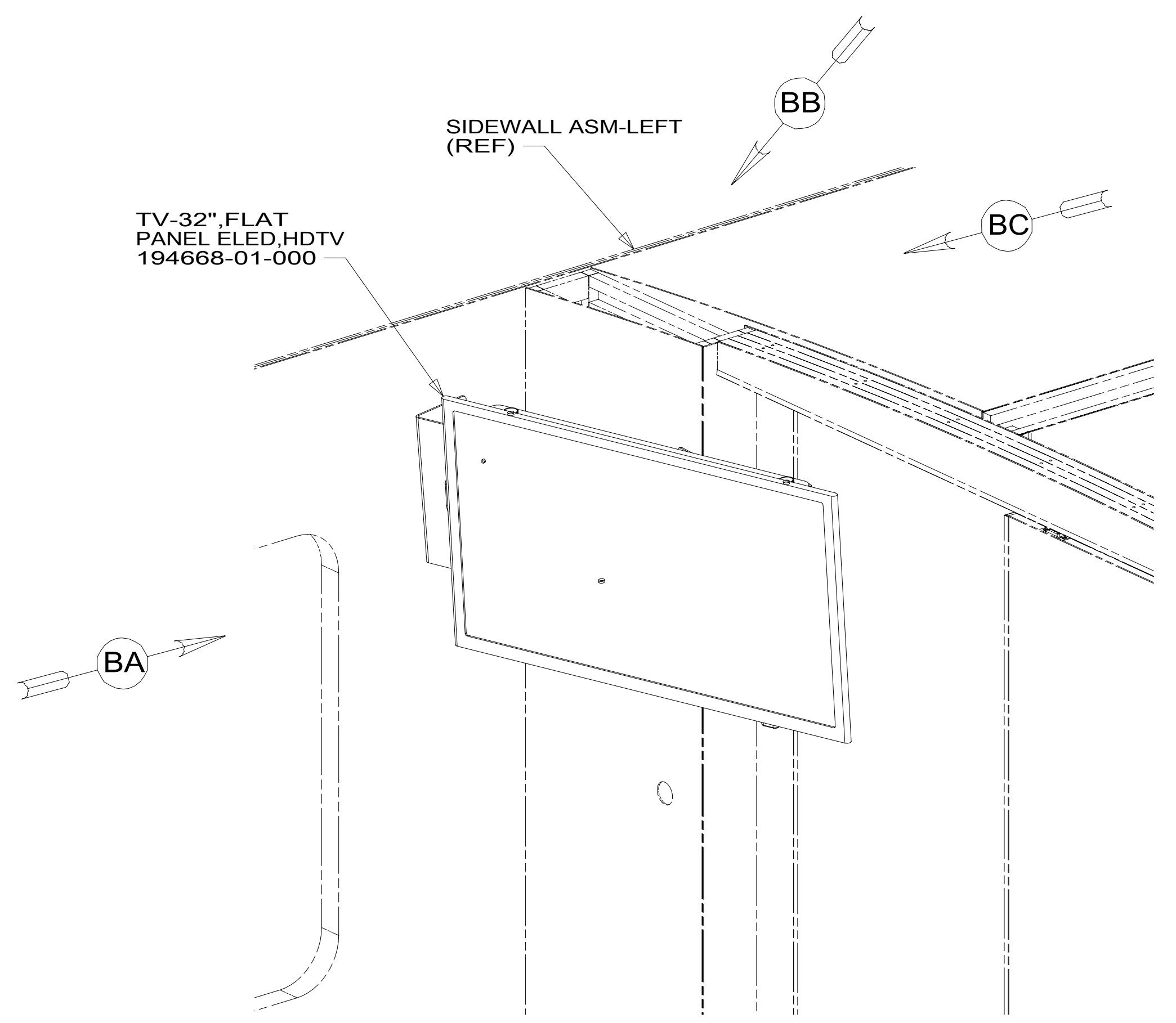
NOTES:

2 USE TIE-WIRE 8343-01-000 TO SUPPORT WIRE HERE.

1 INTERIOR CONTROL CONNECTS TO SATELLITE DATA CABLE. SEE ROOF ASM FOR ADDITIONAL INFORMATION.

FOR ELECTRICAL TORQUE SPECIFICATIONS SEE DWG NO. 128783-01-000

FOR ELECTRICAL CALLOUTS SEE DWG NO. 121339-01-000



VIEW BB

VIEW BC

265 CODES/STANDARDS-CSA/CMVSS  
 1B1 CODES/STANDARDS USA

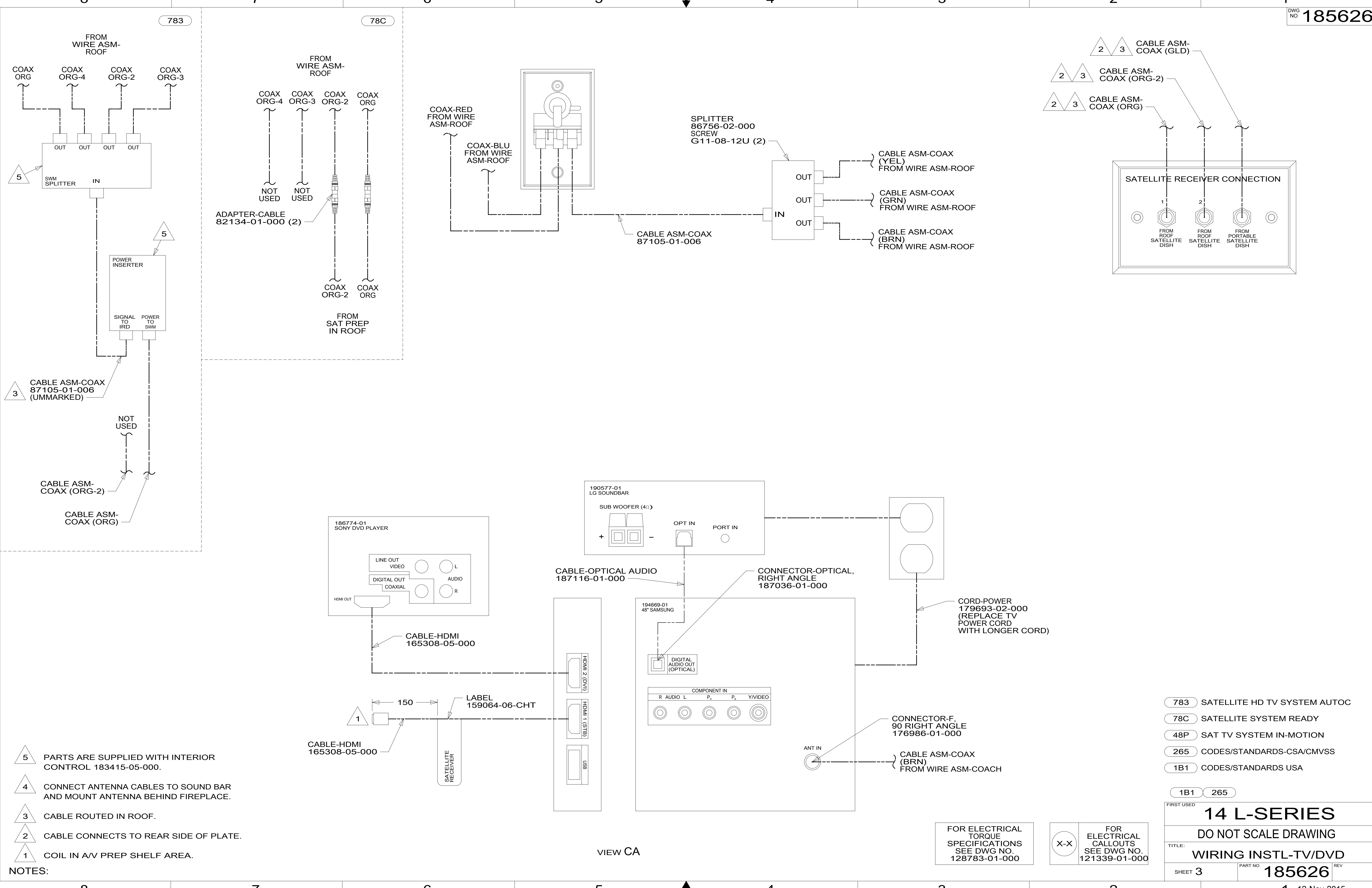
1B1 265

FIRST USED	
<b>14 L-SERIES</b>	
DO NOT SCALE DRAWING	
TITLE: <b>WIRING INSTL-TV/DVD</b>	
SHEET 2	PART NO <b>185626</b> REV
1 12-Nov-2015	

FOR ELECTRICAL TORQUE SPECIFICATIONS SEE DWG NO. 128783-01-000

FOR ELECTRICAL CALLOUTS SEE DWG NO. 121339-01-000

\*185626\*



- NOTES:
- 5 PARTS ARE SUPPLIED WITH INTERIOR CONTROL 183415-05-000.
  - 4 CONNECT ANTENNA CABLES TO SOUND BAR AND MOUNT ANTENNA BEHIND FIREPLACE.
  - 3 CABLE ROUTED IN ROOF.
  - 2 CABLE CONNECTS TO REAR SIDE OF PLATE.
  - 1 COIL IN AV PREP SHELF AREA.

- 783 SATELLITE HD TV SYSTEM AUTOC
- 78C SATELLITE SYSTEM READY
- 48P SAT TV SYSTEM IN-MOTION
- 265 CODES/STANDARDS-CSA/CMVSS
- 1B1 CODES/STANDARDS USA

1B1 265

FIRST USED

### 14 L-SERIES

DO NOT SCALE DRAWING

TITLE: WIRING INSTL-TV/DVD

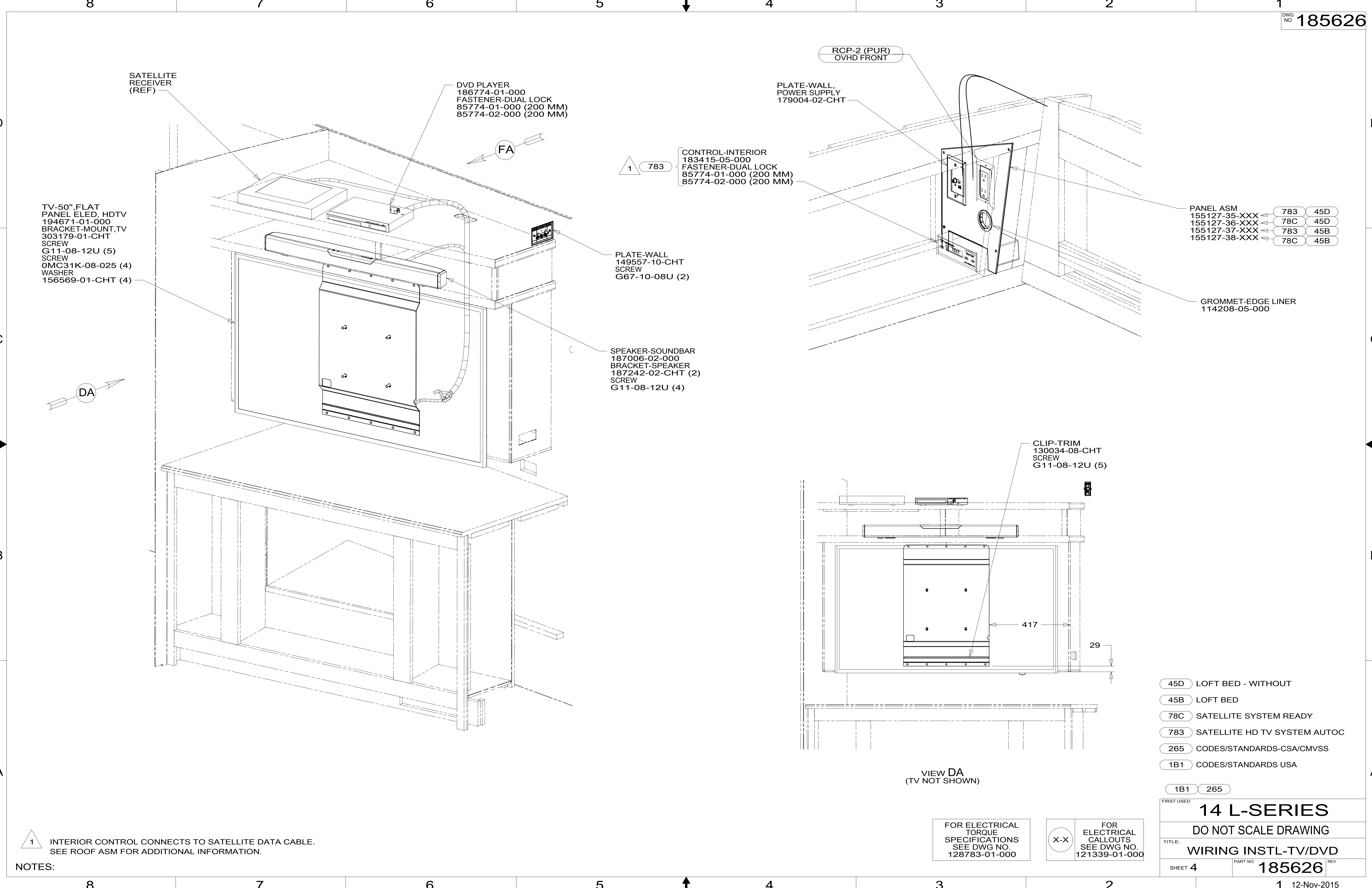
SHEET 3 PART NO 185626 REV

12-Nov-2015

FOR ELECTRICAL TORQUE SPECIFICATIONS SEE DWG NO. 128783-01-000

FOR ELECTRICAL CALLOUTS SEE DWG NO. 121339-01-000

VIEW CA



TV-50" FLAT  
 PANEL ELED, HDTV  
 194671-01-000  
 BRACKET-MOUNT,TV  
 303179-01-CHT  
 SCREW  
 G11-08-12U (5)  
 SCREW  
 OMC31K-08-025 (4)  
 WASHER  
 156569-01-CHT (4)

DVD PLAYER  
 186774-01-000  
 FASTENER-DUAL LOCK  
 85774-01-000 (200 MM)  
 85774-02-000 (200 MM)

RCP-2 (PUR)  
 OVHD FRONT  
 PLATE-WALL,  
 POWER SUPPLY  
 179004-02-CHT

CONTROL-INTERIOR  
 183415-05-000  
 FASTENER-DUAL LOCK  
 85774-01-000 (200 MM)  
 85774-02-000 (200 MM)

PANEL ASM  
 155127-35-XXX 783 45D  
 155127-36-XXX 78C 45D  
 155127-37-XXX 783 45B  
 155127-38-XXX 78C 45B

PLATE-WALL  
 149557-10-CHT  
 SCREW  
 G67-10-08U (2)

SPEAKER-SOUNDBAR  
 187006-02-000  
 BRACKET-SPEAKER  
 187242-02-CHT (2)  
 SCREW  
 G11-08-12U (4)

GROMMET-EDGE LINER  
 114208-05-000

CLIP-TRIM  
 130034-08-CHT  
 SCREW  
 G11-08-12U (5)

VIEW DA  
 (TV NOT SHOWN)

1 INTERIOR CONTROL CONNECTS TO SATELLITE DATA CABLE.  
 SEE ROOF ASM FOR ADDITIONAL INFORMATION.

FOR ELECTRICAL  
 TORQUE  
 SPECIFICATIONS  
 SEE DWG NO.  
 128783-01-000

X-X  
 FOR  
 ELECTRICAL  
 CALLOUTS  
 SEE DWG NO.  
 121339-01-000

- 45D LOFT BED - WITHOUT
- 45B LOFT BED
- 78C SATELLITE SYSTEM READY
- 783 SATELLITE HD TV SYSTEM AUTOC
- 265 CODES/STANDARDS-CSA/CMVSS
- 1B1 CODES/STANDARDS USA

1B1	265
FIRST USED	
<b>14 L-SERIES</b>	
DO NOT SCALE DRAWING	
TITLE: <b>WIRING INSTL-TV/DVD</b>	
SHEET 4	PART NO <b>185626</b> REV

\*185626\*

8

7

6

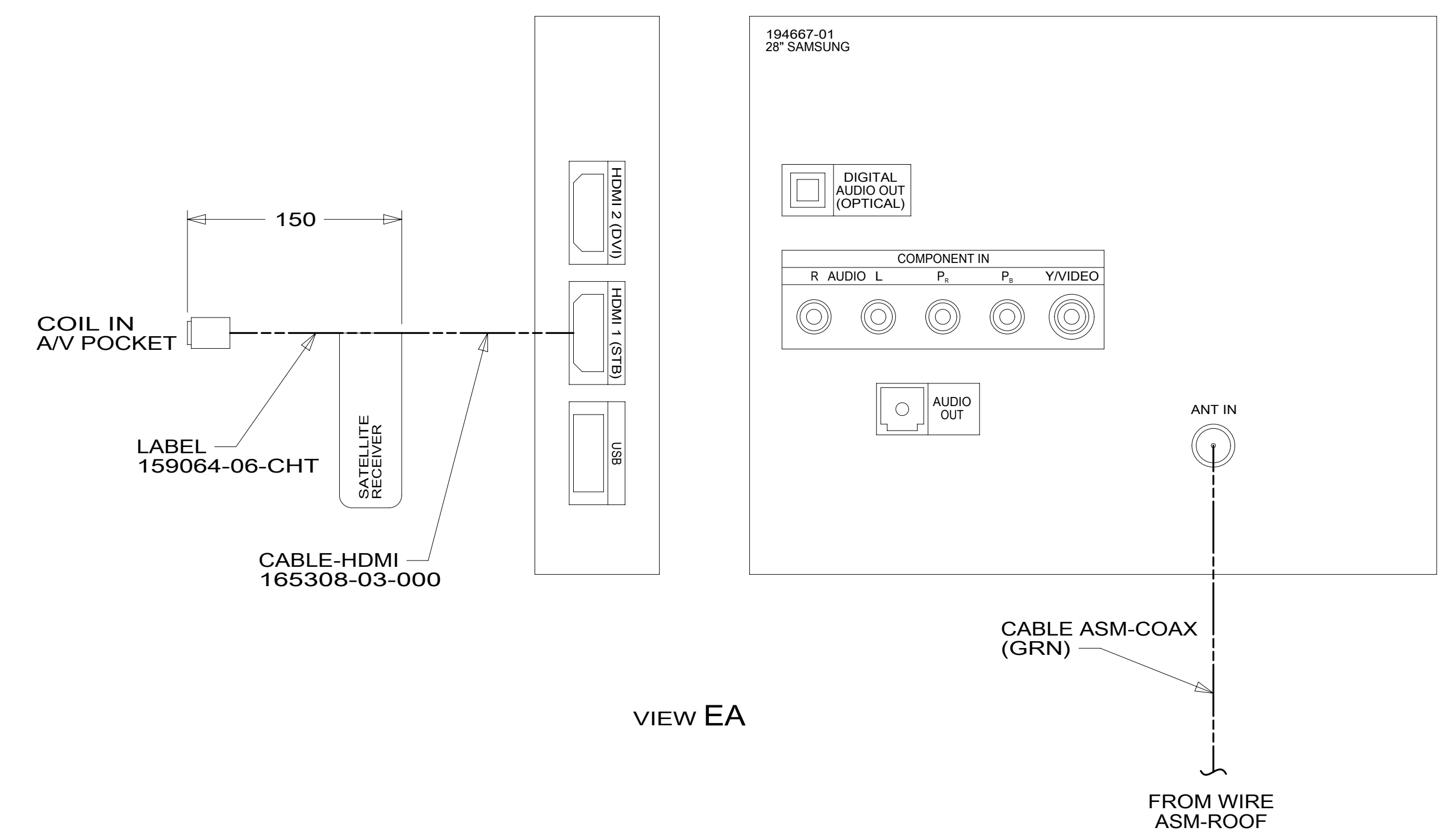
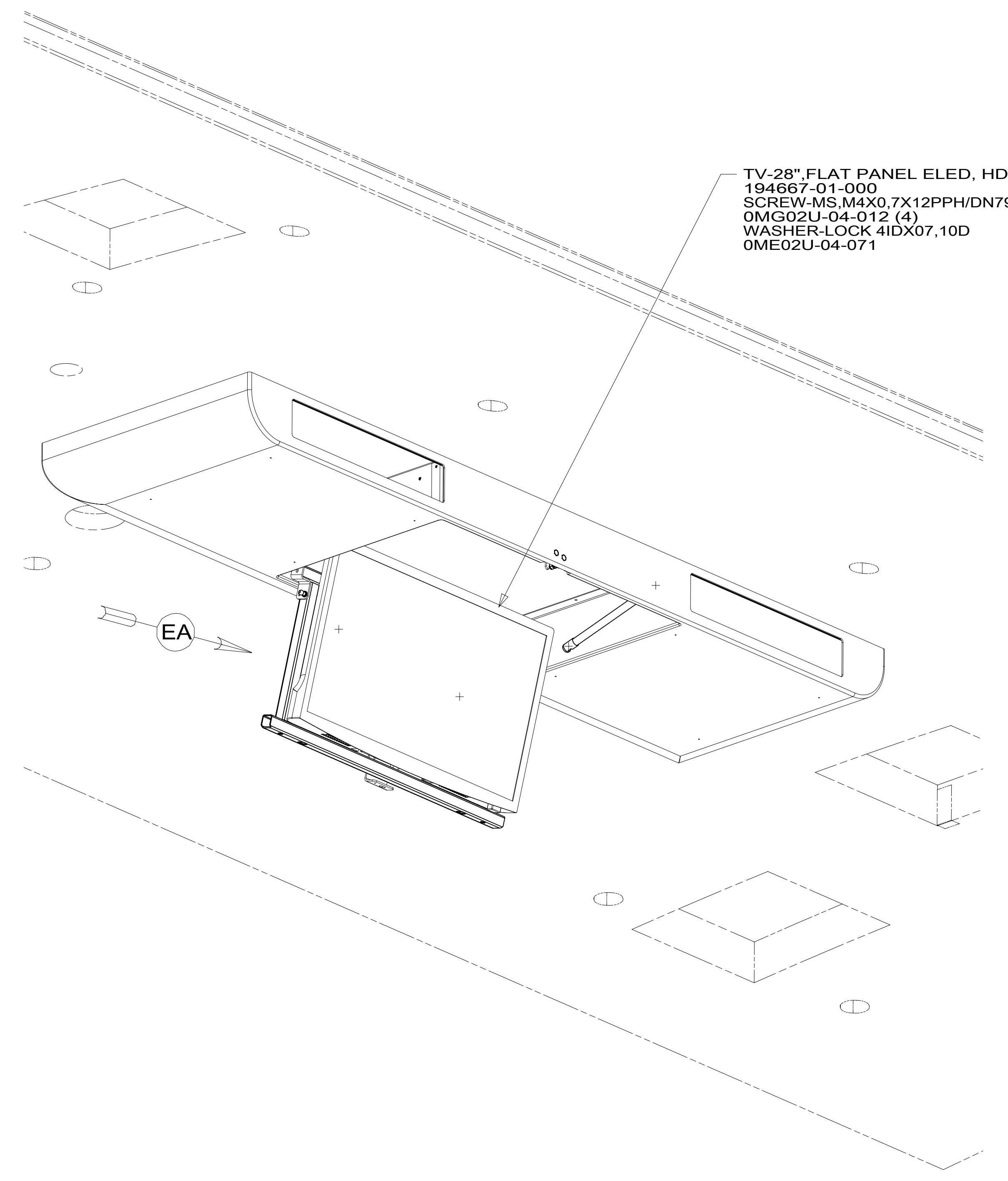
5

4

3

2

1



VIEW EA

265 CODES/STANDARDS-CSA/CMVSS

1B1 CODES/STANDARDS USA

1B1 265

FIRST USED **14 L-SERIES**

DO NOT SCALE DRAWING

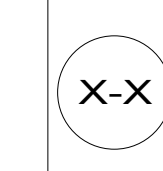
TITLE: **WIRING INSTL-TV/DVD**

SHEET 5 PART NO **185626** REV

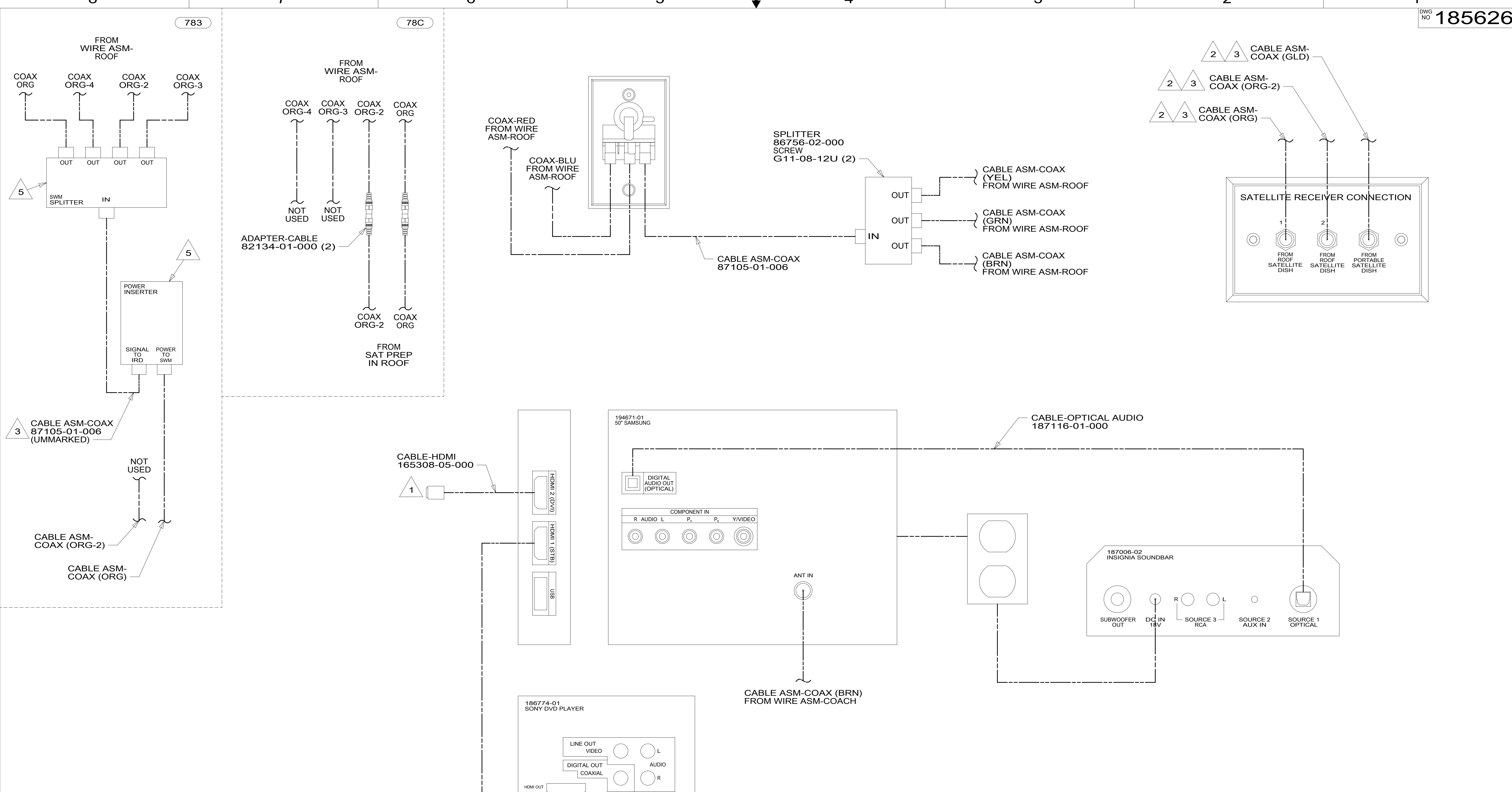
1 12-Nov-2015

FOR ELECTRICAL TORQUE SPECIFICATIONS SEE DWG NO. 128783-01-000

FOR ELECTRICAL CALLOUTS SEE DWG NO. 121339-01-000



\*185626\*



- 5 PARTS ARE SUPPLIED WITH INTERIOR CONTROL 183415-05-000.
- 4 CONNECT ANTENNA CABLES TO SOUND BAR AND MOUNT ANTENNA BEHIND FIREPLACE.
- 3 CABLE ROUTED IN ROOF.
- 2 CABLE CONNECTS TO REAR SIDE OF PLATE.
- 1 COIL IN AV PREP SHELF AREA.

NOTES:

VIEW FA

FOR ELECTRICAL TORQUE SPECIFICATIONS SEE DWG NO. 128783-01-000

FOR ELECTRICAL CALLOUTS SEE DWG NO. 121339-01-000

- 783 SATELLITE HD TV SYSTEM AUTOC
- 265 CODES/STANDARDS-CSA/CMVSS
- 1B1 CODES/STANDARDS USA

1B1	265
FIRST USED	
<b>14 L-SERIES</b>	
DO NOT SCALE DRAWING	
TITLE: <b>WIRING INSTL-TV/DVD</b>	
SHEET 6	PART NO <b>185626</b> REV
1 12-Nov-2015	

\* 185626 \*