



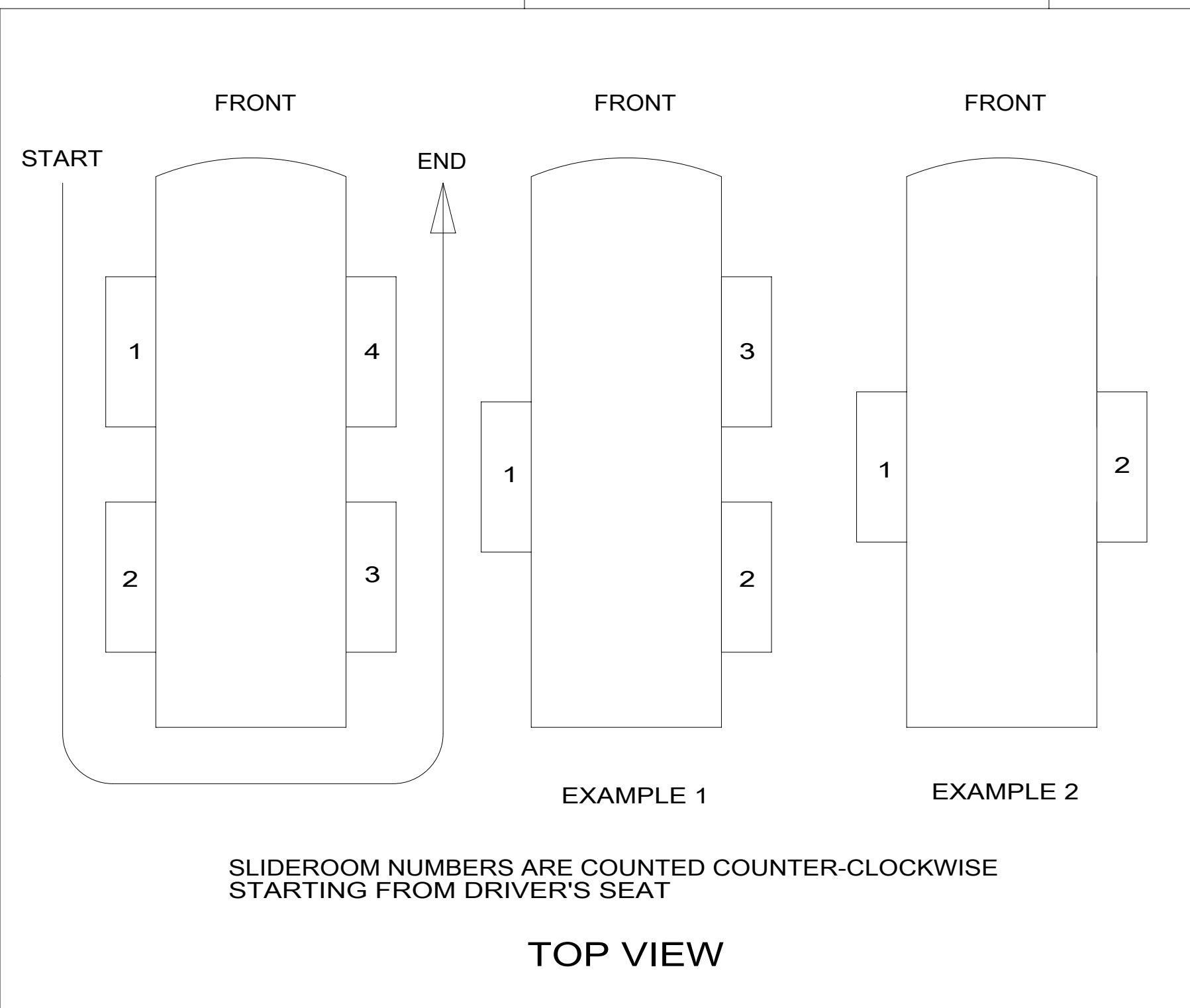
DANGER

Danger of electrical shock, burns or death. Always remove all power sources before attempting any repair, service or diagnostic work. Power can be present from shore power, generator, inverter or battery. All power sources must be disabled and secured before performing any service.

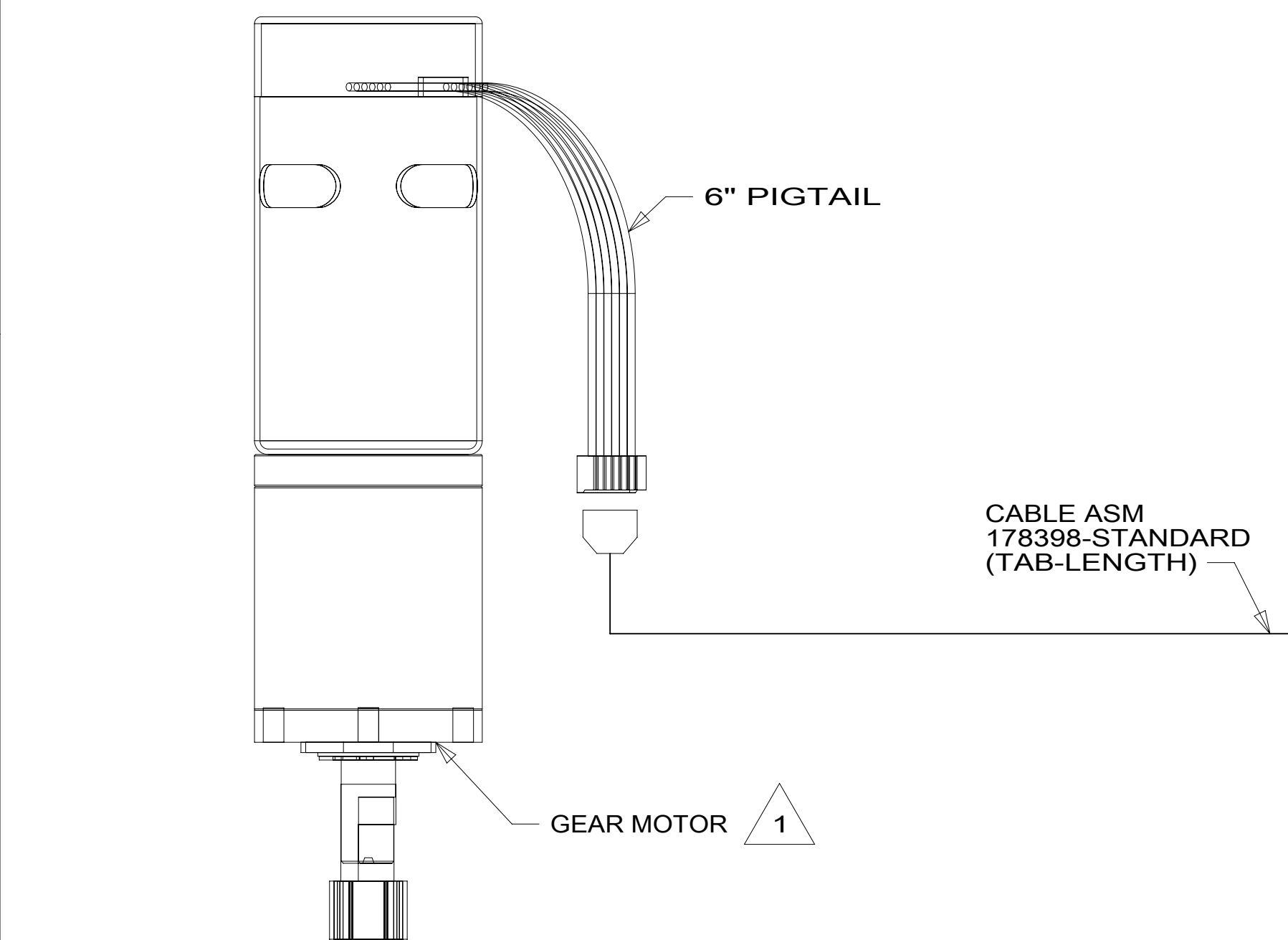
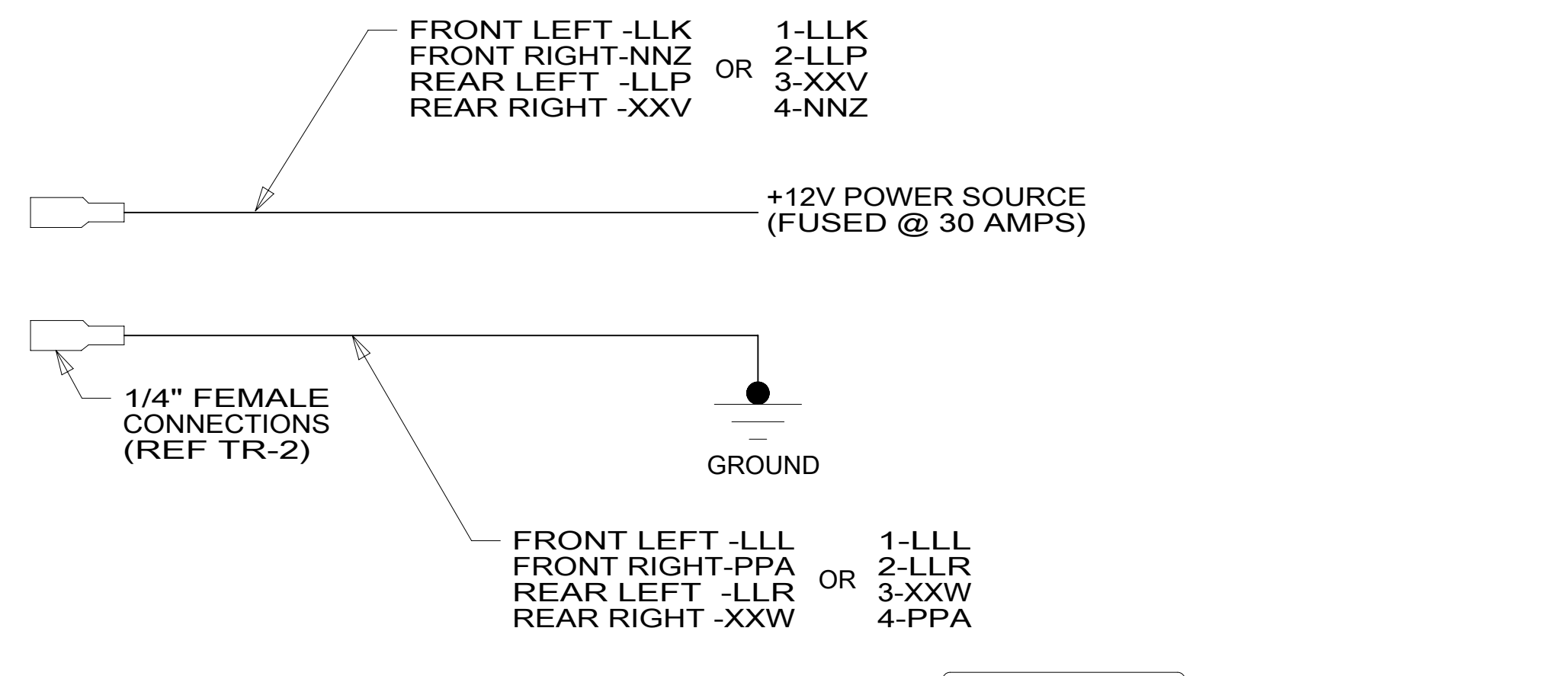
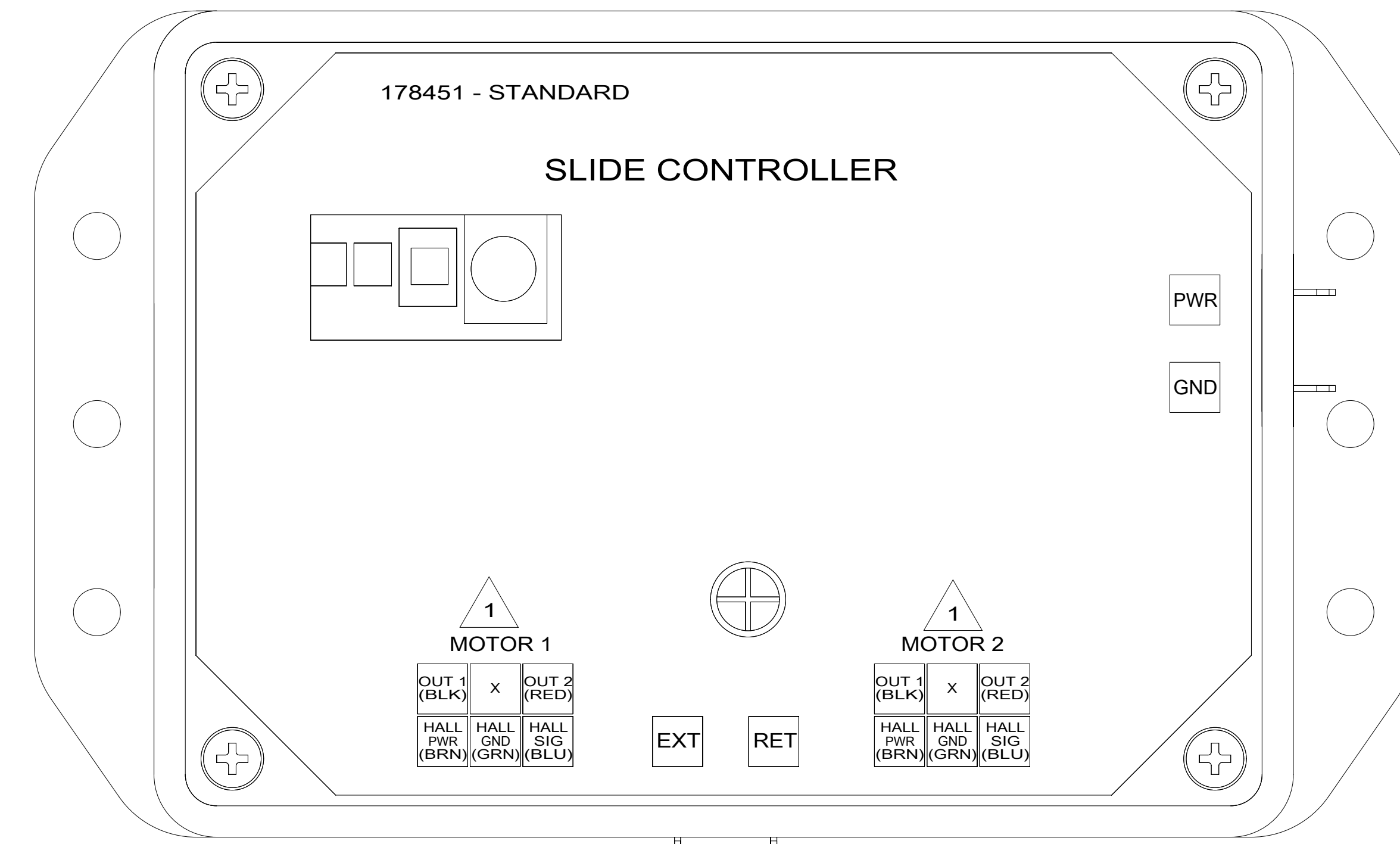


CAUTION

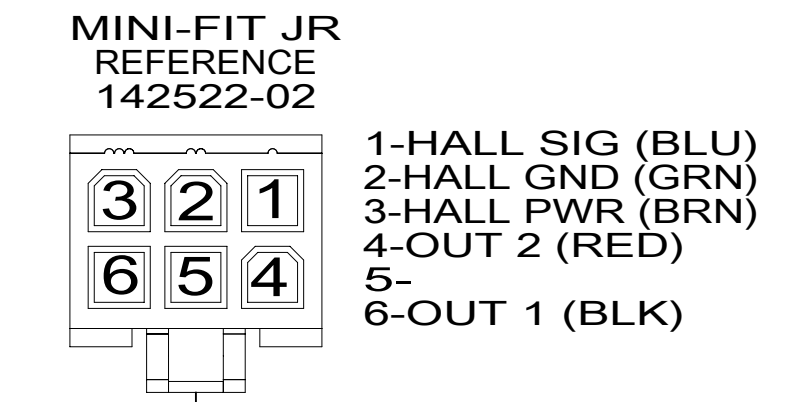
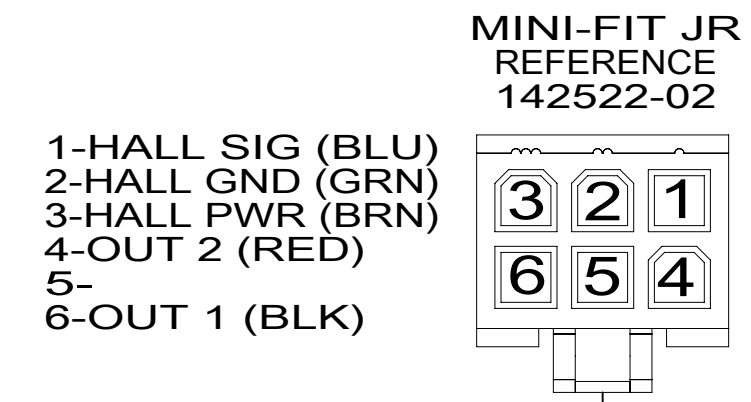
If you lack the skills, tools or equipment to perform diagnostic or repair work leave such work to an authorized Winnebago Industries dealer or other qualified shop.



TOP VIEW

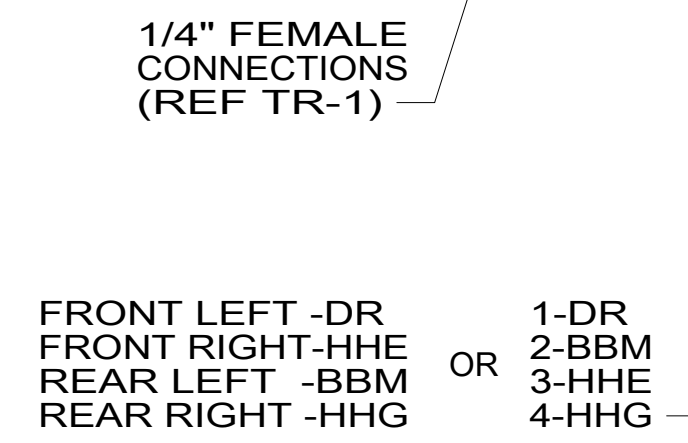


GEAR MOTOR 1

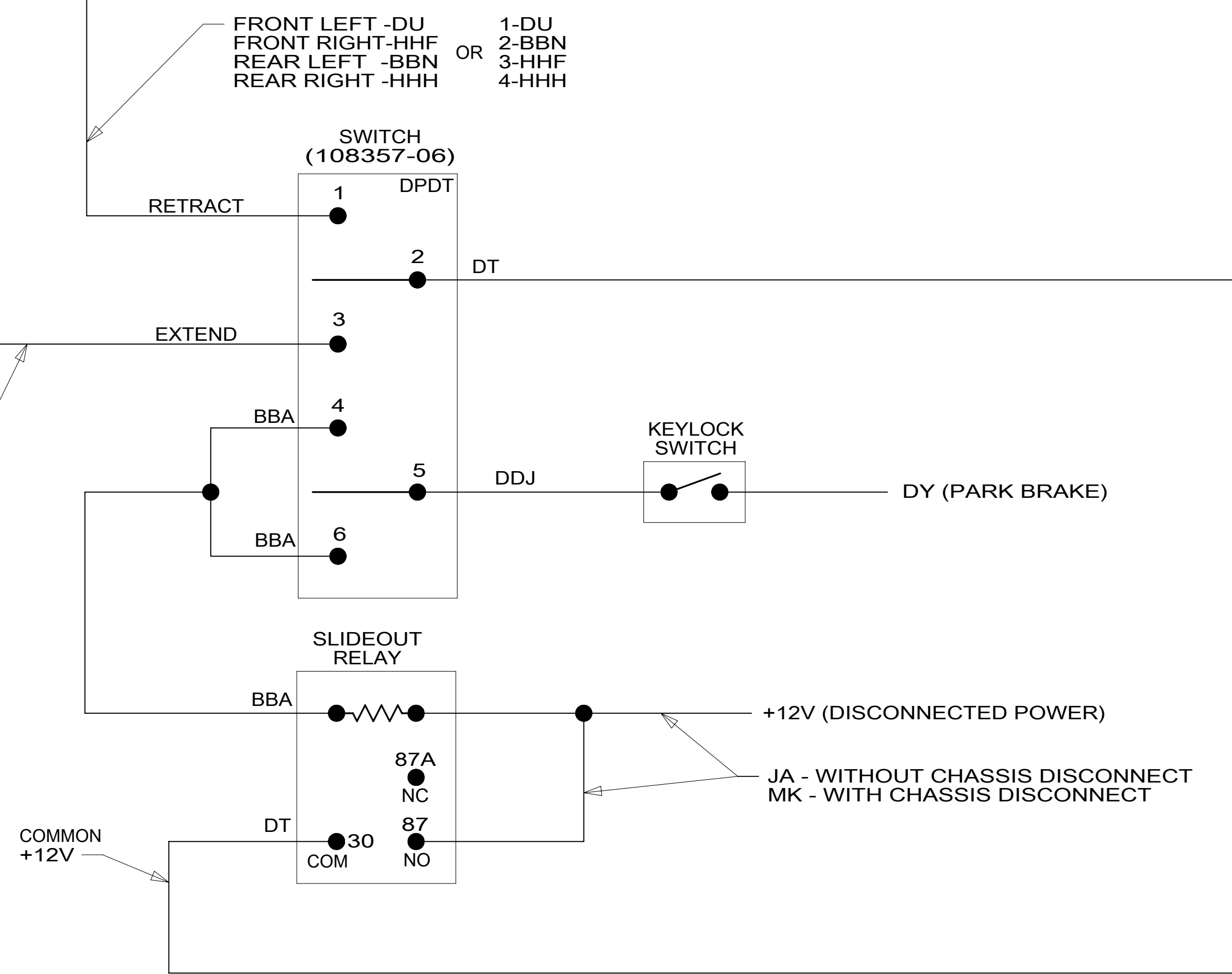


1-HALL SIG (BLU)
 2-HALL GND (GRN)
 3-HALL PWR (BRN)
 4-OUT 2 (RED)
 5-OUT 1 (BLK)

1-HALL SIG (BLU)
 2-HALL GND (GRN)
 3-HALL PWR (BRN)
 4-OUT 2 (RED)
 5-OUT 1 (BLK)



1-DR
 2-BBM
 3-HHE
 4-HHG



SCHWINTEK SLIDEOUT MOTOR HARNESS TAPE COLOR (INCORPORATED WITH 12V HARNESS)		
SLIDEOUT POSITION	MOTOR 1 (LEFT)	MOTOR 2 (RIGHT)
FRONT LEFT	GREEN	YELLOW
REAR LEFT	PURPLE	BLUE
FRONT RIGHT	ORANGE	RED
REAR RIGHT	LT YELLOW	BROWN

- NOTES:
- ALL WIRE DESIGNATIONS AND COLORS ARE FOR TRACEABILITY PURPOSES ONLY AND MAY VARY.
 - TYPICAL CONFIGURATION. ACTUAL WIRING MAY VARY DUE TO CHASSIS CONFIGURATION.
 - WHEN LOOKING AT THE SLIDEOUT ROOM FROM INSIDE THE COACH MOTOR 1 IS THE LEFT MOTOR AND MOTOR 2 IS THE RIGHT MOTOR.

LIPPERT/SCHWINTEK UNITS WITH SEPARATE KEY LOCKOUT SWITCH (USUALLY IN ONEPLACE)

WINNEBAGO COPYRIGHT 2014 WINNEBAGO INDUSTRIES, INC.

ALL DIMENSIONS ARE IN MILLIMETERS

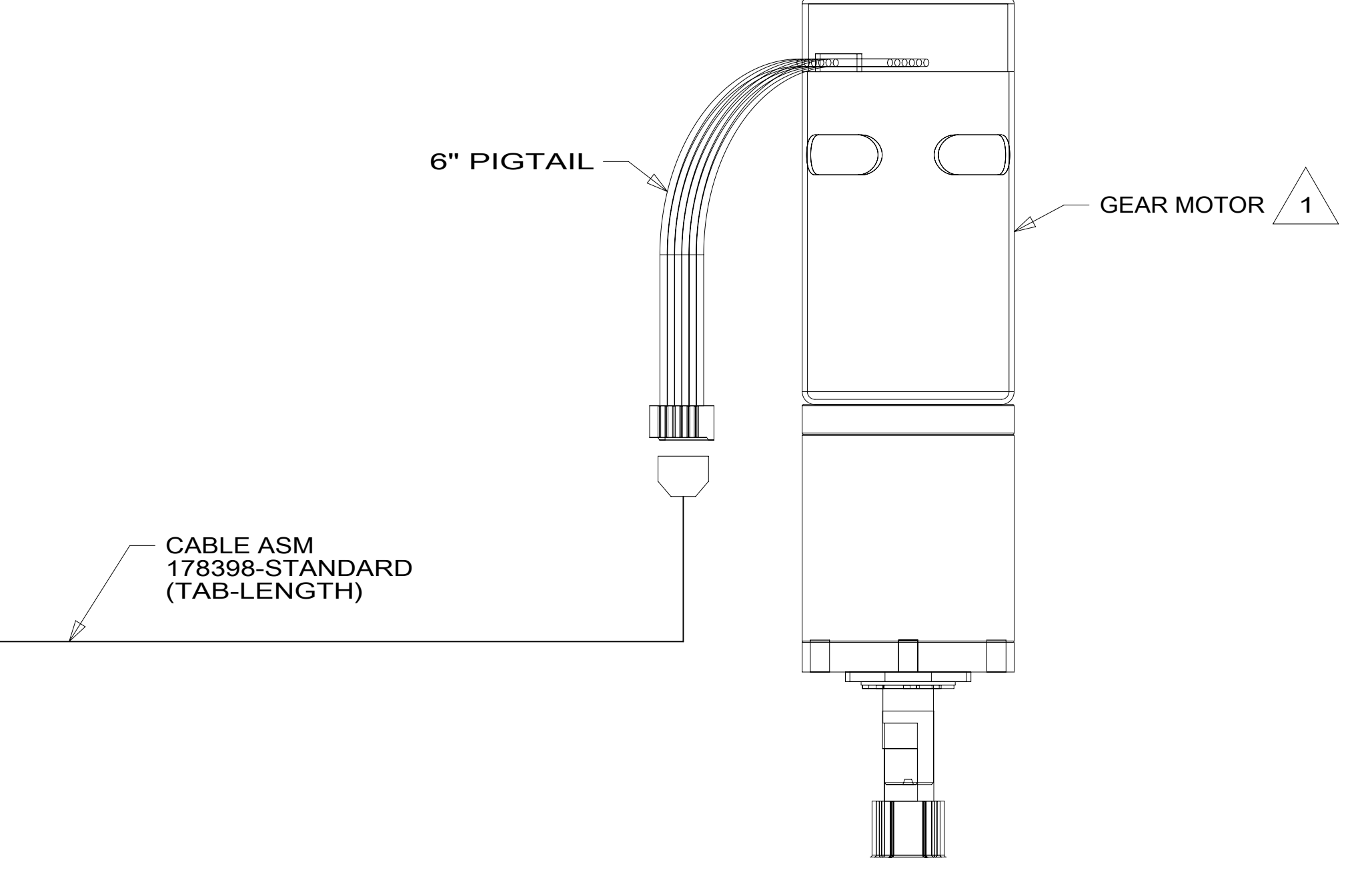
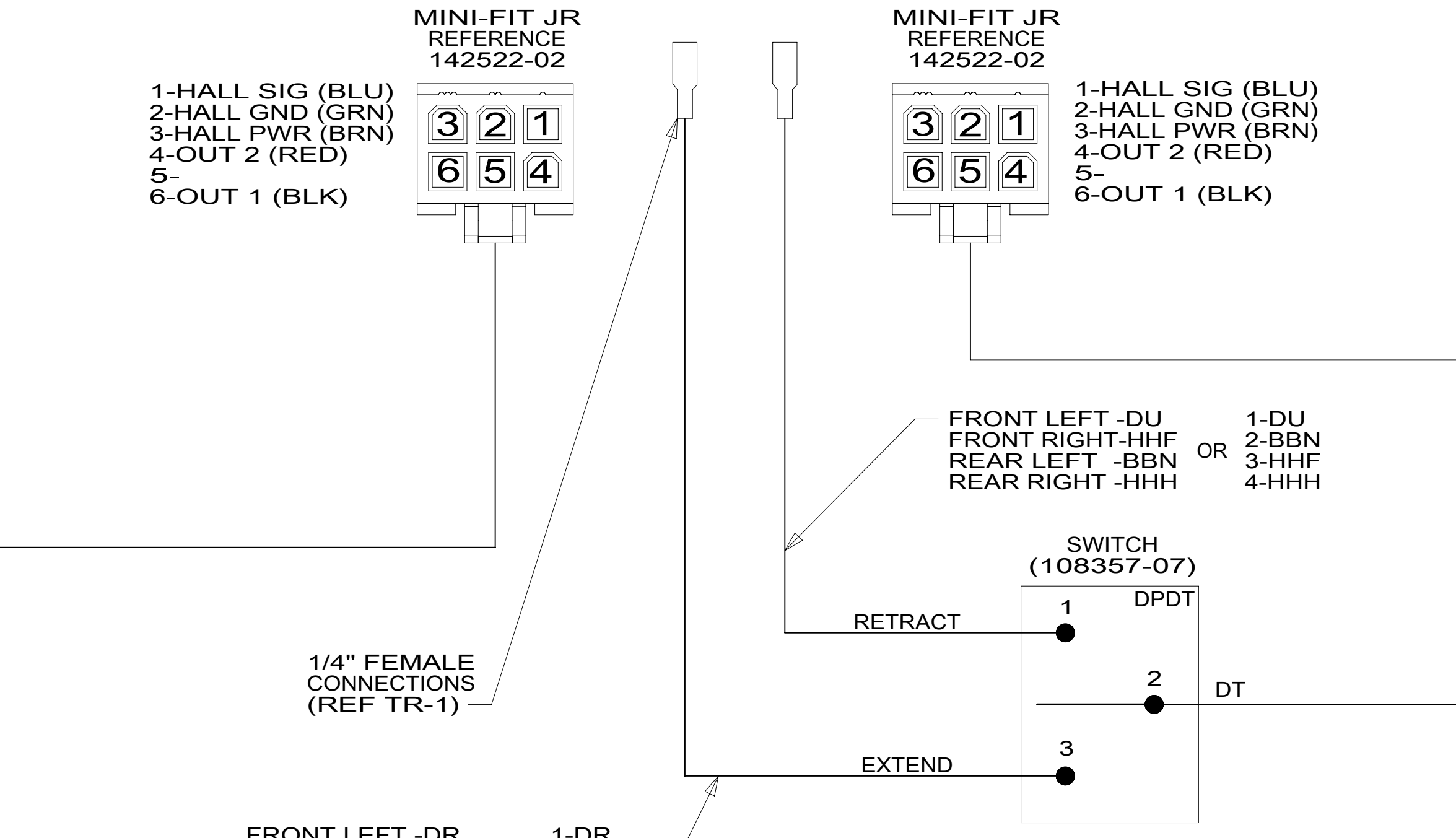
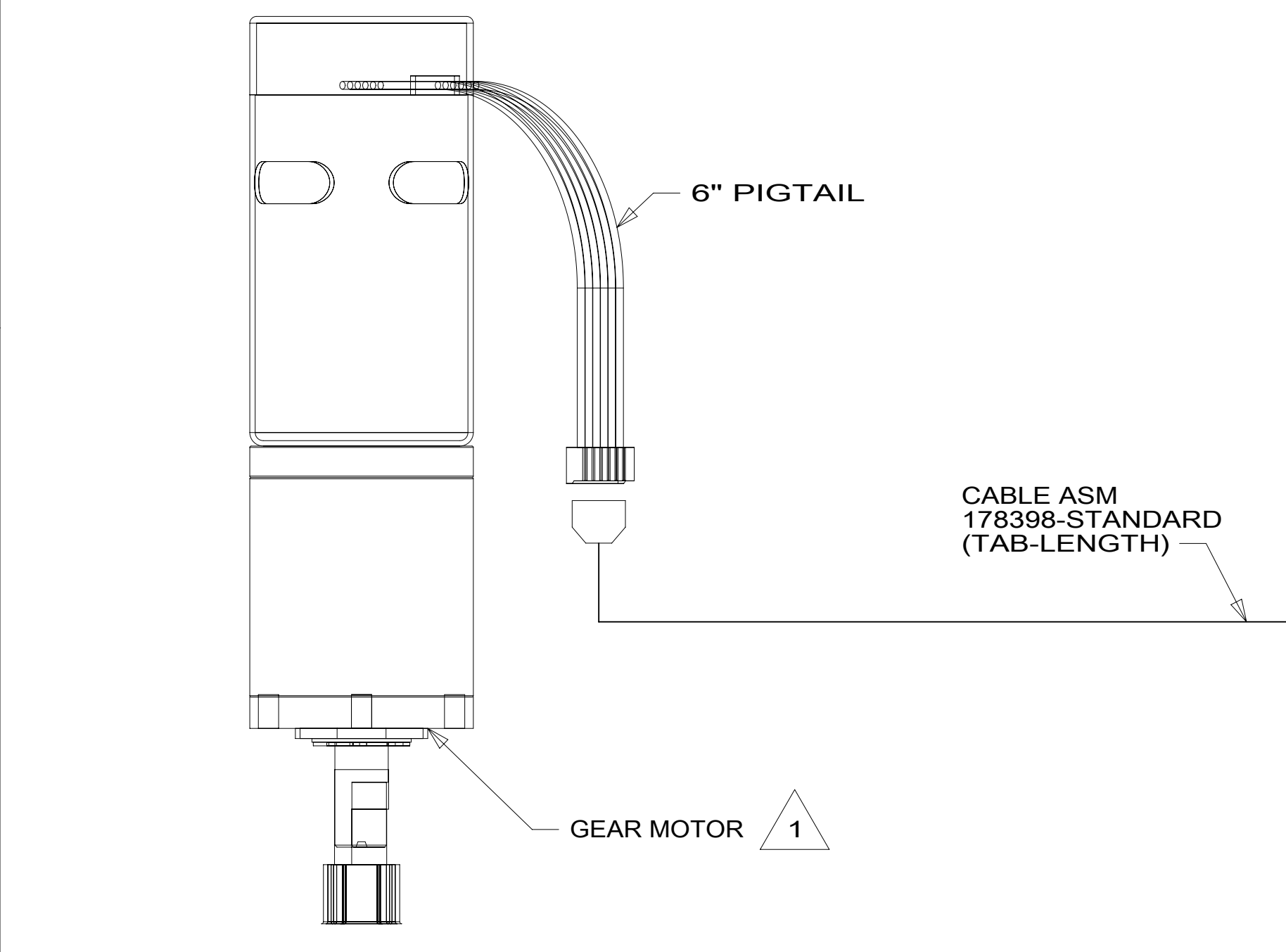
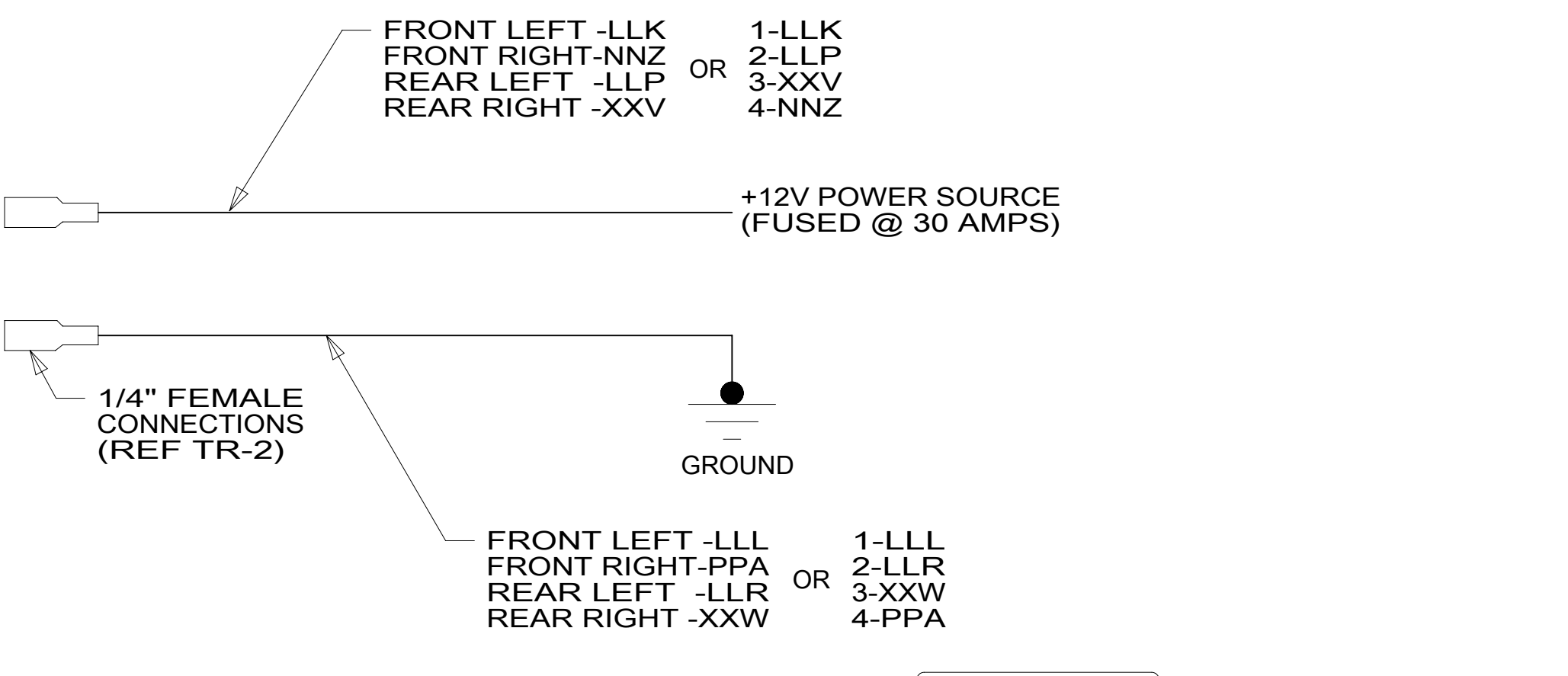
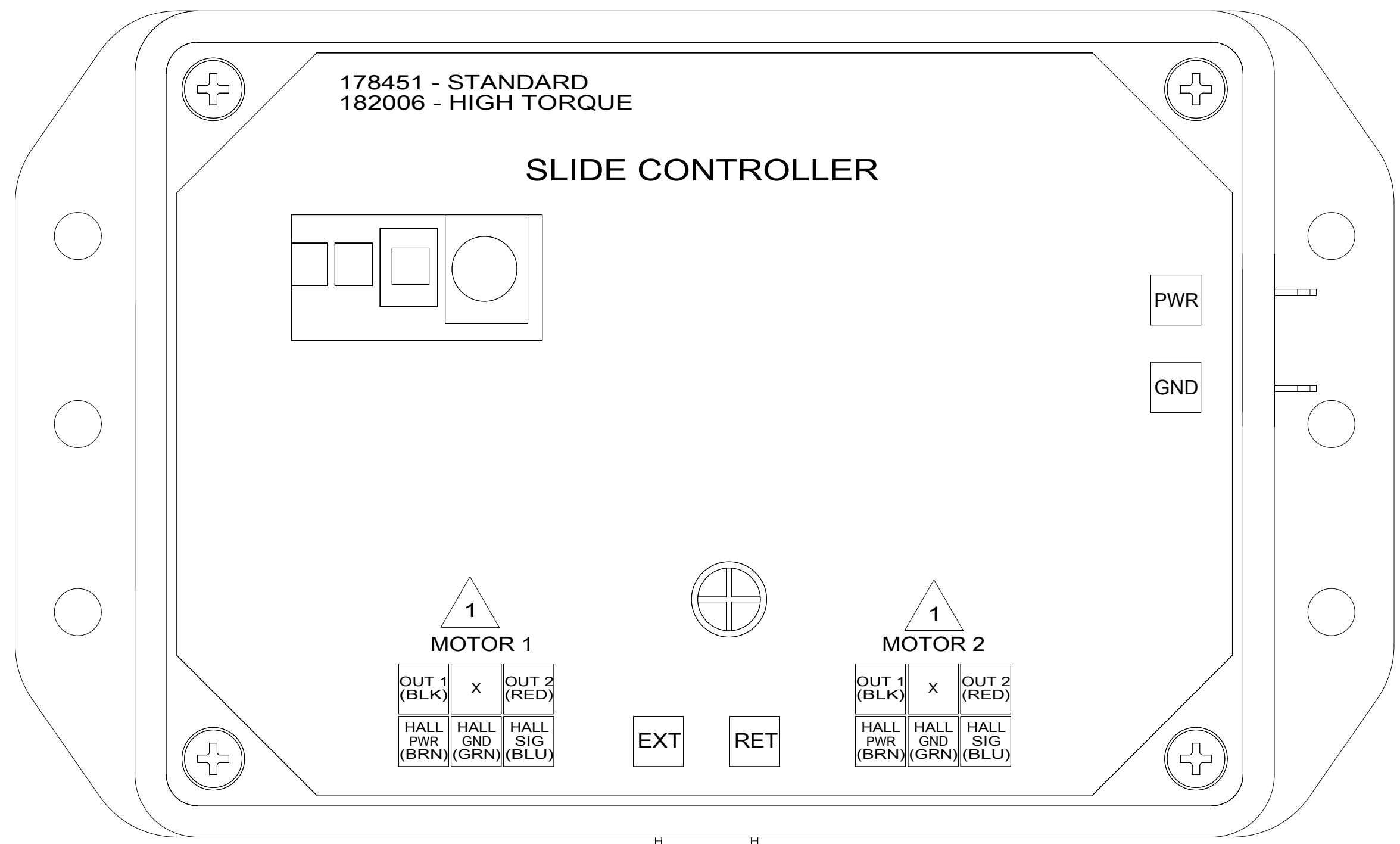
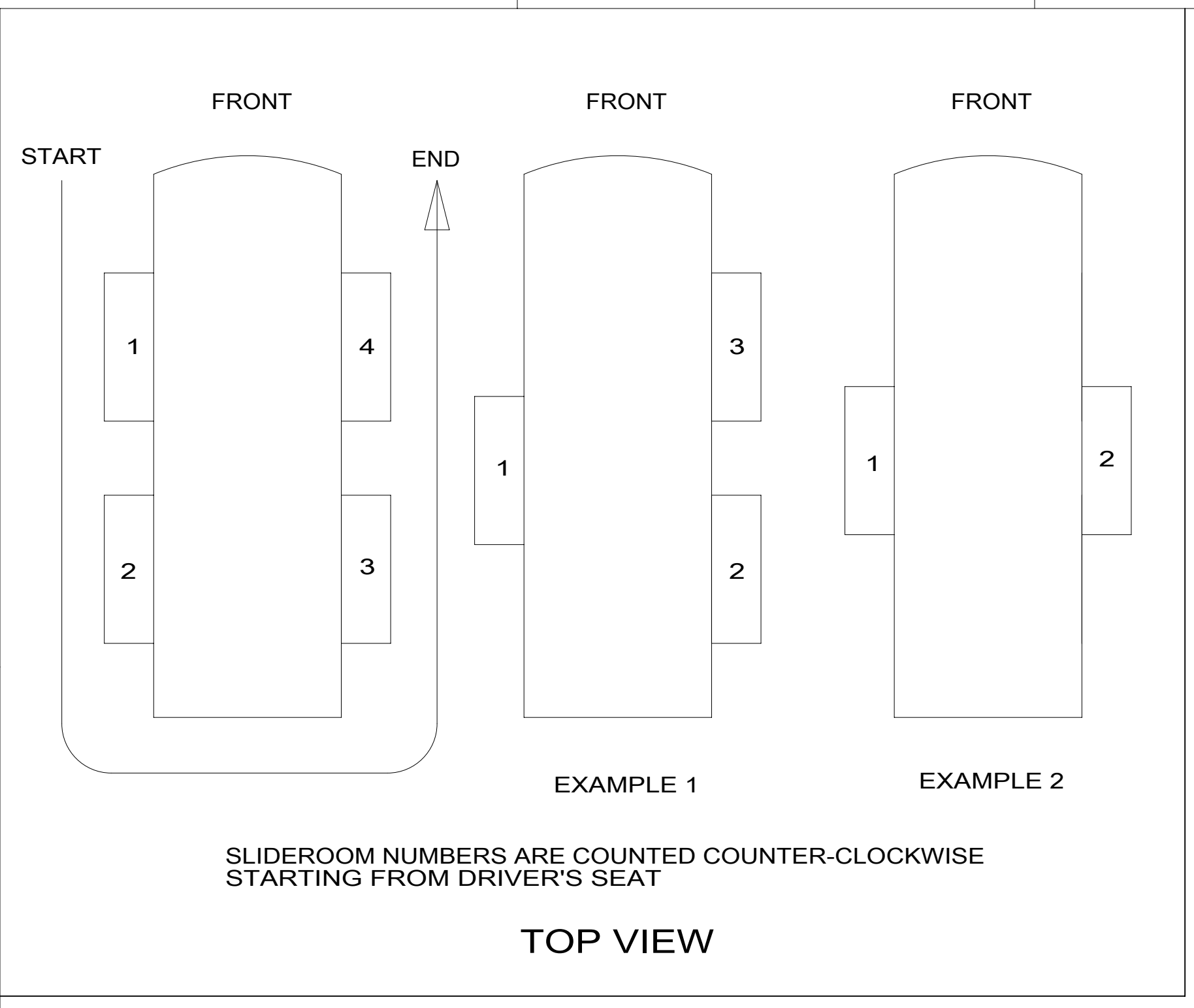
UNSPECIFIED TOLERANCES ARE:
 WHOLE DIM (X) : 3
 ONE-PLACE (X.X) : 1.5
 TWO-PLACE (X.XX) : 0.50
 ANGLE : 1'

DO NOT SCALE DRAWING REFER TO ES0018 FOR FASTENER TIGHTENING GUIDELINES

TITLE: SYSTEM DIAGRAM-SLIDEROOMS

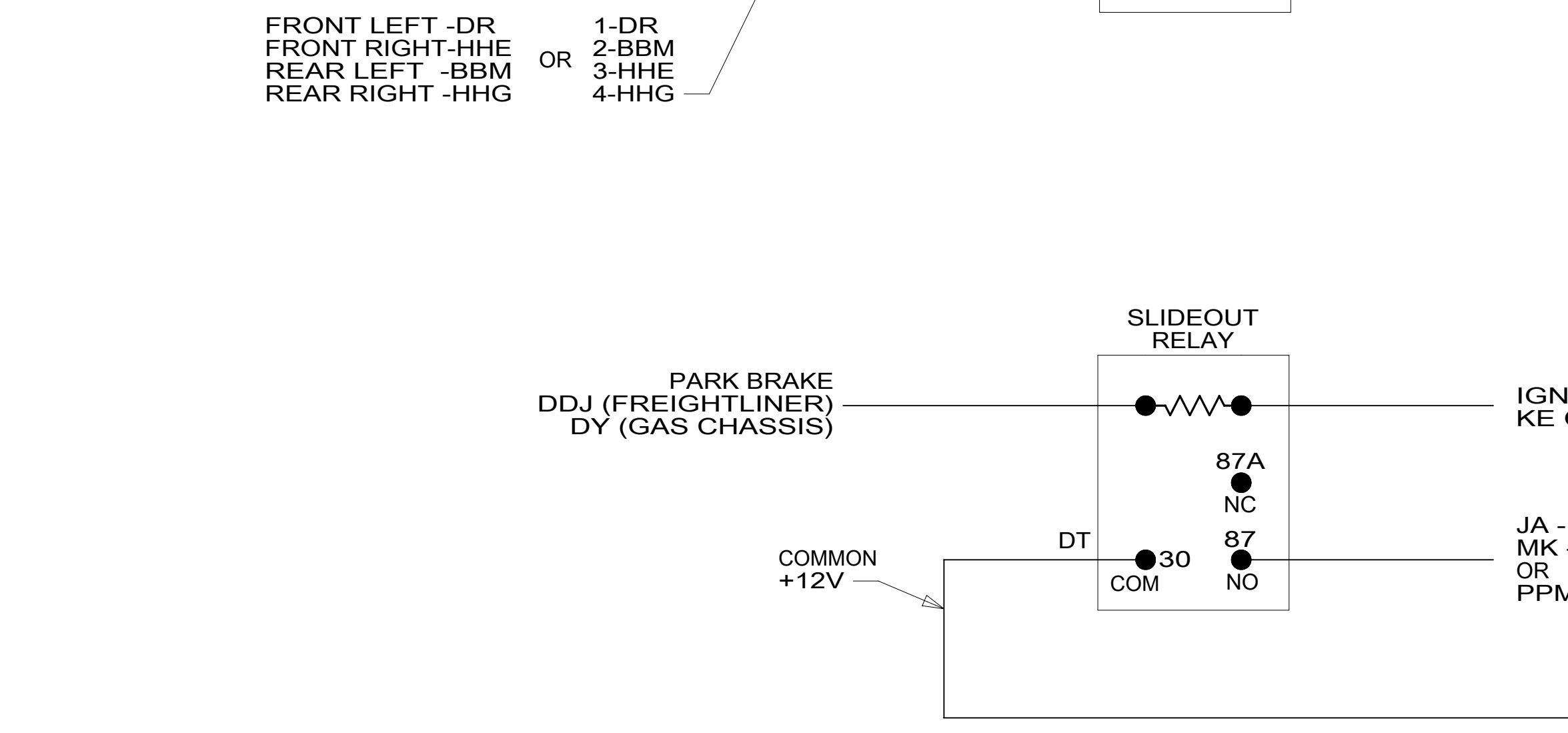
SHEET 1 OF 3 PART NO 183594 REV 1 08-Jul-2015

*183594 *A



SCHWINTEK SLIDEOUT MOTOR HARNESS TAPE COLOR (INCORPORATED WITH 12V HARNESS)

SLIDEOUT POSITION	MOTOR 1 (LEFT)	MOTOR 2 (RIGHT)
FRONT LEFT	GREEN	YELLOW
REAR LEFT	PURPLE	BLUE
FRONT RIGHT	ORANGE	RED
REAR RIGHT	LT YELLOW	BROWN



NOTES:

- ALL WIRE DESIGNATIONS AND COLORS ARE FOR TRACEABILITY PURPOSES ONLY AND MAY VARY.
- TYPICAL CONFIGURATION. ACTUAL WIRING MAY VARY DUE TO CHASSIS CONFIGURATION.
- WHEN LOOKING AT THE SLIDEOUT ROOM FROM INSIDE THE COACH MOTOR 1 IS THE LEFT MOTOR AND MOTOR 2 IS THE RIGHT MOTOR.

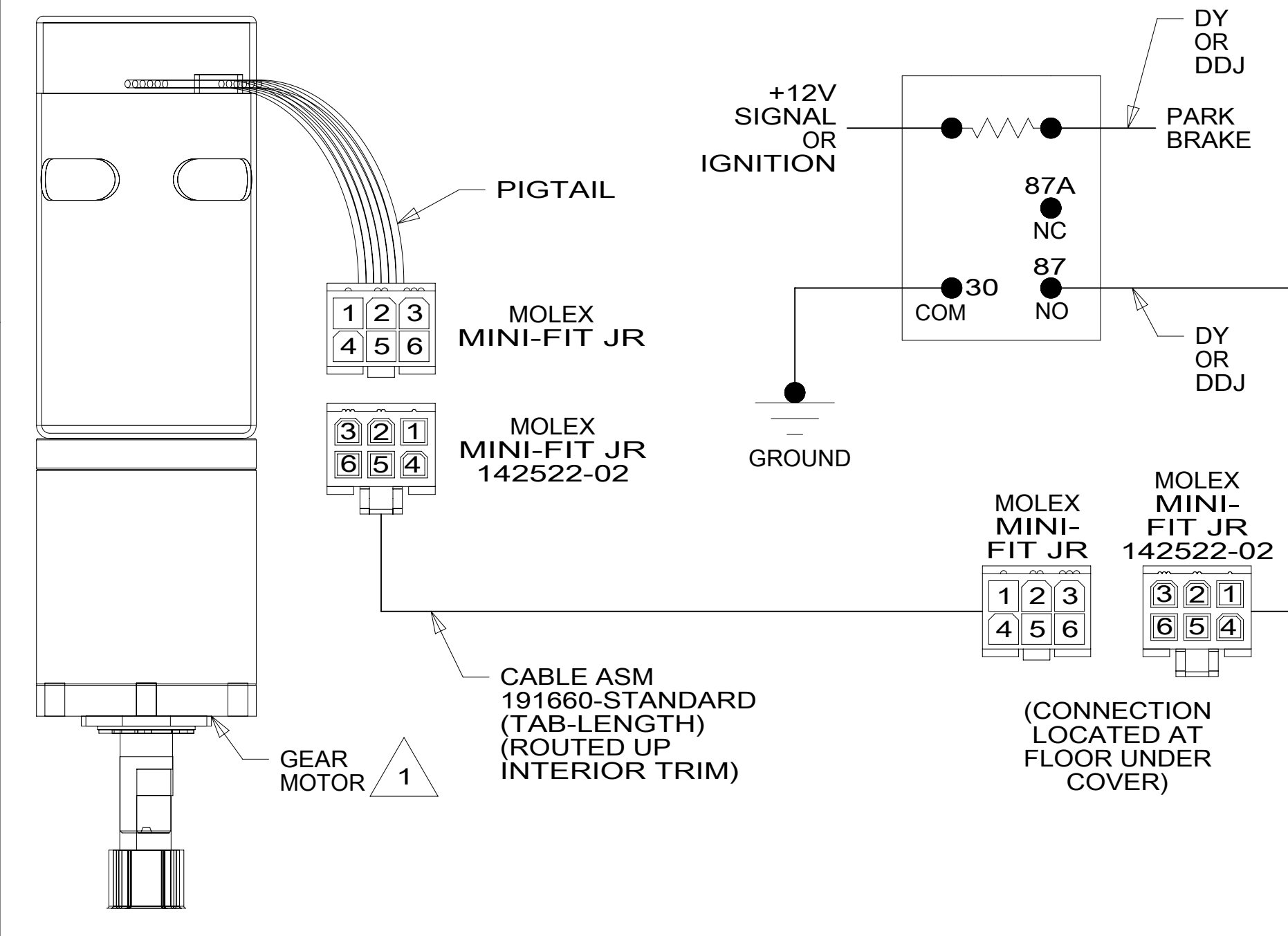
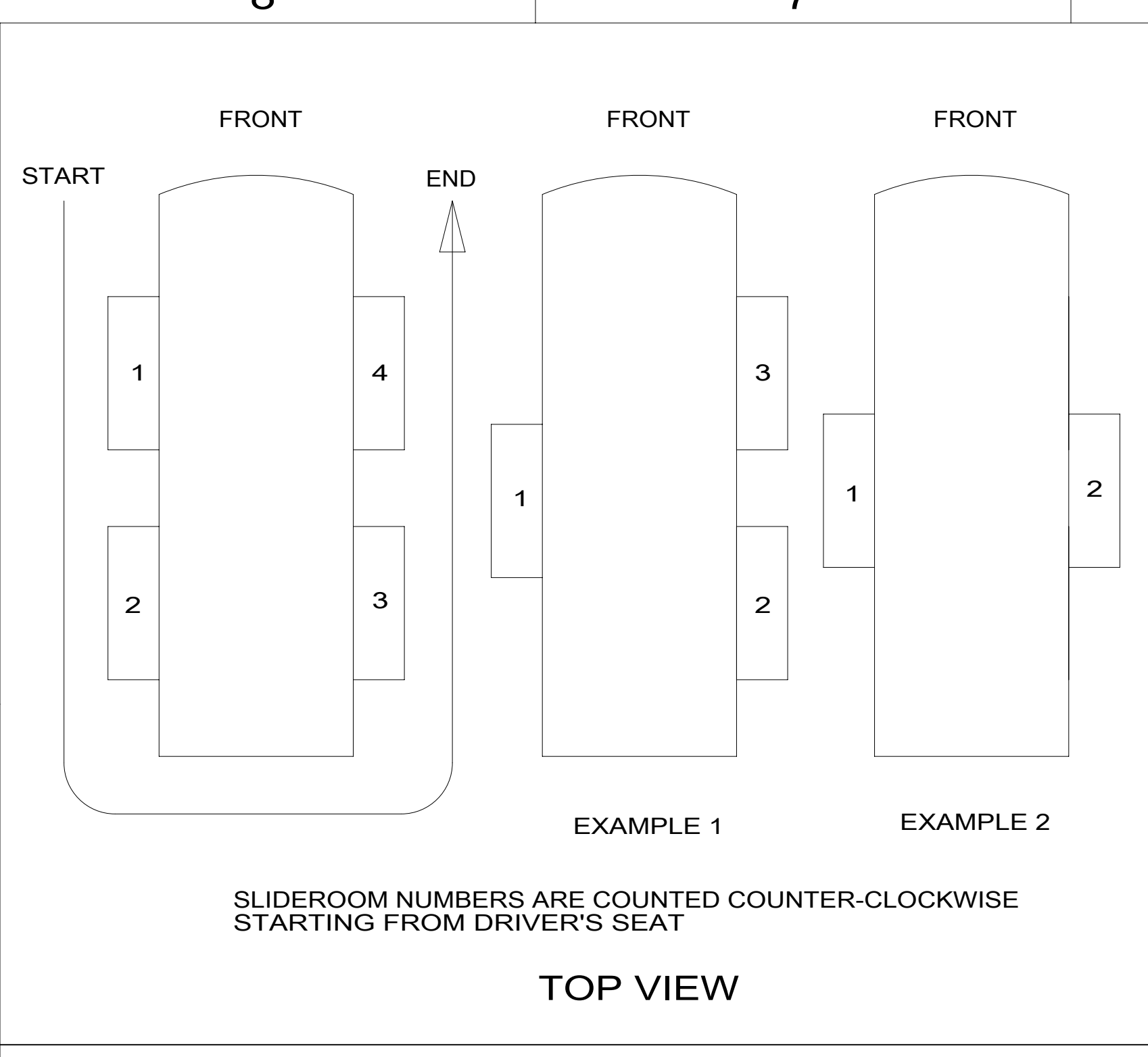
LIPPERT/SCHWINTEK UNITS WITH IGNITION LOCKOUT CONTROL

DO NOT SCALE DRAWING

TITLE: SYSTEM DIAGRAM-SLIDEROOMS

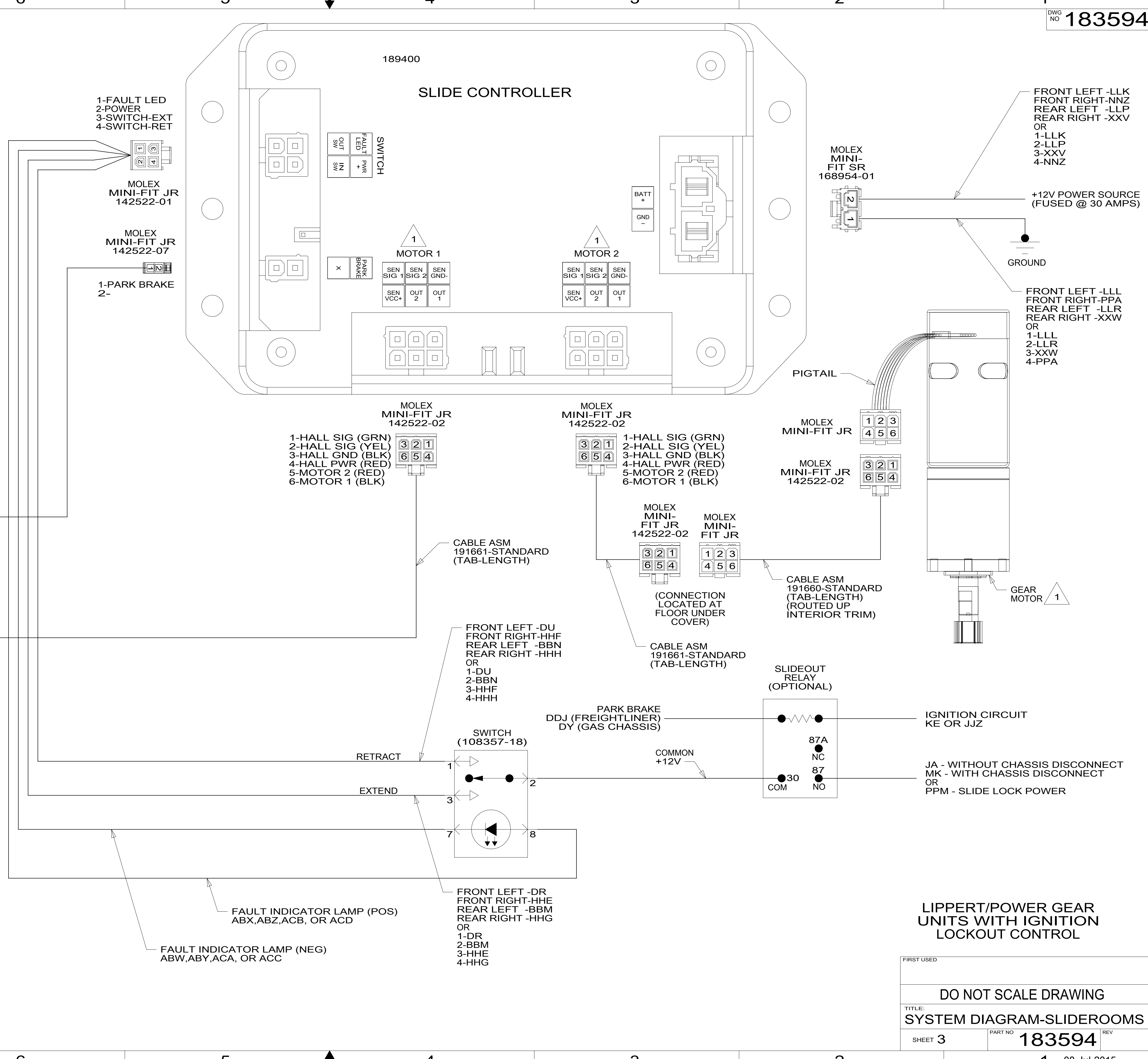
SHEET 2 PART NO 183594 REV 08-Jul-2015

183594



SLIDEOUT MOTOR HARNESS TAPE COLOR (INCORPORATED WITH 12V HARNESS)		
SLIDEOUT POSITION	MOTOR 1 (LEFT)	MOTOR 2 (RIGHT)
FRONT LEFT	GREEN	YELLOW
REAR LEFT	PURPLE	BLUE
FRONT RIGHT	ORANGE	RED
REAR RIGHT	LT YELLOW	BROWN

- NOTES:
- ALL WIRE DESIGNATIONS AND COLORS ARE FOR TRACEABILITY PURPOSES ONLY AND MAY VARY.
 - TYPICAL CONFIGURATION. ACTUAL WIRING MAY VARY DUE TO CHASSIS CONFIGURATION.
 - WHEN LOOKING AT THE SLIDEOUT ROOM FROM INSIDE THE COACH MOTOR 1 IS THE LEFT MOTOR AND MOTOR 2 IS THE RIGHT MOTOR.



LIPPERT/POWER GEAR UNITS WITH IGNITION LOCKOUT CONTROL

FIRST USED	
DO NOT SCALE DRAWING	
TITLE: SYSTEM DIAGRAM-SLIDEROOMS	
SHEET 3	PART NO 183594 REV
08-Jul-2015	

183594