



DANGER

Danger of electrical shock, burns or death. Always remove all power sources before attempting any repair, service or diagnostic work. Power can be present from shore power, generator, inverter or battery. All power sources must be disabled and secured before performing any service.

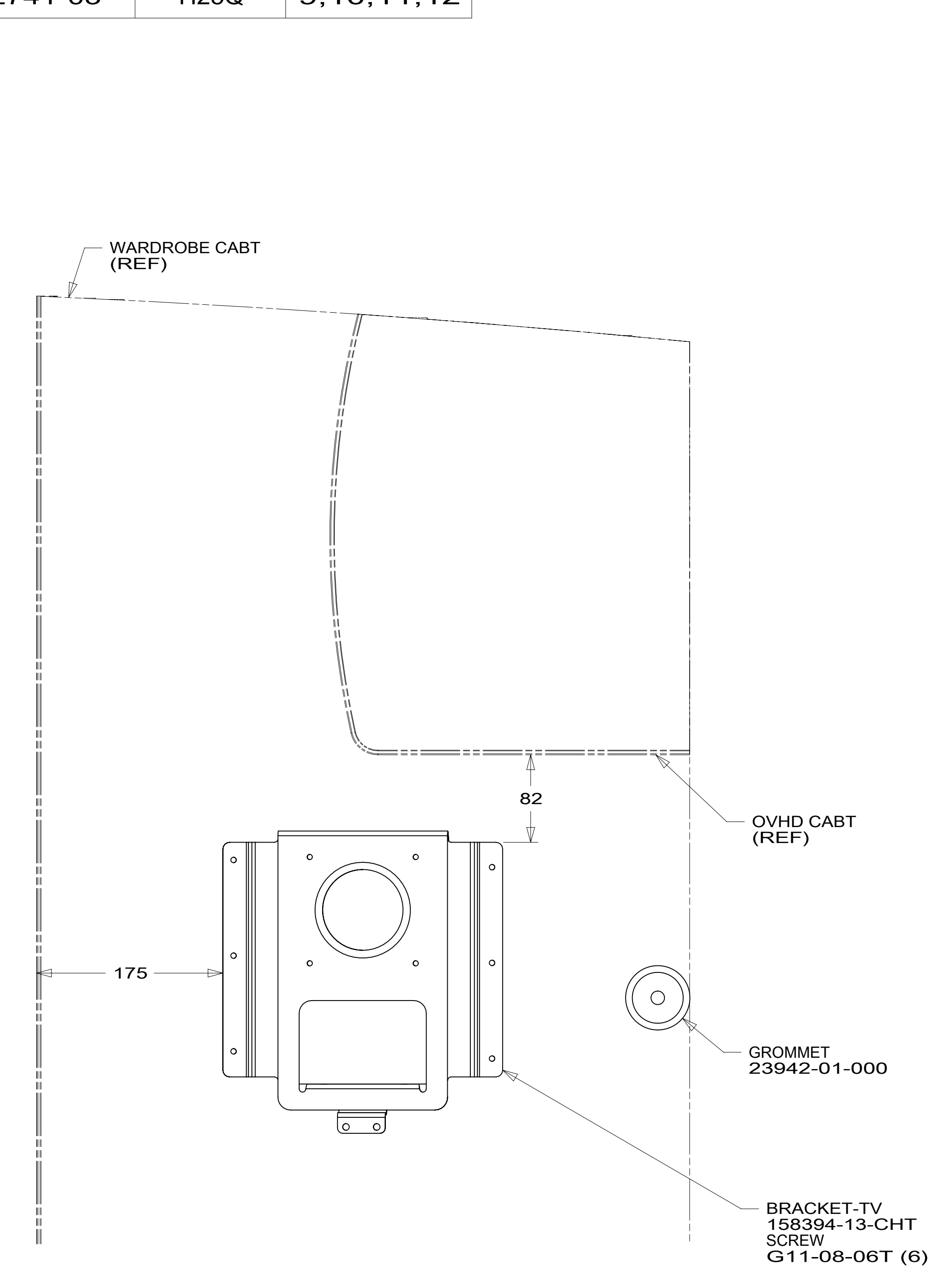


CAUTION

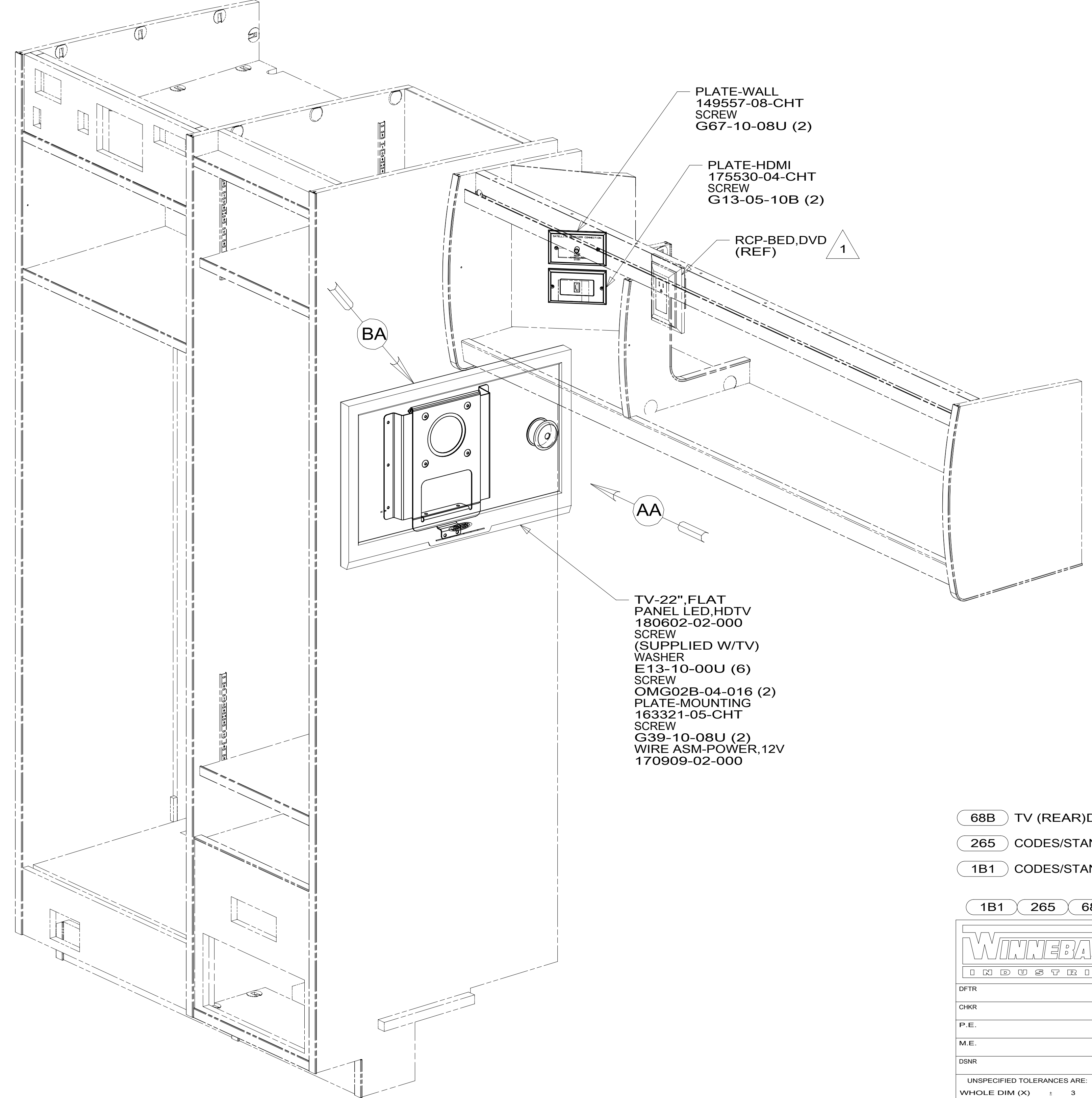
If you lack the skills, tools or equipment to perform diagnostic or repair work leave such work to an authorized Winnebago Industries dealer or other qualified shop.

DRAWING NO.	UNIT	SHEETS
182741-01	H25T	1,2,3,4
182741-02	H25P	5,6,7,8
182741-03	H25Q	9,10,11,12

RELEASE	REV/DATE	DWG NO	182741
REV ZONE	REVISION RECORD	DATE	DFT-ORIG



VIEW AA



TV-22" FLAT PANEL LED,HDTV
180602-02-000
SCREW (SUPPLIED W/TV)
WASHER
E13-10-00U (6)
SCREW
OMG02B-04-016 (2)
PLATE-MOUNTING
163321-05-CHT
SCREW
G39-10-08U (2)
WIRE ASM-POWER,12V
170909-02-000

- 68B TV (REAR)DC 22" LCD W/REMOTE
- 265 CODES/STANDARDS-CSA/CMVSS
- 1B1 CODES/STANDARDS USA

1B1 265 68B



DFT-ORIG	ORIG. DATE
CHKR	ALL DIMENSIONS ARE IN MILLIMETERS
P.E.	
M.E.	FIRST USED
DSNR	14 H-SERIES
UNSPECIFIED TOLERANCES ARE:	
WHOLE DIM (X)	: 3
ONE-PLACE (X.X)	: 1.5
TWO-PLACE (X.XX)	: 0.50
ANGLE	: 1°
THIRD ANGLE PROJECTION	
DO NOT SCALE DRAWING	REFER TO ES0018 FOR FASTENER TIGHTENING GUIDELINES

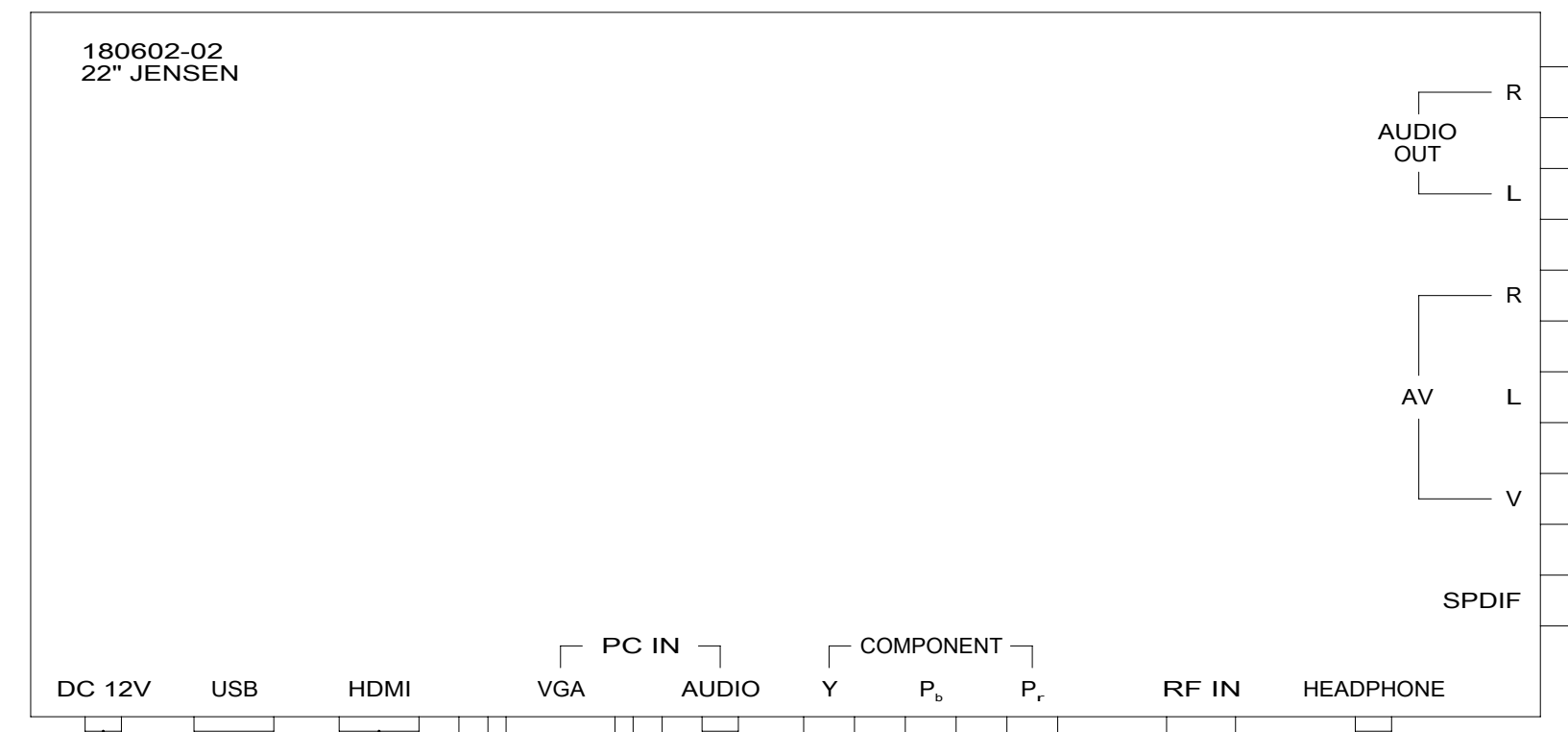
FOR ELECTRICAL TORQUE SPECIFICATIONS SEE DWG NO. 128783-01-000

FOR ELECTRICAL CALLOUTS SEE DWG NO. 121339-01-000

1 SEE WIRING INSTL-BODY,110V FOR ADDITIONAL INFORMATION.

TITLE:	WIRING INSTL-TV/DVD
SHEET 1 OF 12	PART NO 182741 REV
REF:	1 09-Dec-2014

182741



WIRE ASM-COACH FROM RCA SPLITTER
 CABLE-RCA,3-WAY (REF)

COAX (GRN)

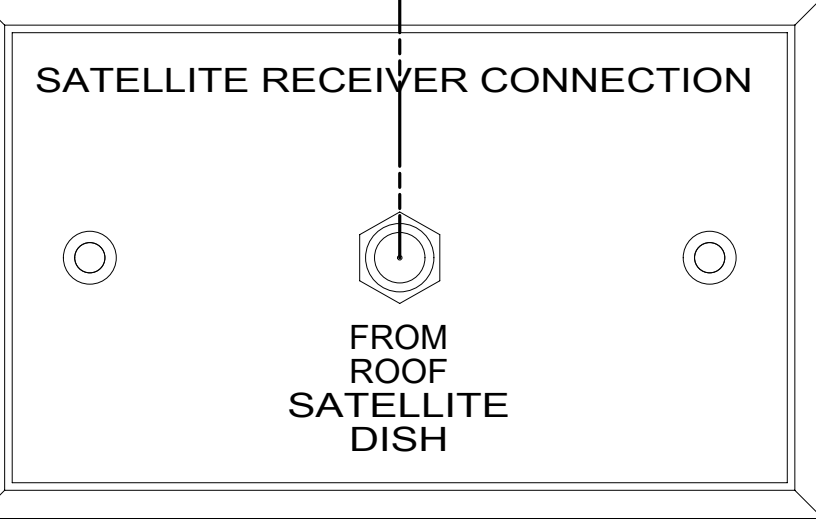
FROM WIRE ASM-COACH

WIRE ASM-POWER,TV

FROM WIRE ASM-COACH

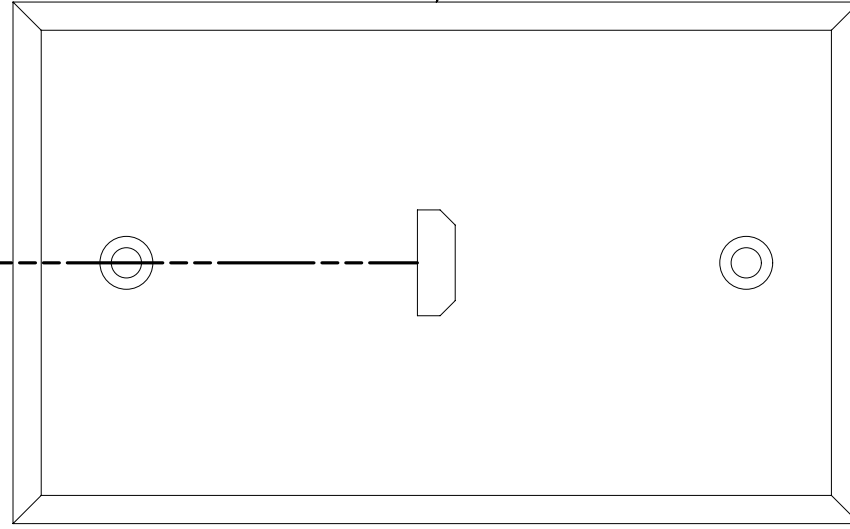
FROM WIRE ASM-ROOF

COAX (ORG/ORG)



HDMI PREP PLATE

CABLE-HDMI



DETAIL BA

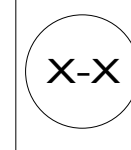
- 68B TV (REAR)DC 22" LCD W/REMOTE
- 265 CODES/STANDARDS-CSA/CMVSS
- 1B1 CODES/STANDARDS USA

1B1 265 68B

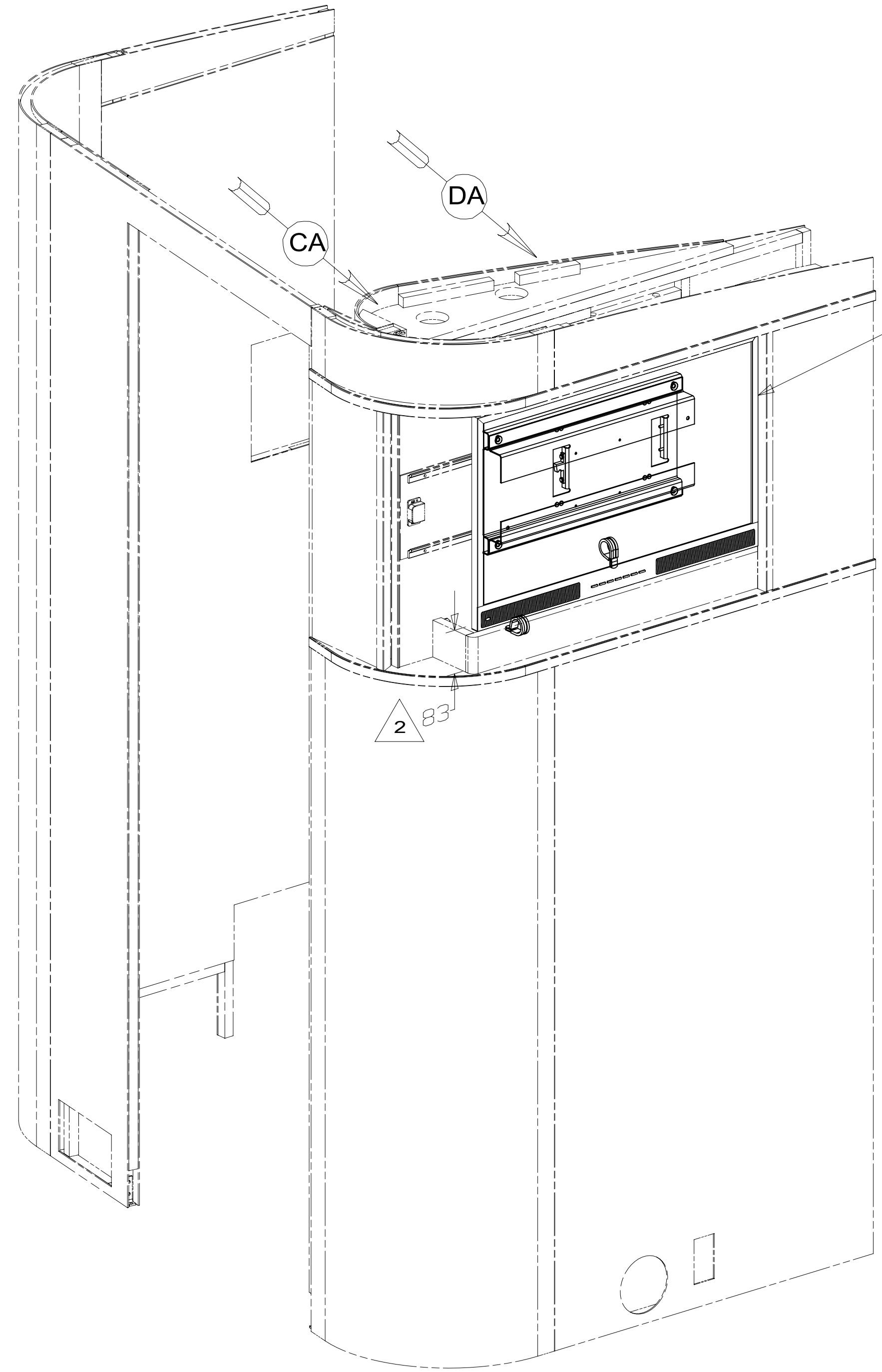
FIRST USED	
14 H-SERIES	
DO NOT SCALE DRAWING	
TITLE: WIRING INSTL-TV/DVD	
SHEET 2	PART NO 182741 REV

FOR ELECTRICAL TORQUE SPECIFICATIONS SEE DWG NO. 128783-01-000

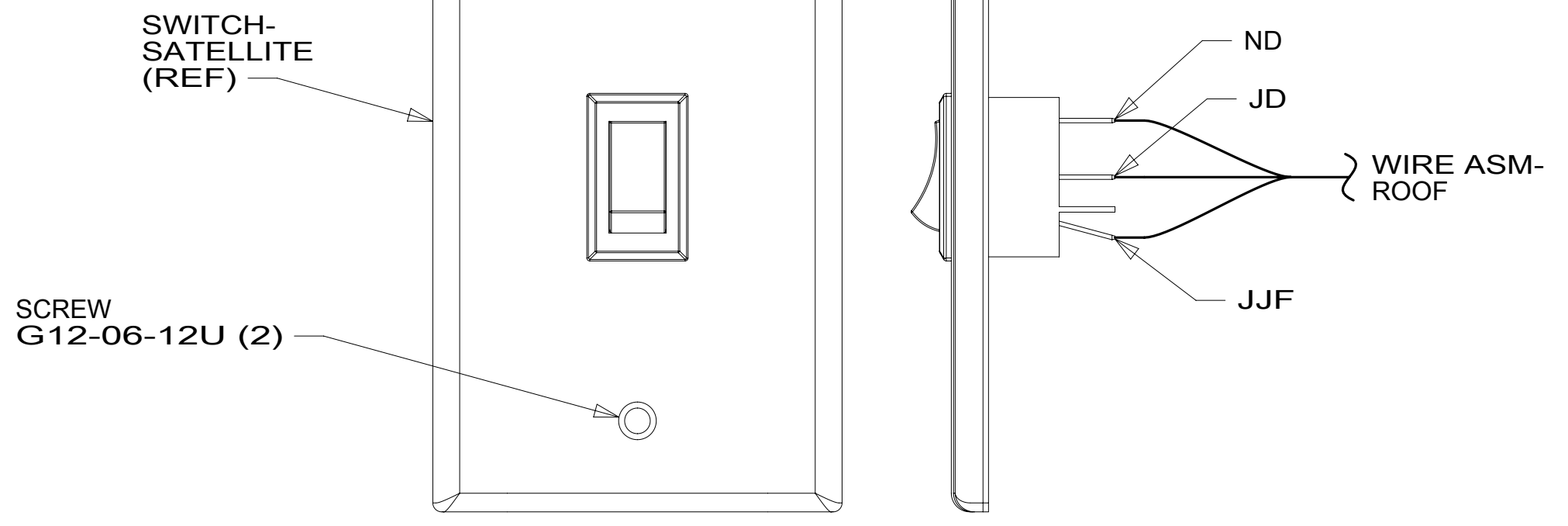
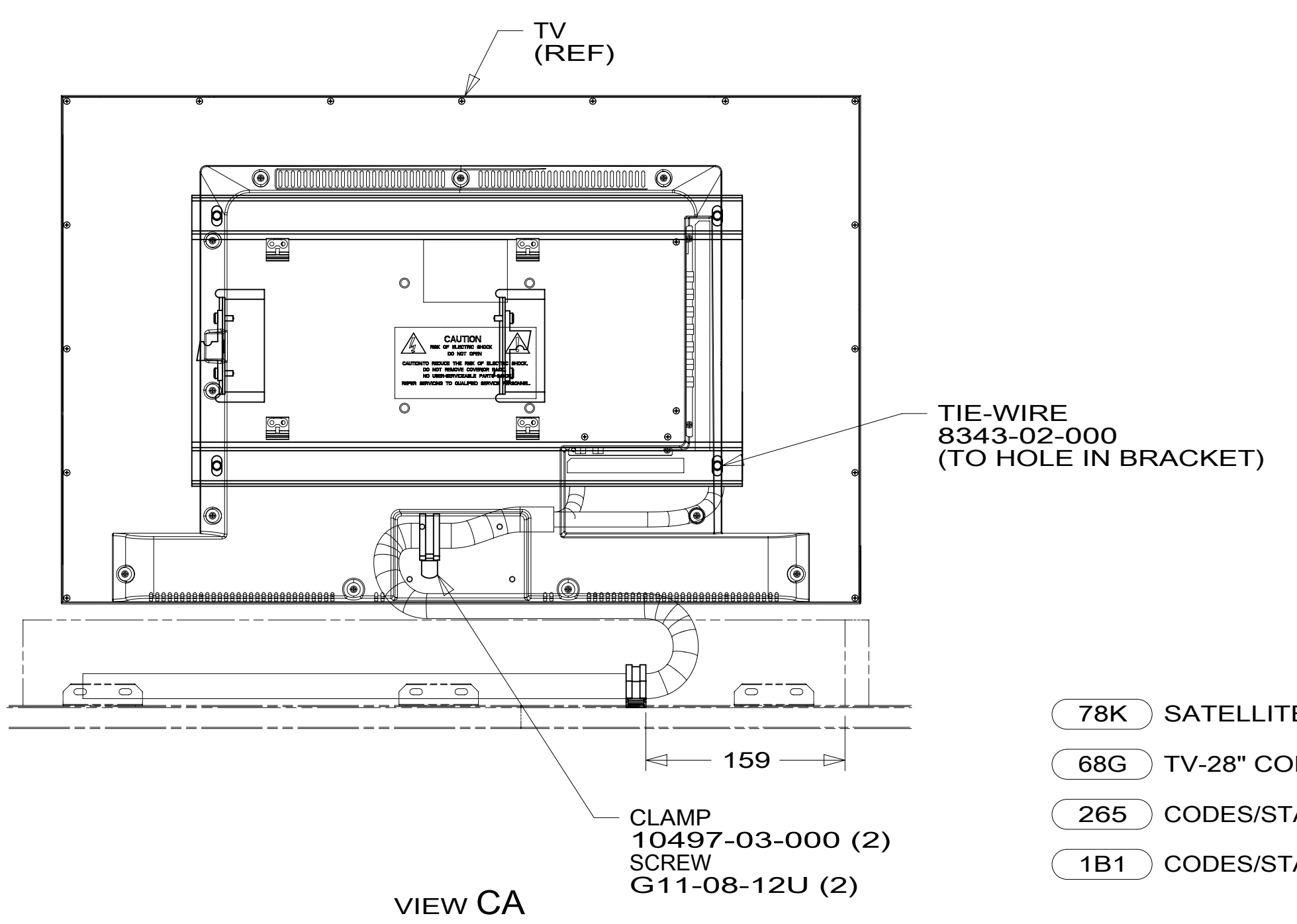
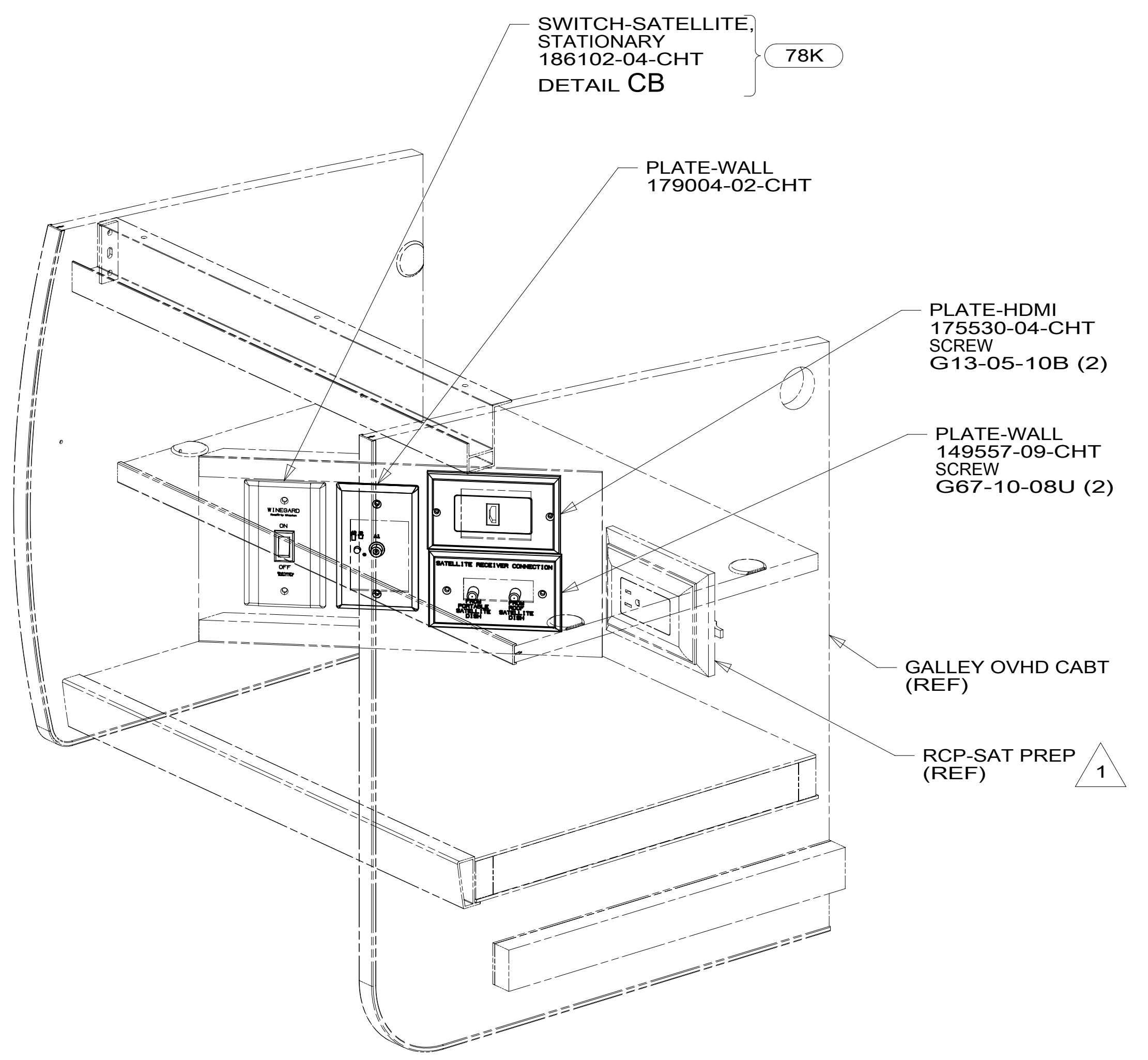
FOR ELECTRICAL CALLOUTS SEE DWG NO. 121339-01-000



182741



TV-28" FLAT
 PANEL LED,HDTV
 191159-01-000
 BRACKET ASM-TV
 177831-01-XXX
 BRACKET-TV
 179661-04-CHT
 (LOWER)
 179661-05-CHT
 (UPPER)
 SCREW
 0MG02B-04-012 (4)
 NUT
 D39-04-00B (4)
 WIRE ASM-POWER,12V
 170909-02-000



- NOTES:
- 3 MOUNT TO THE END OF THE TV.
 - 2 DIMENSION BETWEEN THE SHELF AND THE BOTTOM OF THE TV.
 - 1 SEE WIRING INSTL-BODY,110V FOR ADDITIONAL INFORMATION.

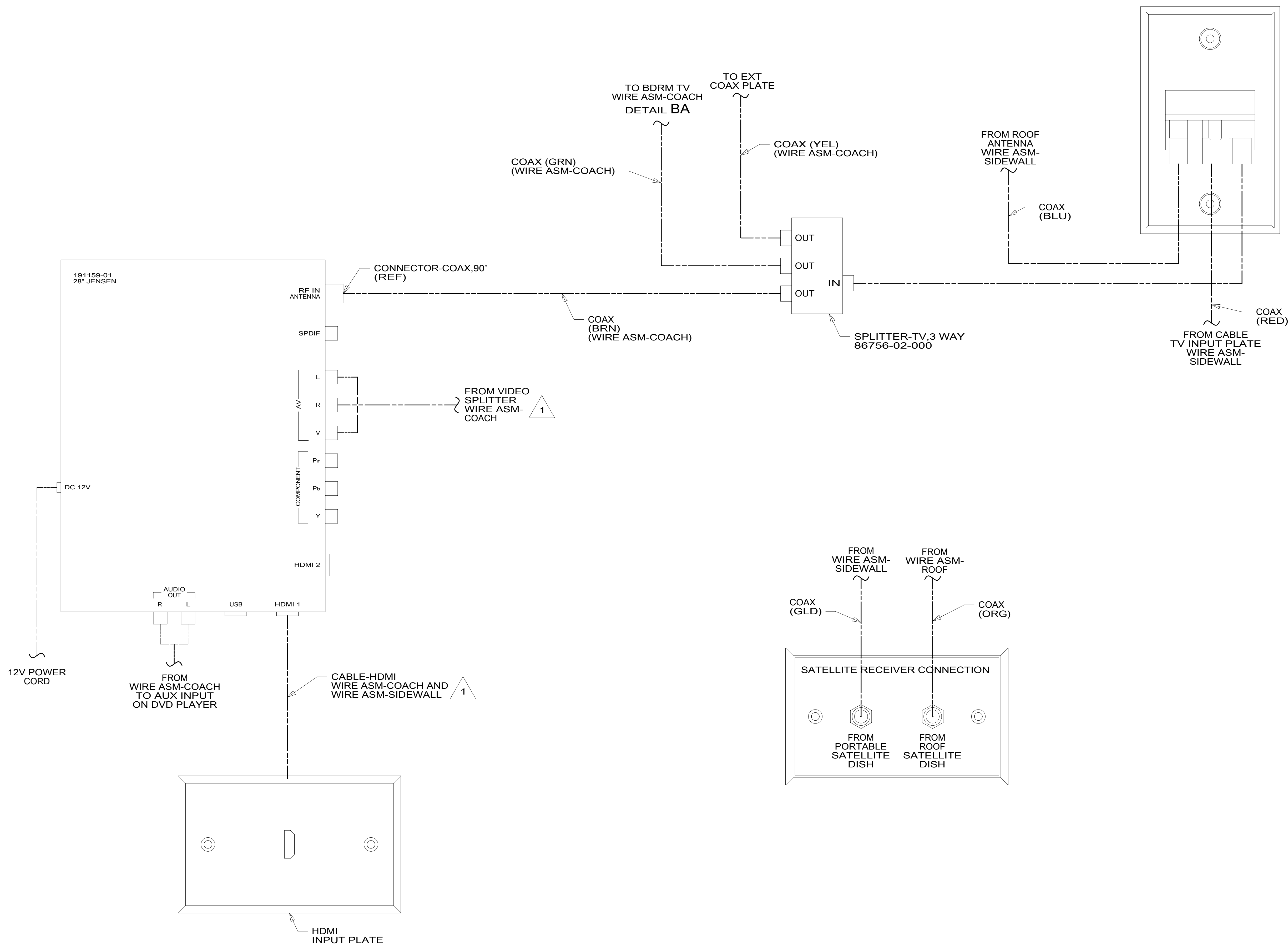
FOR ELECTRICAL
 TORQUE
 SPECIFICATIONS
 SEE DWG NO.
 128783-01-000

FOR ELECTRICAL
 CALLOUTS
 SEE DWG NO.
 121339-01-000

- 78K SATELLITE TV SYSTEM AUTO
- 68G TV-28" COLOR,STEREO W/REMOTE
- 265 CODES/STANDARDS-CSA/CMVSS
- 1B1 CODES/STANDARDS USA

1B1	265	61A
FIRST USED		
14 H-SERIES		
DO NOT SCALE DRAWING		
TITLE: WIRING INSTL-TV/DVD		
SHEET 3	PART NO 182741	REV
1 09-Dec-2014		

182741



1 SEE WIRING INSTL-BODY, 12V FOR ADDITIONAL INFORMATION.

DETAIL DA

FOR ELECTRICAL TORQUE SPECIFICATIONS SEE DWG NO. 128783-01-000

X-X FOR ELECTRICAL CALLOUTS SEE DWG NO. 121339-01-000

- 68G TV-28" COLOR, STEREO W/REMOTE
- 265 CODES/STANDARDS-CSA/CMVSS
- 1B1 CODES/STANDARDS USA

1B1 265 61A

FIRST USED **14 H-SERIES**

DO NOT SCALE DRAWING

TITLE: **WIRING INSTL-TV/DVD**

SHEET 4 PART NO **182741** REV

182741

8 7 6 5 4 3 2 1

D

D

C

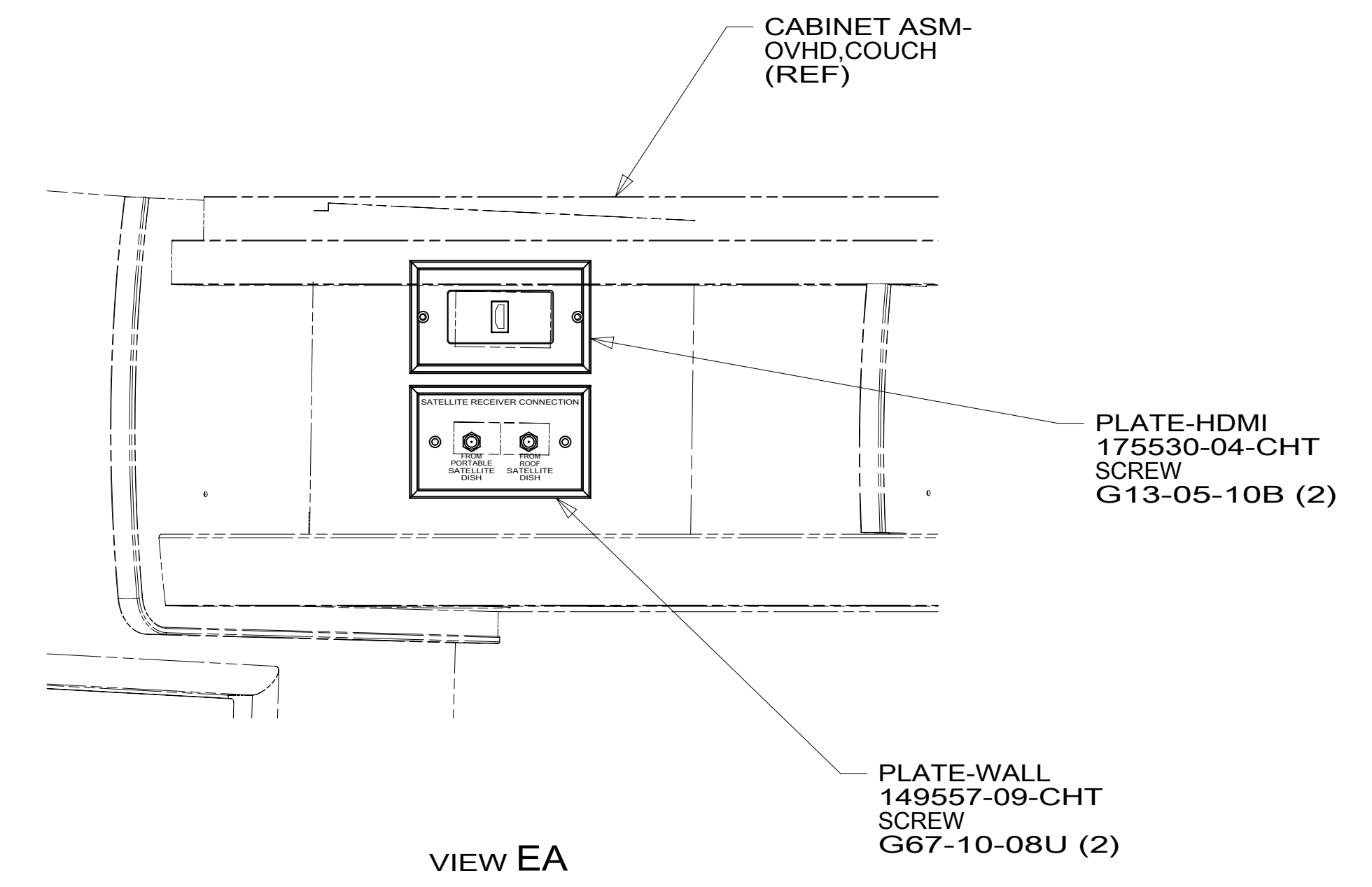
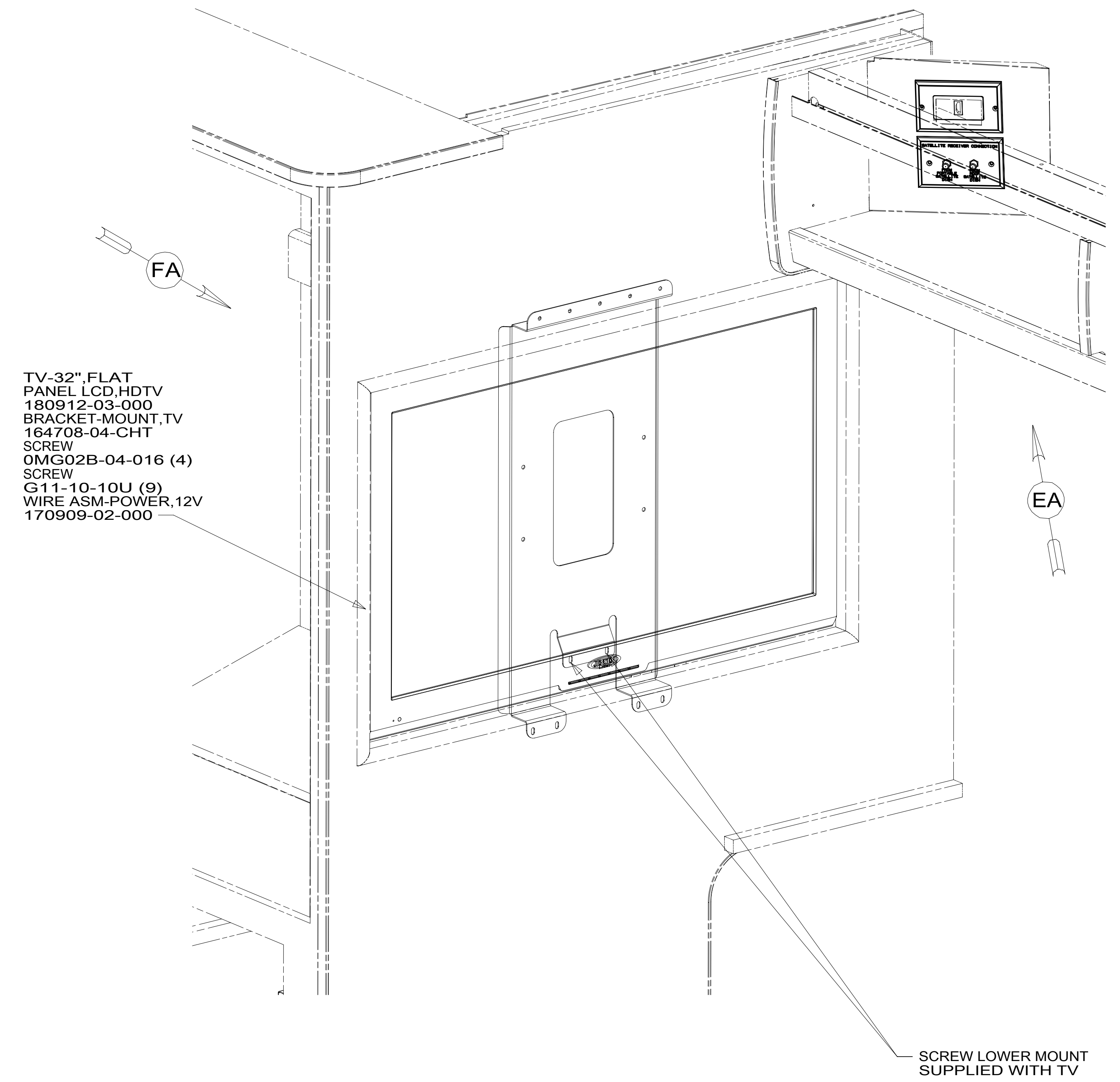
C

B

B

A

A



FOR ELECTRICAL TORQUE SPECIFICATIONS SEE DWG NO. 128783-01-000

X-X FOR ELECTRICAL CALLOUTS SEE DWG NO. 121339-01-000

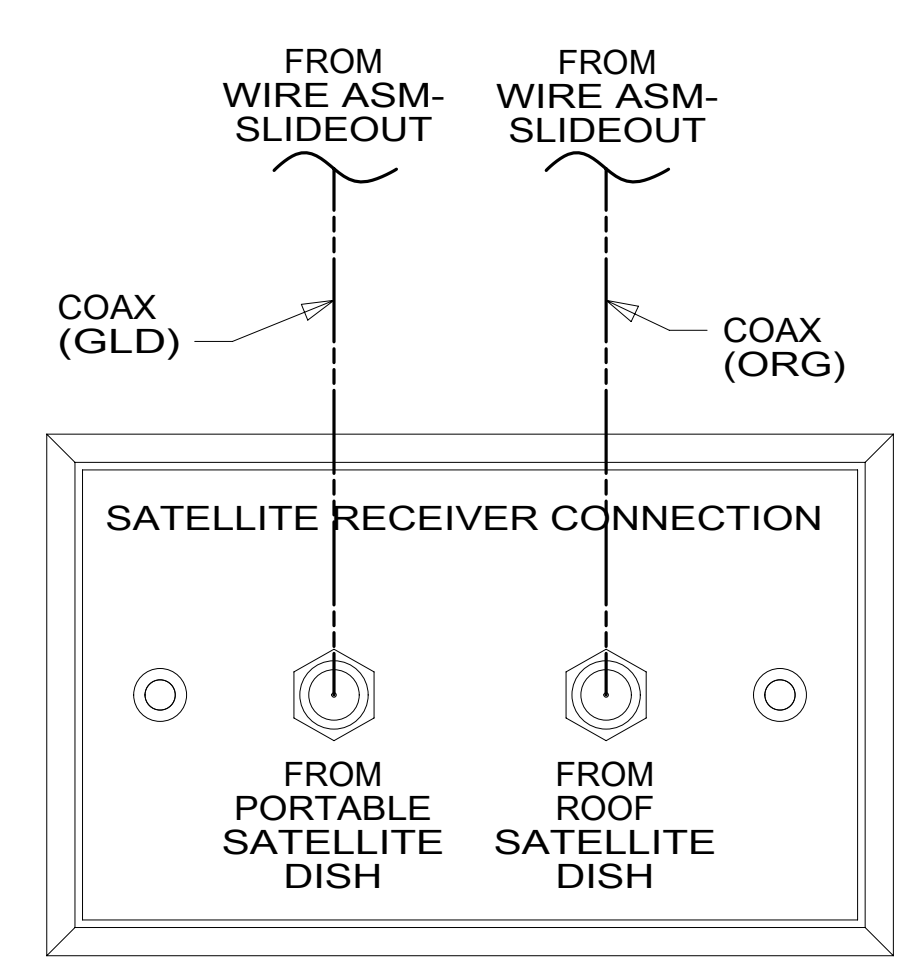
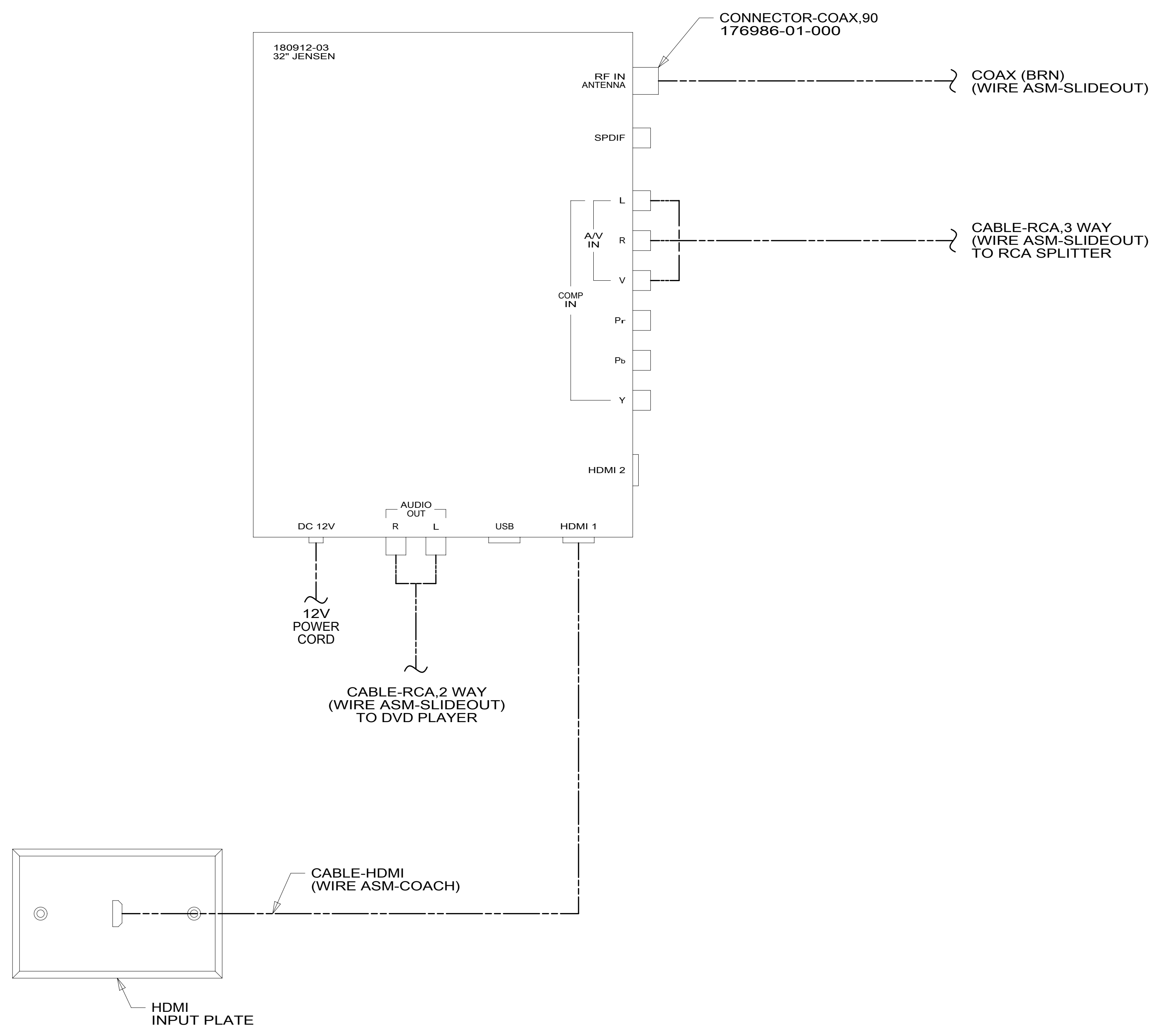
- 265 CODES/STANDARDS-CSA/CMVSS
- 1B1 CODES/STANDARDS USA
- 1B1 265

FIRST USED	
14 H-SERIES	
DO NOT SCALE DRAWING	
TITLE: WIRING INSTL-TV/DVD	
SHEET 5	PART NO 182741 REV
1 09-Dec-2014	

8 7 6 5 4 3 2 1



182741



- NOTES:
- 2 TAPE UNUSED YELLOW CIRCUIT BACK TO CABLE ASM.
 - 1 SEE WIRING INSTL-BODY, 12V FOR ADDITIONAL INFORMATION.

DETAIL FA

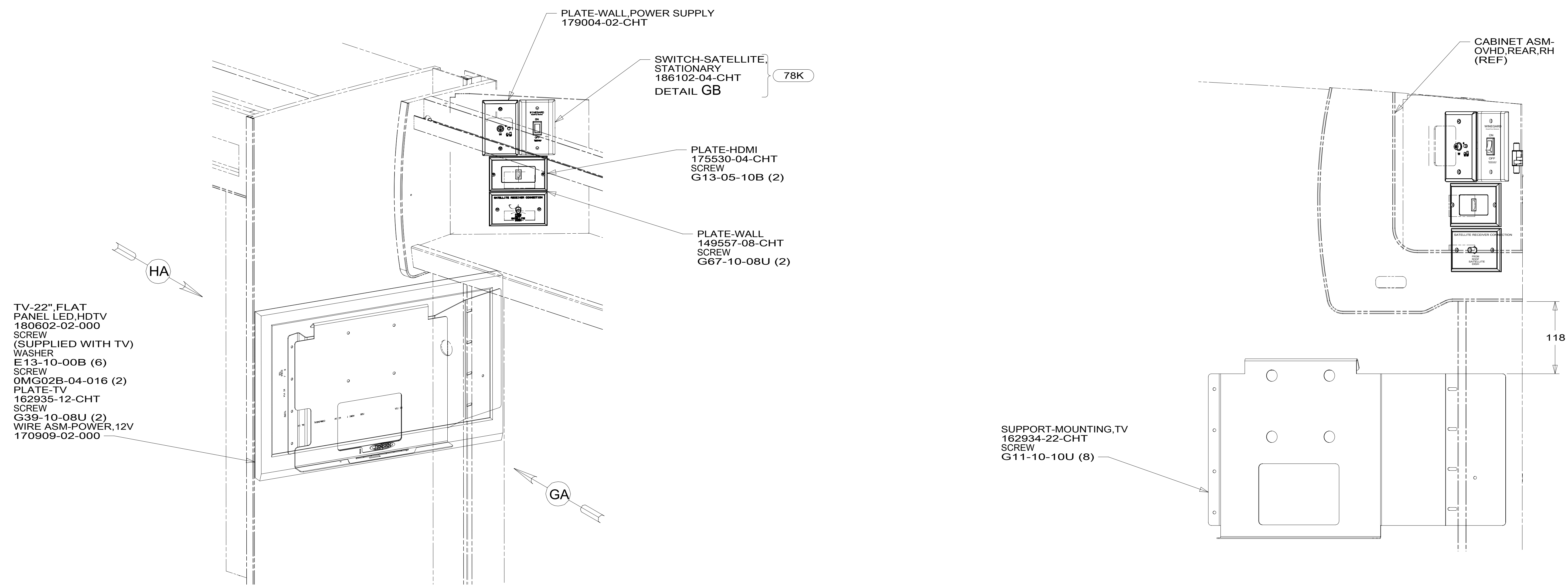
FOR ELECTRICAL TORQUE SPECIFICATIONS SEE DWG NO. 128783-01-000

FOR ELECTRICAL CALLOUTS SEE DWG NO. 121339-01-000

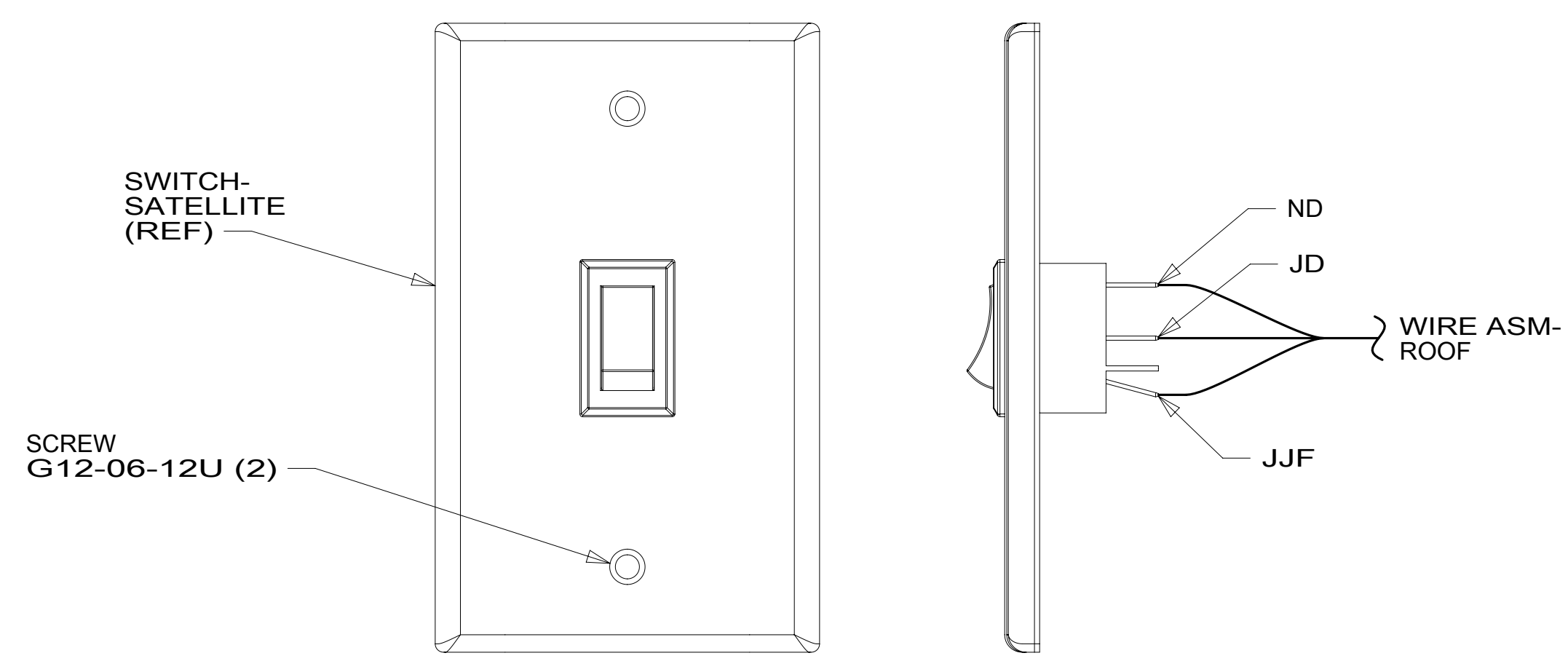
- 265 CODES/STANDARDS-CSA/CMVSS
- 1B1 CODES/STANDARDS USA
- 1B1 265

FIRST USED	
14 H-SERIES	
DO NOT SCALE DRAWING	
TITLE: WIRING INSTL-TV/DVD	
SHEET 6	PART NO 182741 REV
1 09-Dec-2014	

182741



VIEW GA



DETAIL GB

FOR ELECTRICAL TORQUE SPECIFICATIONS SEE DWG NO. 128783-01-000

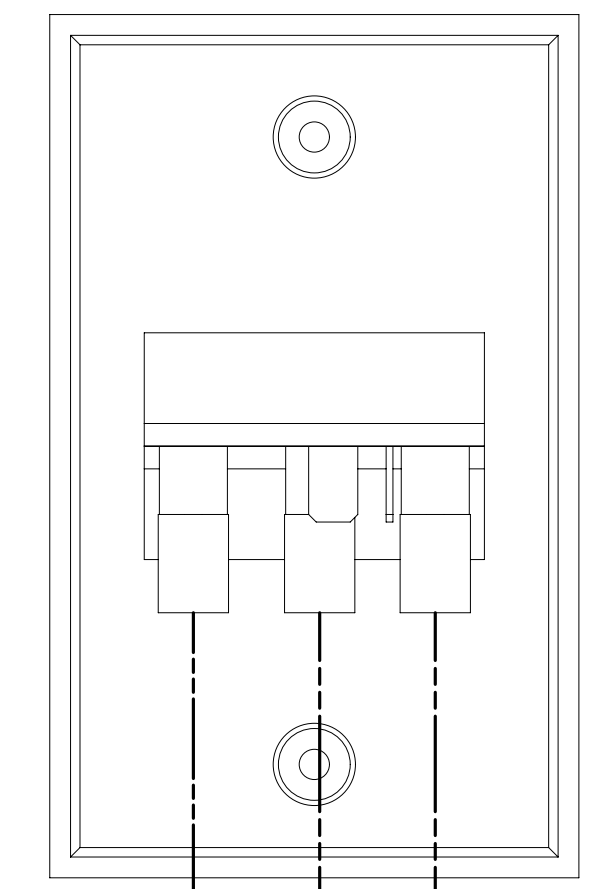
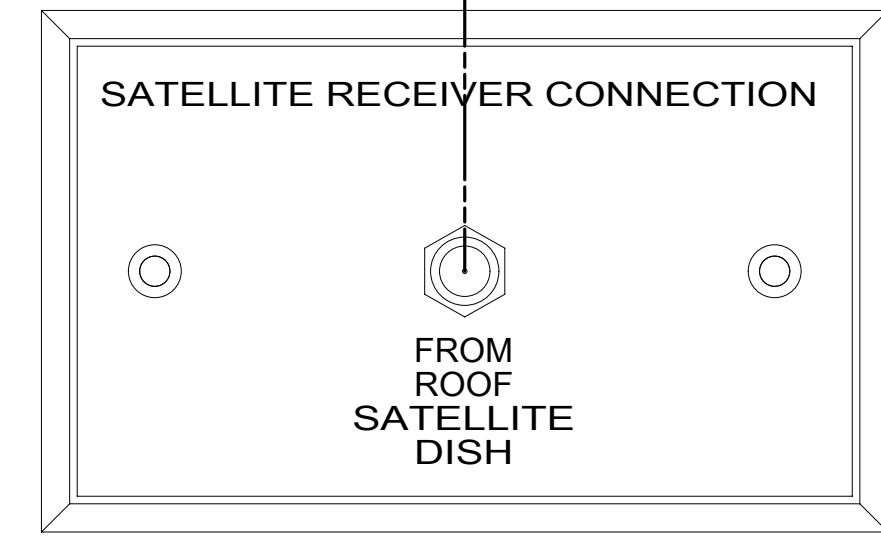
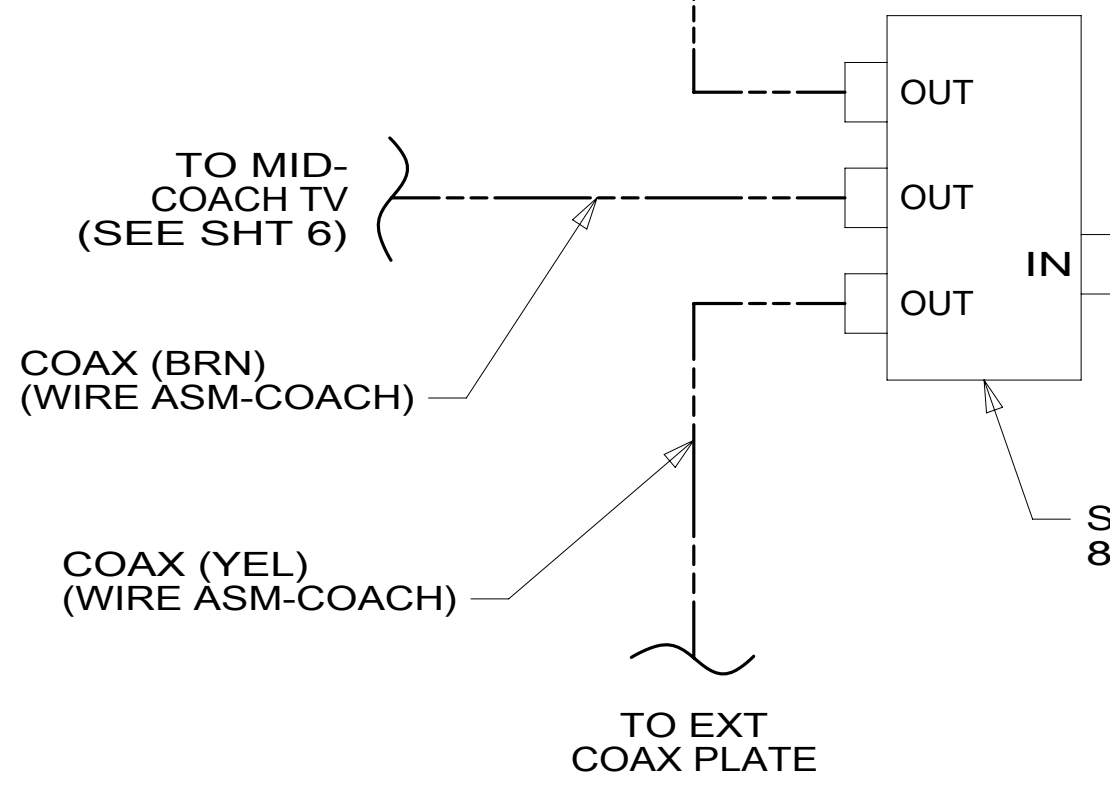
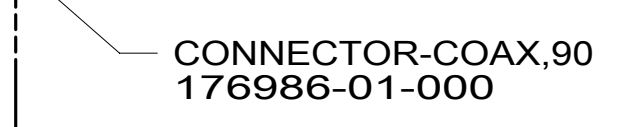
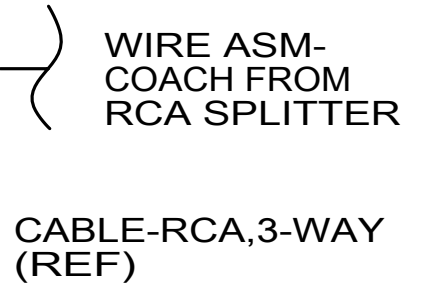
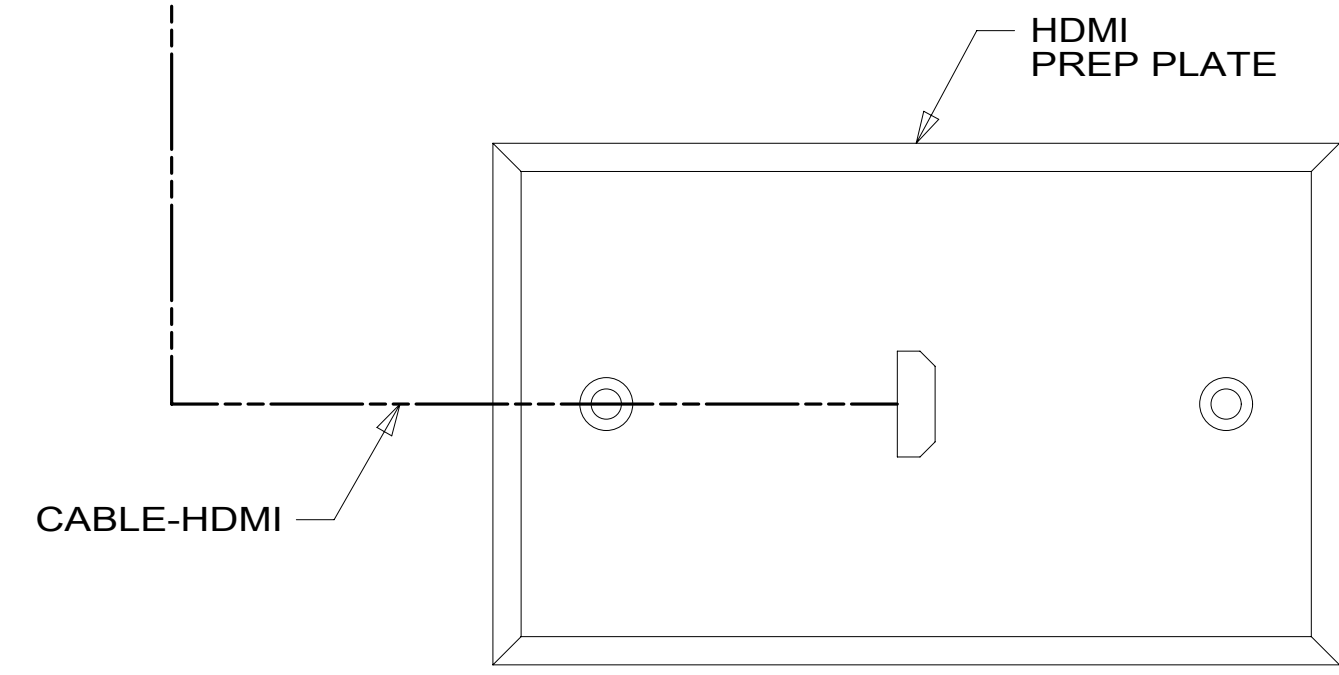
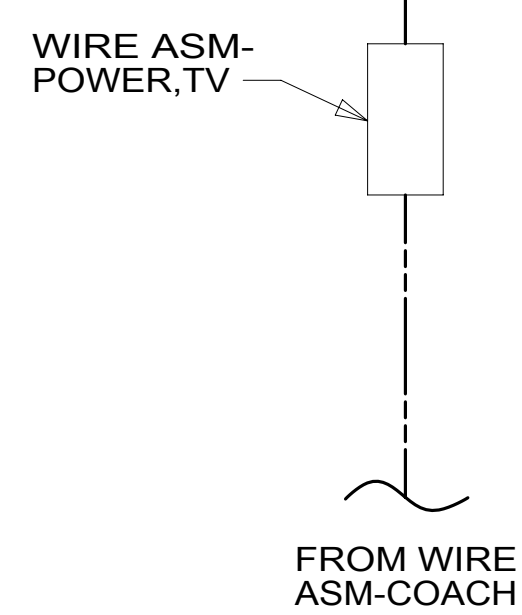
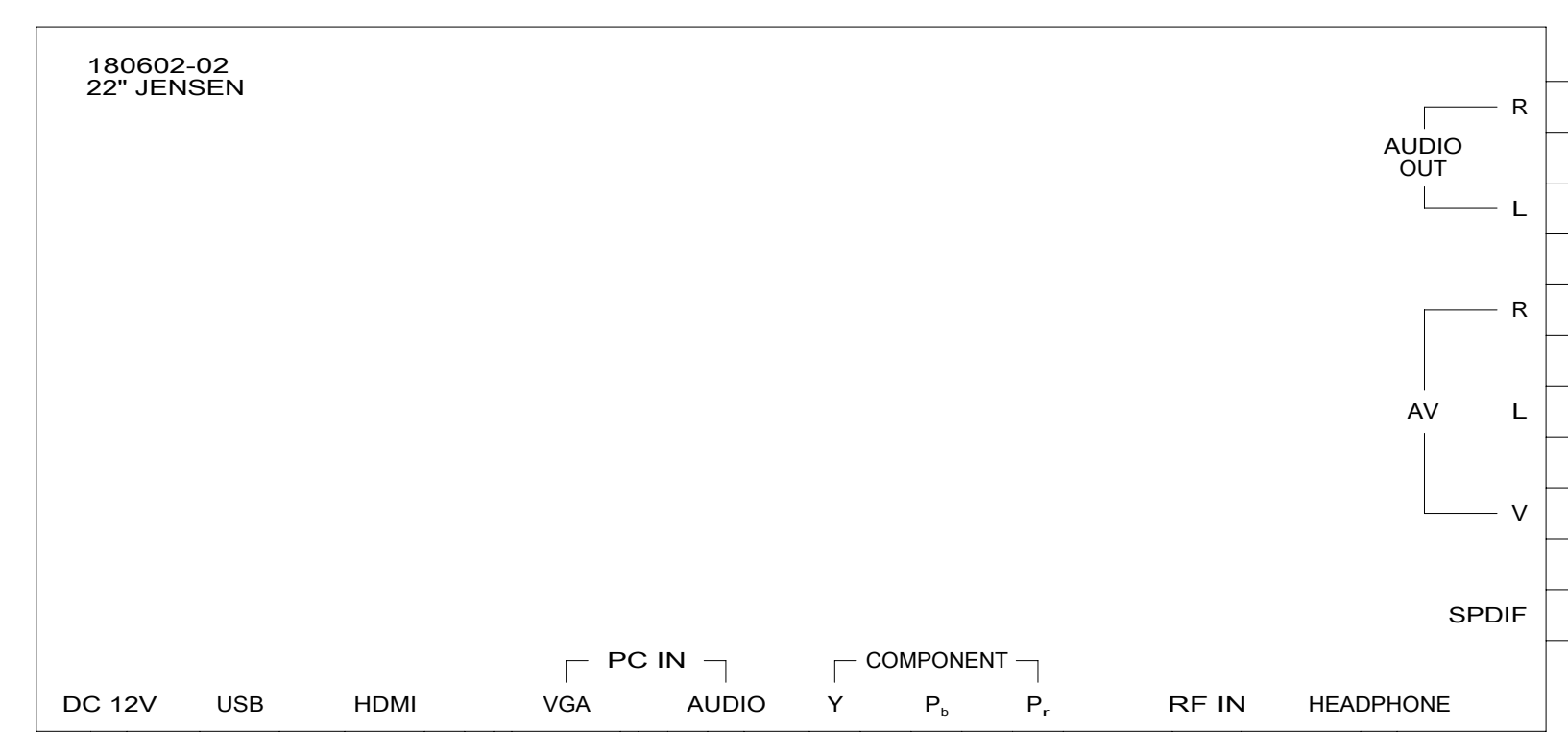
FOR ELECTRICAL CALLOUTS SEE DWG NO. 121339-01-000

- 78K SATELLITE TV SYSTEM AUTO
- 265 CODES/STANDARDS-CSA/CMVSS
- 1B1 CODES/STANDARDS USA

1B1 265

FIRST USED	
14 H-SERIES	
DO NOT SCALE DRAWING	
TITLE: WIRING INSTL-TV/DVD	
SHEET 7	PART NO. 182741 REV

182741



- 68B TV (REAR)DC 22" LCD W/REMOTE
- 265 CODES/STANDARDS-CSA/CMVSS
- 1B1 CODES/STANDARDS USA

1B1 265 68B

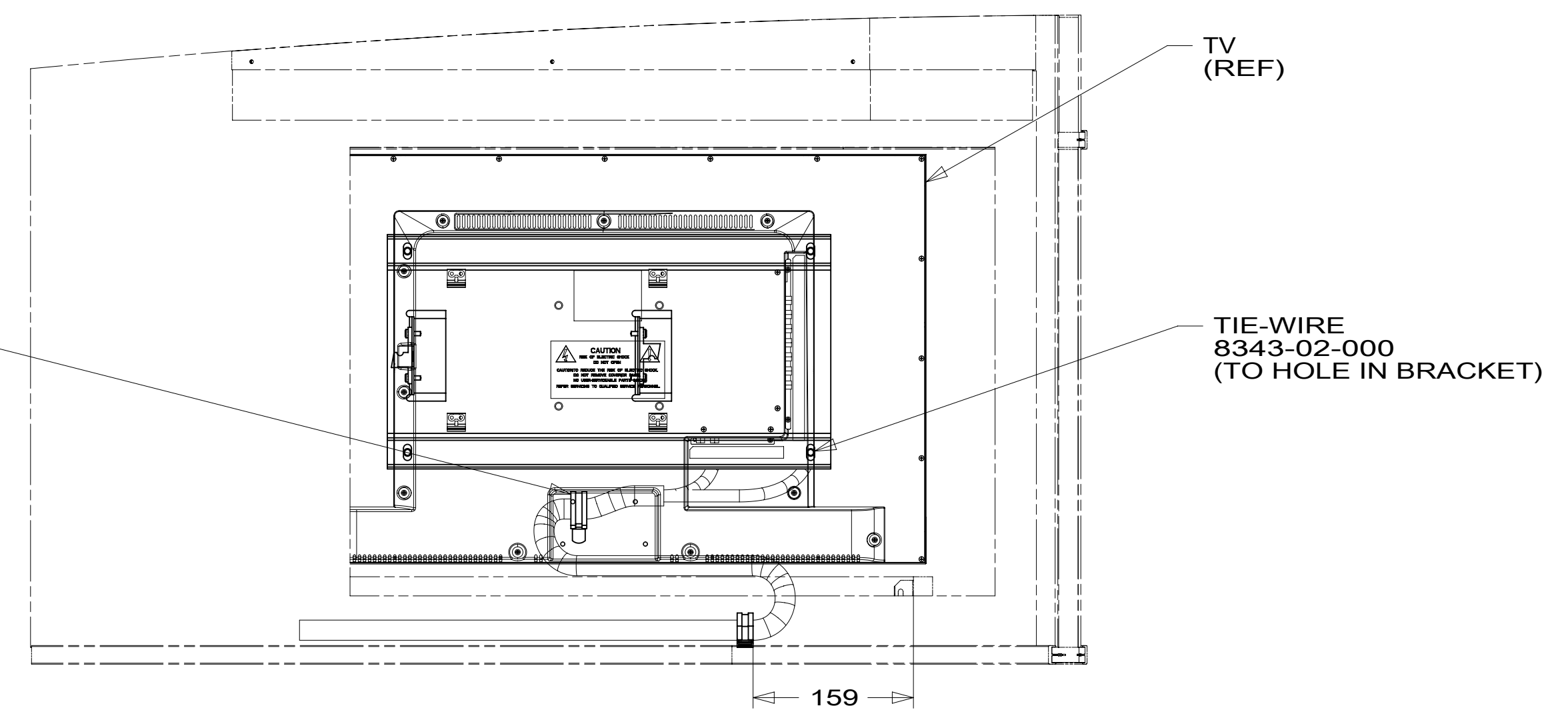
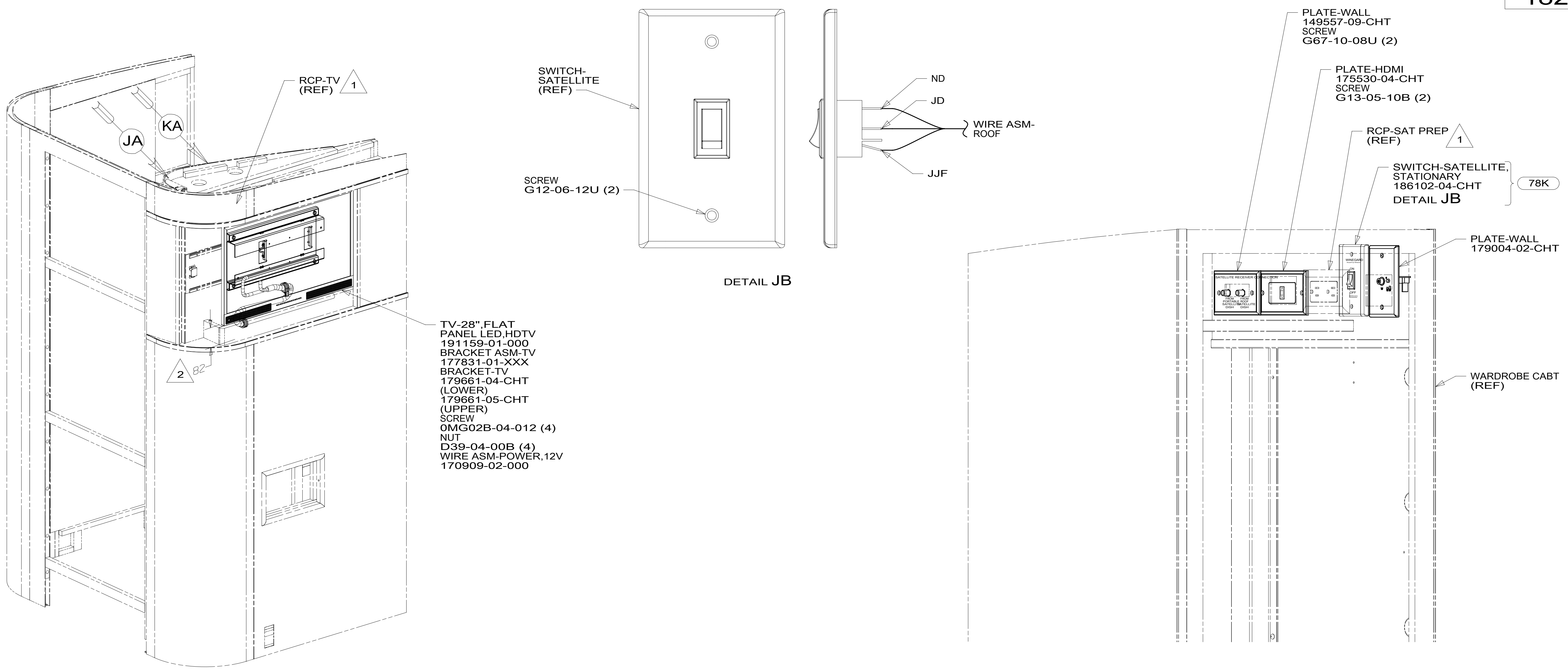
FIRST USED	
14 H-SERIES	
DO NOT SCALE DRAWING	
TITLE: WIRING INSTL-TV/DVD	
SHEET 8	PART NO 182741 REV

FOR ELECTRICAL TORQUE SPECIFICATIONS SEE DWG NO. 128783-01-000

FOR ELECTRICAL CALLOUTS SEE DWG NO. 121339-01-000

DETAIL HA

182741



VIEW JA

- NOTES:
- 3 MOUNT TO THE END OF THE TV.
 - 2 DIMENSION BETWEEN THE SHELF AND THE BOTTOM OF THE TV.
 - 1 SEE WIRING INSTL-BODY, 110V FOR ADDITIONAL INFORMATION.

- 78K SATELLITE TV SYSTEM AUTO
- 68G TV-28" COLOR, STEREO W/REMOTE
- 265 CODES/STANDARDS-CSA/CMVSS
- 1B1 CODES/STANDARDS USA

1B1 265 61A

FIRST USED

14 H-SERIES

DO NOT SCALE DRAWING

TITLE: WIRING INSTL-TV/DVD

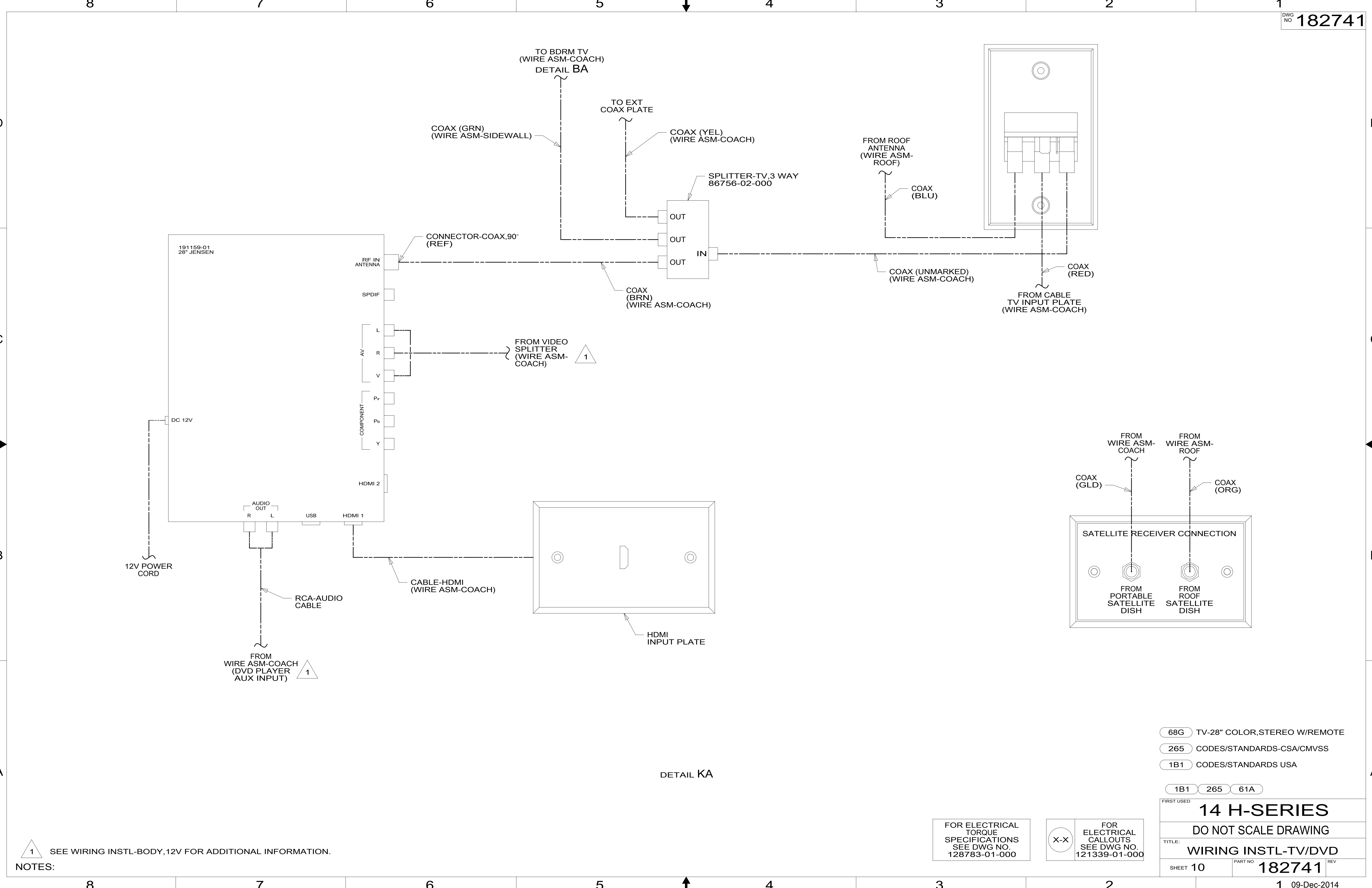
SHEET 9 PART NO 182741 REV

1 09-Dec-2014

FOR ELECTRICAL TORQUE SPECIFICATIONS SEE DWG NO. 128783-01-000

FOR ELECTRICAL CALLOUTS SEE DWG NO. 121339-01-000

182741



1 SEE WIRING INSTL-BODY, 12V FOR ADDITIONAL INFORMATION.

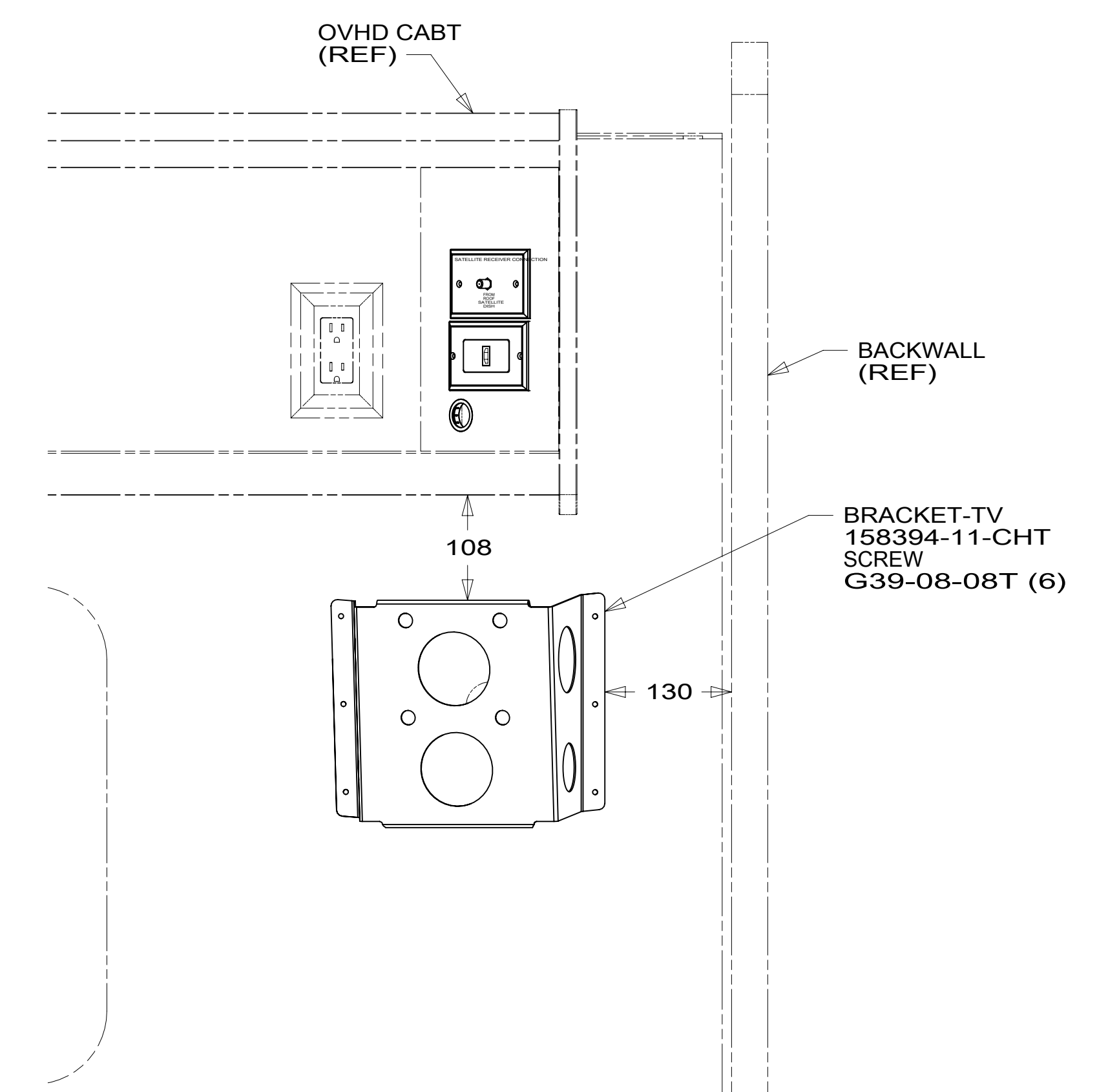
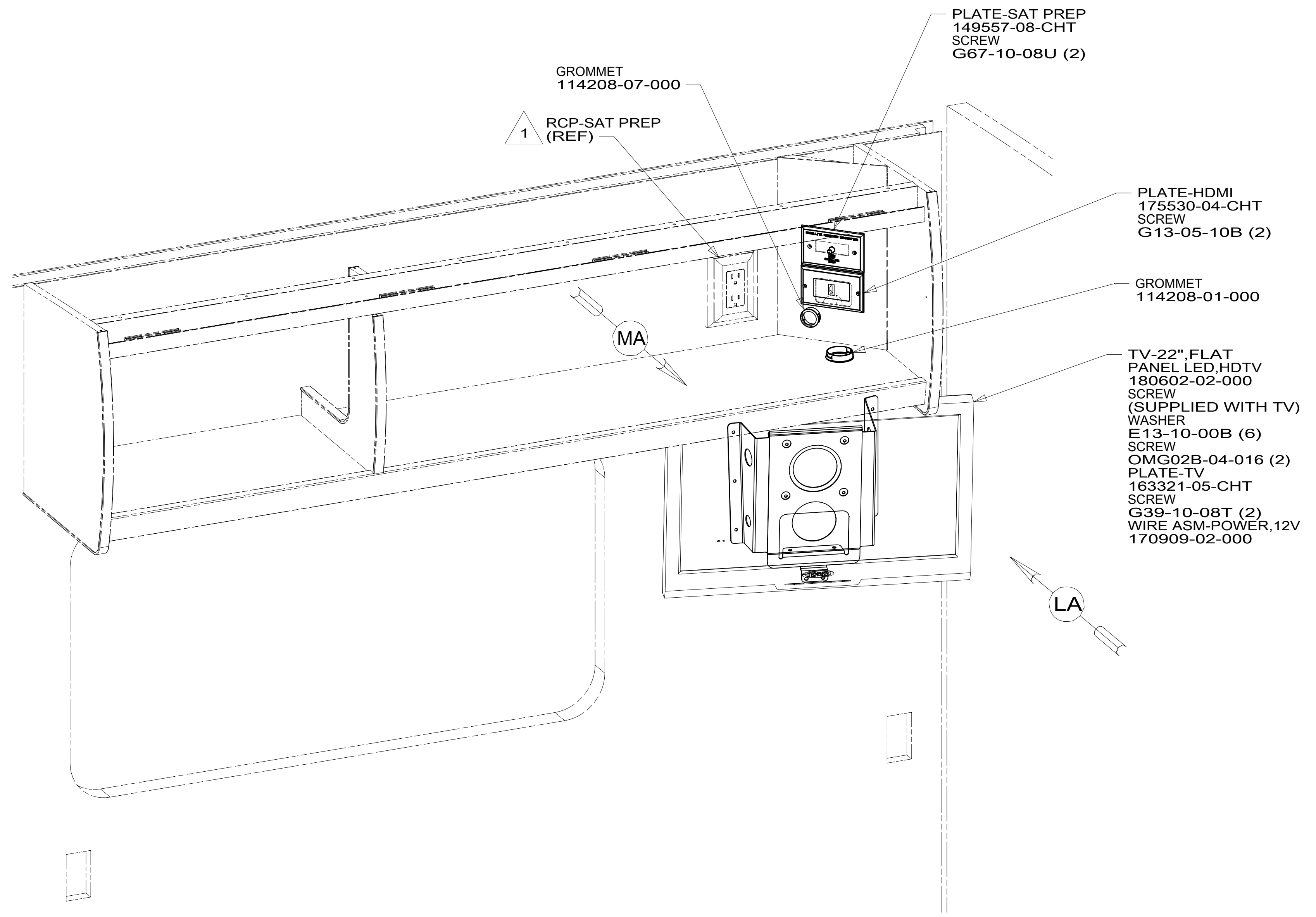
FOR ELECTRICAL TORQUE SPECIFICATIONS SEE DWG NO. 128783-01-000

X-X FOR ELECTRICAL CALLOUTS SEE DWG NO. 121339-01-000

- 68G TV-28" COLOR, STEREO W/REMOTE
- 265 CODES/STANDARDS-CSA/CMVSS
- 1B1 CODES/STANDARDS USA

1B1	265	61A
FIRST USED		
14 H-SERIES		
DO NOT SCALE DRAWING		
TITLE: WIRING INSTL-TV/DVD		
SHEET 10	PART NO 182741	REV
1 09-Dec-2014		

182741



VIEW LA
(TV NOT SHOWN)

1 SEE WIRING INSTL-BODY, 110V FOR ADDITIONAL INFORMATION.

FOR ELECTRICAL TORQUE SPECIFICATIONS SEE DWG NO. 128783-01-000

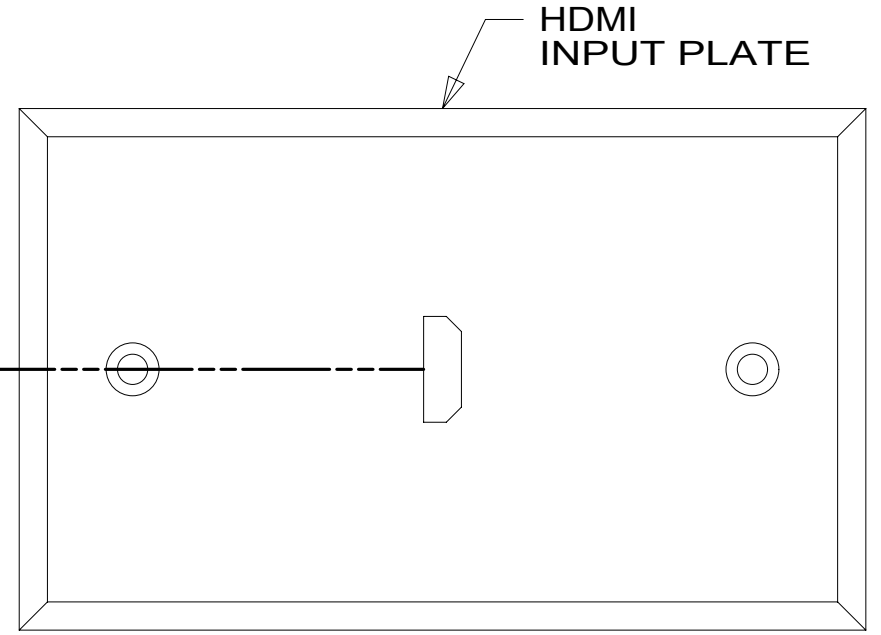
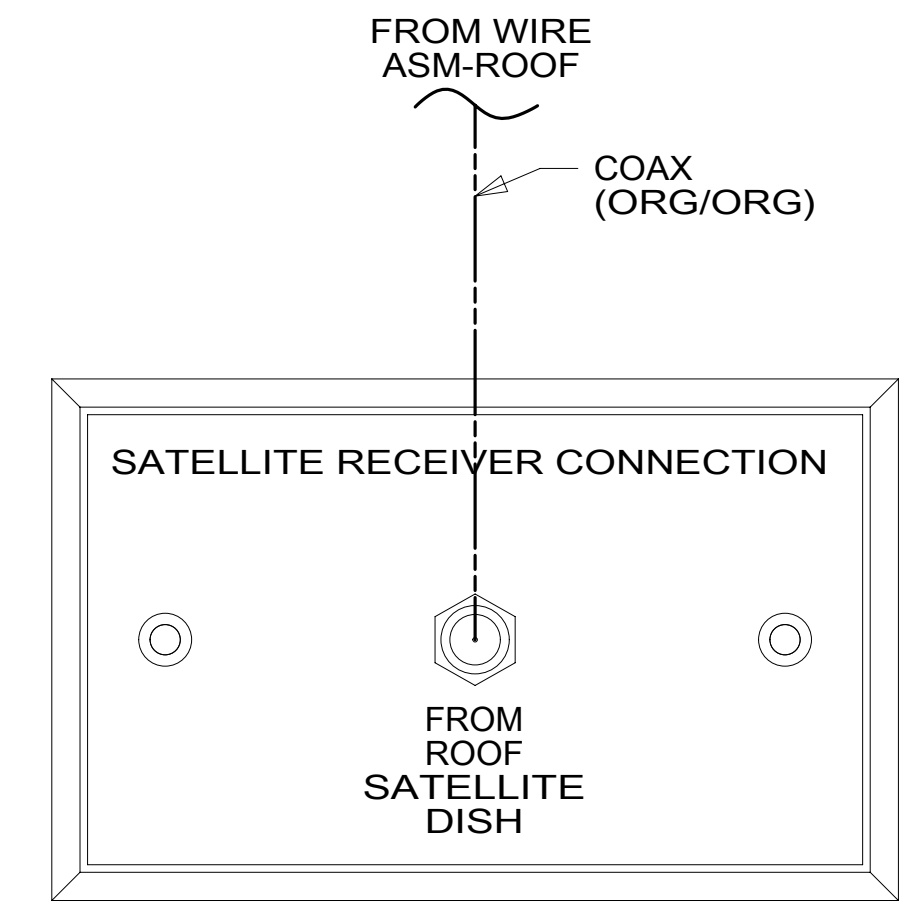
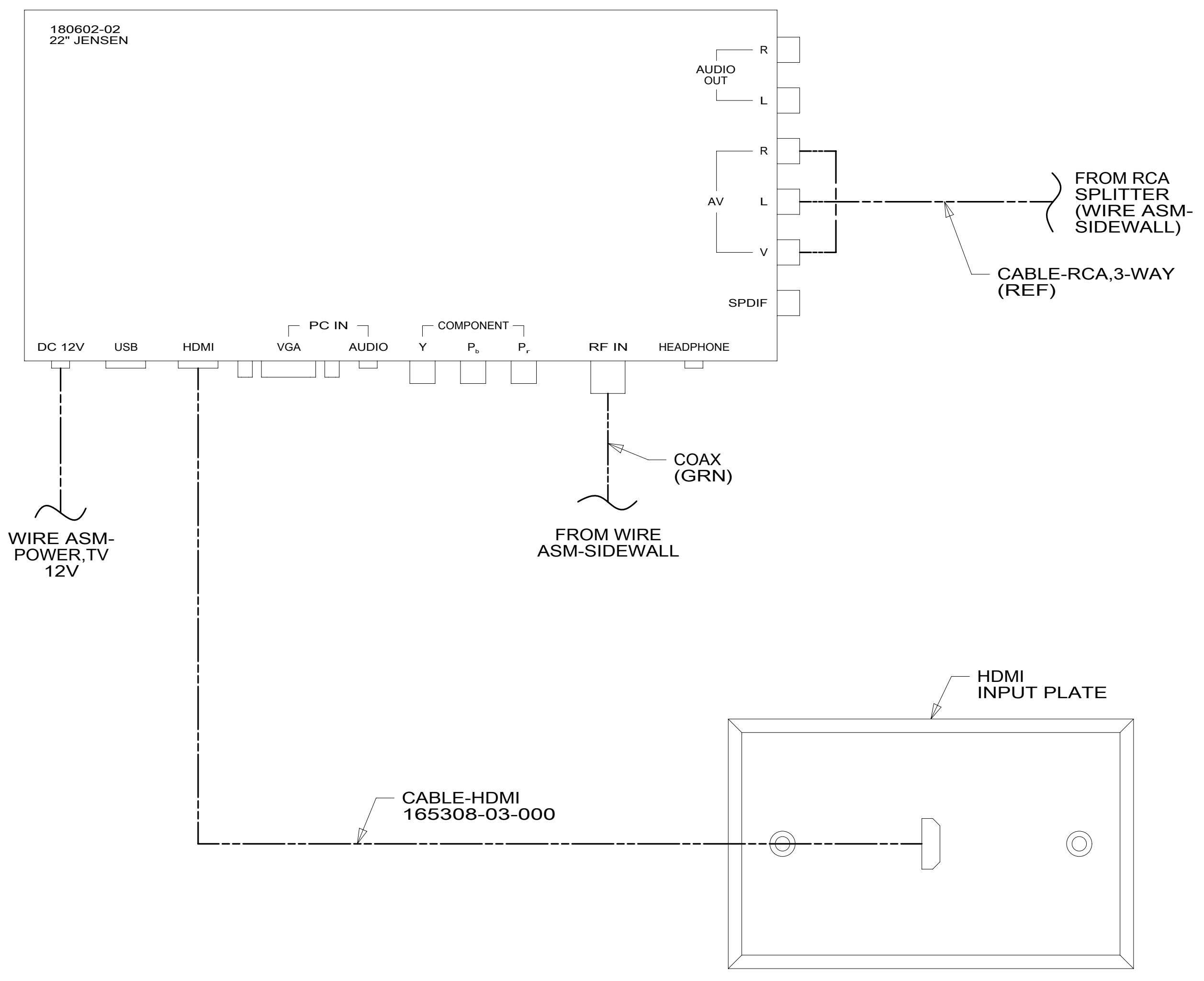
FOR ELECTRICAL CALLOUTS SEE DWG NO. 121339-01-000

- 68B TV (REAR)DC 22" LCD W/REMOTE
- 265 CODES/STANDARDS-CSA/CMVSS
- 1B1 CODES/STANDARDS USA

1B1 265 68B

FIRST USED	
14 H-SERIES	
DO NOT SCALE DRAWING	
TITLE: WIRING INSTL-TV/DVD	
SHEET 11	PART NO 182741 REV
1 09-Dec-2014	

182741



DETAIL MA

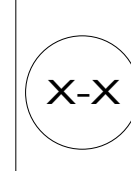
- 68B TV (REAR)DC 22" LCD W/REMOTE
- 265 CODES/STANDARDS-CSA/CMVSS
- 1B1 CODES/STANDARDS USA

1B1 265 68B

FIRST USED	14 H-SERIES	
	DO NOT SCALE DRAWING	
TITLE:	WIRING INSTL-TV/DVD	
SHEET 12	PART NO 182741	REV

FOR ELECTRICAL TORQUE SPECIFICATIONS SEE DWG NO. 128783-01-000

FOR ELECTRICAL CALLOUTS SEE DWG NO. 121339-01-000



182741