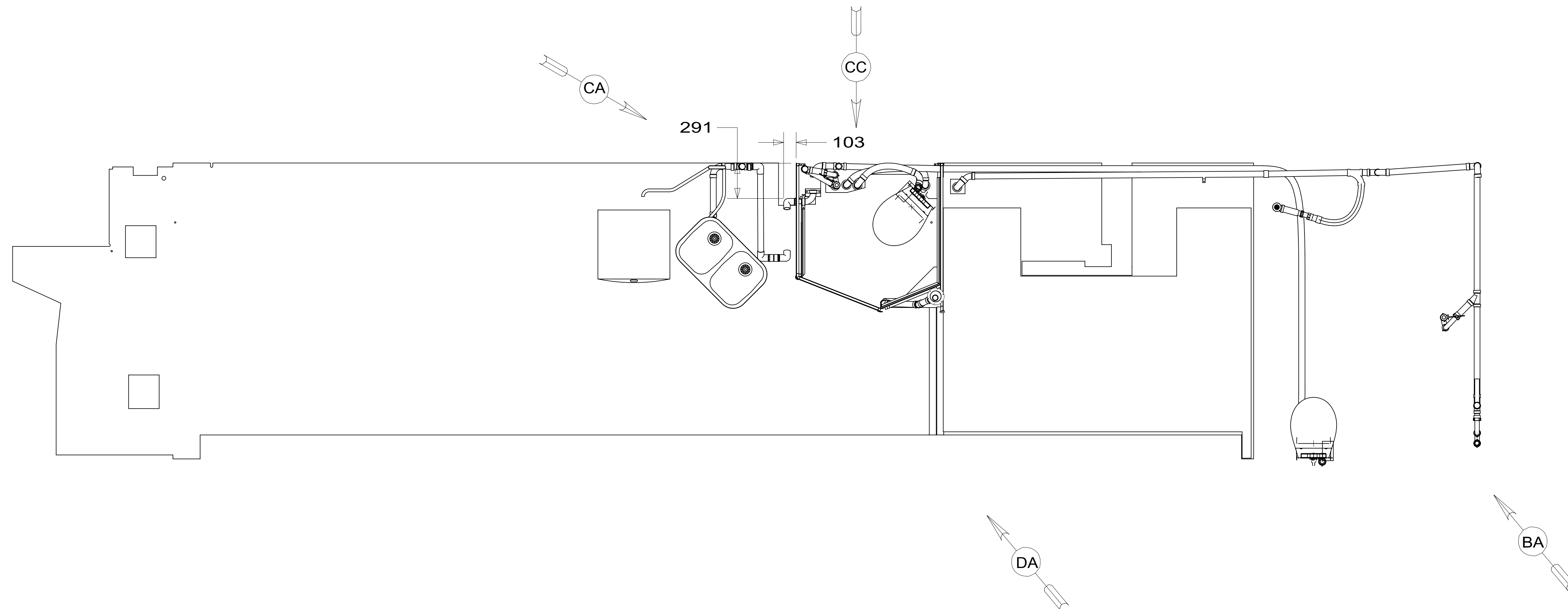


DWG NO	FEATURE	SHOWER	TOILET-MACERATOR
187266-01	9PC R42QL	184184-04-XXX	170062-06-CHT
187266-02	9PA OR 9PC R42QD	184184-02-XXX	170062-01-CHT

RELEASE	REV/DATE	DWG NO	187266
REV ZONE	REVISION RECORD	DATE	DFT-ORIG



12. REQUIRES 5 GALLONS RV ANTIFREEZE 182955-01-000 PER TOILET. FOLLOW TECMA TOILET WINTERIZATION PROCEDURE.
11. GLUE FITTING AFTER CABINET IS INSTALLED.
10. APPLY PRIMER 126427-02-000 AND CEMENT 126427-01-000 BETWEEN ELBOW AND FLEX PIPE.
9. SEE DRAWING 061607 FOR INSTALLATION OF GROMMETS.
8. SECURE DRAINAGE PIPES TO CABINET USING WIRE TIE 108046-02-000, AND SCREW 000G67-10-12U AT INTERVALS OF NOT OF NOT MORE THAN 4 FEET APART.
7. SECURE VENT PIPE TO GROMMET WITH CLAMP 062401-02-000.
6. VENT PIPE MUST PROJECT 51 MIN AND 64 MAX ABOVE ROOF FOR PROPER FIT AND FUNCTION. ADD S-1 (116666-01-CHT SEAL-VENT PIPE) AROUND PIPE ON ROOF BEFORE VENT CAP IS INSTALLED.
5. SEAL AROUND SHOWER WITH SILICONE.
4. USE SMOOTH PLUMBERS PUTTY 167459-01-000 TO SEAL STRAINER (0.2 PER STRAINER).
3. ALL PIPE AND FITTINGS TO BE ASSEMBLED WITH SOLVENT 004020-01-000 (USA), 004020-02-000 (CAN)
2. SLOPE OF TRAP ARM MUST BE 6 PER 305 mm.
1. SLOPE OF HORIZONTAL PIPING TO BE MINIMUM OF 3 PER 305 mm.

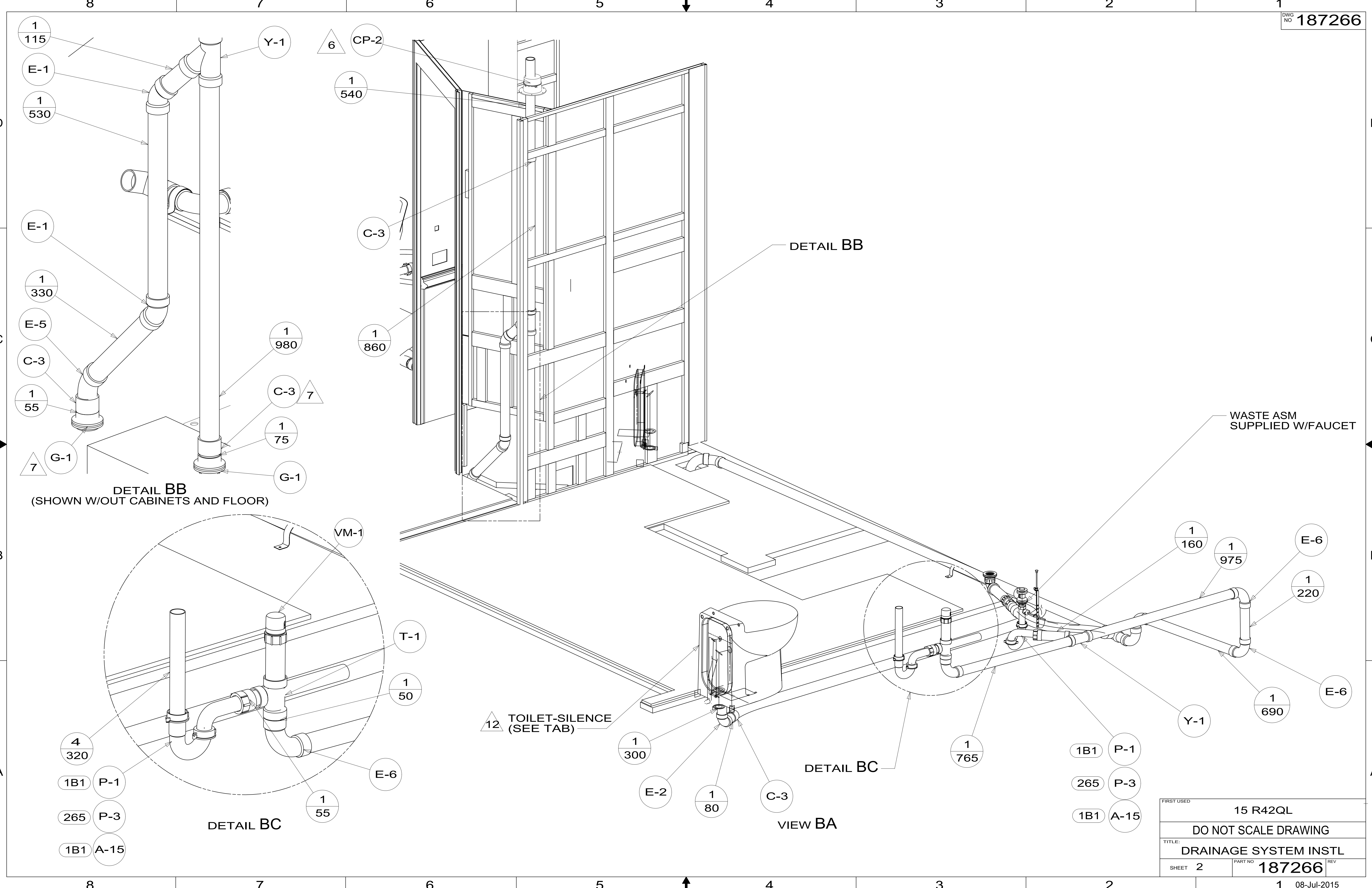
- 9PC TAILGATE PACKAGE
- 9PA W/O TAILGATE PACKAGE
- 1B1 CODES/STANDARDS USA
- 265 CODES/STDS-CSA,CMVSS

WINNEBAGO INDUSTRIES, INC. COPYRIGHT 2014

DFT-ORIG	ORIG. DATE
CHKR	ALL DIMENSIONS ARE IN MILLIMETERS
P.E.	
M.E.	FIRST USED
DSNR	15 R42QL
UNSPECIFIED TOLERANCES ARE:	
WHOLE DIM (X)	: 3
ONE-PLACE (X.X)	: 1.5
TWO-PLACE (X.XX)	: 0.50
ANGLE	: 1°
THIRD ANGLE PROJECTION	
DO NOT SCALE DRAWING	REFER TO ES0018 FOR FASTENER TIGHTENING GUIDELINES
TITLE: DRAINAGE SYSTEM INSTL	
SHEET 1 OF 4	PART NO 187266 REV
REF:	1 08-Jul-2015

FOR DRAINAGE CALLOUTS SEE DWG NO 116229-01-000

*187266 *A



DETAIL BB
(SHOWN W/OUT CABINETS AND FLOOR)

DETAIL BB

WASTE ASM
SUPPLIED W/FAUCET

DETAIL BC

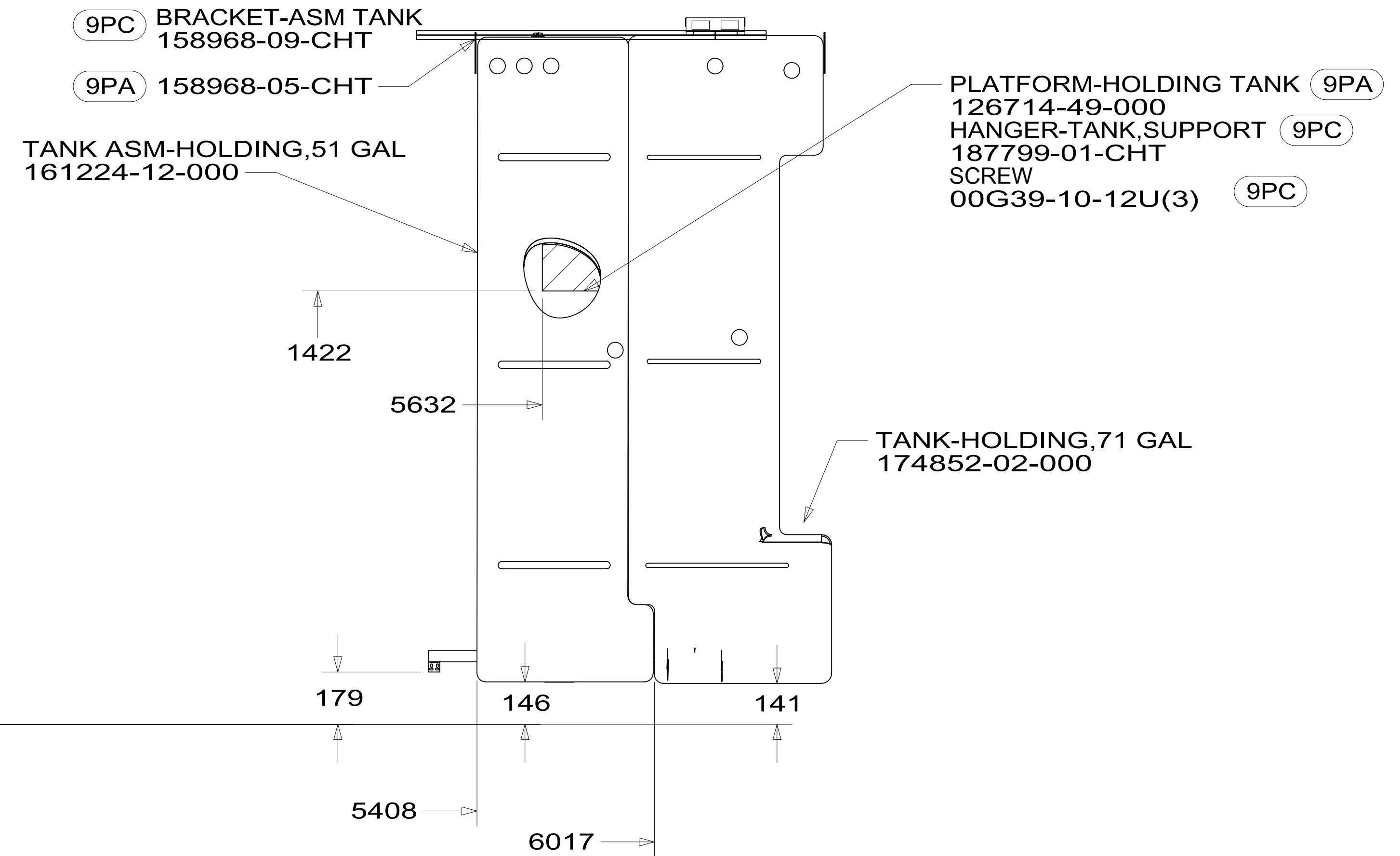
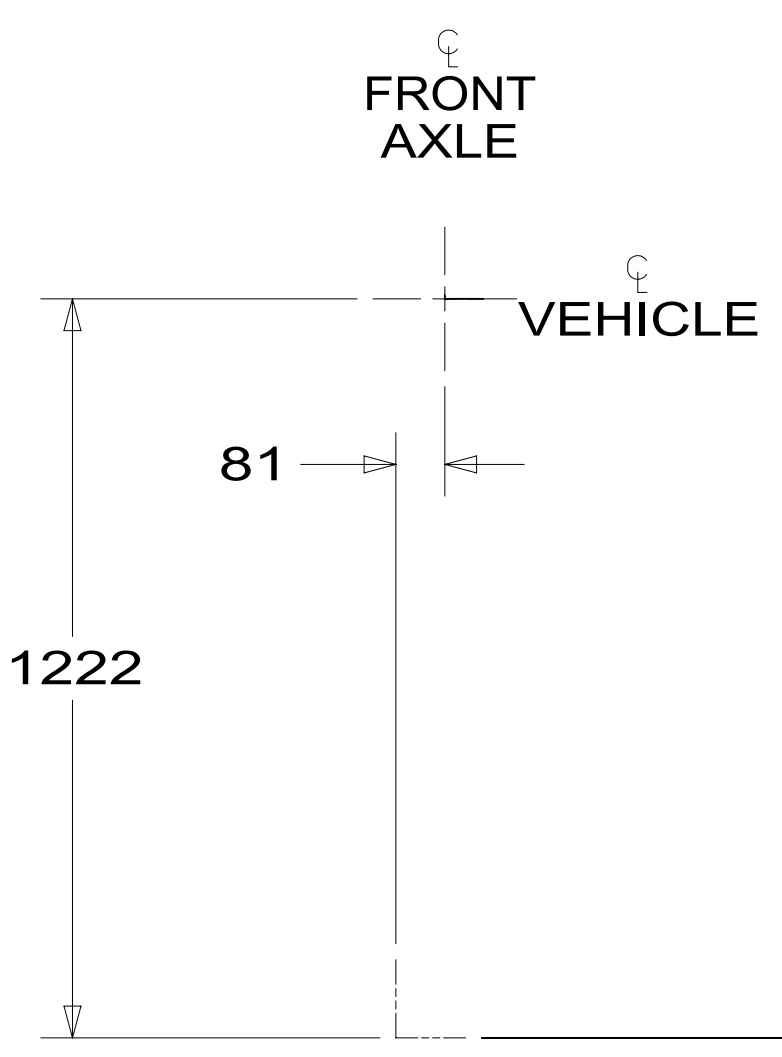
DETAIL BC

VIEW BA

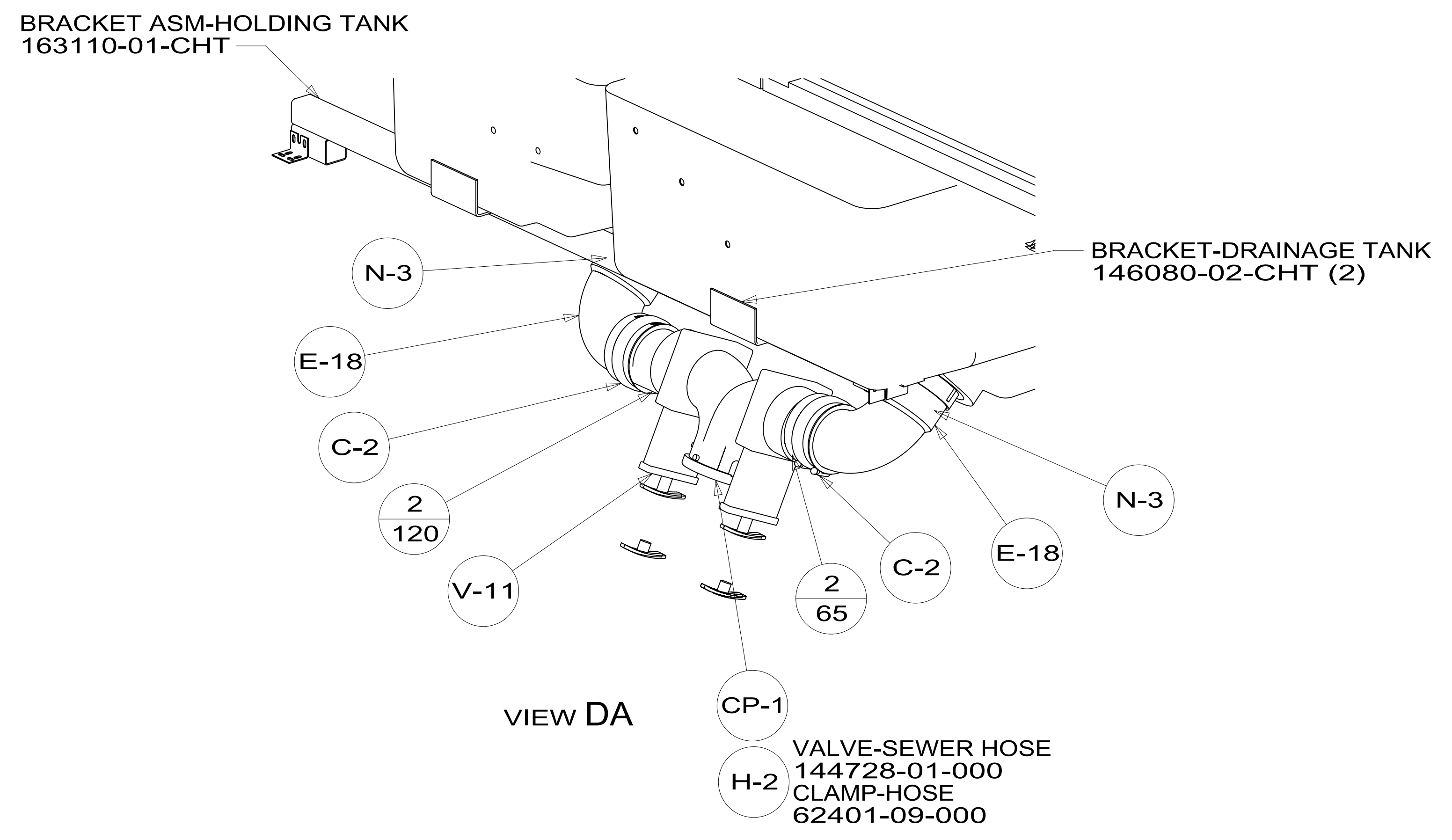
12 TOILET-SILENCE
(SEE TAB)

FIRST USED	15 R42QL	
TITLE:	DO NOT SCALE DRAWING	
	DRAINAGE SYSTEM INSTL	
SHEET 2	PART NO 187266	REV
		08-Jul-2015

187266

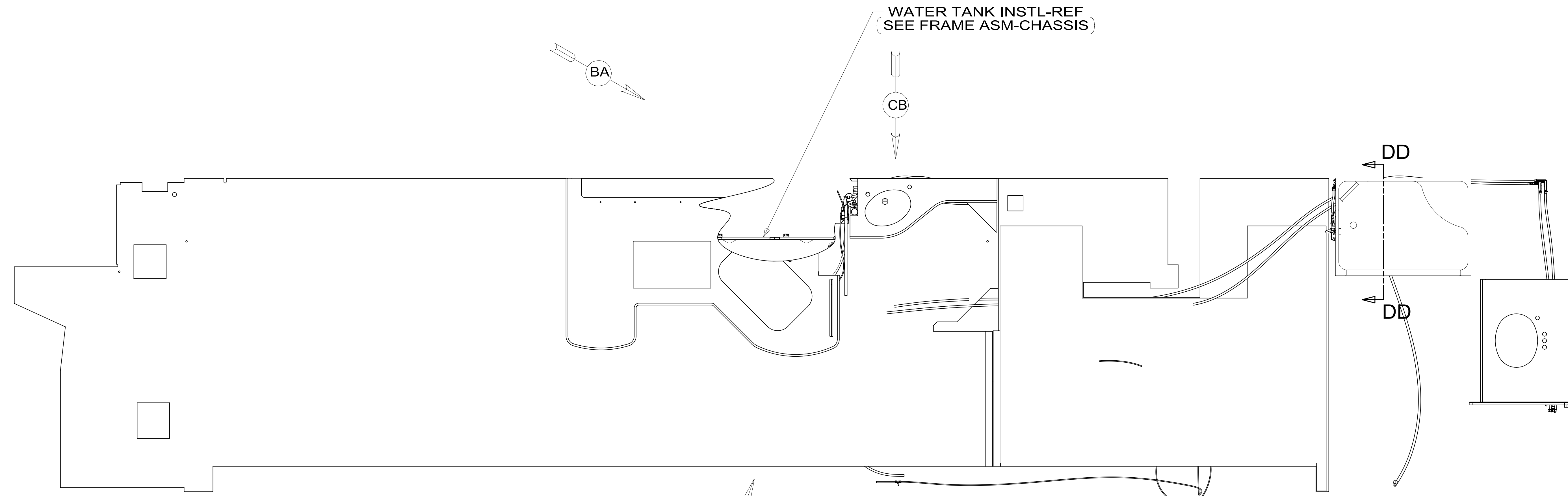


TOP VIEW SHOWING TANKS AND DRAINS



FIRST USED	15 R42QL	
TITLE:	DO NOT SCALE DRAWING	
SHEET 4	PART NO 187266	REV
		1 08-Jul-2015

*187266 *A



14. FOR INSTALLATION USE SILICON-ADHESIVE 131264-05-CHT. APPLY ON TOP OF PLATE, PLACE COVER ON, AND PUT ADHESIVE AROUND COVER.
13. INSTALL FAUCET WITHOUT BASEPLATE.
12. SEE STYLING SHEETS.
11. REQUIRES 5 GALLONS OF 182955-01-000 ANTIFREEZE FOR WINTERIZATION.
10. VALVE MUST REMAIN OPEN AFTER WATER TEST.
9. FLUSHING SYSTEM REQUIRES 125697-06-000 INSTRUCTION SHEET.
8. ALL CRIMP FITTINGS TO PEX TUBING REQUIRE 1/2" CLAMP 140171-03-000.
7. ALL CRIMP FITTINGS TO PEX TUBING REQUIRE 5/8" CLAMP 140171-04-000.
6. LABEL HOT AND COLD SUPPLY TUBES AND TAPE FITTING TO TUBE BEFORE CABINET SET TO PREVENT MOVEMENT.
5. ADD PIPE WRAP (LADDER SCRAP 110157-02-000) INSULATION.
4. ADD TEFLON TAPE 010405-02-000.
3. ALL TUBING TO BE SECURED AT 1200 INTERVALS MAXIMUM WITH CLAMP 010495-01-000 AND SCREW 000G67-10-12U OR EQUIVALENT.
2. TUBING TO BE INSTALLED WITH SUFFICIENT SLOPE TO PROVIDE DRAINAGE TO NEAREST VALVE.
1. PLASTIC FITTINGS TO BE SEALED WITH SEALANT 084456-01-000.

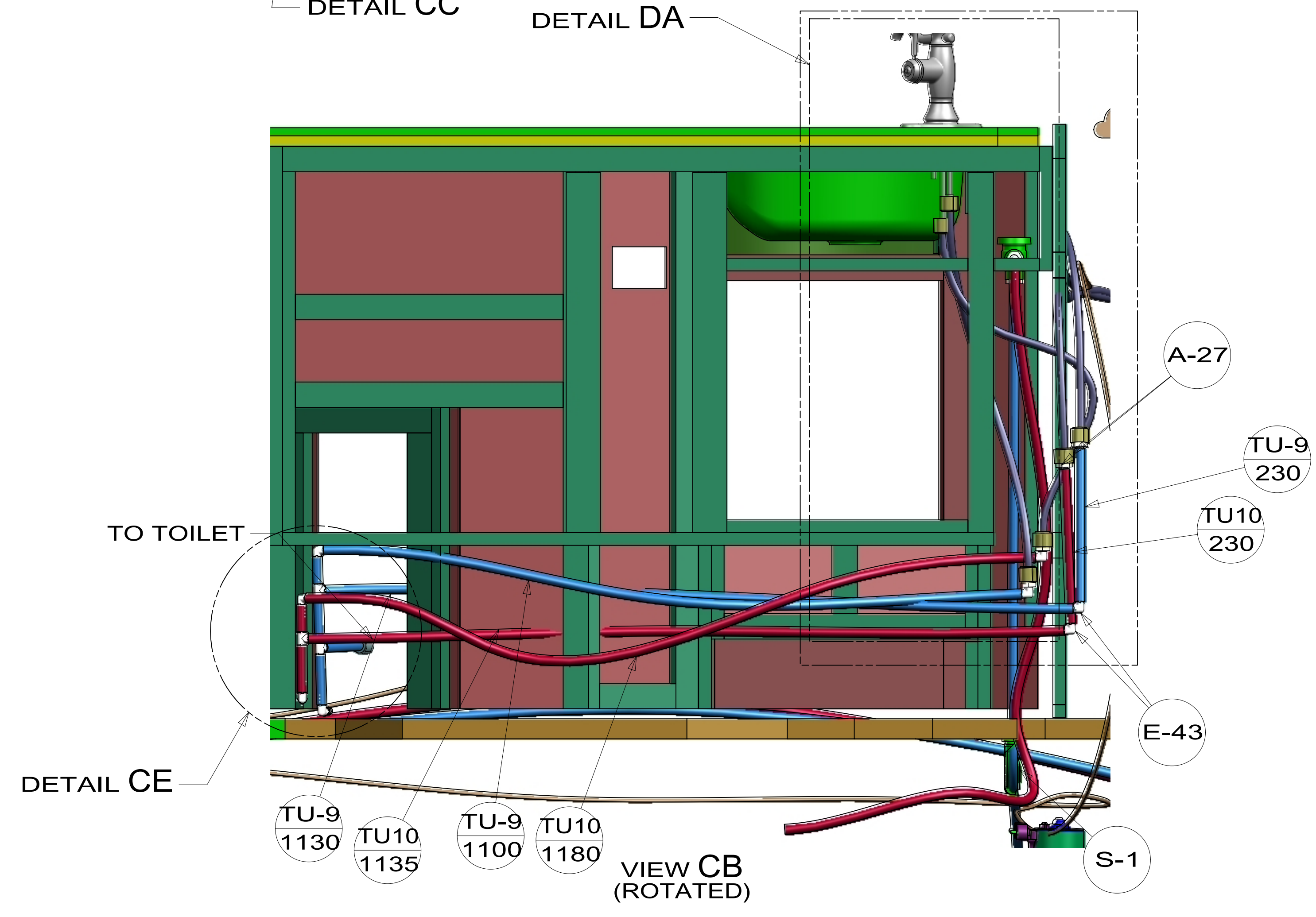
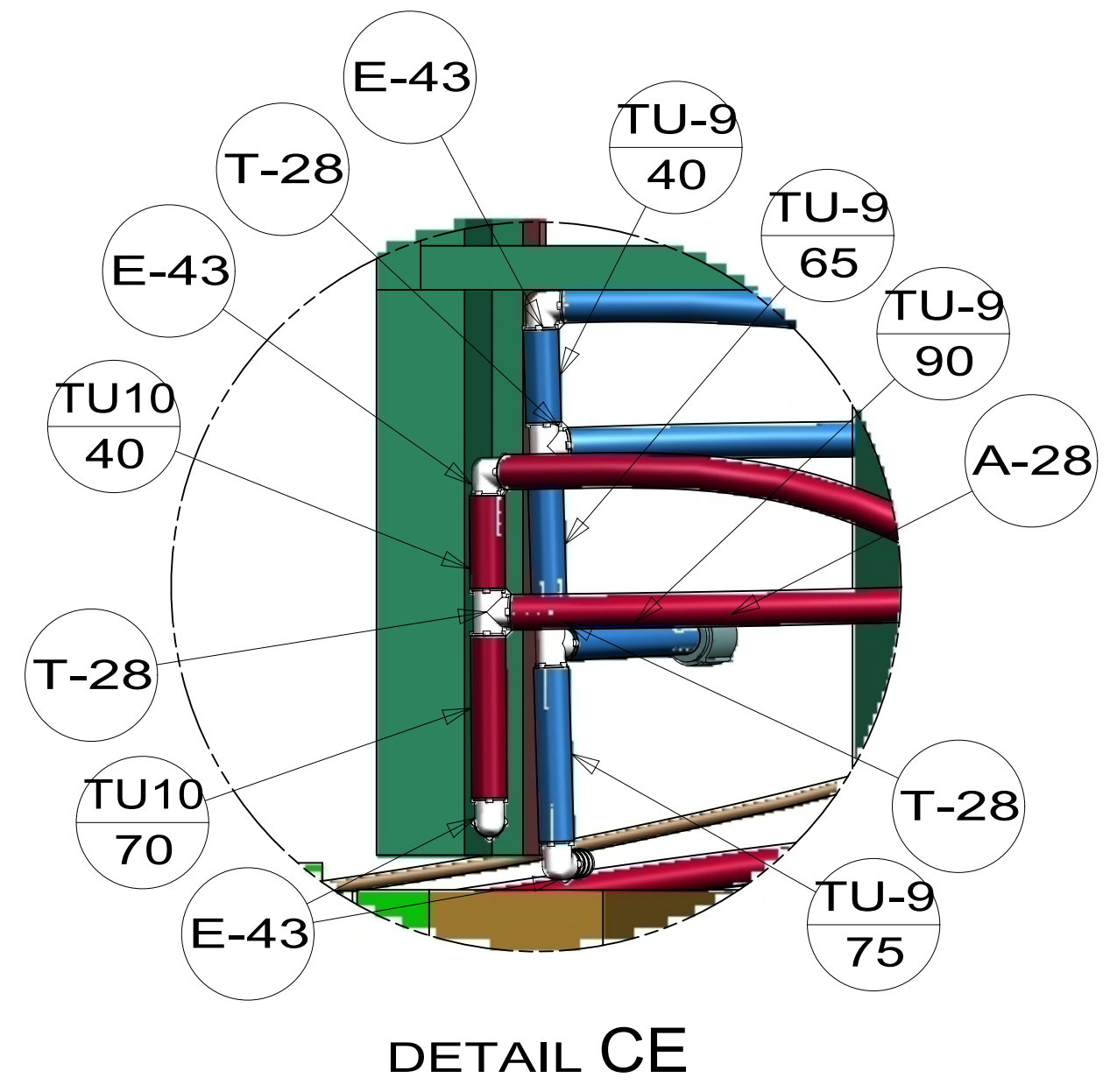
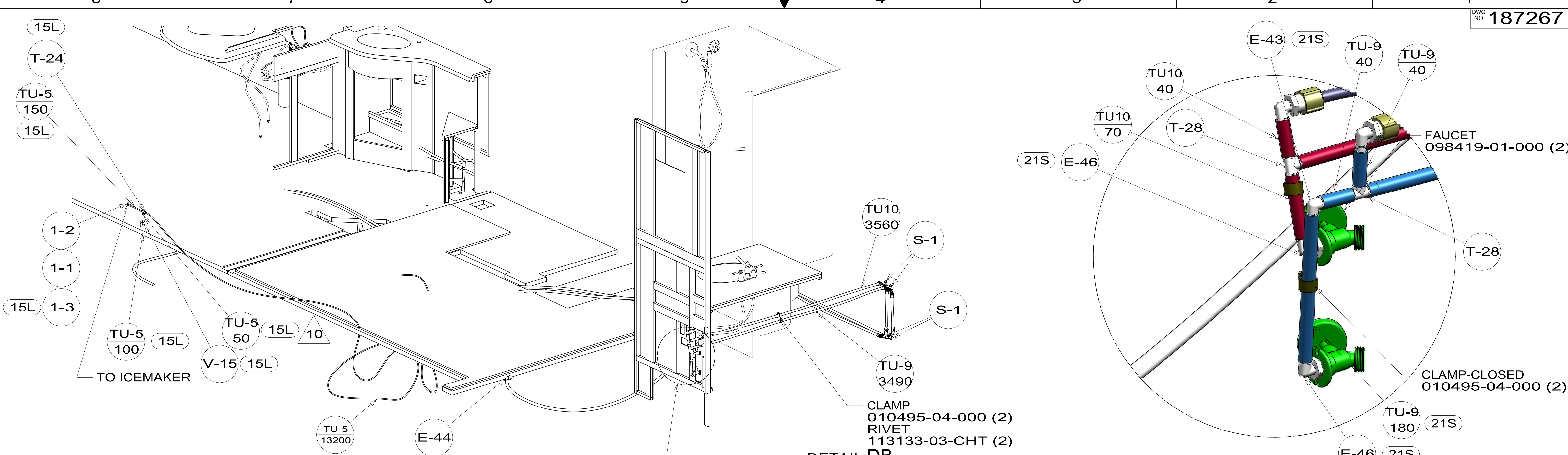
- 9PC TAILGATE PACKAGE
- 21S WASHER & DRYER-PAIR
- 214 DISHWASHER-DRAWER STYLE
- 215 DISHWASHER WITHOUT
- 505 HOSE REEL-WATER,POWERED

UNSPECIFIED TOLERANCES ARE:		MATERIAL: 15 R42QL
WHOLE DIM (X)	: 3	
ONE-PLACE (X.X)	: 1.5	
TWO-PLACE (X.XX)	: 0.50	
ANGLE	: 1°	
THIRD ANGLE PROJECTION		
DO NOT SCALE DRAWING		REFER TO ES0018 FOR FASTENER TIGHTENING GUIDELINES
TITLE: WATER SYSTEM INSTL		
SHEET 1 OF 5	PART NO 187267	REV
REF:	1	13-Oct-2015

FOR WATER CALLOUTS SEE DWG NO 116230-01-000

NOTES:

*187267 *A

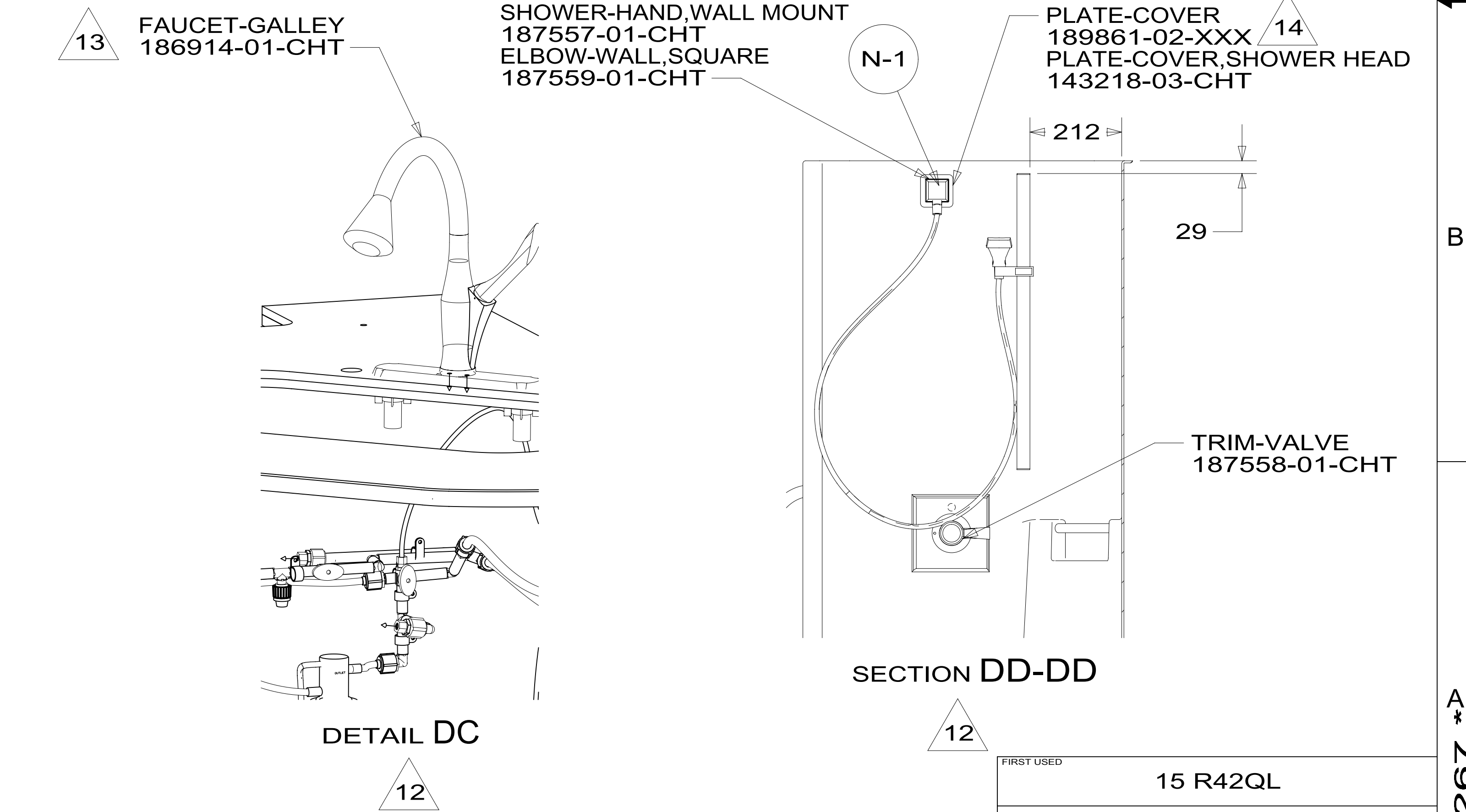
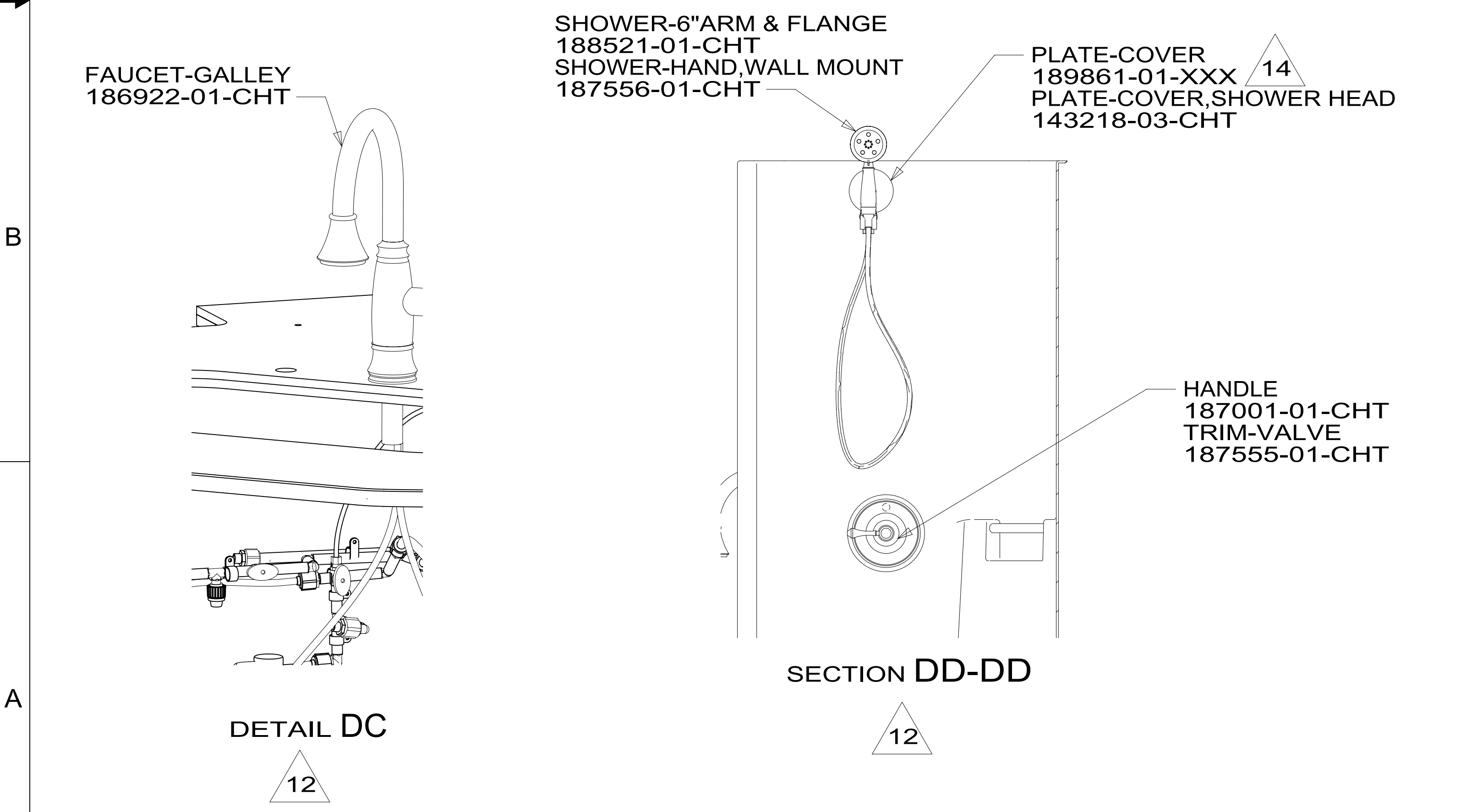
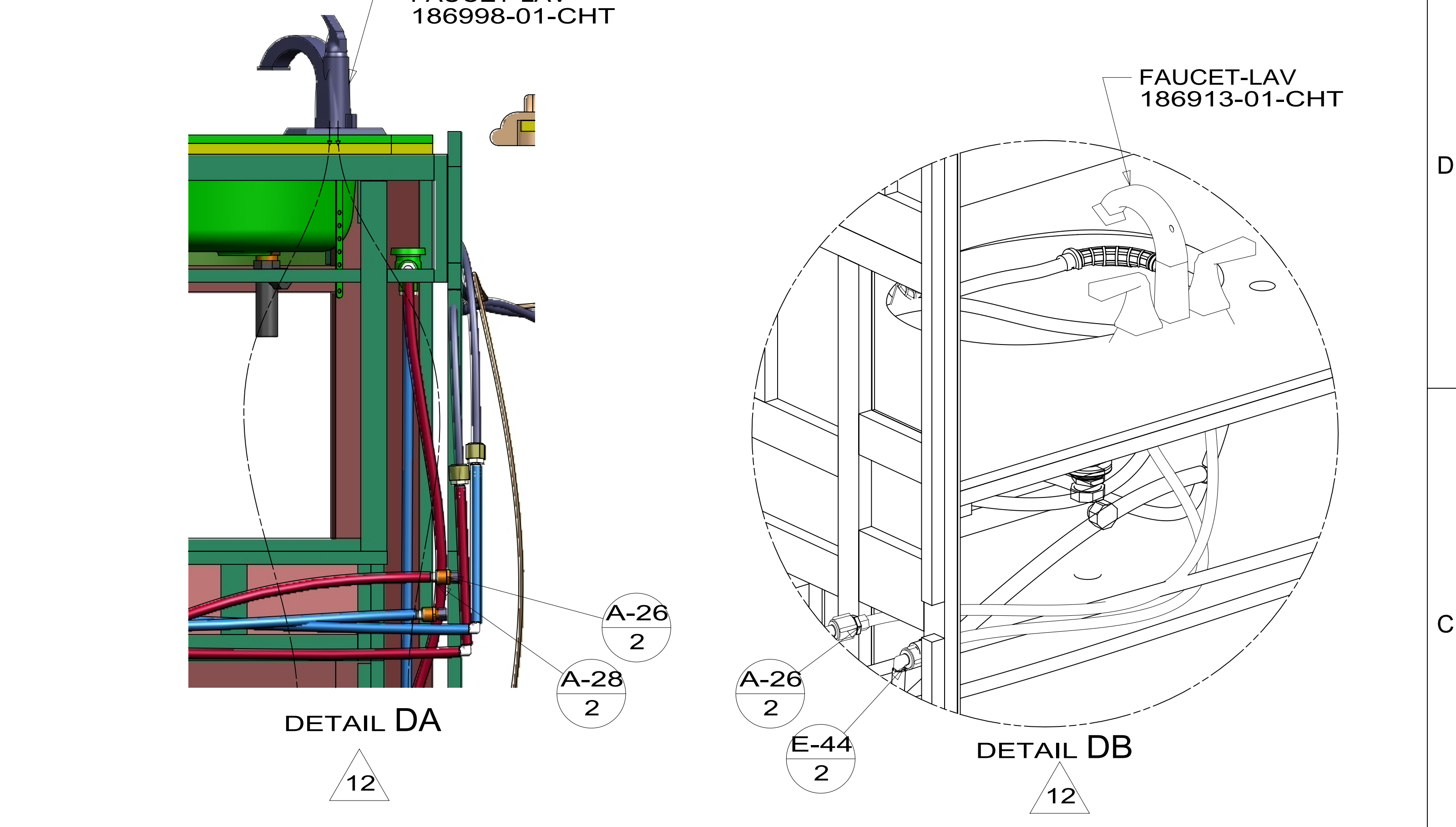
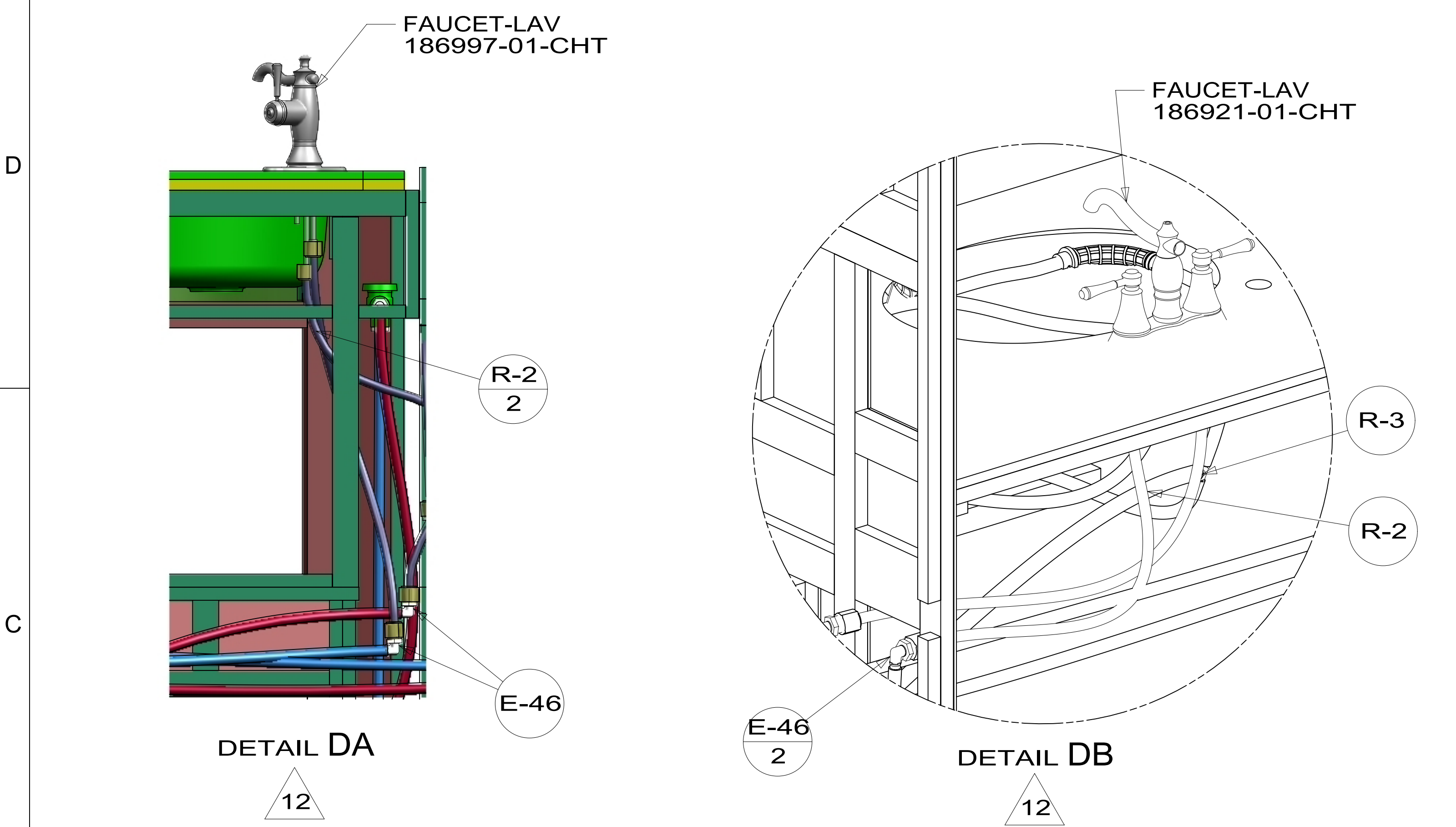


FIRST USED	15 R42QL	
TITLE:	DO NOT SCALE DRAWING	
SHEET 3	PART NO	187267
	REV	1
		13-Oct-2015

187267

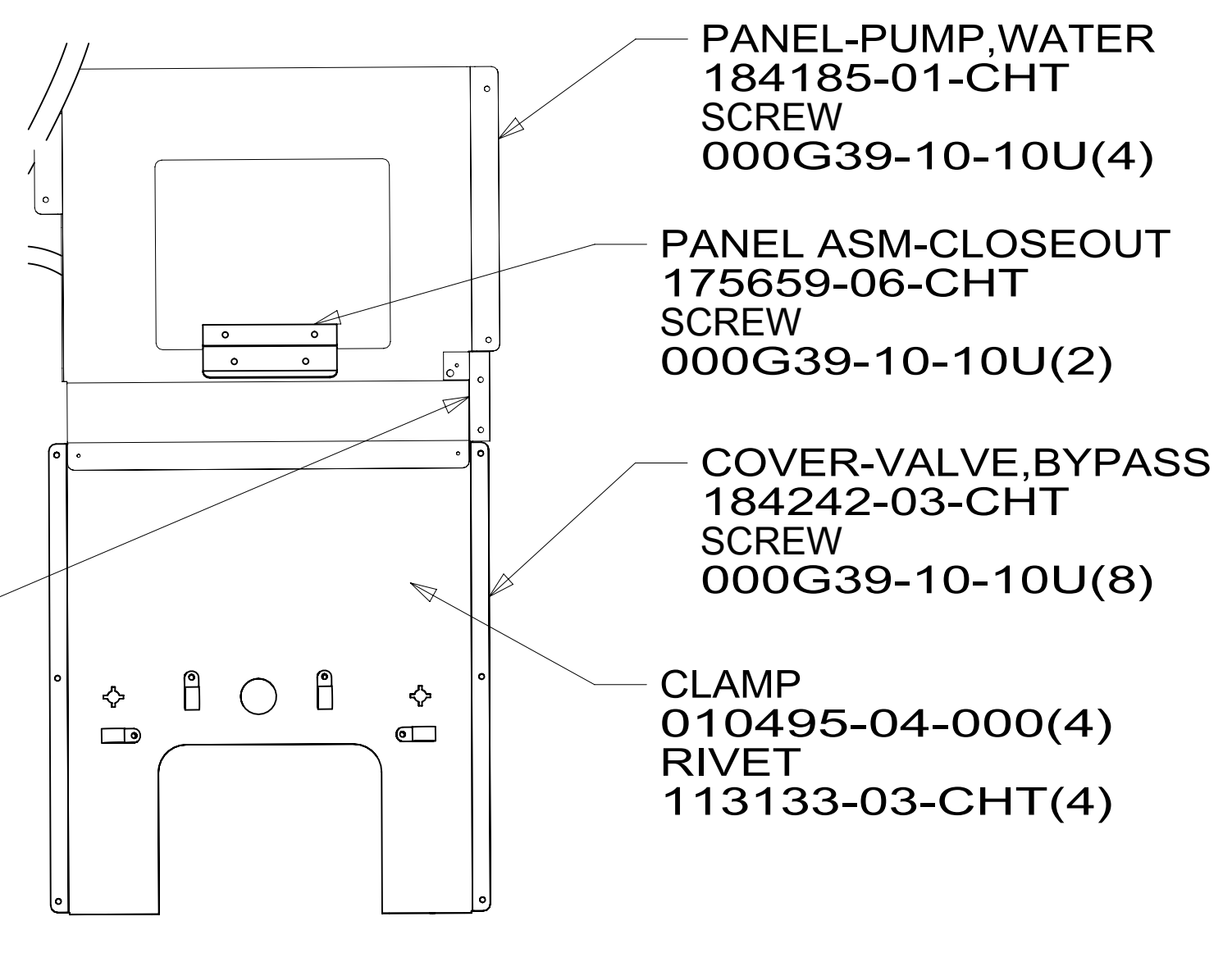
CASSIDY COLLECTION

DRYDEN COLLECTION



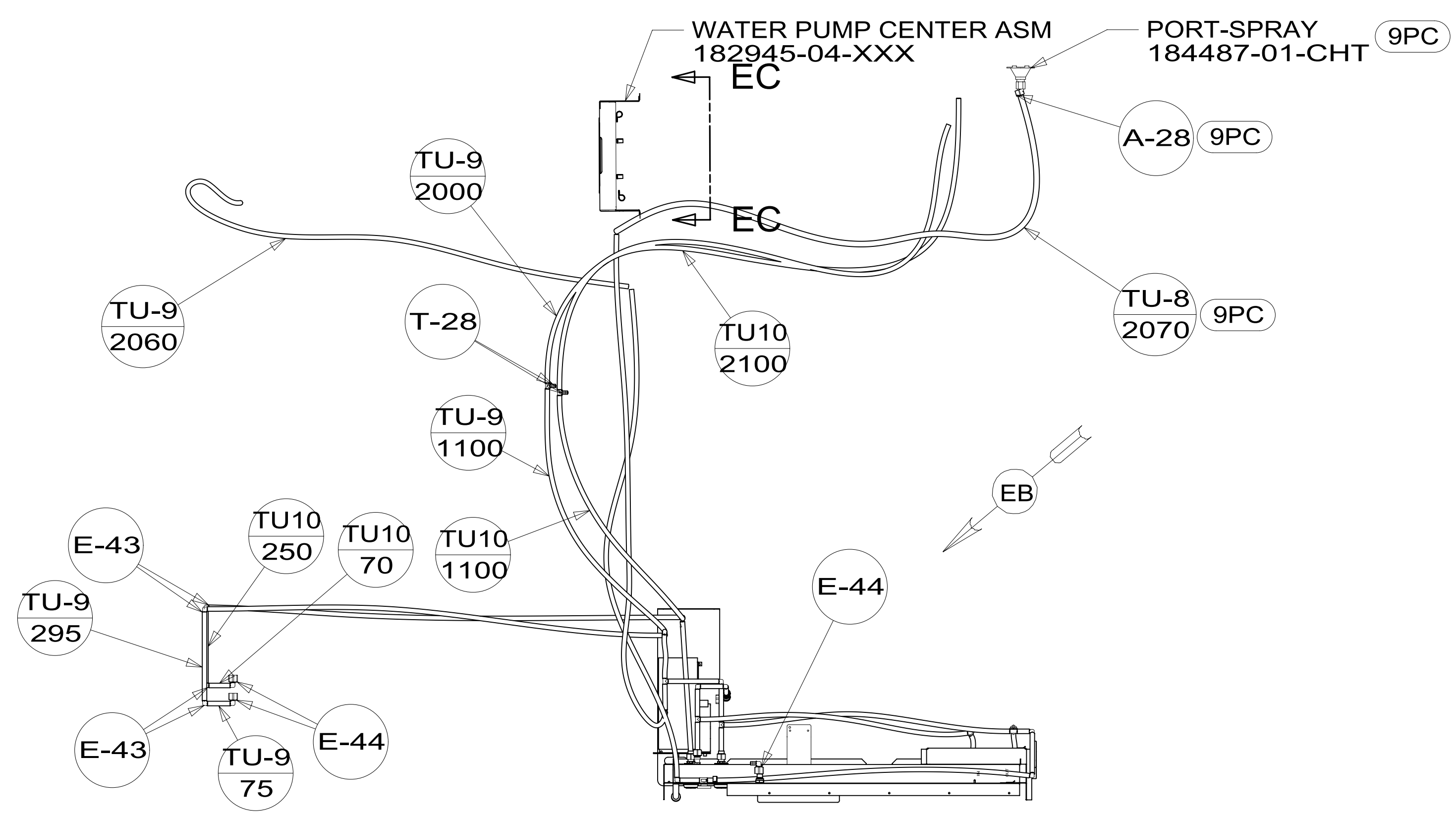
FIRST USED	15 R42QL	
TITLE:	DO NOT SCALE DRAWING	
SHEET	4	PART NO 187267
		REV
13-Oct-2015		

187267

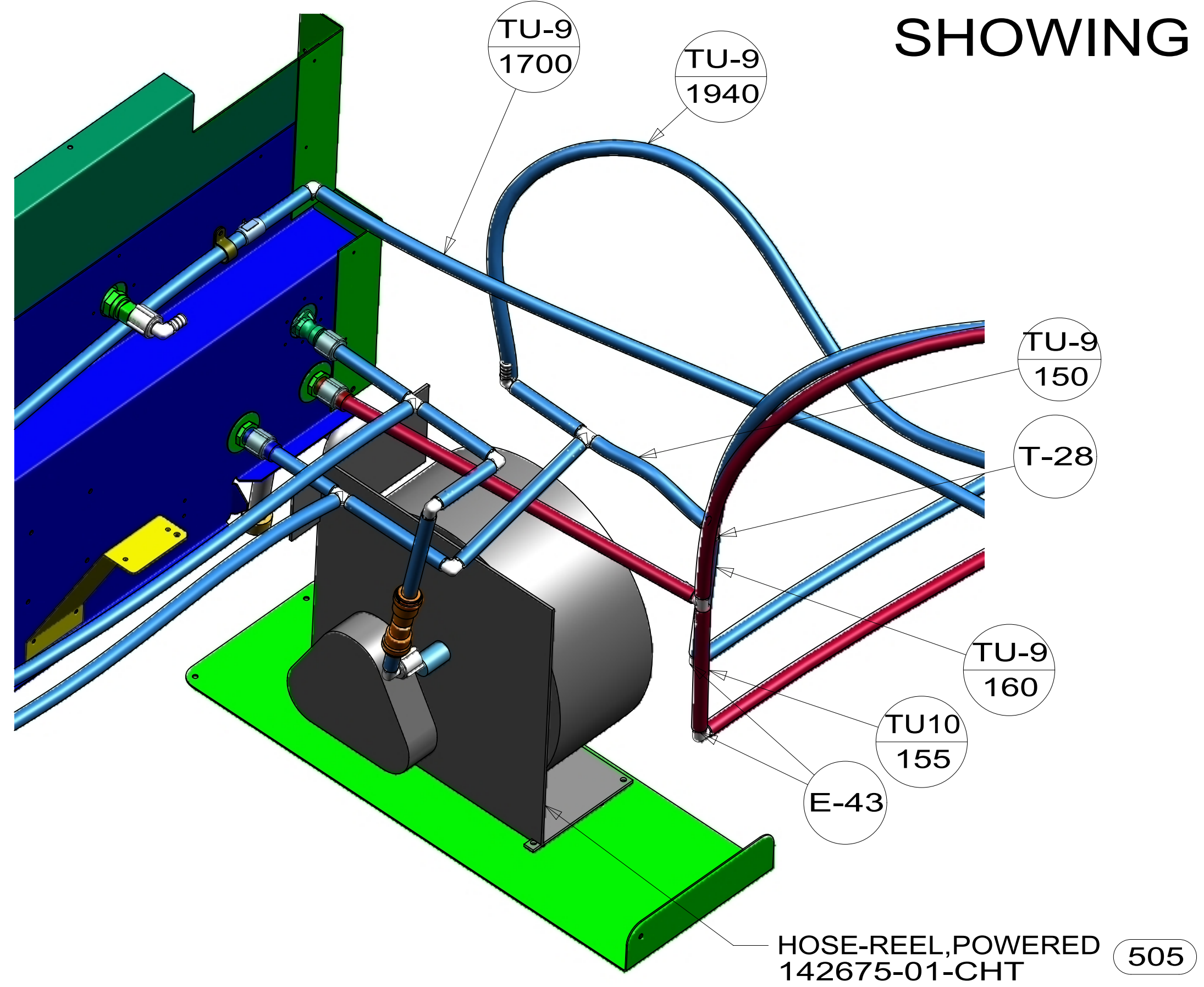


SECTION EC-EC
(ROTATED)

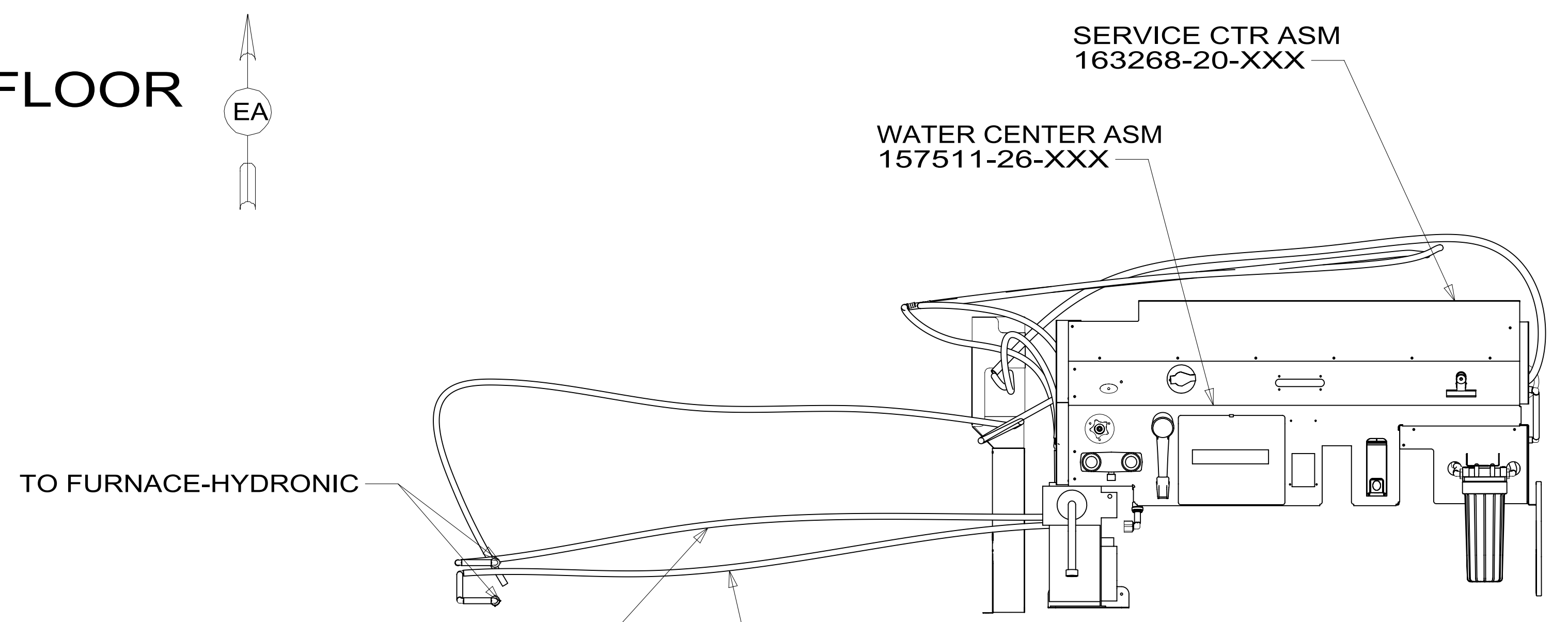
PANEL-PUMP, WATER
184241-01-CHT
SCREW
000G39-10-10U(3)



SHOWING LINES UNDER FLOOR



VIEW EB



VIEW EA

FIRST USED	15 R42QL	
TITLE:	DO NOT SCALE DRAWING	
SHEET	5	PART NO 187267 REV
		13-Oct-2015

187267