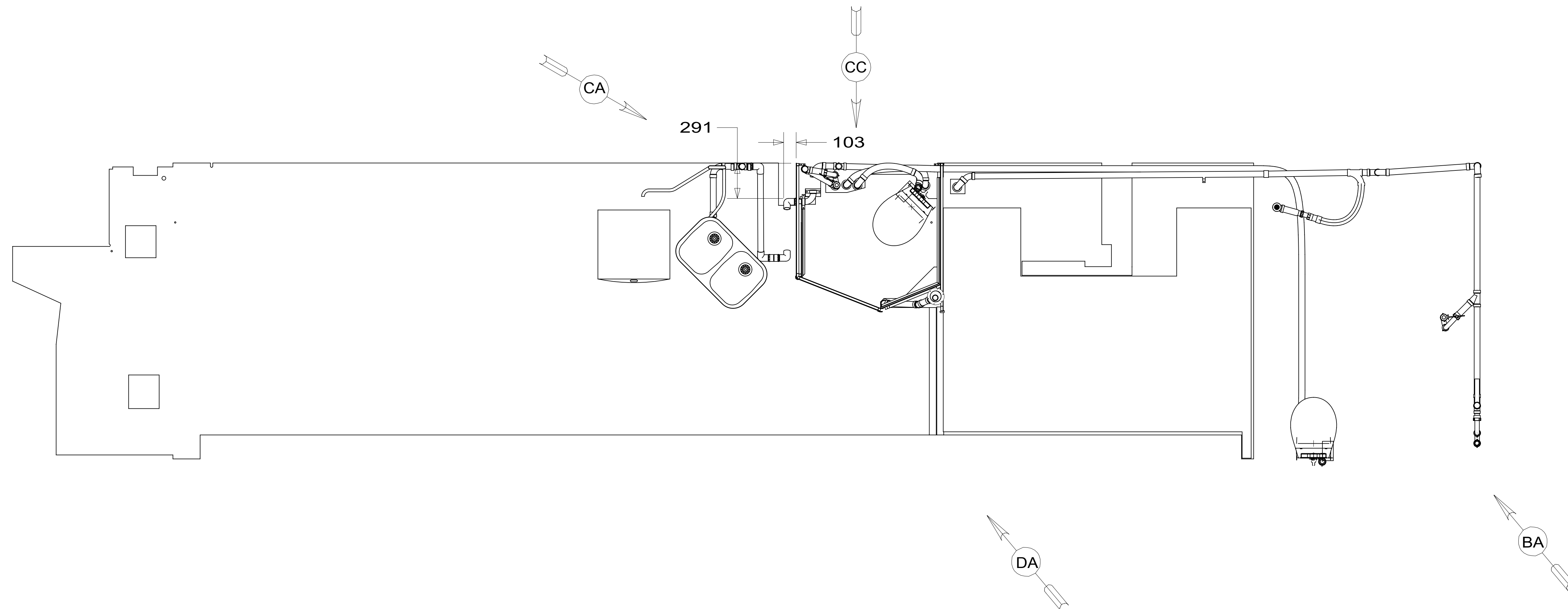


DWG NO	FEATURE	SHOWER	TOILET-MACERATOR
187266-01	9PC R42QL	184184-04-XXX	170062-06-CHT
187266-02	9PA OR 9PC R42QD	184184-02-XXX	170062-01-CHT

RELEASE	REV/DATE	DWG NO	187266
REV ZONE	REVISION RECORD	DATE	DFT-ORIG



12. REQUIRES 5 GALLONS RV ANTIFREEZE 182955-01-000 PER TOILET. FOLLOW TECMA TOILET WINTERIZATION PROCEDURE.
11. GLUE FITTING AFTER CABINET IS INSTALLED.
10. APPLY PRIMER 126427-02-000 AND CEMENT 126427-01-000 BETWEEN ELBOW AND FLEX PIPE.
9. SEE DRAWING 061607 FOR INSTALLATION OF GROMMETS.
8. SECURE DRAINAGE PIPES TO CABINET USING WIRE TIE 108046-02-000, AND SCREW 000G67-10-12U AT INTERVALS OF NOT OF NOT MORE THAN 4 FEET APART.
7. SECURE VENT PIPE TO GROMMET WITH CLAMP 062401-02-000.
6. VENT PIPE MUST PROJECT 51 MIN AND 64 MAX ABOVE ROOF FOR PROPER FIT AND FUNCTION. ADD S-1 (116666-01-CHT SEAL-VENT PIPE) AROUND PIPE ON ROOF BEFORE VENT CAP IS INSTALLED.
5. SEAL AROUND SHOWER WITH SILICONE.
4. USE SMOOTH PLUMBERS PUTTY 167459-01-000 TO SEAL STRAINER (0.2 PER STRAINER).
3. ALL PIPE AND FITTINGS TO BE ASSEMBLED WITH SOLVENT 004020-01-000 (USA), 004020-02-000 (CAN)
2. SLOPE OF TRAP ARM MUST BE 6 PER 305 mm.
1. SLOPE OF HORIZONTAL PIPING TO BE MINIMUM OF 3 PER 305 mm.

- 9PC TAILGATE PACKAGE
- 9PA W/O TAILGATE PACKAGE
- 1B1 CODES/STANDARDS USA
- 265 CODES/STDS-CSA,CMVSS

WINNEBAGO INDUSTRIES, INC. COPYRIGHT 2014

DFT-ORIG	ORIG. DATE
CHKR	ALL DIMENSIONS ARE IN MILLIMETERS
P.E.	FIRST USED
M.E.	15 R42QL
DSNR	

UNSPECIFIED TOLERANCES ARE:

WHOLE DIM (X)	: 3
ONE-PLACE (X.X)	: 1.5
TWO-PLACE (X.XX)	: 0.50
ANGLE	: 1°

THIRD ANGLE PROJECTION

DO NOT SCALE DRAWING REFER TO ES0018 FOR FASTENER TIGHTENING GUIDELINES

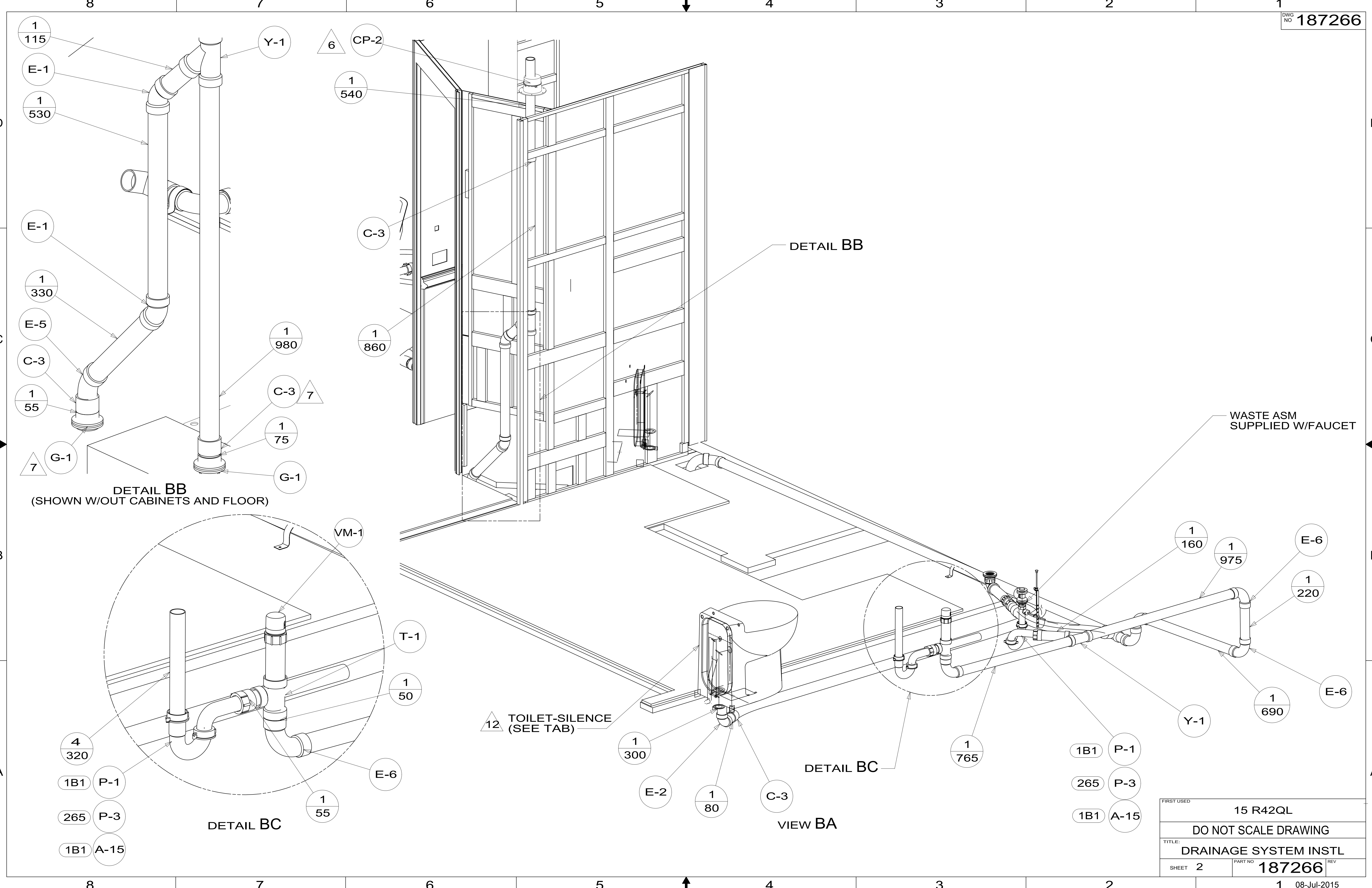
TITLE: **DRAINAGE SYSTEM INSTL**

SHEET 1 OF 4 PART NO **187266** REV

REF: 1 08-Jul-2015

FOR DRAINAGE CALLOUTS SEE DWG NO 116229-01-000

*187266 *A



DETAIL BB
(SHOWN W/OUT CABINETS AND FLOOR)

DETAIL BB

DETAIL BC

DETAIL BC

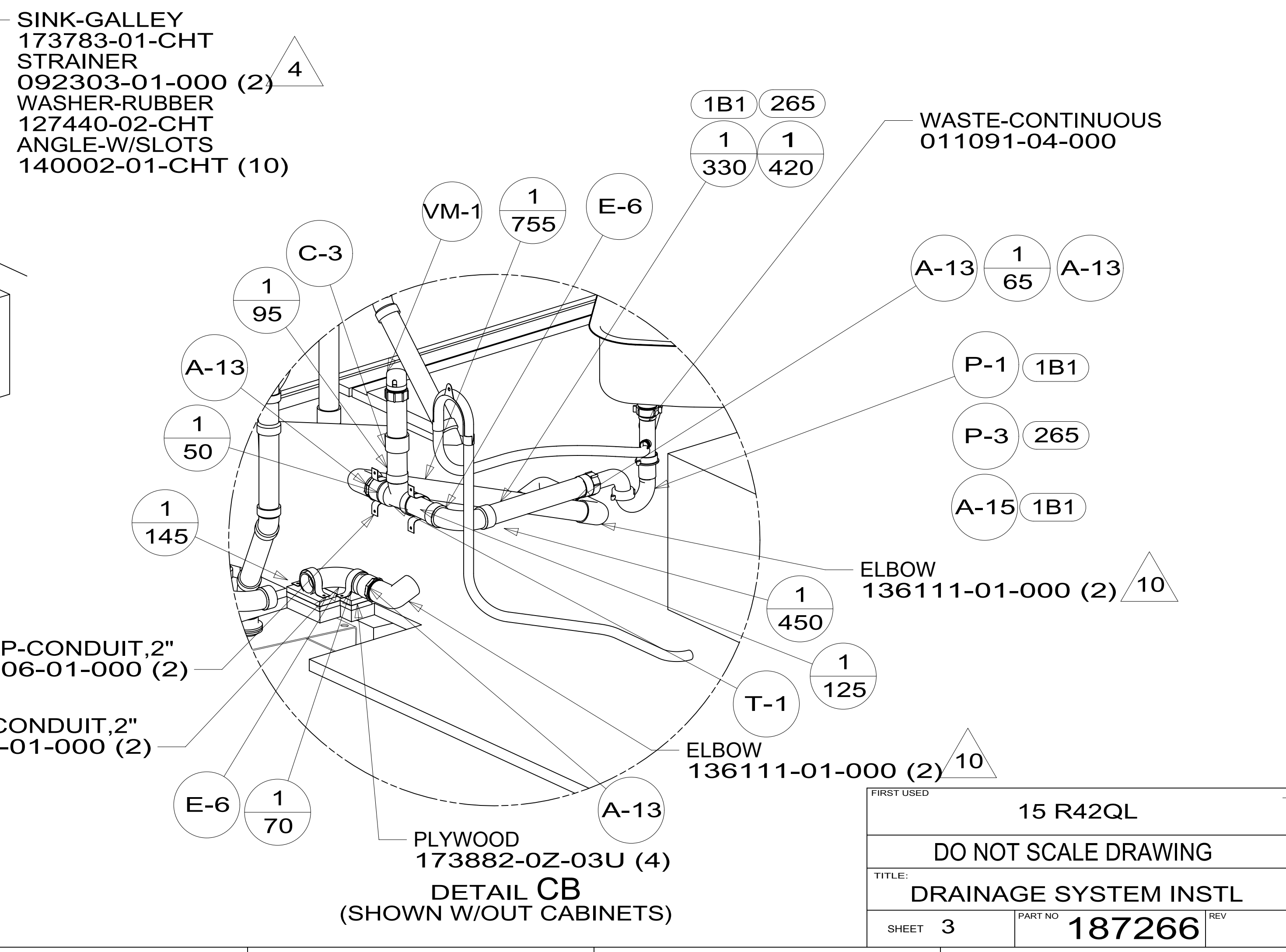
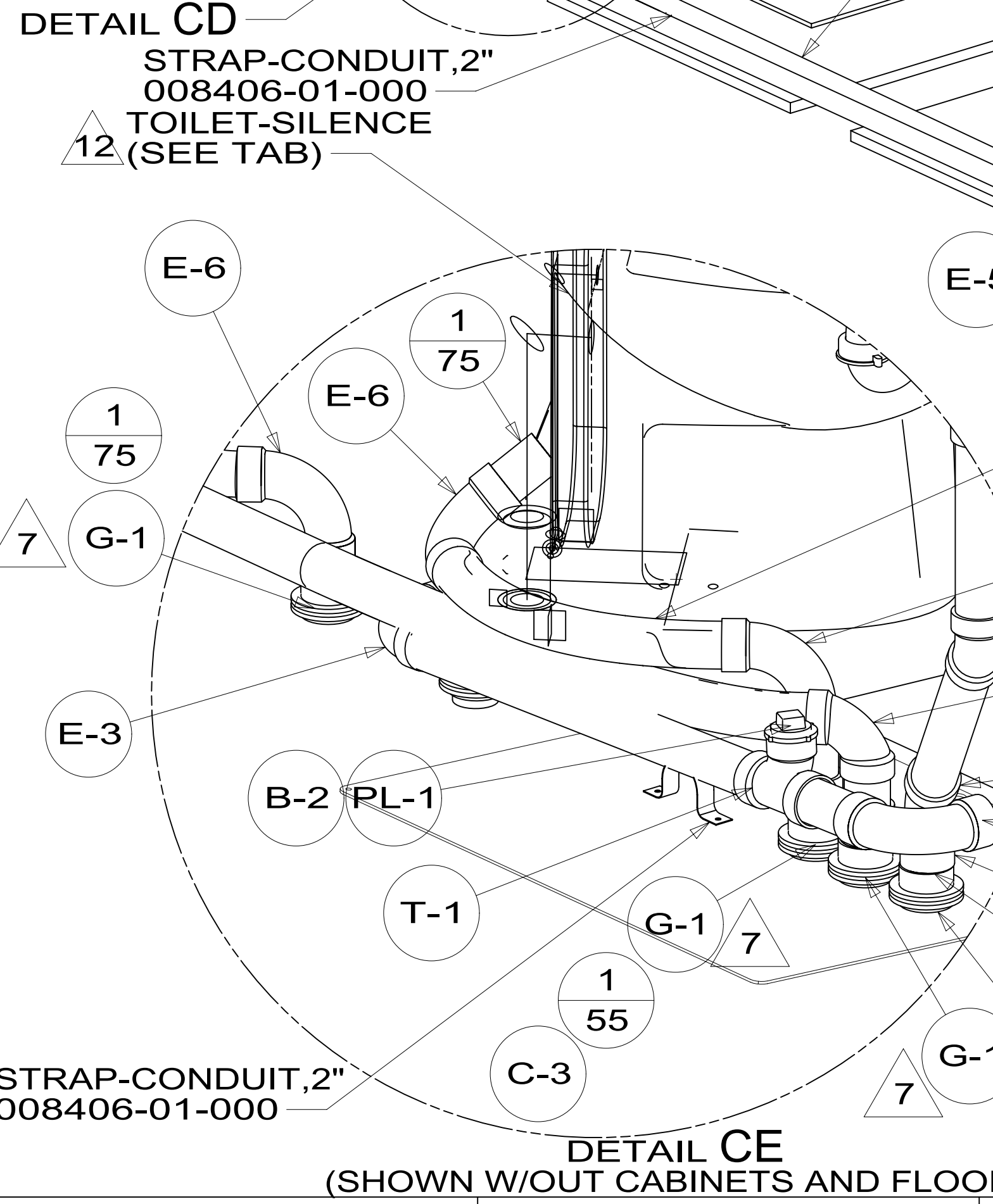
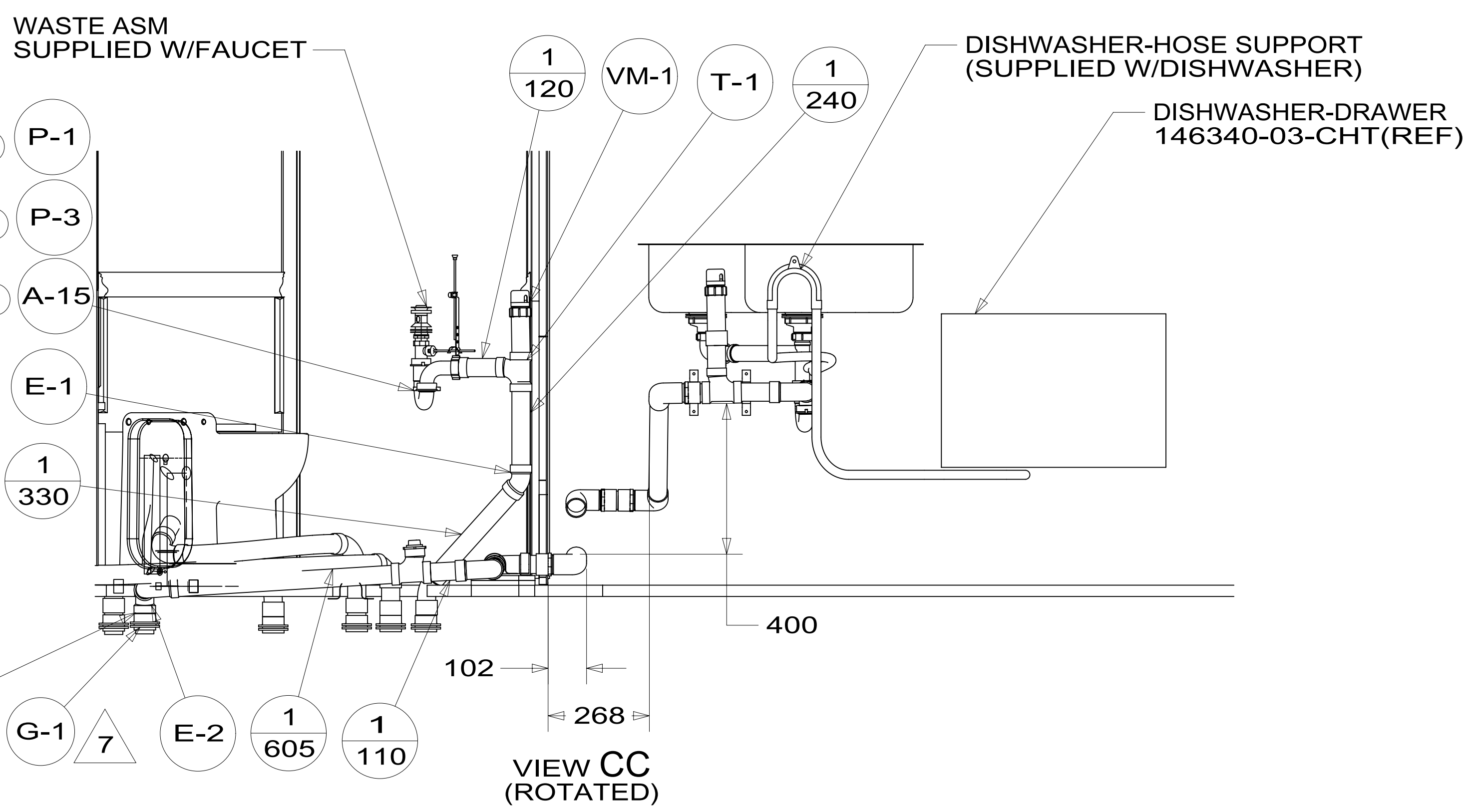
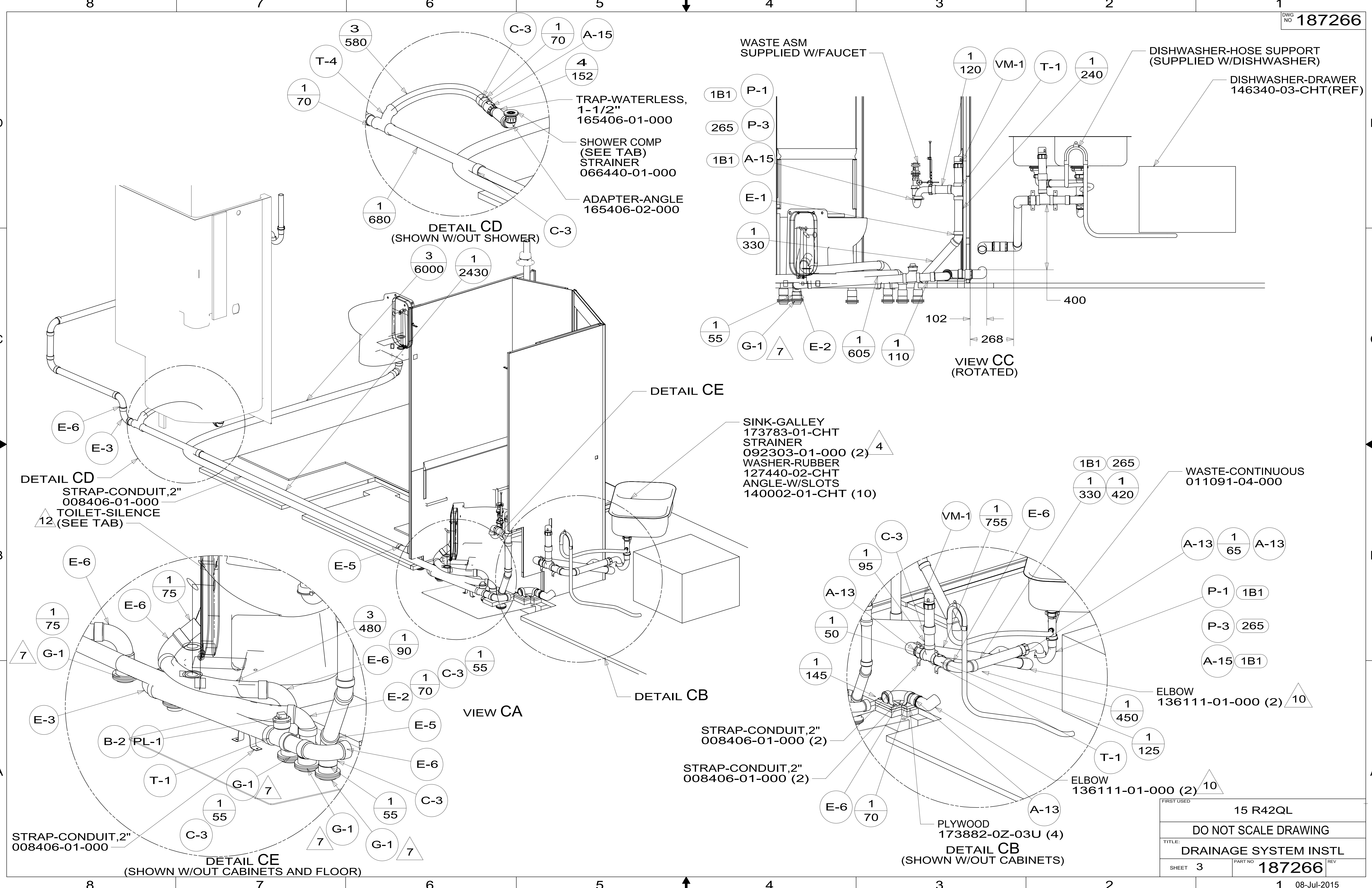
VIEW BA

WASTE ASM
SUPPLIED W/FAUCET

TOILET-SILENCE
(SEE TAB)

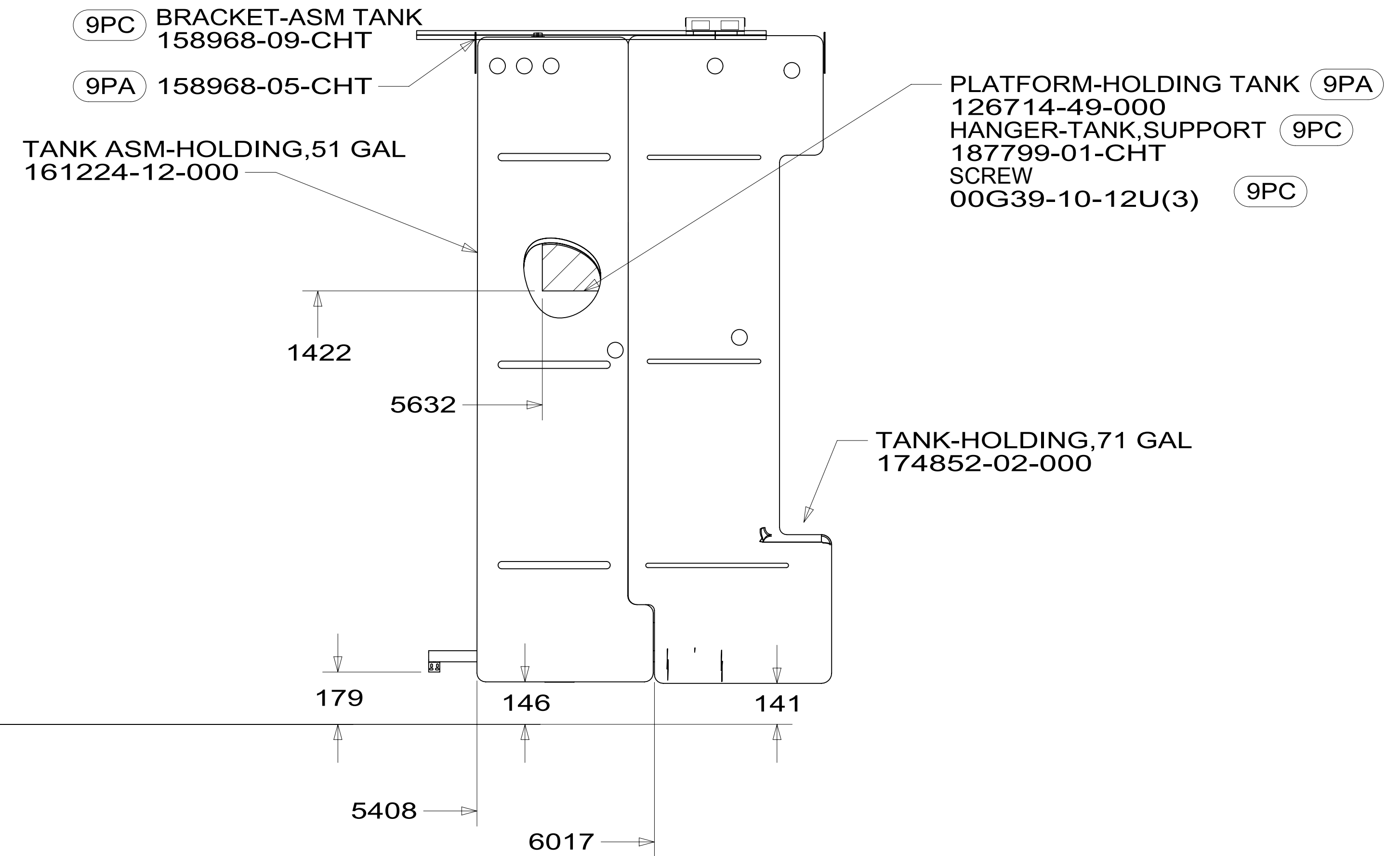
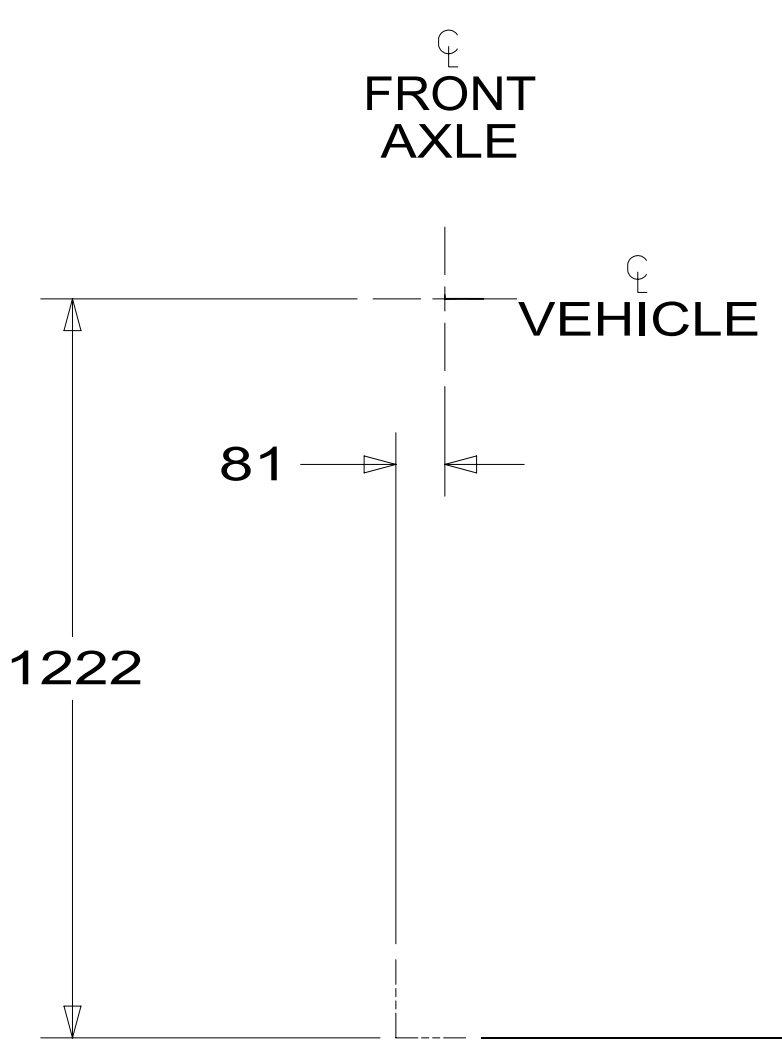
FIRST USED	15 R42QL		
TITLE:	DO NOT SCALE DRAWING		
	DRAINAGE SYSTEM INSTL		
SHEET 2	PART NO	187266	REV
			08-Jul-2015

187266

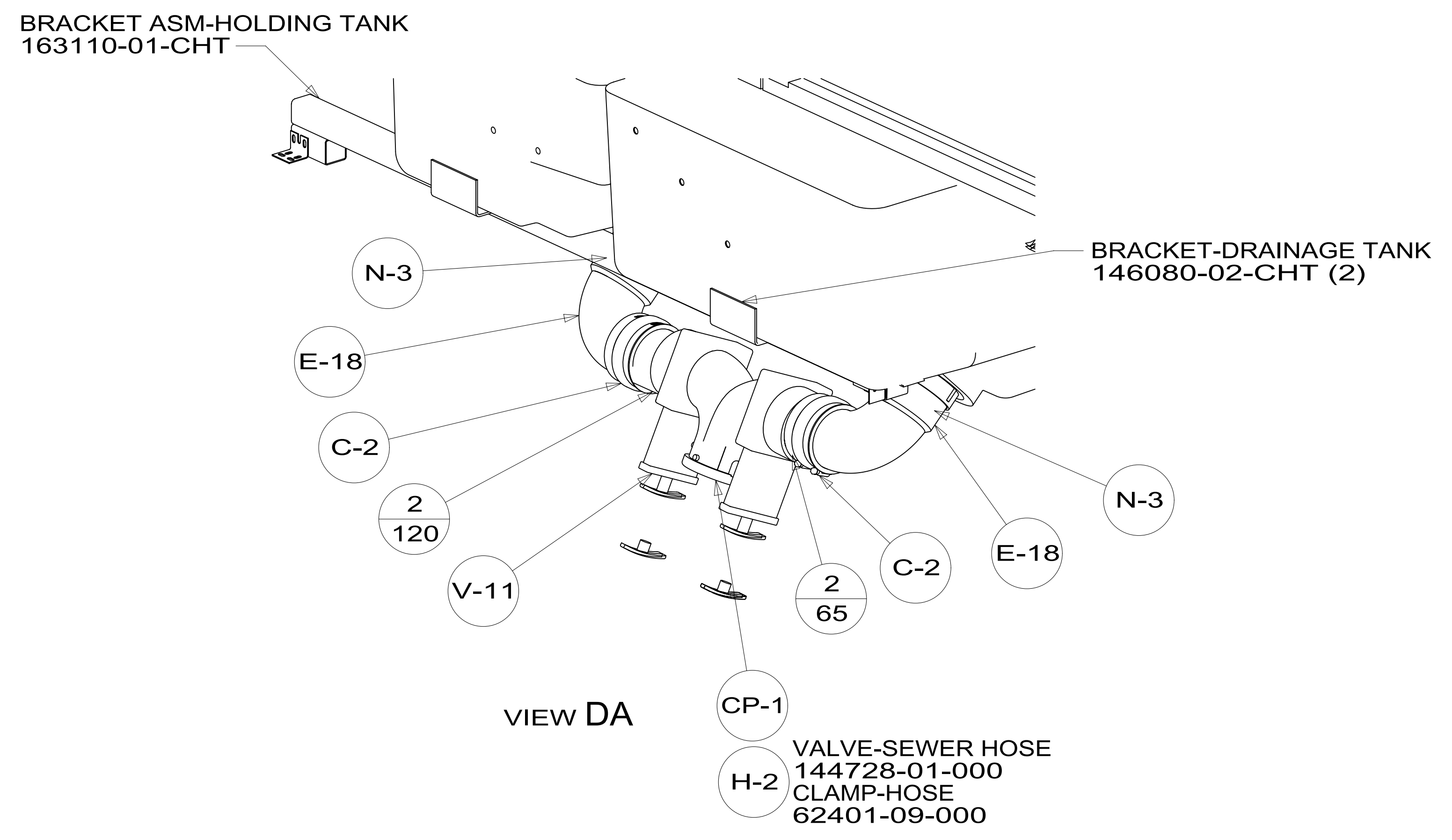


FIRST USED	15 R42QL
DO NOT SCALE DRAWING	
TITLE: DRAINAGE SYSTEM INSTL	
SHEET 3	PART NO 187266 REV
08-Jul-2015	

187266

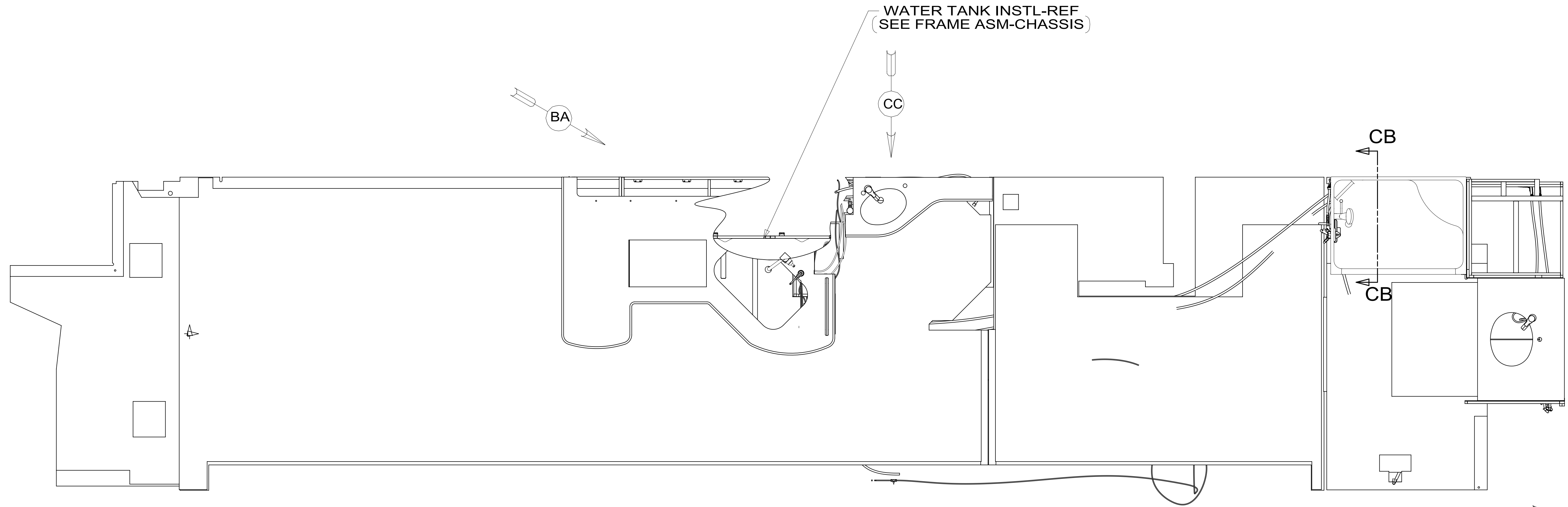


TOP VIEW SHOWING TANKS AND DRAINS



FIRST USED	15 R42QL	
DO NOT SCALE DRAWING		
TITLE: DRAINAGE SYSTEM INSTL		
SHEET 4	PART NO 187266	REV
		1 08-Jul-2015

*187266 *A



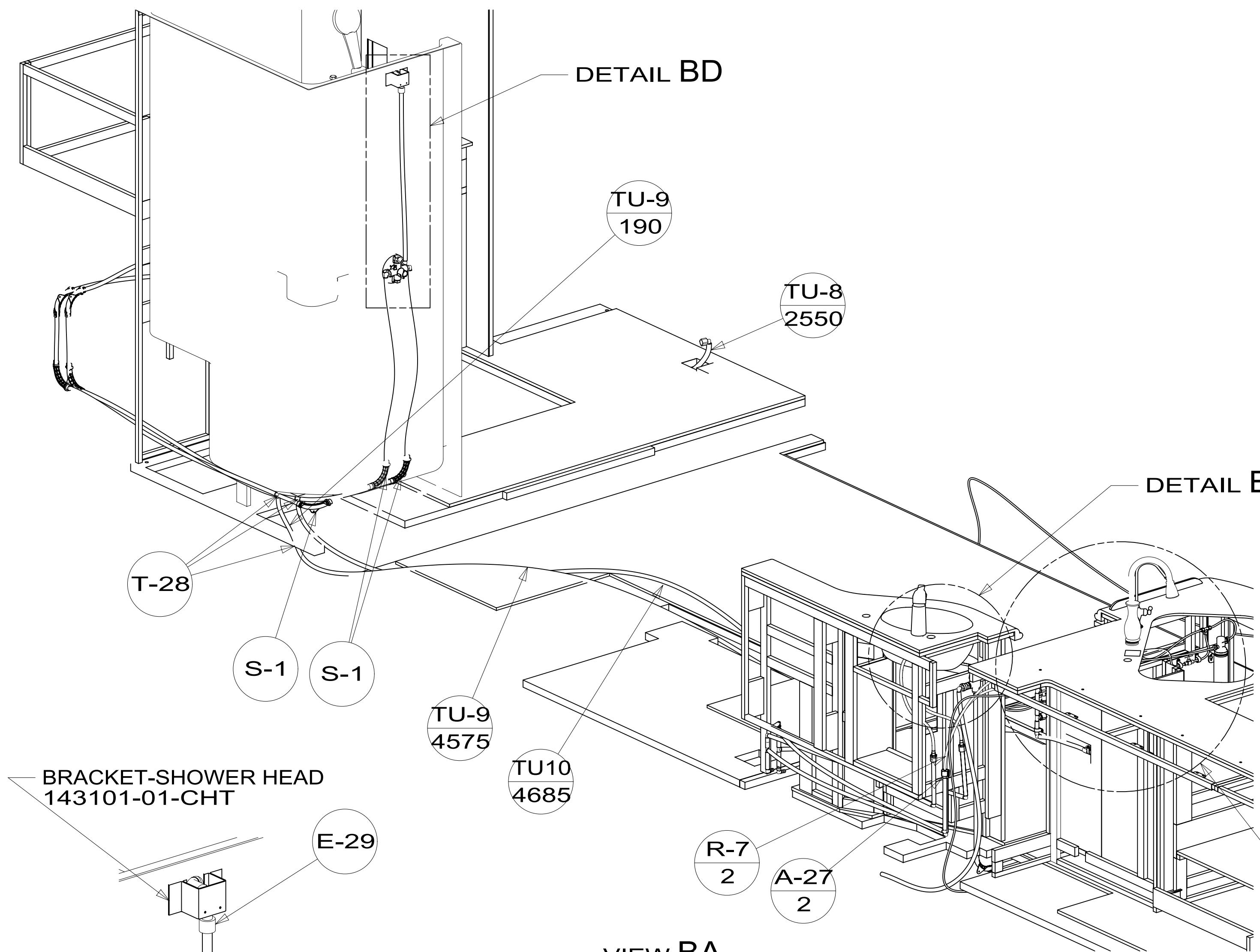
- 13 FOR INSTALLATION USE SILICON-ADHESIVE 131264-05-CHT. APPLY ON TOP OF PLATE, PLACE COVER ON, AND PUT ADHESIVE AROUND COVER.
- 12 INSTALL FAUCET WITHOUT BASEPLATE.
11. REQUIRES 5 GALLONS OF 182955-01-000 ANTIFREEZE FOR WINTERIZATION.
- 10 VALVE MUST REMAIN OPEN AFTER WATER TEST.
9. FLUSHING SYSTEM REQUIRES 125697-06-000 INSTRUCTION SHEET.
8. ALL CRIMP FITTINGS TO PEX TUBING REQUIRE 1/2" CLAMP 140171-03-000.
7. ALL CRIMP FITTINGS TO PEX TUBING REQUIRE 5/8" CLAMP 140171-04-000.
- 6 LABEL HOT AND COLD SUPPLY TUBES AND TAPE FITTING TO TUBE BEFORE CABINET SET TO PREVENT MOVEMENT.
- 5 ADD PIPE WRAP (LADDER SCRAP 110157-02-000) INSULATION.
- 4 ADD TEFLON TAPE 010405-02-000.
3. ALL TUBING TO BE SECURED AT 1200 INTERVALS MAXIMUM WITH CLAMP 010495-01-000 AND SCREW 000G67-10-12U OR EQUIVALENT.
2. TUBING TO BE INSTALLED WITH SUFFICIENT SLOPE TO PROVIDE DRAINAGE TO NEAREST VALVE.
1. PLASTIC FITTINGS TO BE SEALED WITH SEALANT 084456-01-000.

- 21S WASHER & DRYER-PAIR
- 214 DISHWASHER-DRAWER STYLE
- 9PC TAILGATE PACKAGE
- 505 HOSE REEL-WATER,POWERED

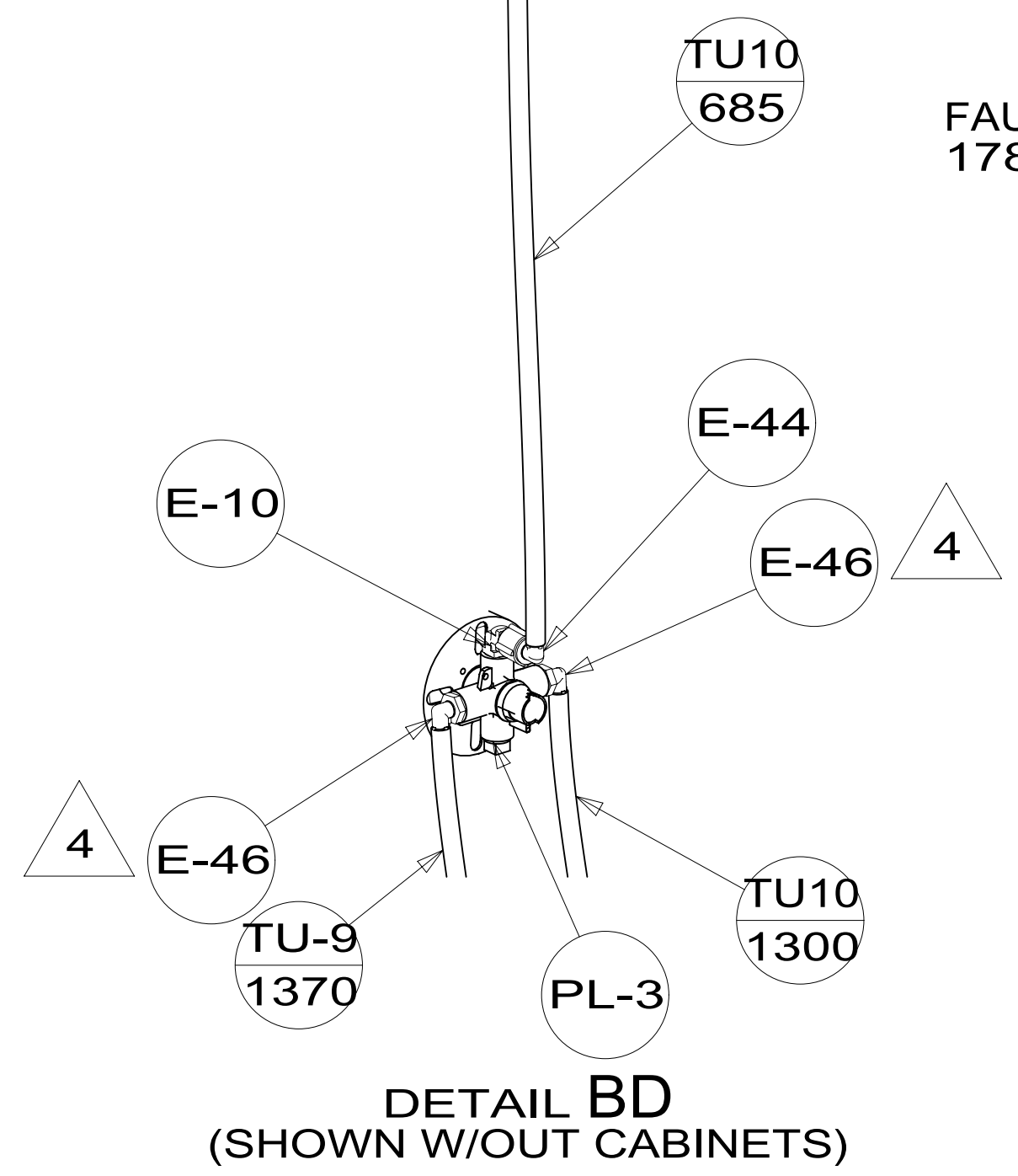
WINNEBAGO		COPYRIGHT 2014 WINNEBAGO INDUSTRIES, INC.	
DFTR	ORIG. DATE		
CHKR	ALL DIMENSIONS ARE IN MILLIMETERS		
P.E.	FIRST USED		
M.E.	15 R42QD		
DSNR	MATERIAL:		
UNSPECIFIED TOLERANCES ARE:		THIRD ANGLE PROJECTION	
WHOLE DIM (X)	: 3	REFER TO ES0018 FOR FASTENER TIGHTENING GUIDELINES	
ONE-PLACE (X.X)	: 1.5		
TWO-PLACE (X.XX)	: 0.50		
ANGLE	: 1°		
DO NOT SCALE DRAWING		TITLE: WATER SYSTEM INSTL	
SHEET 1 OF 4	PART NO 189672	REV	REF: 1 13-Oct-2015

FOR WATER CALLOUTS SEE DWG NO 116230-01-000

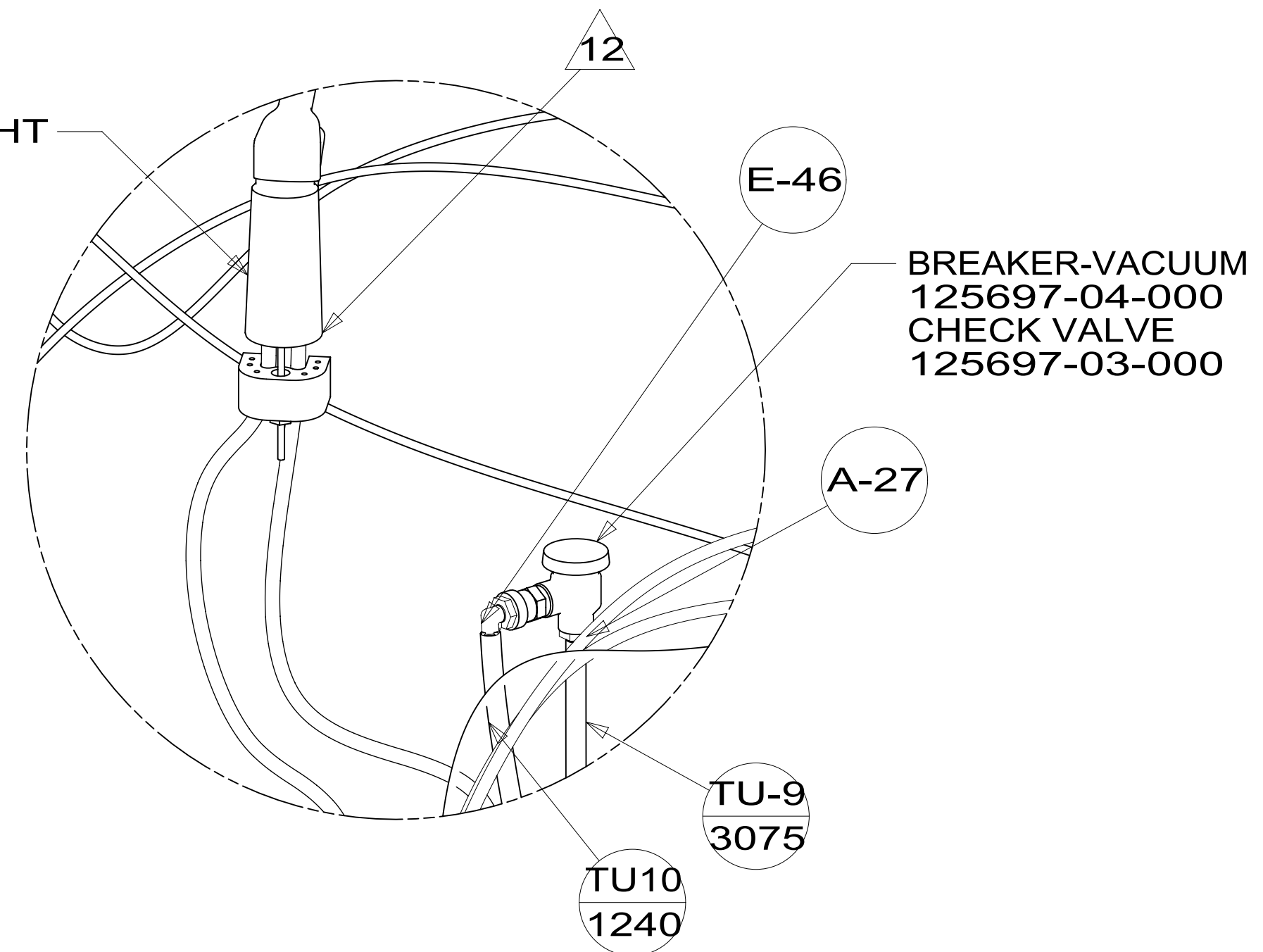
*189672 *A



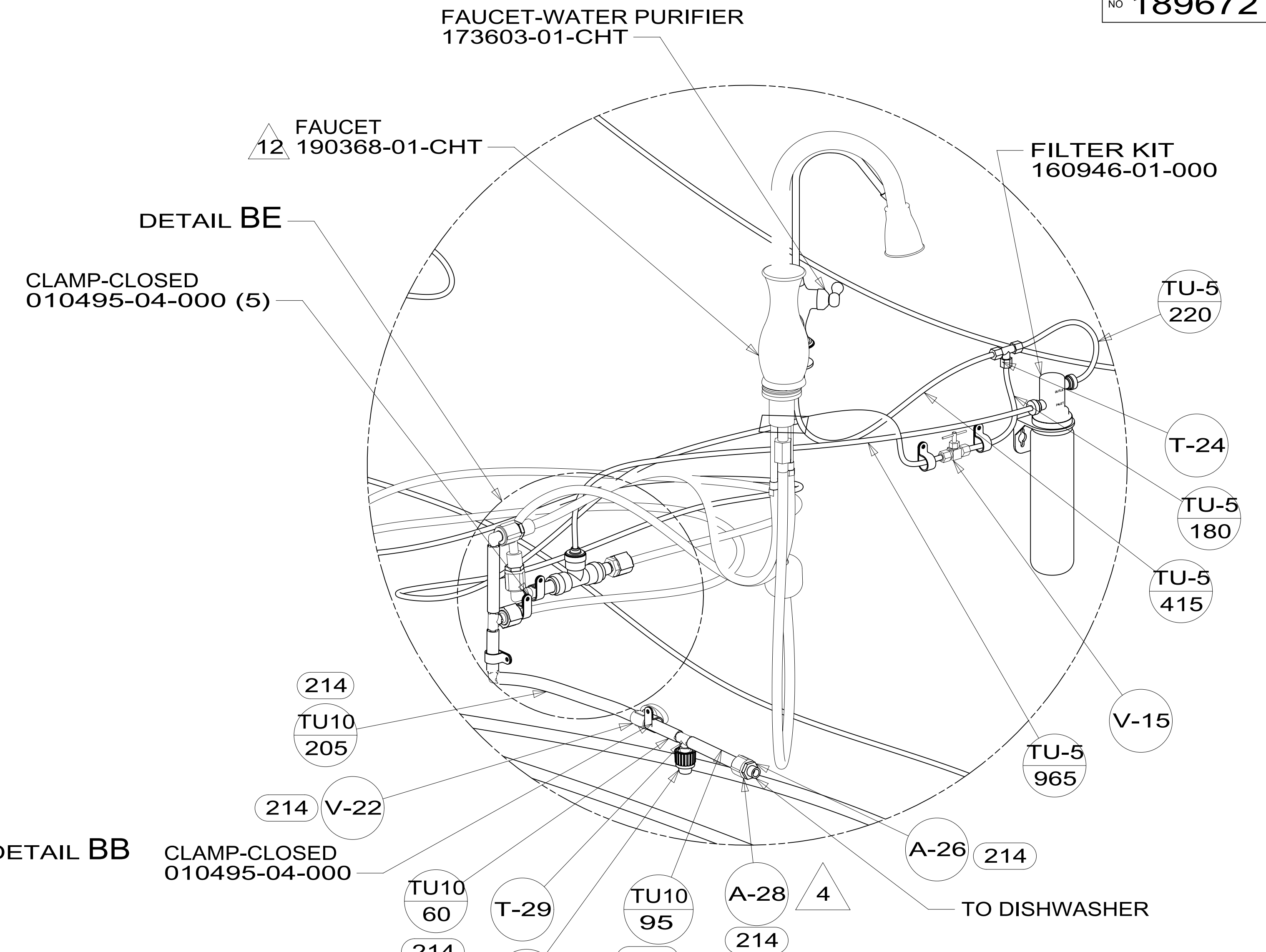
VIEW BA



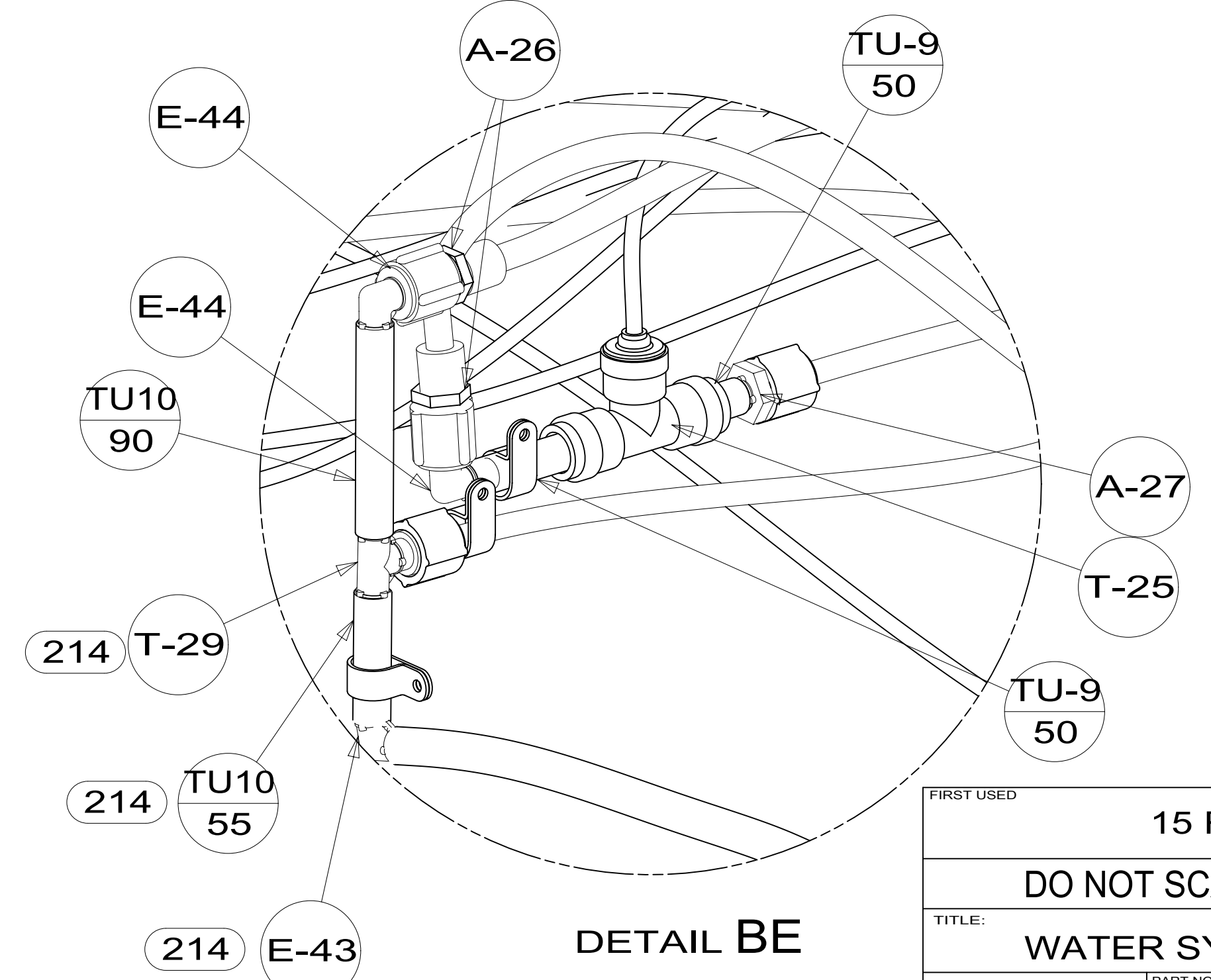
DETAIL BD
(SHOWN W/OUT CABINETS)



DETAIL BC
(SHOWN W/OUT CABINETS)



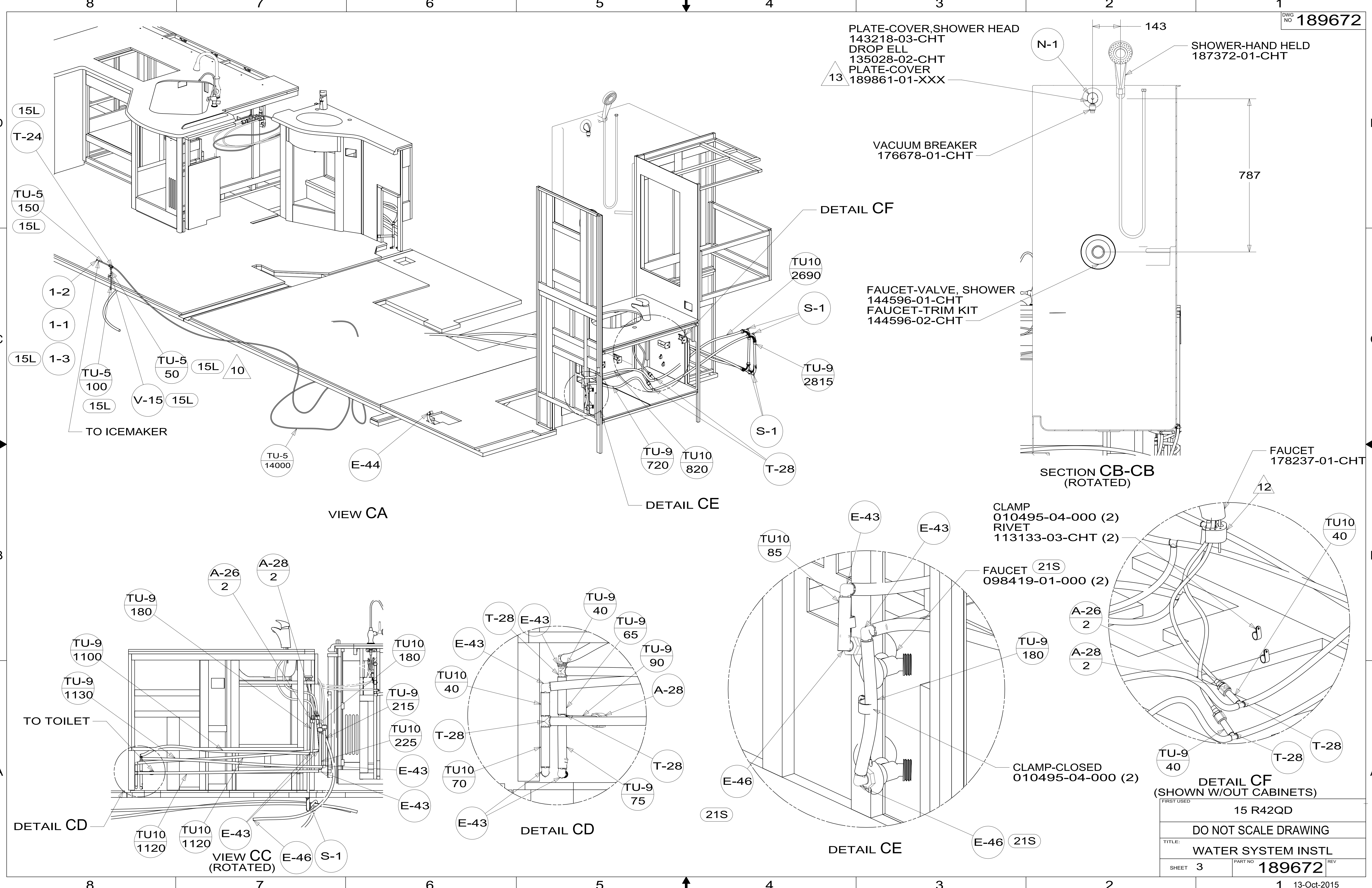
DETAIL BB
(SHOWN W/OUT CABINETS)



DETAIL BE

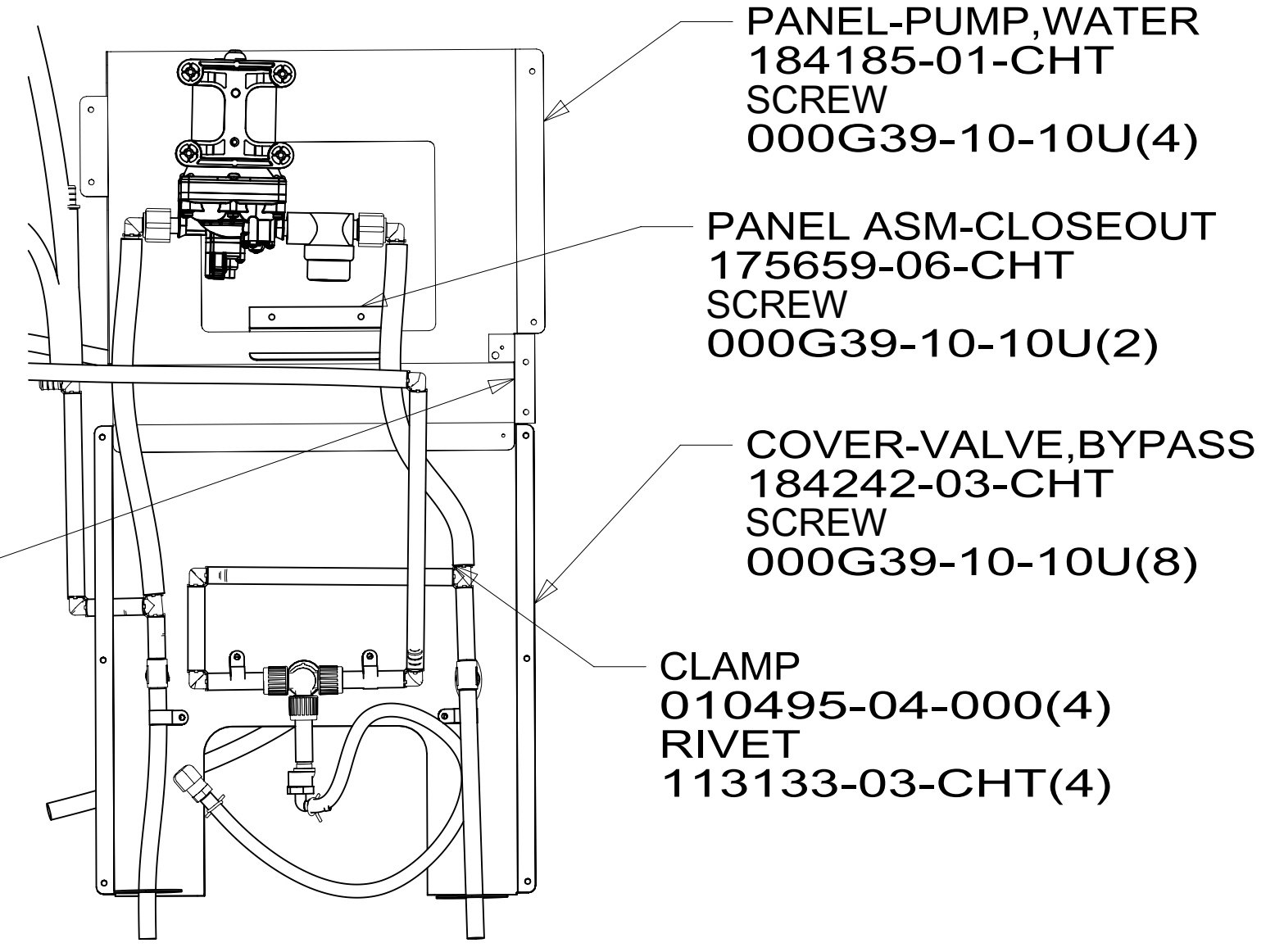
FIRST USED	15 R42QD	
TITLE:	DO NOT SCALE DRAWING	
SHEET	2	PART NO 189672 REV
		13-Oct-2015

189672



FIRST USED	15 R42QD	
TITLE:	DO NOT SCALE DRAWING	
SHEET	3	PART NO 189672
		REV
		13-Oct-2015

189672



PANEL-PUMP,WATER
184241-01-CHT
SCREW
000G39-10-10U(3)

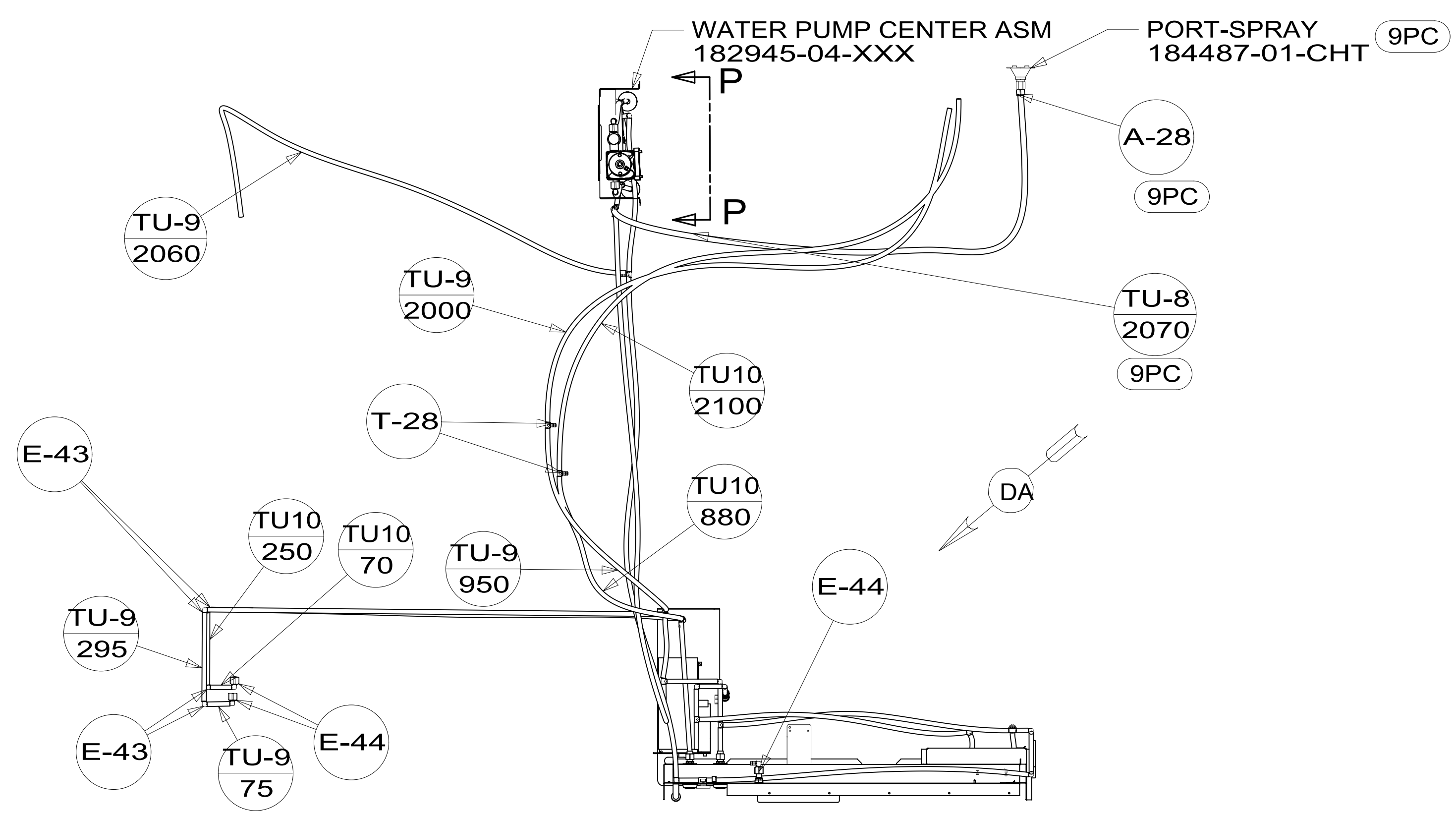
PANEL-PUMP,WATER
184185-01-CHT
SCREW
000G39-10-10U(4)

PANEL ASM-CLOSEOUT
175659-06-CHT
SCREW
000G39-10-10U(2)

COVER-VALVE,BYPASS
184242-03-CHT
SCREW
000G39-10-10U(8)

CLAMP
010495-04-000(4)
RIVET
113133-03-CHT(4)

SECTION P-P
(ROTATED)



WATER PUMP CENTER ASM
182945-04-XXX

PORT-SPRAY
184487-01-CHT 9PC

TU-9
2060

TU-9
2000

A-28
9PC

TU-8
2070
9PC

TU10
2100

TU10
880

DA

E-44

E-43

TU10
250

TU10
70

TU-9
950

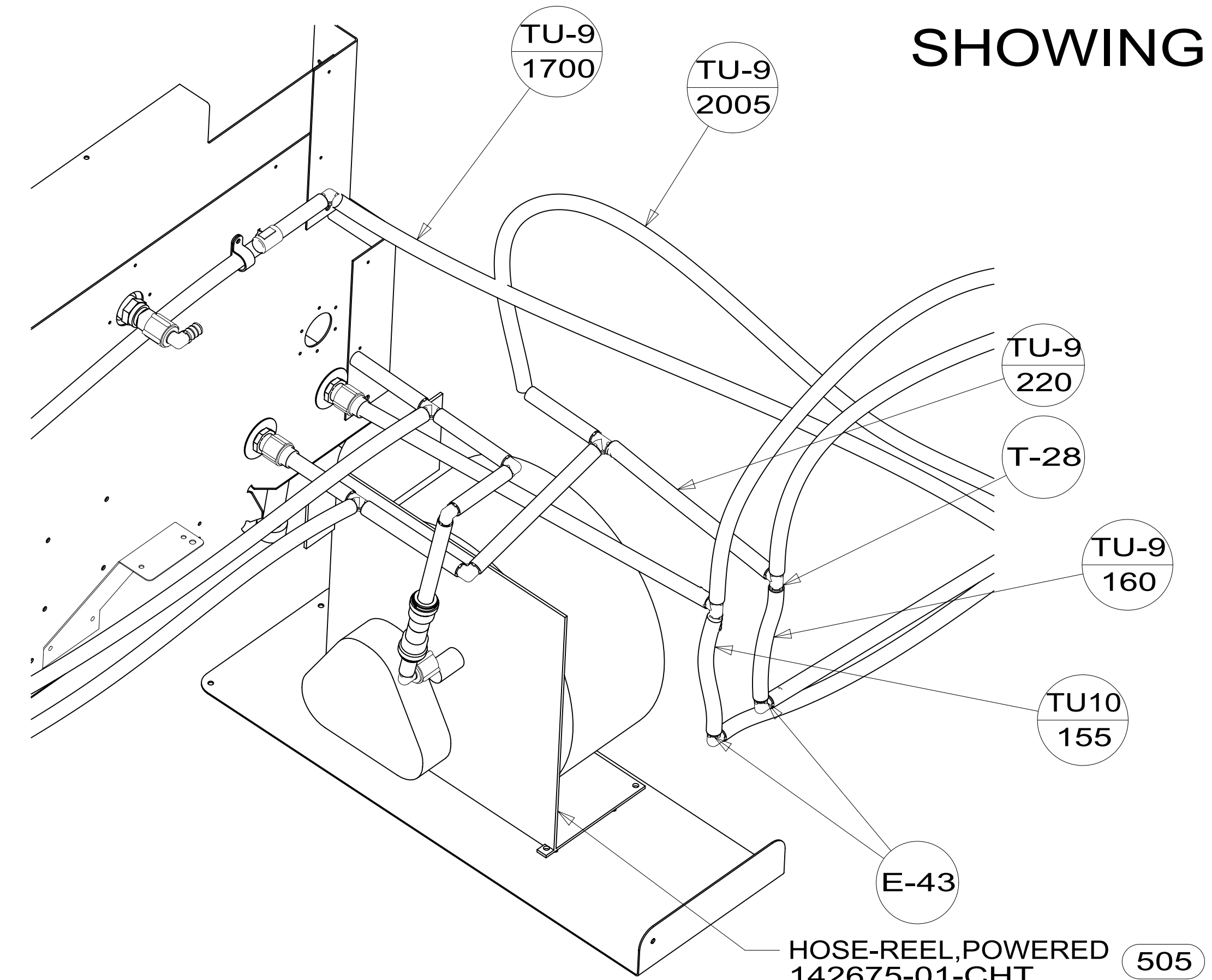
TU-9
295

TU-9
75

E-43

E-44

SHOWING LINES UNDER FLOOR



VIEW DA

HOSE-REEL,POWERED
142675-01-CHT 505
BRACKET
145758-01-CHT
RIVET
118626-01-CHT (4)
SCREW
000G39-10-20U (2)

TU-9
1700

TU-9
2005

TU-9
220

T-28

TU-9
160

TU10
155

E-43

TO FURNACE-HYDRONIC

TU-9
1520

TU10
1565

WATER CENTER ASM
157511-26-XXX

SERVICE CTR ASM
163268-28-XXX

VIEW DB

FIRST USED	15 R42QD	
TITLE:	DO NOT SCALE DRAWING	
SHEET	4	PART NO 189672 REV
		13-Oct-2015

189672