

DWG NO	TOILET-MACERATOR	MODEL
188145-01	170062-01-CHT	R42HD
188145-02	170062-06-CHT	R42HL

RELEASE	REV/DATE	DWG NO	188145
A			
REV ZONE	REVISION RECORD	DATE	DTR-ORIG

D

D

C

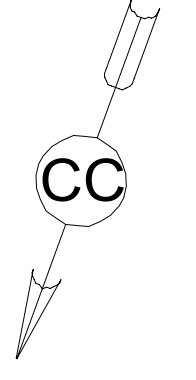
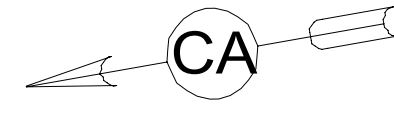
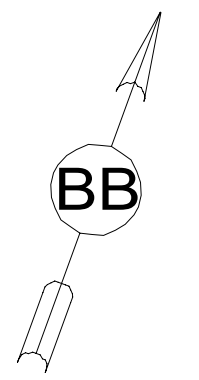
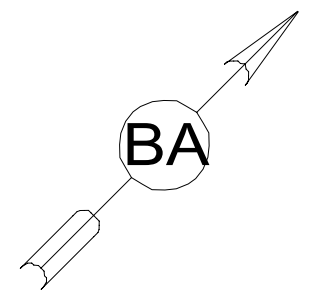
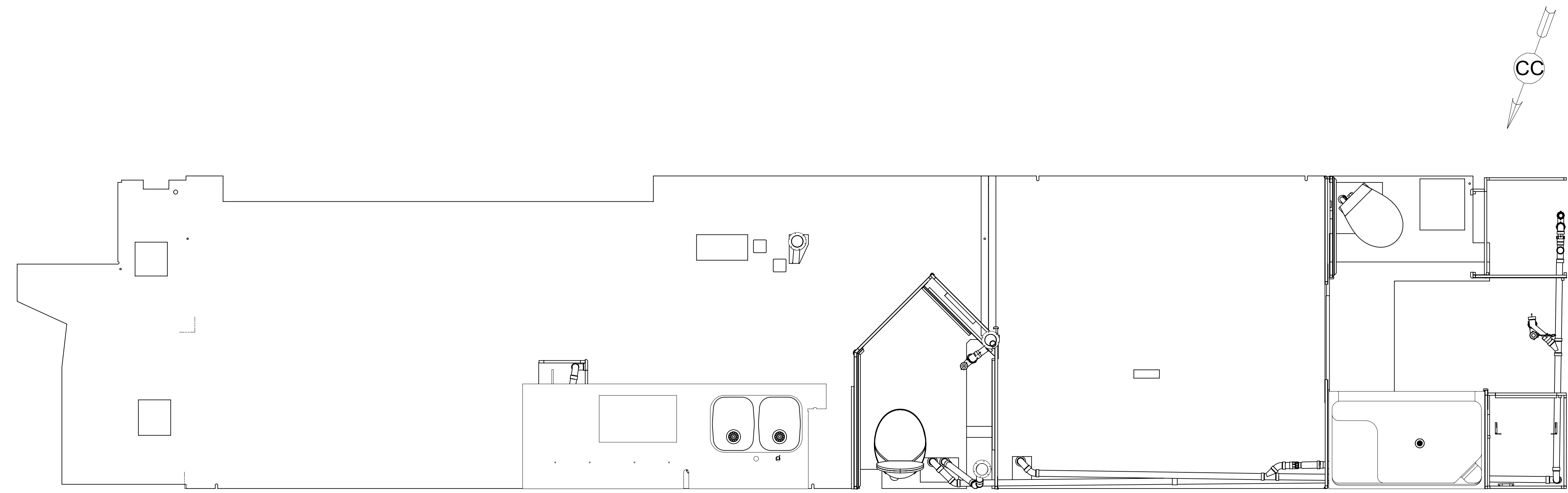
C

B

B

A

A



- 9PC TAILGATE PACKAGE
- 9PA TAILGATE PACKAGE WITHOUT
- 21S WASHER/DRYER STACKED
- 1B1 CODES/STANDARDS USA
- 265 CODES/STDS-CSA,CMVSS
- 54E WASHER DRYER
- 21M WASHER/DRYER PREP
- 214 DISHWASHER DRAWER STYLE

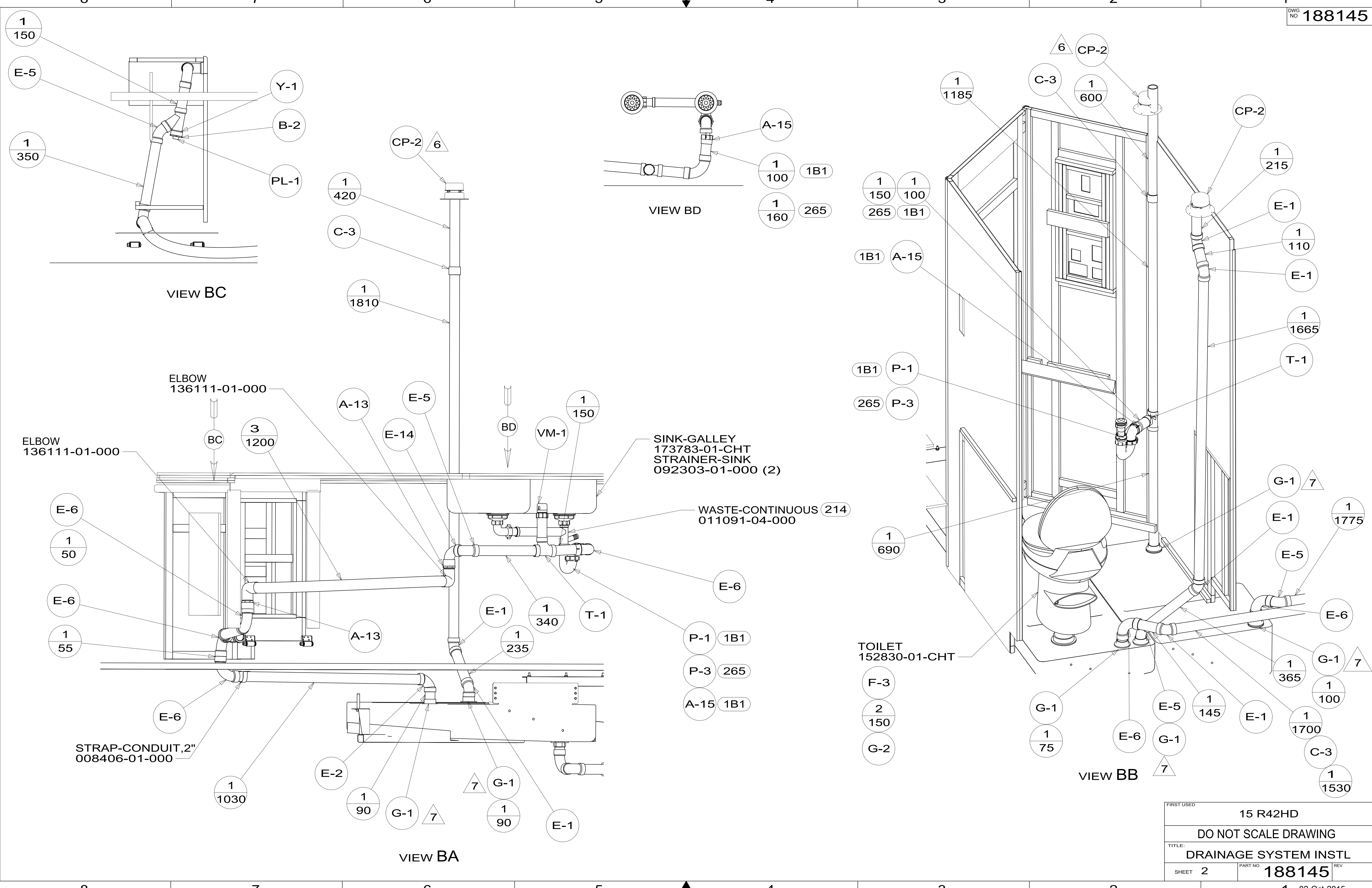
- NOTES:
10. APPLY PRIMER 126427-02-000 AND CEMENT 126427-01-000 BETWEEN ELBOW AND FLEX PIPE.
  9. SEE DRAWING 061607 FOR INSTALLATION OF GROMMETS.
  8. SECURE DRAINAGE PIPES TO CABINET USING WIRE TIE 108046-02-000, AND SCREW 000G67-10-12U AT INTERVALS OF NOT OF NOT MORE THAN 4 FEET APART.
  7. SECURE VENT PIPE TO GROMMET WITH CLAMP 062401-02-000.
  6. VENT PIPE MUST PROJECT 51 MIN AND 64 MAX ABOVE ROOF FOR PROPER FIT AND FUNCTION. ADD S-1 (116666-01-CHT SEAL-VENT PIPE) AROUND PIPE ON ROOF BEFORE VENT CAP IS INSTALLED.
  5. SEAL AROUND SHOWER WITH SILICONE.
  4. USE SMOOTH PLUMBERS PUTTY 167459-01-000 TO SEAL STRAINER (0.2 PER STRAINER).
  3. ALL PIPE AND FITTINGS TO BE ASSEMBLED WITH SOLVENT 004020-01-000 (USA), 004020-02-000 (CAN)
  2. SLOPE OF TRAP ARM MUST BE 6 PER 305 mm.
  1. SLOPE OF HORIZONTAL PIPING TO BE MINIMUM OF 3 PER 305 mm.

FOR DRAINAGE CALLOUTS SEE DWG NO 116229-01-000

**WINNEBAGO** INDUSTRIES, INC. COPYRIGHT 2014

DTR	ORIG. DATE
CHKR	ALL DIMENSIONS ARE IN MILLIMETERS
P.E.	
M.E.	FIRST USED
DSNR	15 R42HD
UNSPECIFIED TOLERANCES ARE:	
WHOLE DIM (X)	: 3
ONE-PLACE (X.X)	: 1.5
TWO-PLACE (X.XX)	: 0.50
ANGLE	: 1°
THIRD ANGLE PROJECTION	
DO NOT SCALE DRAWING	REFER TO ES0018 FOR FASTENER TIGHTENING GUIDELINES
TITLE: DRAINAGE SYSTEM INSTL	
SHEET 1 OF 4	PART NO 188145 REV
REF:	1 02-Oct-2015

\*188145 \*A



8  
7  
6  
5  
4  
3  
2  
1

D  
C  
B  
A

1  
2  
3  
4  
5  
6  
7  
8

D  
C  
B  
A

ELBOW  
136111-01-000

STRAP-CONDUIT, 2"  
008406-01-000

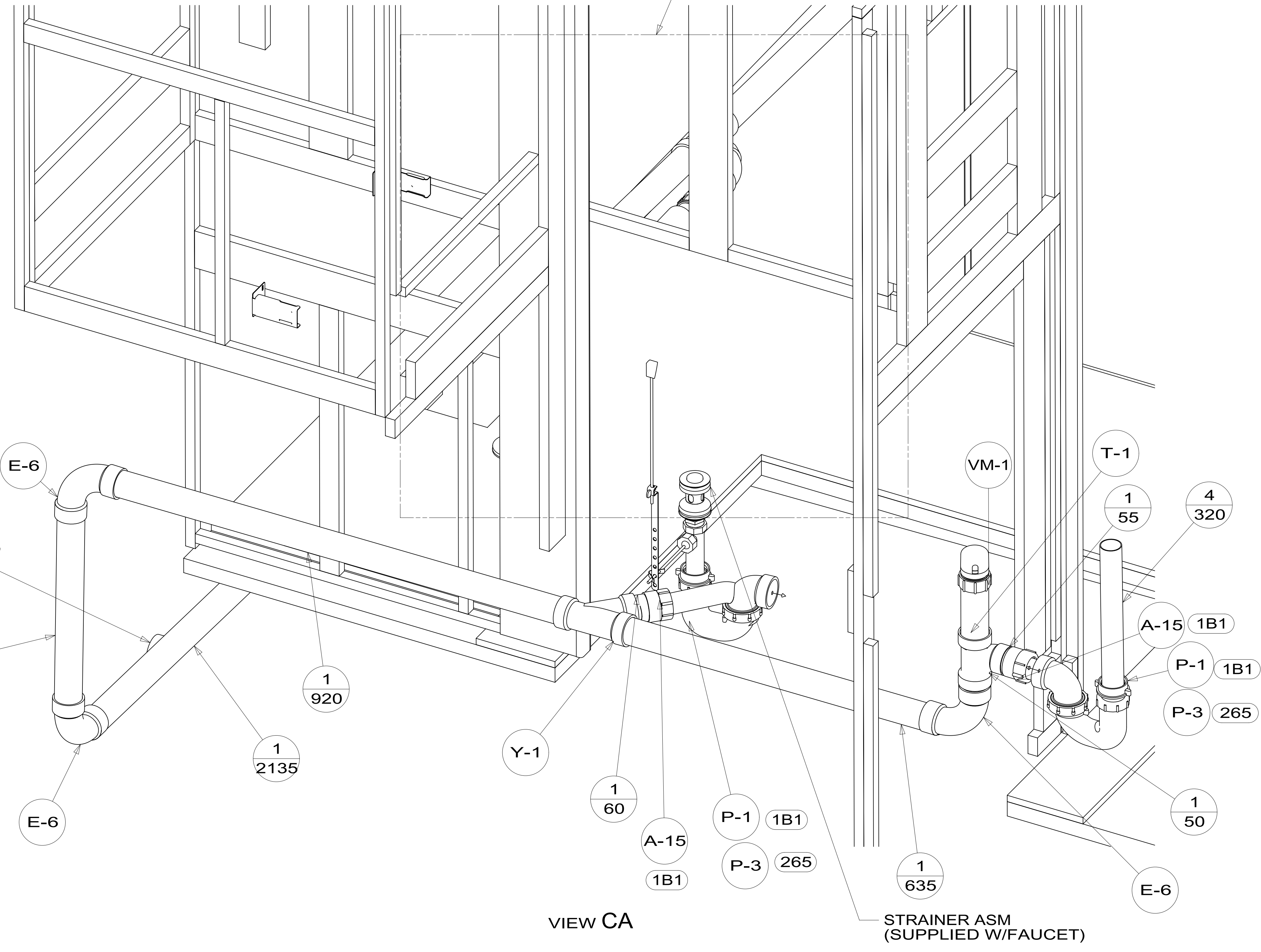
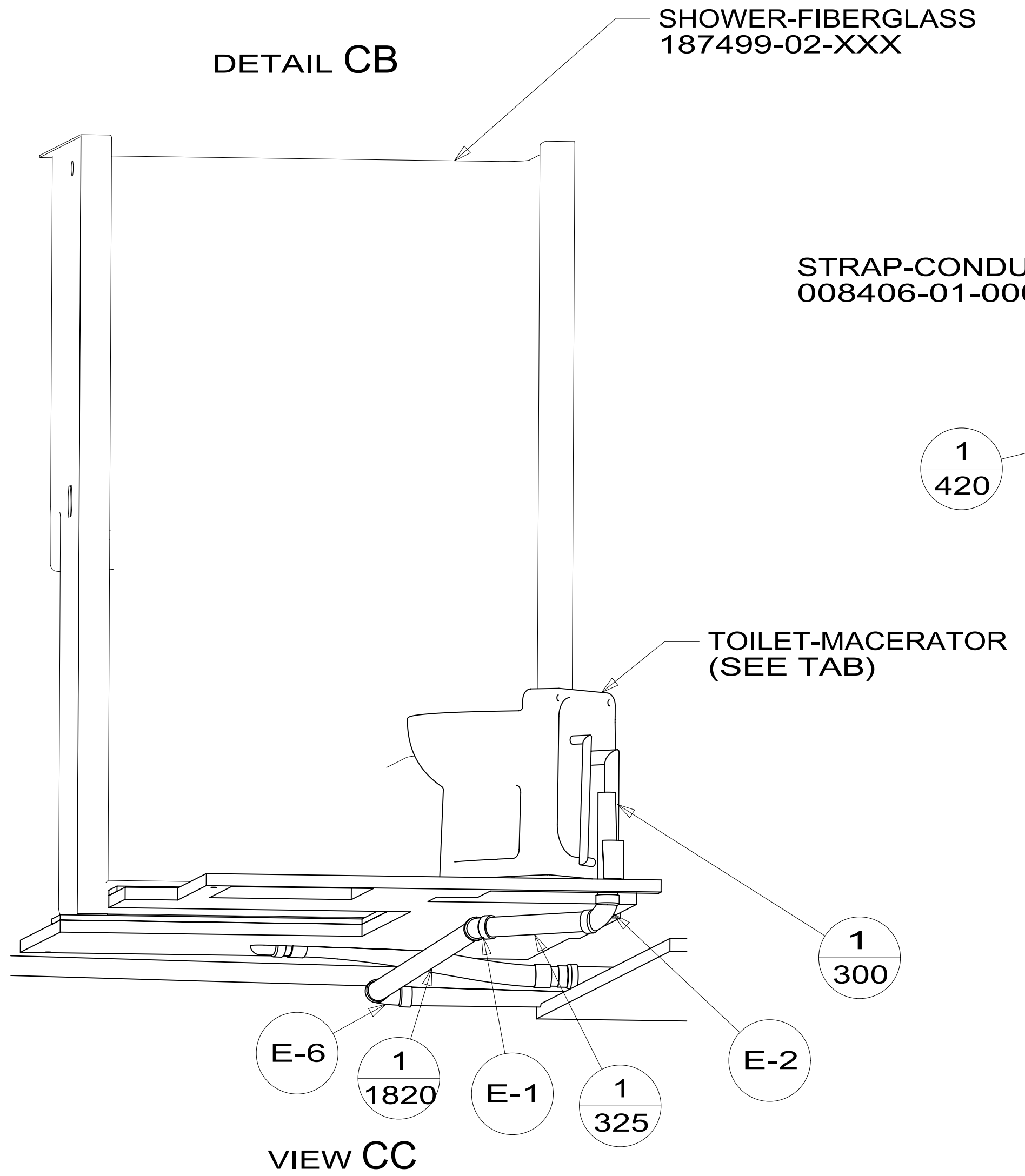
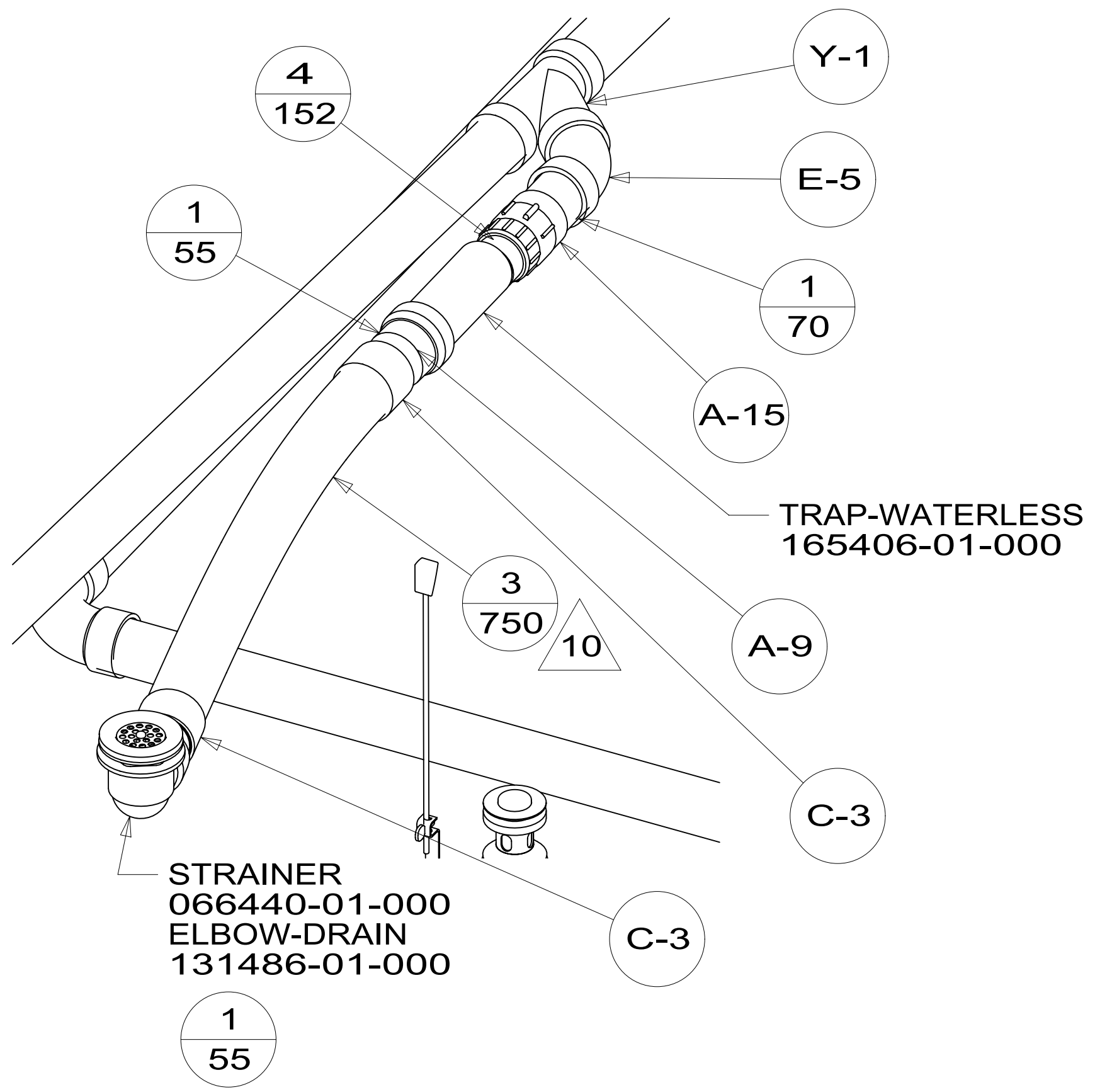
SINK-GALLEY  
173783-01-CHT  
STRAINER-SINK  
092303-01-000 (2)

WASTE-CONTINUOUS  
011091-04-000

TOILET  
152830-01-CHT

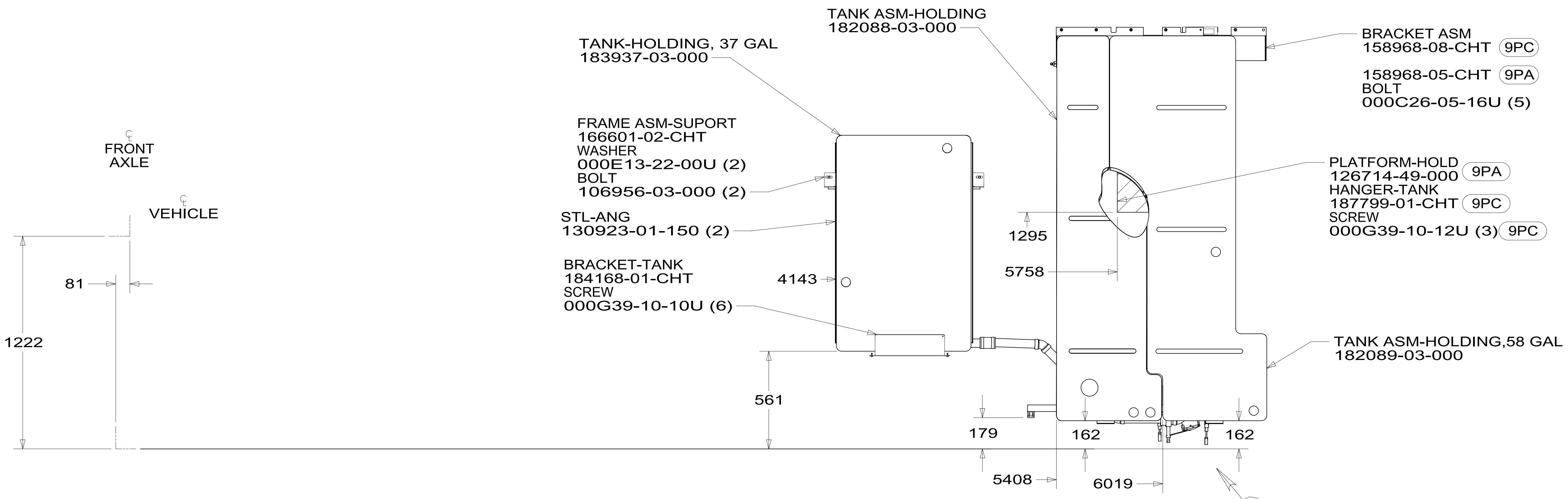
FIRST USED	15 R42HD	
TITLE:	DO NOT SCALE DRAWING	
	DRAINAGE SYSTEM INSTL	
SHEET 2	PART NO	188145
	REV	02-Oct-2015

\*188145\*

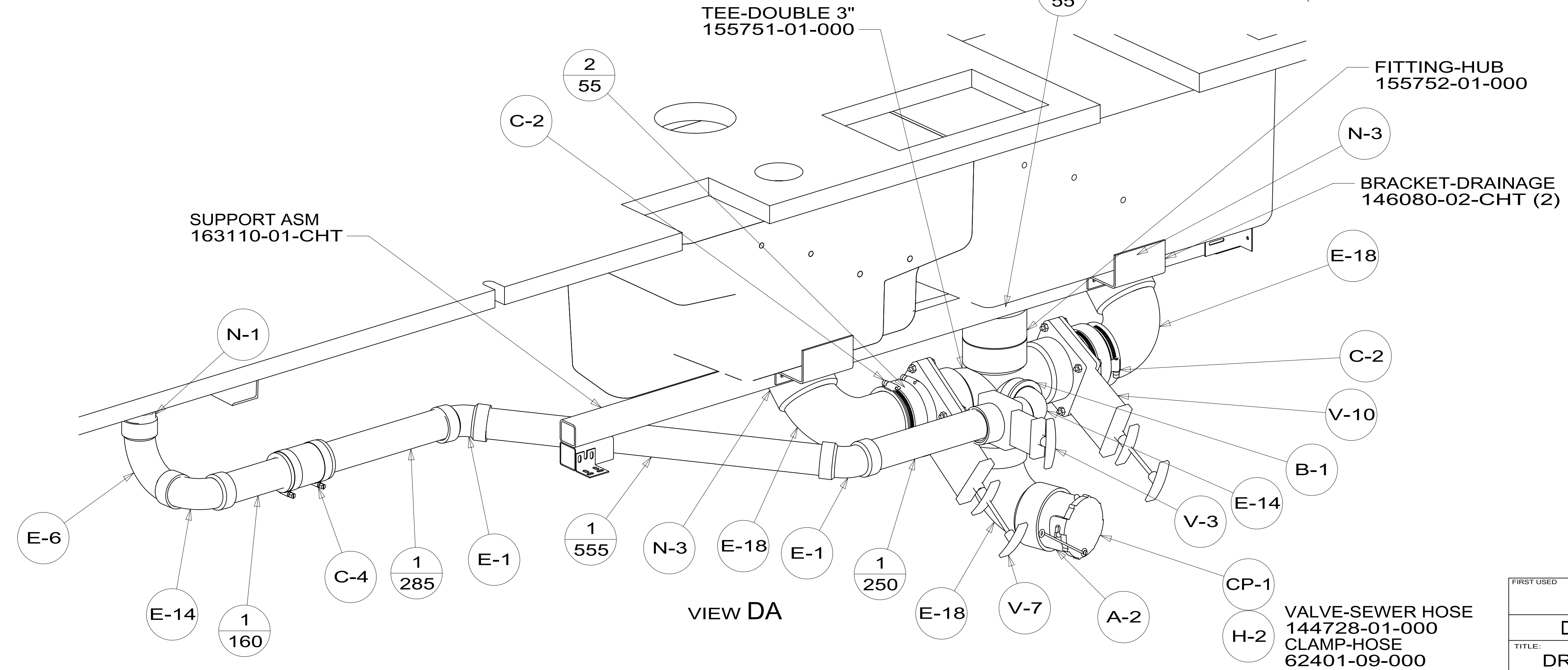


FIRST USED	15 R42HD	
TITLE:	DO NOT SCALE DRAWING	
	DRAINAGE SYSTEM INSTL	
SHEET 3	PART NO 188145	REV
		02-Oct-2015

\*188145\*

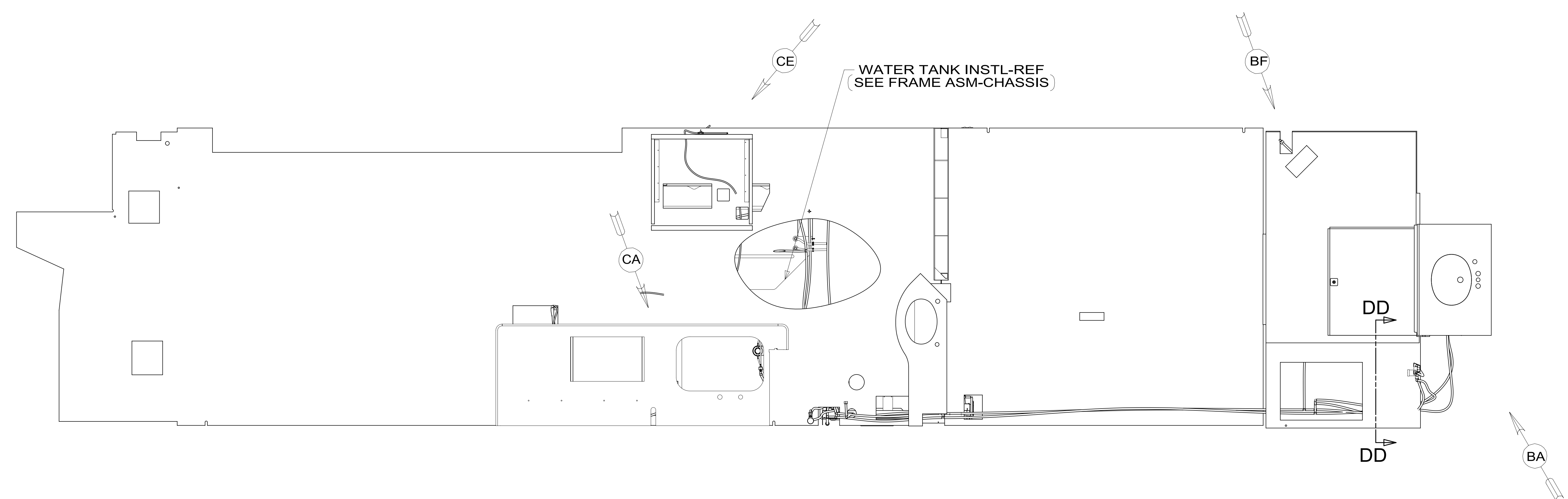


### TOP VIEW SHOWING TANKS AND DRAINS



FIRST USED	15 R42HD	
TITLE:	DO NOT SCALE DRAWING	
SHEET	PART NO	REV
4	188145	
1 02-Oct-2015		

\*188145 \*A



- NOTES:
1. PLASTIC FITTINGS TO BE SEALED WITH SEALANT 084456-01-000.
  2. TUBING TO BE INSTALLED WITH SUFFICIENT SLOPE TO PROVIDE DRAINAGE TO NEAREST VALVE.
  3. ALL TUBING TO BE SECURED AT 1200 INTERVALS MAXIMUM WITH CLAMP 010495-01-000 AND SCREW 000G67-10-12U OR EQUIVALENT.
  4. ADD TEFLON TAPE 010405-02-000.
  5. LABEL HOT AND COLD SUPPLY TUBES AND TAPE FITTING TO TUBE BEFORE CABINET SET TO PREVENT MOVEMENT.
  6. ALL CRIMP FITTINGS TO PEX TUBING REQUIRE 5/8" CLAMP 140171-04-000.
  7. ALL CRIMP FITTINGS TO PEX TUBING REQUIRE 1/2" CLAMP 140171-03-000.
  8. REQUIRES 5 GALLONS OF 182955-01-000 ANTIFREEZE FOR WINTERIZATION.
  9. VALVE MUST REMAIN OPEN AFTER WATER TEST.
  10. INSTALL FAUCET WITHOUT BASE PLATE.
  11. FOR INSTALLATION USE SILICON-ADHESIVE 131264-05-CHT. APPLY ON TOP OF PLATE, PLACE COVER ON, AND PUT ADHESIVE AROUND COVER.

- 9PC TAILGATE PACKAGE
- 21S WASHER & DRYER-PAIR
- 21M WASHER/DRYER PREP
- 214 DISHWASHER-DRAWER STYLE
- 215 DISHWASHER WITHOUT
- 505 HOSE REEL-WATER,POWERED

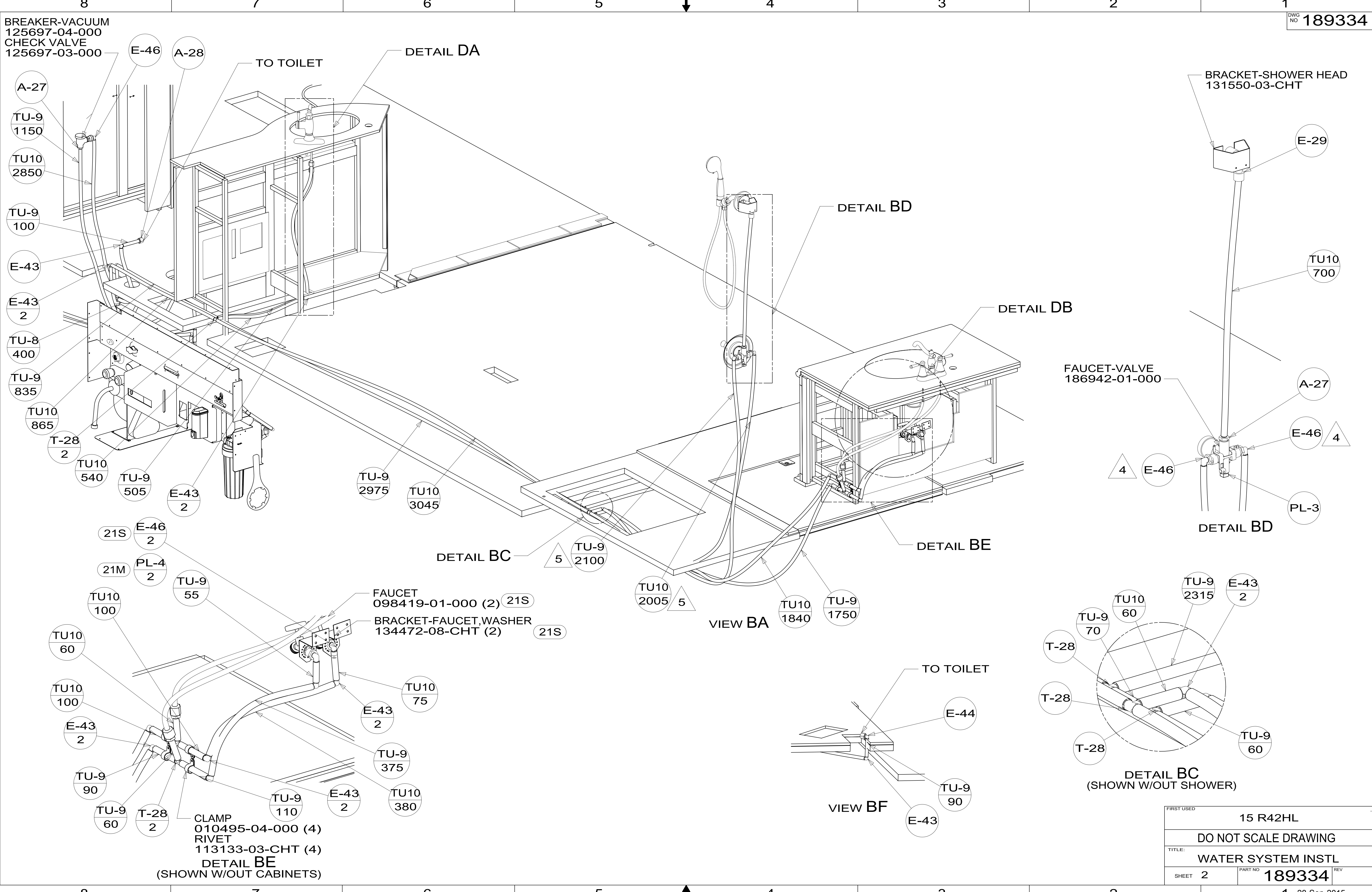
FOR WATER CALLOUTS SEE DWG NO 116230-01-000

<b>WINNEBAGO</b>		COPYRIGHT 2014 WINNEBAGO INDUSTRIES, INC.	
DFT-ORIG	ORIG. DATE	ALL DIMENSIONS ARE IN MILLIMETERS	
CHKR		MATERIAL: 15 R42HL	
P.E.		UNSPECIFIED TOLERANCES ARE:	
M.E.	FIRST USED	WHOLE DIM (X)	: 3
DSNR		ONE-PLACE (X.X)	: 1.5
		TWO-PLACE (X.XX)	: 0.50
		ANGLE	: 1°
		THIRD ANGLE PROJECTION	
DO NOT SCALE DRAWING		REFER TO ES0018 FOR FASTENER TIGHTENING GUIDELINES	
TITLE: WATER SYSTEM INSTL			
SHEET 1 OF 5	PART NO 189334	REV	
REF:	1	28-Sep-2015	

\*189334\*

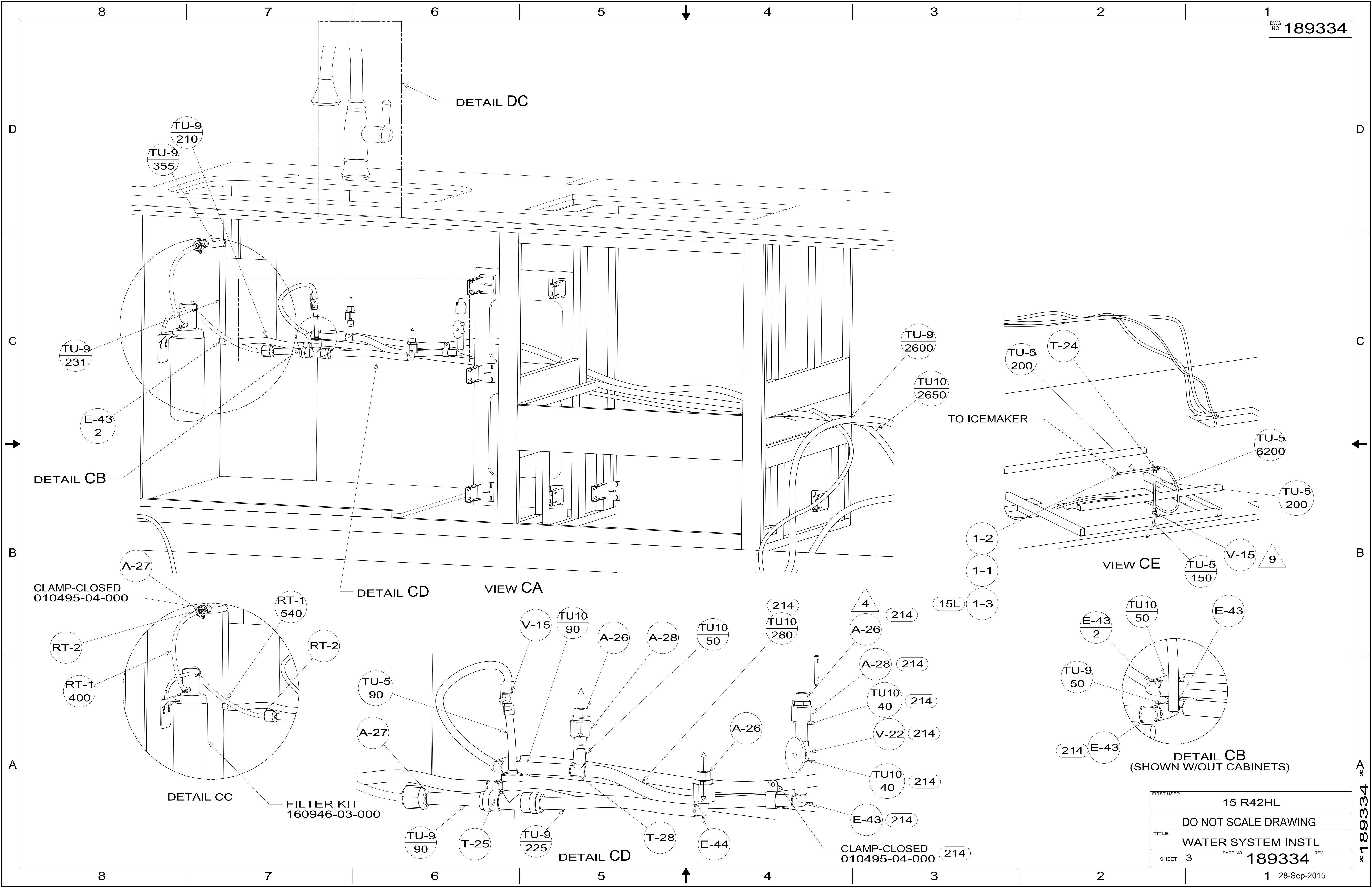


BREAKER-VACUUM  
125697-04-000  
CHECK VALVE  
125697-03-000



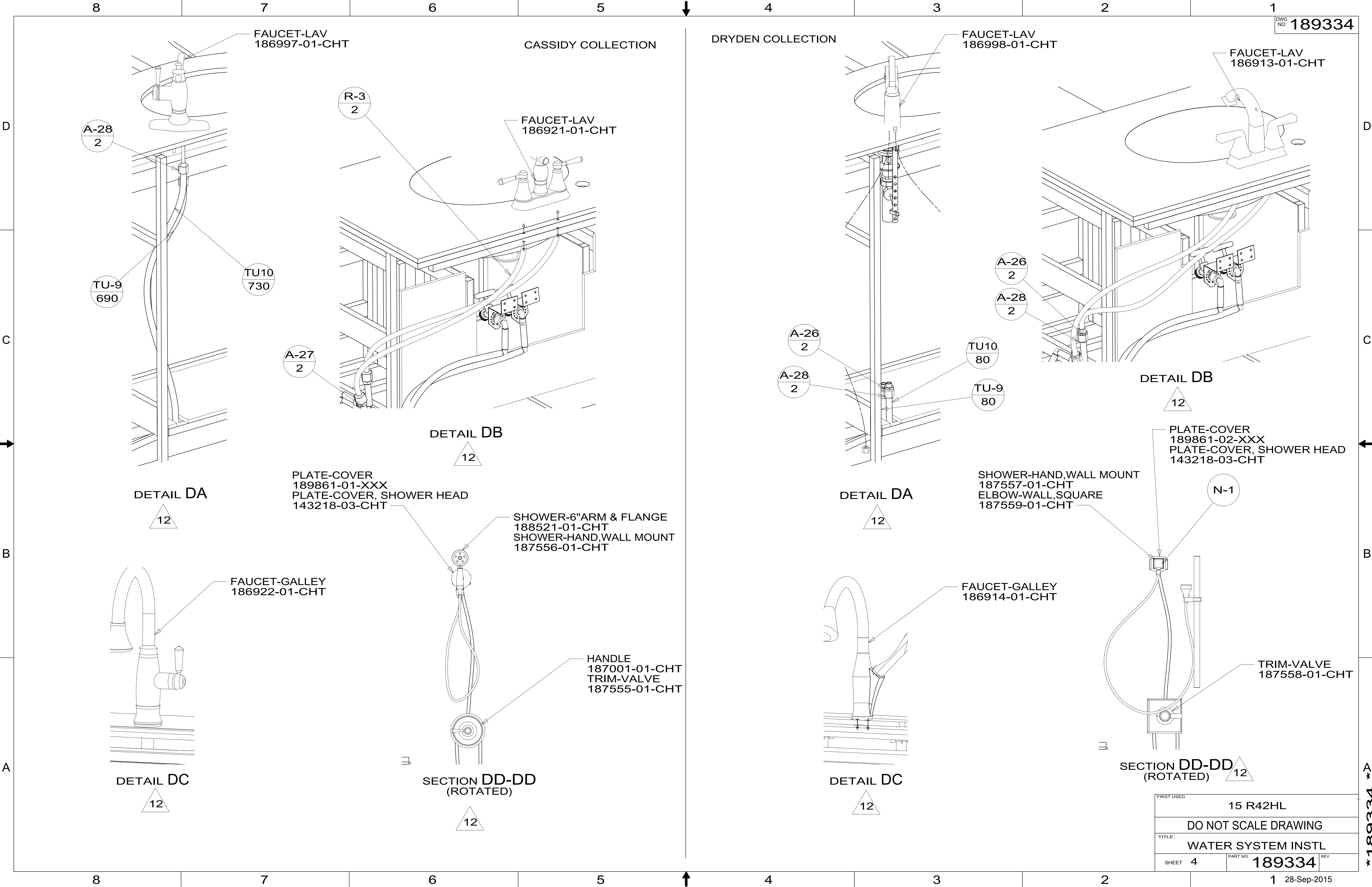
FIRST USED	15 R42HL
DO NOT SCALE DRAWING	
TITLE:	WATER SYSTEM INSTL
SHEET 2	PART NO 189334 REV
1 28-Sep-2015	

\*189334 \*A



FIRST USED	15 R42HL	
TITLE:	DO NOT SCALE DRAWING	
	WATER SYSTEM INSTL	
SHEET 3	PART NO	189334
	REV	

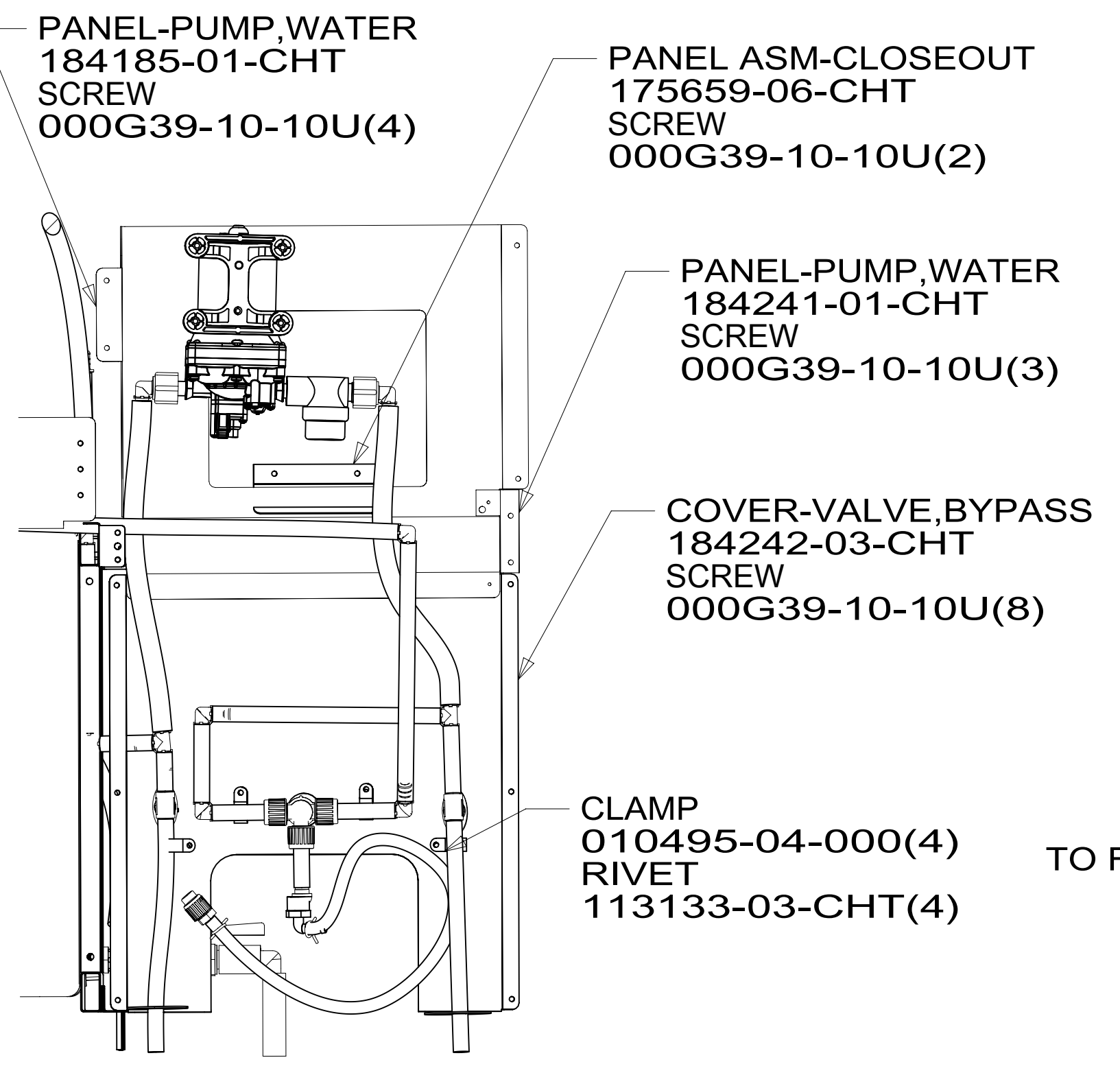
\*189334 \*A



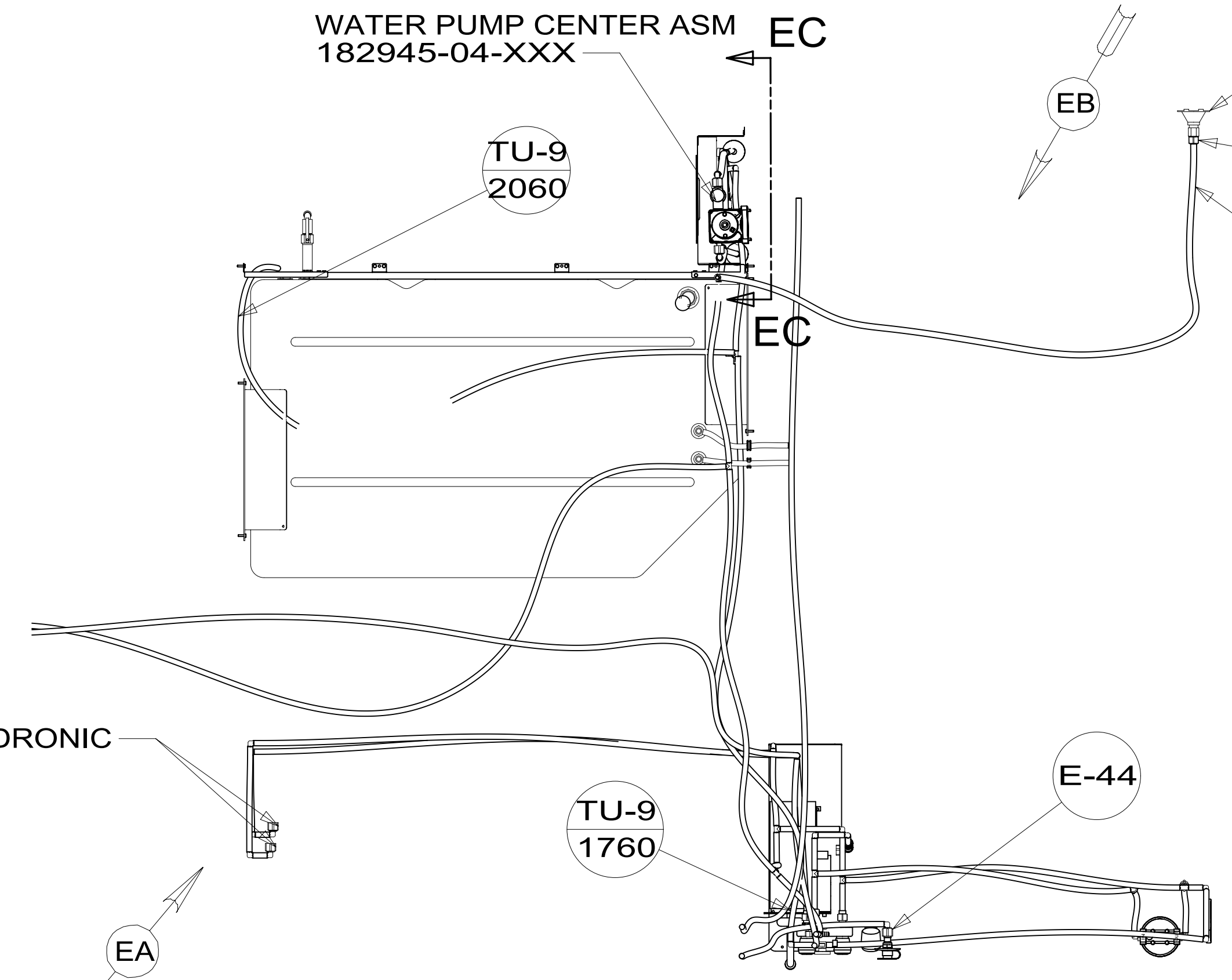
FIRST USED	15 R42HL		
TITLE:	DO NOT SCALE DRAWING		
TITLE:	WATER SYSTEM INSTL		
SHEET 4	PART NO	189334	REV
1 28-Sep-2015			

\*189334\*

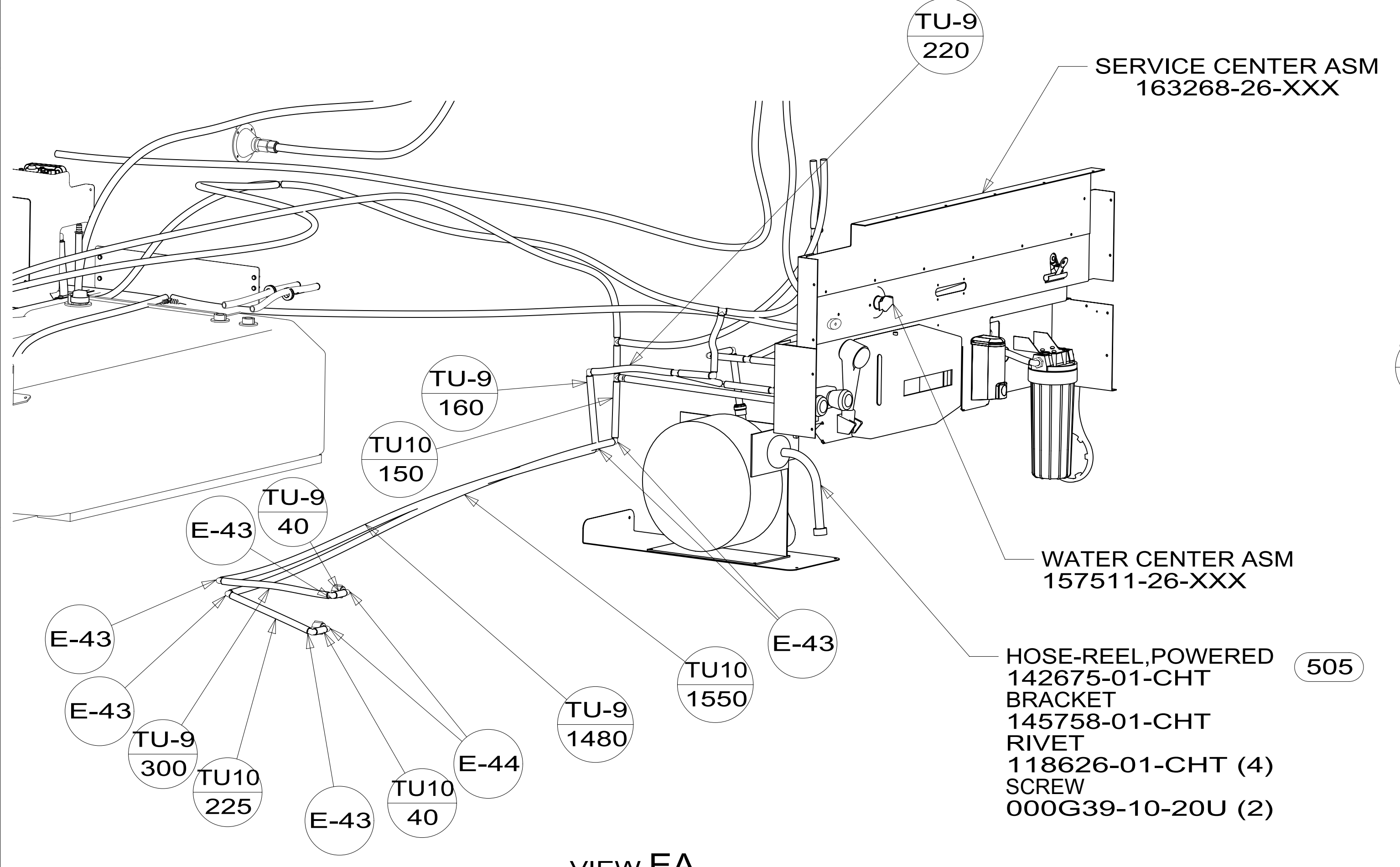




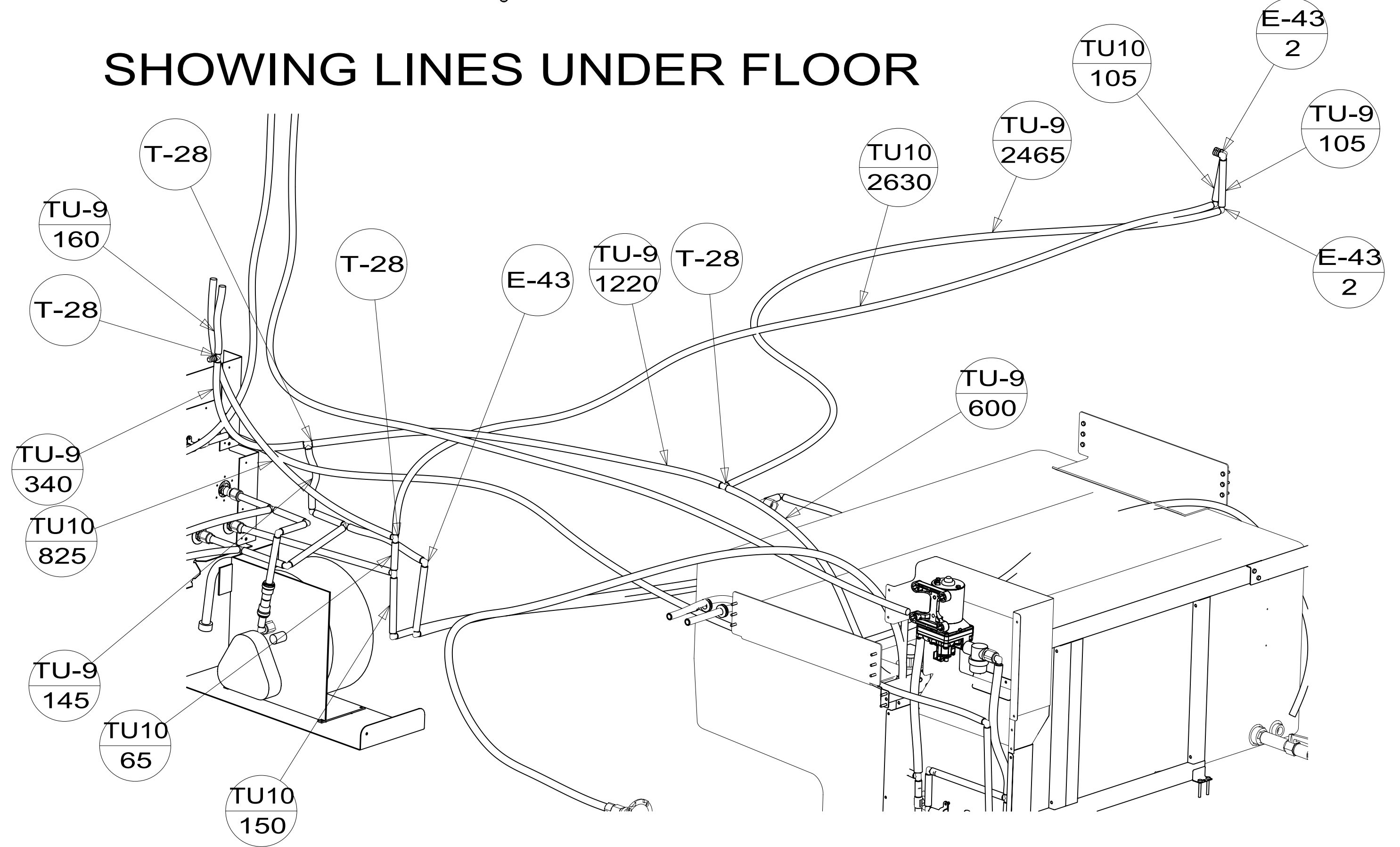
SECTION EC-EC  
(ROTATED)



SHOWING LINES UNDER FLOOR



VIEW EA



VIEW EB

FIRST USED	15 R42HL		
TITLE:	DO NOT SCALE DRAWING		
SHEET	5	PART NO	189334
		REV	1

\*189334\*