

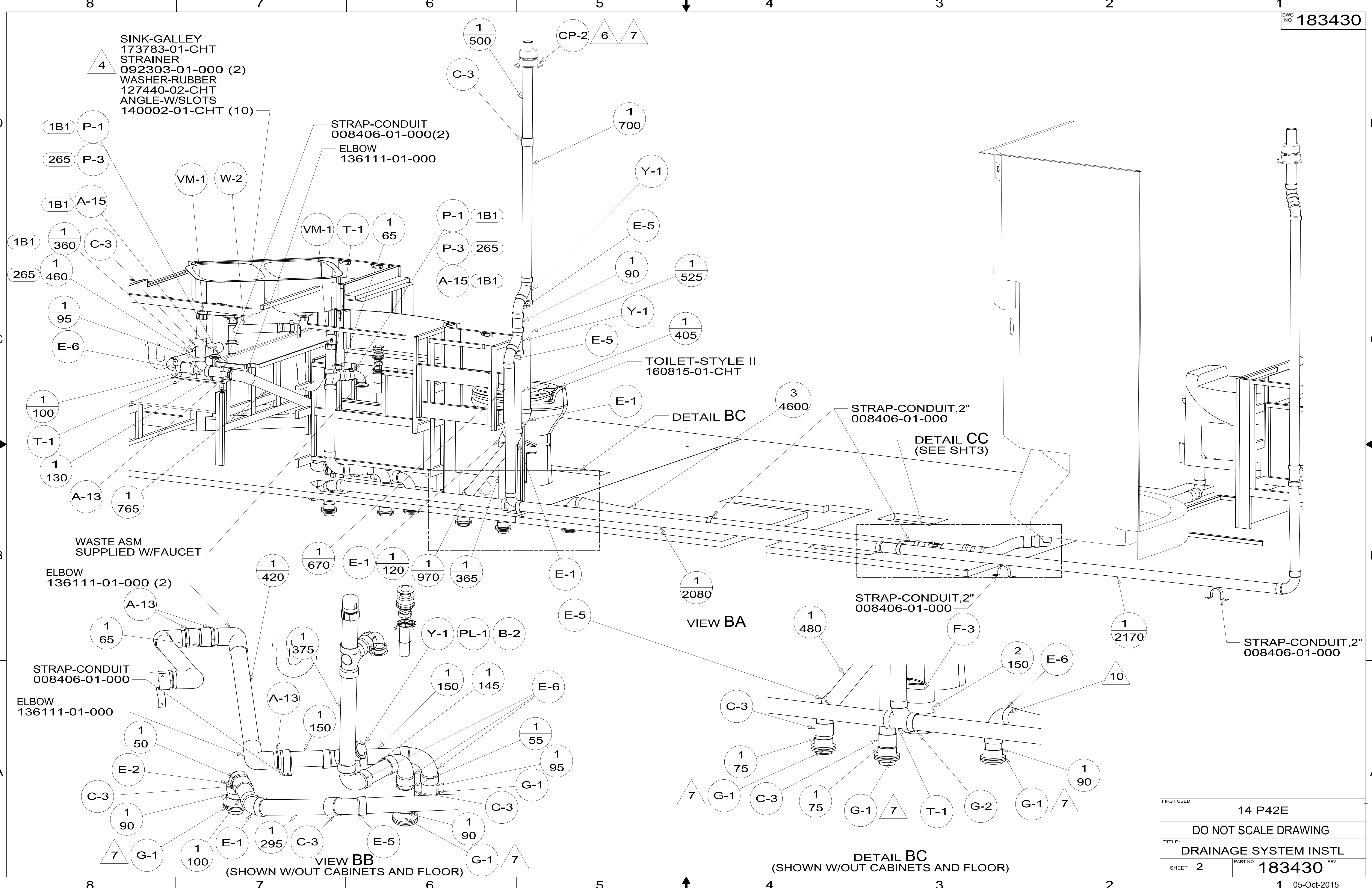
- NOTES:
12. REQUIRES 5 GALLONS RV ANTIFREEZE 182955-01-000 PER TOLIET. FOLLOW TECMA TOLIET WINTERIZATION PROCEDURE.
 11. GLUE FITTING AFTER CABINET IS INSTALLED.
 10. APPLY PRIMER 126427-02-000 AND CEMENT 126427-01-000 BETWEEN ELBOW AND FLEX PIPE.
 9. SEE DRAWING 061607 FOR INSTALLATION OF GROMMETS.
 8. SECURE DRAINAGE PIPES TO CABINET USING WIRE TIE 108046-02-000, AND SCREW 000G67-10-12U AT INTERVALS OF NOT OF NOT MORE THAN 4 FEET APART.
 7. SECURE VENT PIPE TO GROMMET WITH CLAMP 062401-02-000.
 6. VENT PIPE MUST PROJECT 51 MIN AND 64 MAX ABOVE ROOF FOR PROPER FIT AND FUNCTION. ADD S-1 (116666-01-CHT SEAL-VENT PIPE) AROUND PIPE ON ROOF BEFORE VENT CAP IS INSTALLED.
 5. SEAL AROUND SHOWER WITH SILICONE.
 4. USE SMOOTH PLUMBERS PUTTY 167459-01-000 TO SEAL STRAINER (0.2 PER STRAINER).
 3. ALL PIPE AND FITTINGS TO BE ASSEMBLED WITH SOLVENT 004020-01-000 (USA), 004020-02-000 (CAN)
 2. SLOPE OF TRAP ARM MUST BE 6 PER 305 mm.
 1. SLOPE OF HORIZONTAL PIPING TO BE MINIMUM OF 3 PER 305 mm.

- 21S WASHER/DRYER STACKED
- 1B1 CODES/STANDARDS USA
- 265 CODES/STDS-CSA,CMVSS
- 21M WASHER/DRYER PREP

FOR DRAINAGE CALLOUTS SEE DWG NO 116229-01-000

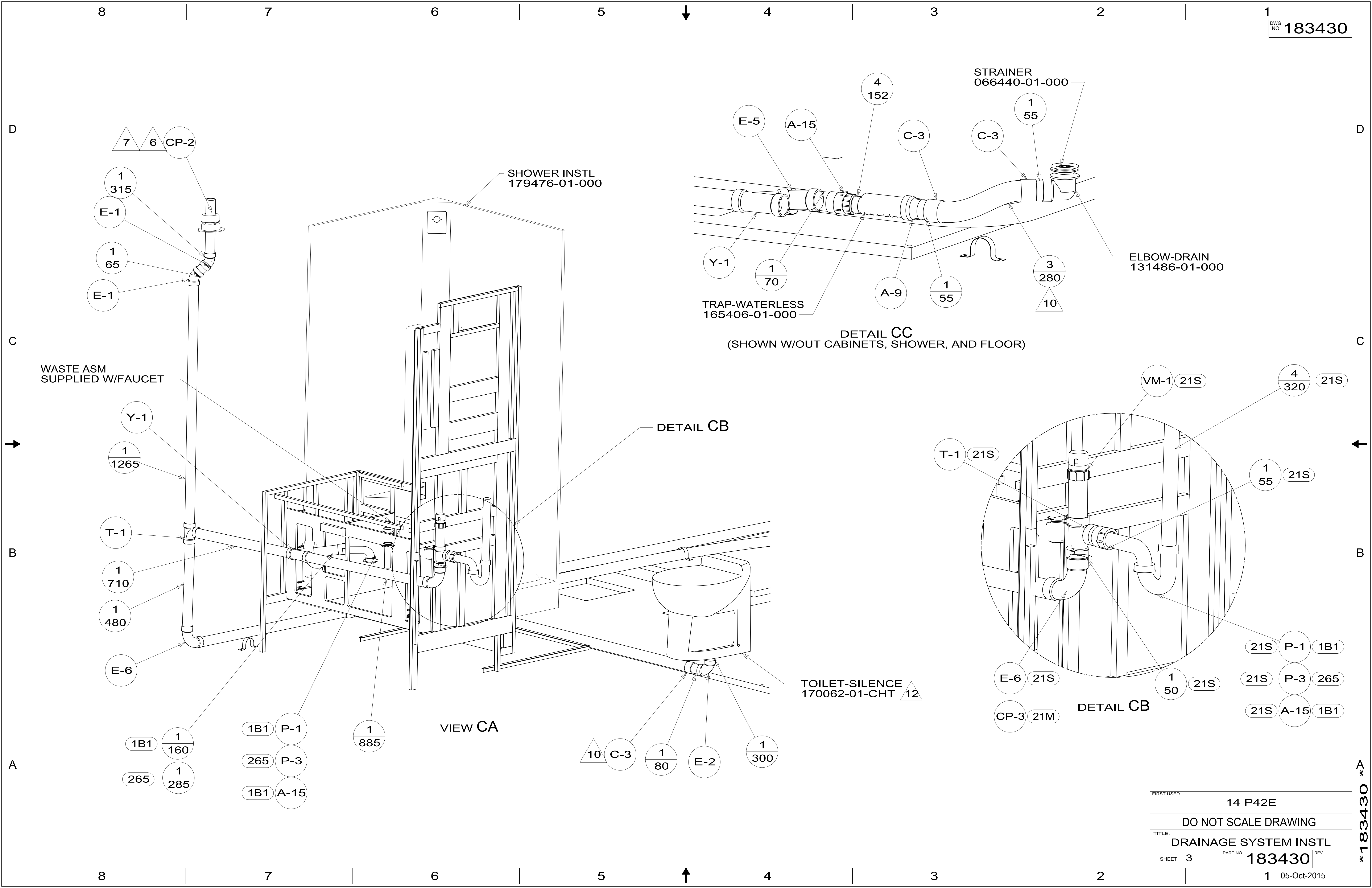
		COPYRIGHT 2014 WINNEBAGO INDUSTRIES, INC.
DFT-ORIG	ORIG. DATE	
CHKR	ALL DIMENSIONS ARE IN MILLIMETERS	
P.E.		
M.E.	FIRST USED	
DSNR	14 P42E	
UNSPECIFIED TOLERANCES ARE:		
WHOLE DIM (X)	: 3	
ONE-PLACE (X.X)	: 1.5	
TWO-PLACE (X.XX)	: 0.50	
ANGLE	: 1°	
THIRD ANGLE PROJECTION		
DO NOT SCALE DRAWING	REFER TO ES0018 FOR FASTENER TIGHTENING GUIDELINES	
TITLE: DRAINAGE SYSTEM INSTL		
SHEET 1 OF 4	PART NO 183430	REV
REF:	1 05-Oct-2015	

*183430 *A



FIRST USED	14 P42E	
TITLE:	DO NOT SCALE DRAWING	
	DRAINAGE SYSTEM INSTL	
SHEET 2	PART NO 183430	REV
		1 05-Oct-2015

183430



SHOWER INSTL
179476-01-000

STRAINER
066440-01-000

ELBOW-DRAIN
131486-01-000

TRAP-WATERLESS
165406-01-000

DETAIL CC
(SHOWN W/OUT CABINETS, SHOWER, AND FLOOR)

WASTE ASM
SUPPLIED W/FAUCET

DETAIL CB

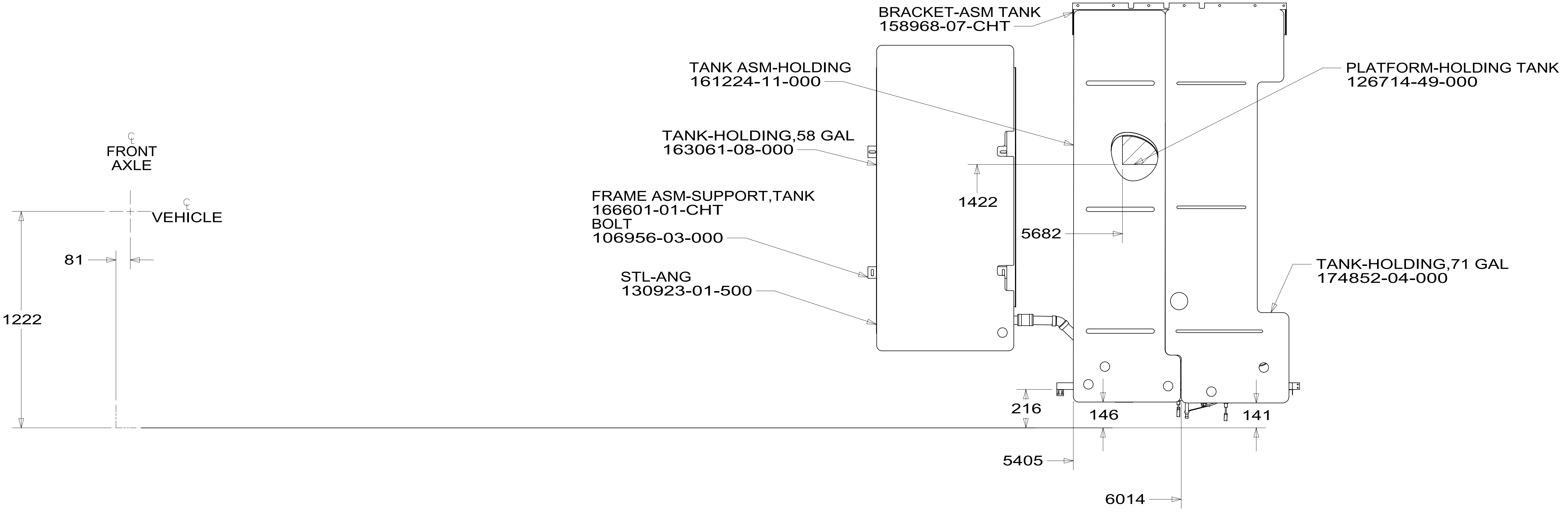
TOILET-SILENCE
170062-01-CHT 12

VIEW CA

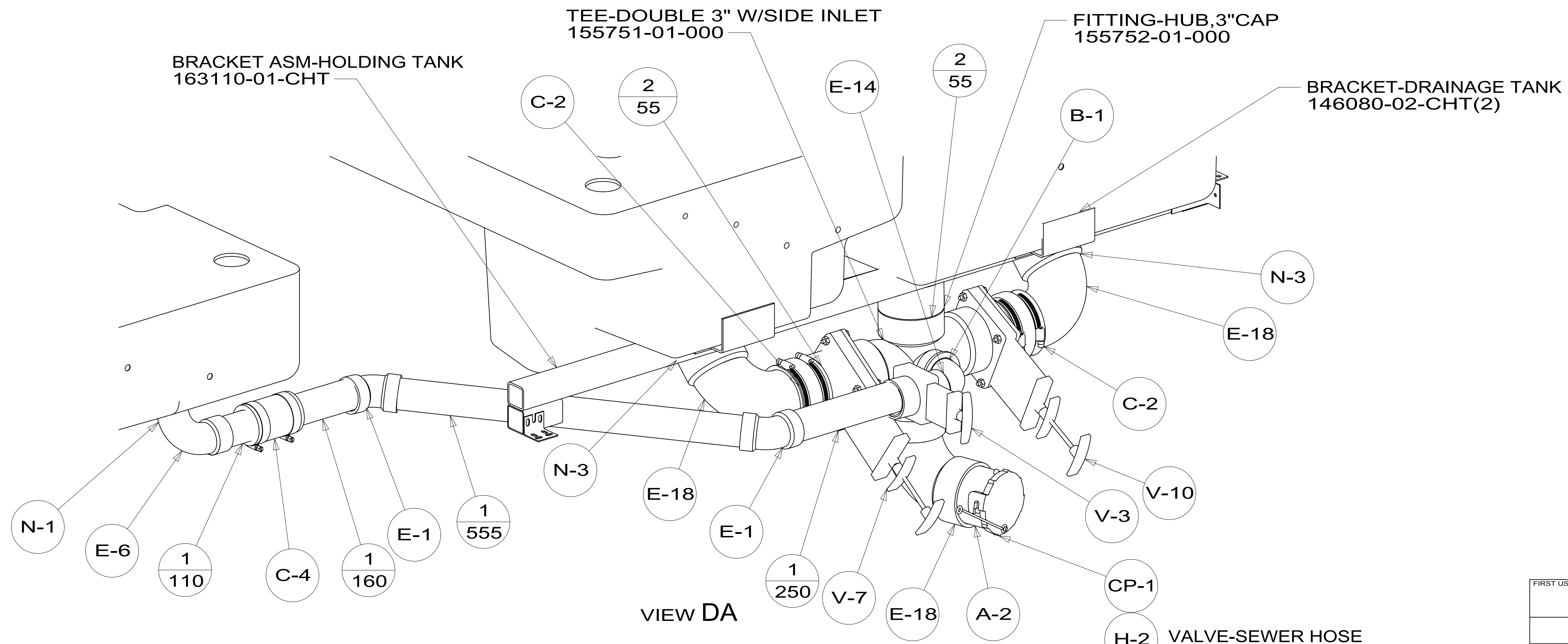
DETAIL CB

FIRST USED	14 P42E	
TITLE:	DO NOT SCALE DRAWING	
TITLE:	DRAINAGE SYSTEM INSTL	
SHEET 3	PART NO 183430	REV
		1 05-Oct-2015

183430



TOP VIEW SHOWING TANKS AND DRAINS

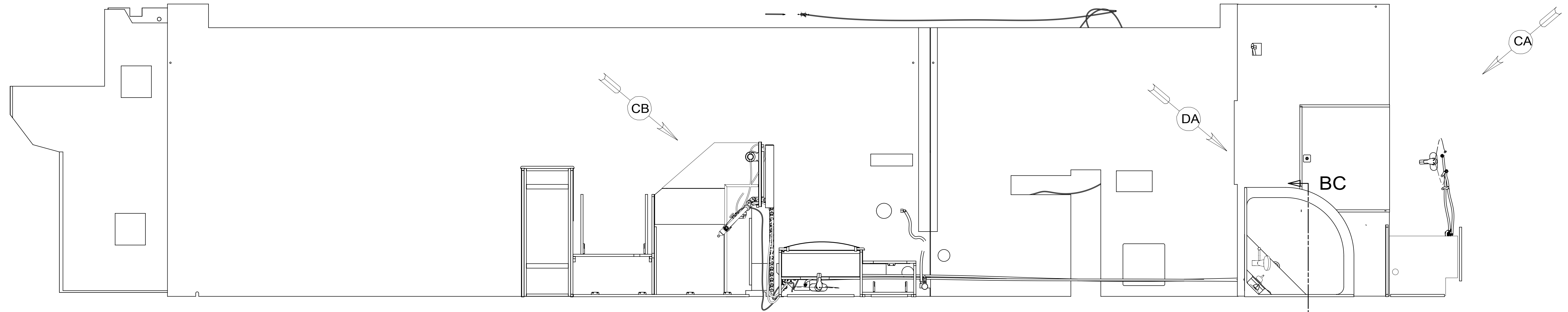


VIEW DA

VALVE-SEWER HOSE
144728-01-000
CLAMP-HOSE
62401-09-000

FIRST USED	14 P42E	
TITLE:	DO NOT SCALE DRAWING	
TITLE:	DRAINAGE SYSTEM INSTL	
SHEET 4	PART NO	183430
	REV	1
		05-Oct-2015

*183430 *A



- NOTES:
11. FOR INSTALLATION USE SILICON ADHESIVE 131264-05-CHT. APPLY ON TOP OF PLATE, PLACE COVER ON, AND PUT ADHESIVE AROUND COVER.
 10. INSTALL FAUCET W/OUT BASEPLATE.
 9. VALVE MUST REMAIN OPEN AFTER WATER TEST.
 8. ALL CRIMP FITTINGS TO 1/2" PEX TUBING REQUIRE 1/2" CLAMP 140171-03-000.
 7. ALL CRIMP FITTINGS TO 5/8" PEX TUBING REQUIRE 5/8" CLAMP 140171-04-000.
 6. LABEL HOT AND COLD SUPPLY TUBES AND TAPE FITTING TO TUBE BEFORE CABINET SET TO PREVENT MOVEMENT.
 5. ADD PIPE WRAP (LADDER SCRAP 110157-02-000) INSULATION.
 4. ADD TEFLON TAPE 010405-02-000.
 3. ALL TUBING TO BE SECURED AT 1200 INTERVALS MAXIMUM WITH CLAMP 010495-01-000 AND SCREW 000G67-10-12U OR EQUIVALENT.
 2. TUBING TO BE INSTALLED WITH SUFFICIENT SLOPE TO PROVIDE DRAINAGE TO NEAREST VALVE.
 1. PLASTIC FITTINGS TO BE SEALED WITH SEALANT 084456-01-000.

- 1B2 WTR HTR-10GAL/ELEC/LP/MTR/AID
- 1BT WATER HEATER, TANKLESS
- 21S WASHER & DRYER-PAIR
- 21M WASHER/DRYER PREP

FOR WATER CALLOUTS SEE DWG NO 116230-01-000

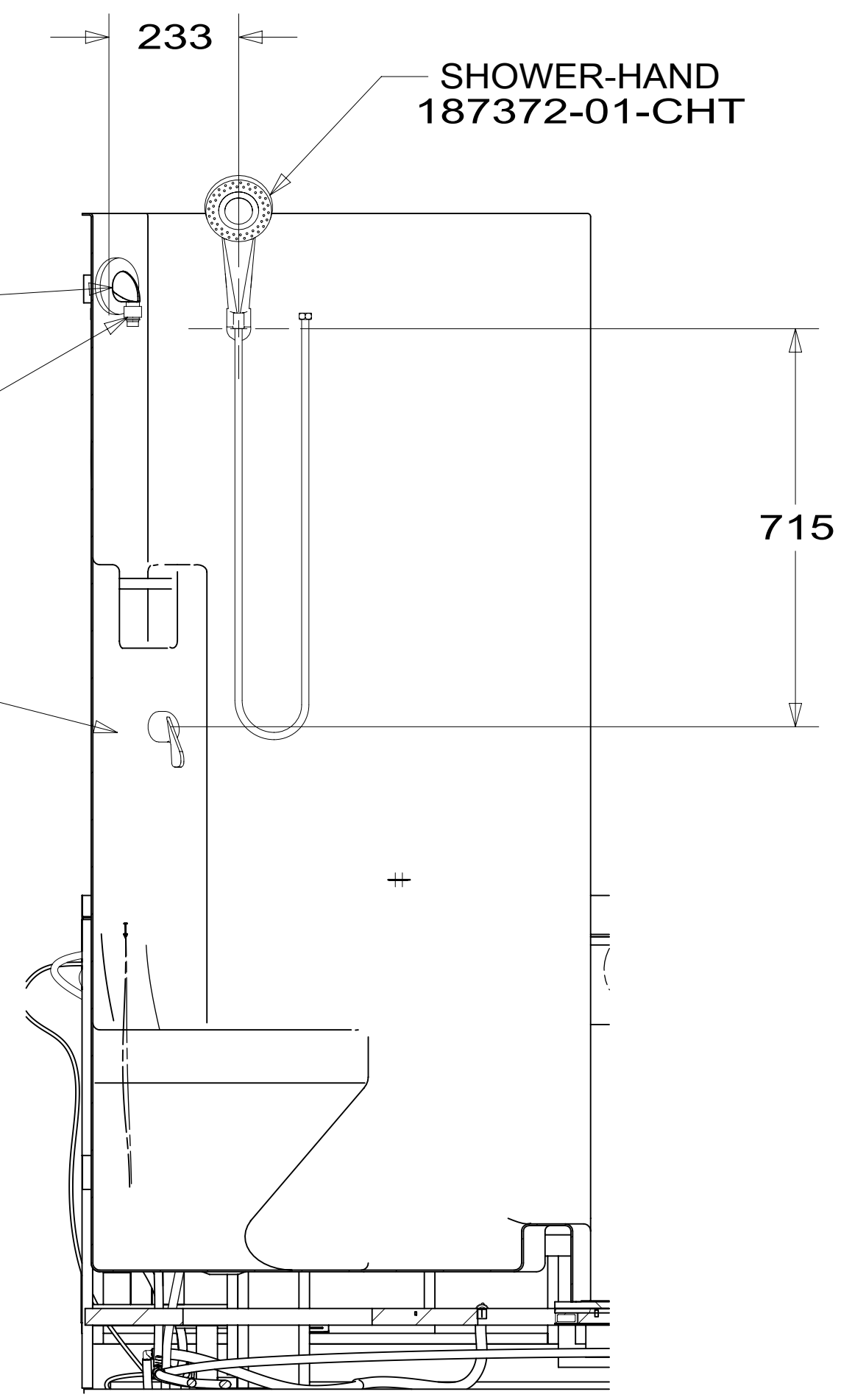
WINNEBAGO		COPYRIGHT 2014 WINNEBAGO INDUSTRIES, INC.	
DFTR	ORIG. DATE	ALL DIMENSIONS ARE IN MILLIMETERS	
CHKR			
P.E.			
M.E.	FIRST USED		
DSNR		15 P42E	
UNSPECIFIED TOLERANCES ARE:		MATERIAL:	
WHOLE DIM (X)	: 3		
ONE-PLACE (X.X)	: 1.5		
TWO-PLACE (X.XX)	: 0.50		
ANGLE	: 1°		
THIRD ANGLE PROJECTION			
DO NOT SCALE DRAWING		REFER TO ES0018 FOR FASTENER TIGHTENING GUIDELINES	
TITLE: WATER SYSTEM INSTL			
SHEET 1 OF 5	PART NO 189802	REV	
REF:	1	12-Jun-2015	

189802

DROP ELL
135028-02-CHT
PLATE-COVER
189861-01-XXX
PLATE-COVER
143218-03-CHT

VACUUM BREAKER
176678-01-CHT

FAUCET-VALVE, SHOWER
180180-01-CHT
FAUCET-TRIM KIT
180180-02-CHT



SECTION BC-BC
(SHOWN W/OUT CABINETS)

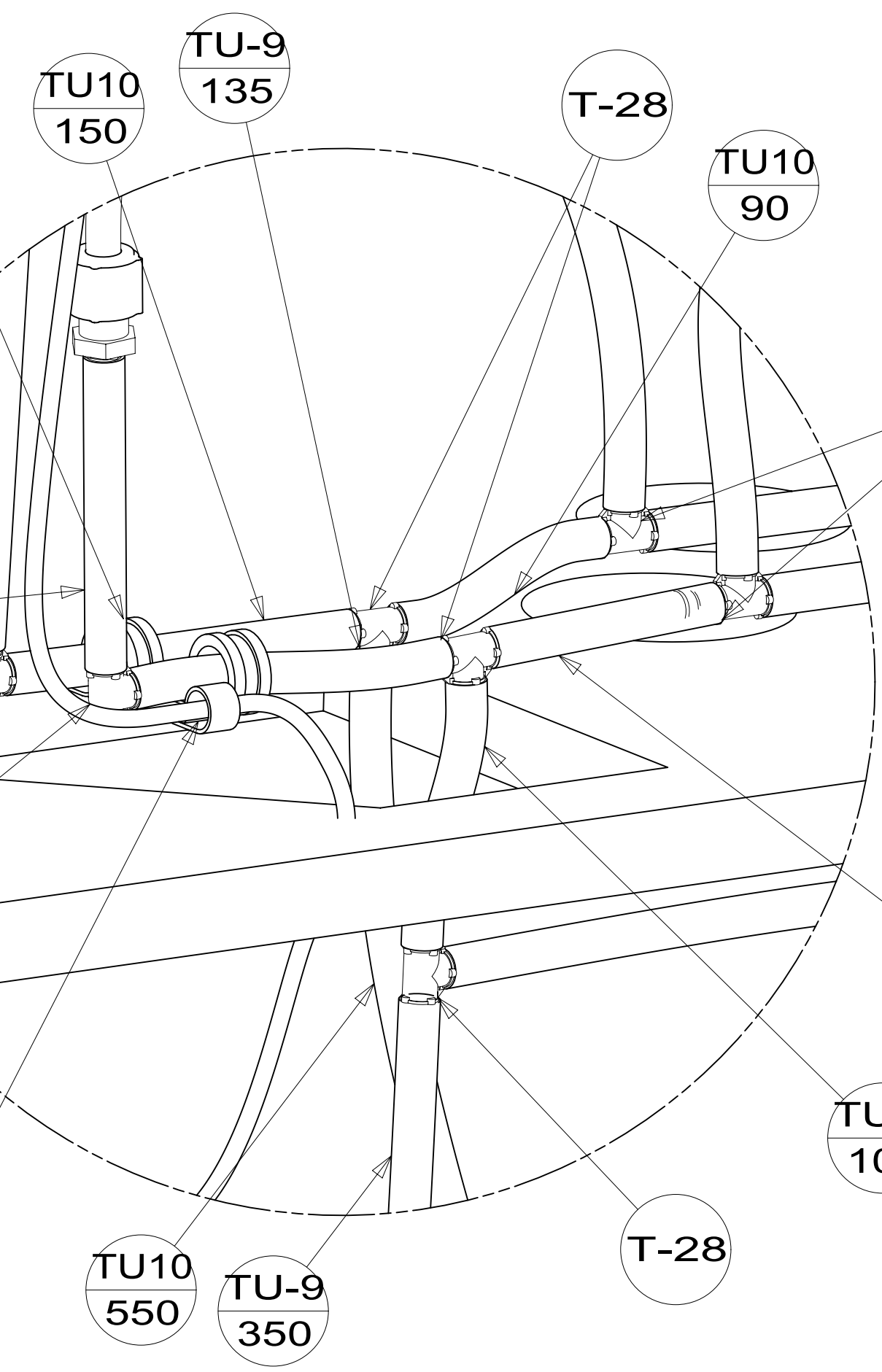
CLAMP-CLOSED
010497-10-000(2)

TU10
170

TU-9
120

E-43

CLAMP-CLOSED
010495-01-000



DETAIL BB
(SHOWN W/OUT CABINETS)

N-1
BRACKET
131550-03-CHT

TU10
675

E-29

E-44

E-10

E-46

E-46

BRACKET-VALVE
159640-03-CHT
1B2

BREAKER-VACUUM
125697-04-000
CHECK VALVE
125697-03-000

FAUCET
178237-01-CHT

TO TOILET
TU-9
1900

A-28
2

A-26
2

A-27
2

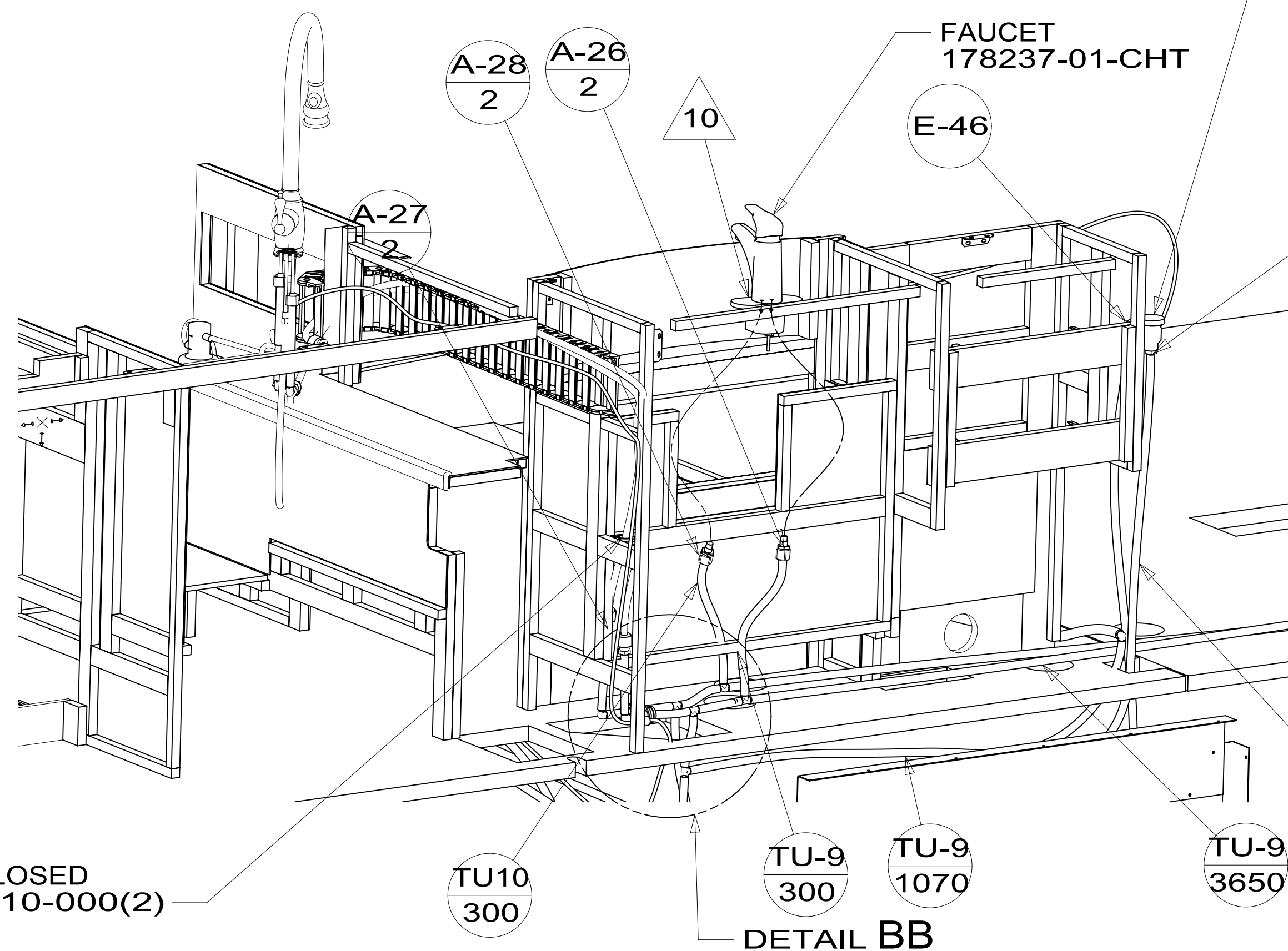
E-46

A-27

E-43

E-44

TU-8
300



VIEW BA

CLAMP-CLOSED
010497-10-000(2)

TU10
300

TU-9
300

TU-9
1070

TU-9
3650

TU-9
1425

TU10
3585

TU10
1195

T-28

TU-9
65

T-28

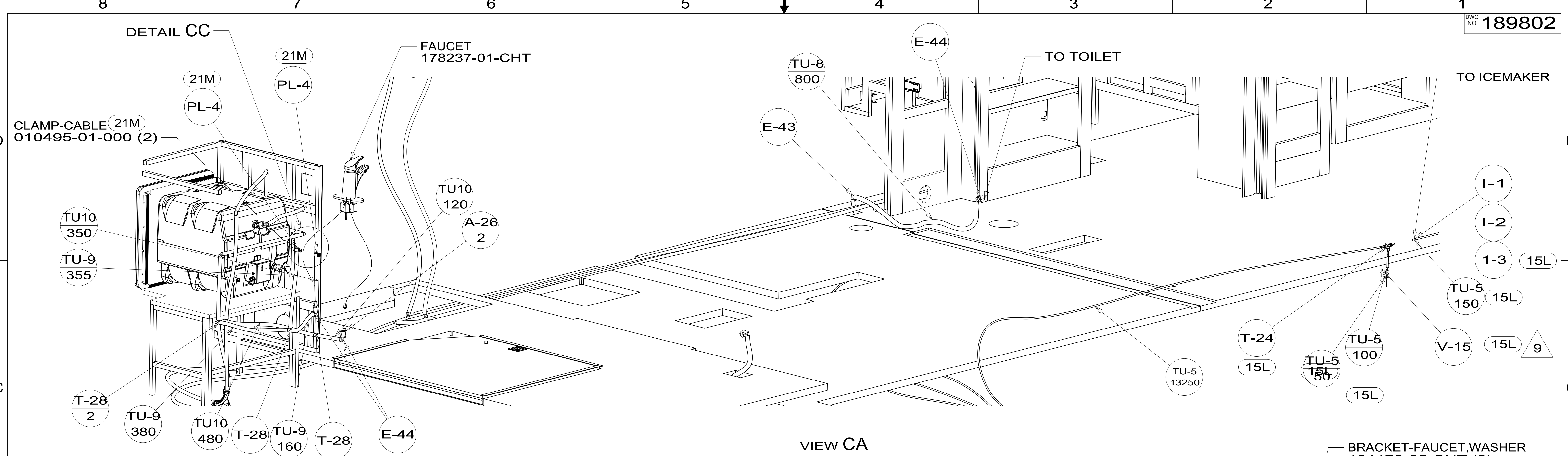
TU-9
1200

TU10
2500

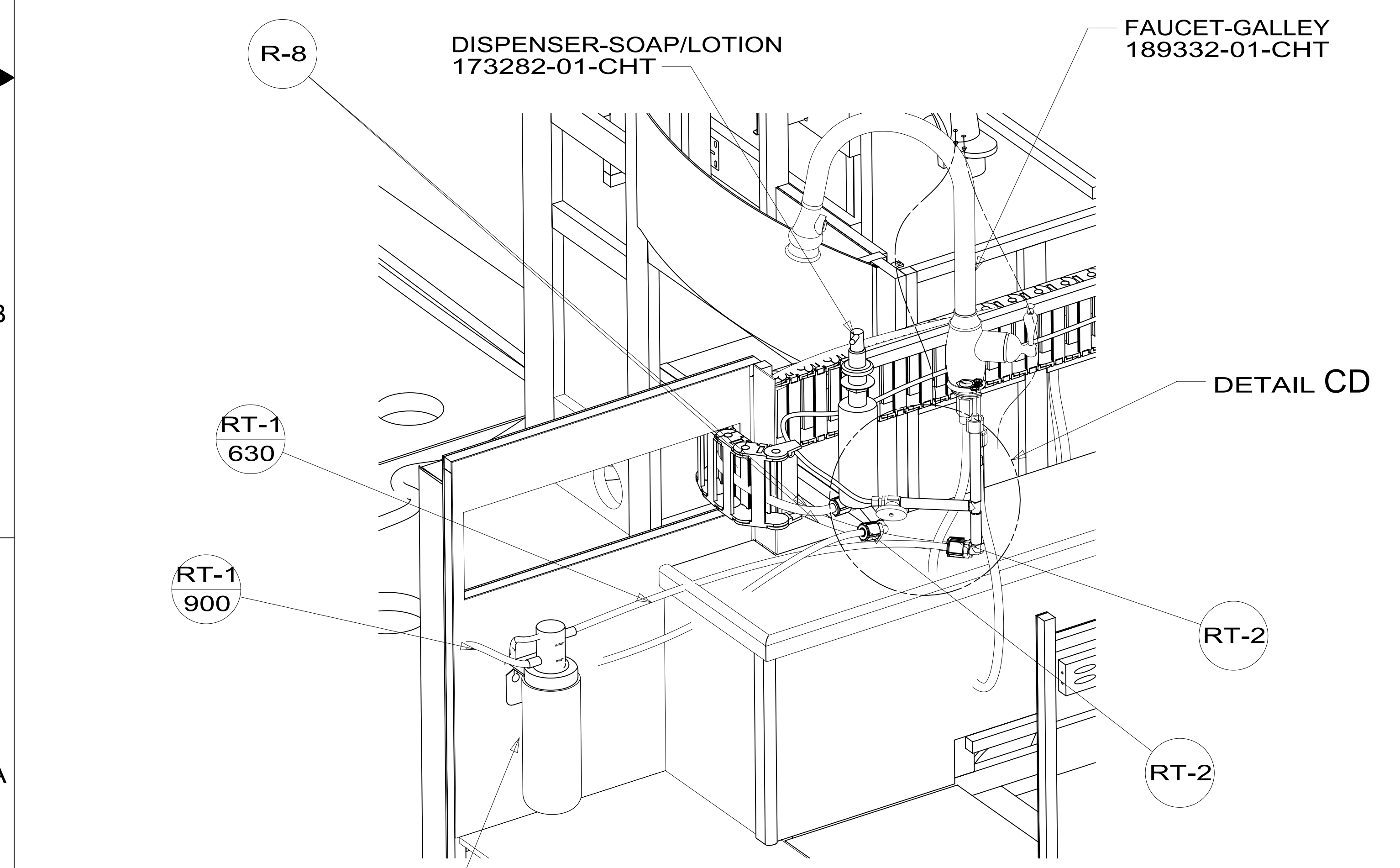
TU-9
2370

FIRST USED	15 P42E	
TITLE:	DO NOT SCALE DRAWING	
SHEET	PART NO	REV
2	189802	
12-Jun-2015		

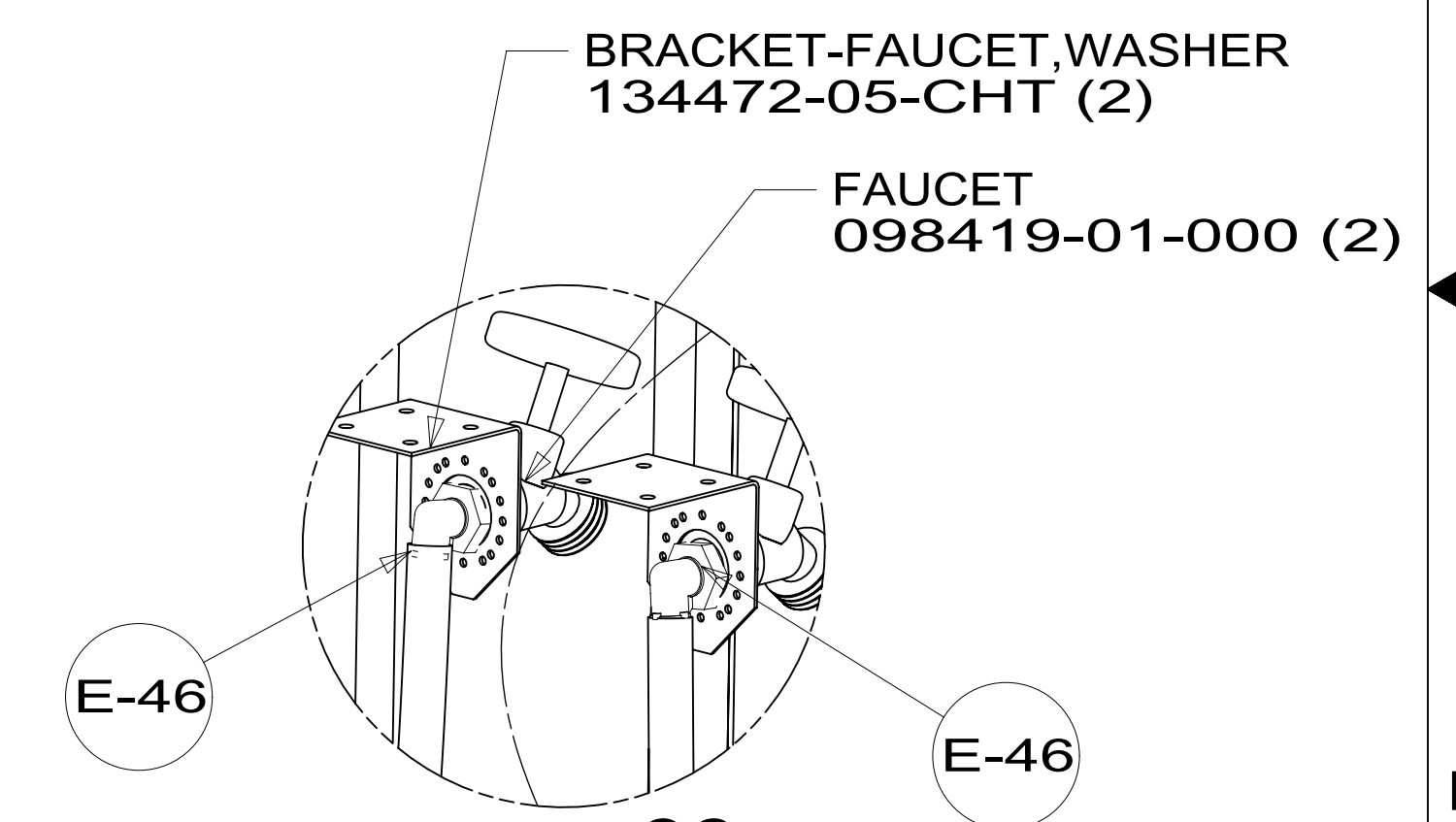
*189802



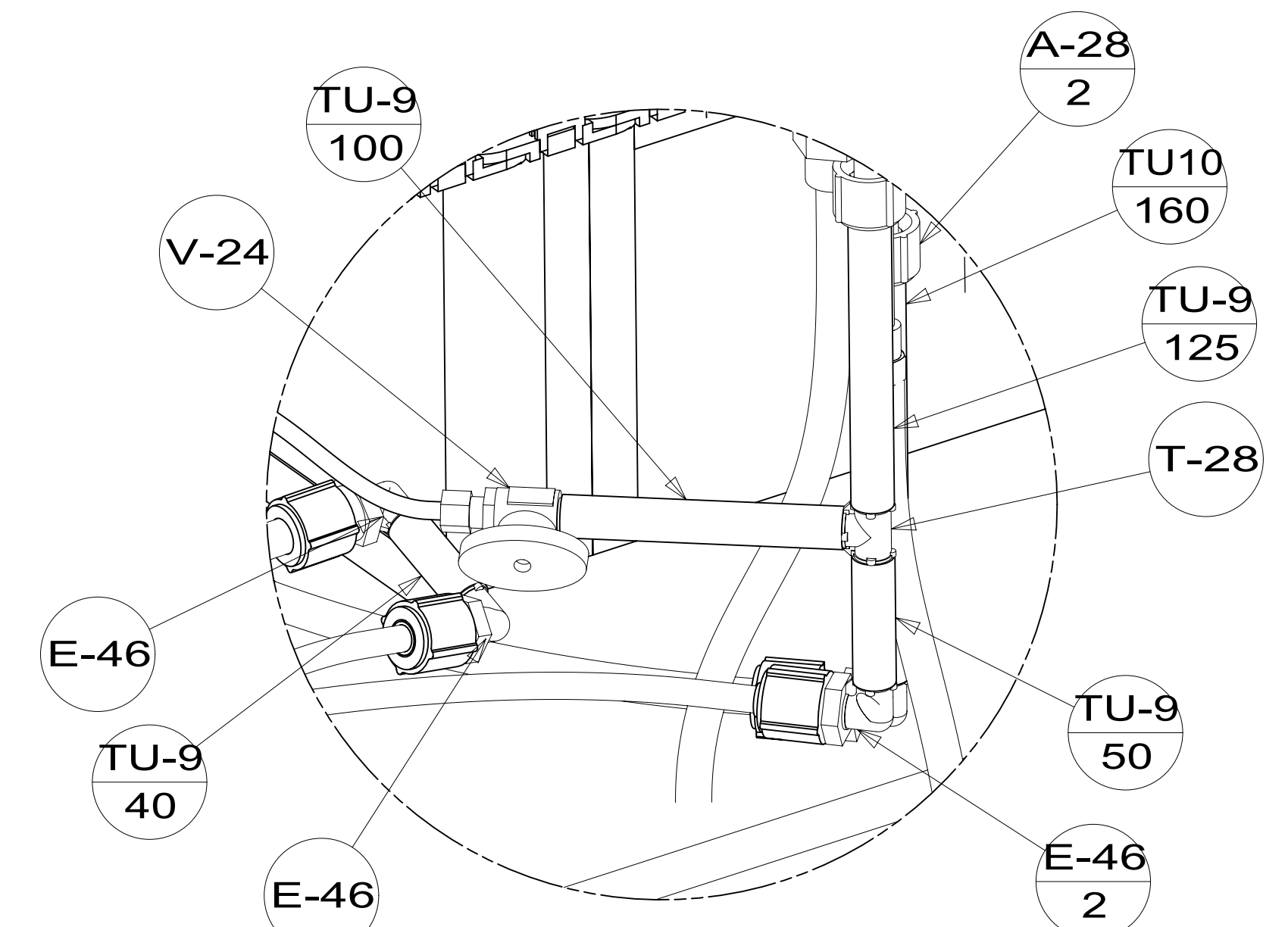
VIEW CA



VIEW CB



DETAIL CC

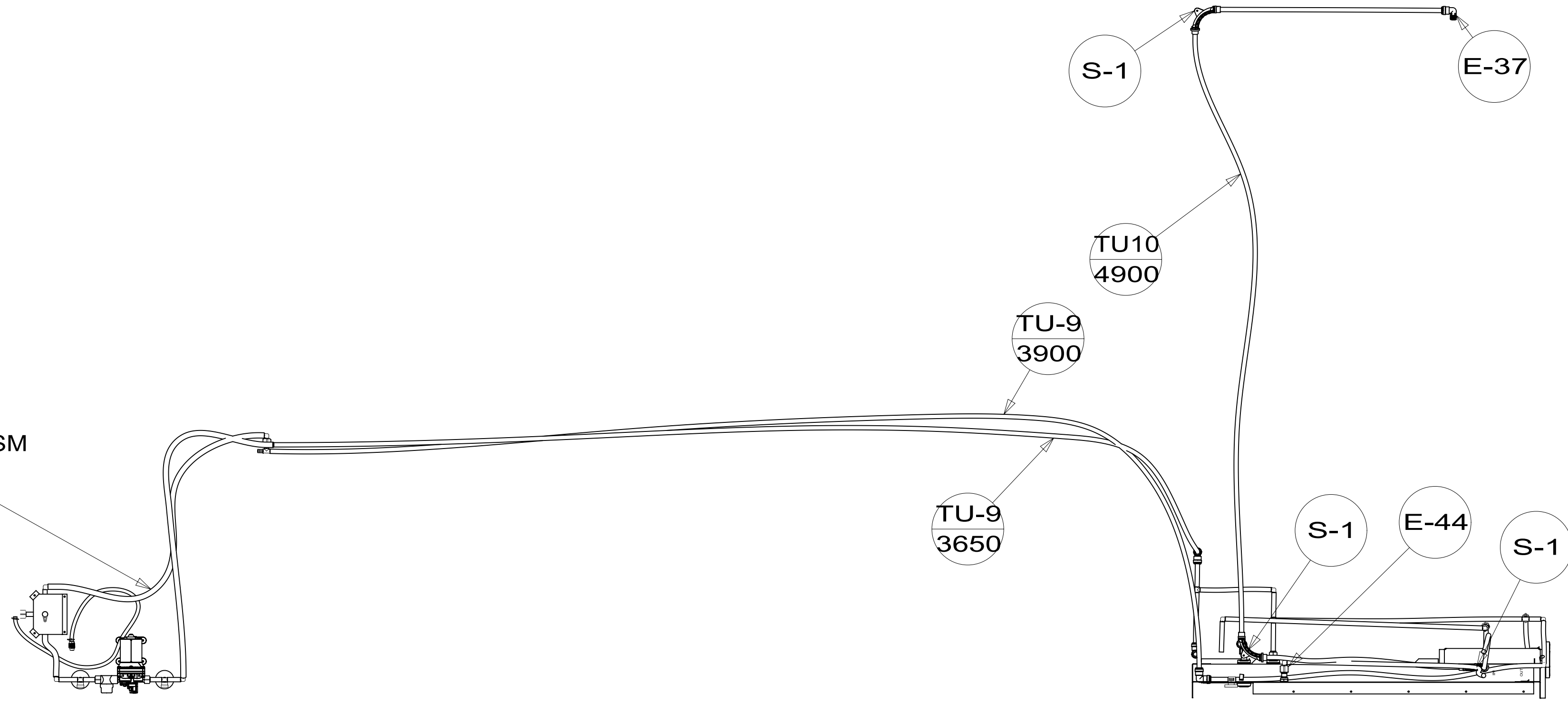


DETAIL CD (SHOWN W/OUT DISPENSER-SOAP)

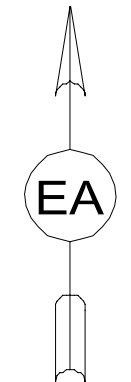
FIRST USED	15 P42E	
TITLE:	DO NOT SCALE DRAWING	
SHEET	3	PART NO 189802
		REV
12-Jun-2015		

* 189802 A *

WATER PUMP CENTER ASM
182945-01-XXX

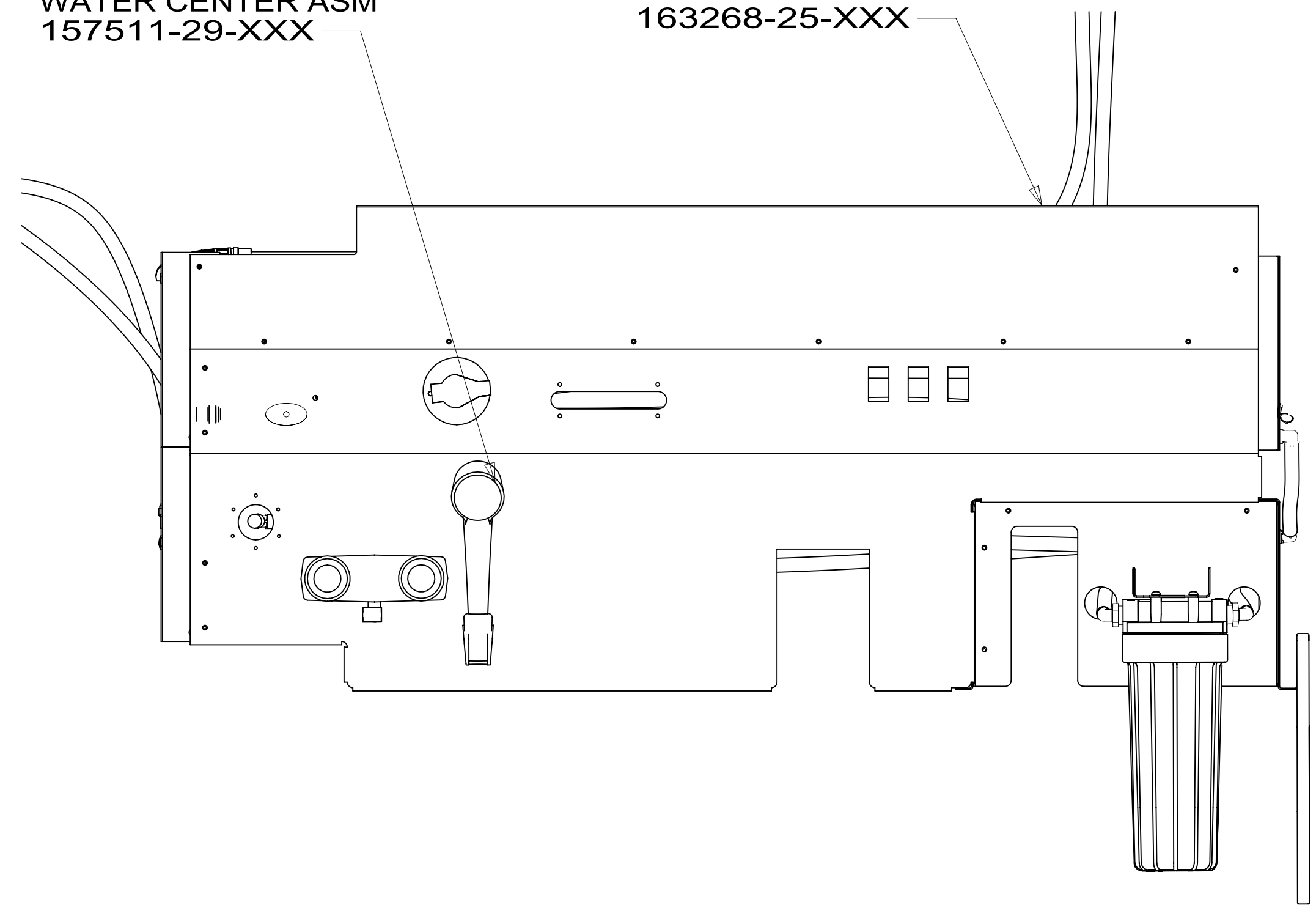


SHOWING LINES UNDER FLOOR



WATER CENTER ASM
157511-29-XXX

SERVICE CTR ASM
163268-25-XXX



VIEW EA

FIRST USED	15 P42E		
TITLE:	DO NOT SCALE DRAWING		
	WATER SYSTEM INSTL		
SHEET 5	PART NO	189802	REV
			1 12-Jun-2015

189802