

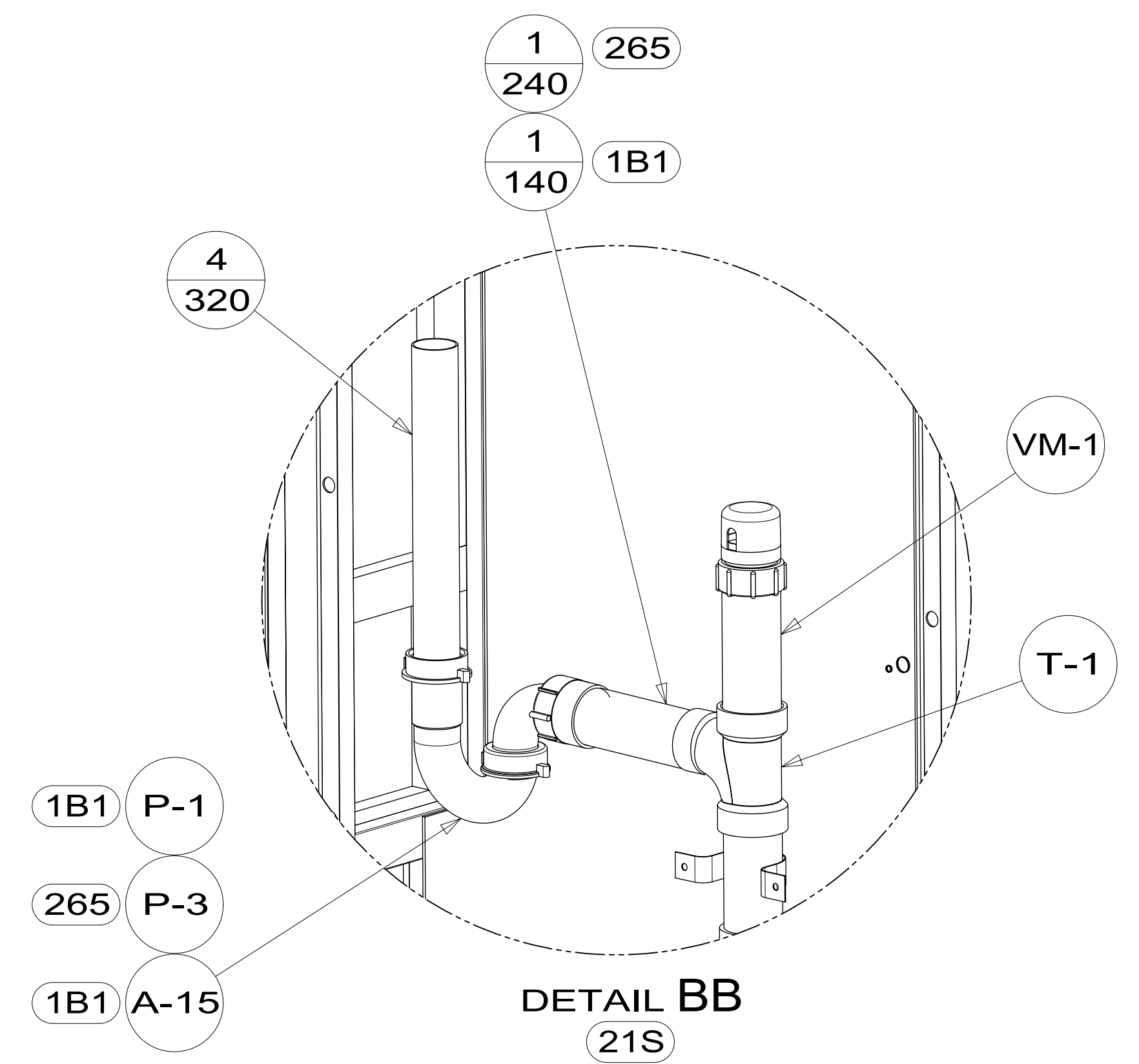
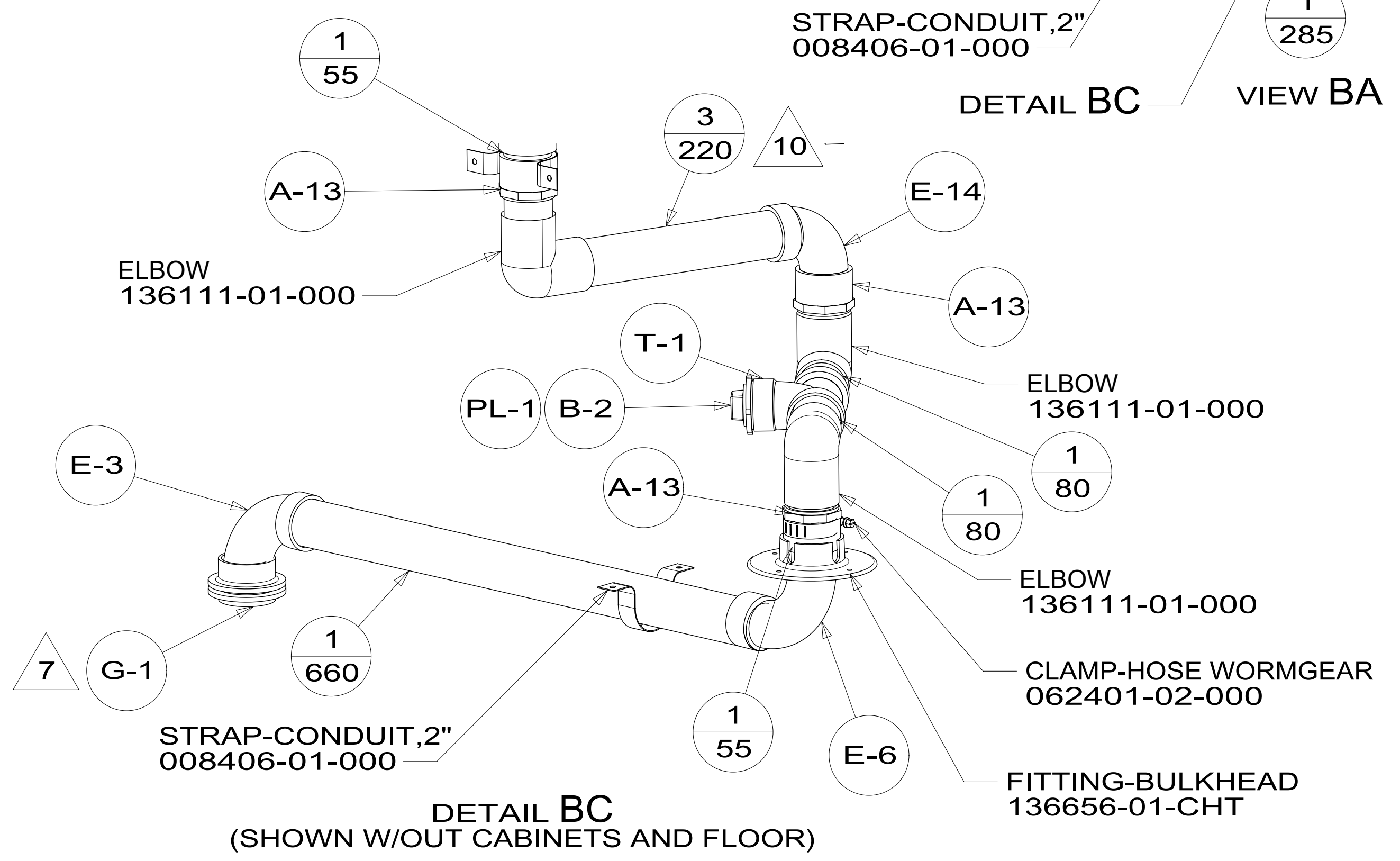
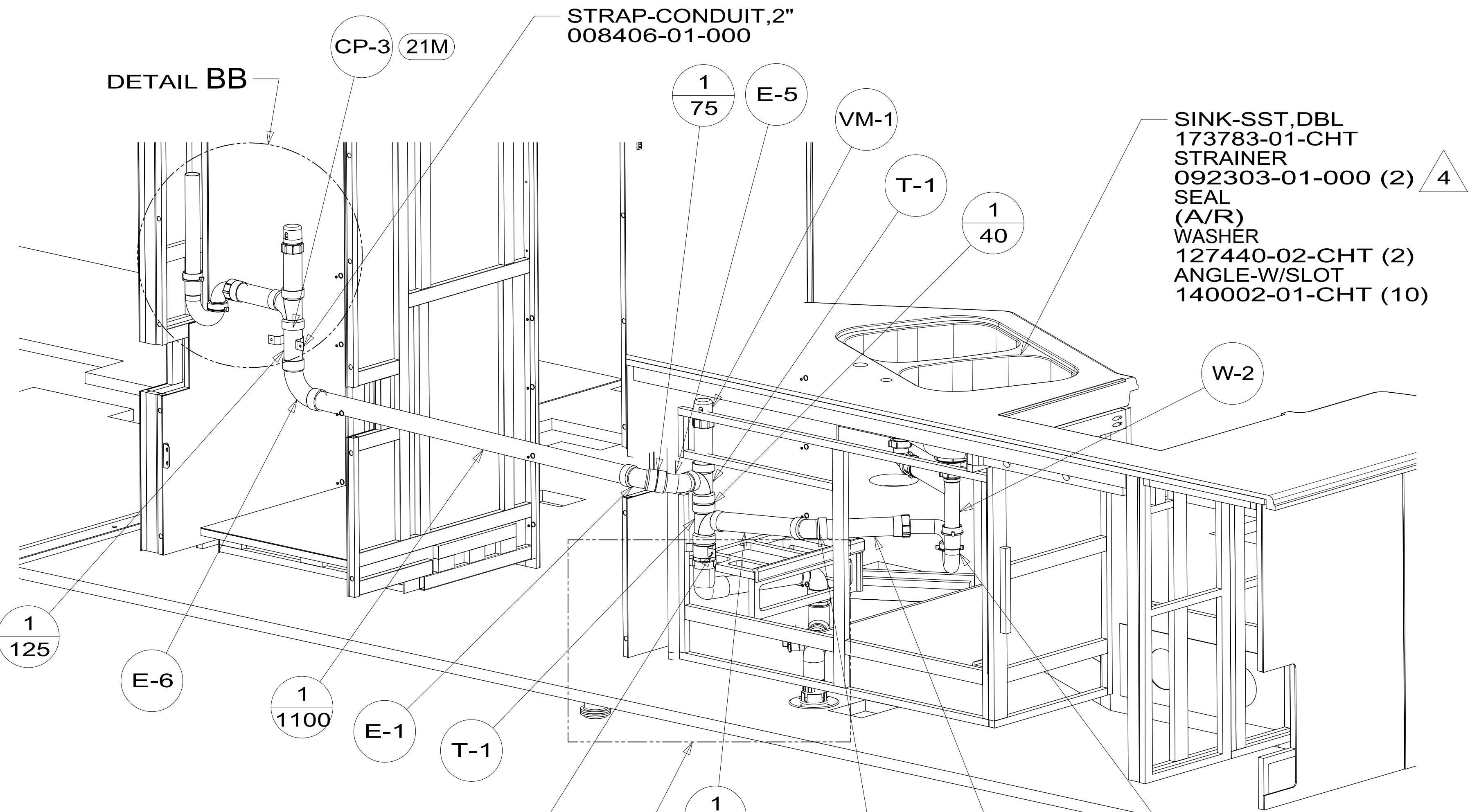
- 11 ADD TEFLON TAPE 010405-01-000.
- 10 APPLY PRIMER 126427-02-000 AND CEMENT 126427-01-000 BETWEEN ELBOW AND FLEX PIPE.
  - 9. SEE DRAWING 061607 FOR INSTALLATION OF GROMMETS.
  - 8. SECURE DRAINAGE PIPES TO CABINET USING WIRE TIE 108046-02-000, AND SCREW 000G67-10-12U AT INTERVALS OF NOT OF NOT MORE THAN 4 FEET APART.
  - 7 SECURE VENT PIPE TO GROMMET WITH CLAMP 062401-02-000.
  - 6 VENT PIPE MUST PROJECT 51 MIN AND 64 MAX ABOVE ROOF FOR PROPER FIT AND FUNCTION. ADD S-1 (116666-01-CHT SEAL-VENT PIPE) AROUND PIPE ON ROOF BEFORE VENT CAP IS INSTALLED.
  - 5. SEAL AROUND SHOWER WITH SILICONE.
  - 4 USE SMOOTH PLUMBERS PUTTY 167459-01-000 TO SEAL STRAINER (0.2 PER STRAINER).
  - 3. ALL PIPE AND FITTINGS TO BE ASSEMBLED WITH SOLVENT 004020-01-000 (USA), 004020-02-000 (CAN)
  - 2. SLOPE OF TRAP ARM MUST BE 6 PER 305 mm.
  - 1. SLOPE OF HORIZONTAL PIPING TO BE MINIMUM OF 3 PER 305 mm.

- 265 CODES/STANDARDS-CSA/CMVSS
- 1B1 CODES/STANDARDS USA
- 21M WASHER/DRYER PREP
- 21S WASHER & DRYER-PAIR

		COPYRIGHT 2014 WINNEBAGO INDUSTRIES, INC.
DFT-ORIG	ORIG. DATE	
CHKR	ALL DIMENSIONS ARE IN MILLIMETERS	
P.E.		
M.E.	FIRST USED	
DSNR	15 P36M	
UNSPECIFIED TOLERANCES ARE:		
WHOLE DIM (X)	: 3	
ONE-PLACE (X.X)	: 1.5	
TWO-PLACE (X.XX)	: 0.50	
ANGLE	: 1°	
THIRD ANGLE PROJECTION		
DO NOT SCALE DRAWING	REFER TO ES0018 FOR FASTENER TIGHTENING GUIDELINES	
TITLE: DRAINAGE SYSTEM INSTL		
SHEET 1 OF 4	PART NO	187313
REF:	1	09-Jul-2015

FOR DRAINAGE CALLOUTS SEE DWG NO 116229-01-000

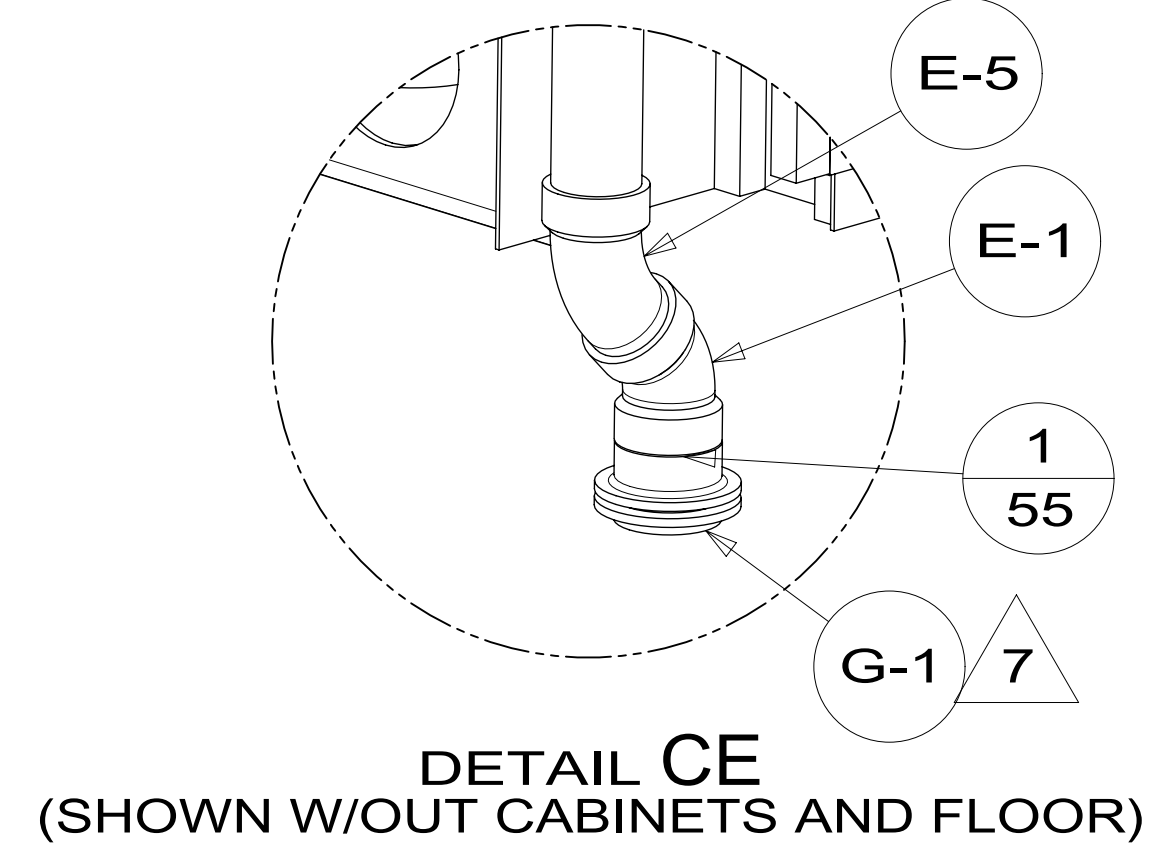
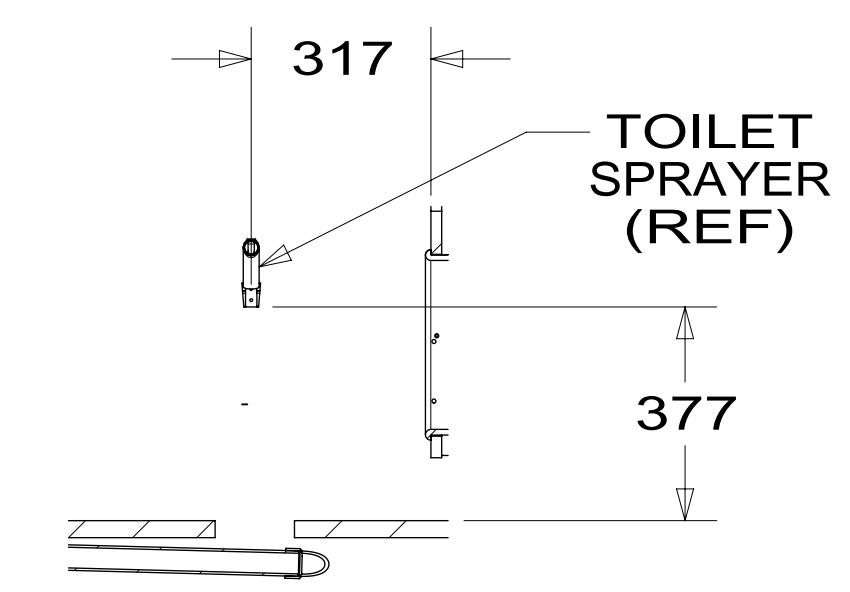
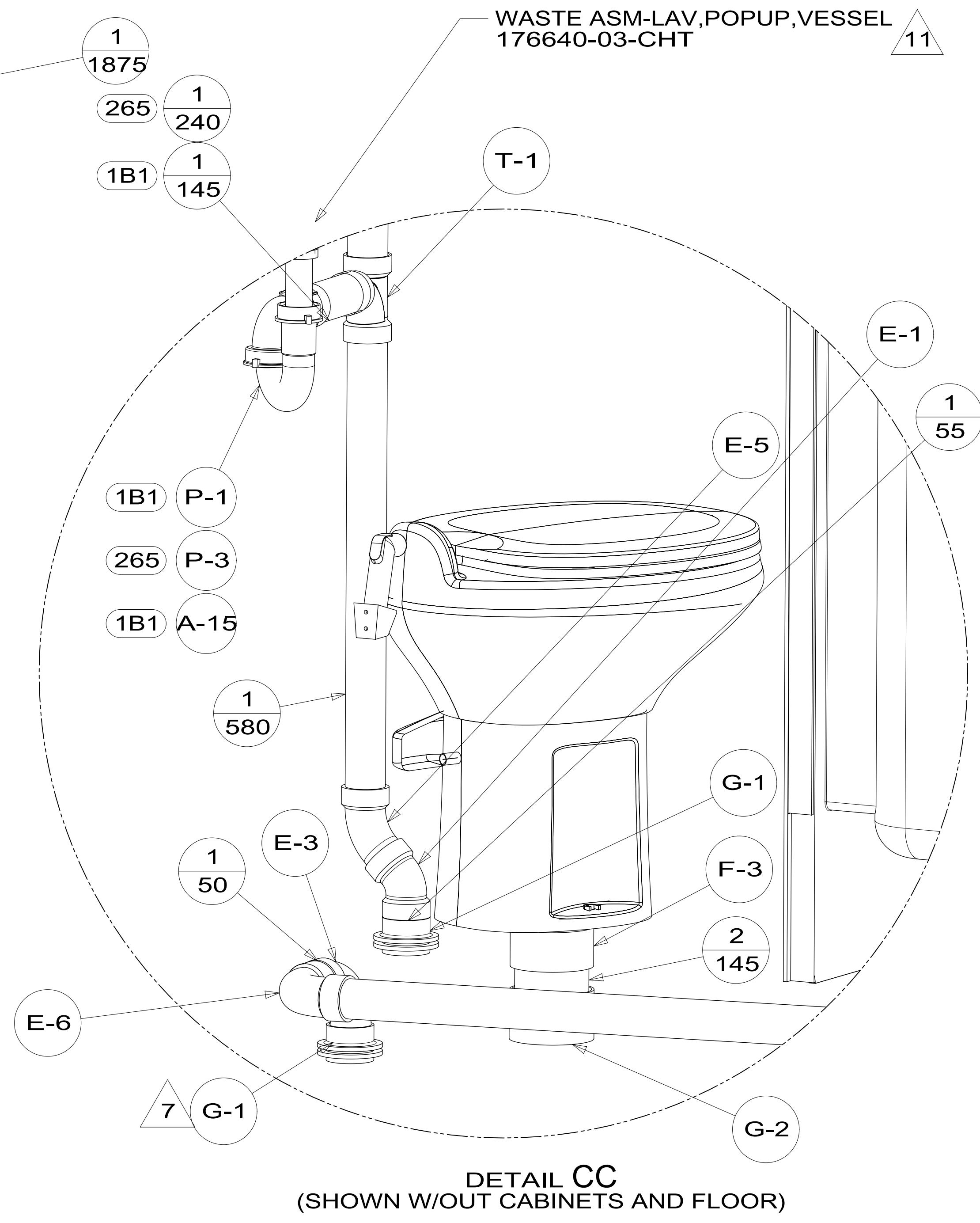
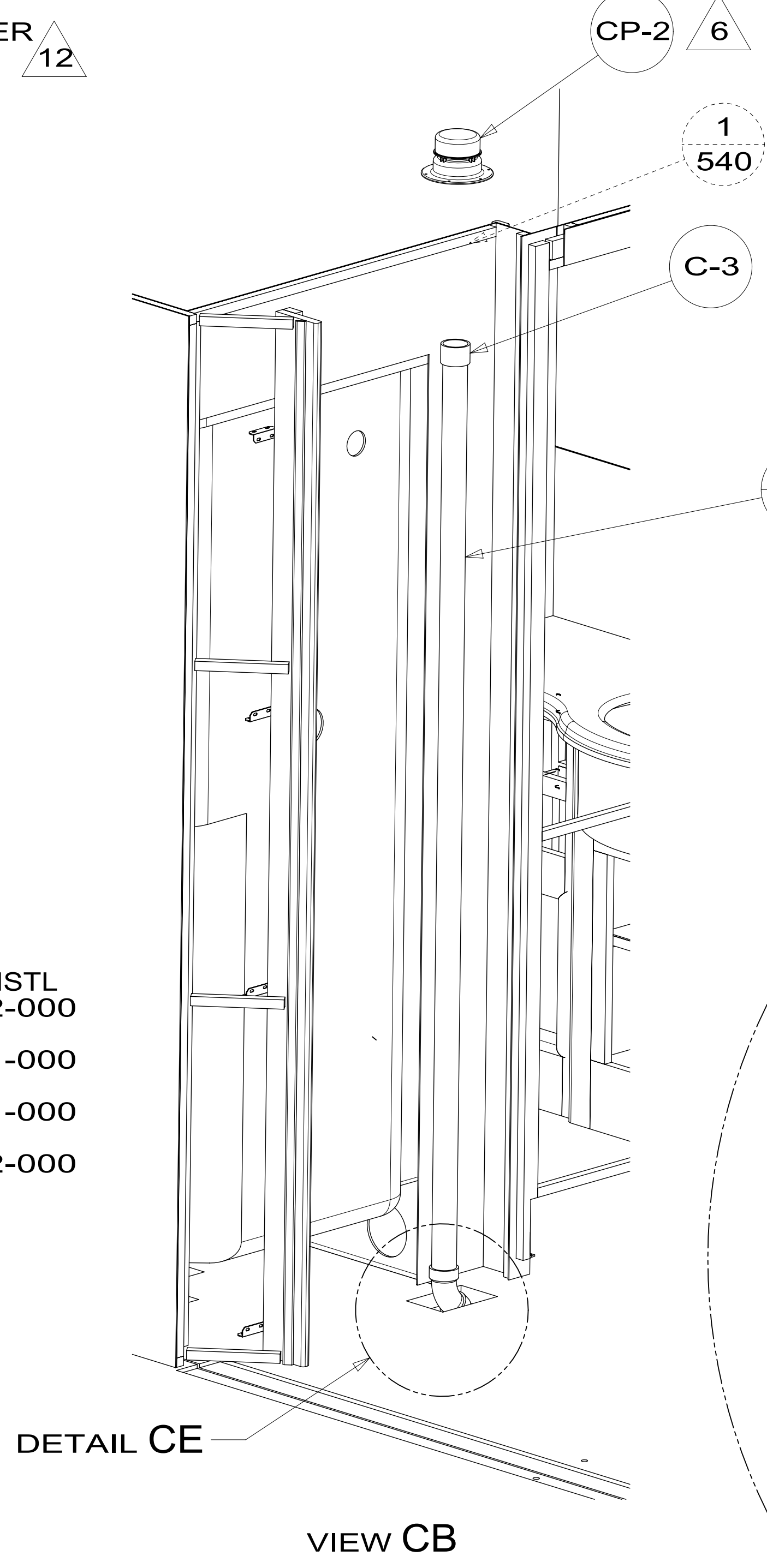
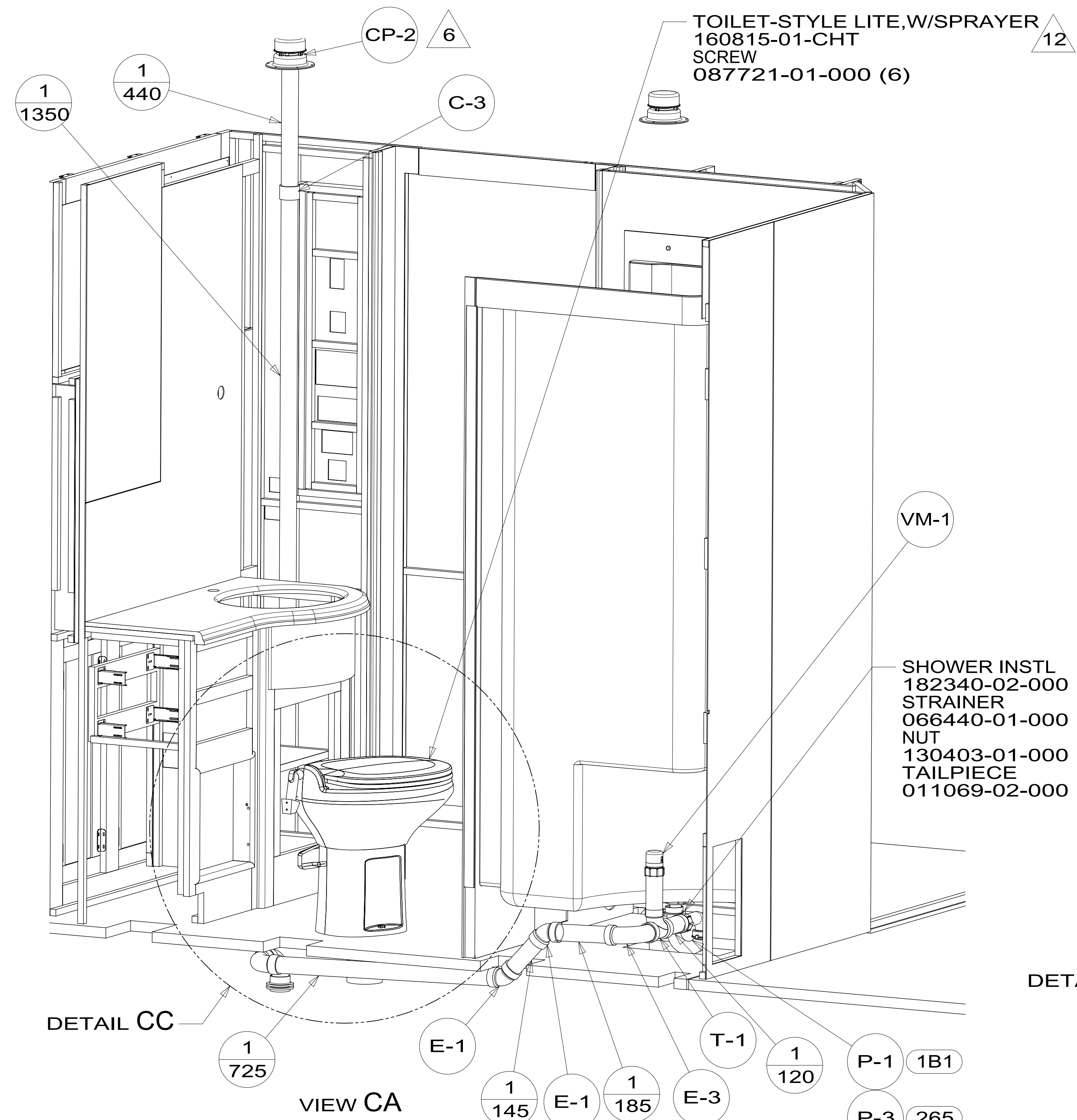
\*187313 \*A



DETAIL BC  
(SHOWN W/OUT CABINETS AND FLOOR)

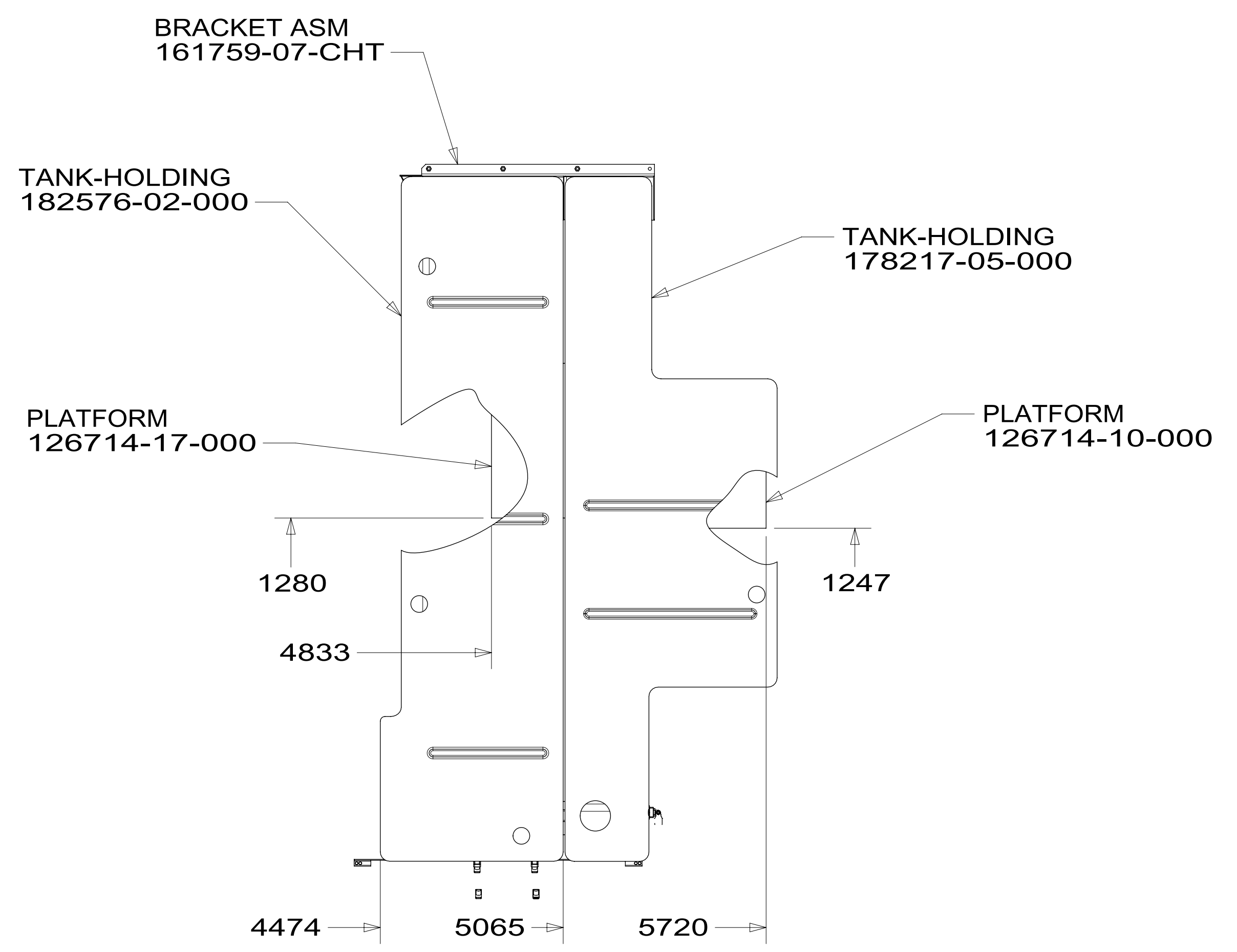
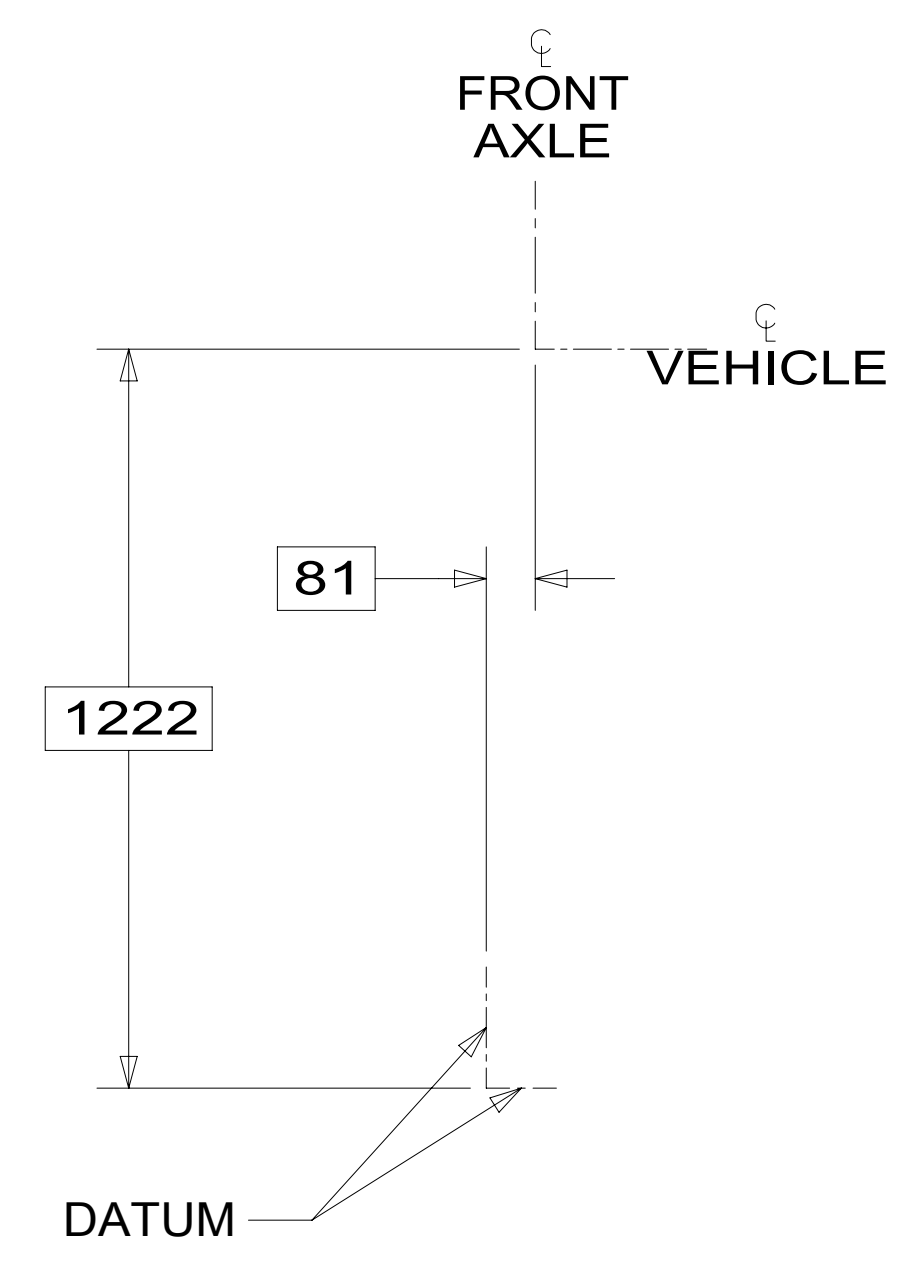
FIRST USED	15 P36M	
TITLE:	DO NOT SCALE DRAWING	
	DRAINAGE SYSTEM INSTL	
SHEET 2	PART NO 187313	REV
	1	09-Jul-2015

\*187313\*

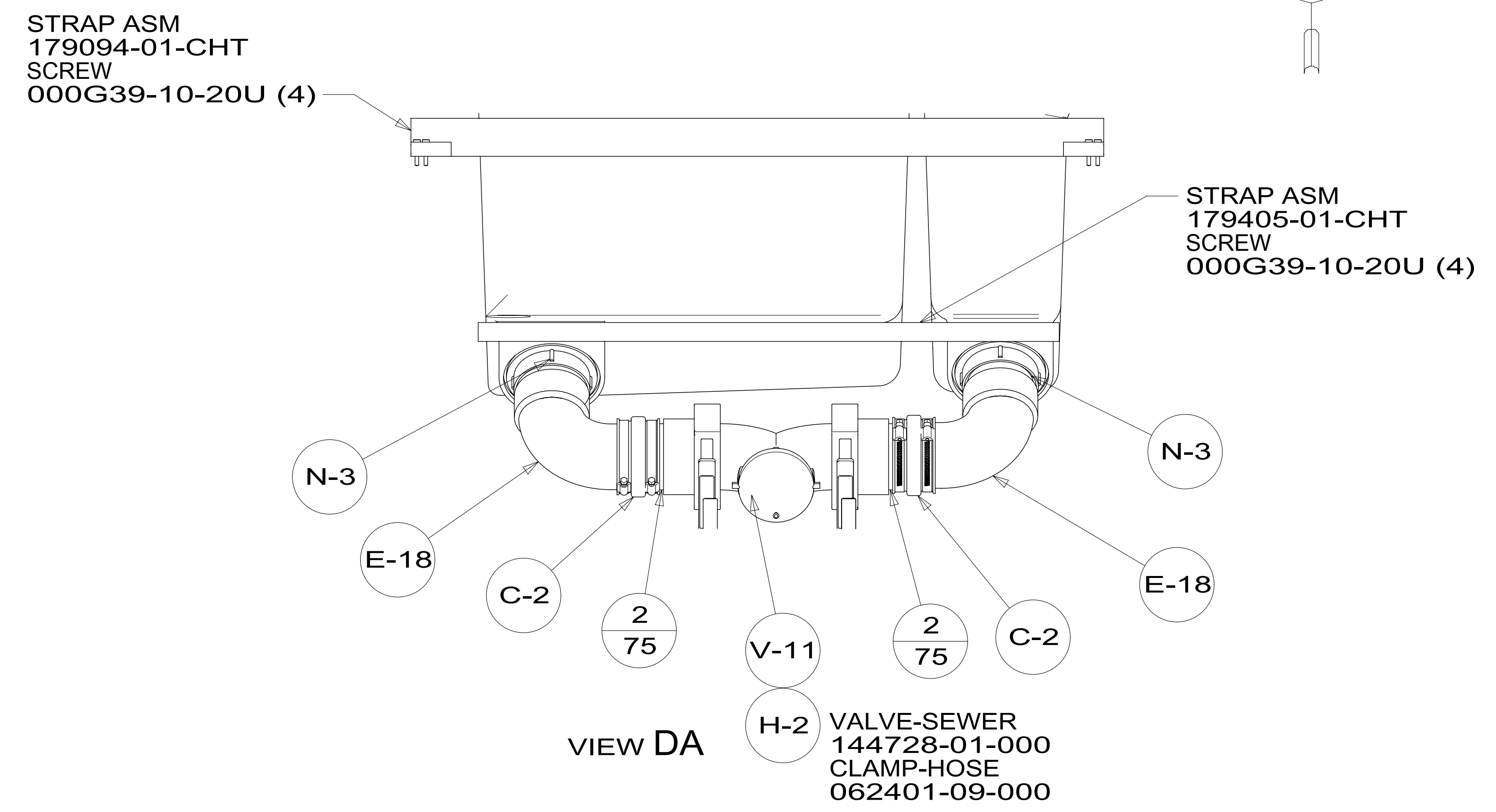
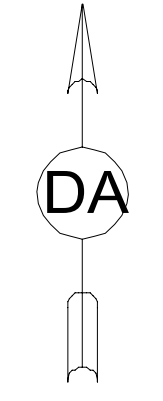


FIRST USED	15 P36M	
TITLE:	DO NOT SCALE DRAWING	
SHEET 3	PART NO	187313
	REV	09-Jul-2015

\*187313\*



### TOP VIEW SHOWING ONLY DRAINS AND TANKS

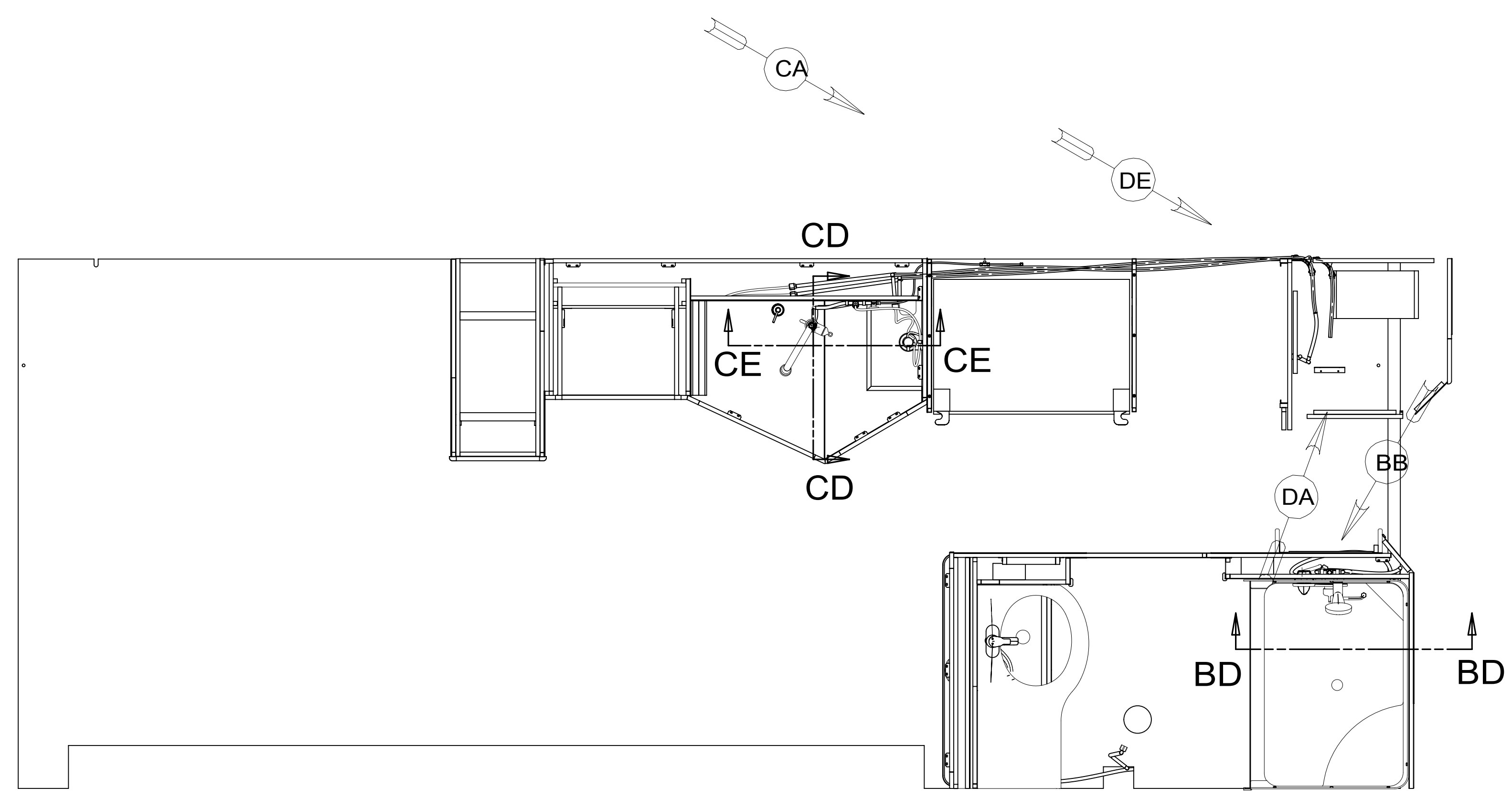


FIRST USED	15 P36M	
DO NOT SCALE DRAWING		
TITLE: DRAINAGE SYSTEM INSTL		
SHEET 4	PART NO 187313	REV
		1 09-Jul-2015

\*187313 \*A

DWG NO	SERVICE CENTER ASM
187699-01	182602-04-XXX
187699-02	182602-07-XXX

RELEASE	REV/DATE	DWG NO	187699
REV ZONE	REVISION RECORD	DATE	DFT-ORIG



12. FOR INSTALLATION USE SILICON ADHESIVE 131264-05-CHT. APPLY ON TOP OF PLATE, PLACE COVER ON, AND POT ADHESIVE AROUND COVER.
- 11 VALVE MUST REMAIN OPEN AFTER WATER TEST.
- 10 INSTALL FAUCET W/OUT BASEPLATE.
- 9 ELBOW TO BE TURN 45° BELOW HORIZONTAL LINE.
8. ALL CRIMP FITTINGS TO 1/2" PEX TUBING REQUIRE 1/2" CLAMP 140171-03-000.
7. ALL CRIMP FITTINGS TO 5/8" PEX TUBING REQUIRE 5/8" CLAMP 140171-04-000.
- 6 LABEL HOT AND COLD SUPPLY TUBES AND TAPE FITTING TO TUBE BEFORE CABINET SET TO PREVENT MOVEMENT.
- 5 ADD PIPE WRAP (LADDER SCRAP 110157-02-000) INSULATION.
- 4 ADD TEFLON TAPE 010405-02-000.
3. ALL TUBING TO BE SECURED AT 1200 INTERVALS MAXIMUM WITH CLAMP 010495-01-000 AND SCREW 000G67-10-12U OR EQUIVALENT.
2. TUBING TO BE INSTALLED WITH SUFFICIENT SLOPE TO PROVIDE DRAINAGE TO NEAREST VALVE.
1. PLASTIC FITTINGS TO BE SEALED WITH SEALANT 084456-01-000.

- (1B2) WTR HTR-10GAL/ELEC/LP/MTRRID
- (1BT) WATER HEATER, TANKLESS
- (21M) WASHER/DRYER PREP
- (21S) WASHER & DRYER-PAIR
- (15L) REFR/FRZR 2DOOR RESIDENTIAL
- (79W) REFRIGERATOR-4 DOOR
- (WIN) WINNEBAGO ONLY
- (ITA) ITASCA ONLY

**WINNEBAGO** INDUSTRIES, INC. COPYRIGHT 2014

DFT-ORIG	ORIG. DATE
CHKR	ALL DIMENSIONS ARE IN MILLIMETERS
P.E.	
M.E.	FIRST USED
DSNR	15 P36M

UNSPECIFIED TOLERANCES ARE:

WHOLE DIM (X)	: 3
ONE-PLACE (X.X)	: 1.5
TWO-PLACE (X.XX)	: 0.50
ANGLE	: 1°

THIRD ANGLE PROJECTION

DO NOT SCALE DRAWING REFER TO ES0018 FOR FASTENER TIGHTENING GUIDELINES

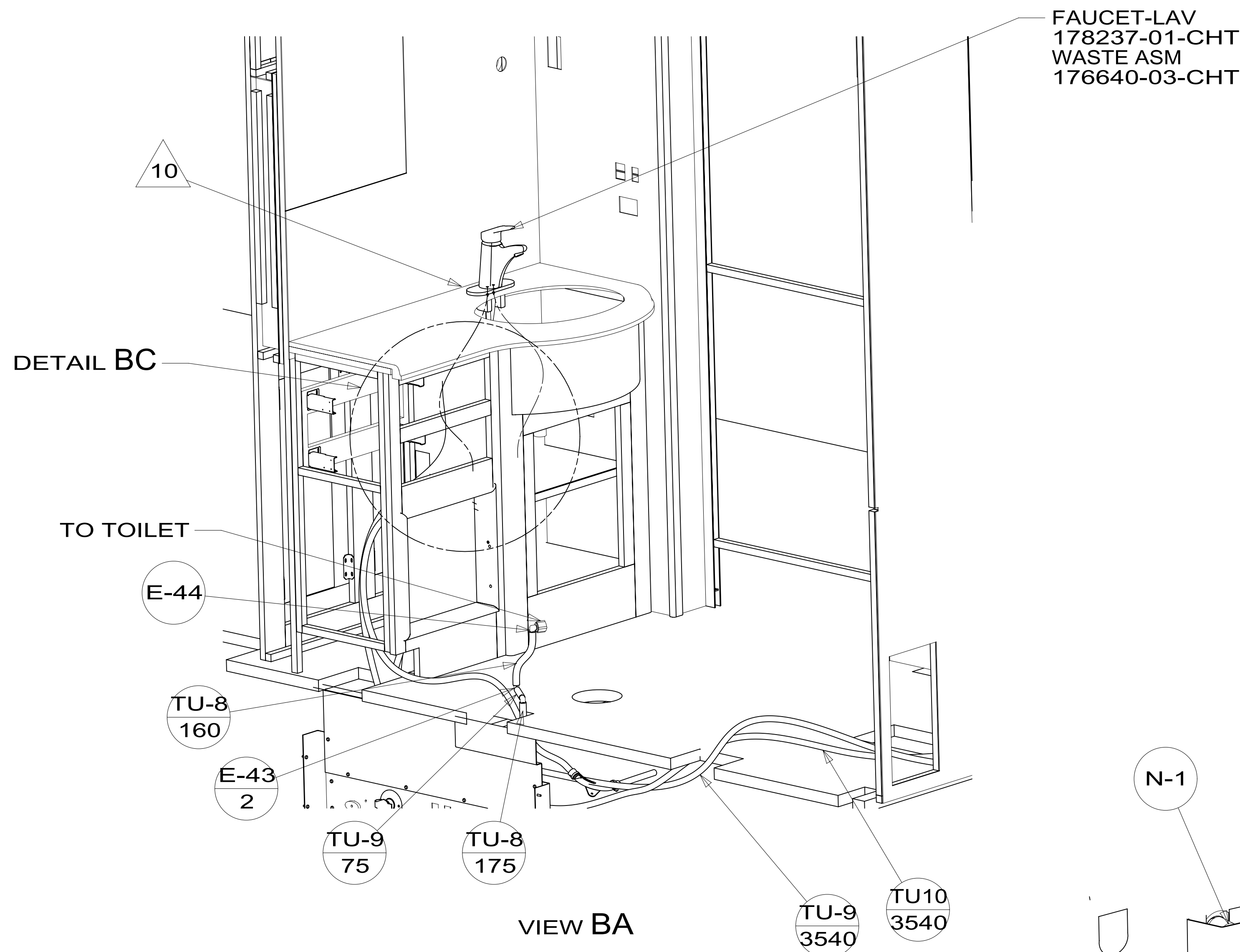
TITLE: **WATER SYSTEM INSTL**

SHEET 1 OF 5 PART NO **187699** REV

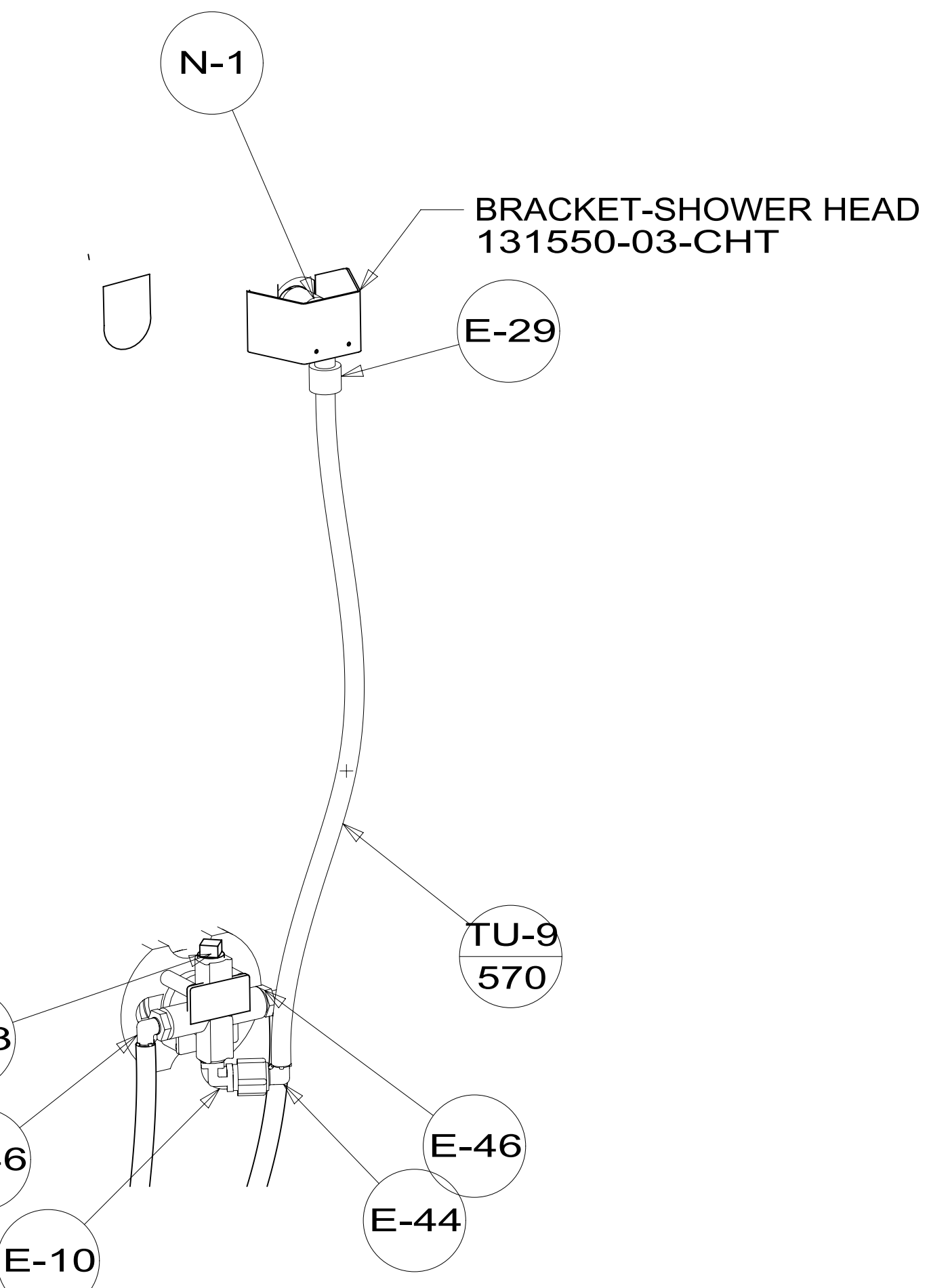
REF: 1 14-Jul-2015

FOR WATER CALLOUTS SEE DWG NO 116230-01-000

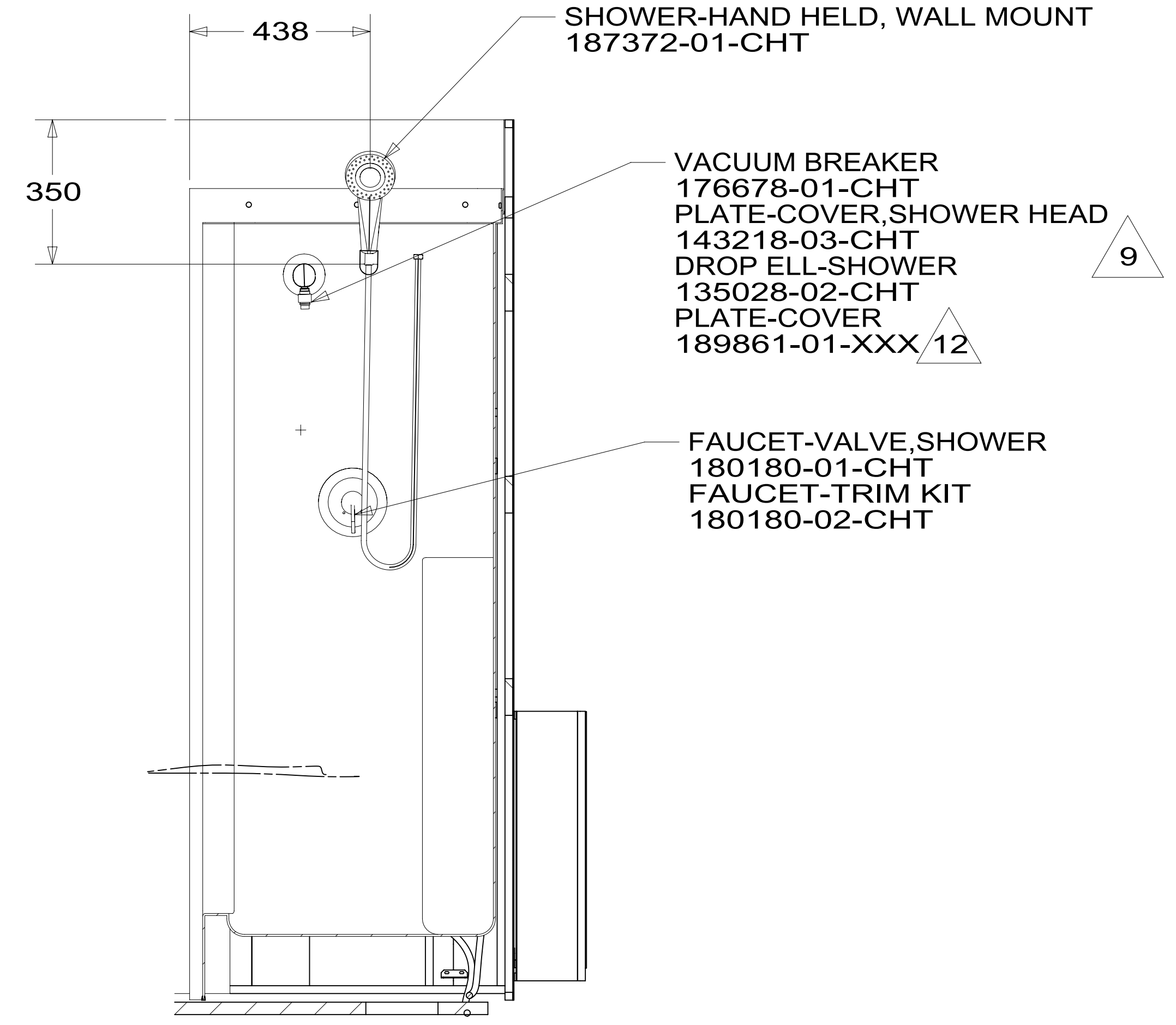
\*187699\*



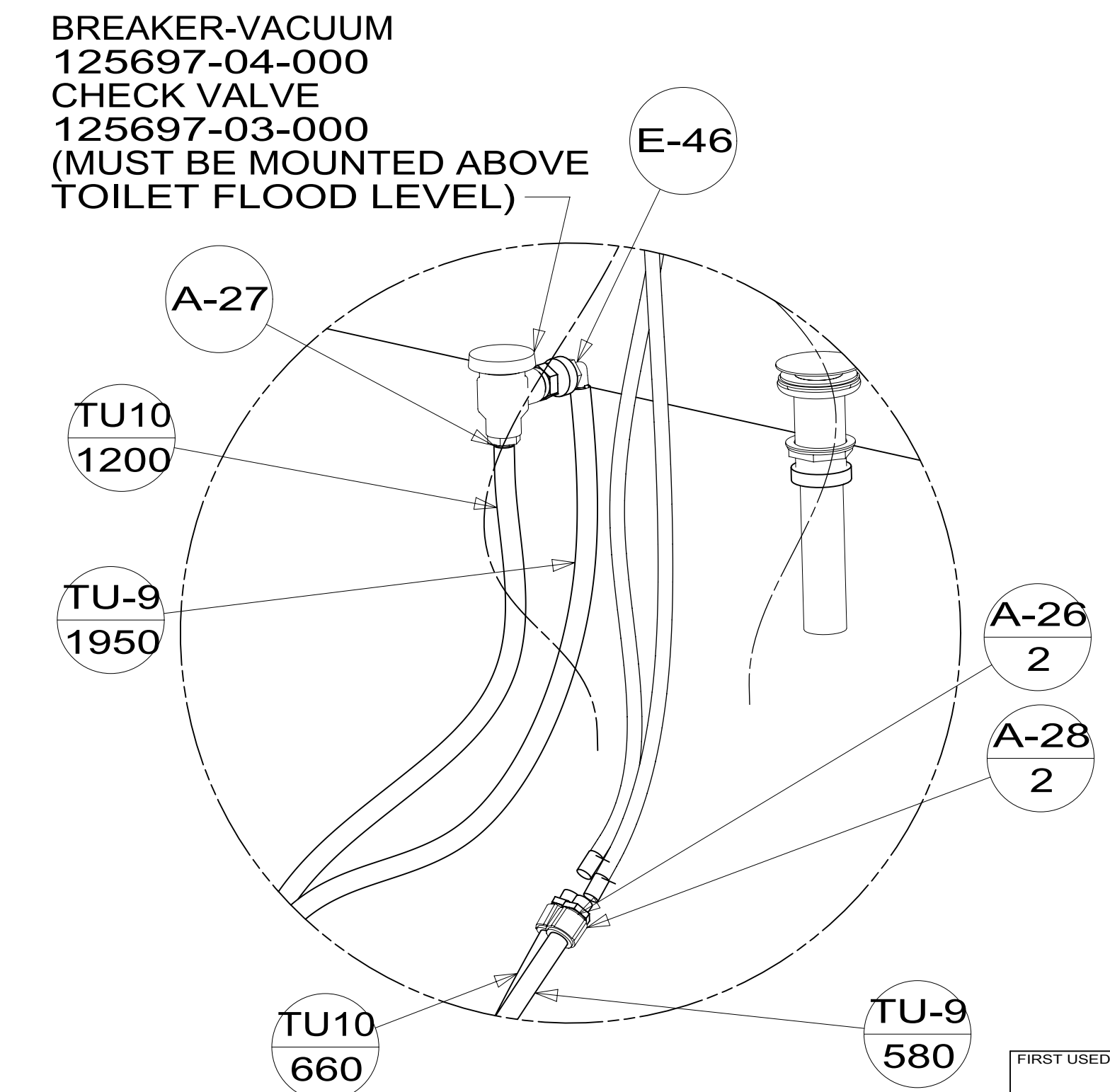
VIEW BA



VIEW BB  
(SHOWN W/OUT CABINETS)



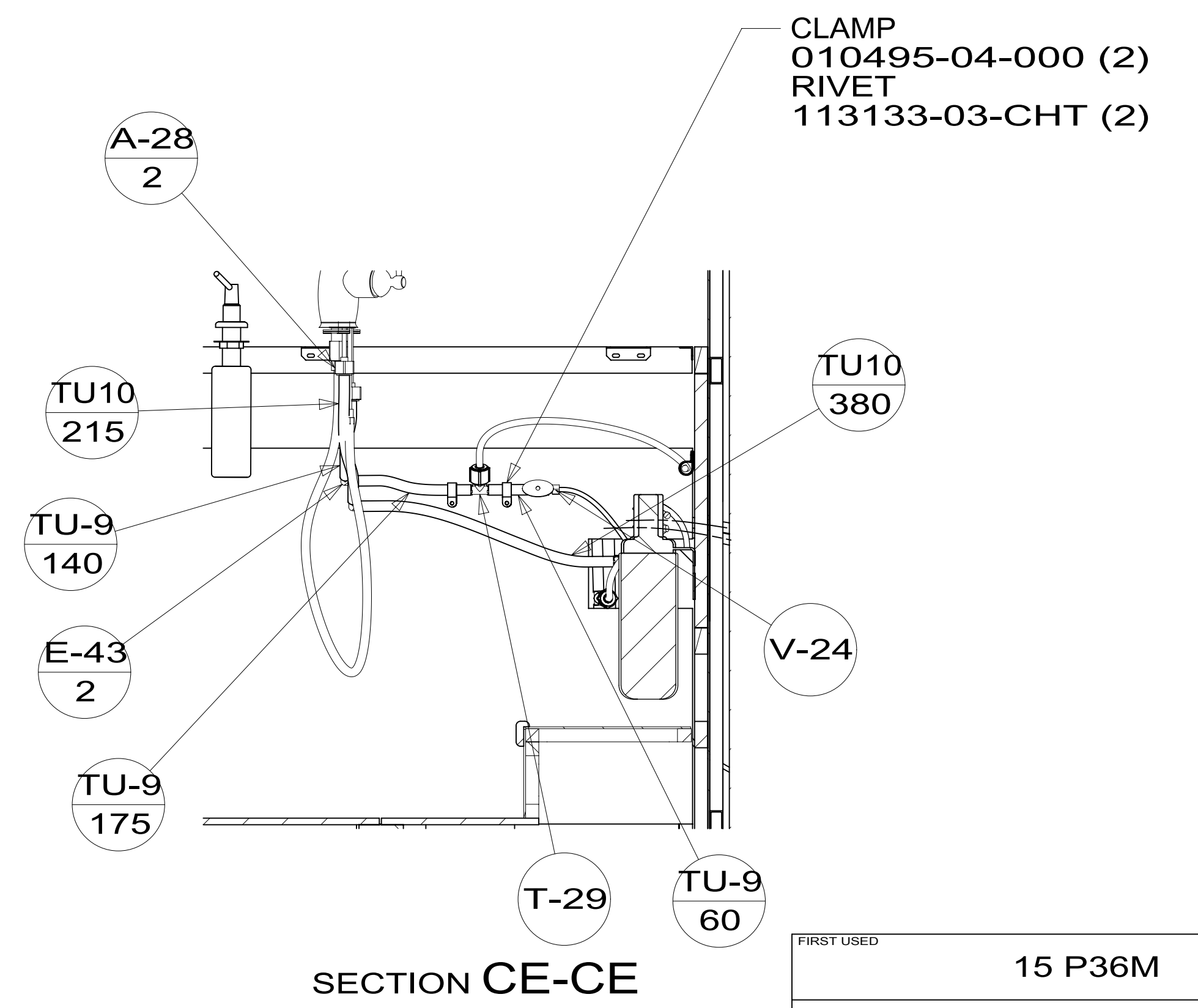
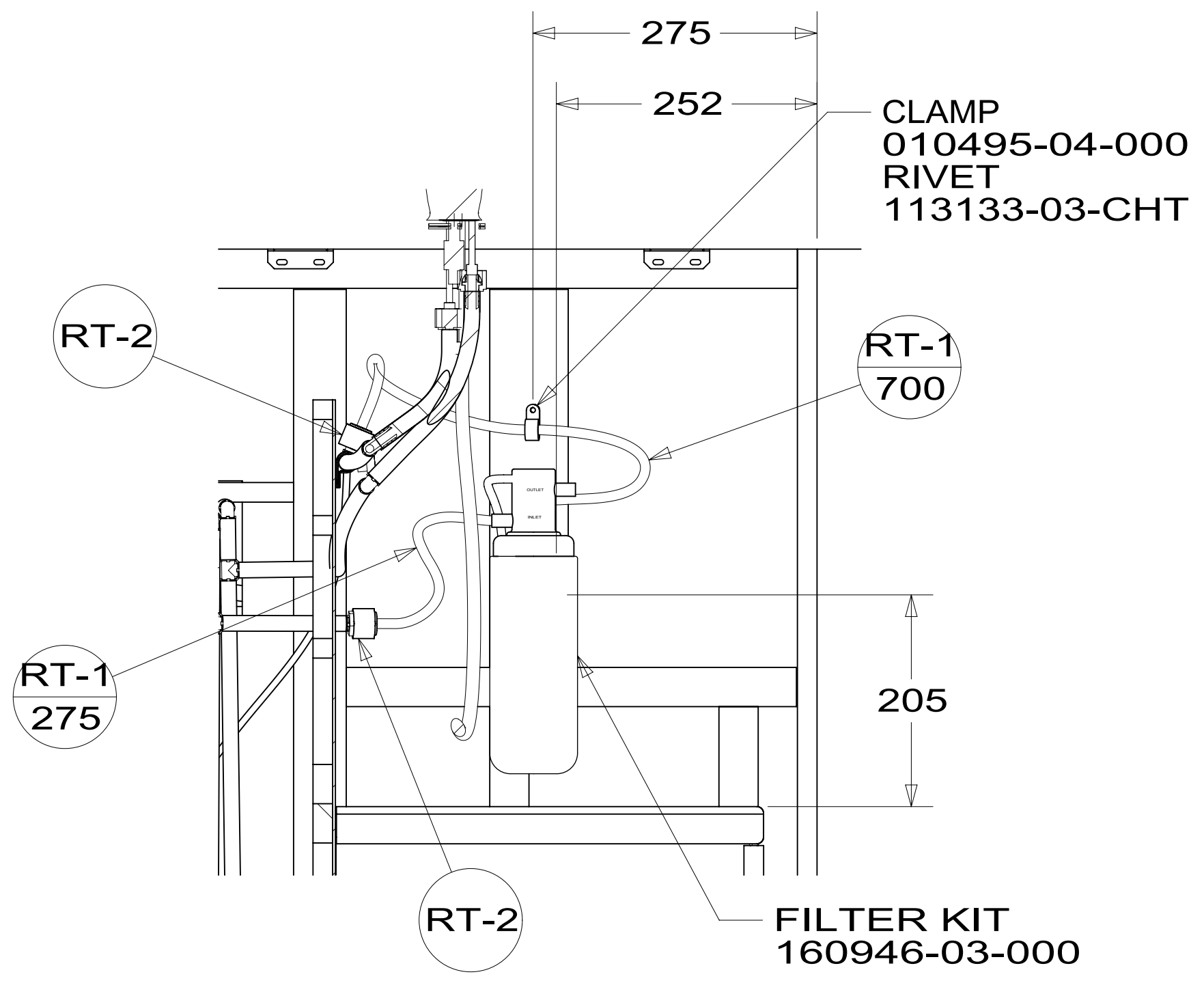
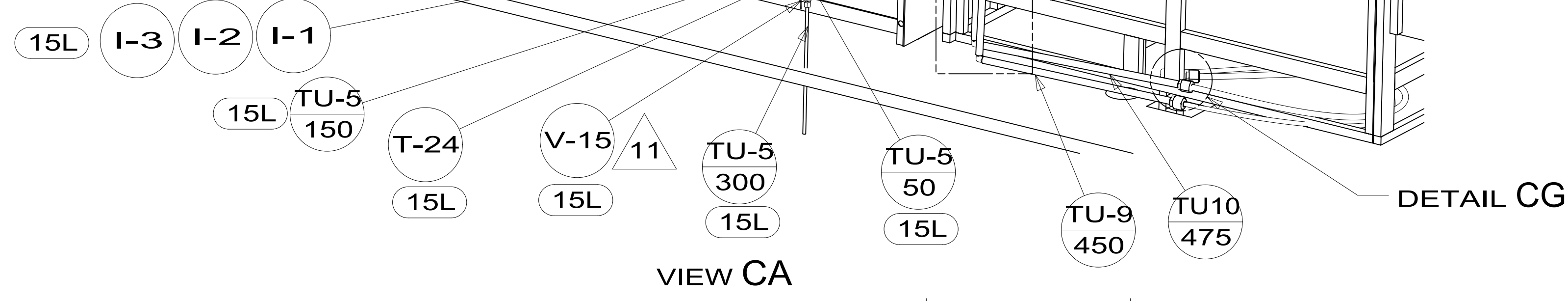
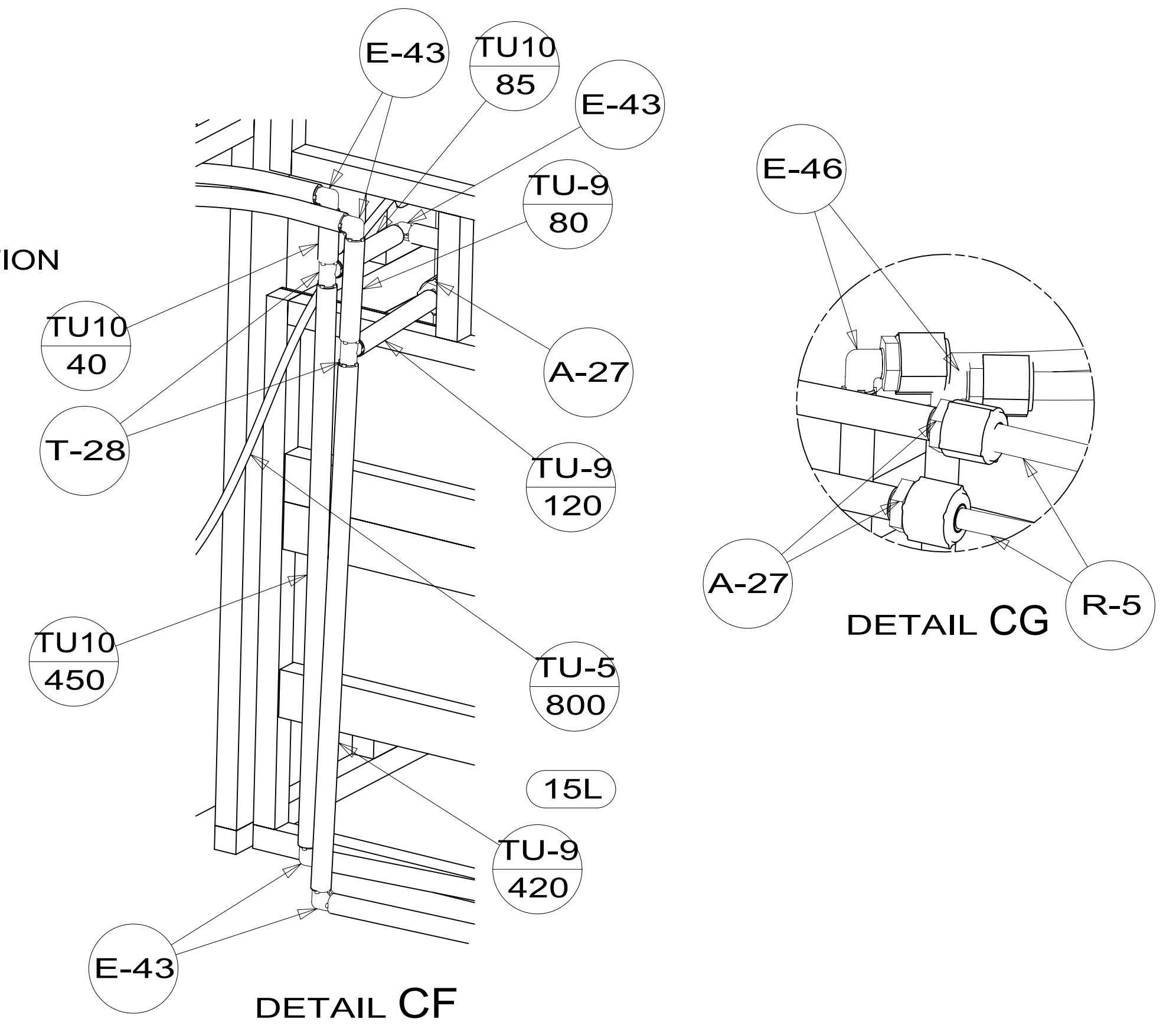
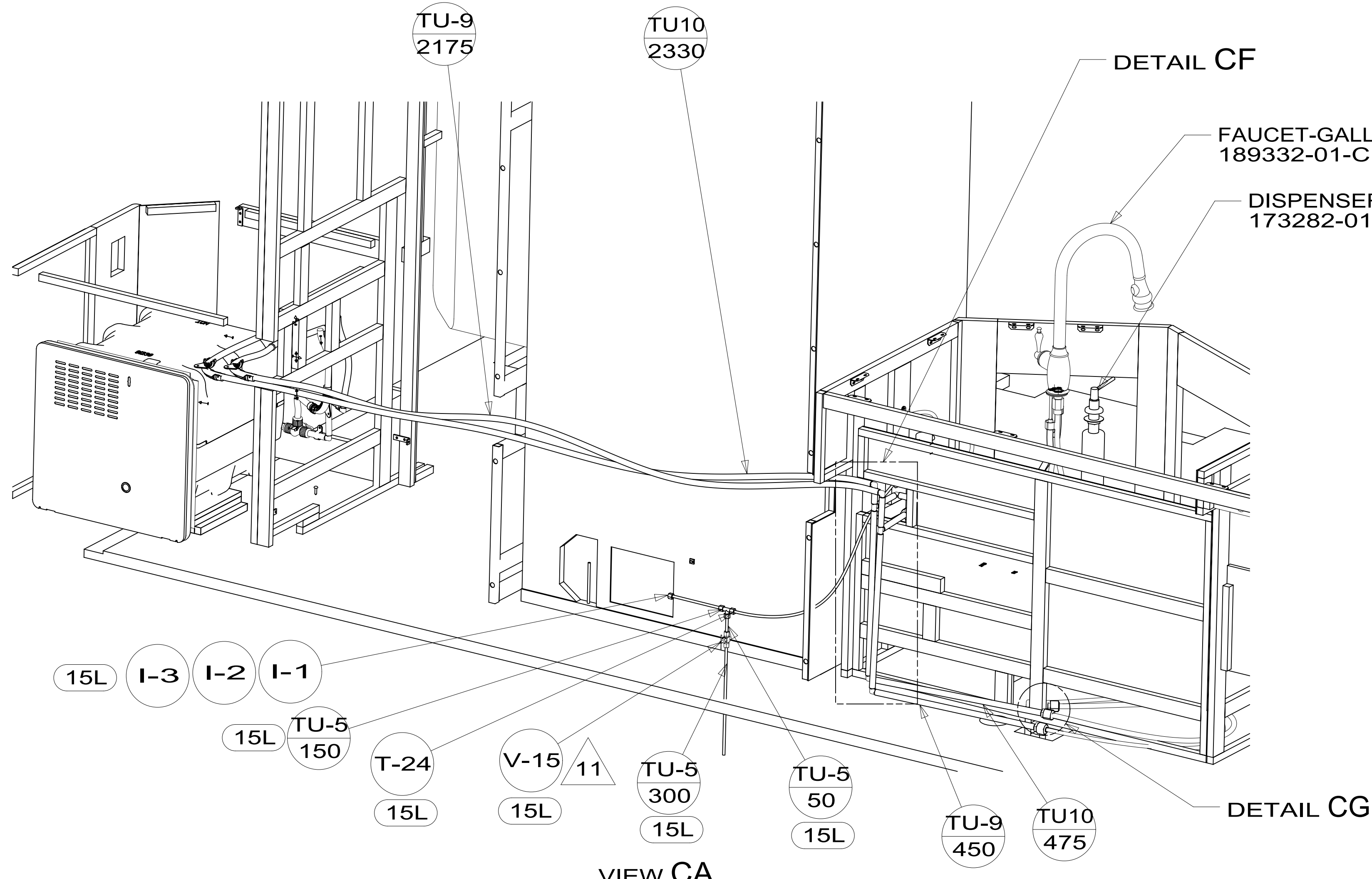
SECTION BD-BD



DETAIL BC  
(SHOWN W/OUT CABINETS)

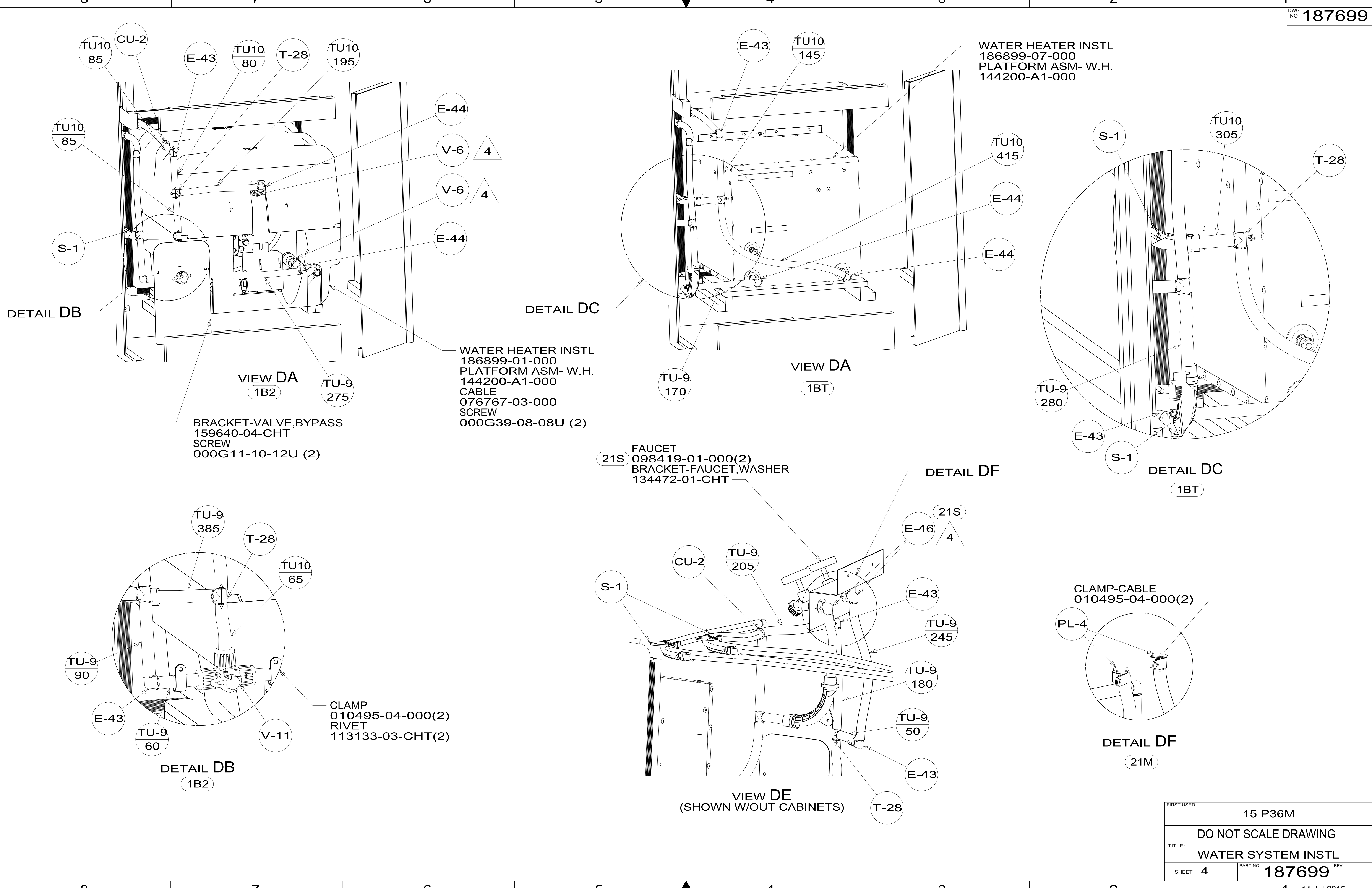
FIRST USED	15 P36M	
TITLE:	DO NOT SCALE DRAWING	
SHEET	2	PART NO 187699
REV	1	14-Jul-2015

\*187699\*



FIRST USED	15 P36M	
TITLE:	DO NOT SCALE DRAWING	
SHEET	3	PART NO 187699 REV
		14-Jul-2015

\*187699\*



FIRST USED	15 P36M	
TITLE:	DO NOT SCALE DRAWING	
	WATER SYSTEM INSTL	
SHEET 4	PART NO 187699	REV
	1	14-Jul-2015

\*187699\*



WATER PUMP CENTER ASM  
182945-01-XXX

TOP VIEW SHOWING LINE UNDER FLOOR

TO TANK FLUSH

VIEW EA

FLUSHING SYSTEM  
125697-05-000

SERVICE CENTER ASM  
(SEE TAB)

VIEW EB

FILTER ASM  
155482-01-CHT  
SCREW  
000G11-10-12U(4)

FILTER  
155482-02-CHT

WRENCH-FILTER  
155482-03-CHT

CLAMP  
010495-04-000  
RIVET  
113133-03-CHT

FIRST USED	15 P36M	
TITLE:	DO NOT SCALE DRAWING	
SHEET	5	PART NO 187699
		REV
14-Jul-2015		

\*187699\*