

- NOTES:
12. REQUIRES 5 GALLONS RV ANTIFREEZE 182955-01-000 PER TOLIET. FOLLOW TECMA TOLIET WINTERIZATION PROCEDURE.
 11. GLUE FITTING AFTER CABINET IS INSTALLED.
 10. APPLY PRIMER 126427-02-000 AND CEMENT 126427-01-000 BETWEEN ELBOW AND FLEX PIPE.
 9. SEE DRAWING 061607 FOR INSTALLATION OF GROMMETS.
 8. SECURE DRAINAGE PIPES TO CABINET USING WIRE TIE 108046-02-000, AND SCREW 000G67-10-12U AT INTERVALS OF NOT OF NOT MORE THAN 4 FEET APART.
 7. SECURE VENT PIPE TO GROMMET WITH CLAMP 062401-02-000.
 6. VENT PIPE MUST PROJECT 51 MIN AND 64 MAX ABOVE ROOF FOR PROPER FIT AND FUNCTION. ADD S-1 (116666-01-CHT SEAL-VENT PIPE) AROUND PIPE ON ROOF BEFORE VENT CAP IS INSTALLED.
 5. SEAL AROUND SHOWER WITH SILICONE.
 4. USE SMOOTH PLUMBERS PUTTY 167459-01-000 TO SEAL STRAINER (0.2 PER STRAINER).
 3. ALL PIPE AND FITTINGS TO BE ASSEMBLED WITH SOLVENT 004020-01-000 (USA), 004020-02-000 (CAN)
 2. SLOPE OF TRAP ARM MUST BE 6 PER 305 mm.
 1. SLOPE OF HORIZONTAL PIPING TO BE MINIMUM OF 3 PER 305 mm.

- 21S WASHER/DRYER STACKED
- 1B1 CODES/STANDARDS USA
- 265 CODES/STDS-CSA,CMVSS
- 21M WASHER/DRYER PREP

		COPYRIGHT 2014 WINNEBAGO INDUSTRIES, INC.	
DTR	ORIG. DATE	ALL DIMENSIONS ARE IN MILLIMETERS	
CHKR			
P.E.			
M.E.	FIRST USED		
DSNR		14 L38R	
UNSPECIFIED TOLERANCES ARE:		MATERIAL:	
WHOLE DIM (X)	: 3		
ONE-PLACE (X.X)	: 1.5		
TWO-PLACE (X.XX)	: 0.50		
ANGLE	: 1°		
THIRD ANGLE PROJECTION			
DO NOT SCALE DRAWING		REFER TO ES0018 FOR FASTENER TIGHTENING GUIDELINES	
TITLE: DRAINAGE SYSTEM INSTL			
SHEET 1 OF 4	PART NO	185524	REV
REF:	1	03-Jul-2014	

FOR DRAINAGE CALLOUTS SEE DWG NO 116229-01-000

* 185524 * A

SHOWER INSTL
182340-03-000

DETAIL BC
TOILET-STYLE II
160815-01-CHT

STRAP-CONDUIT
008406-01-000(3)

4
SINK-GALLEY
184806-01-CHT
STRAINER
092303-01-000 (2)
NUT
130403-01-000
WASHER-RUBBER
127440-02-CHT
ANGLE-W/SLOTS
140002-01-CHT (10)

W-2

VM-1

T-1

1B1 P-1
265 P-3
1B1 A-15

1 70
1 205
265

E-6

1 495

1 2700

DETAIL BB

VIEW BA

TRAP-WATERLESS
165406-01-000

E-1

1 130

E-14

1 100

E-1

E-6

E-5

A-15

A-9

1 55

C-3

Y-1

1 70

4 152

1 385

C-3

STRAINER
066440-01-000

1 50

C-3

ELBOW-DRAIN
131486-01-000

PLATFORM-HOLDING TANK
126714-56-000
FOAM
100619-27-002

3 650

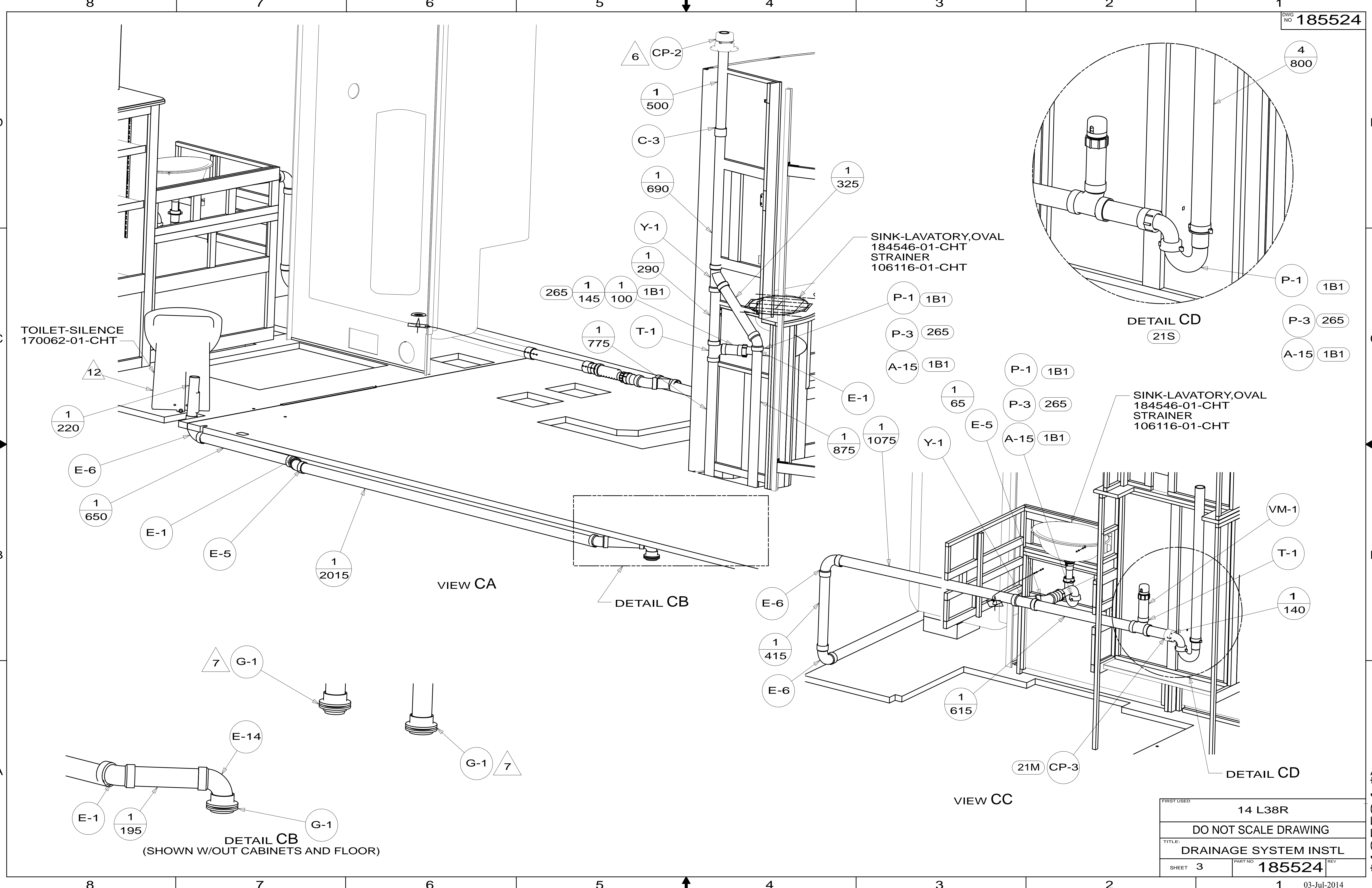
10

DETAIL BB
(SHOWN W/OUT CABINETS AND FLOOR)

DETAIL BC
(SHOWN W/OUT SHOWER AND CABINETS)

FIRST USED	14 L38R
DO NOT SCALE DRAWING	
TITLE: DRAINAGE SYSTEM INSTL	
SHEET 2	PART NO 185524 REV
03-Jul-2014	

*185524 *A



TOILET-SILENCE
170062-01-CHT

SINK-LAVATORY, OVAL
184546-01-CHT
STRAINER
106116-01-CHT

DETAIL CD
21S

SINK-LAVATORY, OVAL
184546-01-CHT
STRAINER
106116-01-CHT

VIEW CA

DETAIL CB

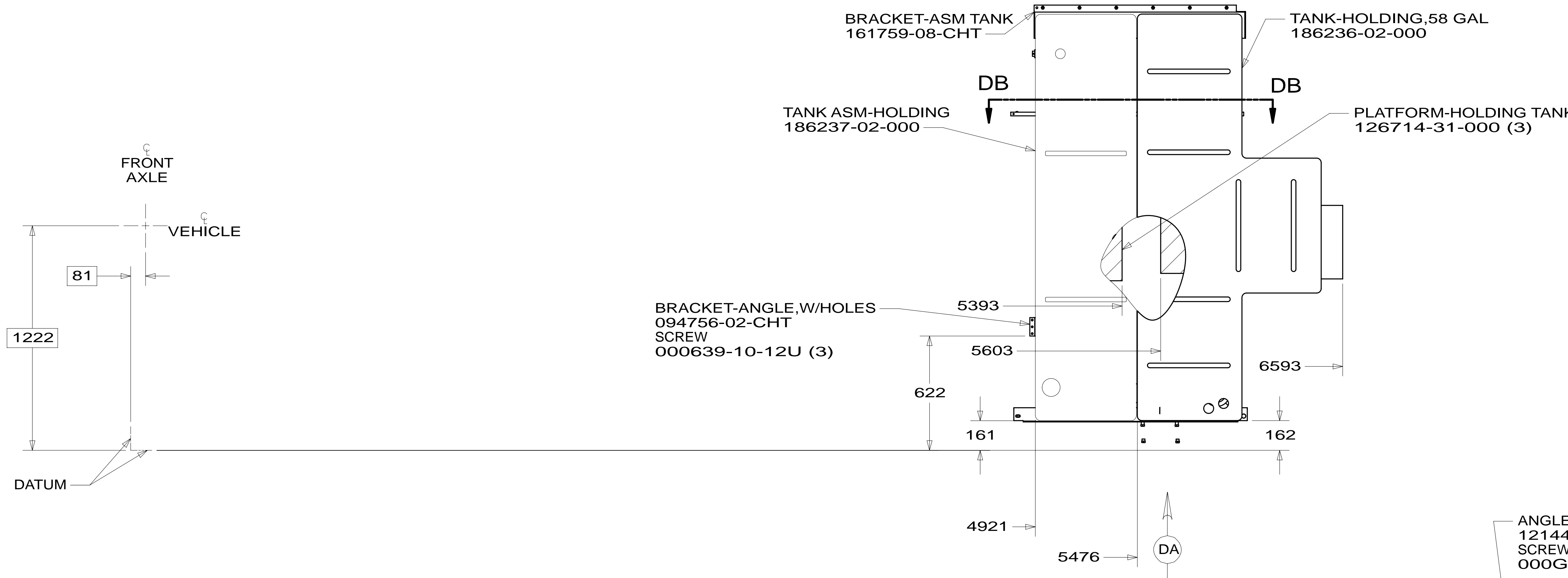
VIEW CC

DETAIL CD

DETAIL CB
(SHOWN W/OUT CABINETS AND FLOOR)

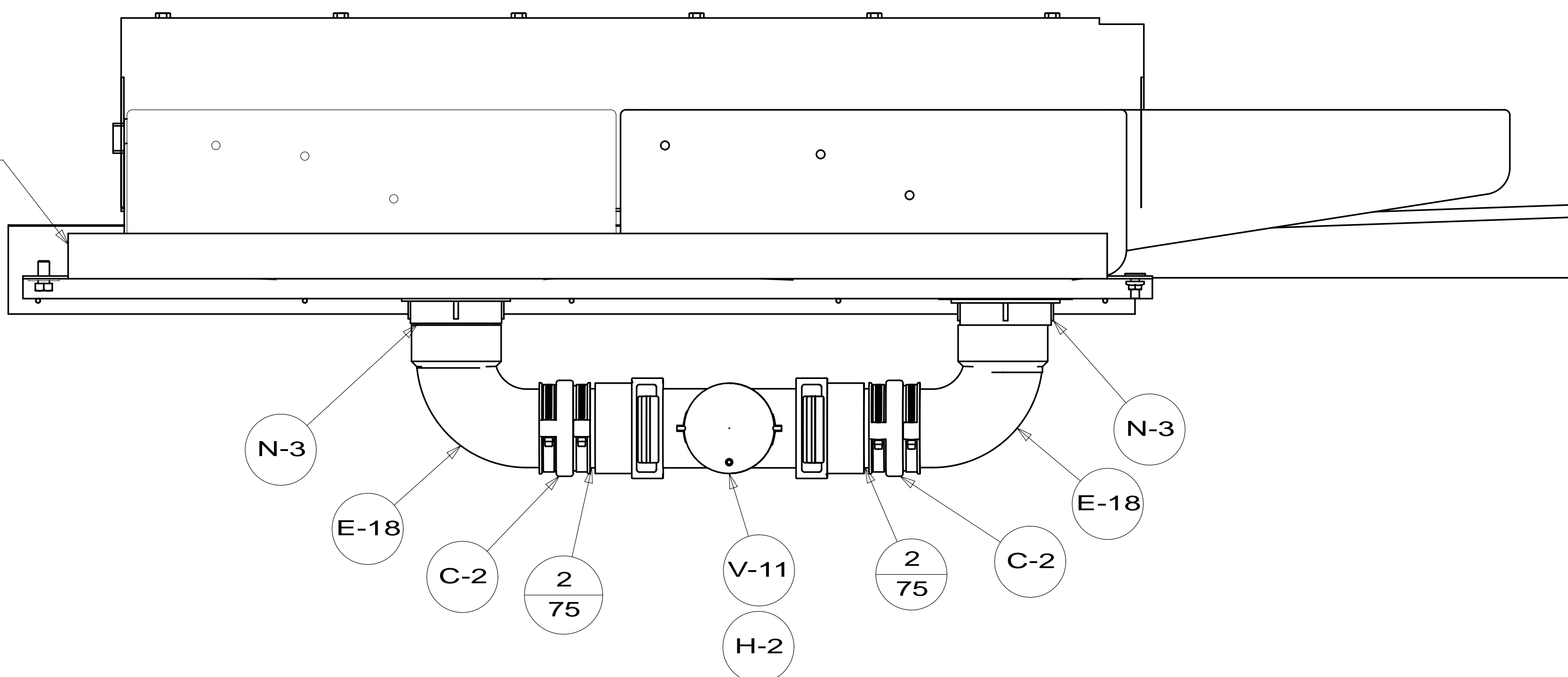
FIRST USED	14 L38R	
TITLE:	DO NOT SCALE DRAWING	
SHEET	3	PART NO 185524
REV		03-Jul-2014

*185524 *A

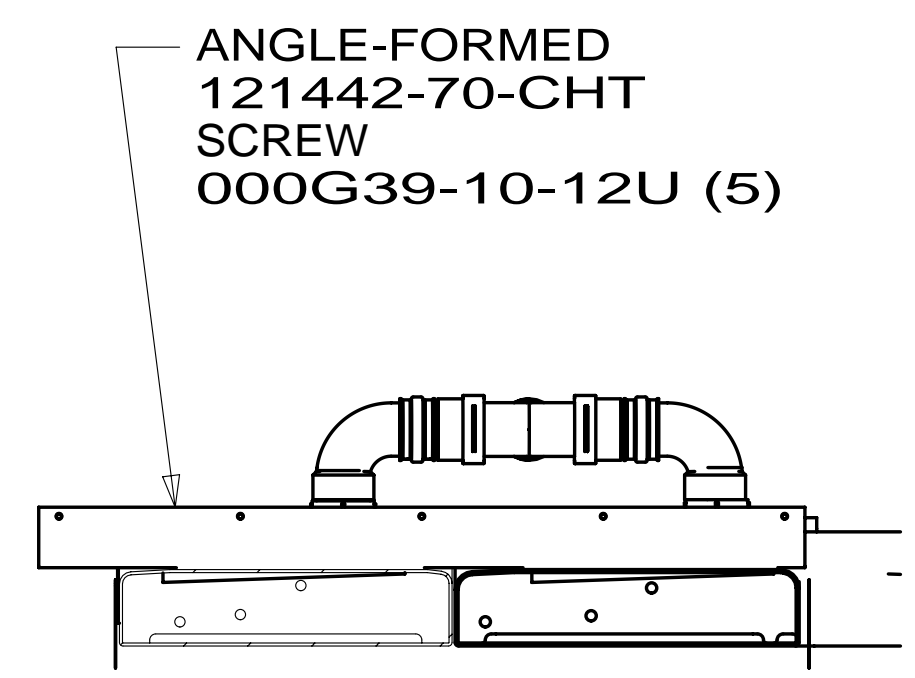


TOP VIEW SHOWING TANKS AND DRAINS

- BRACKET ASM-TANK, HOLDING
162818-03-CHT
- BOLT
000C12-08-16U (2)
- WASHER-LOCK
000E11-08-00U (2)
- WASHER
000E13-22-00U (2)
- NUT
000D39-06-00U (2)



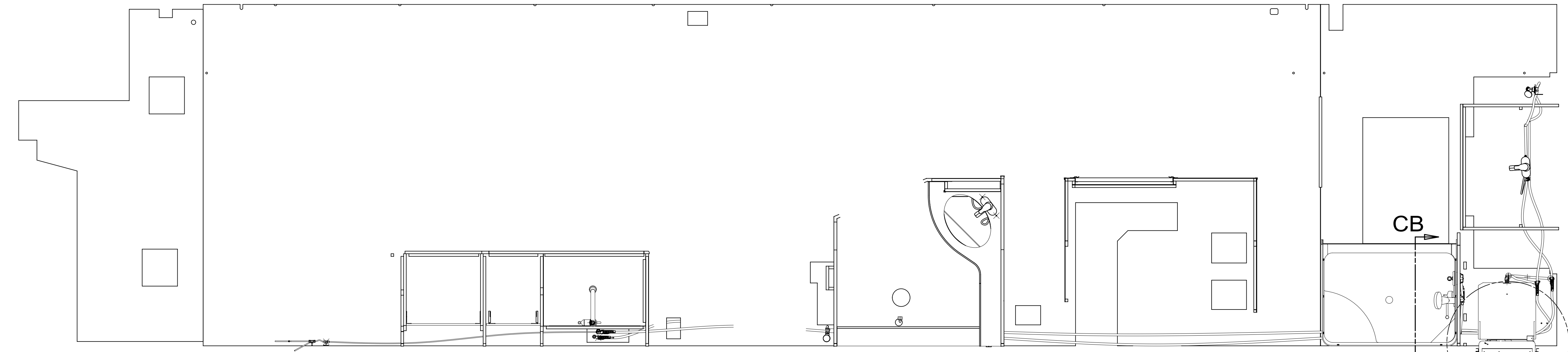
VIEW DA



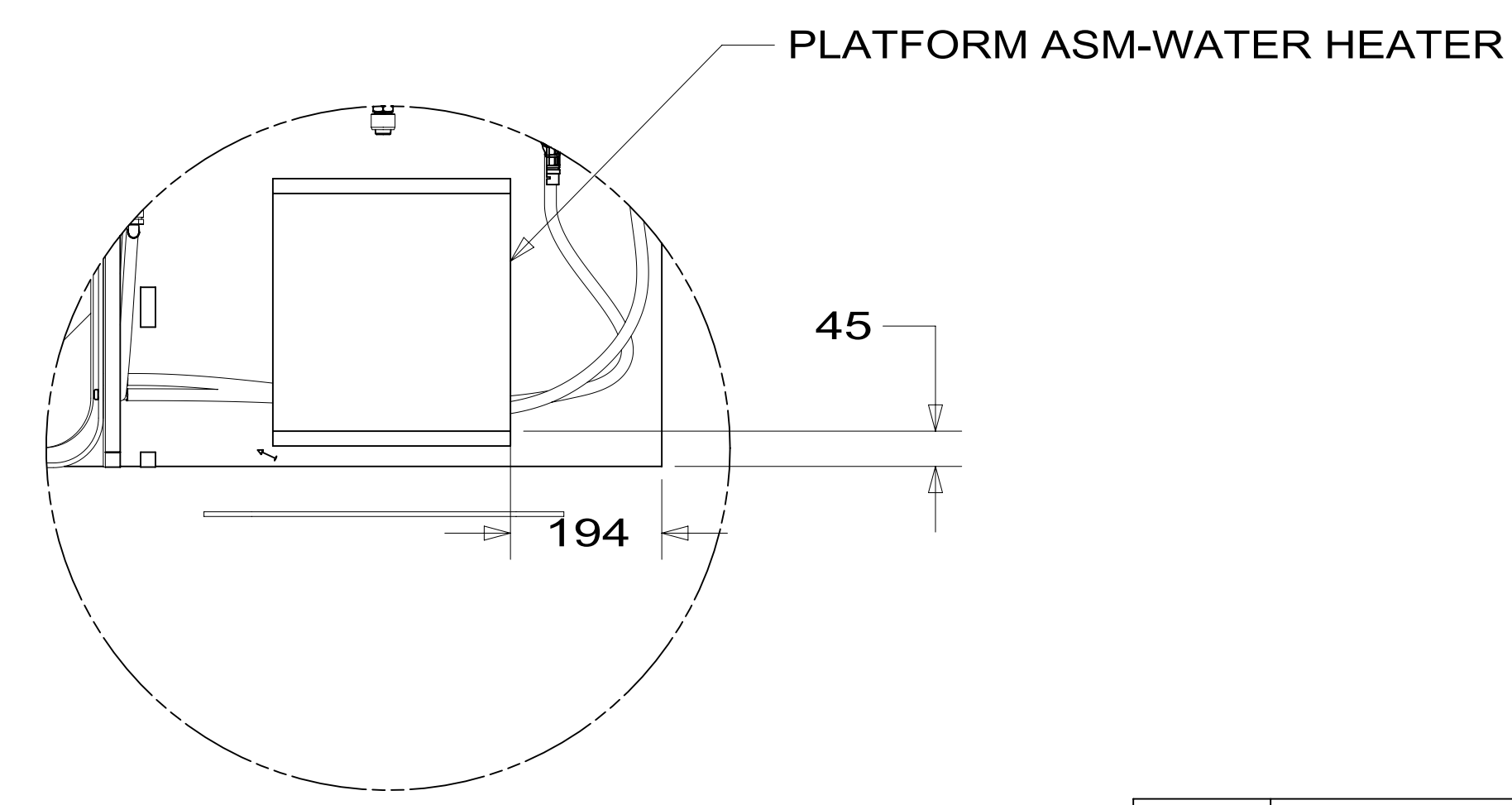
SECTION DB-DB

FIRST USED	14 L38R	
DO NOT SCALE DRAWING		
TITLE: DRAINAGE SYSTEM INSTL		
SHEET 4	PART NO 185524	REV
		03-Jul-2014

*185524 *A



- NOTES:**
1. PLASTIC FITTINGS TO BE SEALED WITH SEALANT 084456-01-000.
 2. TUBING TO BE INSTALLED WITH SUFFICIENT SLOPE TO PROVIDE DRAINAGE TO NEAREST VALVE.
 3. ALL TUBING TO BE SECURED AT 1200 INTERVALS MAXIMUM WITH CLAMP 010495-01-000 AND SCREW 000G67-10-12U OR EQUIVALENT.
 4. ADD TEFLON TAPE 010405-02-000.
 5. ADD PIPE WRAP (LADDER SCRAP 110157-02-000) INSULATION.
 6. LABEL HOT AND COLD SUPPLY TUBES AND TAPE FITTING TO TUBE BEFORE CABINET SET TO PREVENT MOVEMENT.
 7. ALL CRIMP FITTINGS TO 5/8" PEX TUBING REQUIRE 5/8" CLAMP 140171-04-000.
 8. ALL CRIMP FITTINGS TO 1/2" PEX TUBING REQUIRE 1/2" CLAMP 140171-03-000.
 9. ELBOW TO BE TURN 45° BELOW HORIZONTAL LINE.
 10. INSTALL FAUCET W/OUT BASEPLATE.
 11. VALVE MUST REMAIN OPEN AFTER WATER TEST.
 12. FOR INSTALLATION USE SILICON-ADHESIVE 131264-05-CHT. APPLY ON TOP OF PLATE, PLACE COVER ON, AND PUT ADHESIVE AROUND COVER.



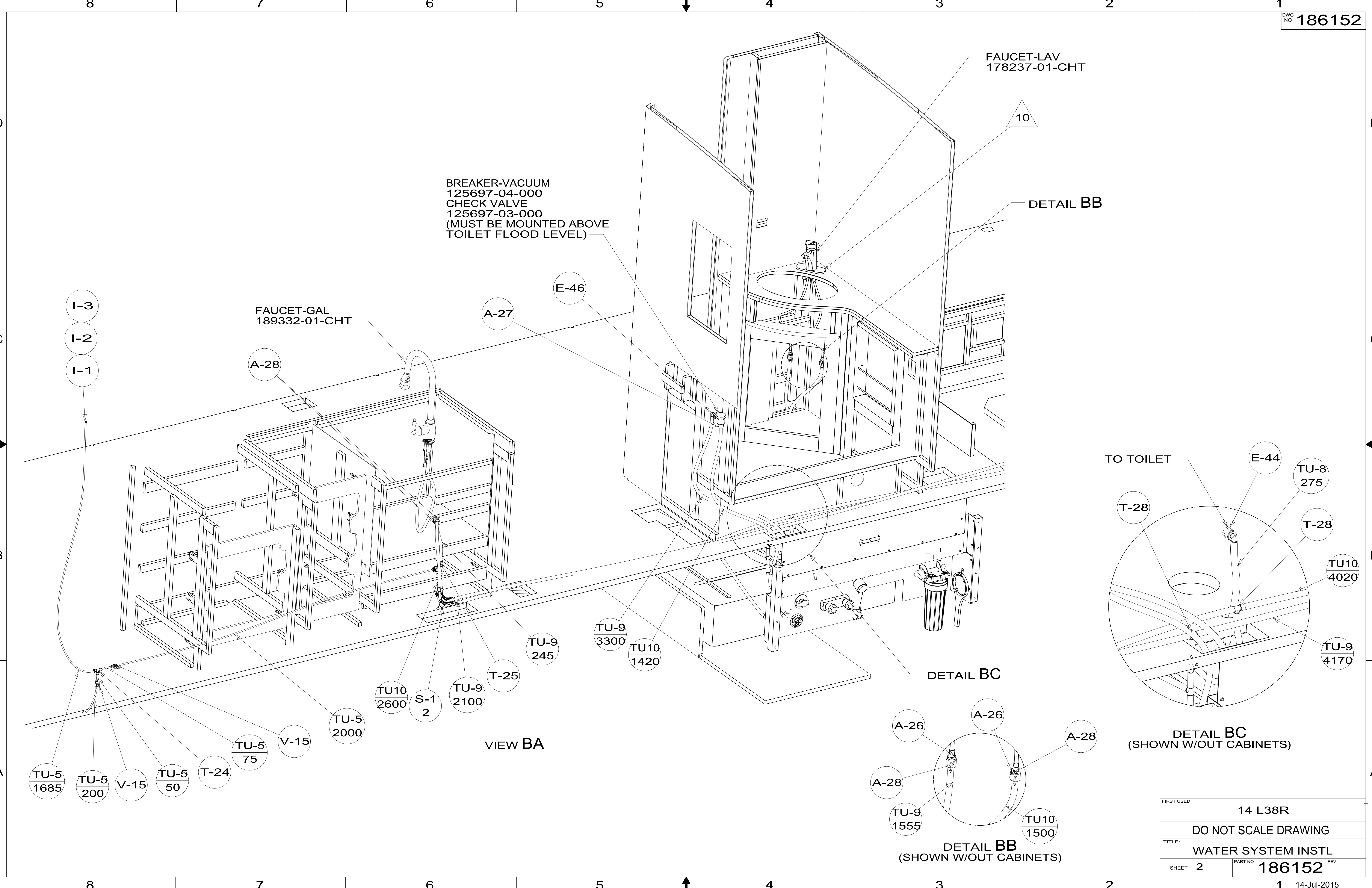
DETAIL AA

- 21S WASHER & DRYER-PAIR
- 21M WASHER/DRYER PREP

WINNEBAGO		COPYRIGHT 2014 WINNEBAGO INDUSTRIES, INC.	
DFTR	ORIG. DATE	ALL DIMENSIONS ARE IN MILLIMETERS	
CHKR			
P.E.			
M.E.	FIRST USED		
DSNR		14 L38R	
UNSPECIFIED TOLERANCES ARE:		MATERIAL:	
WHOLE DIM (X)	: 3		
ONE-PLACE (X.X)	: 1.5		
TWO-PLACE (X.XX)	: 0.50		
ANGLE	: 1°		
THIRD ANGLE PROJECTION			
DO NOT SCALE DRAWING		REFER TO ES0018 FOR FASTENER TIGHTENING GUIDELINES	
TITLE: WATER SYSTEM INSTL			
SHEET 1 OF 4	PART NO	186152	REV
REF:	1	14-Jul-2015	

FOR WATER CALLOUTS SEE DWG NO 116230-01-000

*186152 *A



BREAKER-VACUUM
125697-04-000
CHECK VALVE
125697-03-000
(MUST BE MOUNTED ABOVE
TOILET FLOOD LEVEL)

FAUCET-LAV
178237-01-CHT

DETAIL BB

FAUCET-GAL
189332-01-CHT

A-27

E-46

A-28

I-3
I-2
I-1

TO TOILET

TU-8
275

T-28

TU10
4020

TU-9
4170

VIEW BA

DETAIL BC

DETAIL BC
(SHOWN W/OUT CABINETS)

A-26

A-26

A-28

A-28

TU-9
1555

TU10
1500

DETAIL BB
(SHOWN W/OUT CABINETS)

TU-5
1685

TU-5
200

V-15

TU-5
50

T-24

TU-5
75

V-15

TU-5
2000

TU10
2600

S-1
2

TU-9
2100

T-25

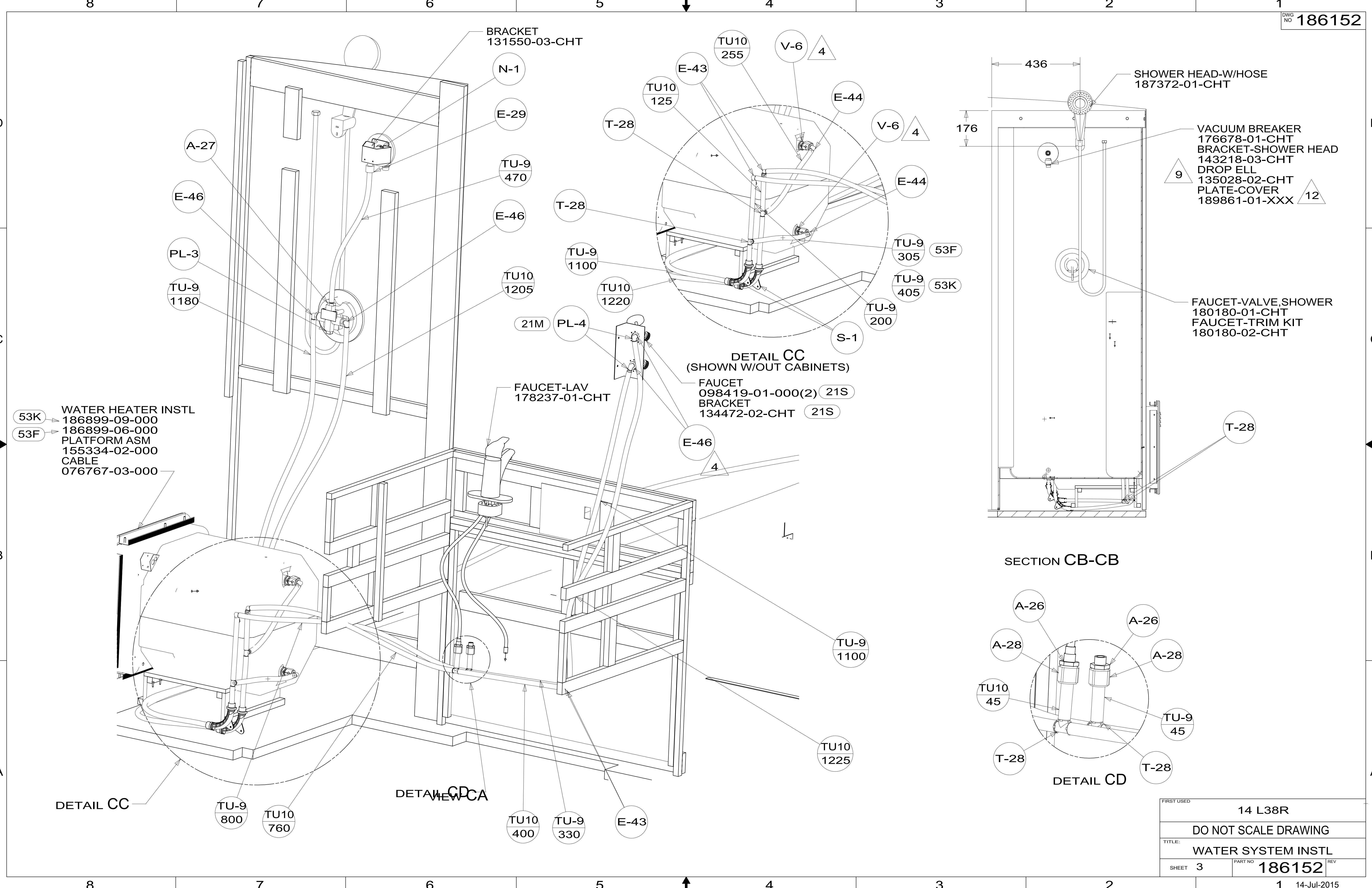
TU-9
245

TU-9
3300

TU10
1420

FIRST USED	14 L38R	
TITLE:	DO NOT SCALE DRAWING	
	WATER SYSTEM INSTL	
SHEET 2	PART NO 186152	REV
		14-Jul-2015

186152



53K WATER HEATER INSTL
186899-09-000
53F 186899-06-000
PLATFORM ASM
155334-02-000
CABLE
076767-03-000

BRACKET
131550-03-CHT

DETAIL CC
(SHOWN W/OUT CABINETS)

SECTION CB-CB

DETAIL CD

SHOWER HEAD-W/HOSE
187372-01-CHT

VACUUM BREAKER
176678-01-CHT
BRACKET-SHOWER HEAD
143218-03-CHT
DROP ELL
135028-02-CHT
PLATE-COVER
189861-01-XXX

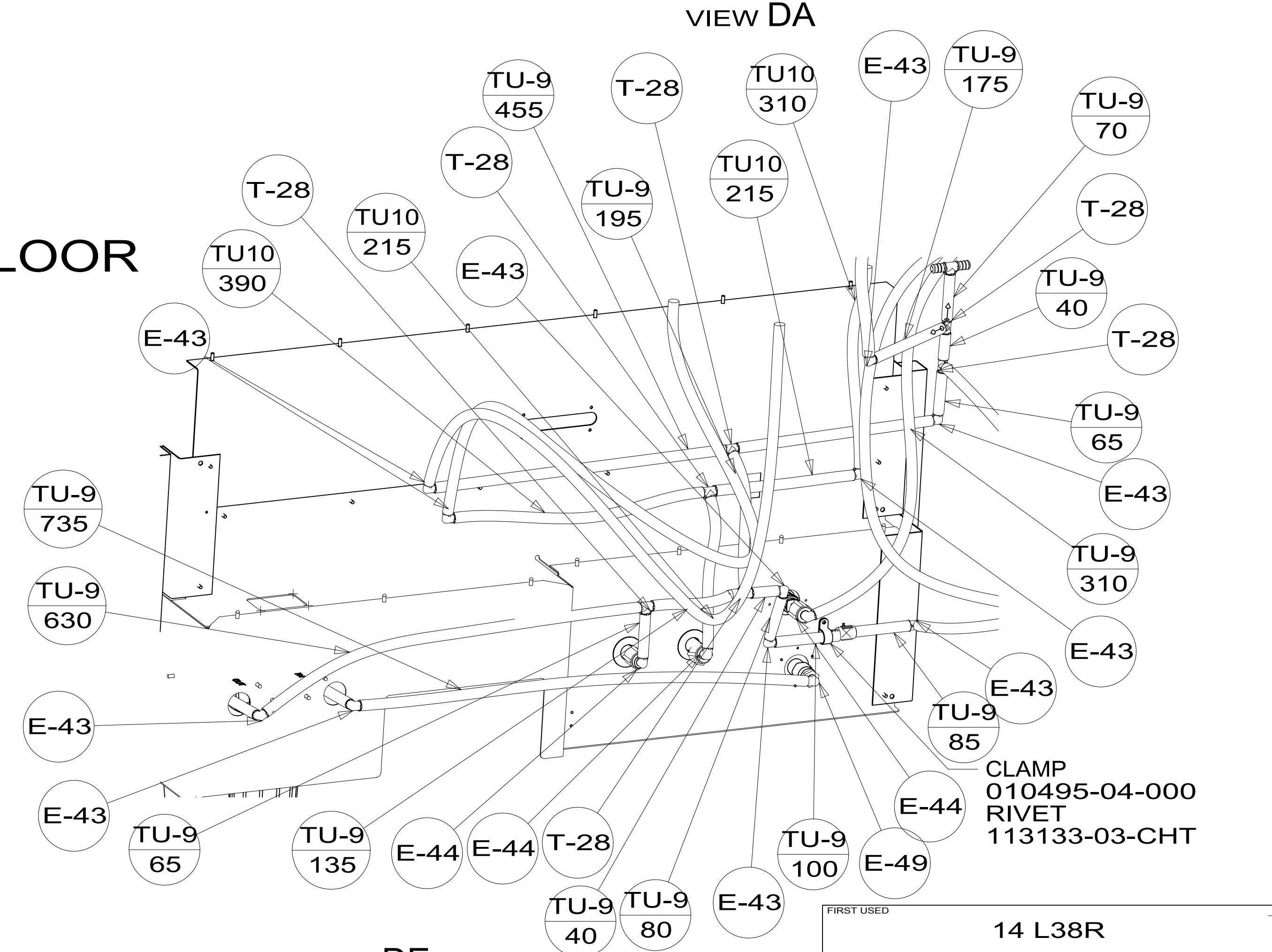
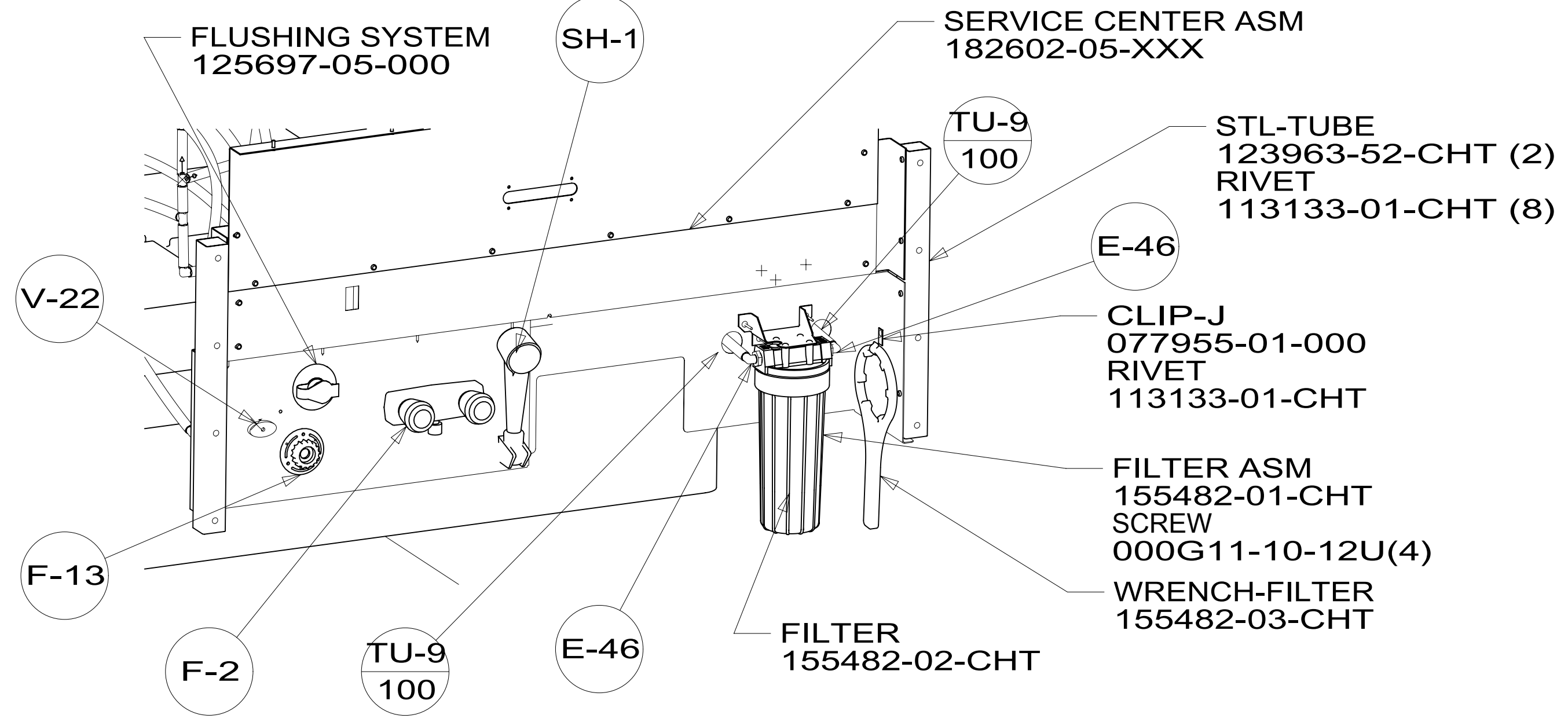
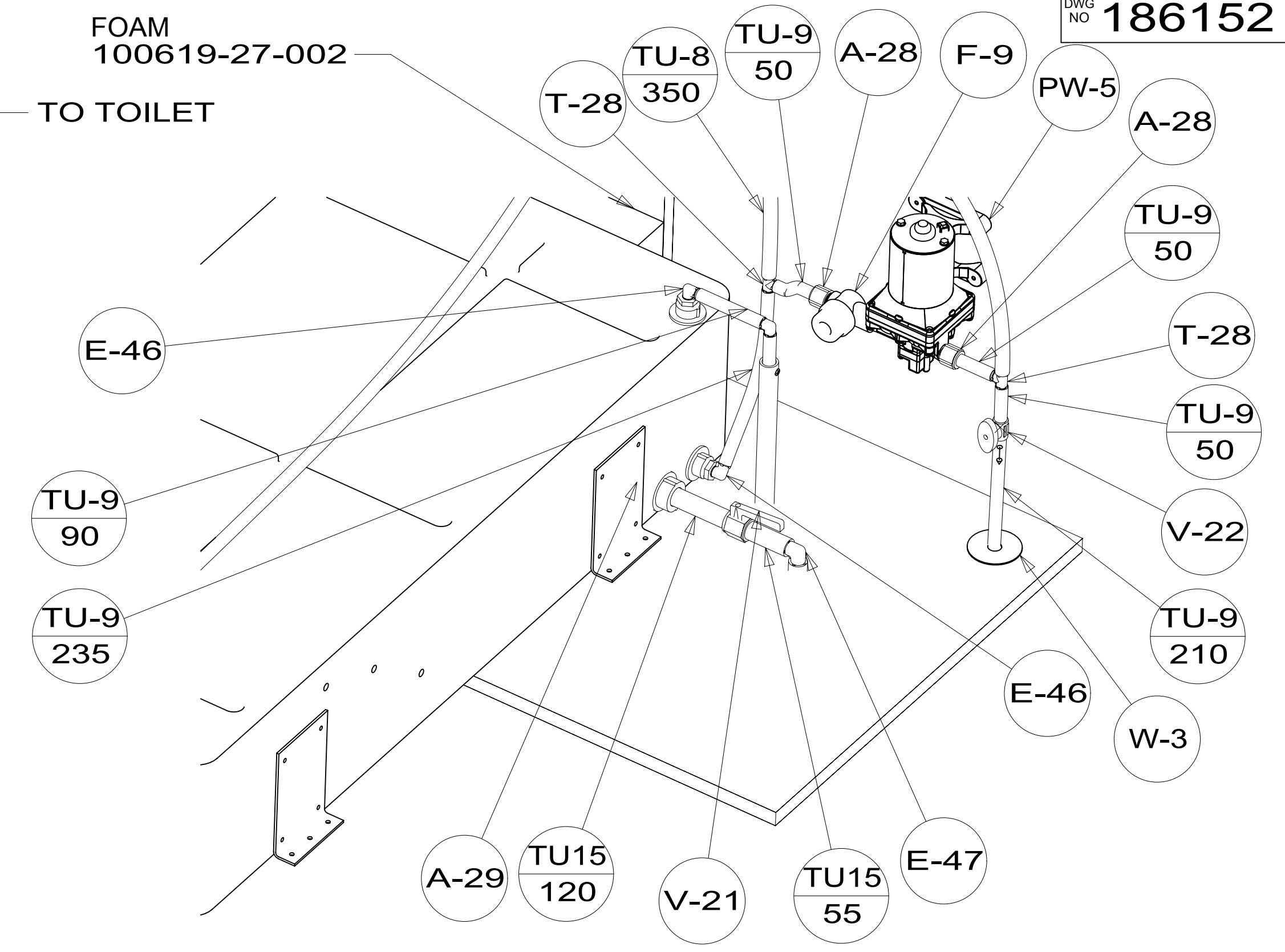
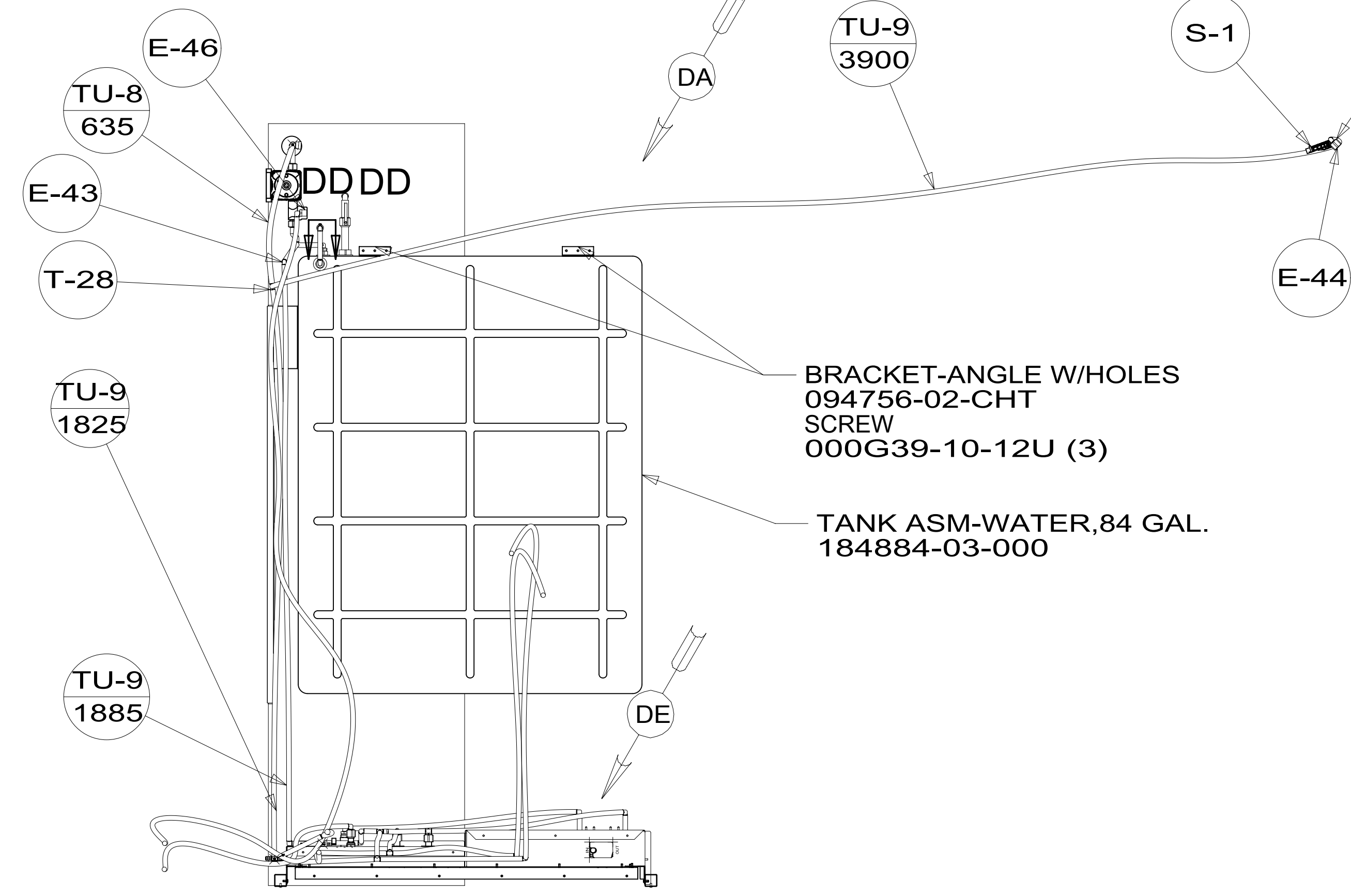
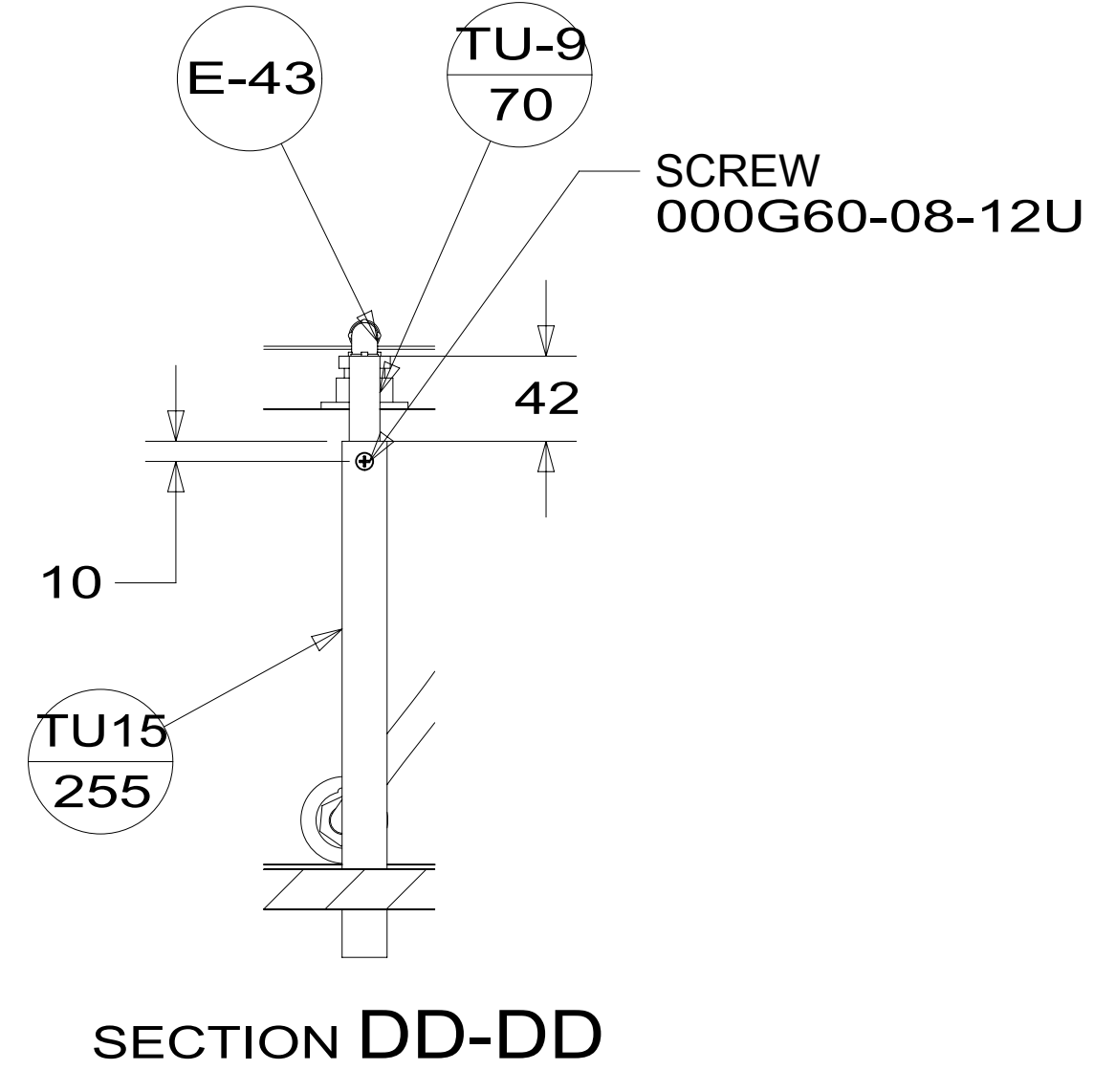
FAUCET-VALVE,SHOWER
180180-01-CHT
FAUCET-TRIM KIT
180180-02-CHT

DETAIL CC

DETAIL CD

FIRST USED	14 L38R	
TITLE:	DO NOT SCALE DRAWING	
SHEET	3	PART NO 186152
		REV
		14-Jul-2015

186152



FIRST USED	14 L38R
TITLE:	DO NOT SCALE DRAWING
SHEET 4	PART NO 186152 REV
	14-Jul-2015

186152