

- (23R) DRAINAGE SYSTEM/HEAT-PREWIRE
- (1JD) DRAINAGE SYSTEM-HEATED-W/O
- (23T) DRAINAGE SYSTEM-HEATED
- (464) TOILET
- (265) CODES/STANDARDS-CSA/CMVSS
- (1B1) CODES/STANDARDS USA

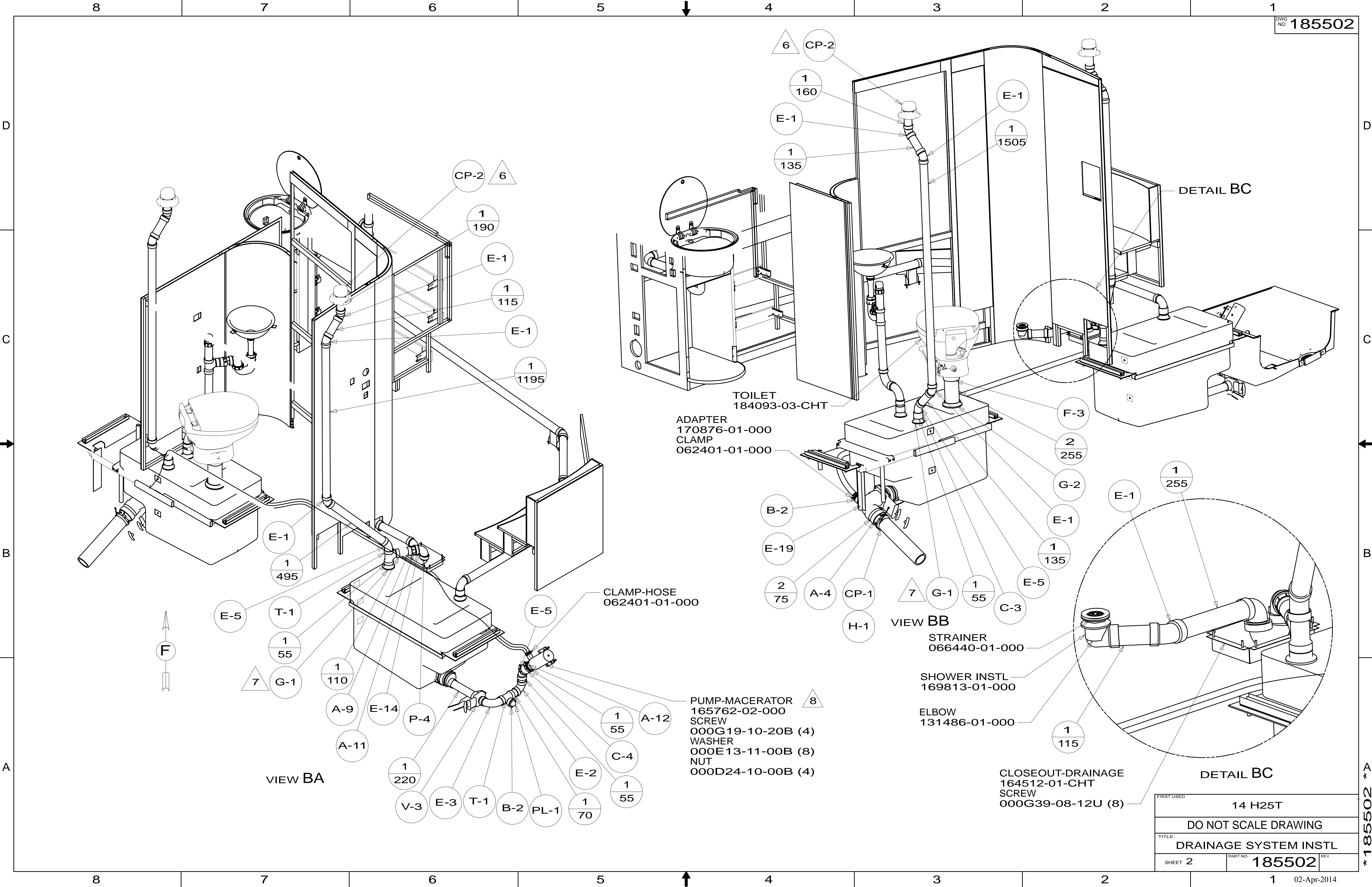
- 9 PREP THE SURFACE PER MANUFACTURERS INSTRUCTIONS, THEN APPLY ADHESIVE 067788-04-000 (0.10) ON PREPARED AREA BEFORE APPLYING THE HEADING PAD PER MANUFACTURERS INSTRUCTIONS.
- 8 FOLLOW SEWAGE MACERATOR PUMP WINTERIZATION PROCEDURE. EACH PUMP REQUIRES TWO GALLONS OF RV ANTIFREEZE 182955-01-000.
- 7 SECURE VENT PIPE TO FLOOR WITH CLAMP 062401-02-000 (2), SCREW 000G67-10-12U (2), BRACKET 136878-01-CHT (2).
- 6 VENT PIPE MUST PROJECT 51 MIN AND 64 MAX ABOVE ROOF FOR PROPER FIT AND FUNCTION. ADD S-1 (116666-01-CHT SEAL-VENT PIPE) AROUND PIPE ON ROOF BEFORE VENT CAP IS INSTALLED.
5. SEAL AROUND SHOWER WITH SILICONE.
4. SECURE DRAINAGE PIPES TO CABINET USING WIRE TIE 108046-02-000, AND SCREW 000G67-10-12U AT INTERVALS OF NOT MORE THAN 4 FEET APART.
3. ALL PIPE AND FITTINGS TO BE ASSEMBLED WITH SOLVENT 004020-01-000 (USA), 004020-02-000 (CAN)
2. SLOPE OF TRAP ARM MUST BE 6 PER 305 mm.
1. SLOPE OF HORIZONTAL PIPING TO BE MINIMUM OF 3 PER 305 mm.

NOTES:

FOR DRAINAGE CALLOUTS SEE DWG NO 116229-01-000

		COPYRIGHT 2014 WINNEBAGO INDUSTRIES, INC.
DFT-ORIG	ORIG. DATE	
CHKR	ALL DIMENSIONS ARE IN MILLIMETERS	
P.E.		
M.E.	FIRST USED	
DSNR	14 H25T	
UNSPECIFIED TOLERANCES ARE:		MATERIAL:
WHOLE DIM (X)	: 3	
ONE-PLACE (X.X)	: 1.5	
TWO-PLACE (X.XX)	: 0.50	
ANGLE	: 1°	
THIRD ANGLE PROJECTION		
DO NOT SCALE DRAWING		REFER TO ES0018 FOR FASTENER TIGHTENING GUIDELINES
TITLE: DRAINAGE SYSTEM INSTL		
SHEET 1 OF 4	PART NO 185502	REV
REF:	1	02-Apr-2014

\* 185502 \*



TOILET  
184093-03-CHT  
ADAPTER  
170876-01-000  
CLAMP  
062401-01-000

CLAMP-HOSE  
062401-01-000

PUMP-MACERATOR  
165762-02-000  
SCREW  
000G19-10-20B (4)  
WASHER  
000E13-11-00B (8)  
NUT  
000D24-10-00B (4)

VIEW BB  
STRAINER  
066440-01-000

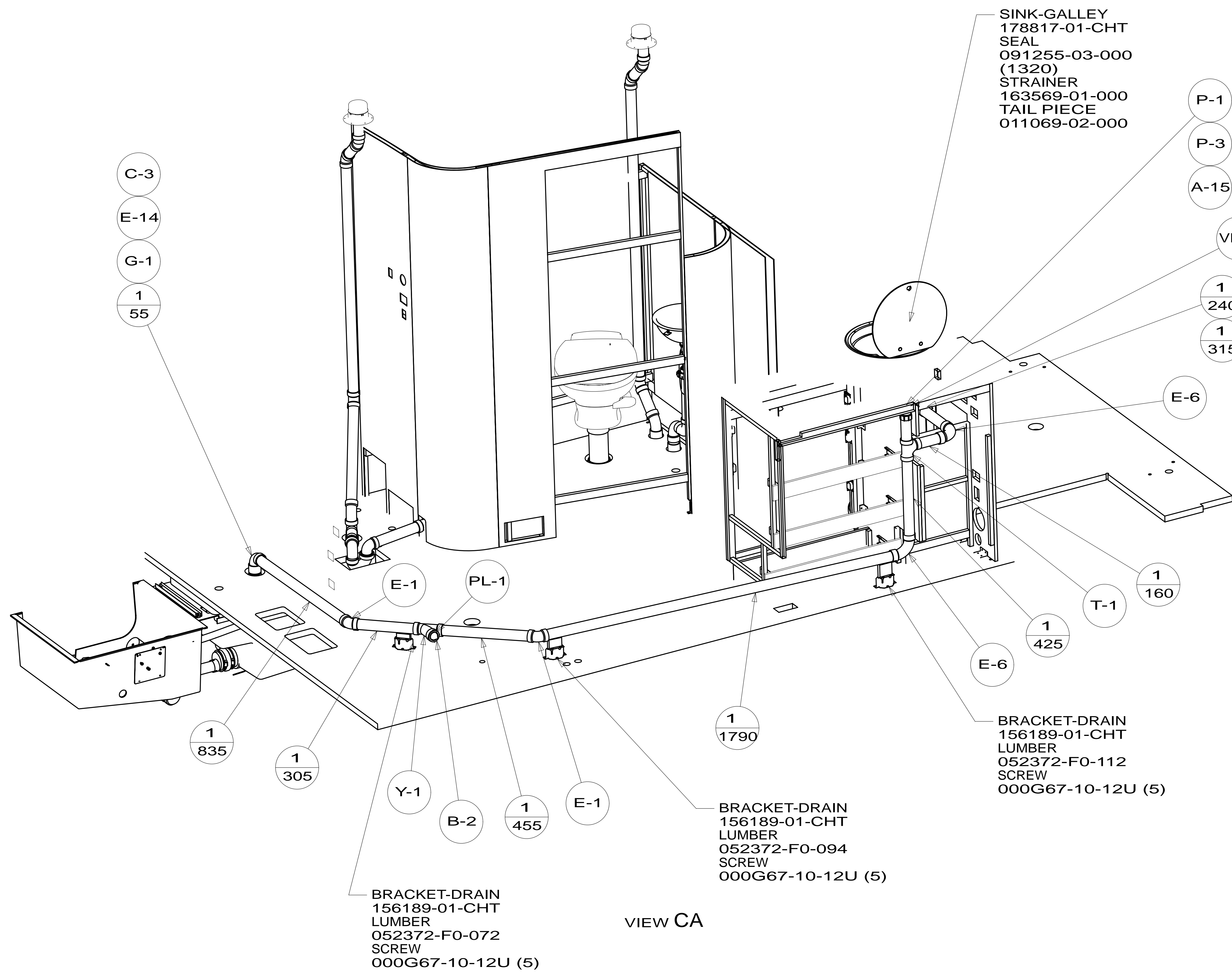
SHOWER INSTL  
169813-01-000

ELBOW  
131486-01-000

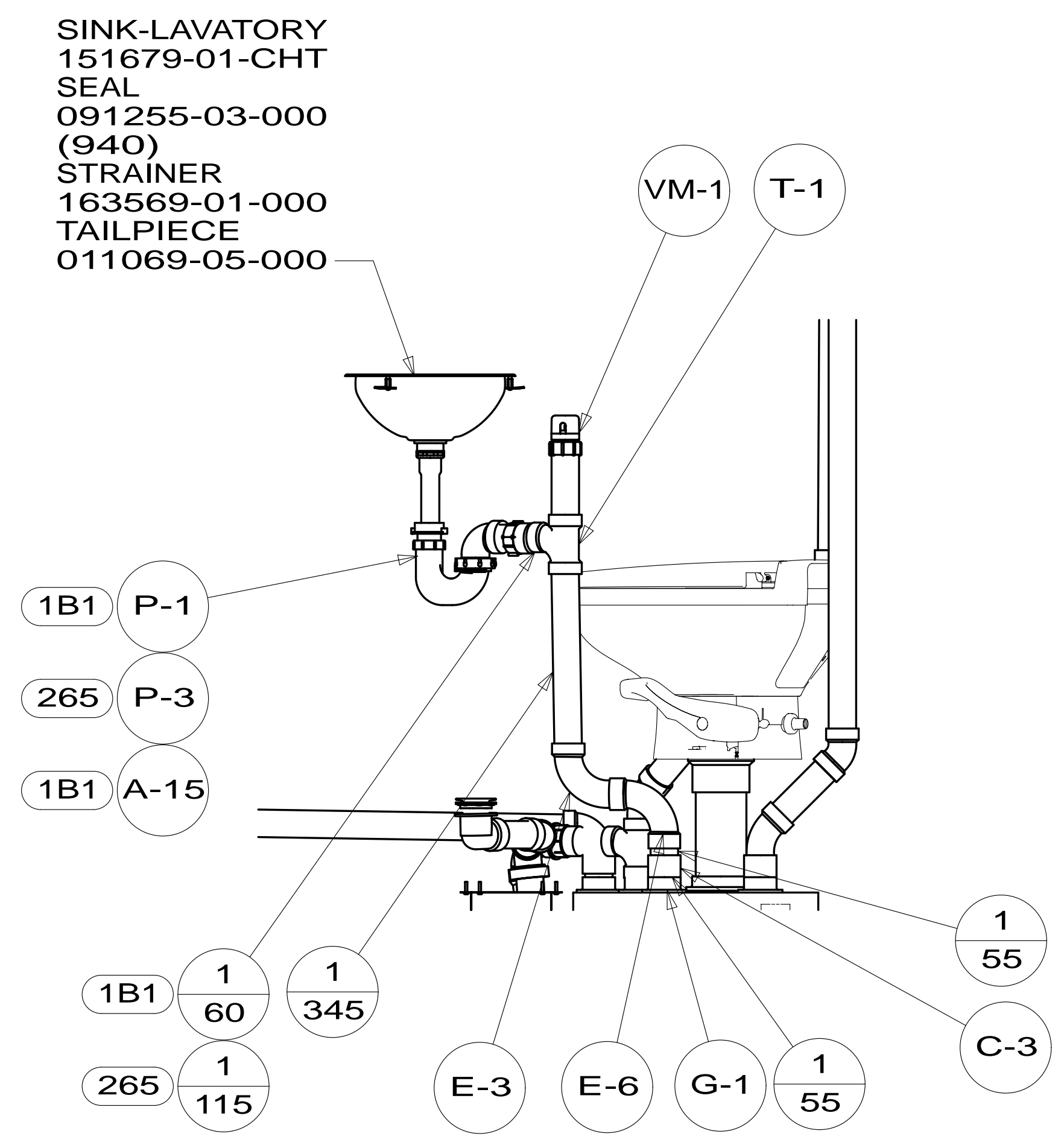
CLOSEOUT-DRAINAGE  
164512-01-CHT  
SCREW  
000G39-08-12U (8)

FIRST USED	14 H25T
DO NOT SCALE DRAWING	
TITLE: DRAINAGE SYSTEM INSTL	
SHEET 2	PART NO 185502 REV

\* 185502



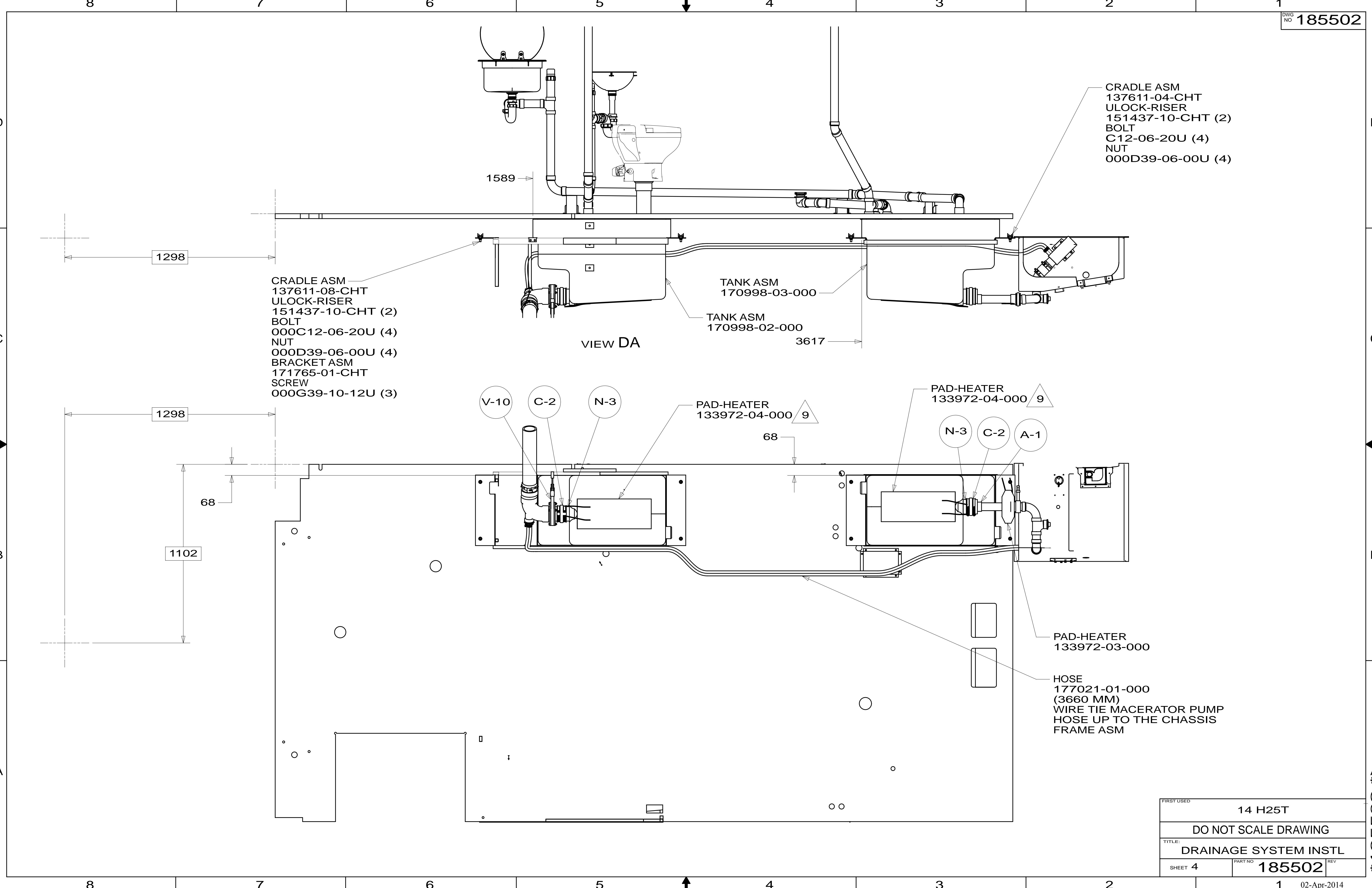
VIEW CA



VIEW CB

FIRST USED	14 H25T	
TITLE:	DO NOT SCALE DRAWING	
TITLE:	DRAINAGE SYSTEM INSTL	
SHEET 3	PART NO 185502	REV
		02-Apr-2014

\* 185502 \* A



1298

1298

1102

1589

3617

68

68

CRADLE ASM  
137611-08-CHT  
ULOCK-RISER  
151437-10-CHT (2)  
BOLT  
000C12-06-20U (4)  
NUT  
000D39-06-00U (4)  
BRACKET ASM  
171765-01-CHT  
SCREW  
000G39-10-12U (3)

CRADLE ASM  
137611-04-CHT  
ULOCK-RISER  
151437-10-CHT (2)  
BOLT  
C12-06-20U (4)  
NUT  
000D39-06-00U (4)

TANK ASM  
170998-03-000  
TANK ASM  
170998-02-000

VIEW DA

V-10  
C-2  
N-3

PAD-HEATER  
133972-04-000 9

PAD-HEATER  
133972-04-000 9

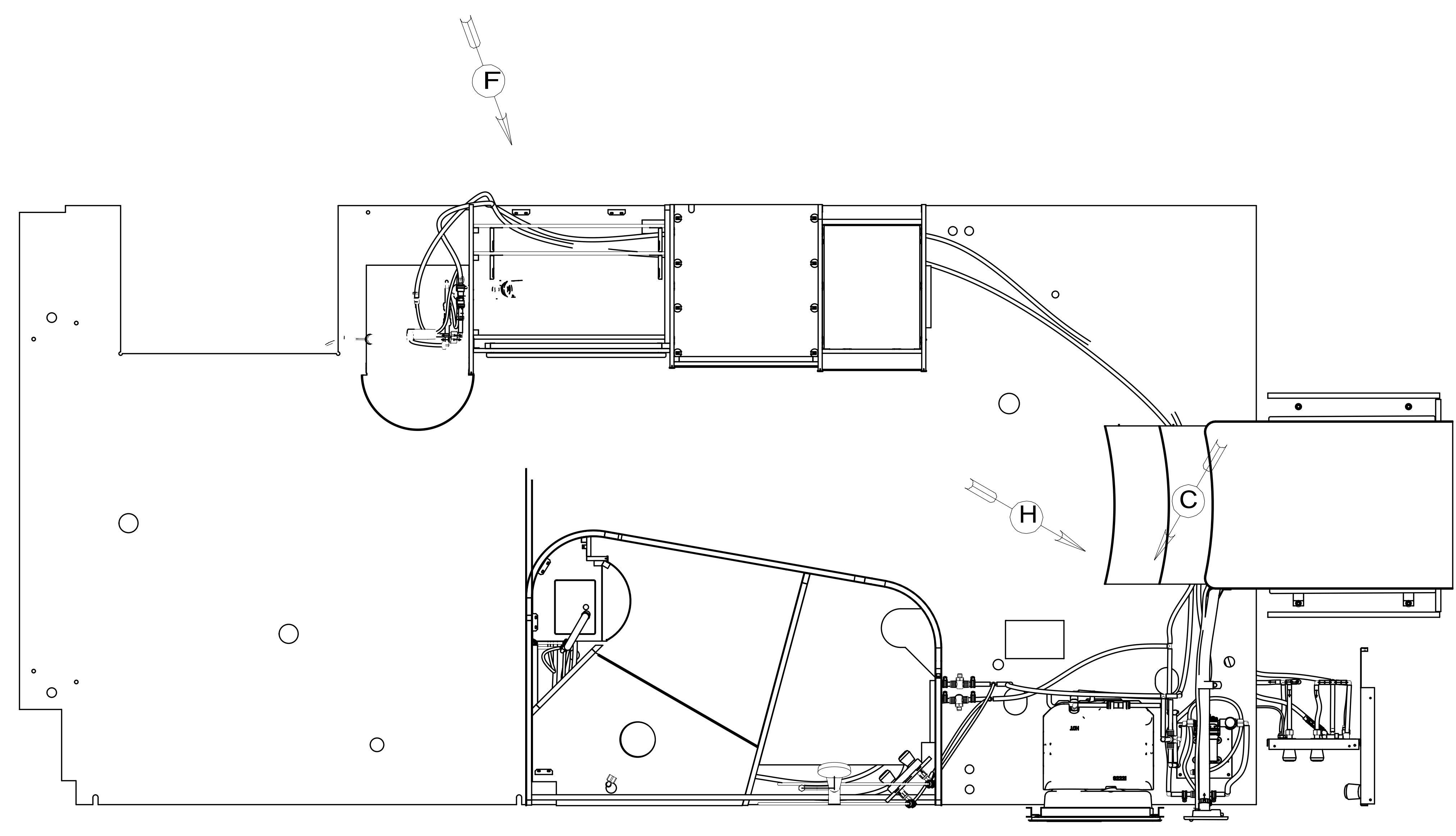
N-3  
C-2  
A-1

PAD-HEATER  
133972-03-000

HOSE  
177021-01-000  
(3660 MM)  
WIRE TIE MACERATOR PUMP  
HOSE UP TO THE CHASSIS  
FRAME ASM

FIRST USED	14 H25T		
TITLE:	DO NOT SCALE DRAWING		
	DRAINAGE SYSTEM INSTL		
SHEET 4	PART NO	185502	REV
			1
			02-Apr-2014

\* 185502 \* A



- 11 INSTALL BETWEEN MOUNTING PLATE AND RETAINING NUTS.
- 10 LAVATORY FAUCET SPOUT TO BE TURNED 180° SO THE ON/OFF HANDLE IS FACING TOWARD THE SHOWER.
- 9. INSTALL CONNECTOR WITH TAPERED END AWAY FROM FAUCET.
- 8. ALL CRIMP FITTINGS TO 1/2" PEX TUBING REQUIRE 1/2" CLAMP 140171-03-000.
- 7. ALL CRIMP FITTINGS TO 5/8" PEX TUBING REQUIRE 5/8" CLAMP 140171-04-000.
- 6 LABEL HOT AND COLD SUPPLY TUBES AND TAPE FITTING TO TUBE BEFORE CABINET SET TO PREVENT MOVEMENT.
- 5 ADD PIPE WRAP (LADDER SCRAP 110157-02-000) INSULATION.
- 4 ADD TEFLON TAPE 010405-02-000.
- 3. ALL TUBING TO BE SECURED AT 1200 INTERVALS MAXIMUM WITH CLAMP 010495-01-000 AND SCREW 000G67-10-12U OR EQUIVALENT.
- 2. TUBING TO BE INSTALLED WITH SUFFICIENT SLOPE TO PROVIDE DRAINAGE TO NEAREST VALVE.
- 1. PLASTIC FITTINGS TO BE SEALED WITH SEALANT 084456-01-000.

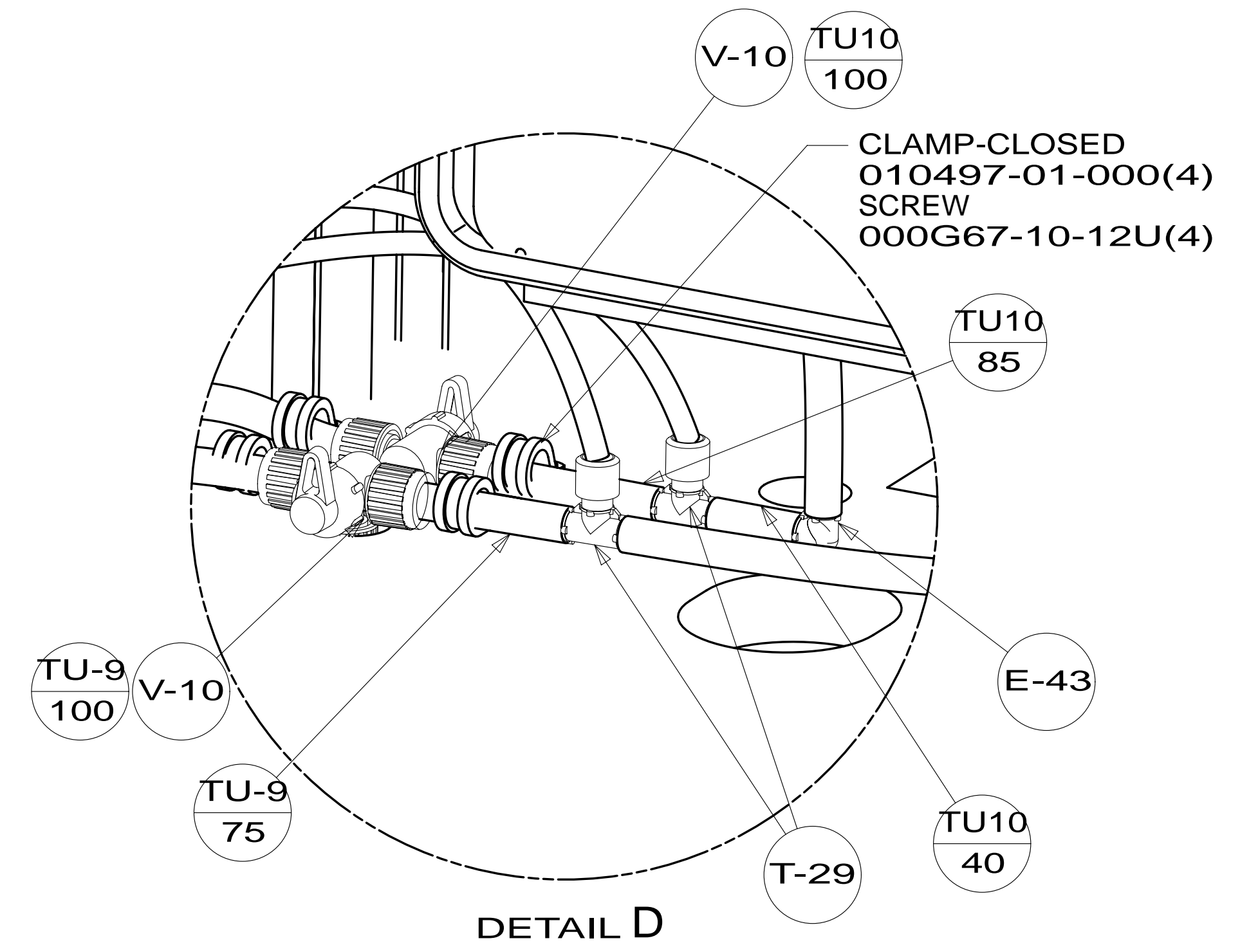
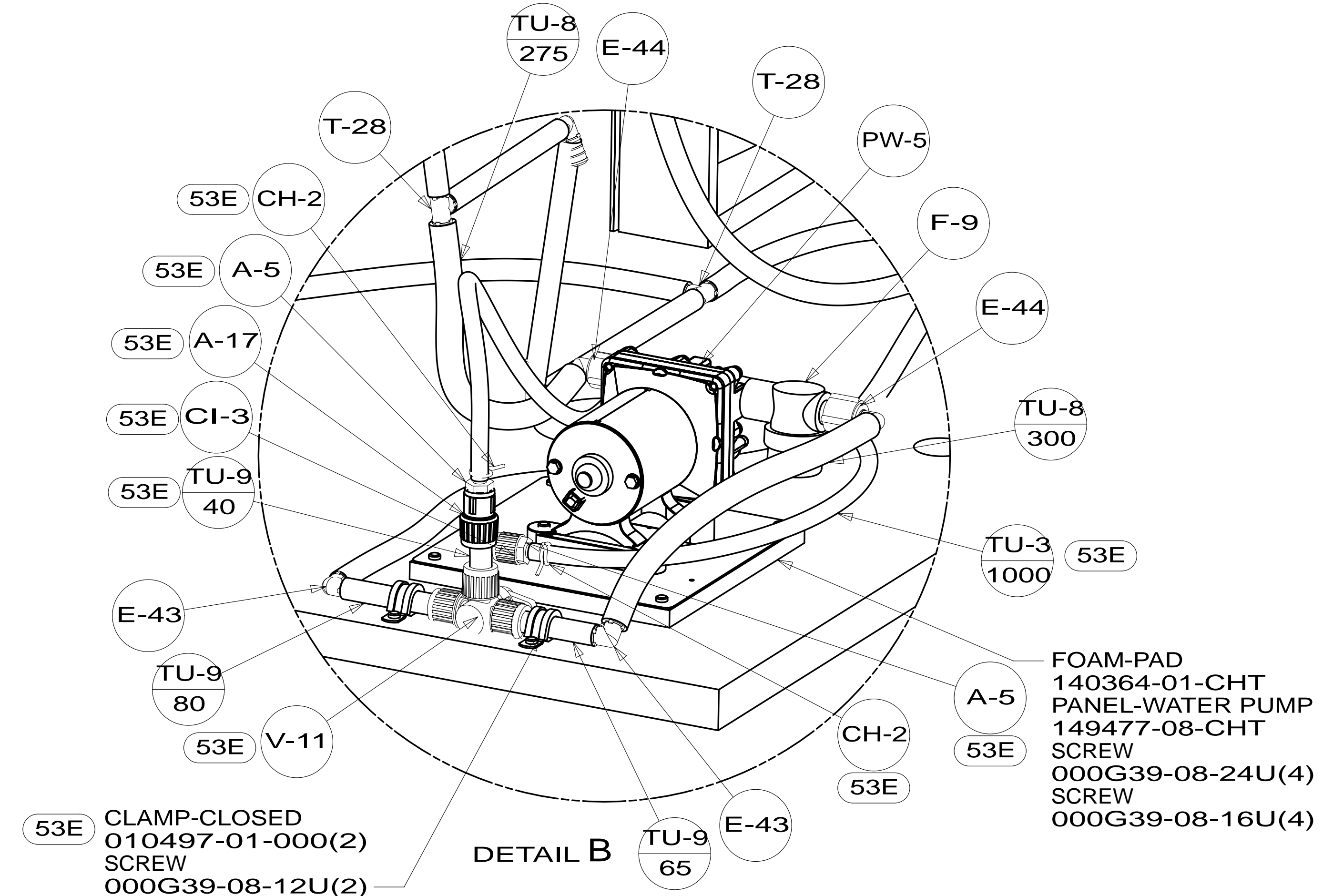
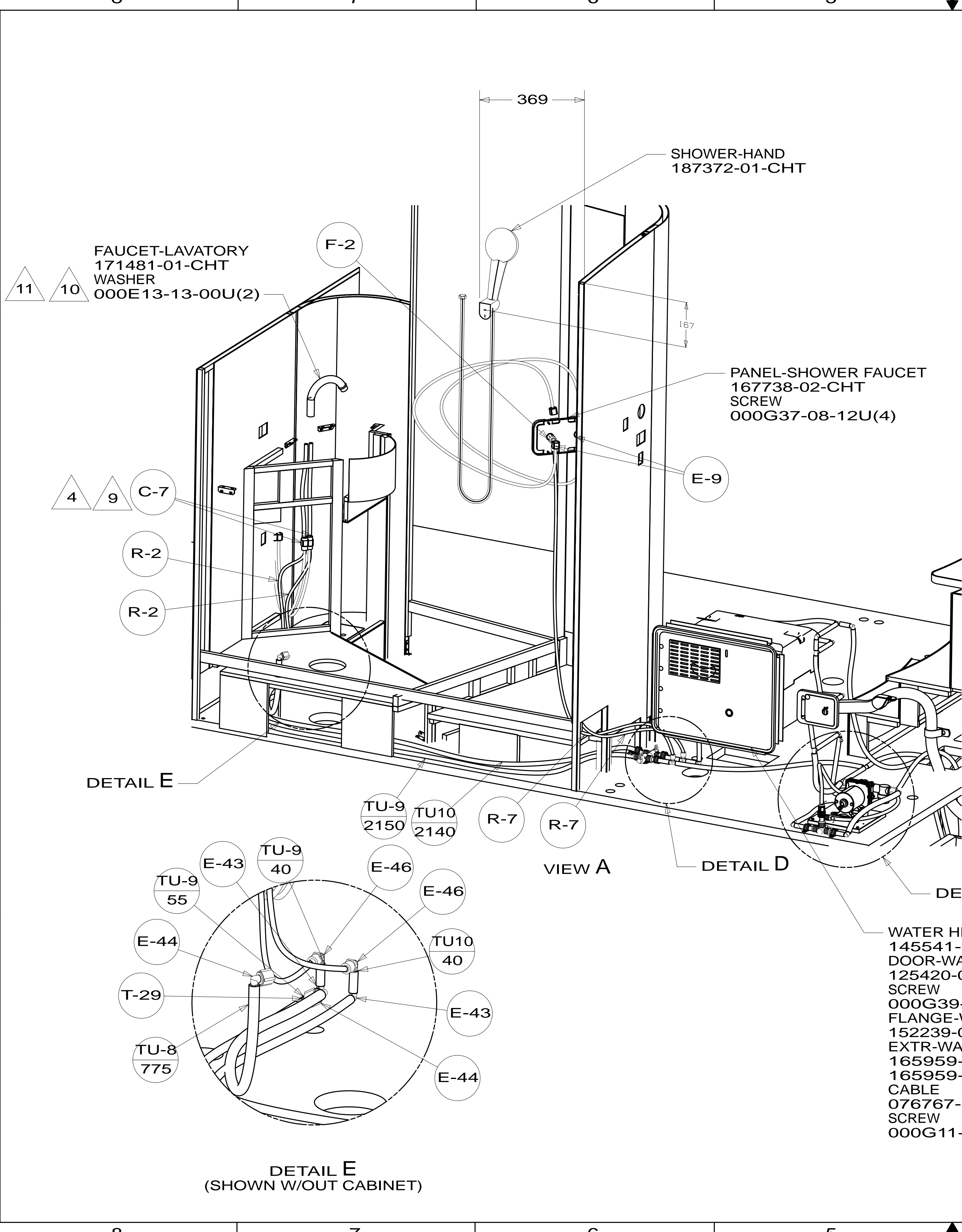
- 53E WATER SYS WINTERIZATION PKG
- 29B WATER PURIFIER
- 64R EXTERIOR WASH STATION

		COPYRIGHT 2014 WINNEBAGO INDUSTRIES, INC.
DFT-ORIG	ORIG. DATE	
CHKR	ALL DIMENSIONS ARE IN MILLIMETERS	
P.E.		
M.E.	FIRST USED	
DSNR	14 H25T	
UNSPECIFIED TOLERANCES ARE:		MATERIAL:
WHOLE DIM (X)	: 3	
ONE-PLACE (X.X)	: 1.5	
TWO-PLACE (X.XX)	: 0.50	
ANGLE	: 1°	
THIRD ANGLE PROJECTION		
DO NOT SCALE DRAWING		REFER TO ES0018 FOR FASTENER TIGHTENING GUIDELINES
TITLE: WATER SYSTEM INSTL		
SHEET 1 OF 4	PART NO 185503	REV
REF:	1	03-Apr-2014

FOR WATER CALLOUTS SEE DWG NO 116230-01-000

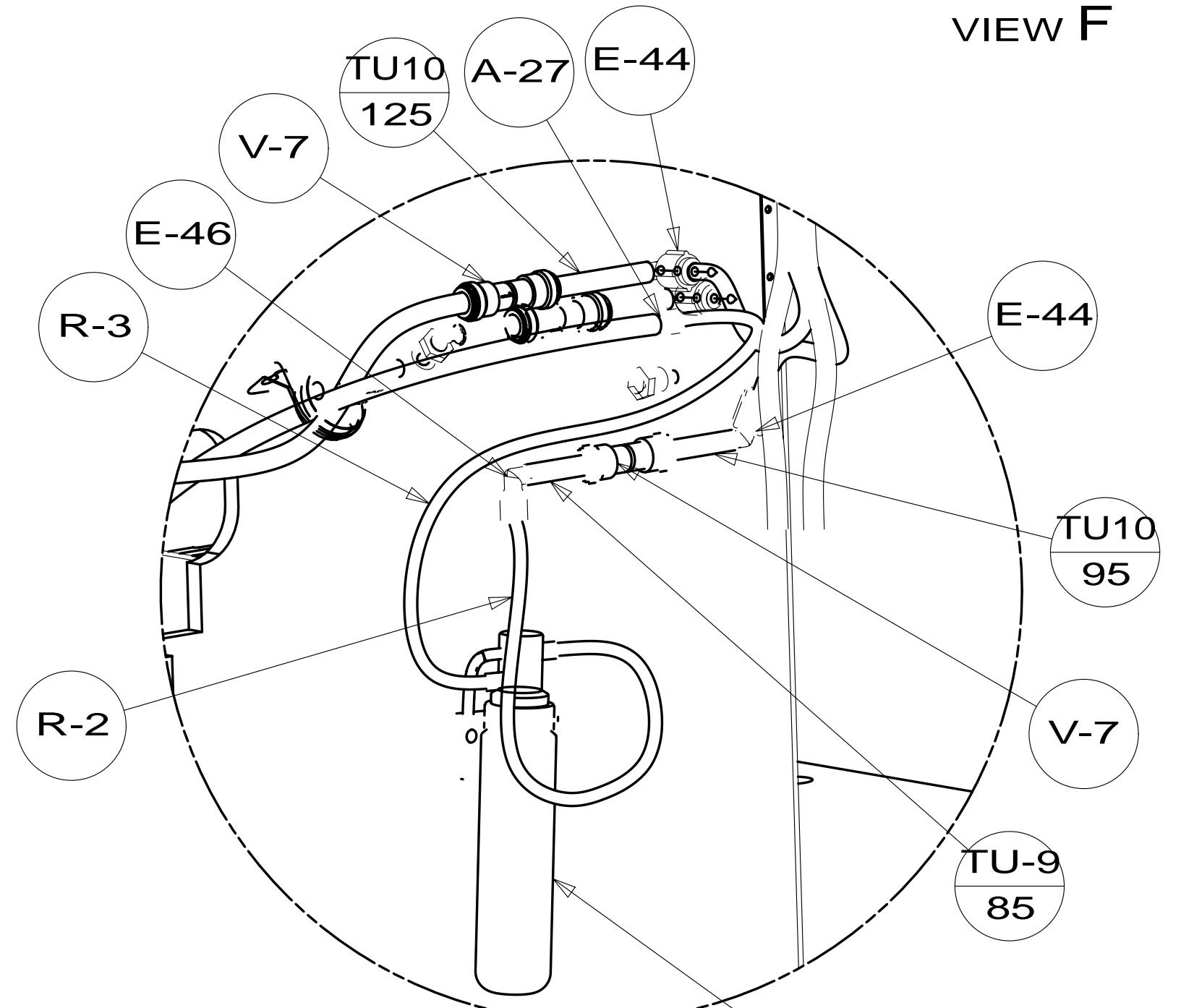
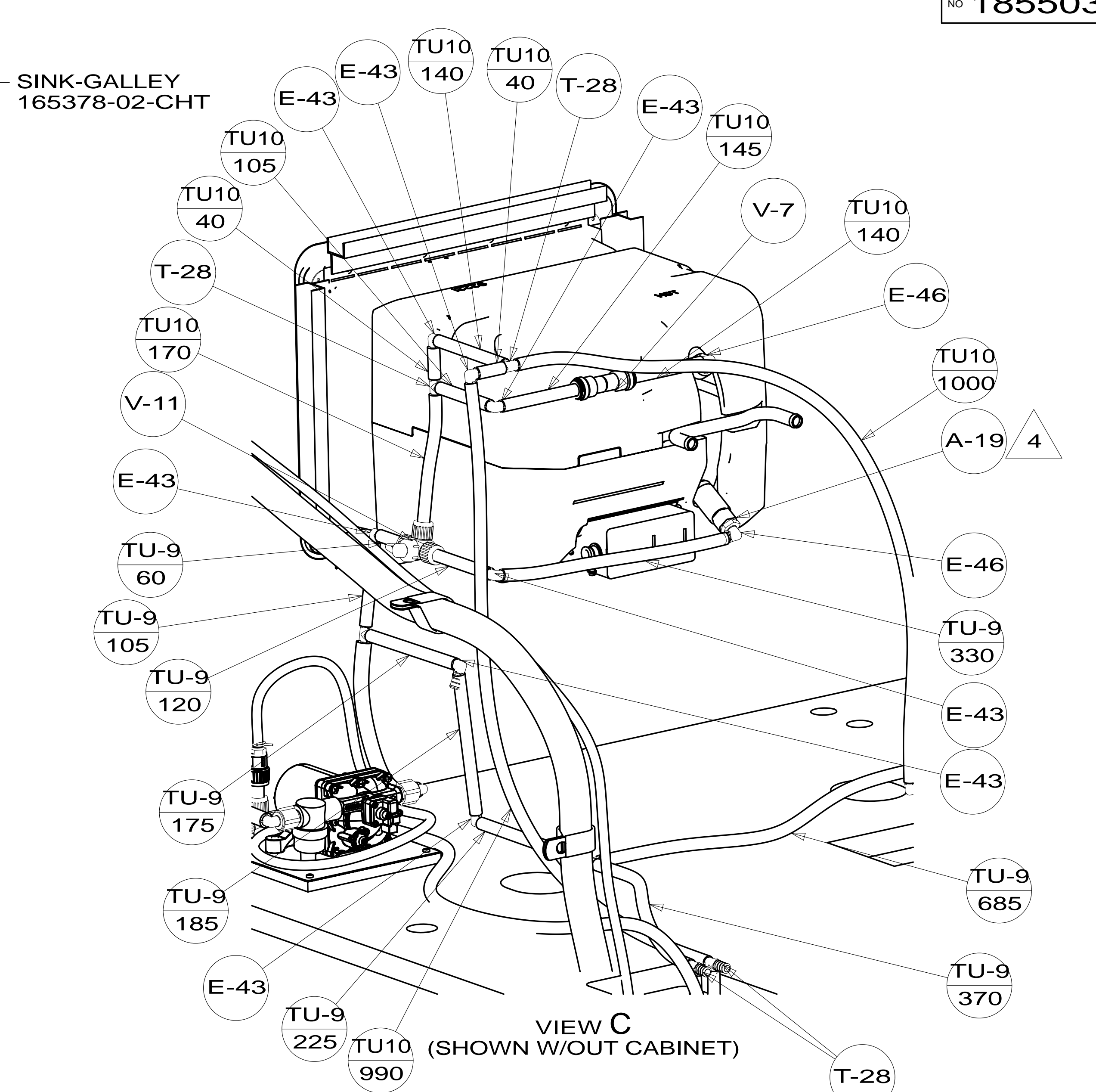
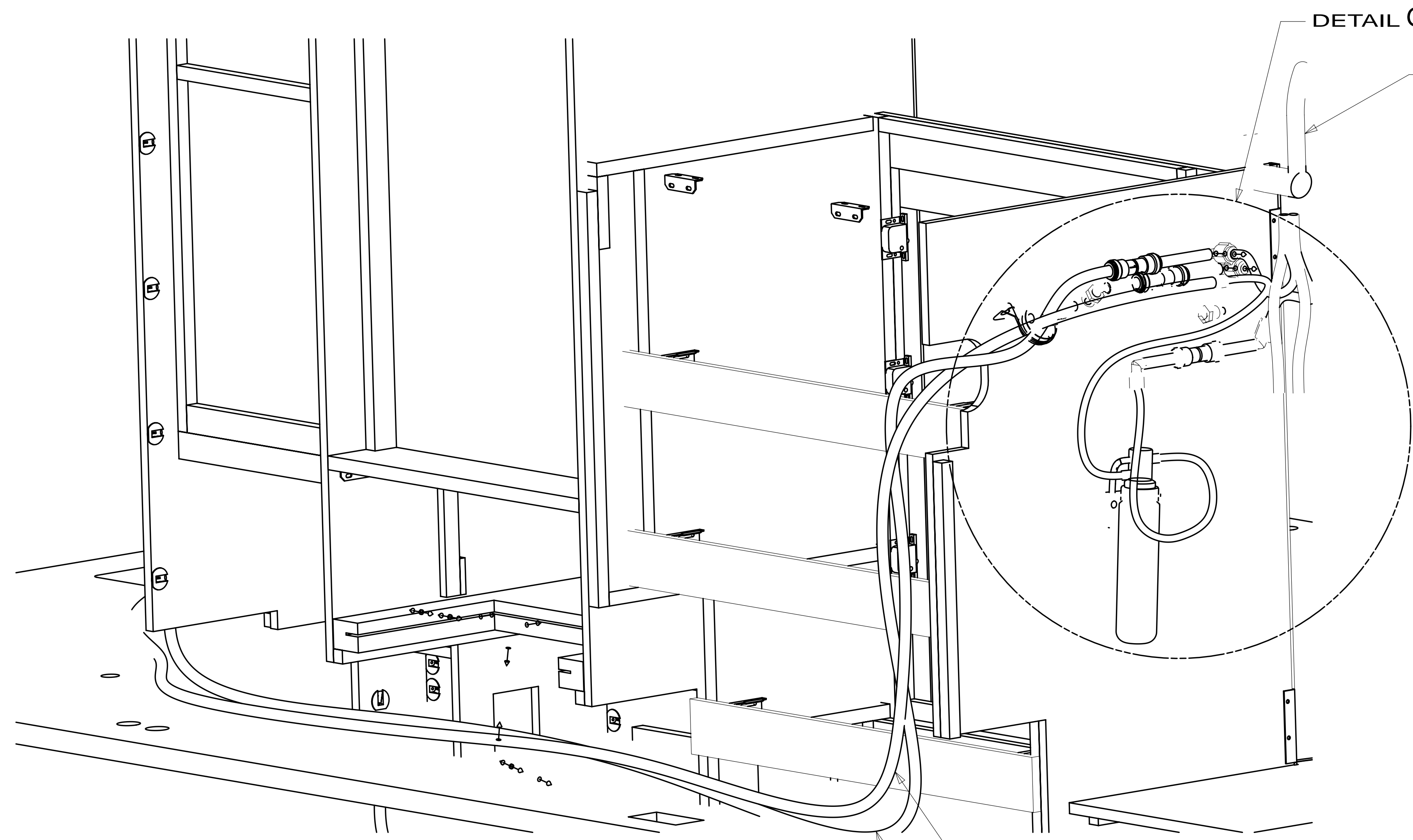
\* 185503 \* A





FIRST USED	14 H25T	
DO NOT SCALE DRAWING		
TITLE:	WATER SYSTEM INSTL	
SHEET 2	PART NO	185503
		REV
		03-Apr-2014

\* 185503 \* A



DETAIL G  
29B

FILTER KIT-WATER, SINK  
160946-03-000  
SCREW  
000G67-10-12U(2)

VIEW F

FIRST USED	14 H25T	
TITLE:	DO NOT SCALE DRAWING	
SHEET 3	PART NO	185503
	REV	1
		03-Apr-2014

\* 185503 \* A

