

- (23R) DRAINAGE SYSTEM/HEAT-PREWIRE
- (1JD) DRAINAGE SYSTEM-HEATED-W/O
- (23T) DRAINAGE SYSTEM-HEATED
- (464) TOILET
- (265) CODES/STANDARDS-CSA/CMVSS
- (1B1) CODES/STANDARDS USA

- 9 PREP THE SURFACE PER MANUFACTURERS INSTRUCTIONS, THEN APPLY ADHESIVE 067788-04-000 (0.10) ON PREPARED AREA BEFORE APPLYING THE HEADING PAD PER MANUFACTURERS INSTRUCTIONS.
- 8 FOLLOW SEWAGE MACERATOR PUMP WINTERIZATION PROCEDURE. EACH PUMP REQUIRES TWO GALLONS OF RV ANTIFREEZE 182955-01-000.
- 7 SECURE VENT PIPE TO FLOOR WITH CLAMP 062401-02-000 (2), SCREW 000G67-10-12U (2), BRACKET 136878-01-CHT (2).
- 6 VENT PIPE MUST PROJECT 51 MIN AND 64 MAX ABOVE ROOF FOR PROPER FIT AND FUNCTION. ADD S-1 (116666-01-CHT SEAL-VENT PIPE) AROUND PIPE ON ROOF BEFORE VENT CAP IS INSTALLED.
5. SEAL AROUND SHOWER WITH SILICONE.
4. SECURE DRAINAGE PIPES TO CABINET USING WIRE TIE 108046-02-000, AND SCREW 000G67-10-12U AT INTERVALS OF NOT MORE THAN 4 FEET APART.
3. ALL PIPE AND FITTINGS TO BE ASSEMBLED WITH SOLVENT 004020-01-000 (USA), 004020-02-000 (CAN)
2. SLOPE OF TRAP ARM MUST BE 6 PER 305 mm.
1. SLOPE OF HORIZONTAL PIPING TO BE MINIMUM OF 3 PER 305 mm.

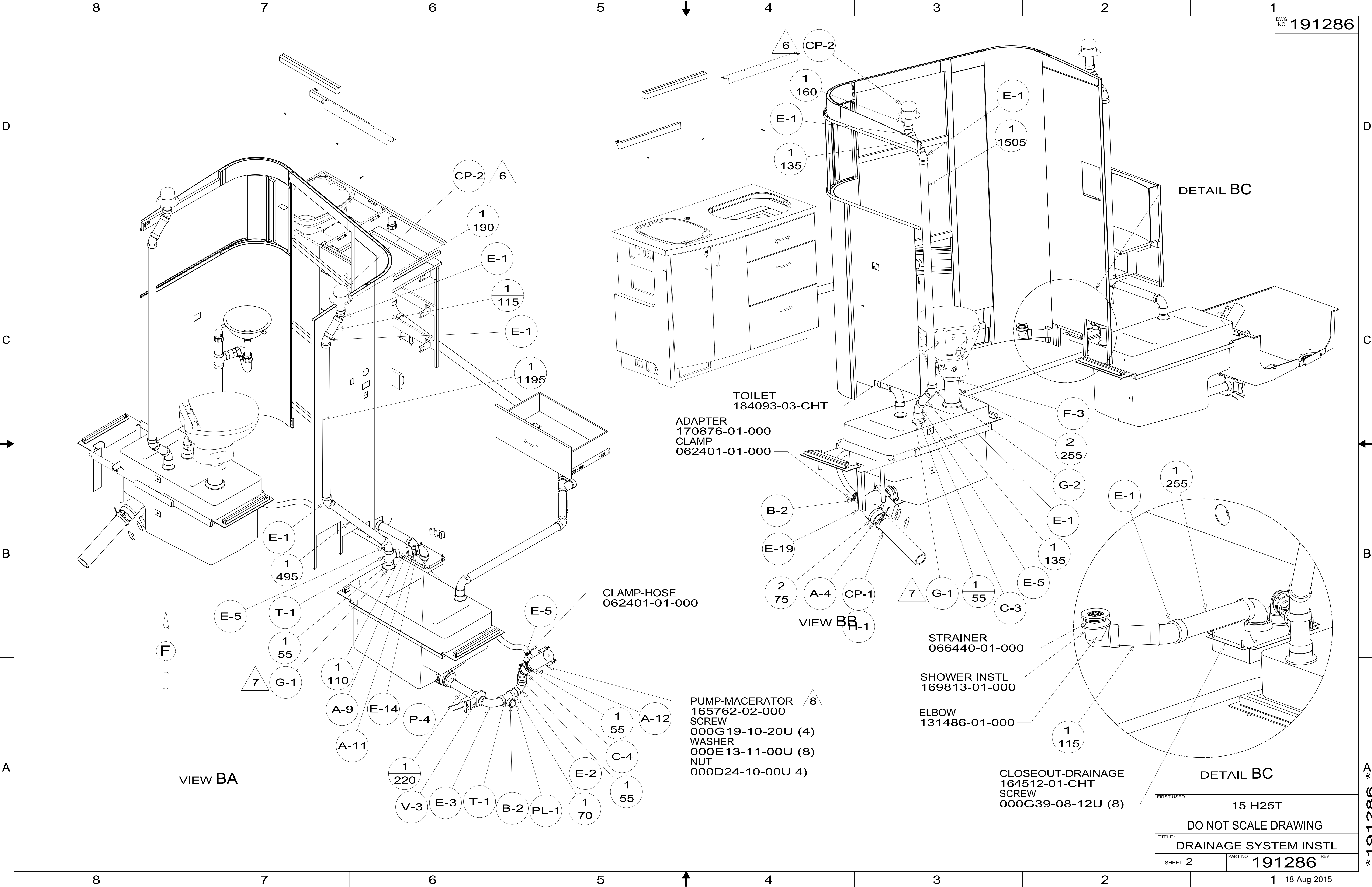
NOTES:

FOR DRAINAGE CALLOUTS SEE DWG NO 116229-01-000

WINNEBAGO INDUSTRIES, INC. COPYRIGHT 2014

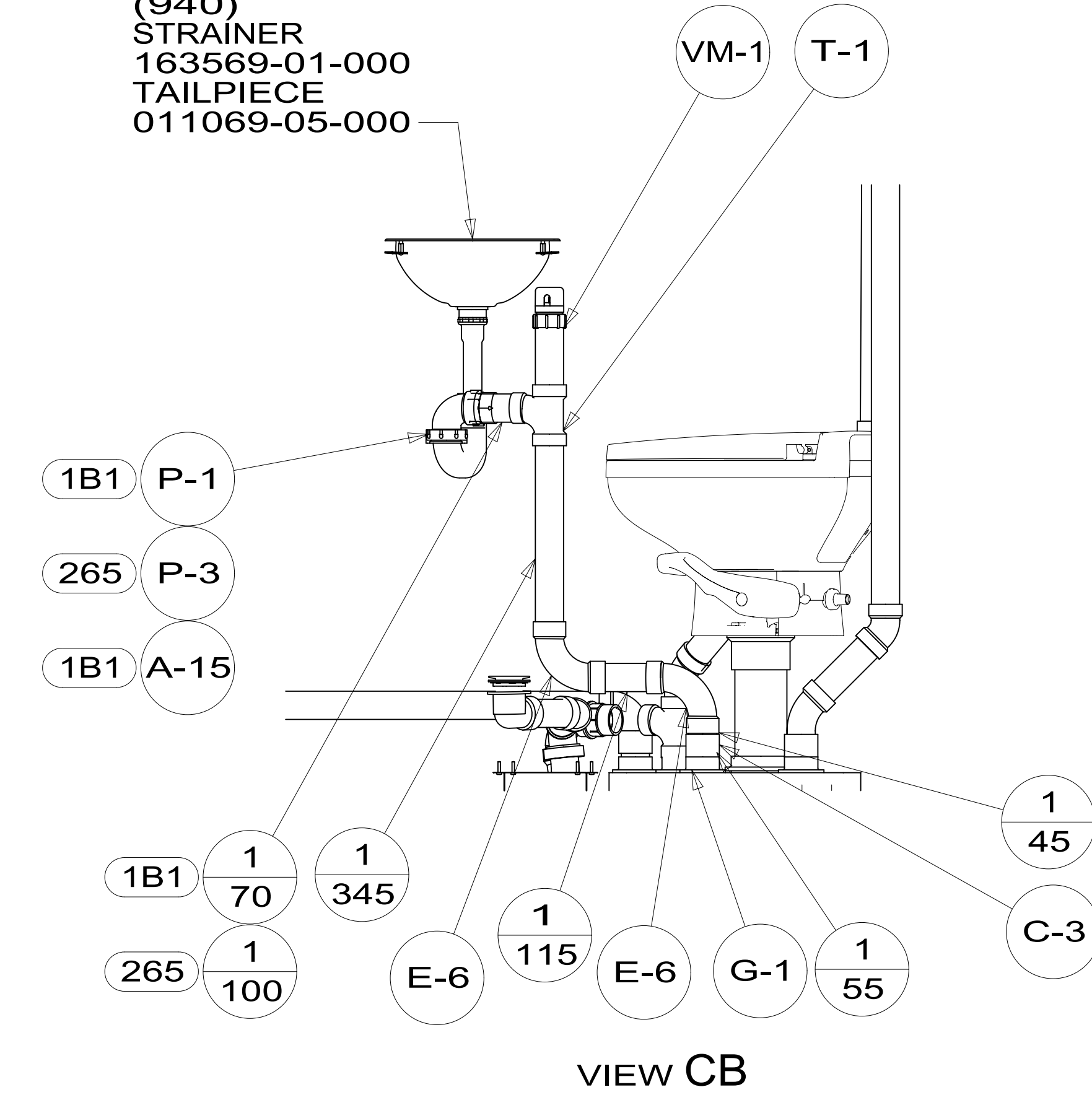
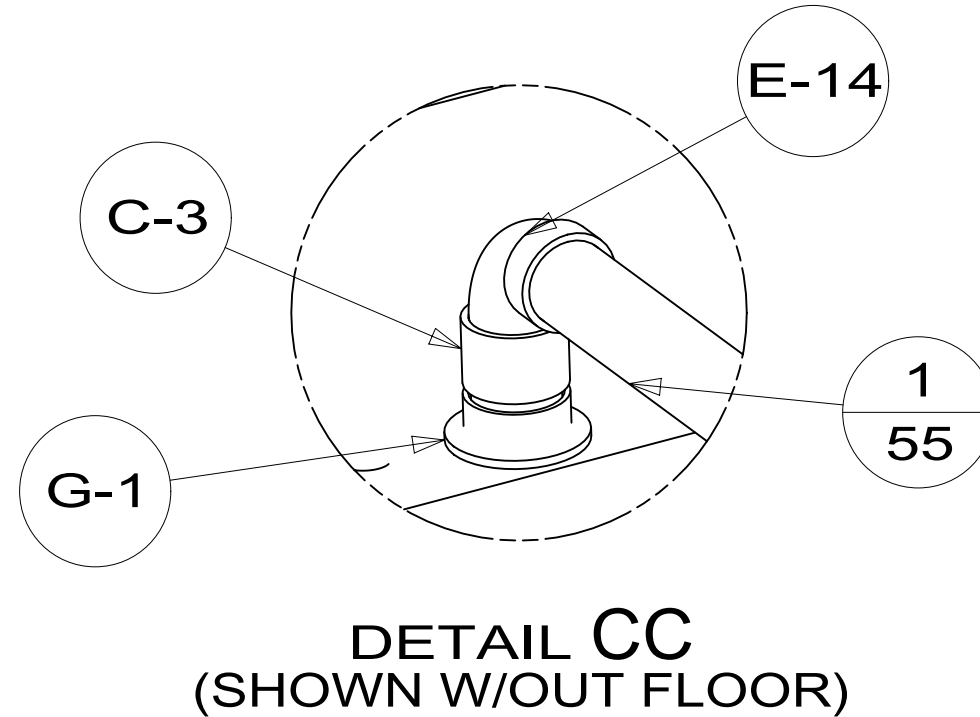
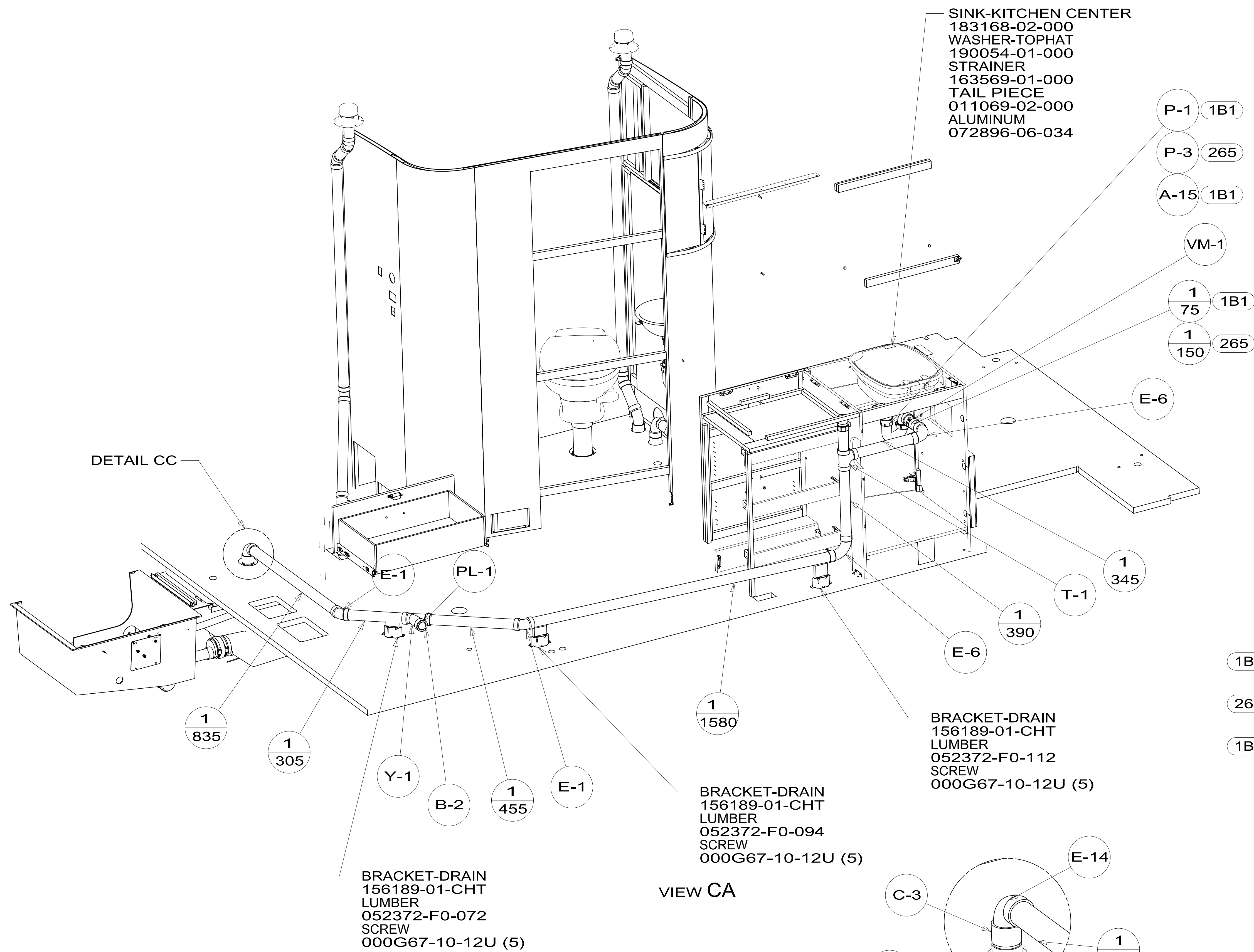
DFT-ORIG	ORIG. DATE
CHKR	ALL DIMENSIONS ARE IN MILLIMETERS
P.E.	
M.E.	FIRST USED
DSNR	15 H25T
UNSPECIFIED TOLERANCES ARE:	
WHOLE DIM (X)	: 3
ONE-PLACE (X.X)	: 1.5
TWO-PLACE (X.XX)	: 0.50
ANGLE	: 1°
THIRD ANGLE PROJECTION	
DO NOT SCALE DRAWING	REFER TO ES0018 FOR FASTENER TIGHTENING GUIDELINES
TITLE: DRAINAGE SYSTEM INSTL	
SHEET 1 OF 4	PART NO 191286 REV
REF:	1 18-Aug-2015

191286



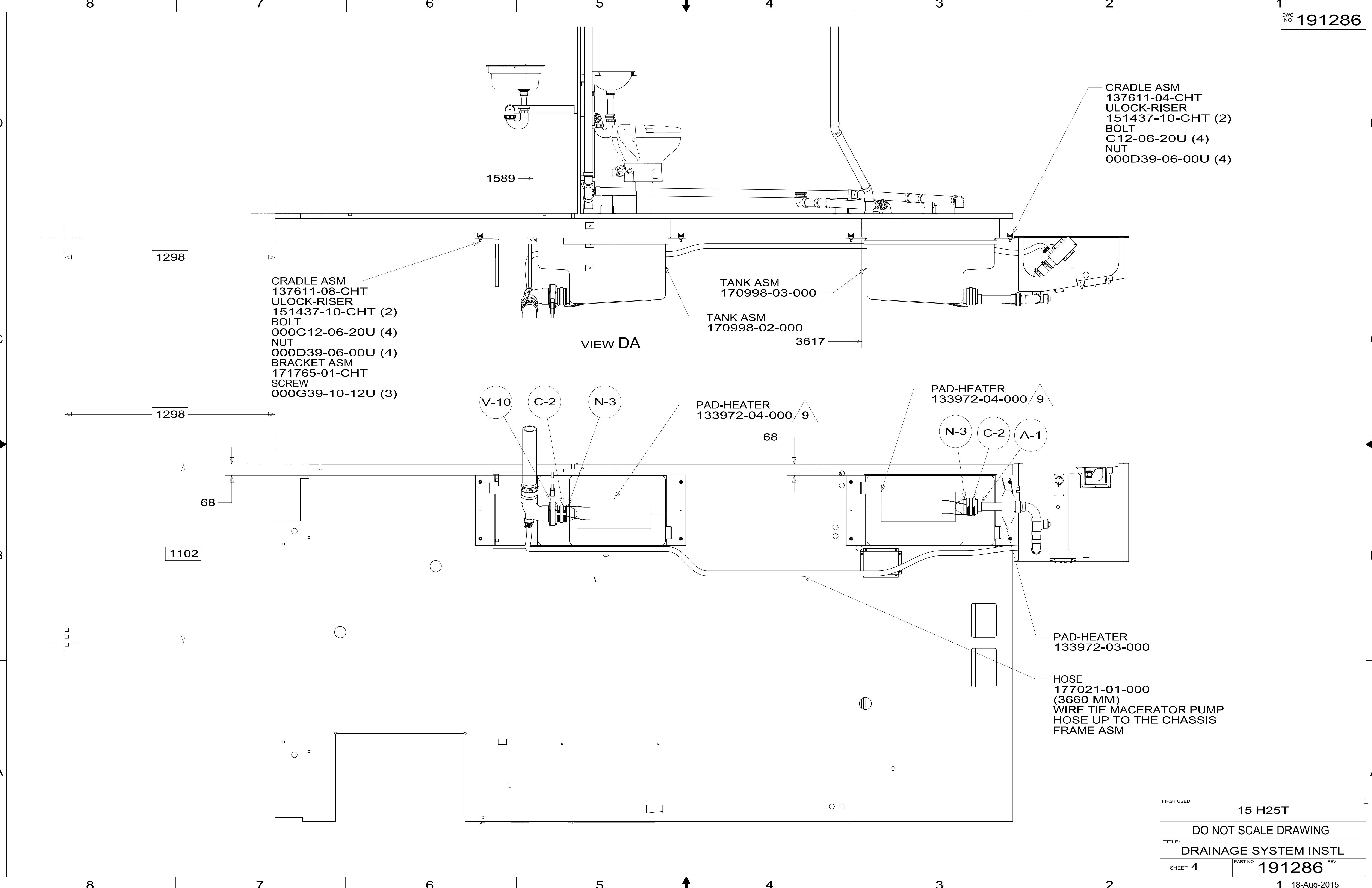
FIRST USED	15 H25T
TITLE:	DO NOT SCALE DRAWING
	DRAINAGE SYSTEM INSTL
SHEET 2	PART NO 191286 REV

191286



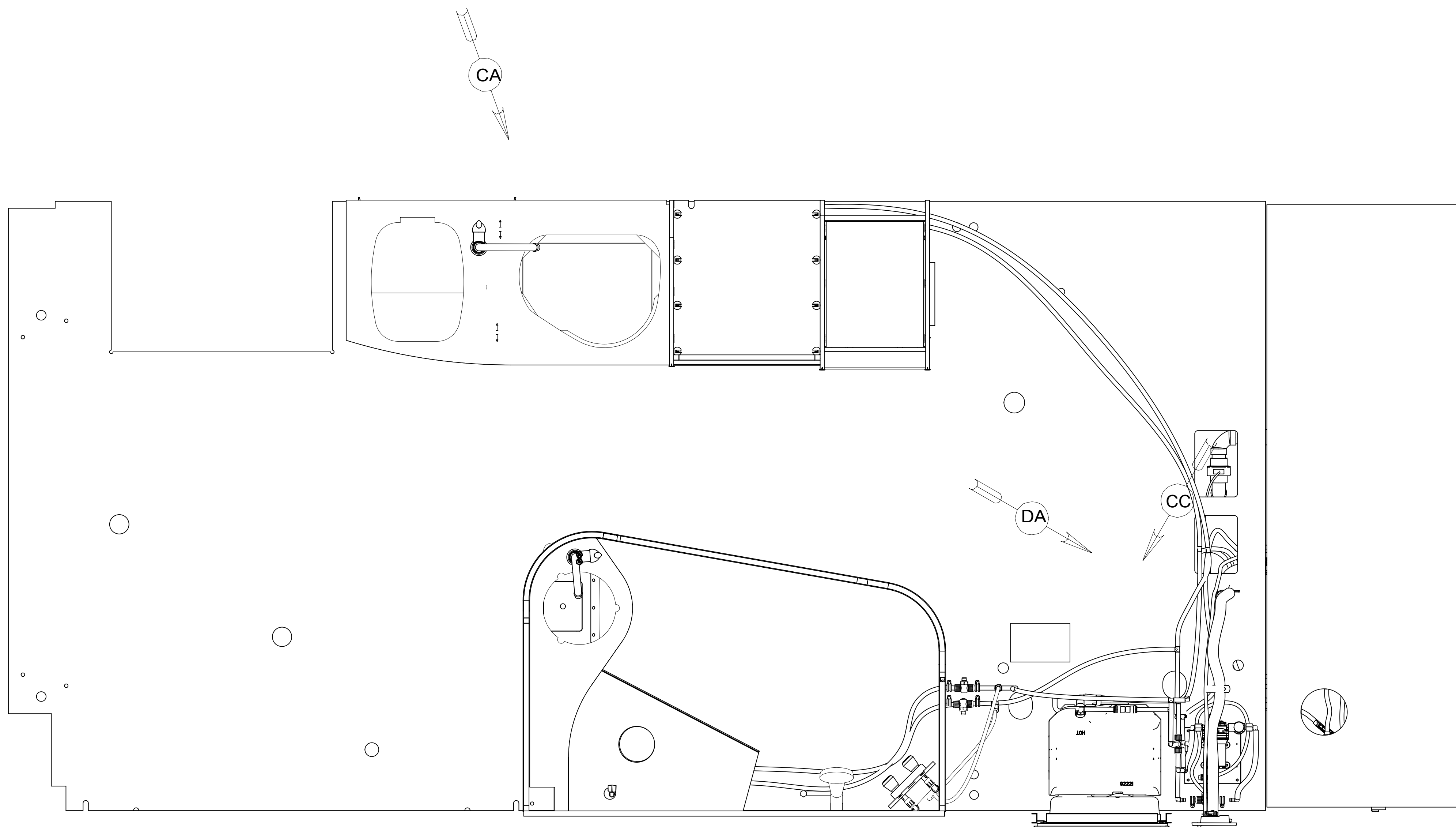
FIRST USED	15 H25T	
TITLE:	DO NOT SCALE DRAWING	
SHEET 3	PART NO	191286
	REV	1
		18-Aug-2015

191286



FIRST USED	15 H25T	
TITLE:	DO NOT SCALE DRAWING	
	DRAINAGE SYSTEM INSTL	
SHEET 4	PART NO 191286	REV
	1	18-Aug-2015

191286



- NOTES:
1. PLASTIC FITTINGS TO BE SEALED WITH SEALANT 084456-01-000.
 2. TUBING TO BE INSTALLED WITH SUFFICIENT SLOPE TO PROVIDE DRAINAGE TO NEAREST VALVE.
 3. ALL TUBING TO BE SECURED AT 1200 INTERVALS MAXIMUM WITH CLAMP 010495-01-000 AND SCREW 000G67-10-12U OR EQUIVALENT.
 4. ADD TEFLON TAPE 010405-02-000.
 5. ADD PIPE WRAP (LADDER SCRAP 110157-02-000) INSULATION.
 6. LABEL HOT AND COLD SUPPLY TUBES AND TAPE FITTING TO TUBE BEFORE CABINET SET TO PREVENT MOVEMENT.
 7. ALL CRIMP FITTINGS TO 5/8" PEX TUBING REQUIRE 5/8" CLAMP 140171-04-000.
 8. ALL CRIMP FITTINGS TO 1/2" PEX TUBING REQUIRE 1/2" CLAMP 140171-03-000.
 9. INSTALL CONNECTOR WITH TAPERED END AWAY FROM FAUCET.
 10. INSTALL BETWEEN MOUNTING PLATE AND RETAINING NUTS.

- 53E WATER SYS WINTERIZATION PKG
- 29B WATER PURIFIER
- 64R EXTERIOR WASH STATION

WINNEBAGO INDUSTRIES, INC. COPYRIGHT 2014

DFT-ORIG	ORIG. DATE
CHKR	ALL DIMENSIONS ARE IN MILLIMETERS
P.E.	
M.E.	FIRST USED
DSNR	15 H25T
UNSPECIFIED TOLERANCES ARE:	
WHOLE DIM (X)	: 3
ONE-PLACE (X.X)	: 1.5
TWO-PLACE (X.XX)	: 0.50
ANGLE	: 1°
THIRD ANGLE PROJECTION	
DO NOT SCALE DRAWING	REFER TO ES0018 FOR FASTENER TIGHTENING GUIDELINES
TITLE: WATER SYSTEM INSTL	
SHEET 1 OF 4	PART NO 191287 REV
REF:	1 22-Jul-2015

FOR WATER CALLOUTS SEE DWG NO 116230-01-000

*191287 *A

FAUCET-LAVATORY
171481-01-CHT
WASHER
10 000E13-13-00U(2)

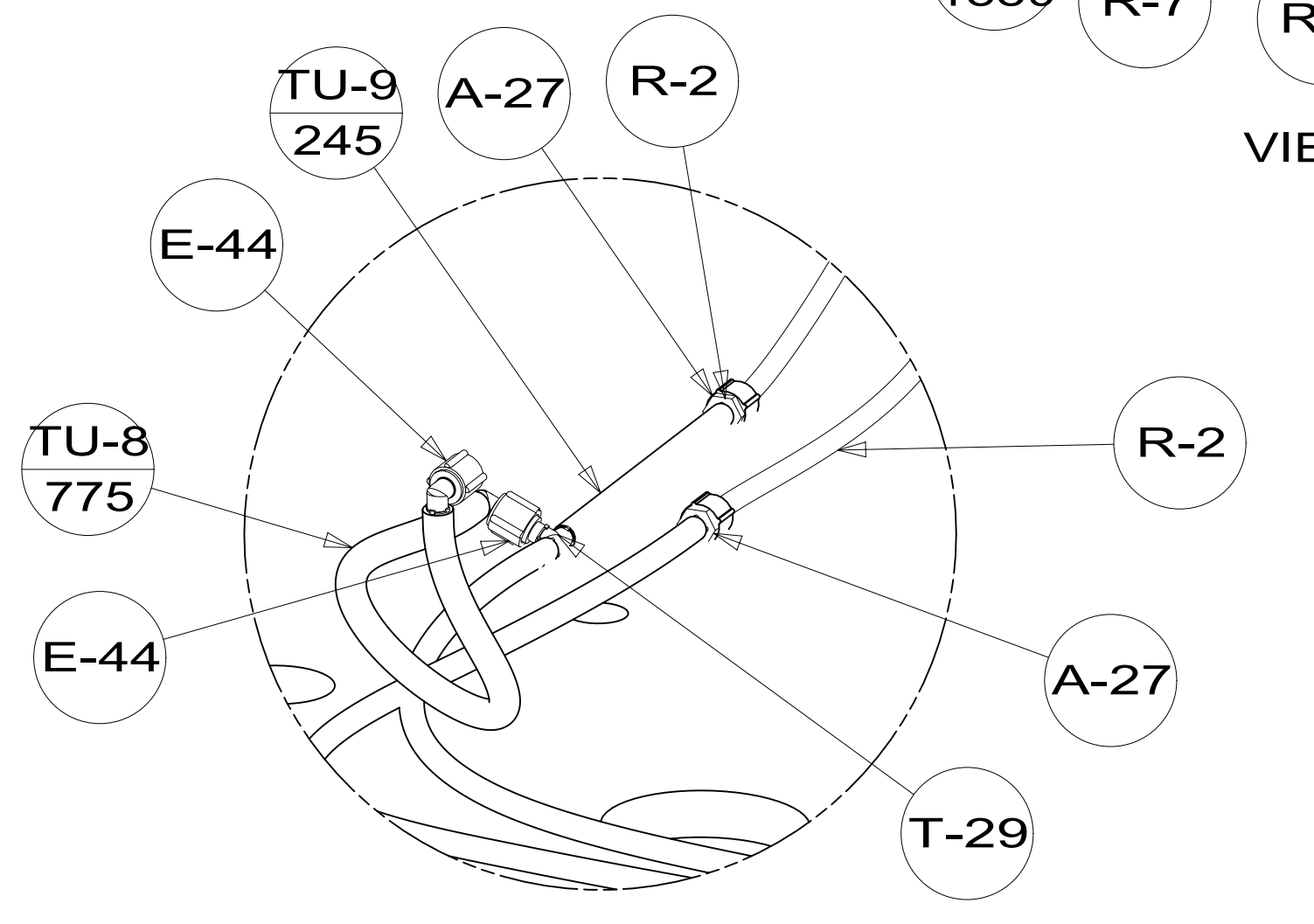
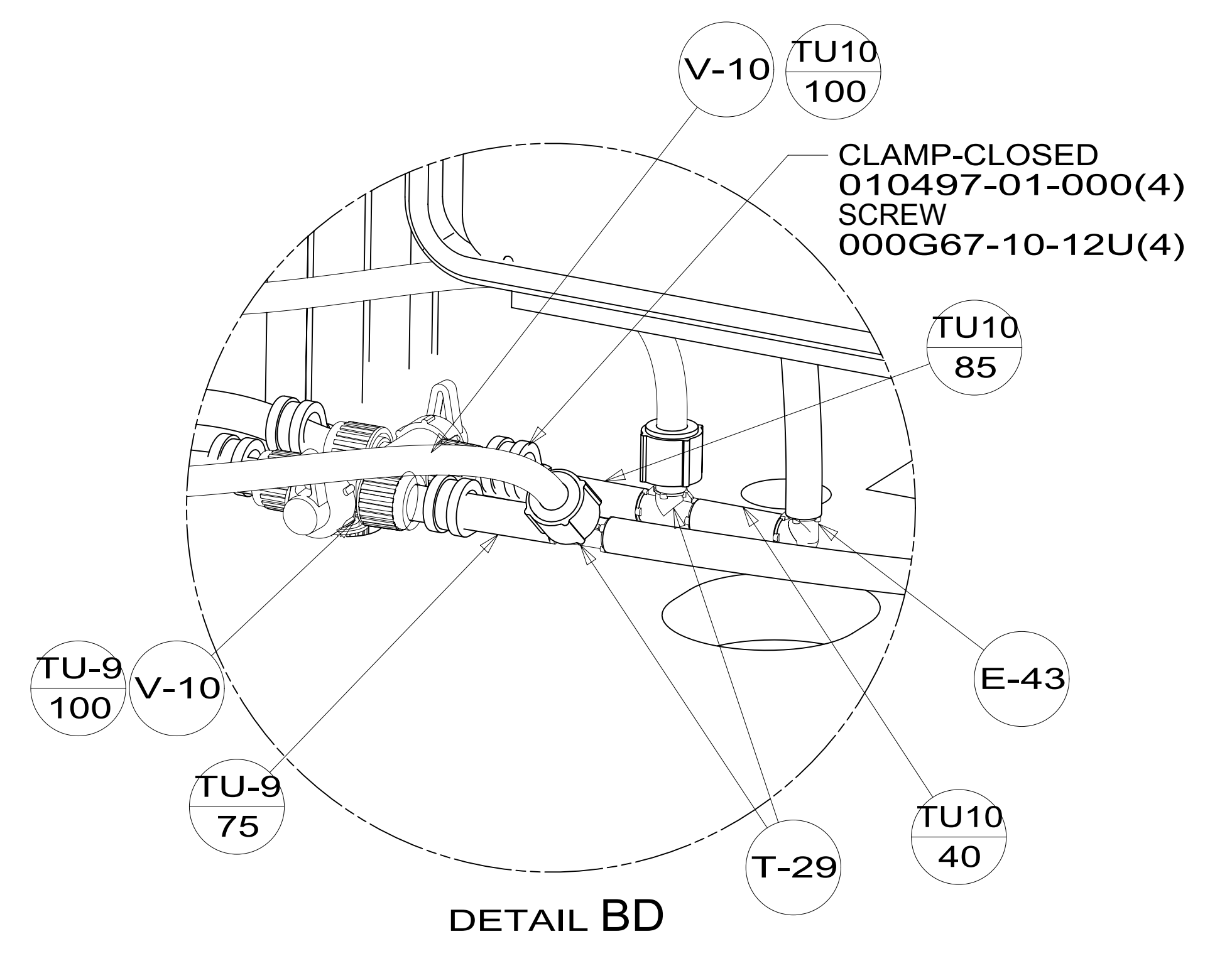
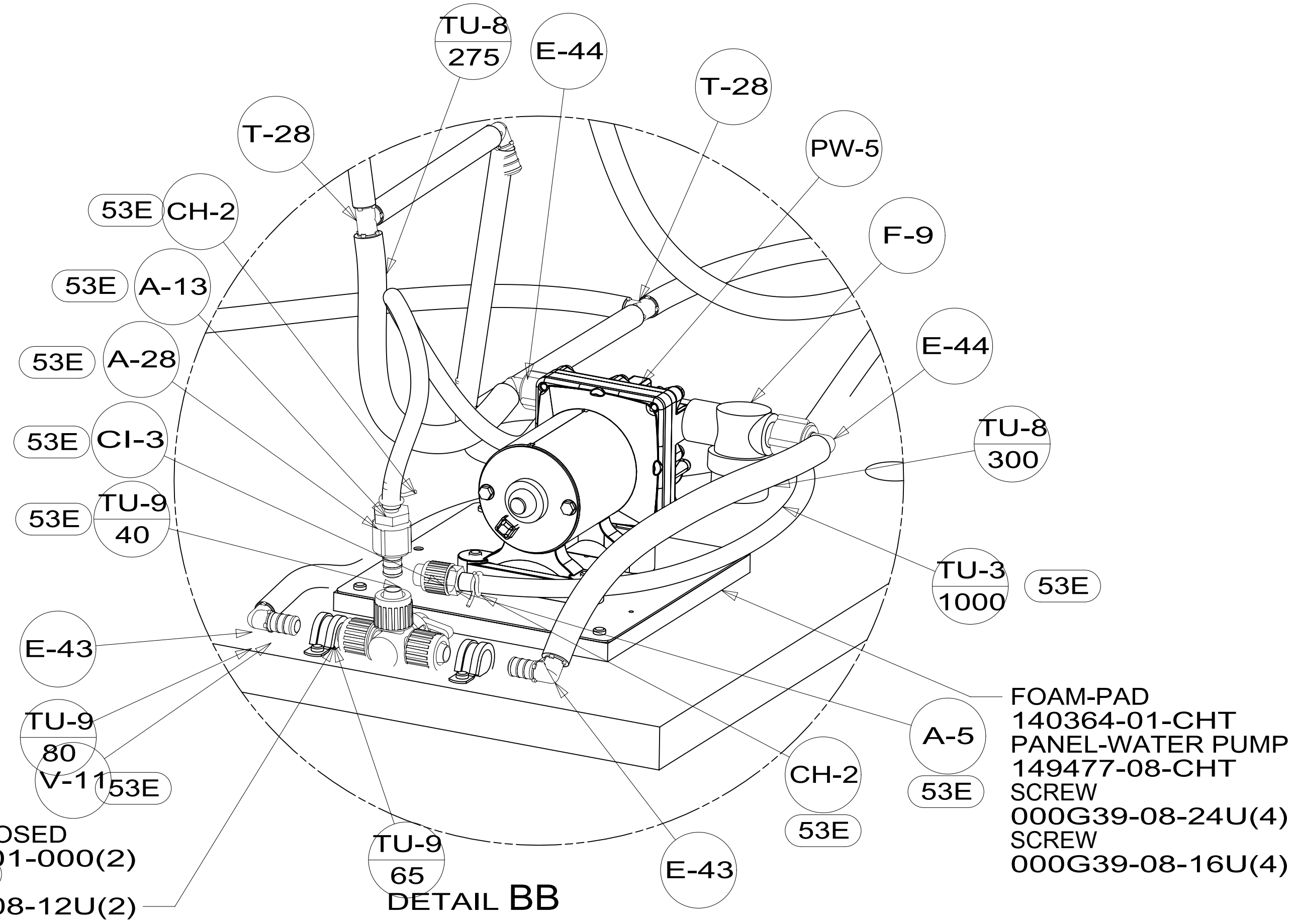
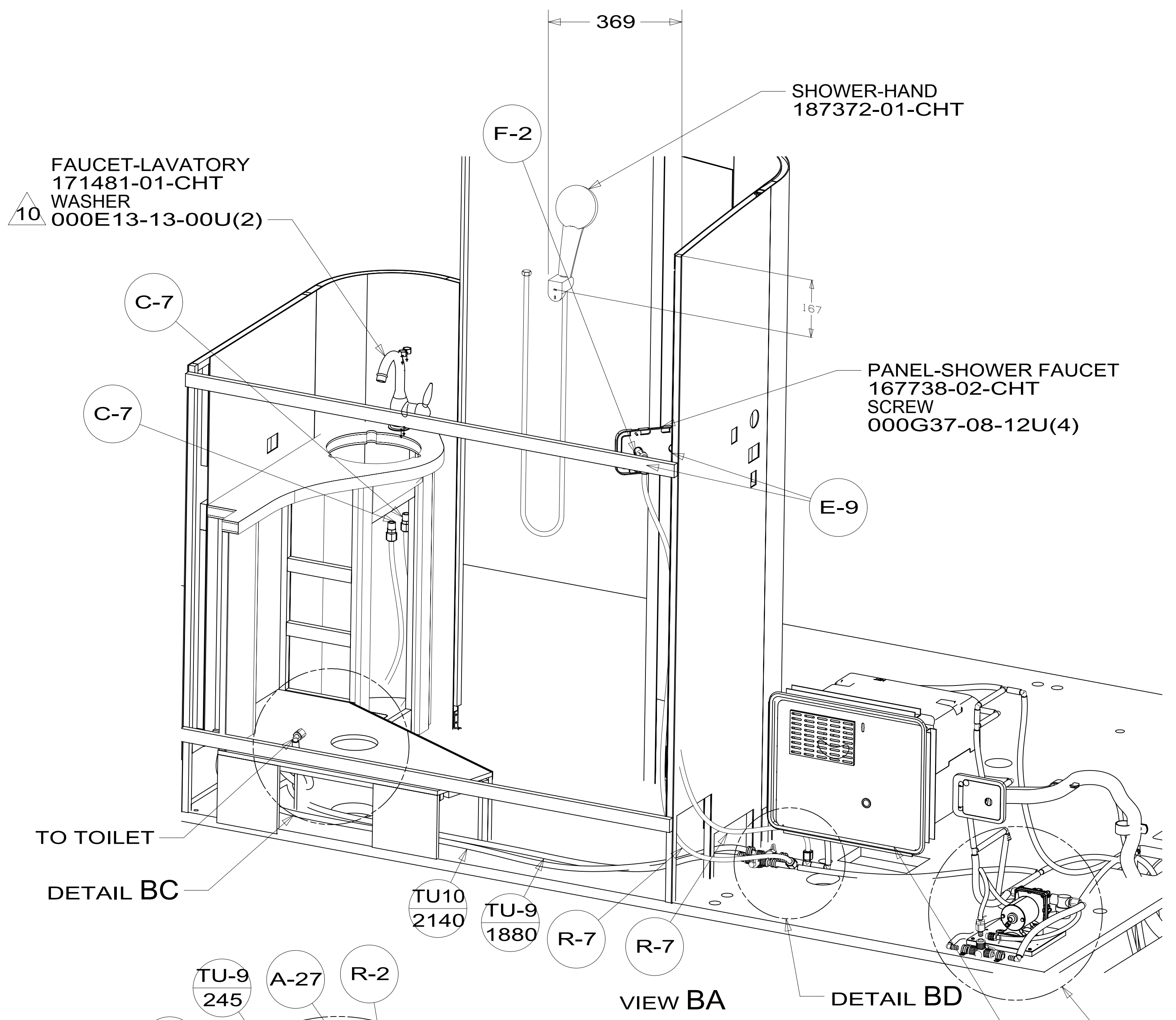
SHOWER-HAND
187372-01-CHT

PANEL-SHOWER FAUCET
167738-02-CHT
SCREW
000G37-08-12U(4)

WATER HEATER
145541-02-000
DOOR-WATER HEATER
125420-06-CHT
SCREW
000G39-10-169(16)
FLANGE-WATER HEATER
152239-01-CHT
EXTR-WATER HEATER
165959-51-002(2)
165959-51-004(2)
CABLE
076767-03-000
SCREW
000G11-06-08U(2)

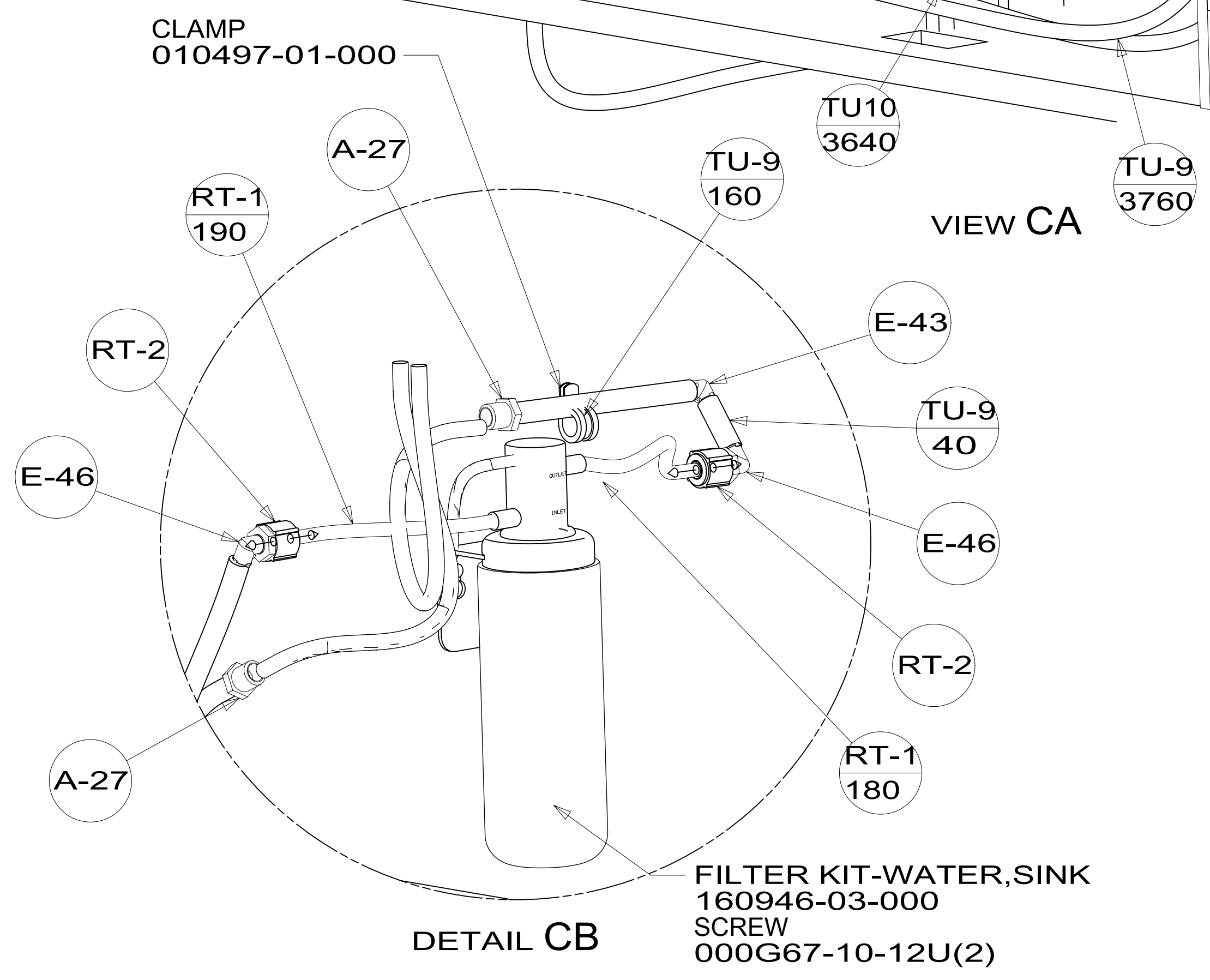
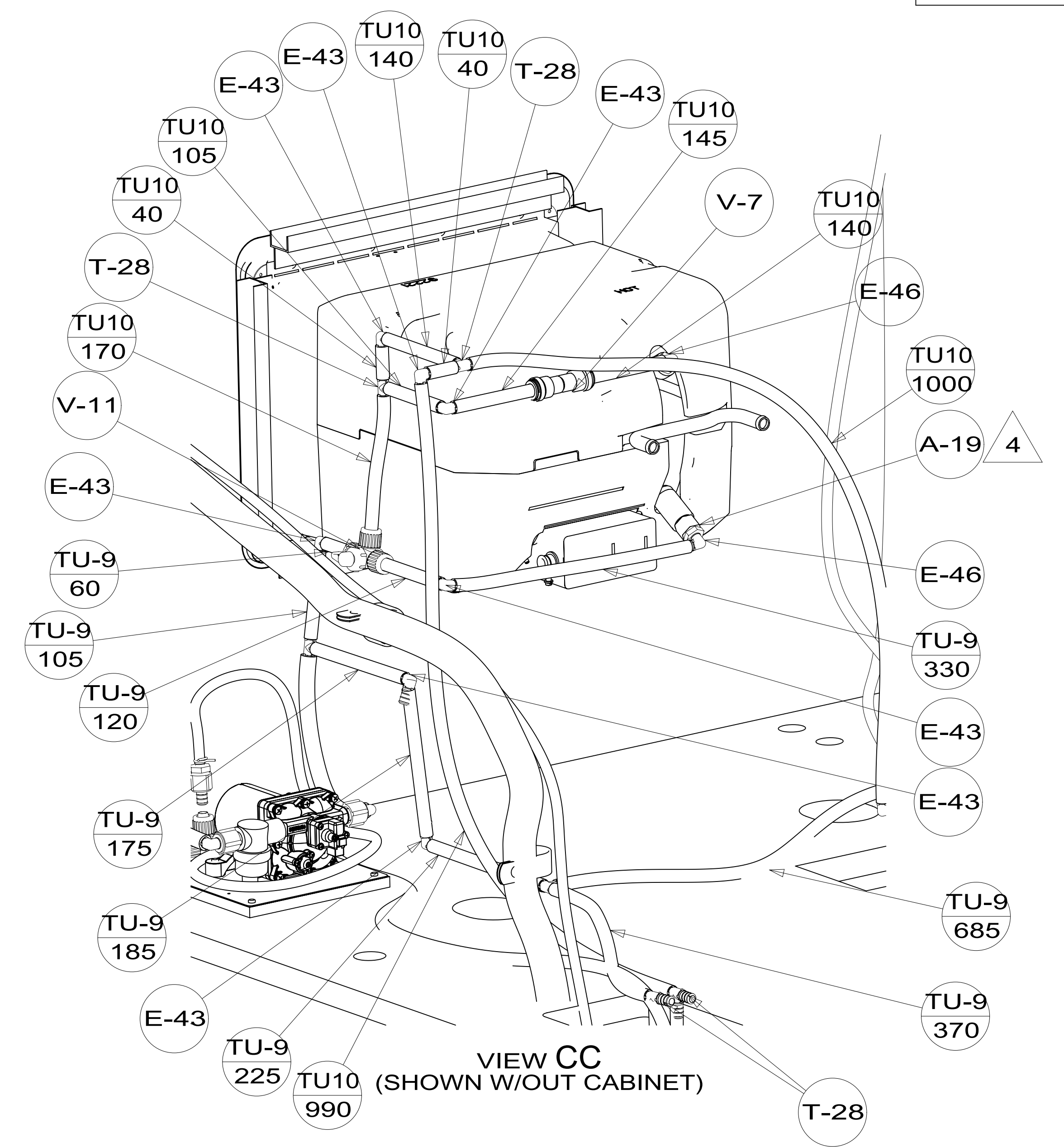
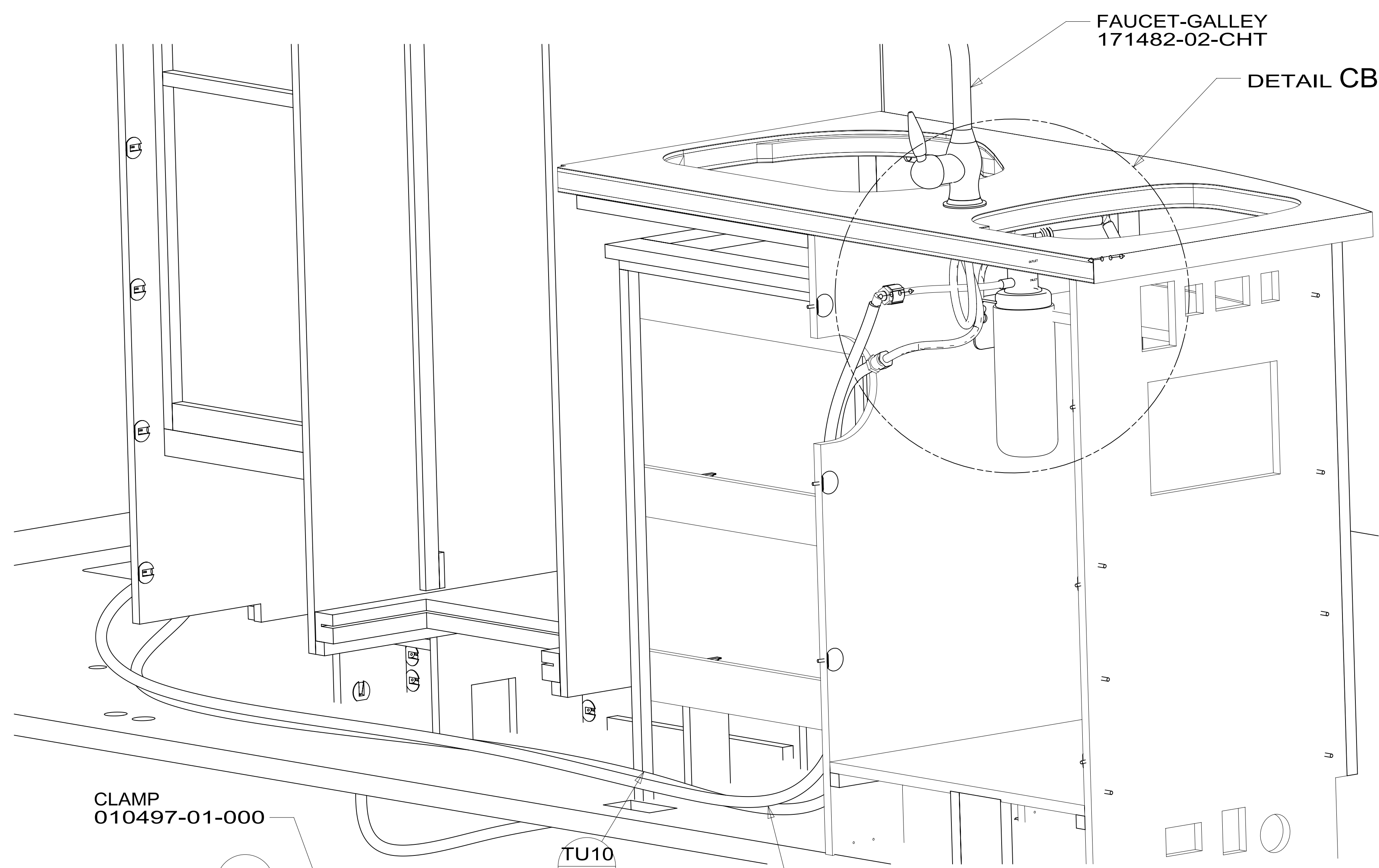
CLAMP-CLOSED
010497-01-000(2)
SCREW
000G39-08-12U(2)

FOAM-PAD
140364-01-CHT
PANEL-WATER PUMP
149477-08-CHT
SCREW
000G39-08-24U(4)
SCREW
000G39-08-16U(4)



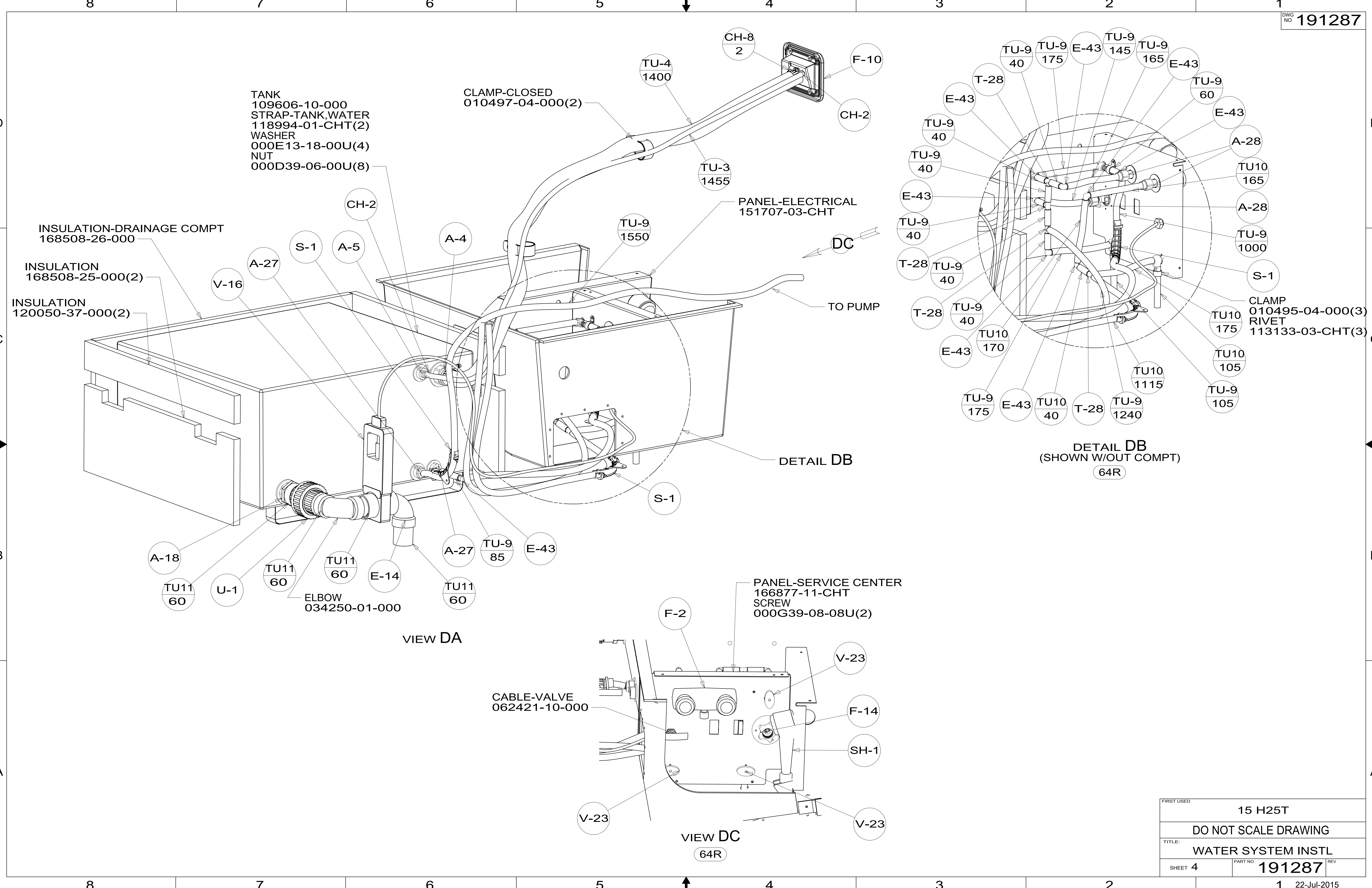
FIRST USED	15 H25T	
TITLE:	DO NOT SCALE DRAWING	
	WATER SYSTEM INSTL	
SHEET 2	PART NO 191287	REV
		22-Jul-2015

191287



FIRST USED	15 H25T	
DO NOT SCALE DRAWING		
TITLE:	WATER SYSTEM INSTL	
SHEET 3	PART NO 191287	REV
		1 22-Jul-2015

*191287 *A



TANK
109606-10-000
STRAP-TANK, WATER
118994-01-CHT(2)
WASHER
000E13-18-00U(4)
NUT
000D39-06-00U(8)

CLAMP-CLOSED
010497-04-000(2)

PANEL-ELECTRICAL
151707-03-CHT

DETAIL DB
(SHOWN W/OUT COMPT)
64R

PANEL-SERVICE CENTER
166877-11-CHT
SCREW
000G39-08-08U(2)

VIEW DA

VIEW DC
64R

FIRST USED	15 H25T		
TITLE:	DO NOT SCALE DRAWING		
	WATER SYSTEM INSTL		
SHEET 4	PART NO	191287	REV
			1 22-Jul-2015

191287