

10. PREP THE SURFACE PER MANUFACTURERS INSTRUCTIONS BEFORE APPLYING THE HEATING PAD.
9. WATERLESS P-TRAP MUST BE INSTALLED WITH THE RIBS POINTING DOWN
8. U-LOCKS TO BE INSTALLED BEFORE THE FRAME ASM IS BOLTED DOWN TO THE CHASSIS AND BEFORE THE SEAL PLANES ARE INSTALLED.
7. SECURE VENT PIPE TO FLOOR WITH CLAMP 062401-02-000 (2), SCREW 000G67-10-12U (2), BRACKET 136878-01-CHT (2).
6. VENT PIPE MUST PROJECT 51 MIN AND 64 MAX ABOVE ROOF FOR PROPER FIT AND FUNCTION. ADD S-1 (116666-01-CHT SEAL-VENT PIPE) AROUND PIPE ON ROOF BEFORE VENT CAP IS INSTALLED.
5. SEAL AROUND SHOWER WITH SILICONE.
4. SECURE DRAINAGE PIPES TO CABINET USING WIRE TIE 108046-02-000, AND SCREW 000G67-10-12U AT INTERVALS OF NOT MORE THAN 4 FEET APART.
3. ALL PIPE AND FITTINGS TO BE ASSEMBLED WITH SOLVENT 004020-01-000 (USA), 004020-02-000 (CAN)
2. SLOPE OF TRAP ARM MUST BE 6 PER 305 mm.
1. SLOPE OF HORIZONTAL PIPING TO BE MINIMUM OF 3 PER 305 mm.

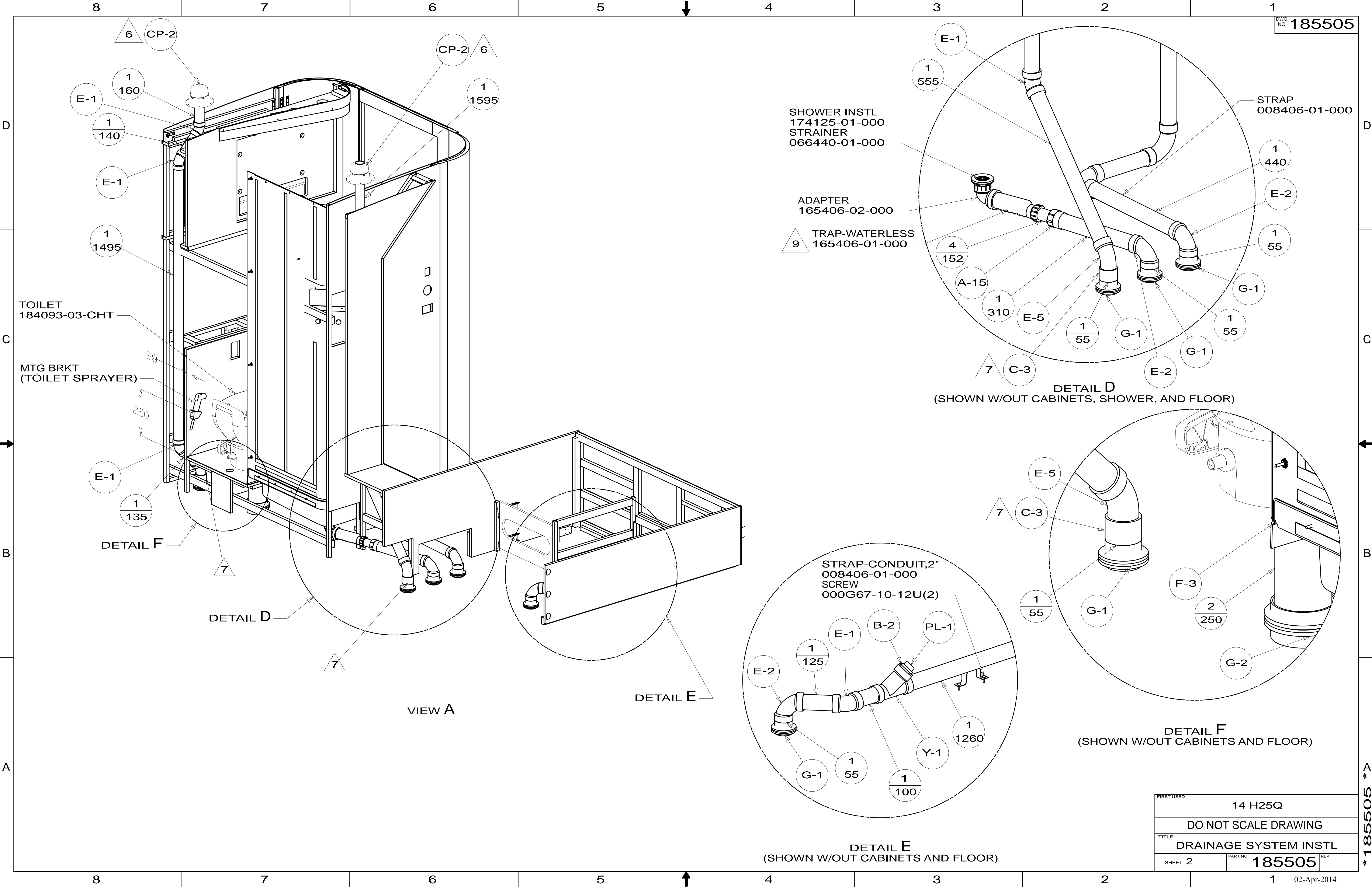
- 1JD DRAINAGE SYSTEM-HEATED-W/O
- 23T DRAINAGE SYSTEM-HEATED
- 464 TOILET
- 265 CODES/STANDARDS-CSA/CMVSS
- 1B1 CODES/STANDARDS USA

		COPYRIGHT 2014 WINNEBAGO INDUSTRIES, INC.	
DFT-ORIG	ORIG. DATE	ALL DIMENSIONS ARE IN MILLIMETERS	
CHKR			
P.E.			
M.E.	FIRST USED		
DSNR		14 H25Q	
UNSPECIFIED TOLERANCES ARE:		MATERIAL:	
WHOLE DIM (X)	: 3		
ONE-PLACE (X.X)	: 1.5		
TWO-PLACE (X.XX)	: 0.50		
ANGLE	: 1°		
THIRD ANGLE PROJECTION			
DO NOT SCALE DRAWING		REFER TO ES0018 FOR FASTENER TIGHTENING GUIDELINES	
TITLE: DRAINAGE SYSTEM INSTL			
SHEET 1 OF 4	PART NO	185505	REV
REF:	1	02-Apr-2014	

FOR DRAINAGE CALLOUTS SEE DWG NO 116229-01-000

NOTES:

\* 185505 \* A \*



SHOWER INSTL  
174125-01-000  
STRAINER  
066440-01-000

ADAPTER  
165406-02-000

TRAP-WATERLESS  
165406-01-000

STRAP  
008406-01-000

TOILET  
184093-03-CHT

MTG BRKT  
(TOILET SPRAYER)

DETAIL D  
(SHOWN W/OUT CABINETS, SHOWER, AND FLOOR)

DETAIL D  
(SHOWN W/OUT CABINETS, SHOWER, AND FLOOR)

DETAIL E  
(SHOWN W/OUT CABINETS AND FLOOR)

DETAIL E  
(SHOWN W/OUT CABINETS AND FLOOR)

DETAIL F  
(SHOWN W/OUT CABINETS AND FLOOR)

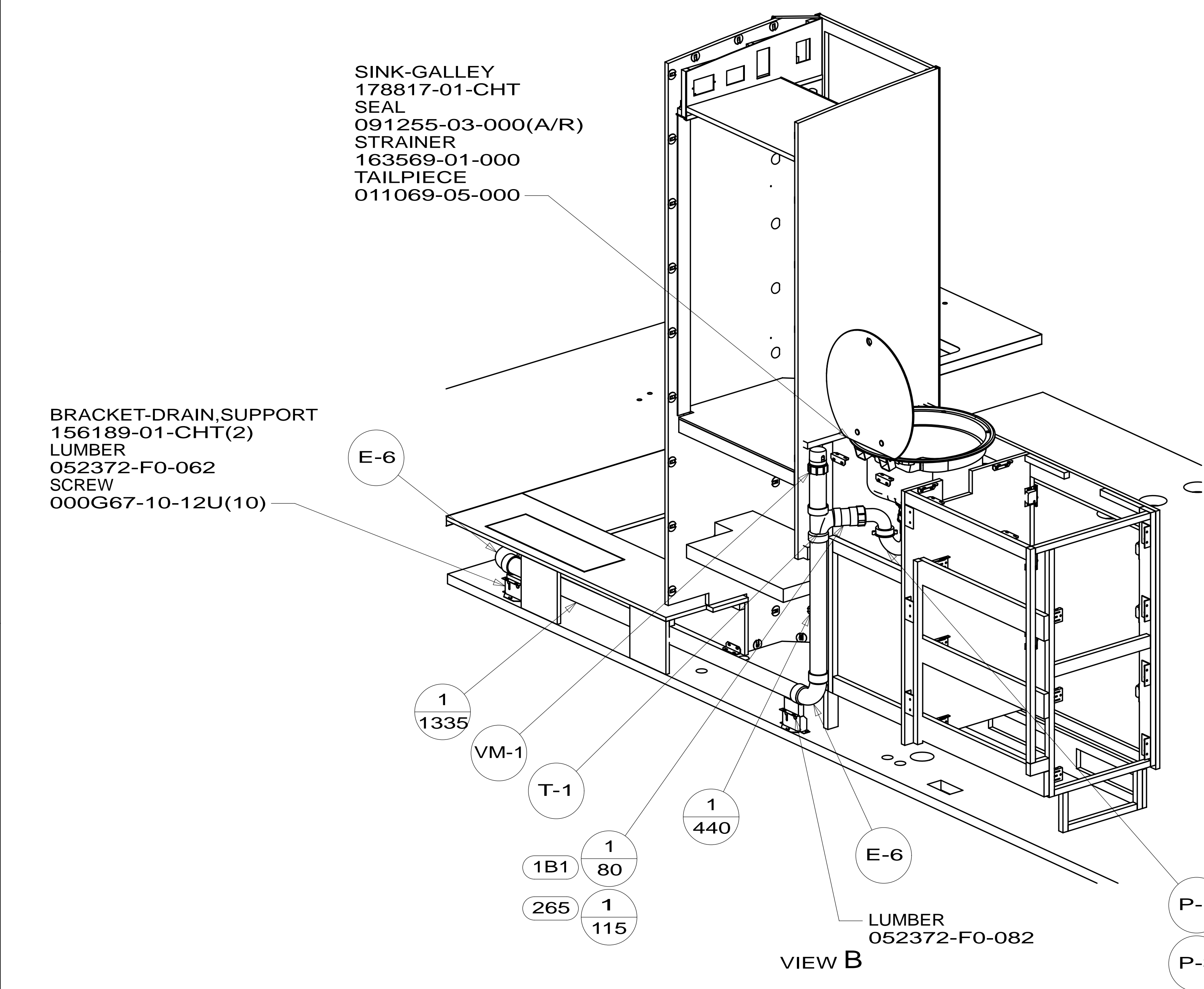
FIRST USED	14 H25Q	
TITLE:	DO NOT SCALE DRAWING	
TITLE:	DRAINAGE SYSTEM INSTL	
SHEET 2	PART NO	185505
	REV	
		02-Apr-2014

\* 185505 \* A

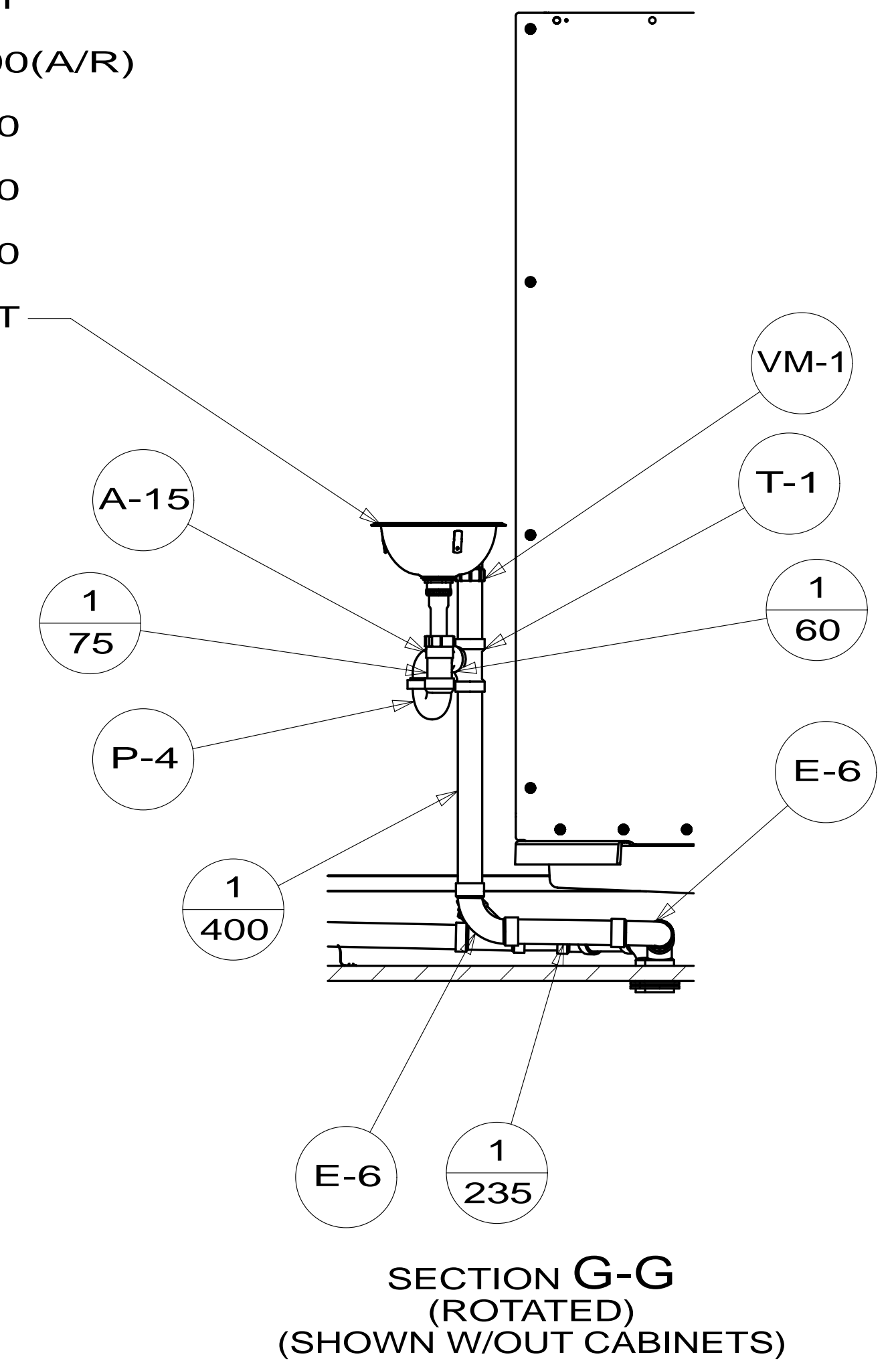
SINK-GALLEY  
 178817-01-CHT  
 SEAL  
 091255-03-000(A/R)  
 STRAINER  
 163569-01-000  
 TAILPIECE  
 011069-05-000

BRACKET-DRAIN,SUPPORT  
 156189-01-CHT(2)  
 LUMBER  
 052372-F0-062  
 SCREW  
 000G67-10-12U(10)

SINK-LAVATORY  
 174018-01-CHT  
 SEAL  
 091255-02-000(A/R)  
 STRAINER  
 163569-01-000  
 TAILPIECE  
 011069-05-000  
 NUT  
 130403-01-000  
 WASHER  
 127440-02-CHT



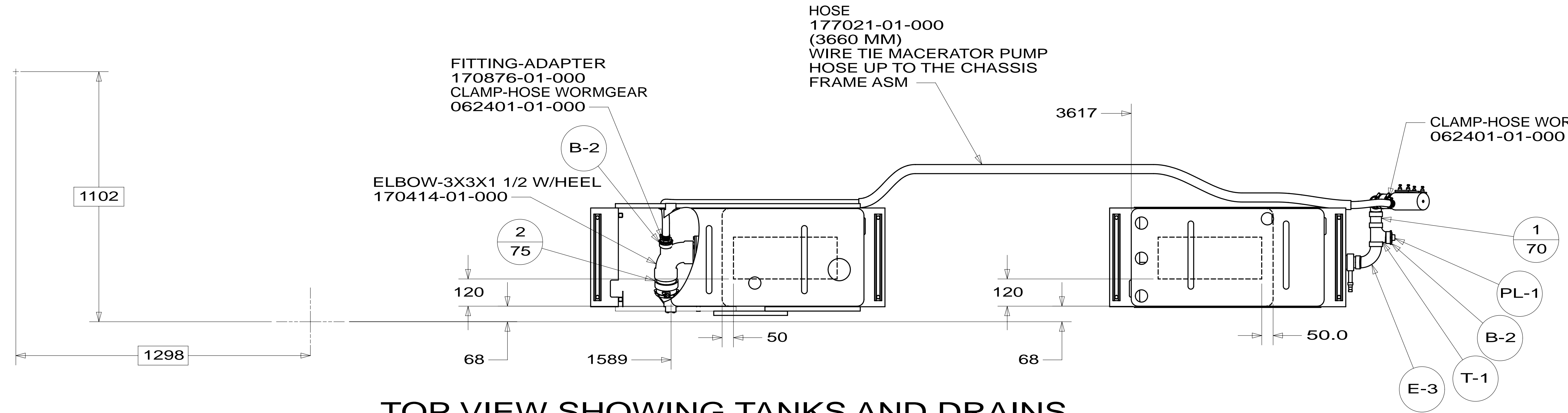
VIEW B



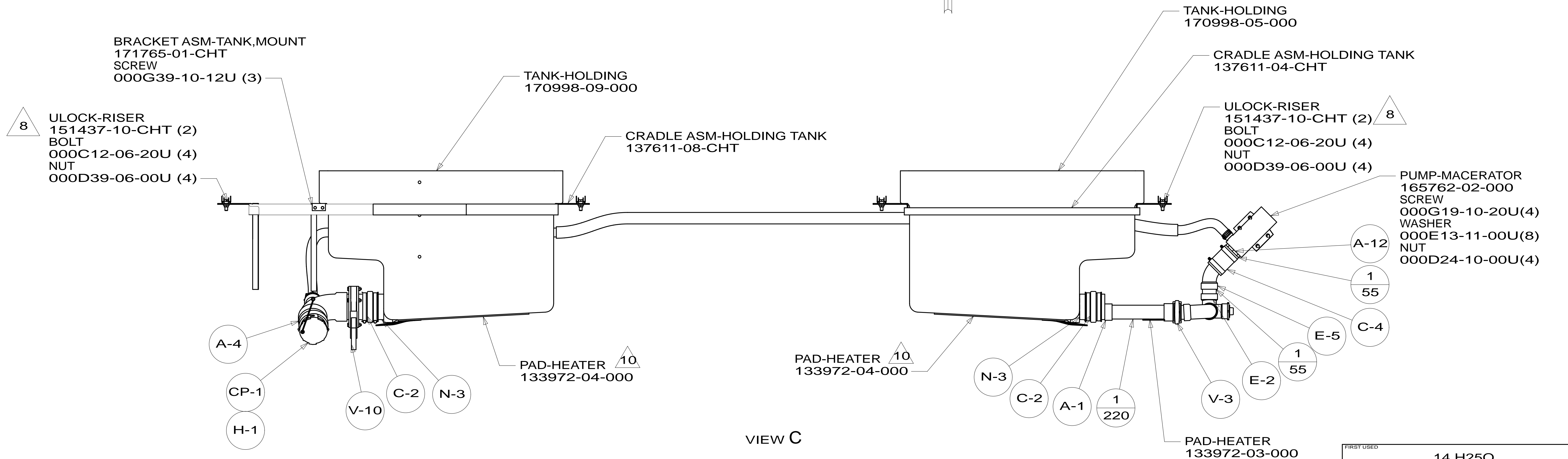
SECTION G-G  
 (ROTATED)  
 (SHOWN W/OUT CABINETS)

FIRST USED	14 H25Q	
DO NOT SCALE DRAWING		
TITLE: DRAINAGE SYSTEM INSTL		
SHEET 3	PART NO 185505	REV
		1 02-Apr-2014

\* 185505 \* A



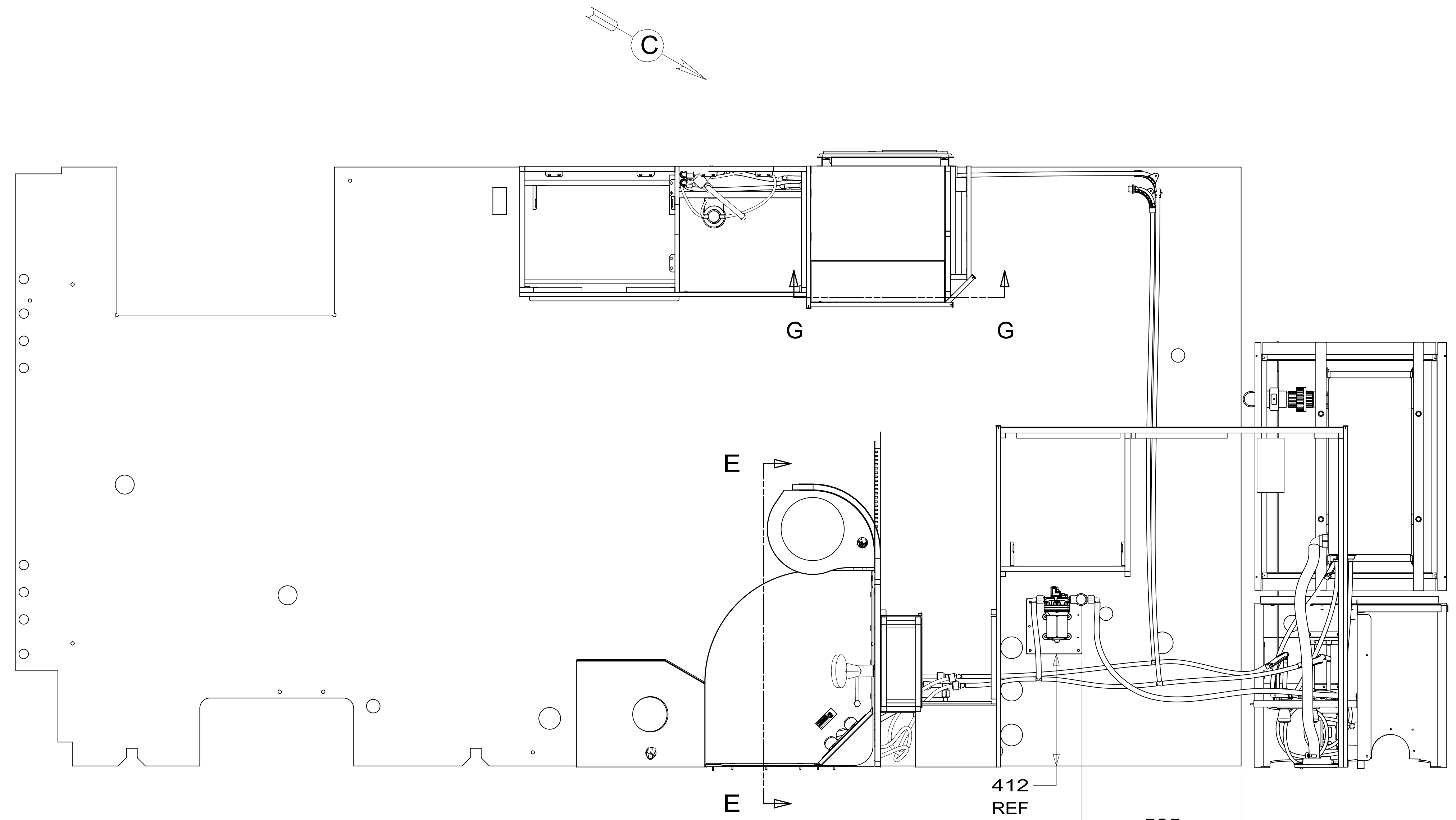
TOP VIEW SHOWING TANKS AND DRAINS



VIEW C

FIRST USED	14 H25Q	
DO NOT SCALE DRAWING		
TITLE: DRAINAGE SYSTEM INSTL		
SHEET 4	PART NO 185505	REV

\* 185505 \* A



9 LAVATORY FAUCET SPOUT TO BE TURNED 180 DEGREES SO THE ON/OFF HANDLE IS FACING TOWARD THE SHOWER.

8. ALL CRIMP FITTINGS TO 1/2" PEX TUBING REQUIRE 1/2" CLAMP 140171-03-000.

7. ALL CRIMP FITTINGS TO 5/8" PEX TUBING REQUIRE 5/8" CLAMP 140171-04-000.

6 LABEL HOT AND COLD SUPPLY TUBES AND TAPE FITTING TO TUBE BEFORE CABINET SET TO PREVENT MOVEMENT.

5 ADD PIPE WRAP (LADDER SCRAP 110157-02-000) INSULATION.

4 ADD TEFLON TAPE 010405-02-000.

3. ALL TUBING TO BE SECURED AT 1200 INTERVALS MAXIMUM WITH CLAMP 010495-01-000 AND SCREW 000G67-10-12U OR EQUIVALENT.

2. TUBING TO BE INSTALLED WITH SUFFICIENT SLOPE TO PROVIDE DRAINAGE TO NEAREST VALVE.

1. PLASTIC FITTINGS TO BE SEALED WITH SEALANT 084456-01-000.

NOTES:

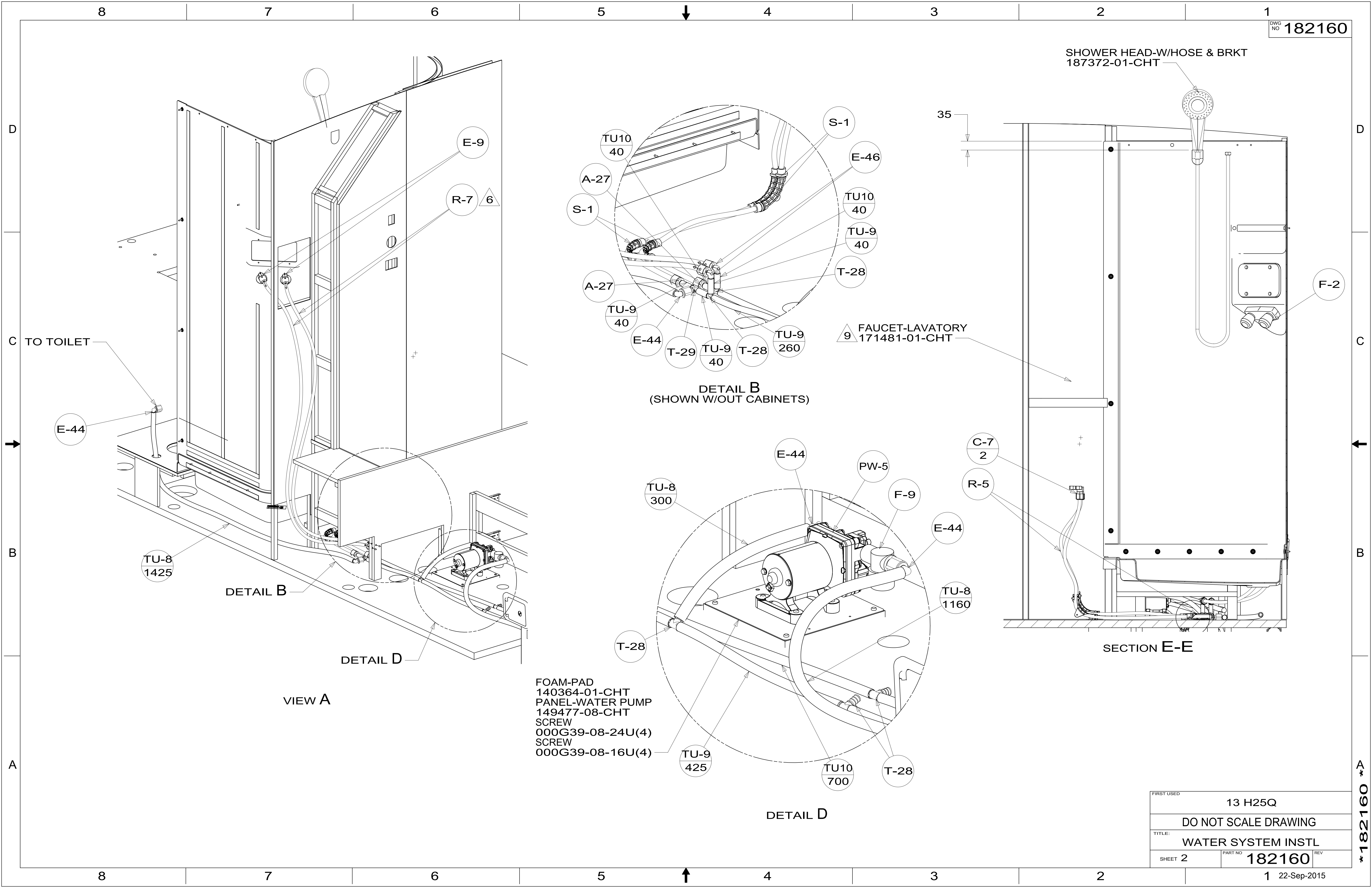
- 53E WATER SYS WINTERIZATION PKG
- 29B WATER PURIFIER
- 64R EXTERIOR WASH STATION

<b>WINNEBAGO</b>		COPYRIGHT 2014 WINNEBAGO INDUSTRIES, INC.	
DFT-ORIG	ORIG. DATE		
CHKR	ALL DIMENSIONS ARE IN MILLIMETERS		
P.E.	FIRST USED		
M.E.	13 H25Q		
DSNR	MATERIAL:		
UNSPECIFIED TOLERANCES ARE:			
WHOLE DIM (X)	: 3		
ONE-PLACE (X.X)	: 1.5		
TWO-PLACE (X.XX)	: 0.50		
ANGLE	: 1°		
THIRD ANGLE PROJECTION			
DO NOT SCALE DRAWING		REFER TO ES0018 FOR FASTENER TIGHTENING GUIDELINES	
TITLE: WATER SYSTEM INSTL			
SHEET 1 OF 5	PART NO	182160	REV
REF:		1	22-Sep-2015

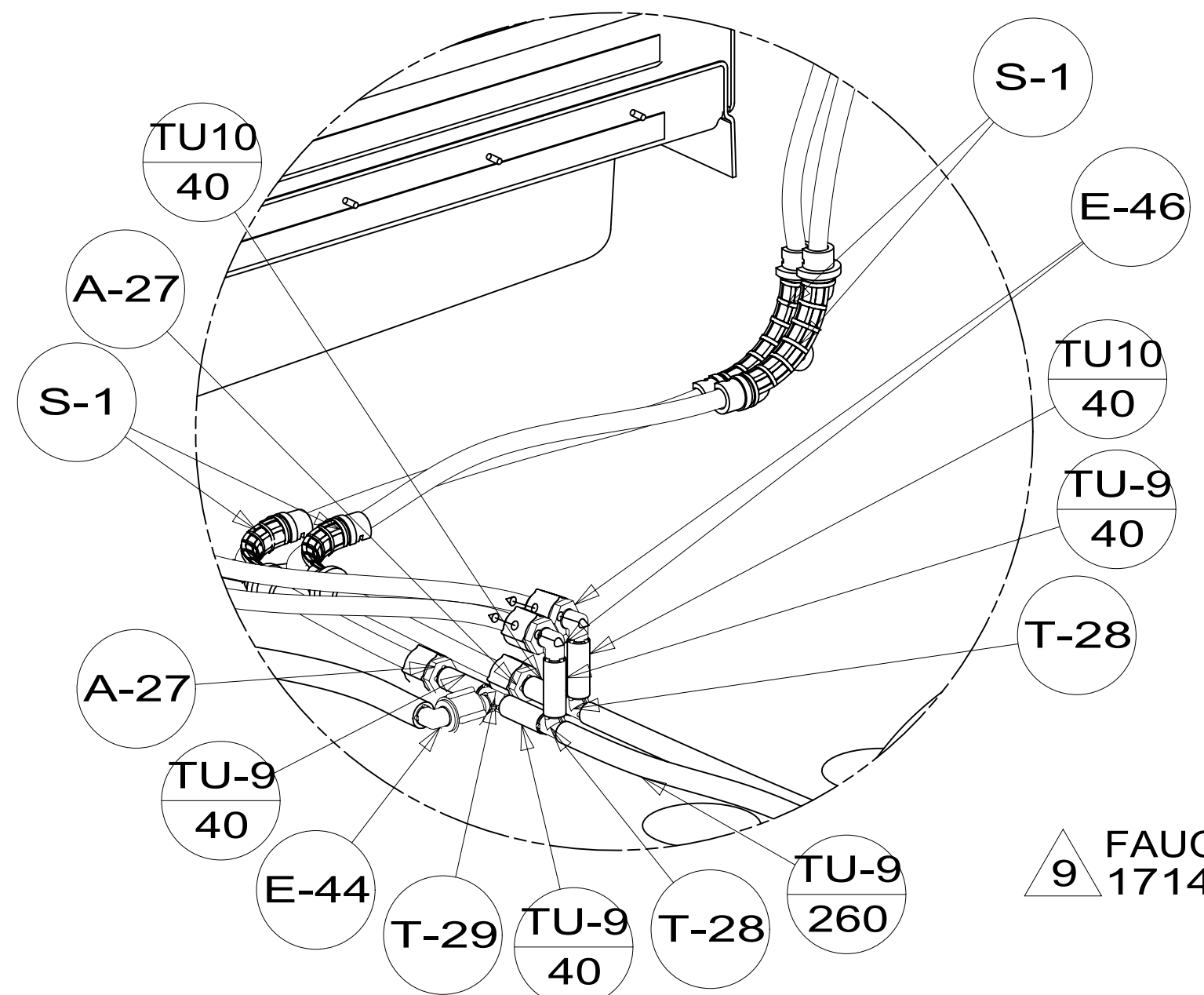
FOR  
WATER  
CALLOUTS  
SEE DWG NO  
116230-01-000

\*182160 \*A



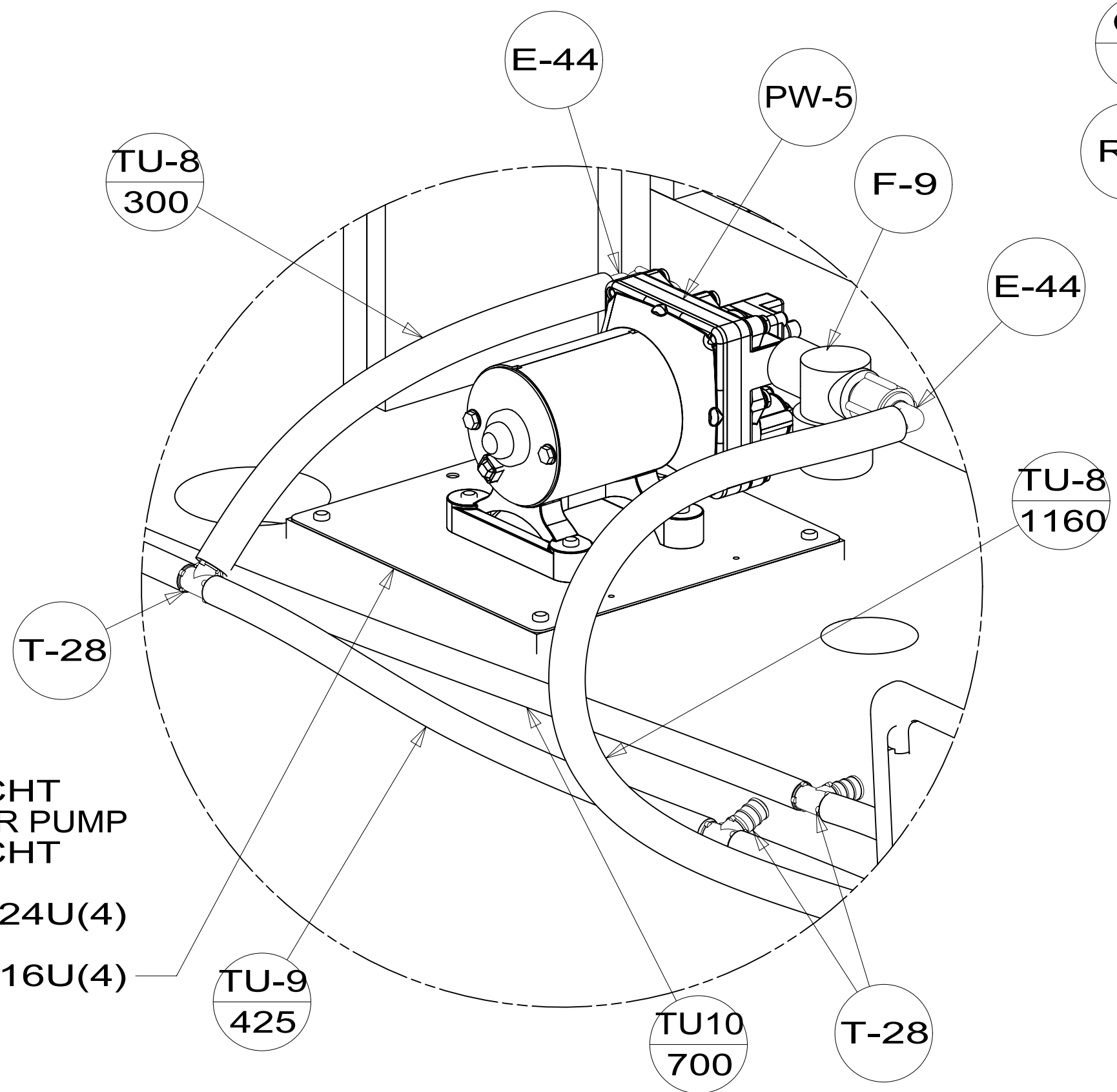


SHOWER HEAD-W/HOSE & BRKT  
187372-01-CHT



DETAIL B  
(SHOWN W/OUT CABINETS)

FAUCET-LAVATORY  
9 171481-01-CHT



DETAIL D

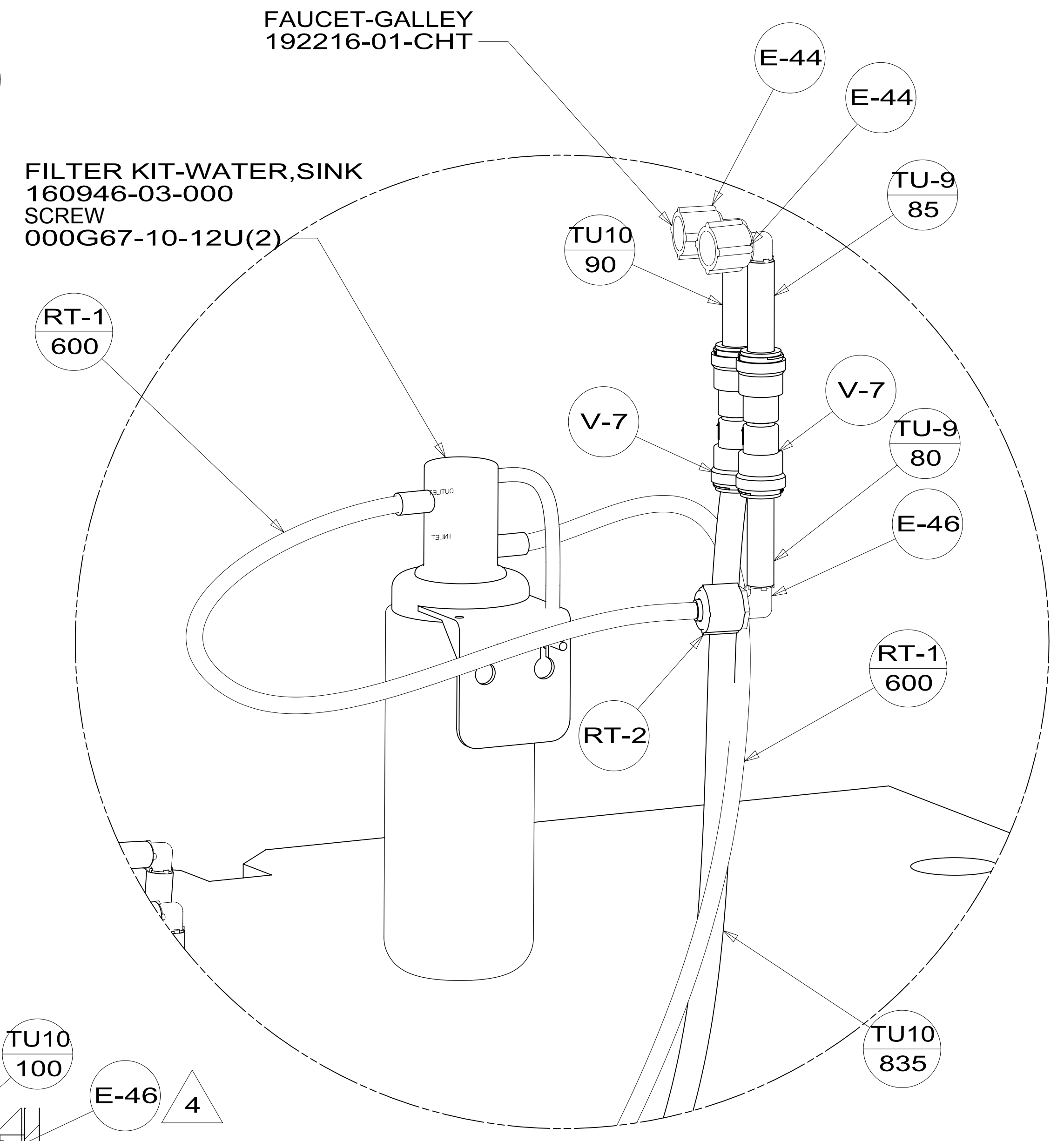
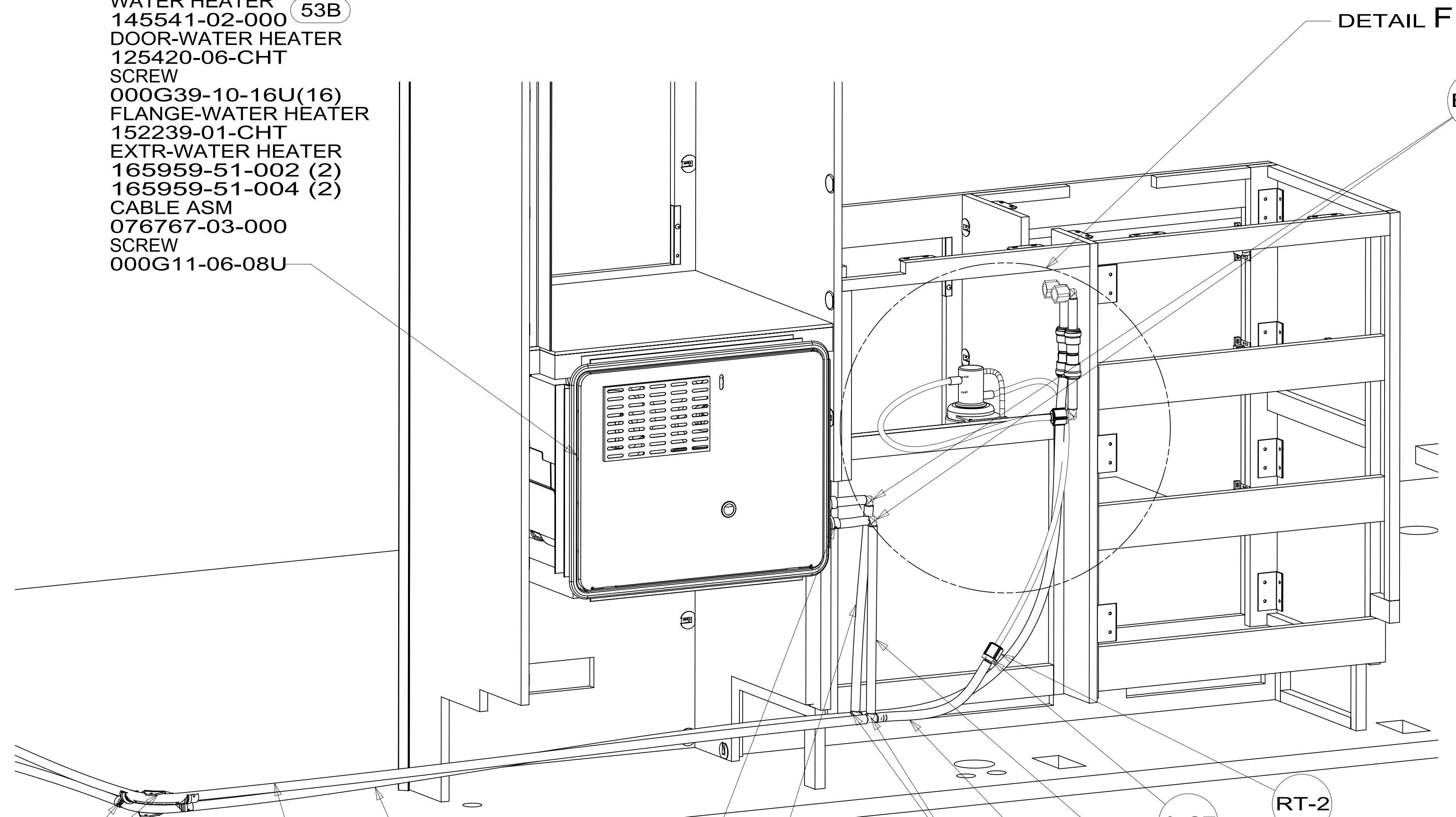
- FOAM-PAD 140364-01-CHT
- PANEL-WATER PUMP 149477-08-CHT
- SCREW 000G39-08-24U(4)
- SCREW 000G39-08-16U(4)

SECTION E-E

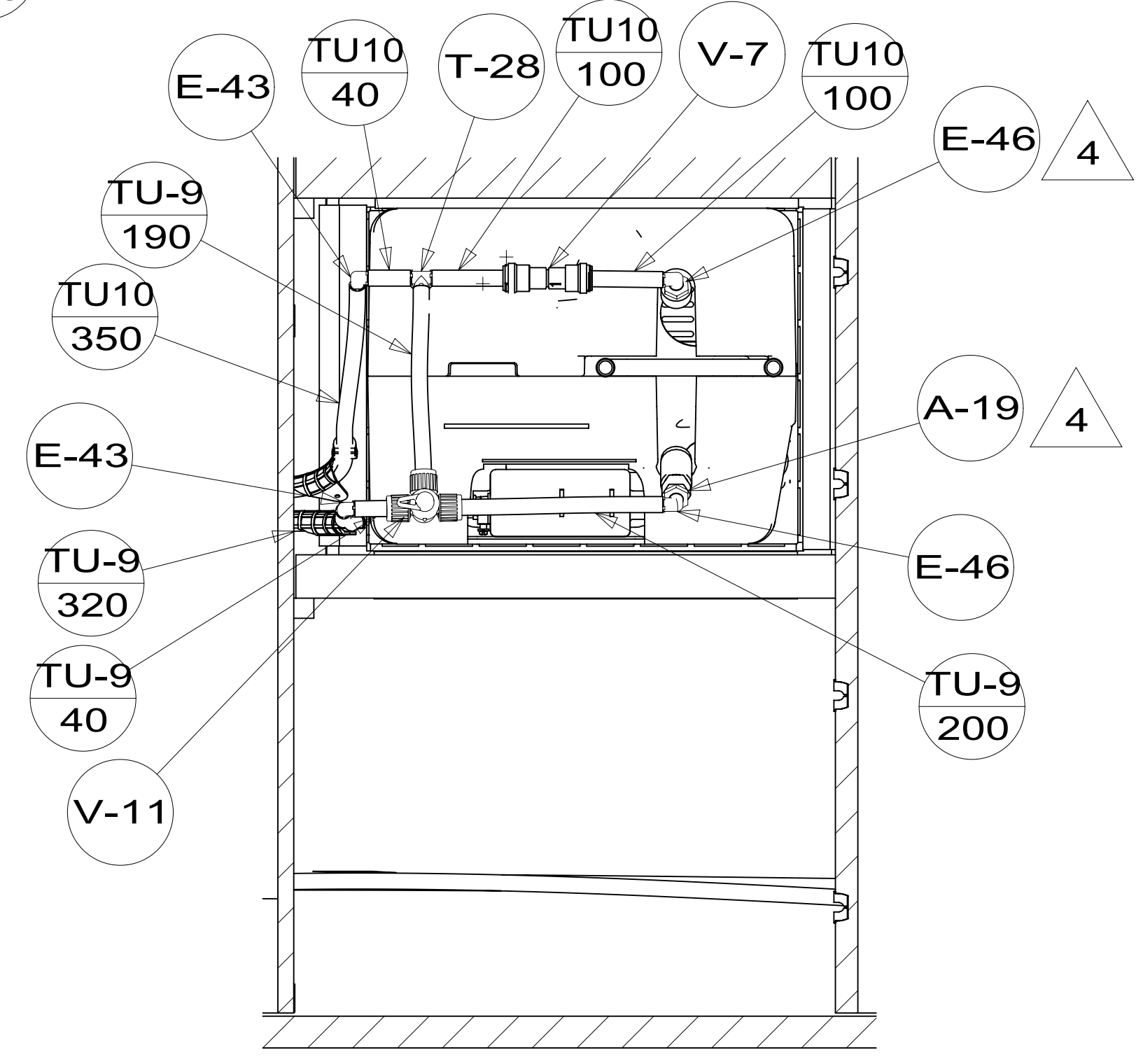
FIRST USED	13 H25Q	
TITLE:	DO NOT SCALE DRAWING	
SHEET 2	PART NO	182160
	REV	1
22-Sep-2015		

\*182160\*

- WATER HEATER 145541-02-000 (53B)
- DOOR-WATER HEATER 125420-06-CHT
- SCREW 000G39-10-16U(16)
- FLANGE-WATER HEATER 152239-01-CHT
- EXTR-WATER HEATER 165959-51-002 (2)
- 165959-51-004 (2)
- CABLE ASM 076767-03-000
- SCREW 000G11-06-08U



VIEW C

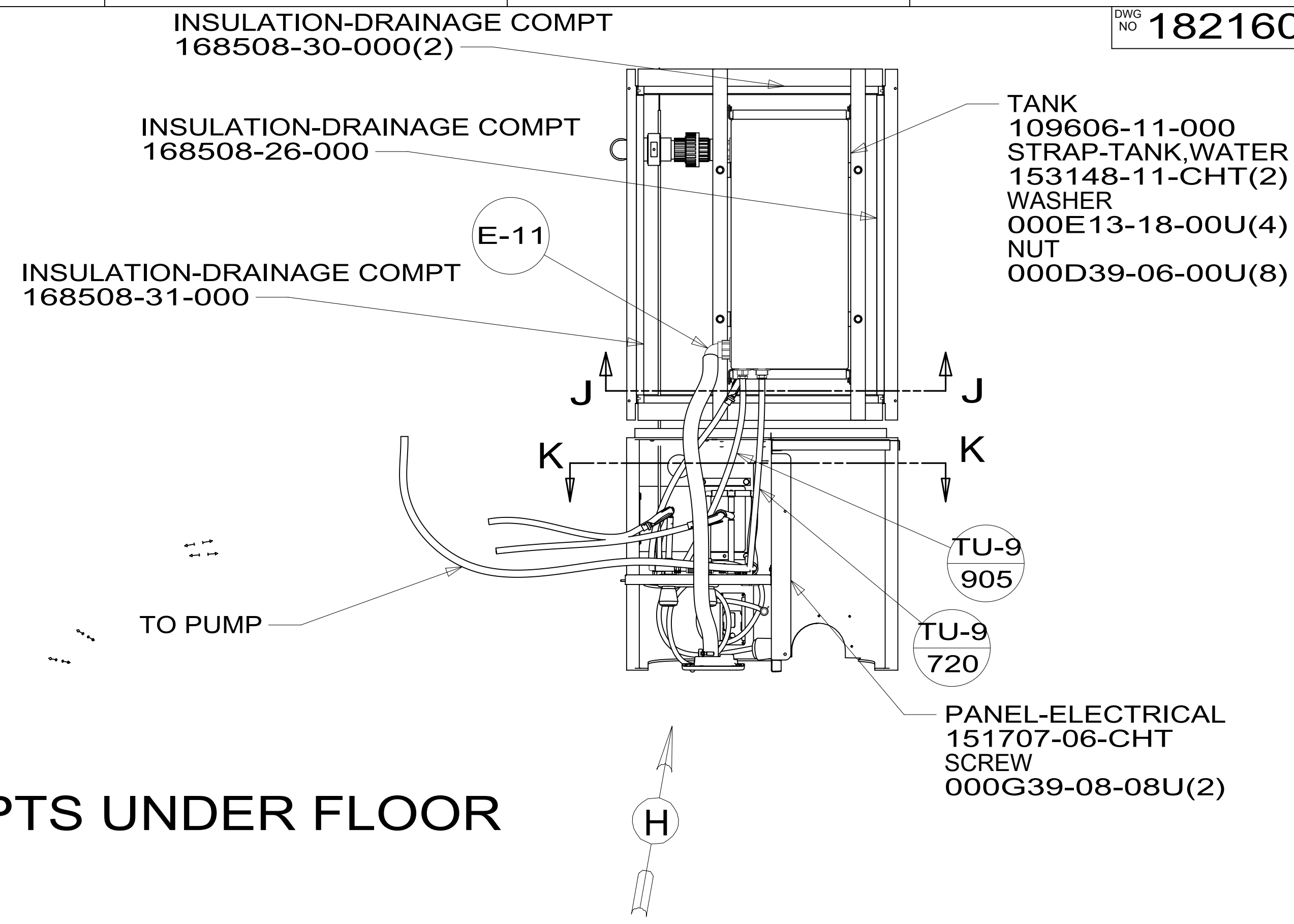
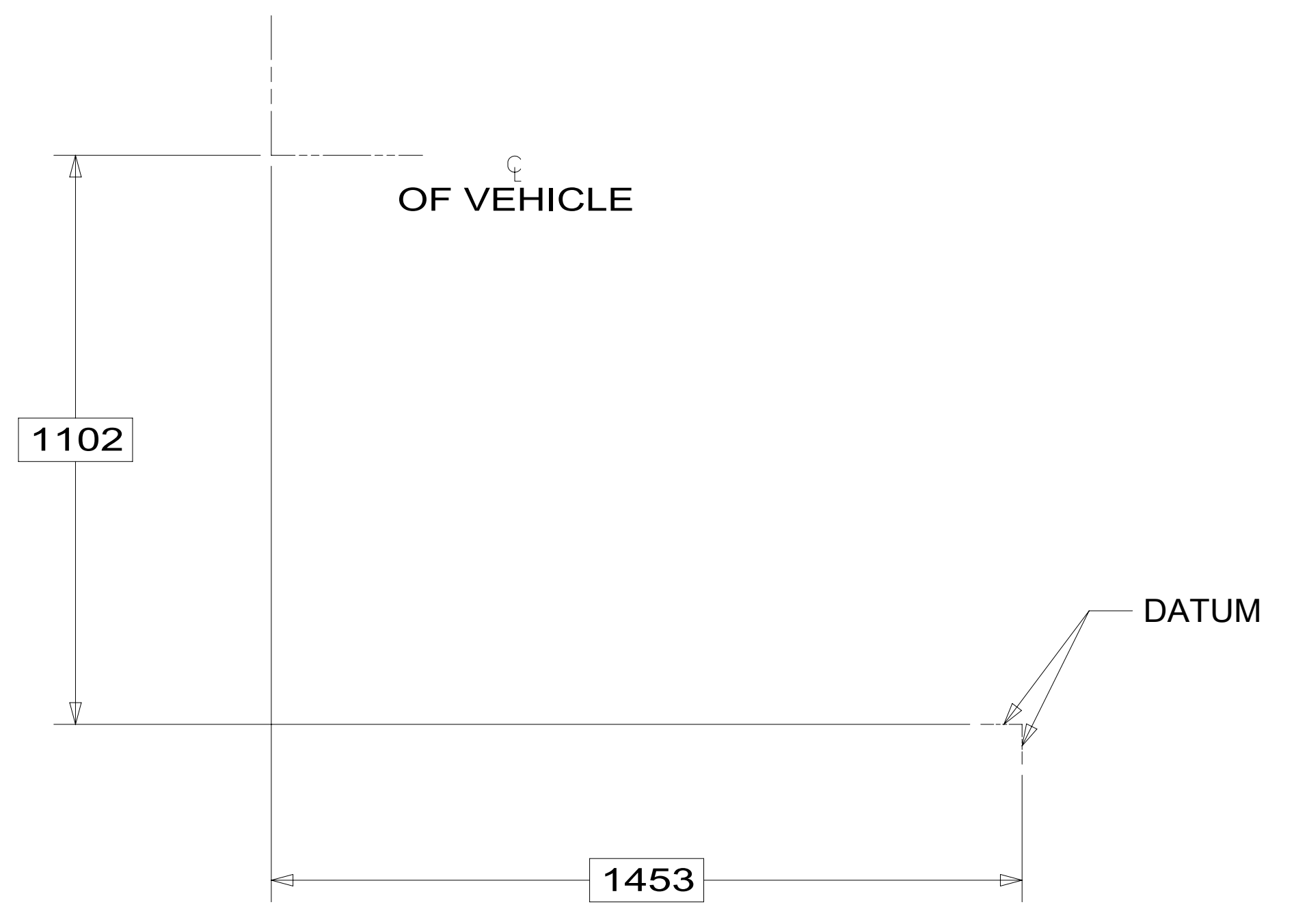


SECTION G-G

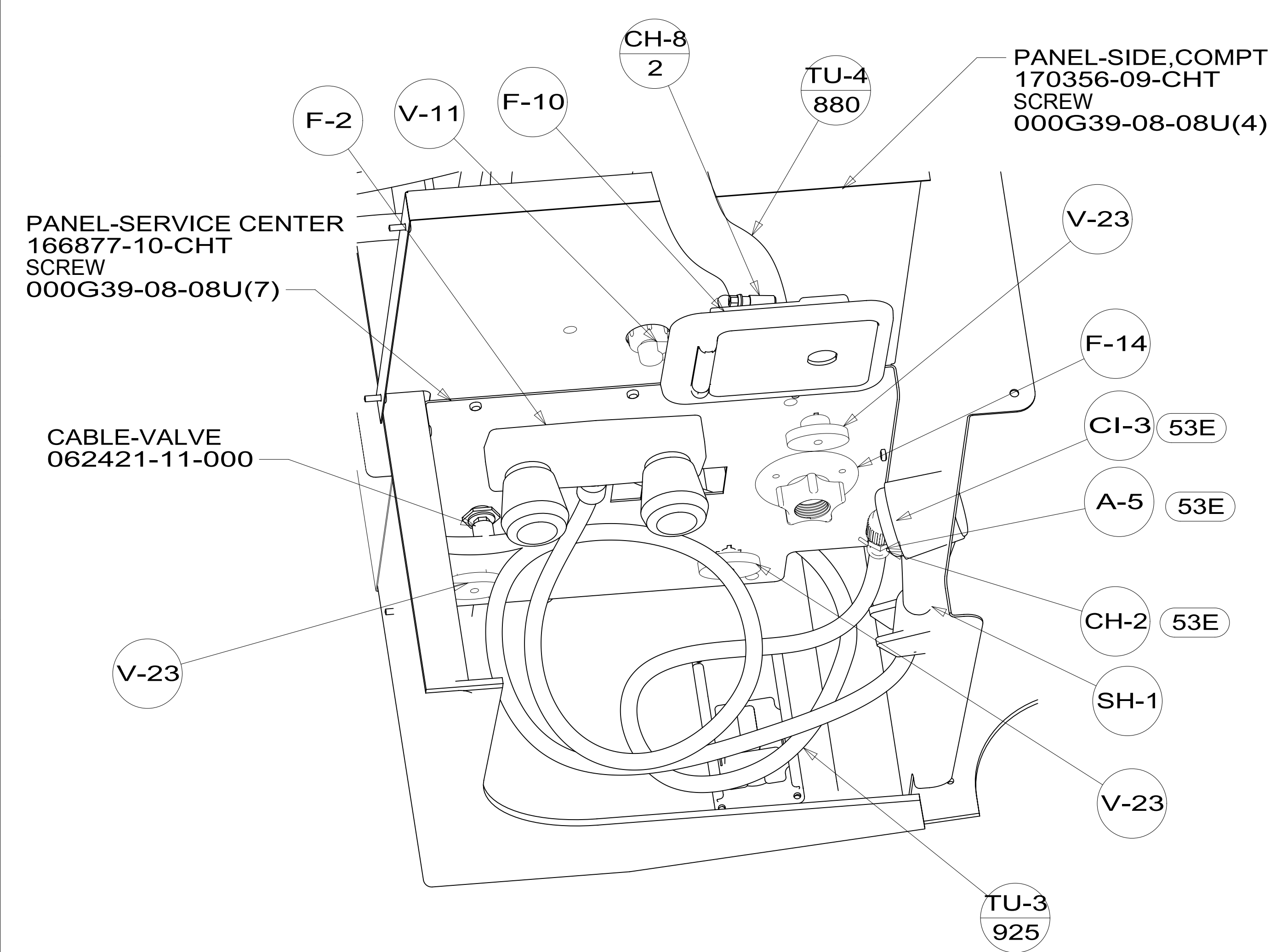
DETAIL F (SHOWN W/OUT CABINETS)

FIRST USED	13 H25Q	
TITLE:	DO NOT SCALE DRAWING	
SHEET 3	PART NO	182160
	REV	1
22-Sep-2015		

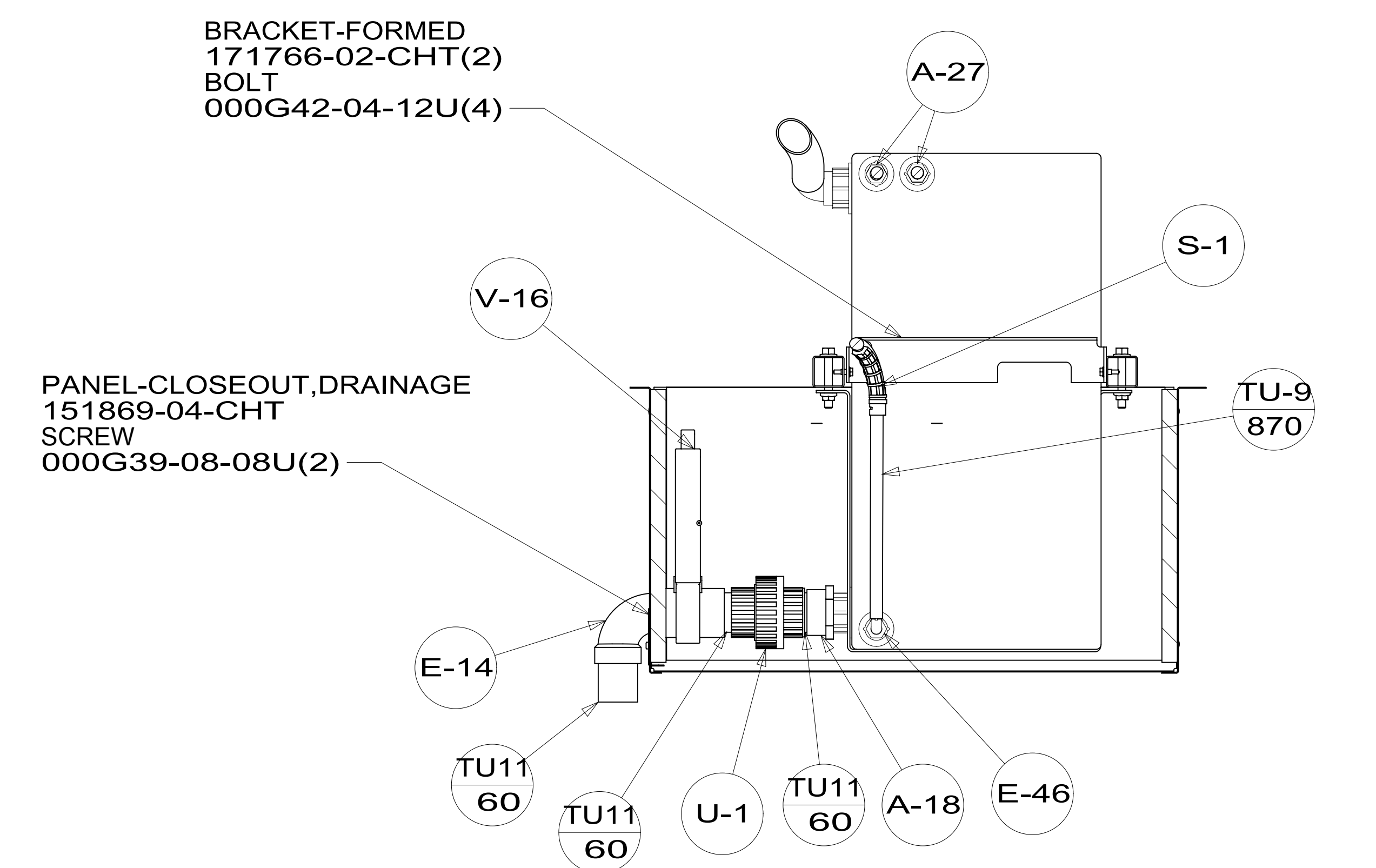
\*182160\*



SHOWING TANKS AND COMPTS UNDER FLOOR



VIEW H

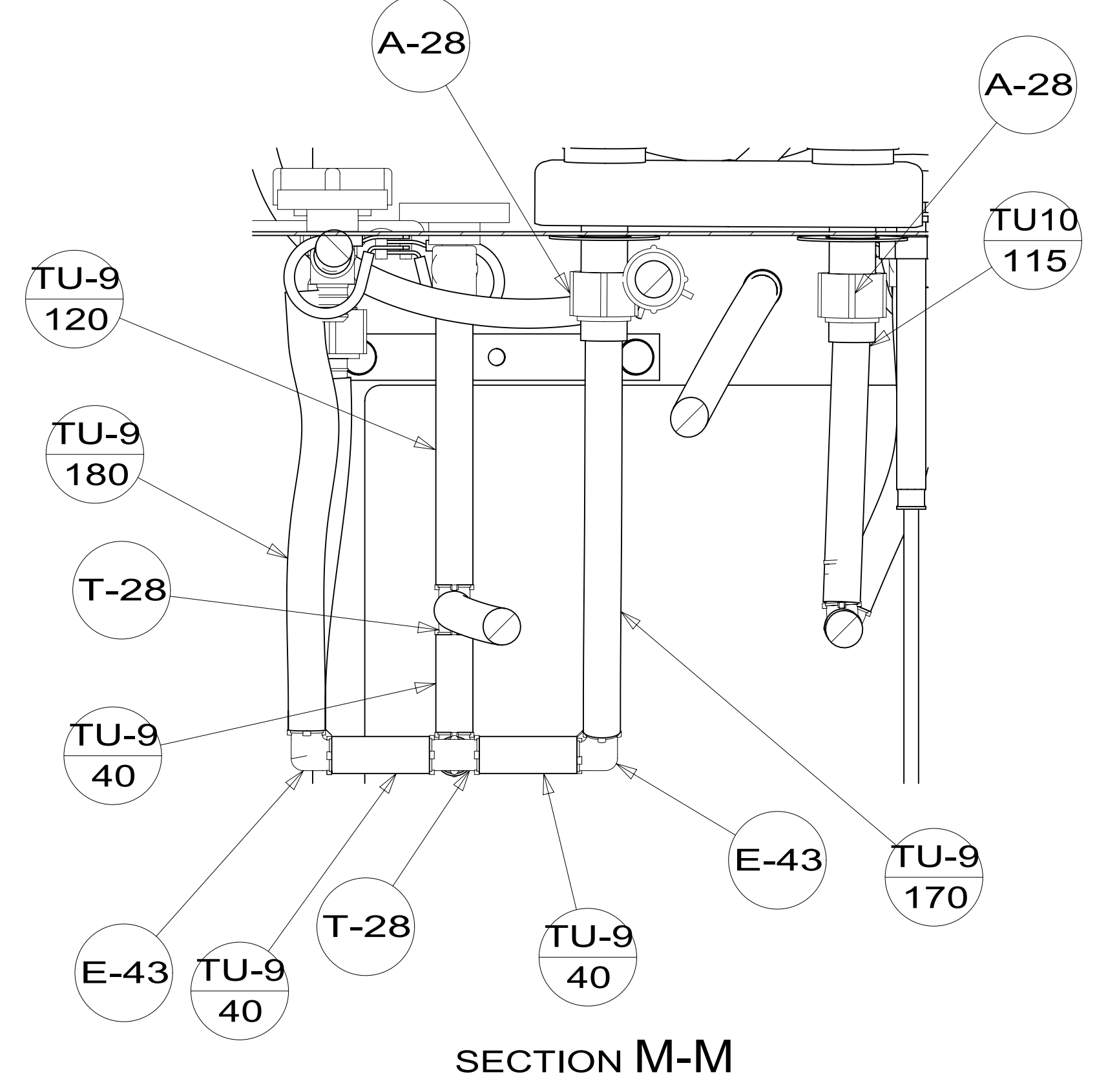
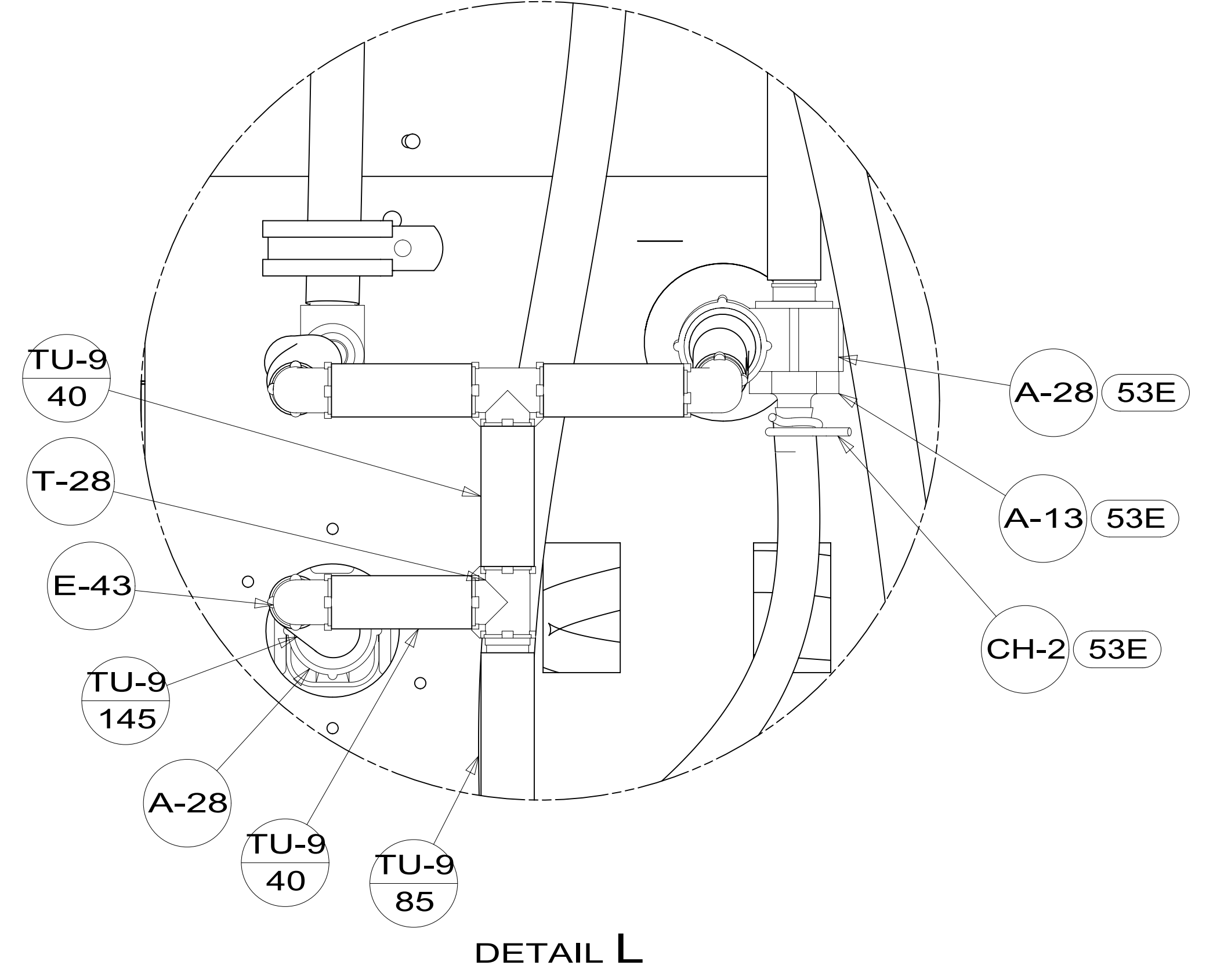
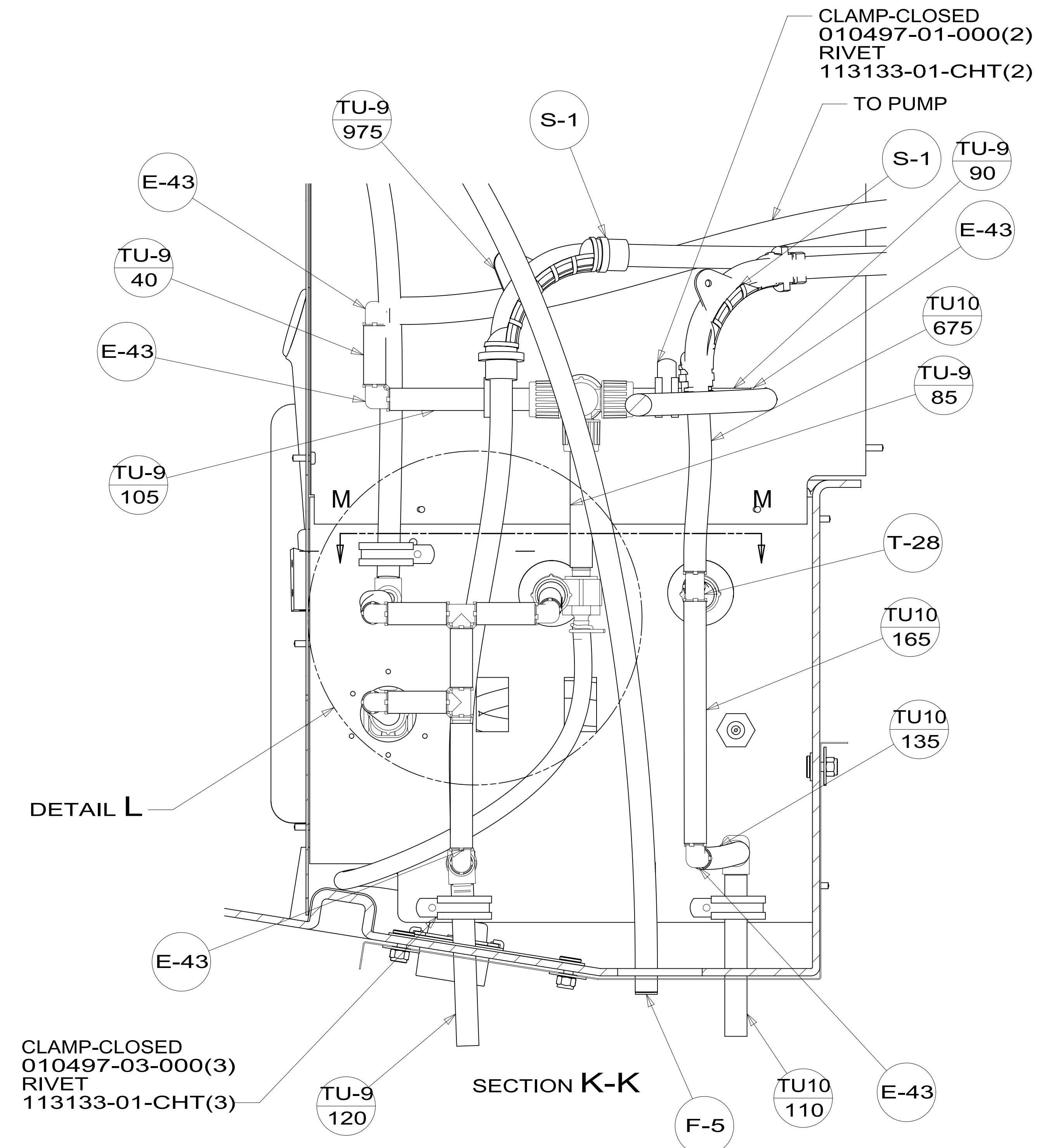


SECTION J-J

FIRST USED	13 H25Q	
TITLE:	DO NOT SCALE DRAWING	
	WATER SYSTEM INSTL	
SHEET 4	PART NO	182160
	REV	

\*182160\*





FIRST USED	13 H25Q		
TITLE:	DO NOT SCALE DRAWING		
SHEET	5	PART NO	182160
		REV	1
22-Sep-2015			

\*182160\*