

- 12. U-LOCKS TO BE INSTALLED BEFORE THE FRAME ASM IS BOLTED DOWN TO THE CHASSIS AND BEFORE THE SEAL PLANES ARE INSTALLED.
- 11. SEE WIRING INSTL-BODY FOR ELECTRICAL CONNECTION.
- 10. PREP THE SURFACE PER MANUFACTURERS INSTRUCTIONS BEFORE APPLYING THE HEATING PAD.
  - 9. SEE DRAWING 061607 FOR INSTALLATION OF GROMMETS.
  - 8. SECURE DRAINAGE PIPES TO CABINET USING WIRE TIE 108046-02-000, AND SCREW 000G67-10-12U AT INTERVALS OF NOT OF NOT MORE THAN 4 FEET APART.
  - 7. SECURE VENT PIPE TO FLOOR WITH CLAMP 062401-02-000 (2), SCREW 000G67-10-12U (2), BRACKET 136878-01-CHT (2).
  - 6. VENT PIPE MUST PROJECT 51 MIN AND 64 MAX ABOVE ROOF FOR PROPER FIT AND FUNCTION. ADD S-1 (116666-01-CHT SEAL-VENT PIPE) AROUND PIPE ON ROOF BEFORE VENT CAP IS INSTALLED.
  - 5. SEAL AROUND SHOWER WITH SILICONE.
  - 4. USE SMOOTH PLUMBERS PUTTY 167459-01-000 TO SEAL STRAINER (0.2 PER STRAINER).
  - 3. ALL PIPE AND FITTINGS TO BE ASSEMBLED WITH SOLVENT 004020-01-000 (USA), 004020-02-000 (CAN)
  - 2. SLOPE OF TRAP ARM MUST BE 6 PER 305 mm.
  - 1. SLOPE OF HORIZONTAL PIPING TO BE MINIMUM OF 3 PER 305 mm.

- (23T) DRAINAGE SYSTEM-HEATED
- (265) CODES/STANDARDS-CSA/CMVSS
- (1B1) CODES/STANDARDS USA

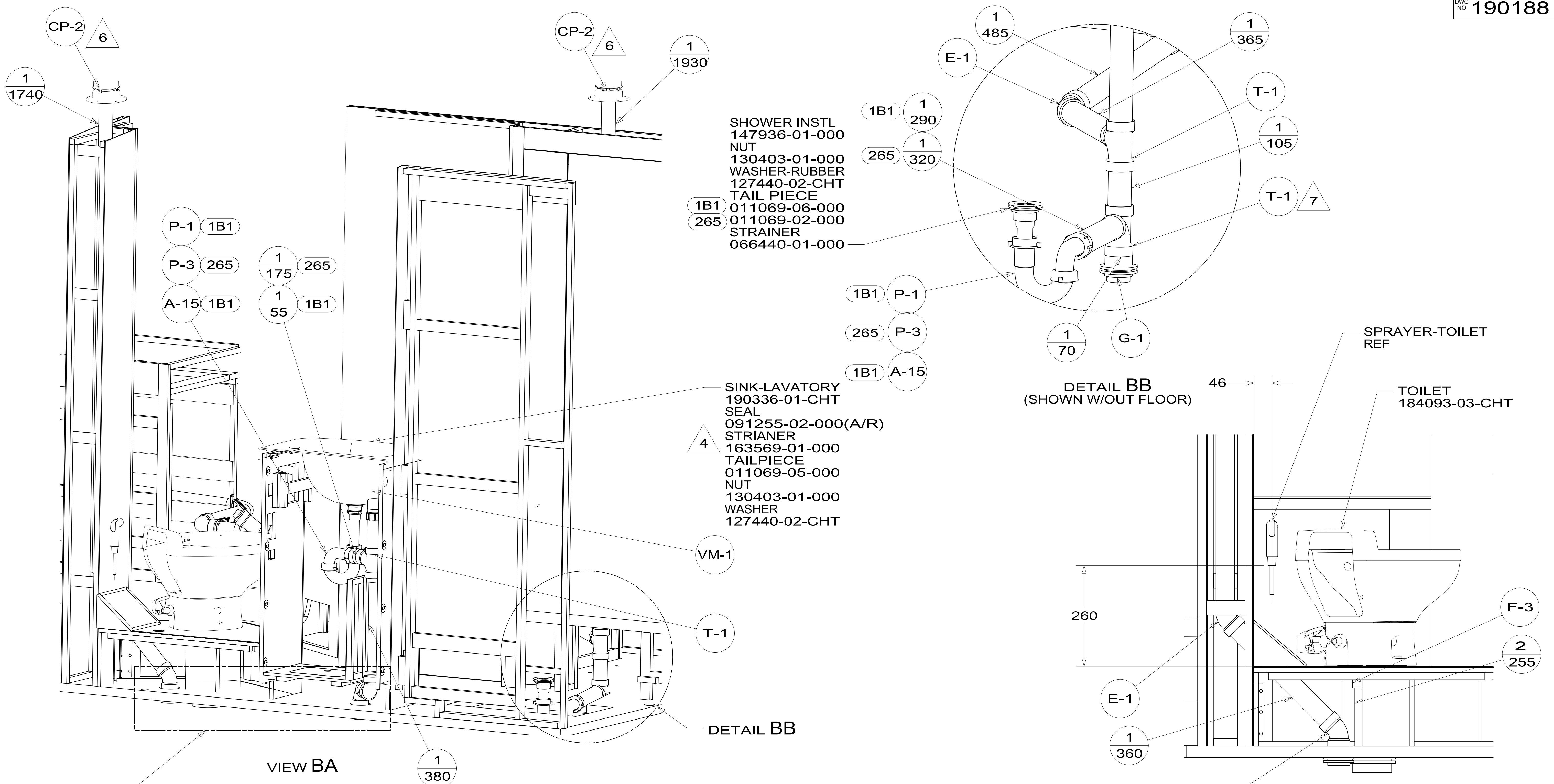
**WINNEBAGO** INDUSTRIES, INC. COPYRIGHT 2014

DFT-ORIG	ORIG. DATE
CHKR	ALL DIMENSIONS ARE IN MILLIMETERS
P.E.	
M.E.	FIRST USED
DSNR	15 H25P
UNSPECIFIED TOLERANCES ARE:	
WHOLE DIM (X)	: 3
ONE-PLACE (X.X)	: 1.5
TWO-PLACE (X.XX)	: 0.50
ANGLE	: 1°
THIRD ANGLE PROJECTION	
DO NOT SCALE DRAWING	REFER TO ES0018 FOR FASTENER TIGHTENING GUIDELINES
TITLE: DRAINAGE SYSTEM INSTL	
SHEET 1 OF 4	PART NO 190188 REV
REF:	1 04-Feb-2015

FOR DRAINAGE CALLOUTS SEE DWG NO 116229-01-000

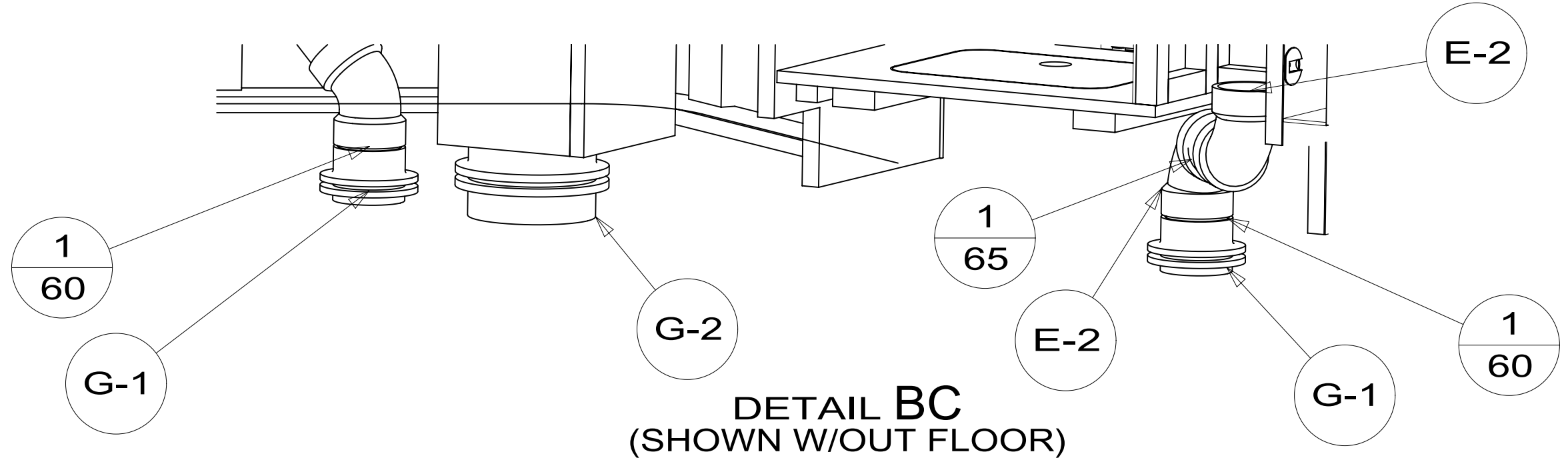
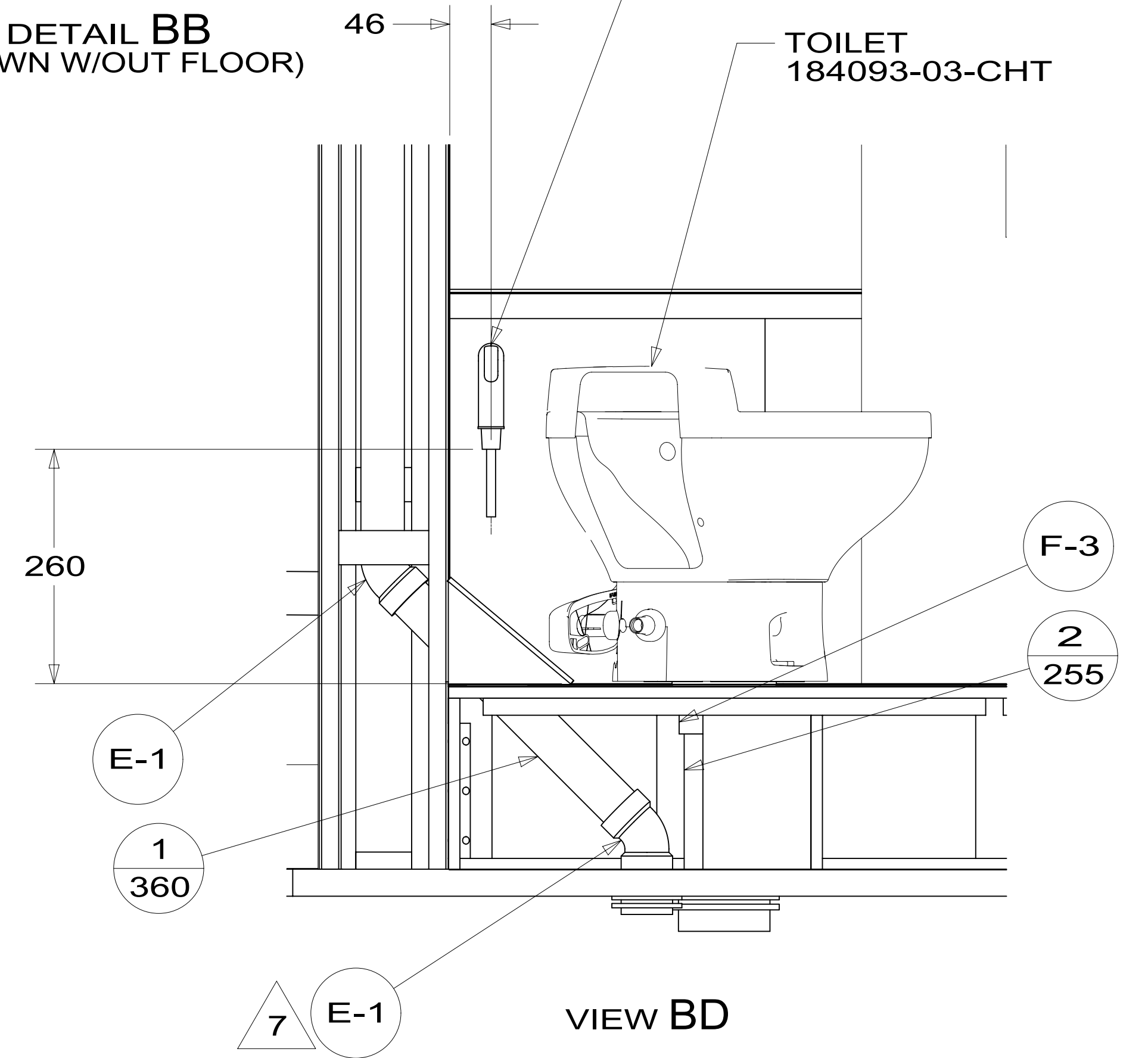
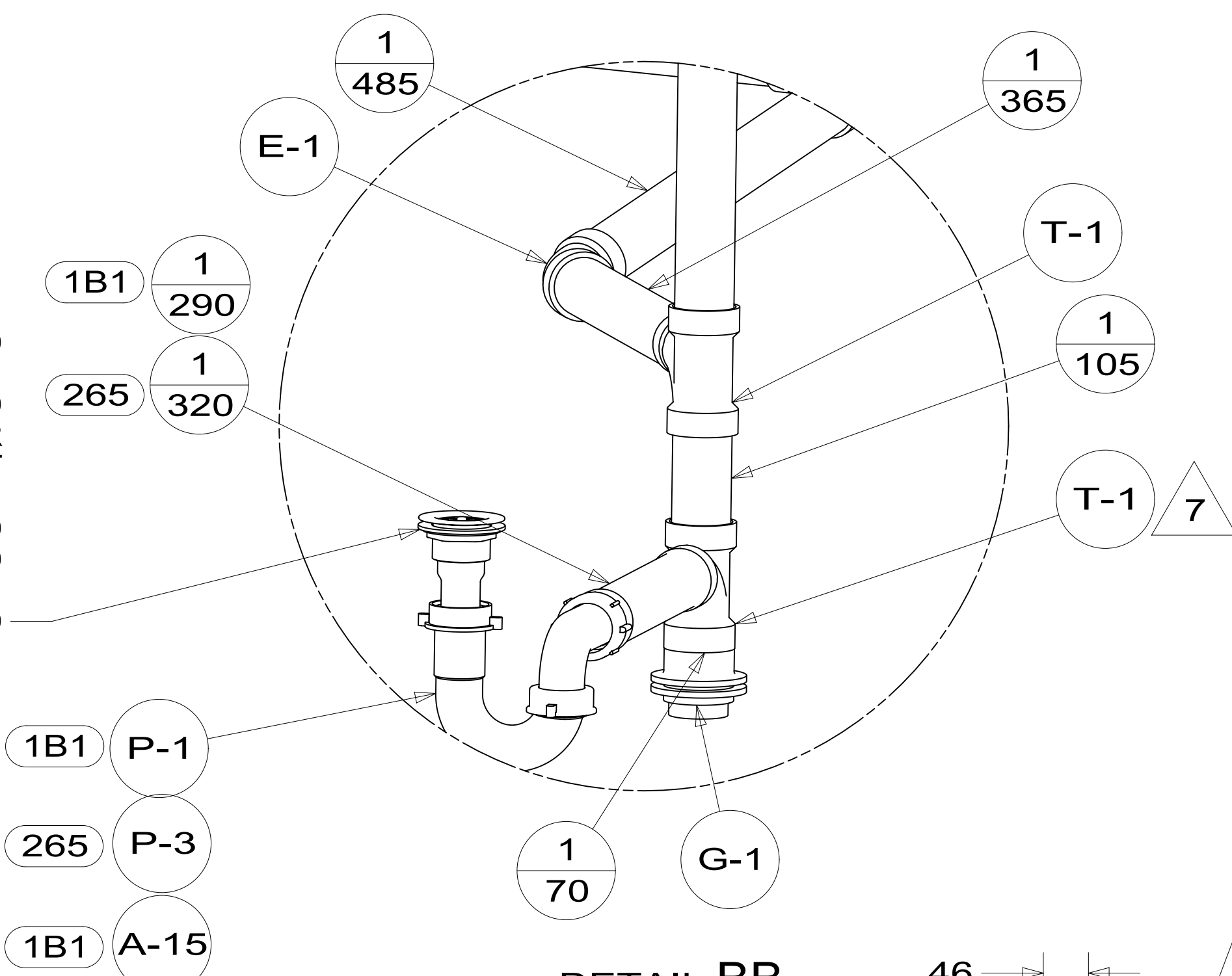
NOTES:

\*190188\*



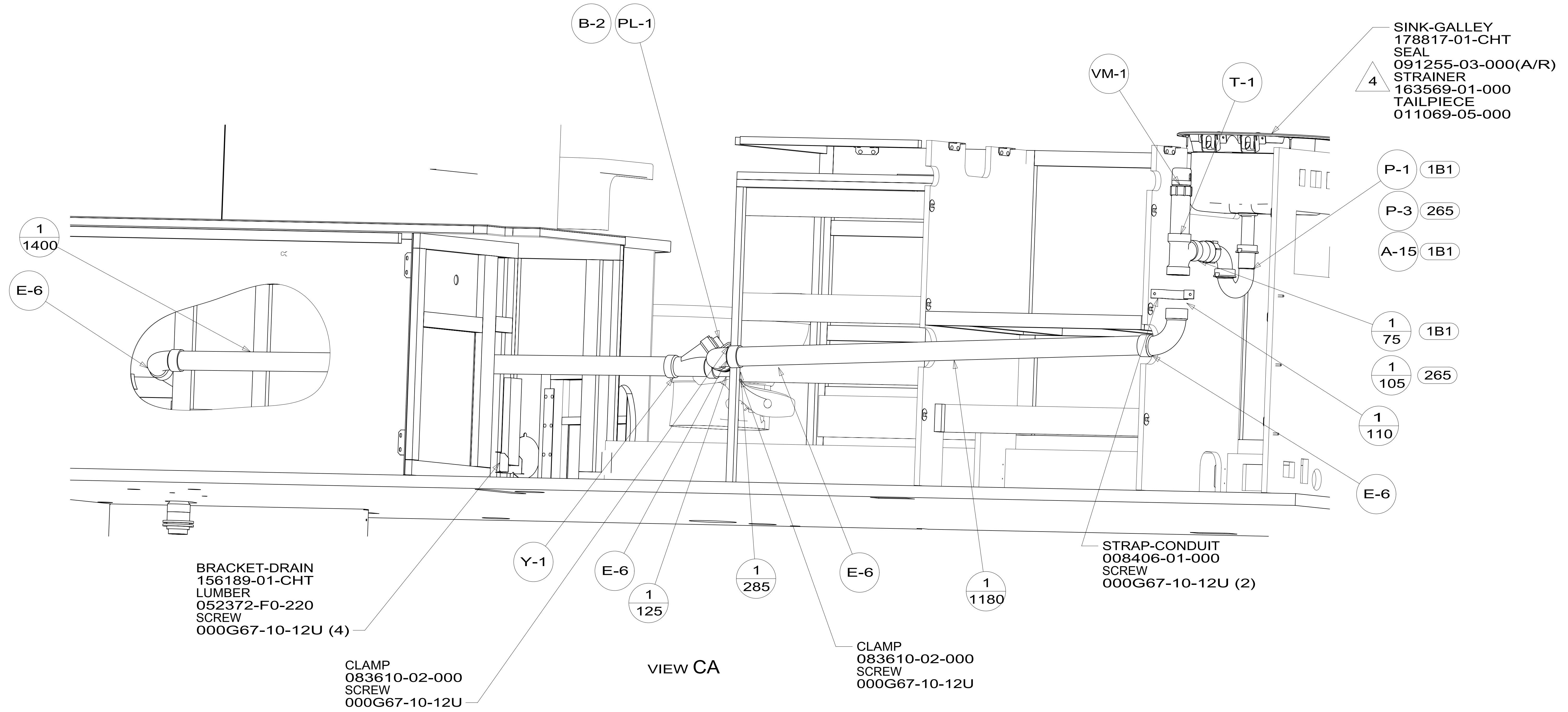
- 1B1 1 290
- 265 1 320
- 1B1 P-1
- 265 P-3
- 1B1 A-15

- 4
- VM-1
- T-1



FIRST USED	15 H25P
DO NOT SCALE DRAWING	
TITLE: DRAINAGE SYSTEM INSTL	
SHEET 2	PART NO 190188 REV

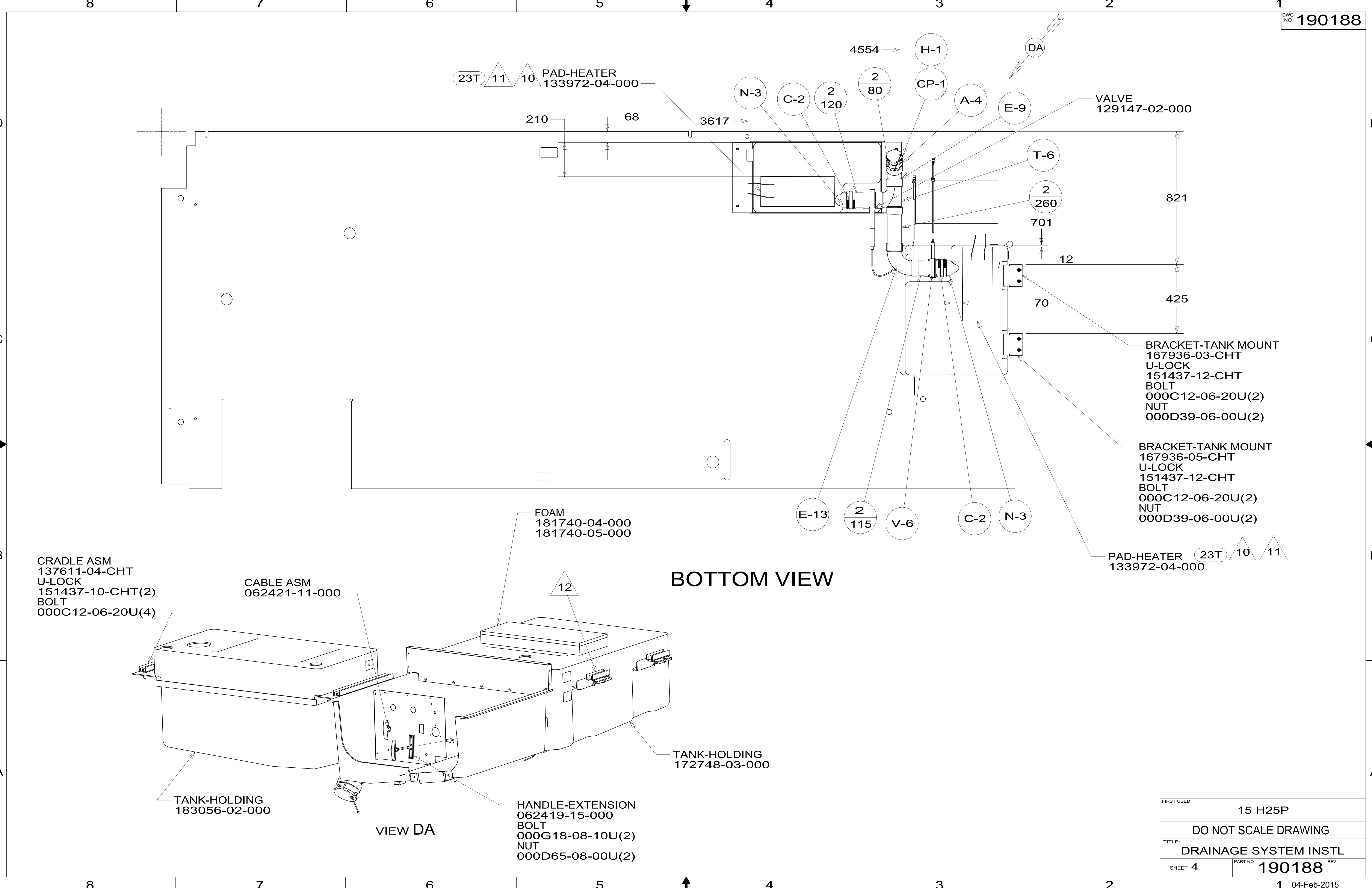
\* 190188 \*



VIEW CA

FIRST USED	15 H25P		
DO NOT SCALE DRAWING			
TITLE: DRAINAGE SYSTEM INSTL			
SHEET 3	PART NO	190188	REV
		1	04-Feb-2015

\* 190188 \*

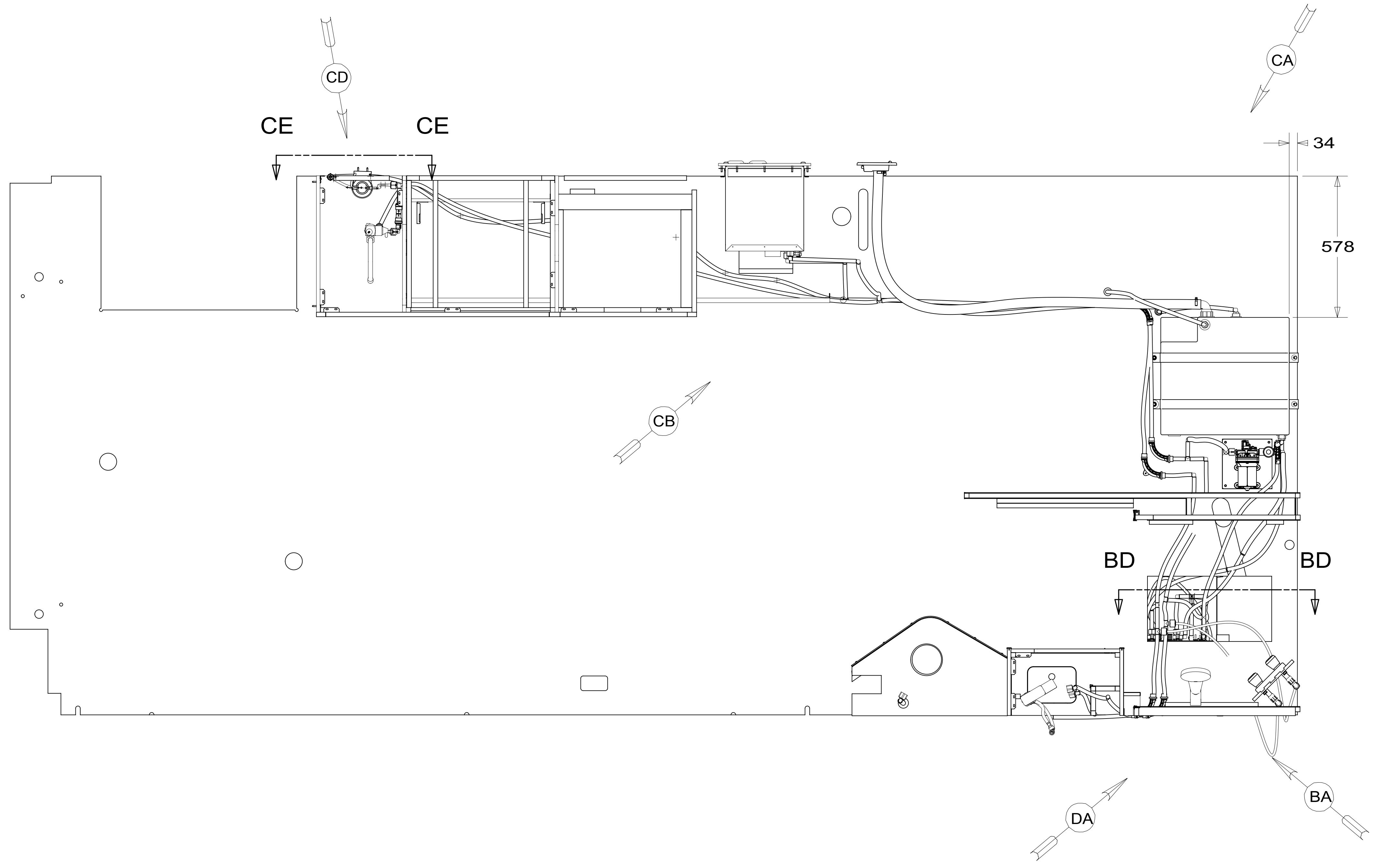


**BOTTOM VIEW**

**VIEW DA**

FIRST USED	15 H25P	
TITLE:	DO NOT SCALE DRAWING	
TITLE:	DRAINAGE SYSTEM INSTL	
SHEET 4	PART NO 190188	REV
1 04-Feb-2015		

\*190188\*



- NOTES:
- 10 MOUNT TO COACH FLOOR PRIOR TO INSTALLING ON FLOOR OF CHASSIS.
  9. INSTALL BYPASS PLUG FOR SYSTEM TESTING AND SHIPPING.
  8. ALL CRIMP FITTINGS TO 1/2" PEX TUBING REQUIRE 1/2" CLAMP 140171-03-000.
  7. ALL CRIMP FITTINGS TO 5/8" PEX TUBING REQUIRE 5/8" CLAMP 140171-04-000.
  - 6 LABEL HOT AND COLD SUPPLY TUBES AND TAPE FITTING TO TUBE BEFORE CABINET SET TO PREVENT MOVEMENT.
  - 5 ADD PIPE WRAP (LADDER SCRAP 110157-02-000) INSULATION.
  - 4 ADD TEFLON TAPE 010405-01-000.
  3. ALL TUBING TO BE SECURED AT 1200 INTERVALS MAXIMUM WITH CLAMP 010495-01-000 AND SCREW 000G67-10-12U OR EQUIVALENT.
  2. TUBING TO BE INSTALLED WITH SUFFICIENT SLOPE TO PROVIDE DRAINAGE TO NEAREST VALVE.
  1. PLASTIC FITTINGS TO BE SEALED WITH SEALANT 084456-01-000.

- 1BT WATER HEATER, TANKLESS
- 26B WATER PURIFIER
- 501 WATER PURIFIER WITHOUT
- 64R EXTERIOR WASH STATION

FOR WATER CALLOUTS SEE DWG NO 116230-01-000

<b>WINNEBAGO</b>		COPYRIGHT 2014 WINNEBAGO INDUSTRIES, INC.	
DFTR	ORIG. DATE	ALL DIMENSIONS ARE IN MILLIMETERS	
CHKR			
P.E.			
M.E.	FIRST USED		
DSNR		15 H25P	
UNSPECIFIED TOLERANCES ARE:		MATERIAL:	
WHOLE DIM (X)	: 3		
ONE-PLACE (X.X)	: 1.5		
TWO-PLACE (X.XX)	: 0.50		
ANGLE	: 1°		
THIRD ANGLE PROJECTION			
DO NOT SCALE DRAWING		REFER TO ES0018 FOR FASTENER TIGHTENING GUIDELINES	
TITLE: WATER SYSTEM INSTL			
SHEET 1 OF 4	PART NO	190363	REV
REF:	1	22-Sep-2015	

\*190363\*



FAUCET-LAVATORY  
187518-01-CHT  
WASHER  
000E13-13-00U (2)

TANK ASM-WATER  
151550-11-000

STRAP-TANK,WATER  
118994-22-CHT (2)  
SCREW  
000G42-04-24U (2)  
WASHER  
000E13-16-00U (2)  
PLATE ASM  
174241-04-CHT  
SCREW  
000G39-10-08U(2)  
NUT  
000D39-05-00U(2)  
WASHER  
000E13-22-00U(2)

PW-5 SCREW  
000G39-08-20U(4)

PANEL-WATER PUMP  
149477-08-CHT  
FOAM  
140364-01-CHT  
SCREW  
000G39-08-16U (4)

DETAIL BC  
(SHOWN W/OUT CABINETS)

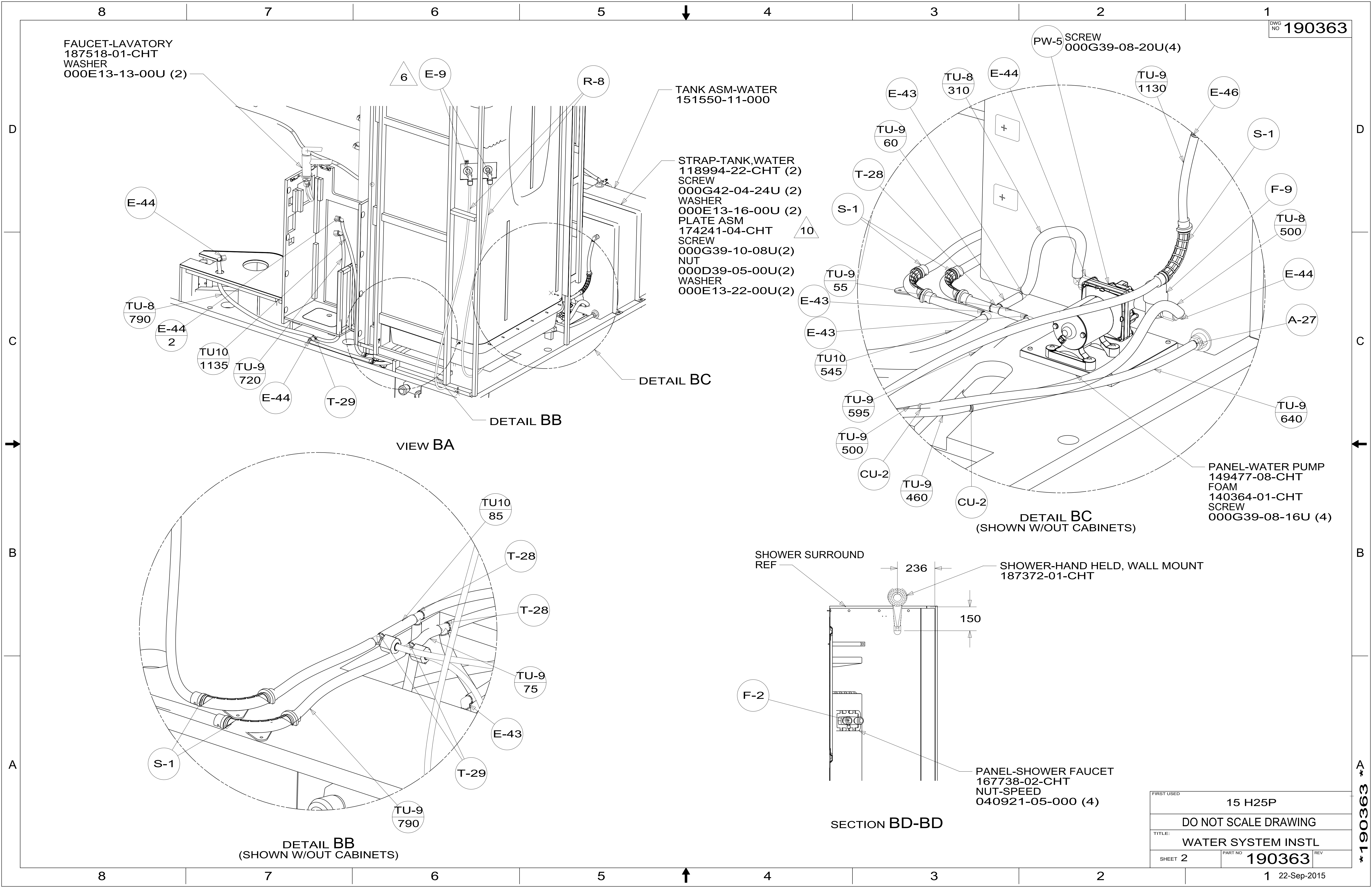
SHOWER SURROUND  
REF

SHOWER-HAND HELD, WALL MOUNT  
187372-01-CHT

PANEL-SHOWER FAUCET  
167738-02-CHT  
NUT-SPEED  
040921-05-000 (4)

FIRST USED	15 H25P	
TITLE:	DO NOT SCALE DRAWING	
SHEET 2	PART NO	190363
	REV	

\*190363\*



FAUCET-GALLEY, SNGL CONTROL  
192216-01-CHT

WATER HEATER INSTL-TANKLESS 1BT  
186899-05-000

PLATFORM ASM  
144200-A3-000

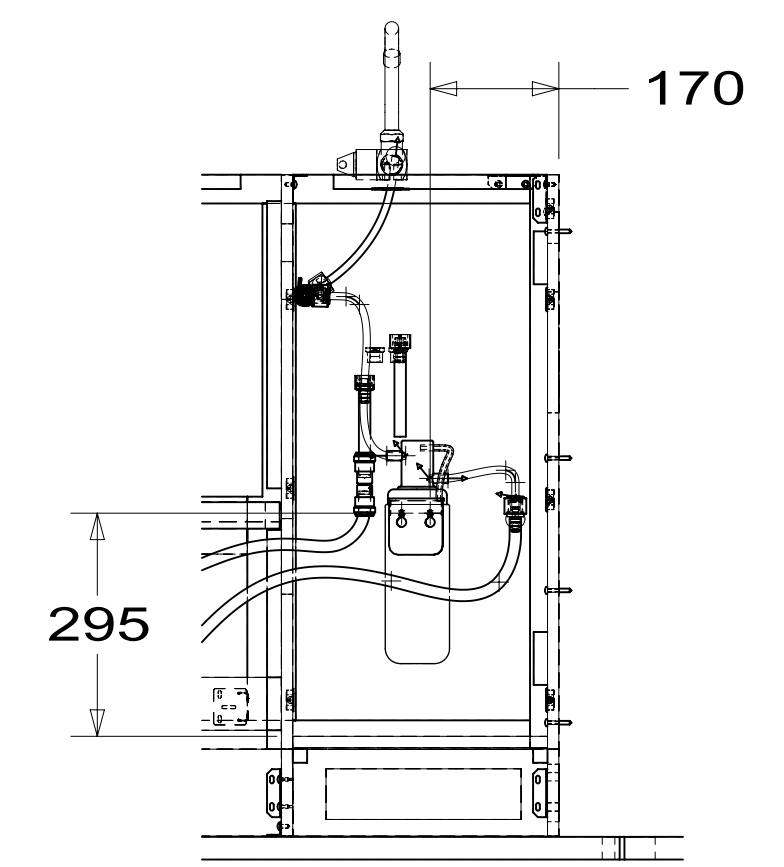
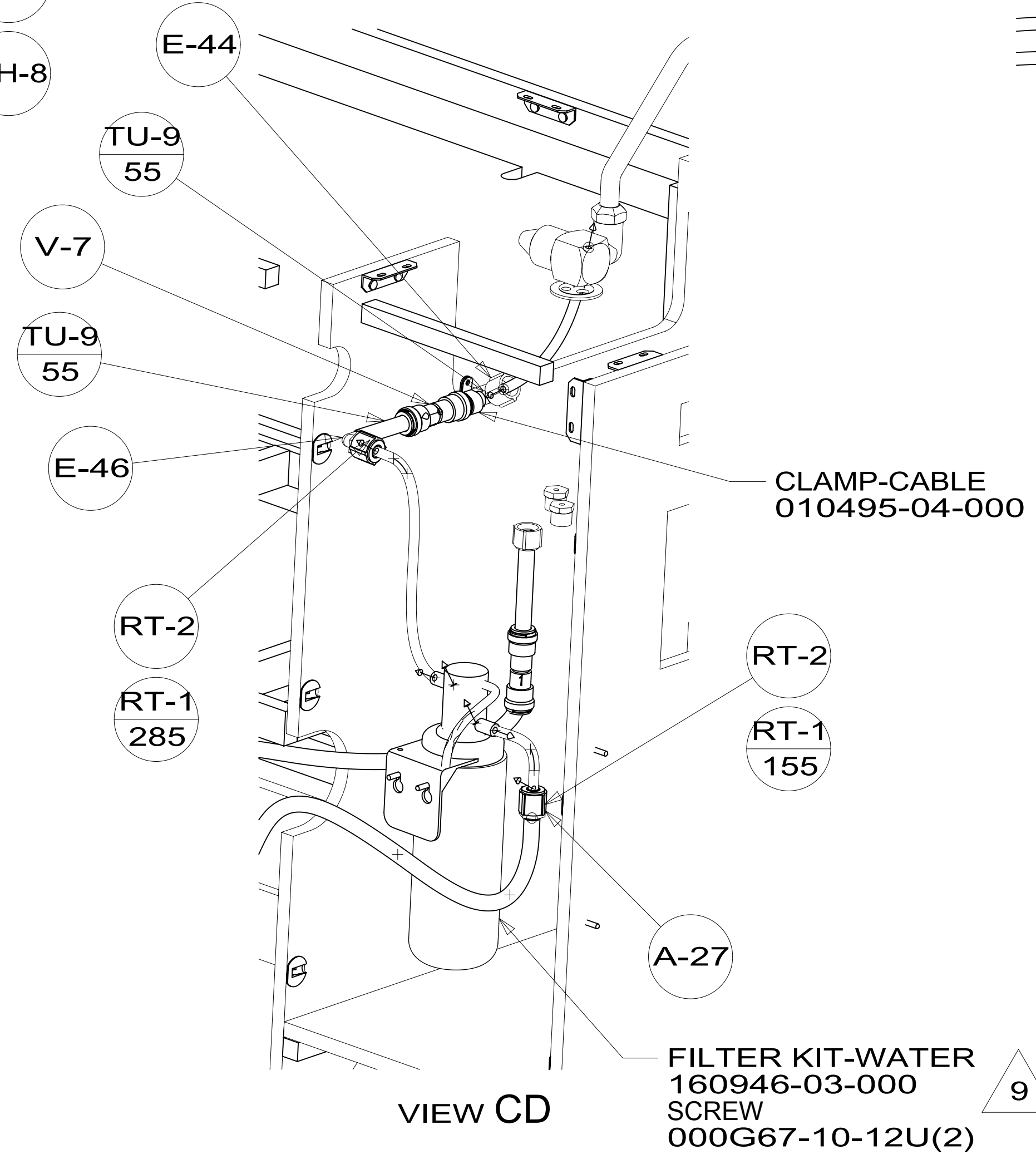
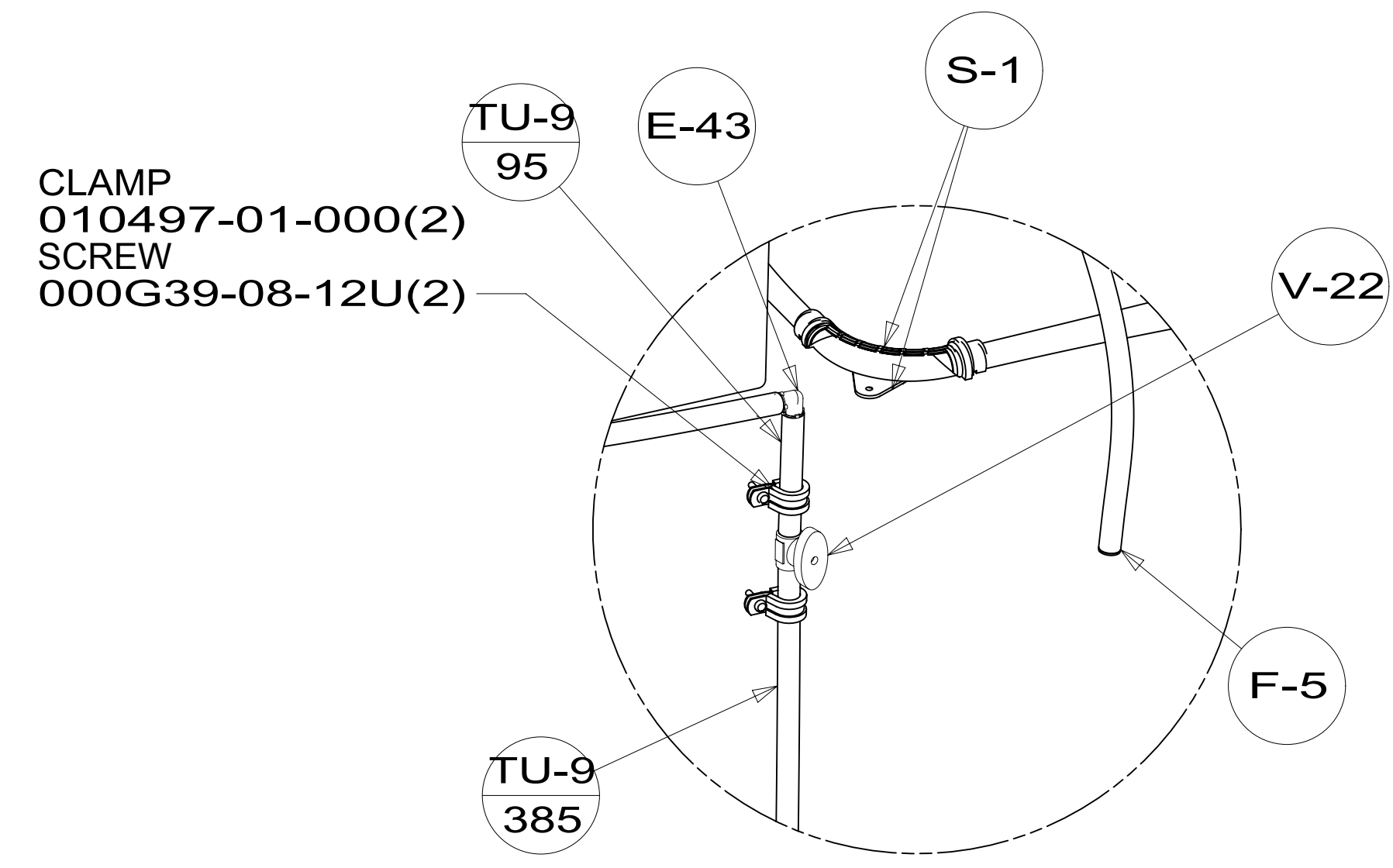
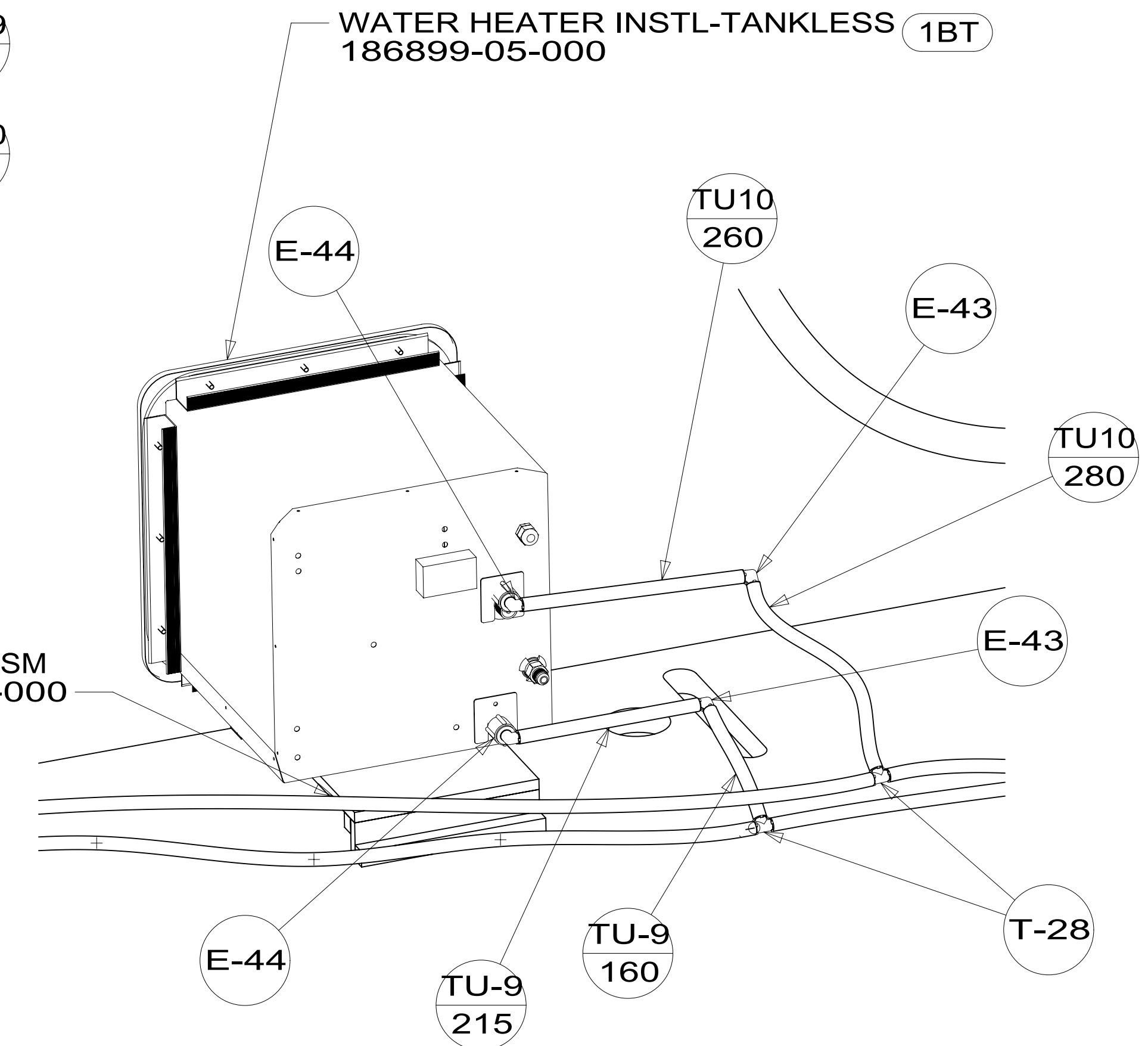
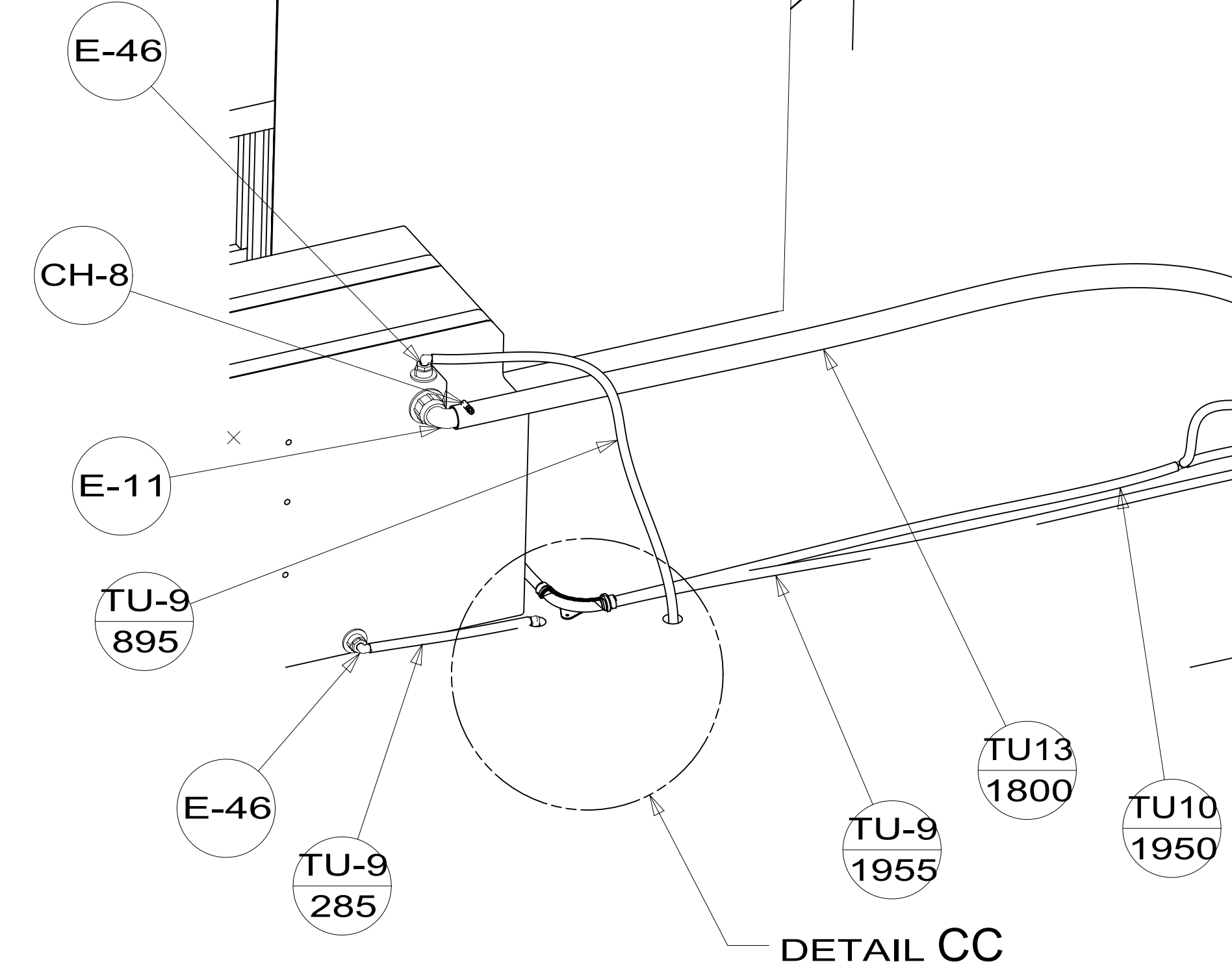
VIEW CA

VIEW CB  
(SHOWN W/OUT CABINETS)

DETAIL CC  
(SHOWN W/OUT FLOOR)

VIEW CD

SECTION CE-CE



CLAMP  
010497-01-000(2)  
SCREW  
000G39-08-12U(2)

CLAMP-CABLE  
010495-04-000

FILTER KIT-WATER  
160946-03-000  
SCREW  
000G67-10-12U(2)

FIRST USED	15 H25P	
DO NOT SCALE DRAWING		
TITLE: WATER SYSTEM INSTL		
SHEET 3	PART NO 190363	REV

\*190363\*

PANEL-SIDE,COMPT  
170356-13-CHT  
SCREW-PAN,HEAD  
000G39-10-08U (5)

PANEL-SERVICE CENTER  
166877-12-CHT  
SCREW-PAN,HEAD  
000G39-10-08U (2)

CLAMP  
010495-04-000(2)  
RIVET  
113133-03-CHT (2)

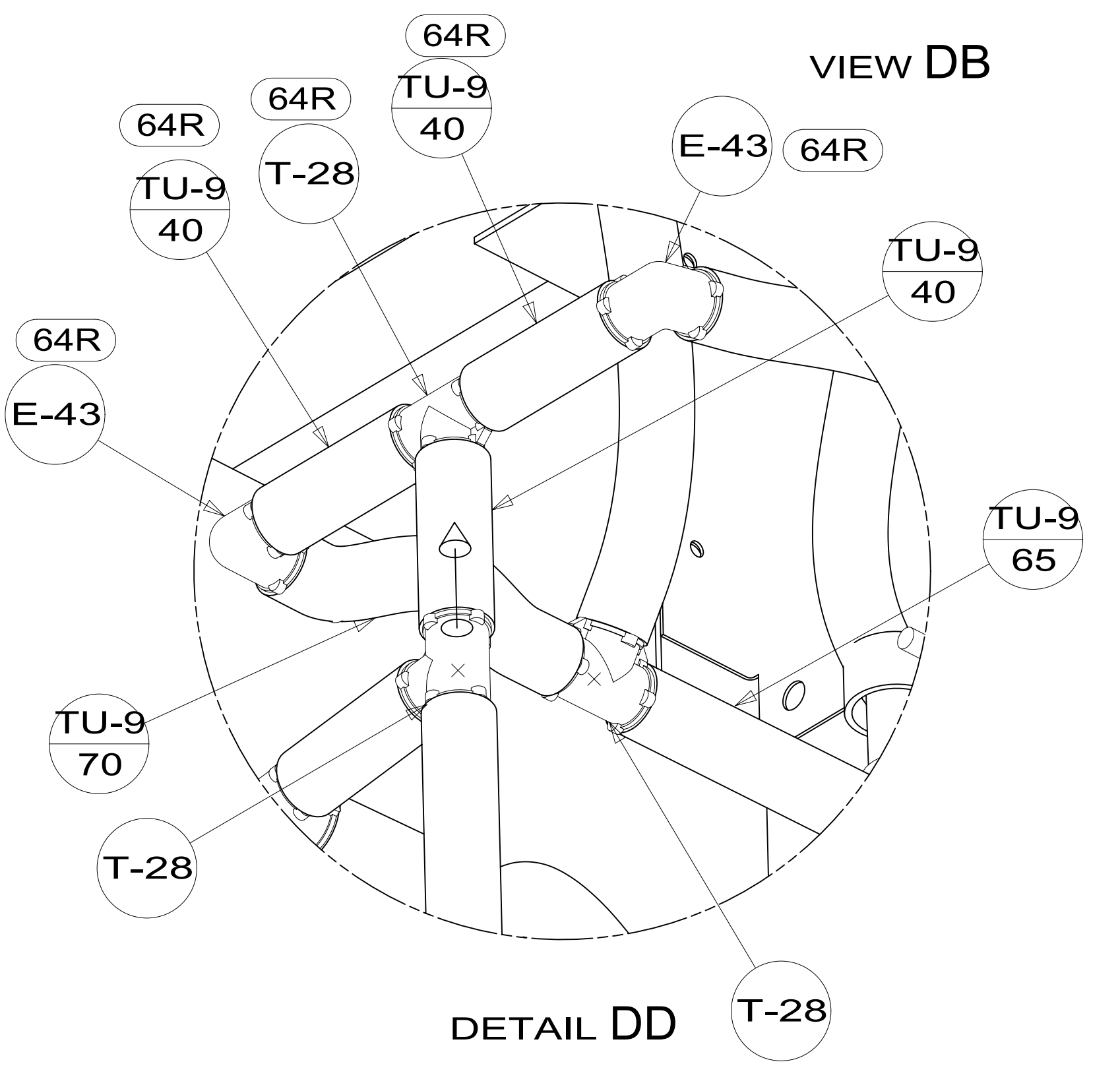
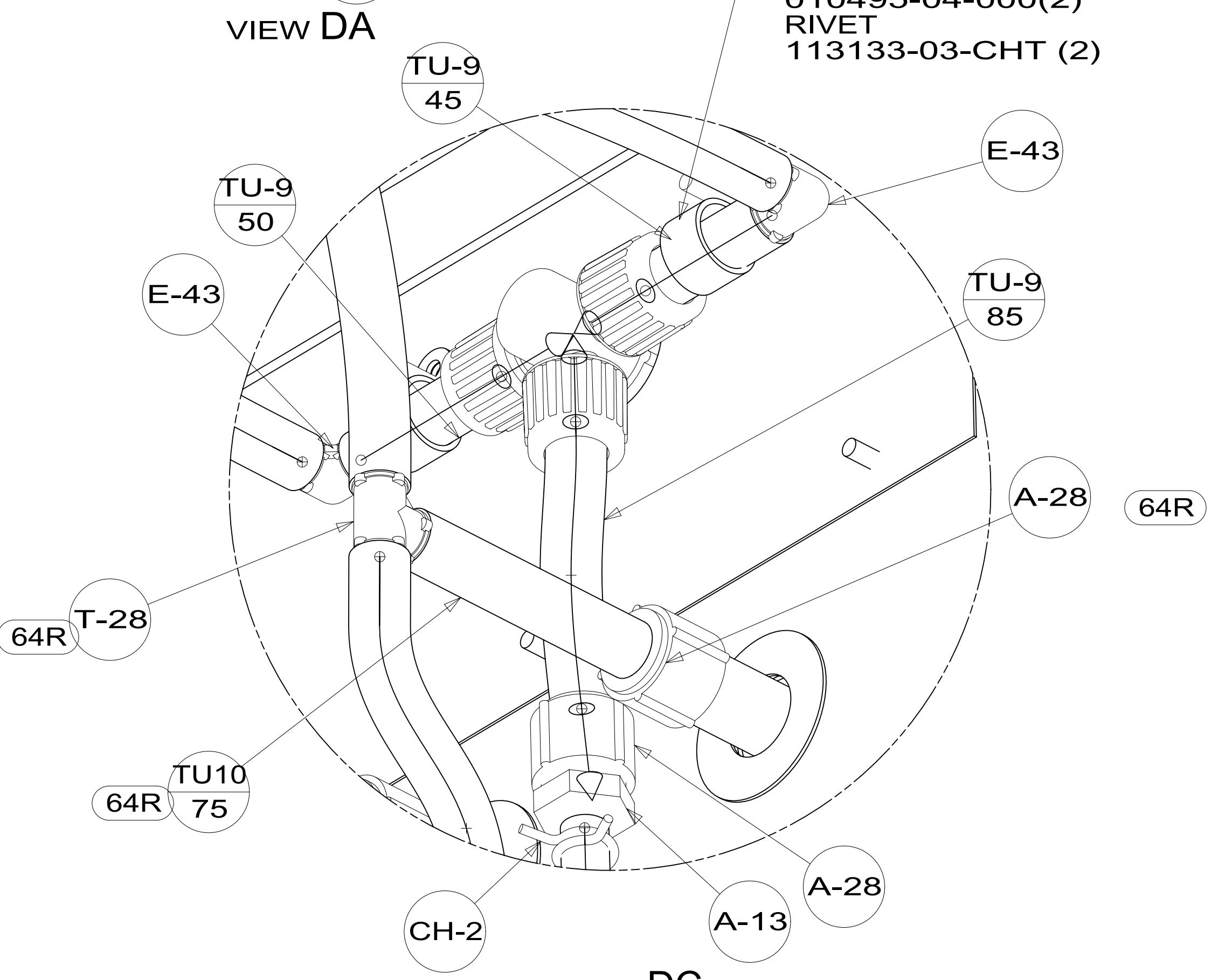
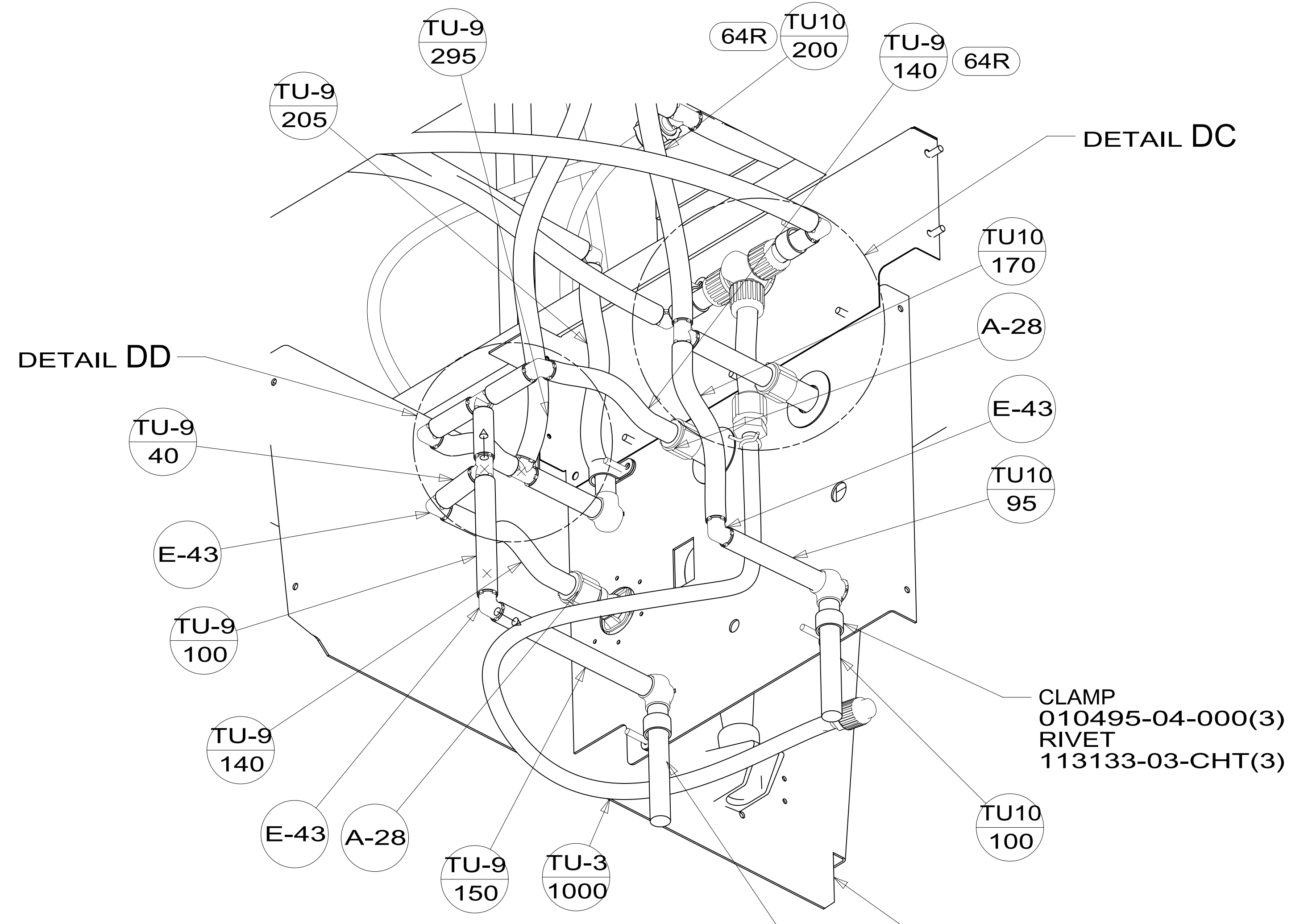
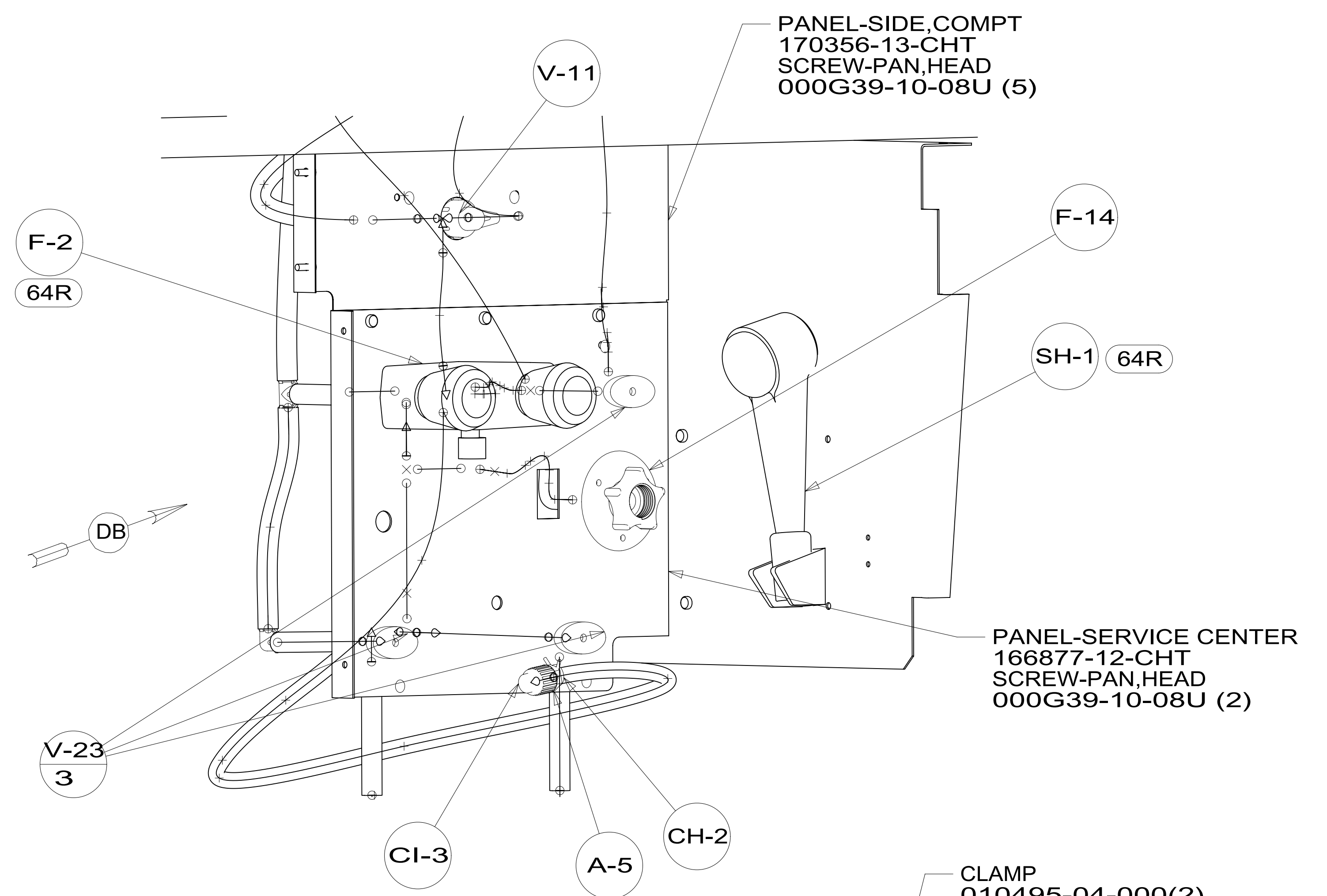
CLAMP  
010495-04-000(3)  
RIVET  
113133-03-CHT(3)

PANEL-ELECTRICAL  
151707-10-CHT

DETAIL DC

DETAIL DD

FIRST USED	15 H25P	
TITLE:	DO NOT SCALE DRAWING	
	WATER SYSTEM INSTL	
SHEET 4	PART NO	190363
	REV	
	1 22-Sep-2015	



\*190363\*