

9. SEE DRAWING 061607 FOR INSTALLATION OF GROMMETS.
8. SECURE DRAINAGE PIPES TO CABINET USING WIRE TIE 108046-02-000, AND SCREW 000G67-10-12U AT INTERVALS OF NOT OF NOT MORE THAN 4 FEET APART.
7. SECURE VENT PIPE TO TANK WITH CLAMP 062401-02-000.
6. VENT PIPE MUST PROJECT 51 MIN AND 64 MAX ABOVE ROOF FOR PROPER FIT AND FUNCTION. ADD S-1 (116666-01-CHT SEAL-VENT PIPE) AROUND PIPE ON ROOF BEFORE VENT CAP IS INSTALLED.
5. SEAL AROUND SHOWER WITH SILICONE.
4. USE SMOOTH PLUMBERS PUTTY 167459-01-000 TO SEAL STRAINER (0.2 PER STRAINER).
3. ALL PIPE AND FITTINGS TO BE ASSEMBLED WITH SOLVENT 004020-01-000 (USA), 004020-02-000 (CAN)
2. SLOPE OF TRAP ARM MUST BE 6 PER 305 mm.
1. SLOPE OF HORIZONTAL PIPING TO BE MINIMUM OF 3 PER 305 mm.

NOTES:

- 265 CODES/STDS-CSA/CMVSS
- 1B1 CODES/STANDARDS-USA

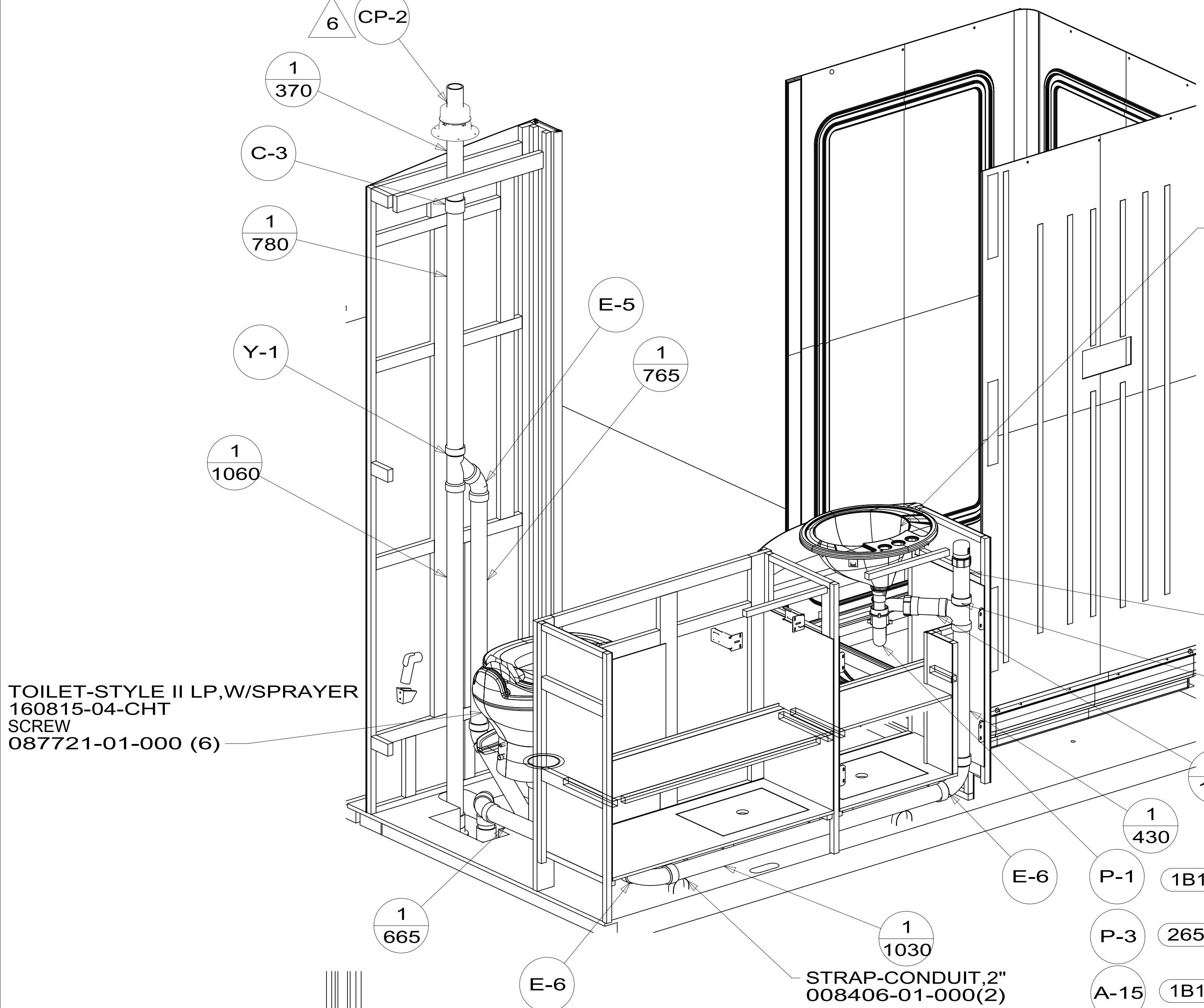
WINNEBAGO		COPYRIGHT 2014 WINNEBAGO INDUSTRIES, INC.	
DFT-ORIG	ORIG. DATE	ALL DIMENSIONS ARE IN MILLIMETERS	
CHKR			
P.E.			
M.E.	FIRST USED		
DSNR		15 E35B	
UNSPECIFIED TOLERANCES ARE:		MATERIAL:	
WHOLE DIM (X)	: 3		
ONE-PLACE (X.X)	:		
TWO-PLACE (X.XX)	:		
ANGLE	:		
THIRD ANGLE PROJECTION			
DO NOT SCALE DRAWING		REFER TO ES0018 FOR FASTENER TIGHTENING GUIDELINES	
TITLE: DRAINAGE SYSTEM INSTL			
SHEET 1 OF 4	PART NO	189012	REV
REF:	1	09-Jul-2015	

FOR
DRAINAGE
CALLOUTS
SEE DWG NO
116229-01-000

189012

- SHOWER INSTL-ENCLOSURE
- 174527-01-000
- STRAINER
- 066440-01-000
- TAILPIECE
- 011069-06-000
- RUBBER WASHER
- 127440-02-CHT
- NUT
- 130403-01-000

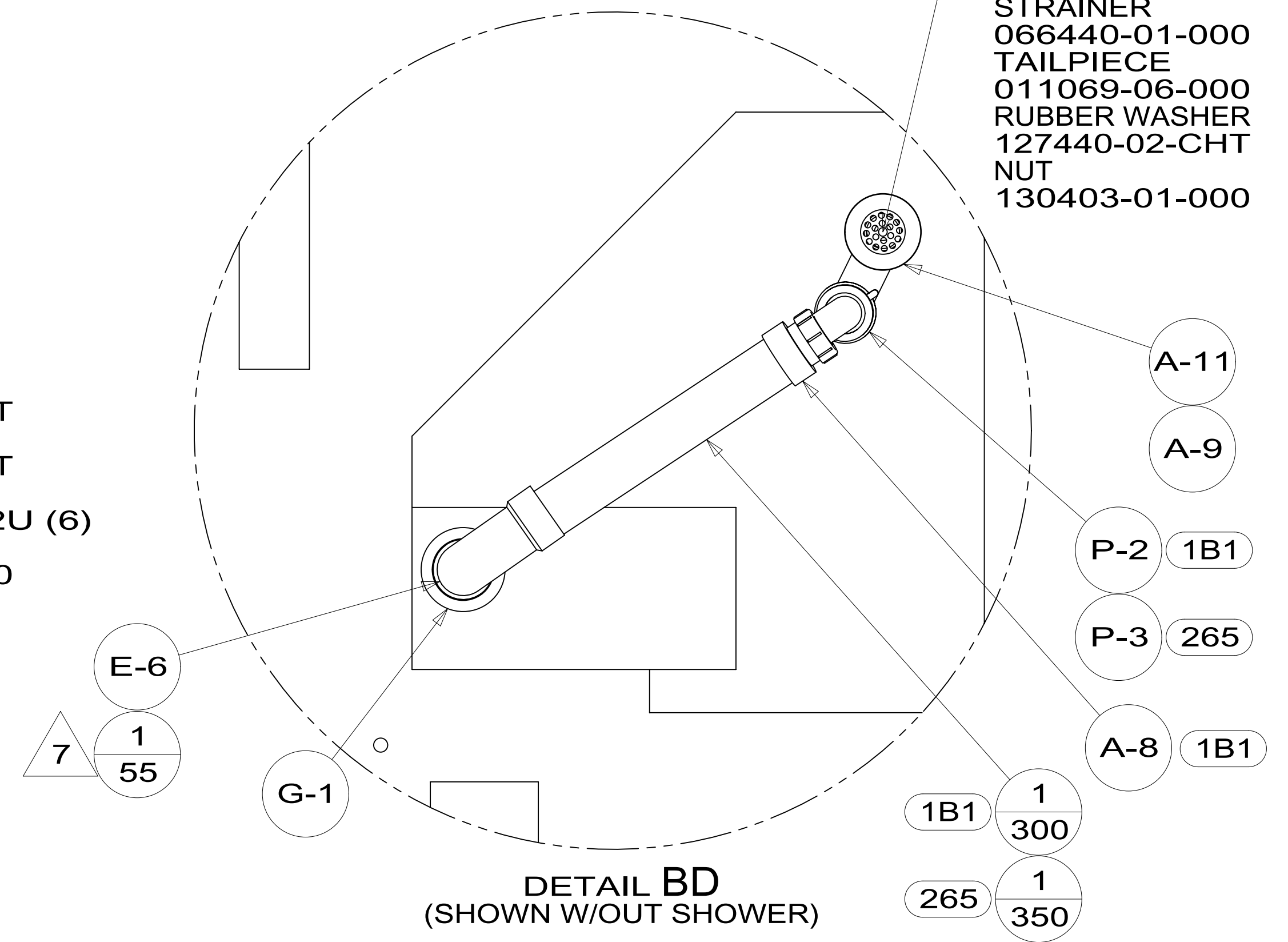
- SINK-LAV
- 164615-01-CHT
- STRAINER
- 106116-01-CHT
- SCREW
- 000G67-08-12U (6)
- SEAL
- 091255-03-000 (1300)



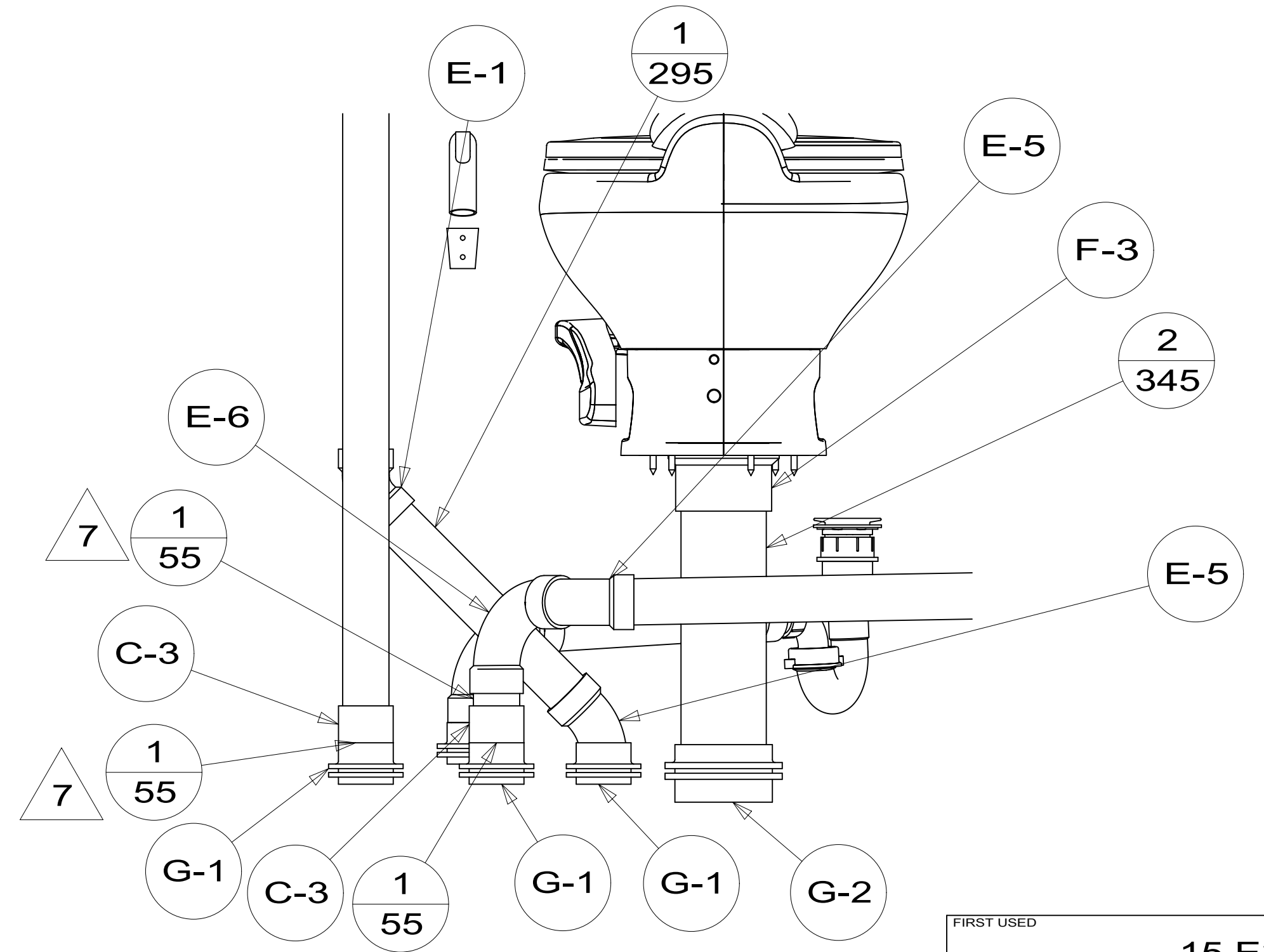
TOILET-STYLE II LP,W/SPRAYER
160815-04-CHT
SCREW
087721-01-000 (6)

STRAP-CONDUIT,2"
008406-01-000(2)

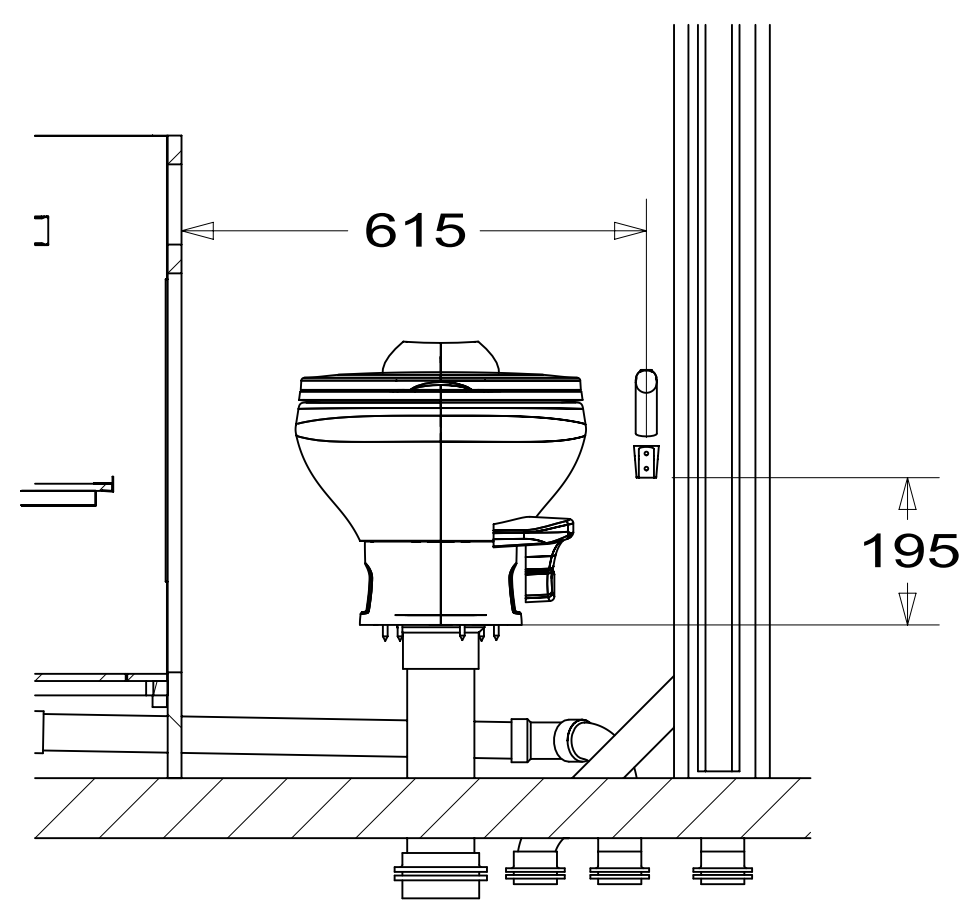
VIEW BA



DETAIL BD
(SHOWN W/OUT SHOWER)



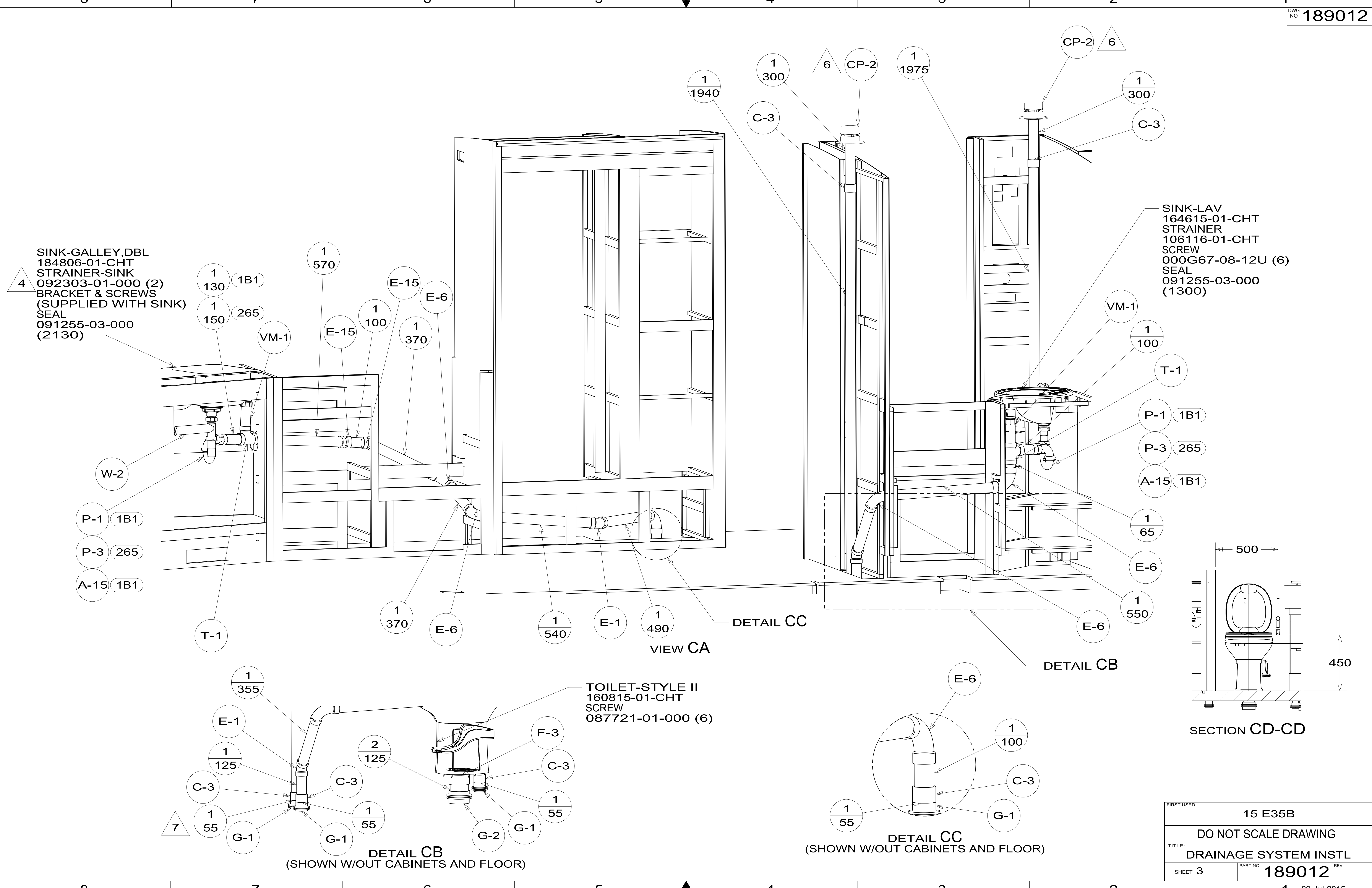
VIEW BB
(SHOWN W/OUT CABINETS AND FLOOR)



SECTION BC-BC

FIRST USED	15 E35B	
TITLE:	DO NOT SCALE DRAWING	
SHEET 2	PART NO	189012
	REV	09-Jul-2015

189012



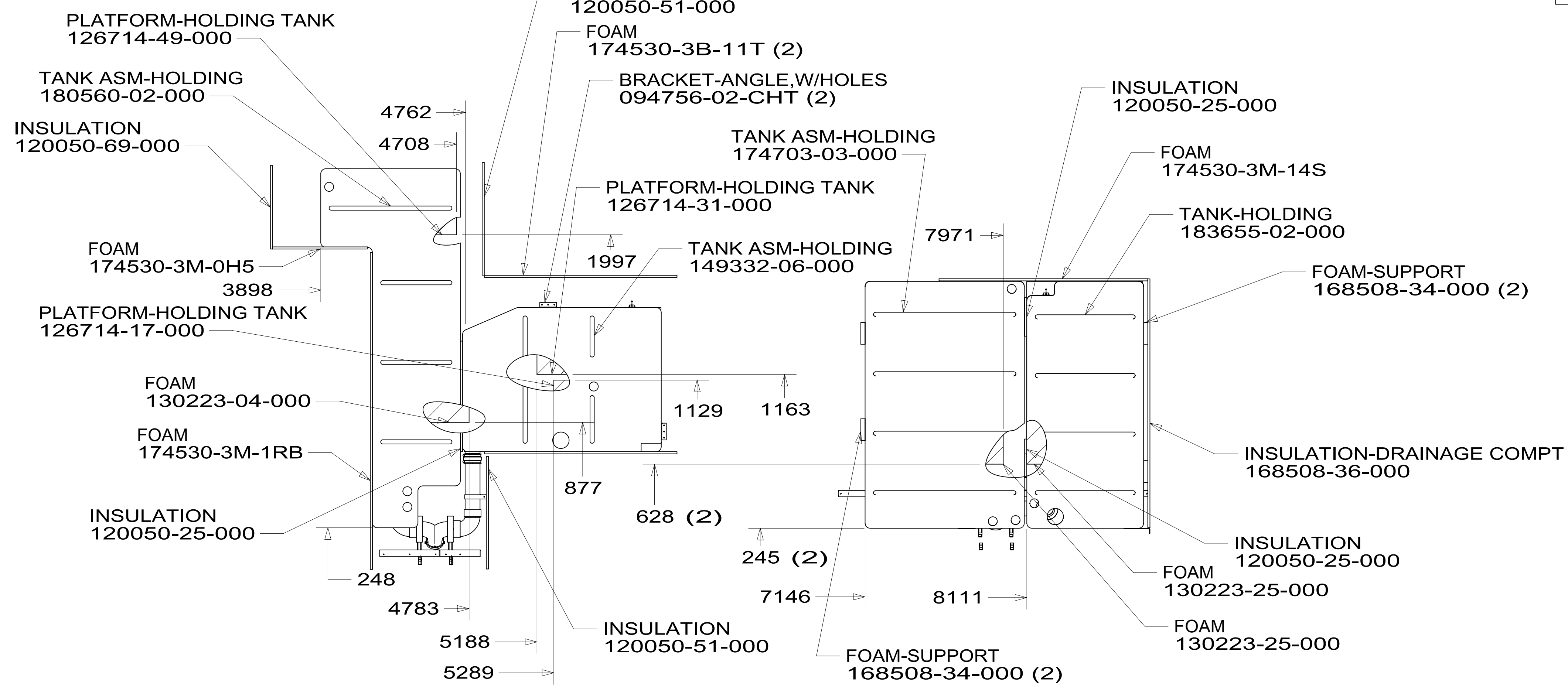
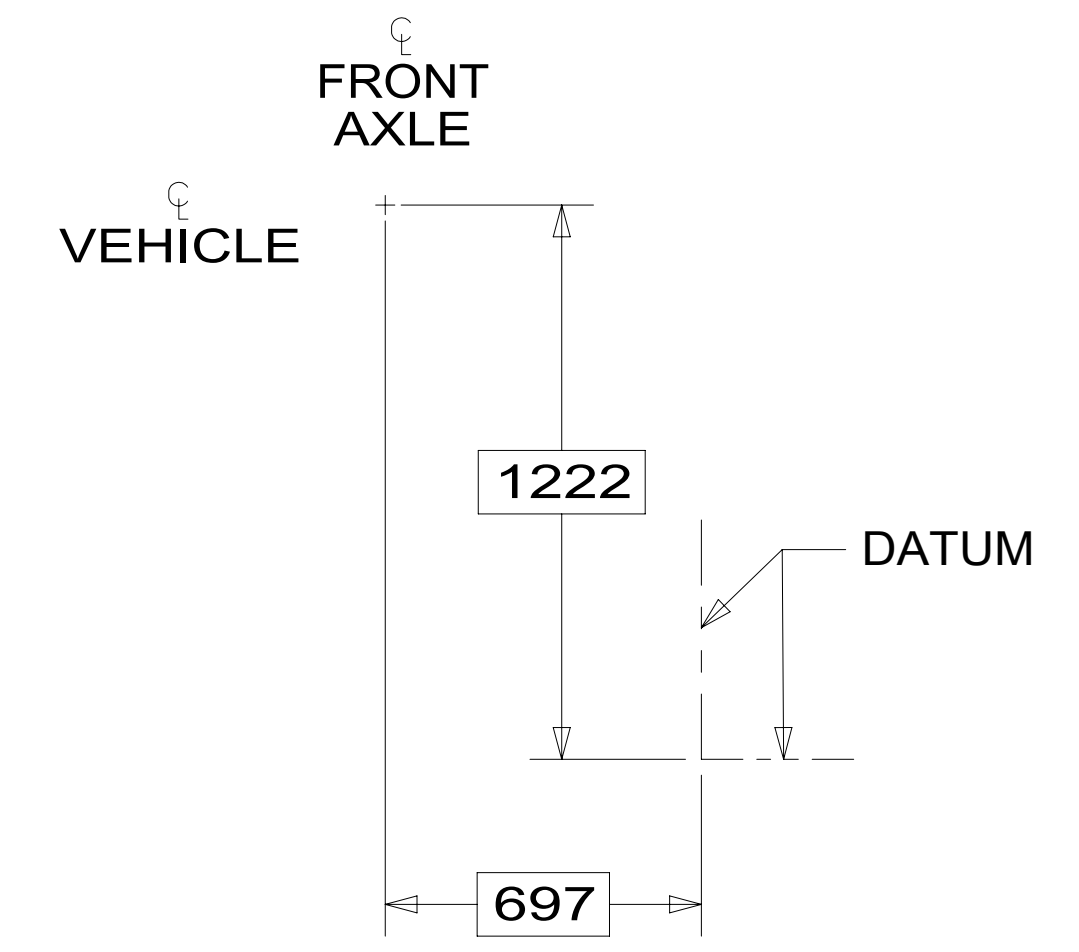
SINK-GALLEY, DBL
184806-01-CHT
STRAINER-SINK
092303-01-000 (2)
BRACKET & SCREWS
(SUPPLIED WITH SINK)
SEAL
091255-03-000
(2130)

SINK-LAV
164615-01-CHT
STRAINER
106116-01-CHT
SCREW
000G67-08-12U (6)
SEAL
091255-03-000
(1300)

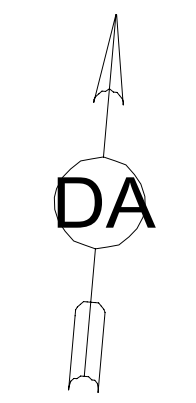
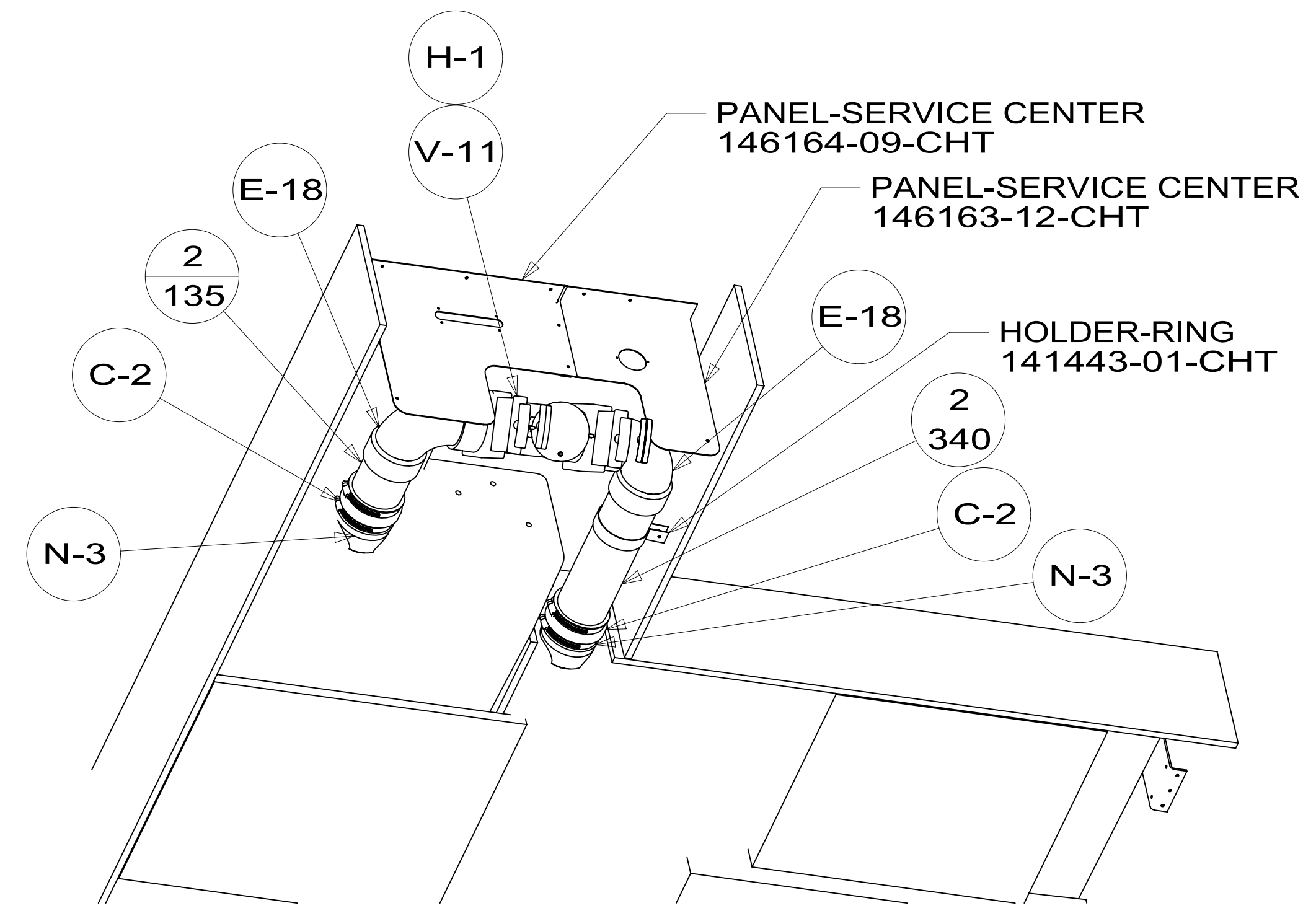
TOILET-STYLE II
160815-01-CHT
SCREW
087721-01-000 (6)

FIRST USED	15 E35B	
DO NOT SCALE DRAWING		
TITLE: DRAINAGE SYSTEM INSTL		
SHEET 3	PART NO 189012	REV
		09-Jul-2015

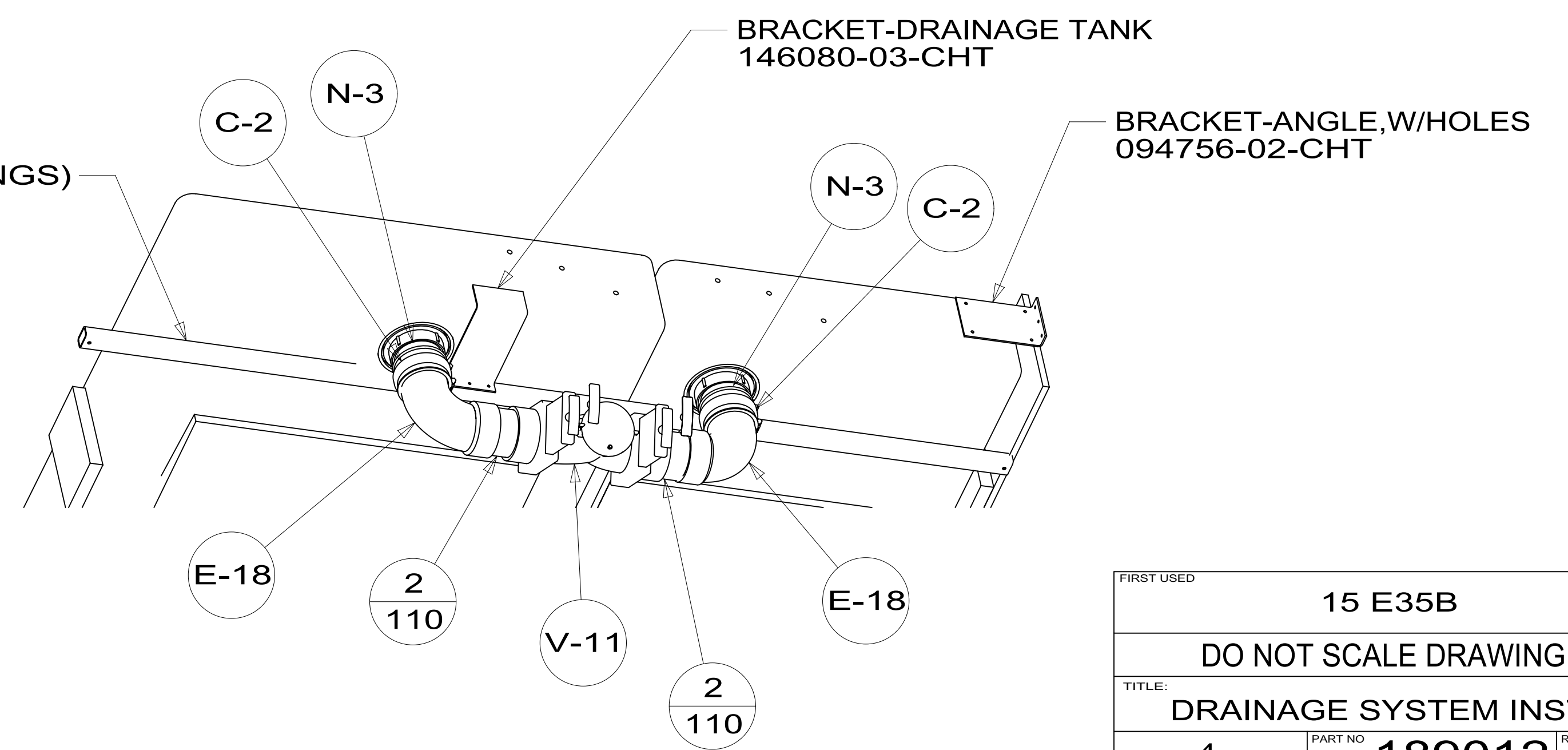
189012



TOP VIEW SHOWING TANKS AND DRAINS

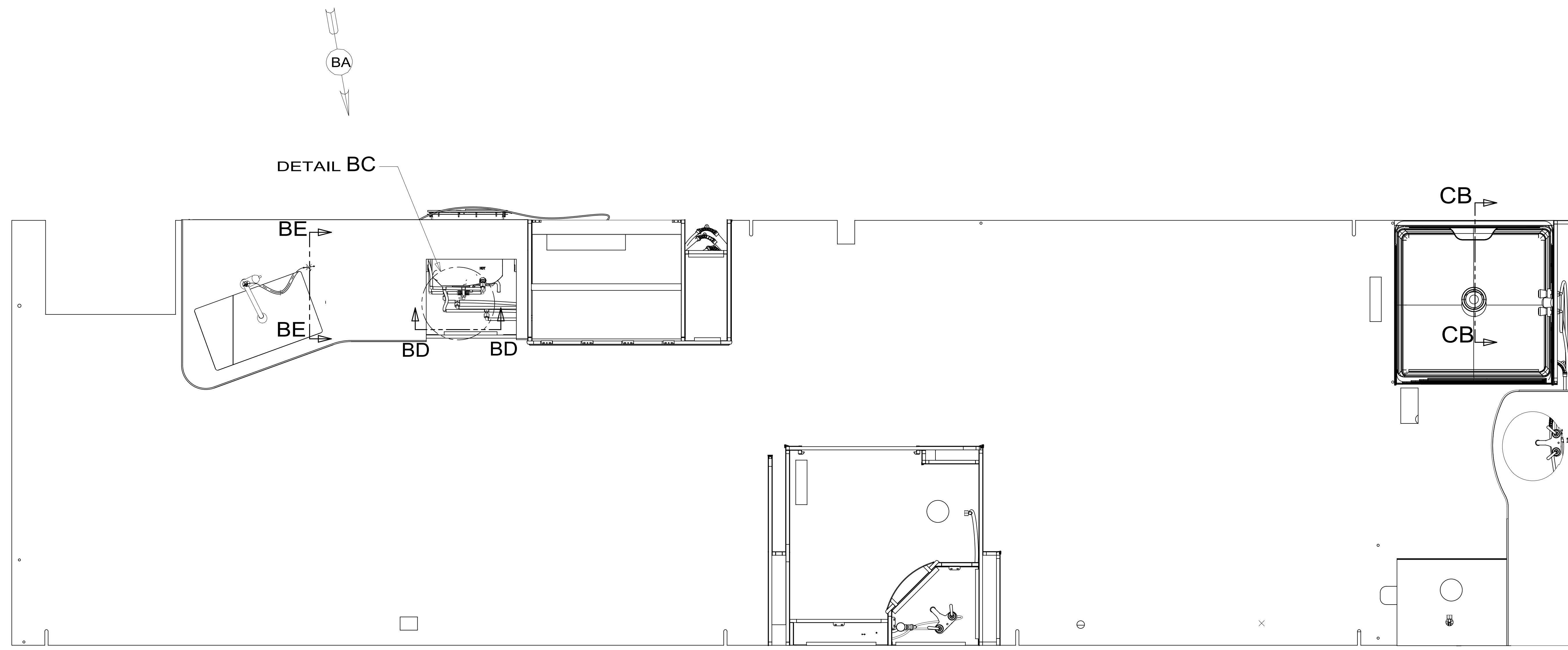


VIEW DA



FIRST USED	15 E35B	
DO NOT SCALE DRAWING		
TITLE: DRAINAGE SYSTEM INSTL		
SHEET 4	PART NO 189012	REV
		1 09-Jul-2015

189012



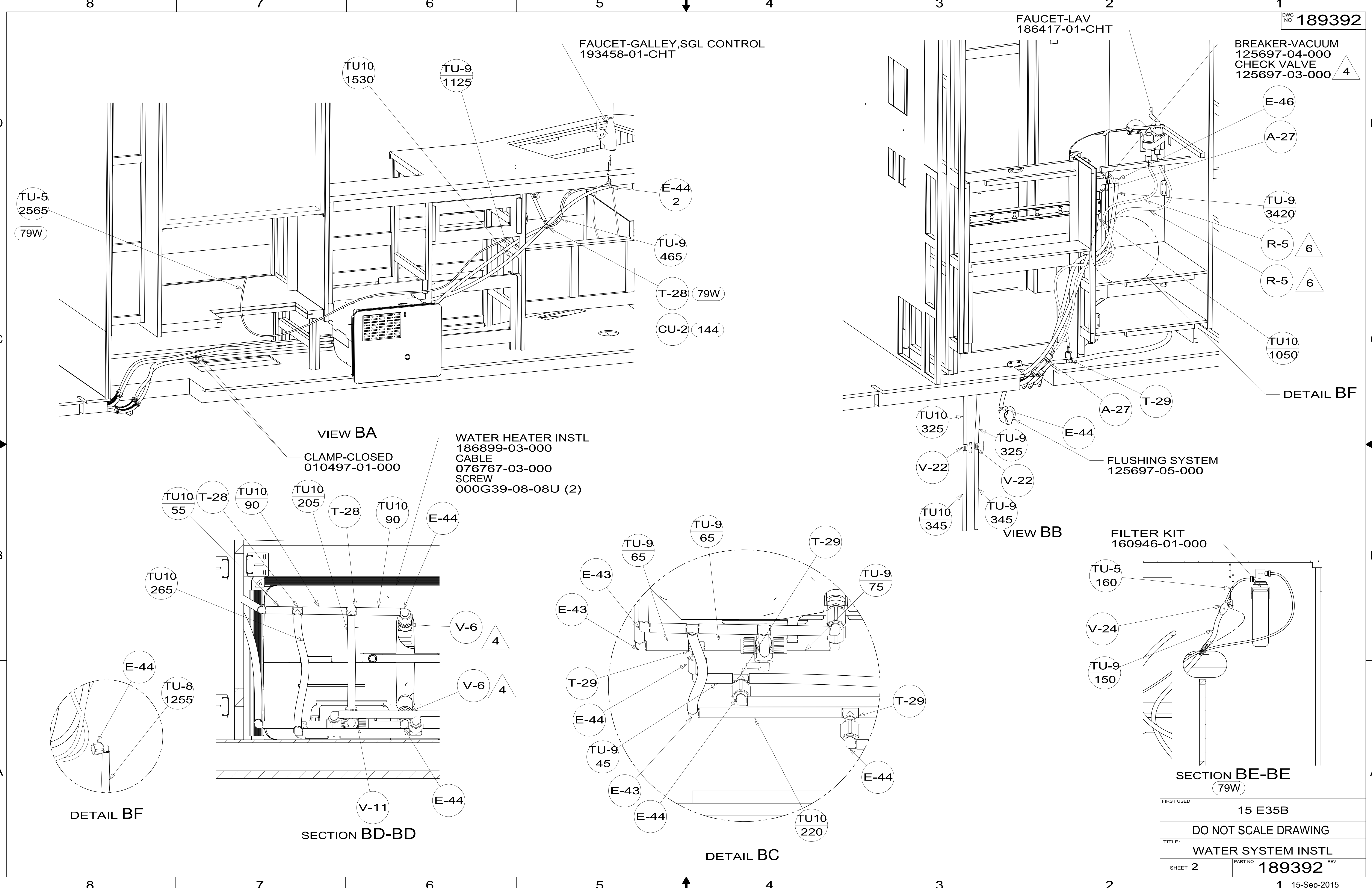
- NOTES:
9. FLUSHING SYSTEM REQUIRES 125697-06-000 INSTRUCTION SHEET.
 8. ALL CRIMP FITTINGS TO PEX TUBING REQUIRE 1/2" CLAMP 140171-03-000.
 7. ALL CRIMP FITTINGS TO PEX TUBING REQUIRE 5/8" CLAMP 140171-04-000.
 6. LABEL HOT AND COLD SUPPLY TUBES AND TAPE FITTING TO TUBE BEFORE CABINET SET TO PREVENT MOVEMENT.
 5. ADD PIPE WRAP (LADDER SCRAP 110157-02-000) INSULATION.
 4. ADD TEFLON TAPE 010405-02-000.
 3. ALL TUBING TO BE SECURED AT 1200 INTERVALS MAXIMUM WITH CLAMP 010495-01-000 AND SCREW 000G67-10-12U OR EQUIVALENT.
 2. TUBING TO BE INSTALLED WITH SUFFICIENT SLOPE TO PROVIDE DRAINAGE TO NEAREST VALVE.
 1. PLASTIC FITTINGS TO BE SEALED WITH SEALANT 084456-01-000.

79W REFRIGERATOR-4 DOOR
 144 REFRIGERATOR-DOUBLE DOOR

		COPYRIGHT 2014 WINNEBAGO INDUSTRIES, INC.
DFTR	ORIG. DATE	
CHKR	ALL DIMENSIONS ARE IN MILLIMETERS	
P.E.		
M.E.	FIRST USED	
DSNR	15 E35B	
UNSPECIFIED TOLERANCES ARE:		
WHOLE DIM (X)	: 3	
ONE-PLACE (X.X)	: 1.5	
TWO-PLACE (X.XX)	: 0.50	
ANGLE	: 1°	
THIRD ANGLE PROJECTION		
DO NOT SCALE DRAWING	REFER TO ES0018 FOR FASTENER TIGHTENING GUIDELINES	
TITLE: WATER SYSTEM INSTL		
SHEET 1 OF 5	PART NO	189392
REF:	1	15-Sep-2015

FOR WATER CALLOUTS SEE DWG NO 116230-01-000

189392



FIRST USED	15 E35B
DO NOT SCALE DRAWING	
TITLE: WATER SYSTEM INSTL	
SHEET 2	PART NO 189392 REV
1 15-Sep-2015	

189392

8

7

6

5

4

3

2

1

FAUCET-LAV
186417-01-CHT

E-44 4

E-44 4

TU10
2000

TU-9
2000

BREAKER-VACUUM
125697-04-000
CHECK VALVE
125697-03-000 4

E-46

R-5 6

R-5 6

TO TOILET

E-44

TU-8
960

A-27

TU-9
1720

TU10
2645

S-1

PANEL-SHOWER
167738-02-CHT

446

SH-1

1465

F-2

CLAMP-CLOSED
010497-01-000

TU10
2385

TU-9
2230

VIEW CA

DETAIL CC

E-46

TU-9
40

TU10
40

S-1

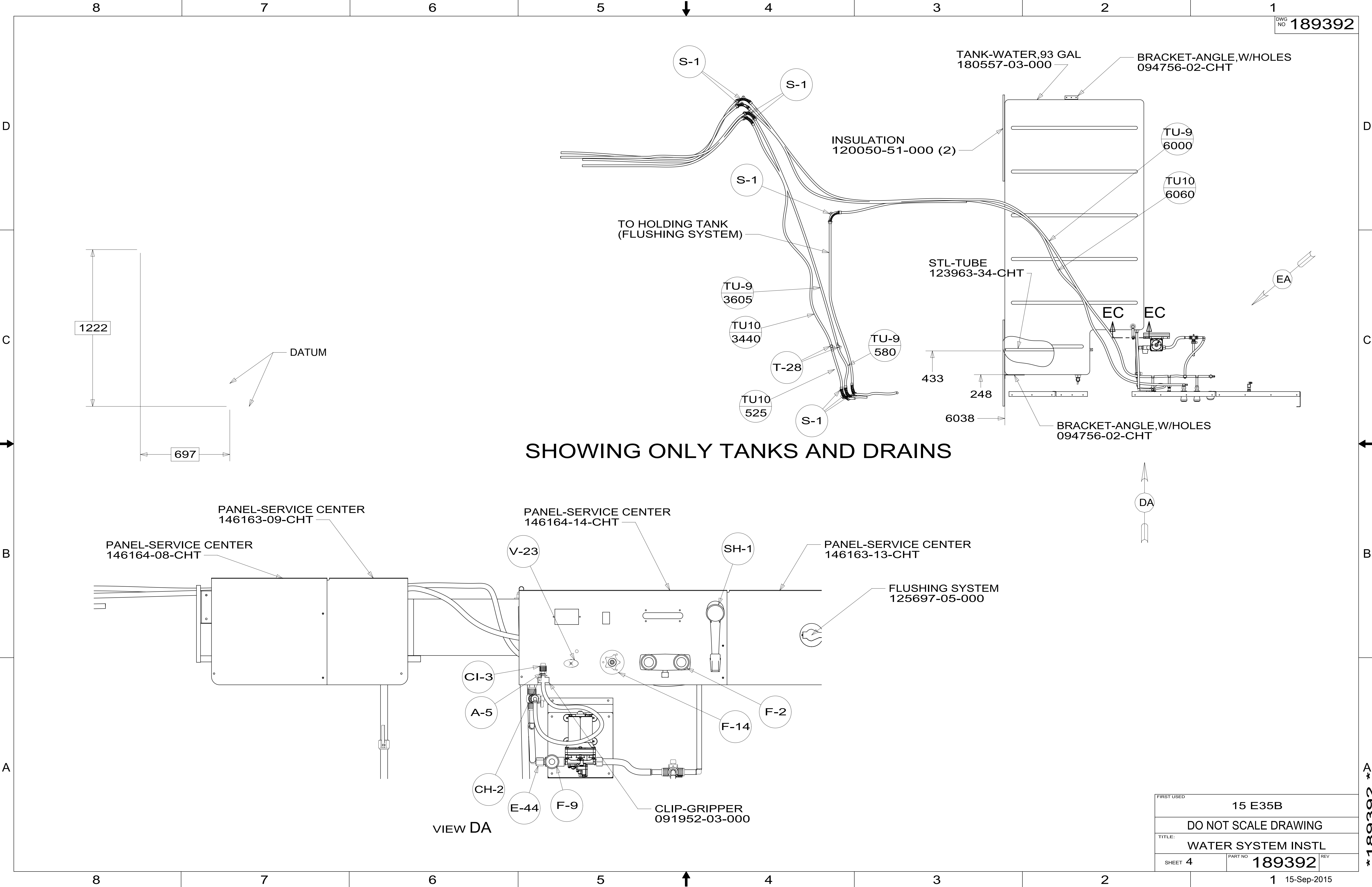
T-28

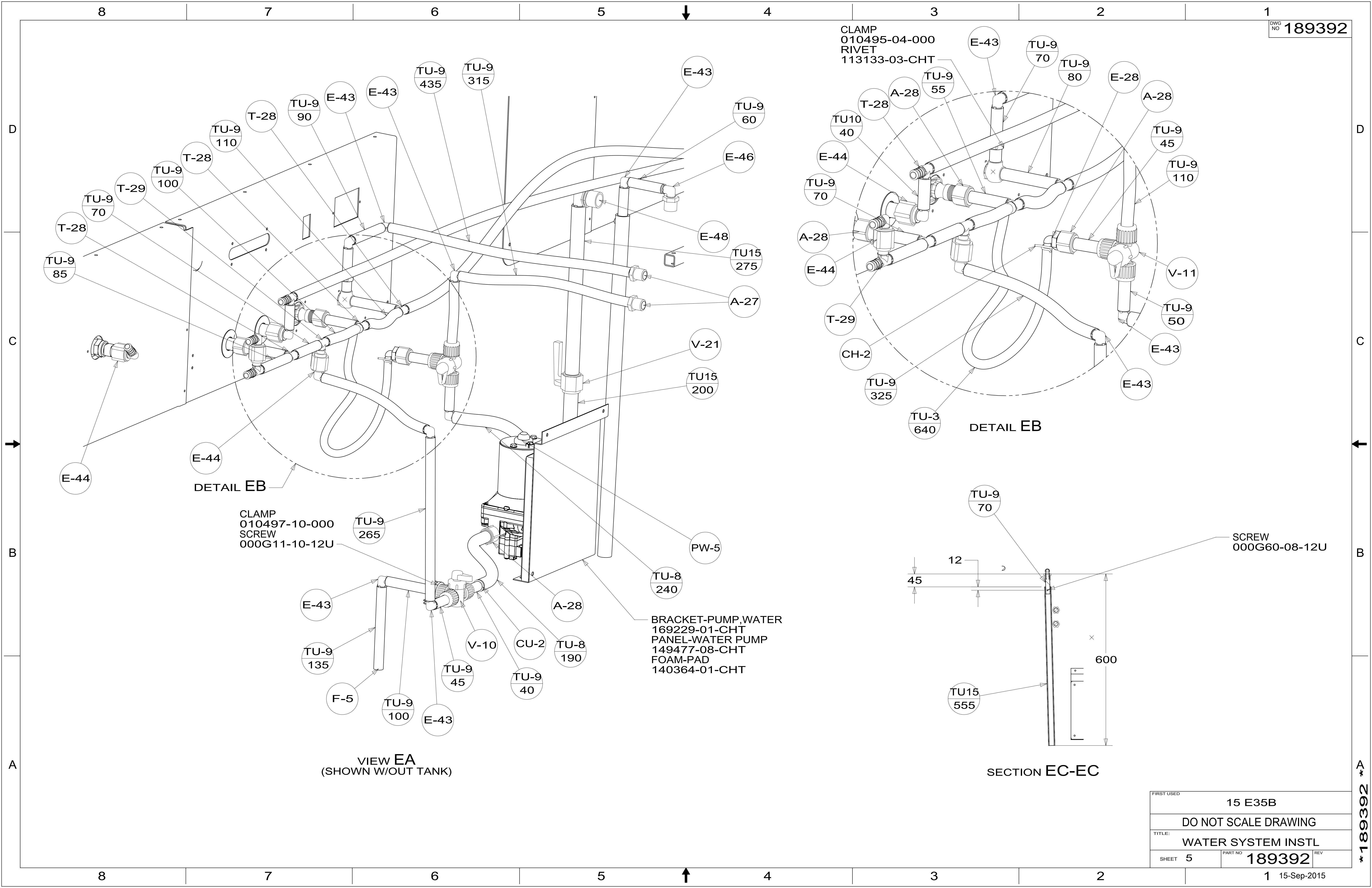
DETAIL CC
(SHOWN W/OUT CABINETS & FLOOR)

SECTION CB-CB

FIRST USED	15 E35B	
TITLE:	DO NOT SCALE DRAWING	
	WATER SYSTEM INSTL	
SHEET 3	PART NO 189392	REV
	1	15-Sep-2015

189392





CLAMP
010495-04-000
RIVET
113133-03-CHT

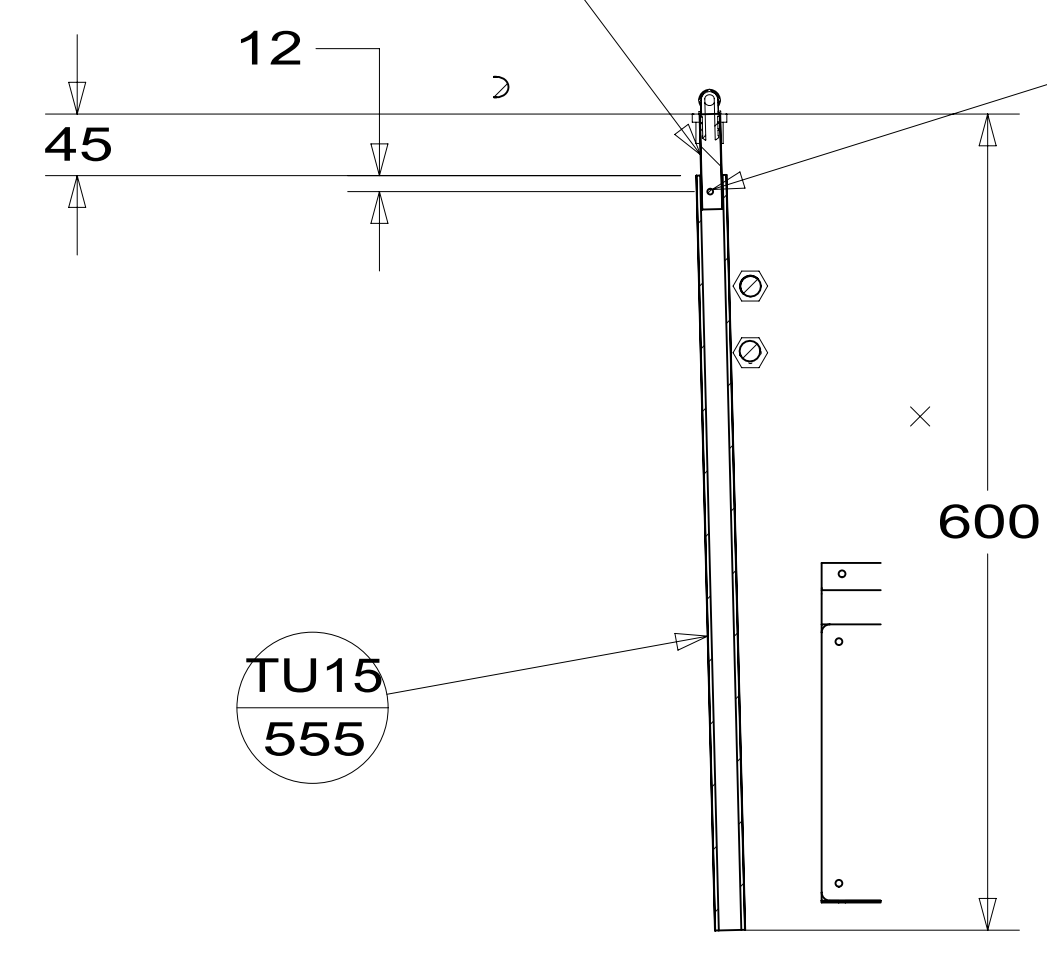
CLAMP
010497-10-000
SCREW
000G11-10-12U

BRACKET-PUMP, WATER
169229-01-CHT
PANEL-WATER PUMP
149477-08-CHT
FOAM-PAD
140364-01-CHT

VIEW EA
(SHOWN W/OUT TANK)

DETAIL EB

SECTION EC-EC



FIRST USED	15 E35B		
TITLE:	DO NOT SCALE DRAWING		
	WATER SYSTEM INSTL		
SHEET 5	PART NO	189392	REV

*189392