

FRONT  
OF  
COACH

9. SEE DRAWING 061607 FOR INSTALLATION OF GROMMETS.
8. SECURE DRAINAGE PIPES TO CABINET USING WIRE TIE 108046-02-000, AND SCREW 000G67-10-12U AT INTERVALS OF NOT OF NOT MORE THAN 4 FEET APART.
7. SECURE VENT PIPE TO TANK WITH CLAMP 062401-02-000.
6. VENT PIPE MUST PROJECT 51 MIN AND 64 MAX ABOVE ROOF FOR PROPER FIT AND FUNCTION. ADD S-1 (116666-01-CHT SEAL-VENT PIPE) AROUND PIPE ON ROOF BEFORE VENT CAP IS INSTALLED.
5. SEAL AROUND SHOWER WITH SILICONE.
4. USE SMOOTH PLUMBERS PUTTY 167459-01-000 TO SEAL STRAINER (0.2 PER STRAINER).
3. ALL PIPE AND FITTINGS TO BE ASSEMBLED WITH SOLVENT 004020-01-000 (USA), 004020-02-000 (CAN)
2. SLOPE OF TRAP ARM MUST BE 6 PER 305 mm.
1. SLOPE OF HORIZONTAL PIPING TO BE MINIMUM OF 3 PER 305 mm.

NOTES:

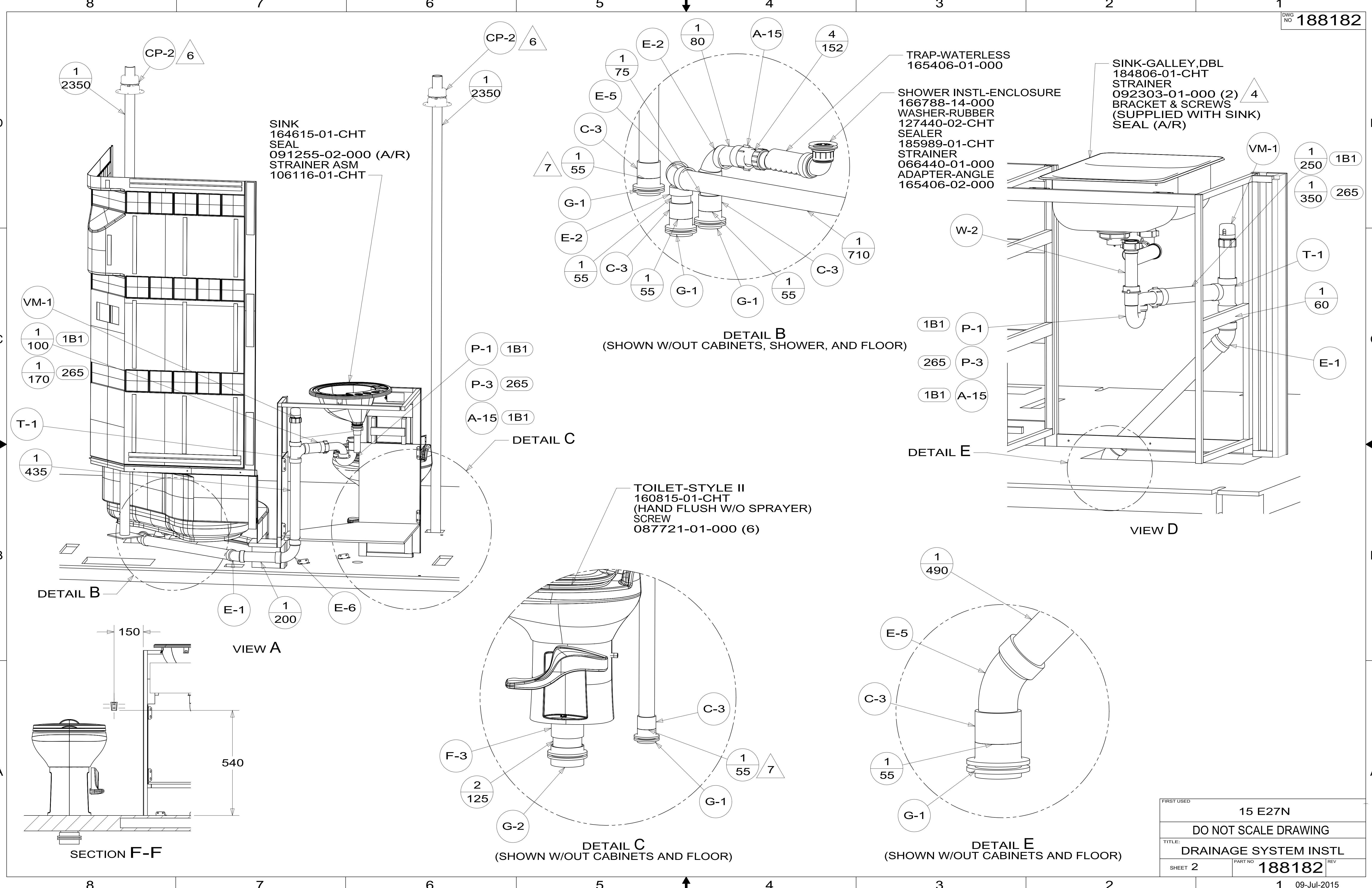
- 265 CODES/STDS-CSA/CMVSS
- 1B1 CODES/STANDARDS-USA

**WINNEBAGO** INDUSTRIES, INC. COPYRIGHT 2014

DFTR	ORIG. DATE
CHKR	ALL DIMENSIONS ARE IN MILLIMETERS
P.E.	
M.E.	FIRST USED
DSNR	15 E27N
UNSPECIFIED TOLERANCES ARE:	
WHOLE DIM (X)	: 3
ONE-PLACE (X.X)	:
TWO-PLACE (X.XX)	:
ANGLE	:
THIRD ANGLE PROJECTION	
DO NOT SCALE DRAWING	REFER TO ES0018 FOR FASTENER TIGHTENING GUIDELINES
TITLE: DRAINAGE SYSTEM INSTL	
SHEET 1 OF 3	PART NO 188182 REV
REF:	1 09-Jul-2015

FOR DRAINAGE CALLOUTS SEE DWG NO 116229-01-000

\*188182\*



SINK  
164615-01-CHT  
SEAL  
091255-02-000 (A/R)  
STRAINER ASM  
106116-01-CHT

TRAP-WATERLESS  
165406-01-000

SHOWER INSTL-ENCLOSURE  
166788-14-000  
WASHER-RUBBER  
127440-02-CHT  
SEALER  
185989-01-CHT  
STRAINER  
066440-01-000  
ADAPTER-ANGLE  
165406-02-000

SINK-GALLEY, DBL  
184806-01-CHT  
STRAINER  
092303-01-000 (2)  
BRACKET & SCREWS  
(SUPPLIED WITH SINK)  
SEAL (A/R)

DETAIL B  
(SHOWN W/OUT CABINETS, SHOWER, AND FLOOR)

DETAIL C

TOILET-STYLE II  
160815-01-CHT  
(HAND FLUSH W/O SPRAYER)  
SCREW  
087721-01-000 (6)

DETAIL C  
(SHOWN W/OUT CABINETS AND FLOOR)

DETAIL E  
(SHOWN W/OUT CABINETS AND FLOOR)

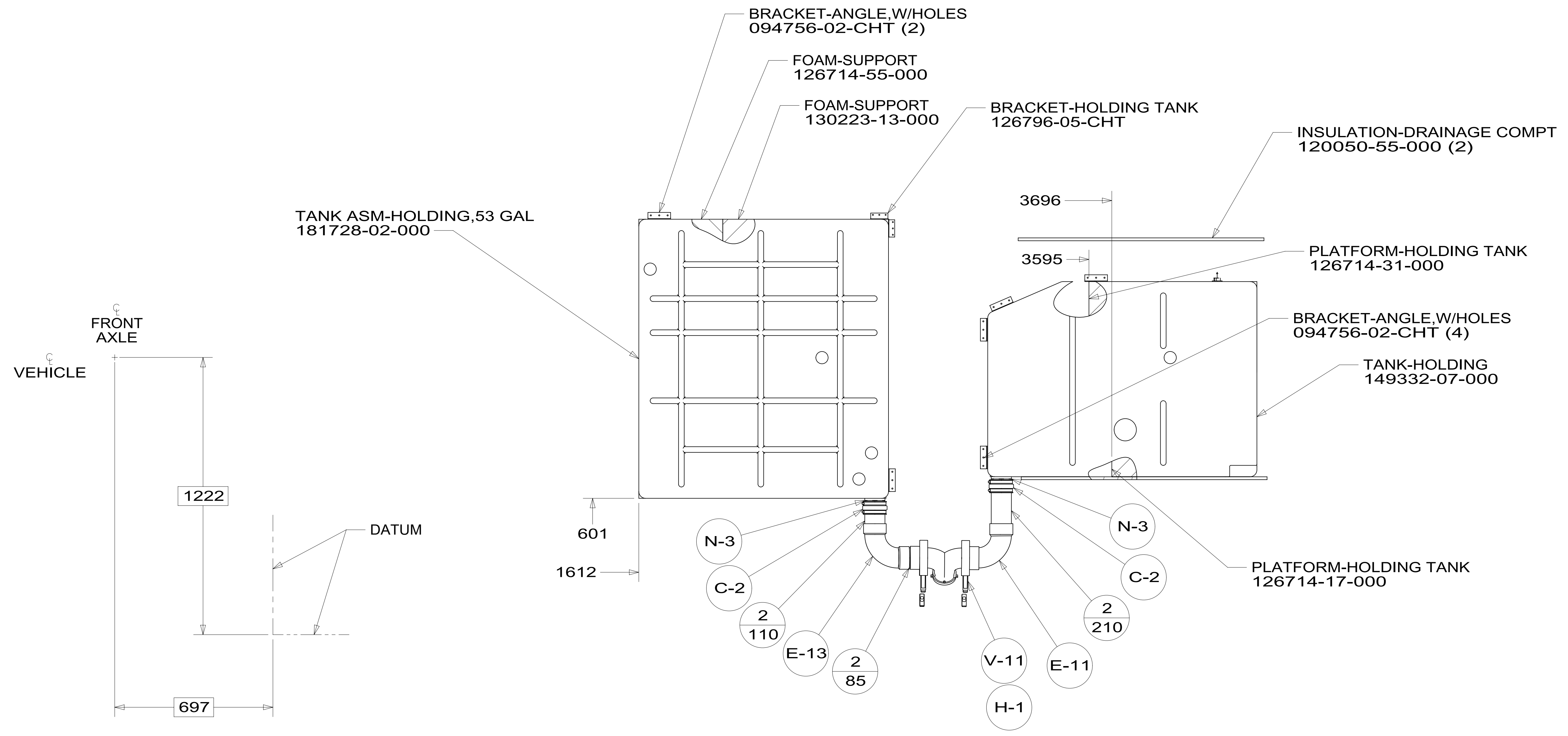
VIEW A

VIEW D

SECTION F-F

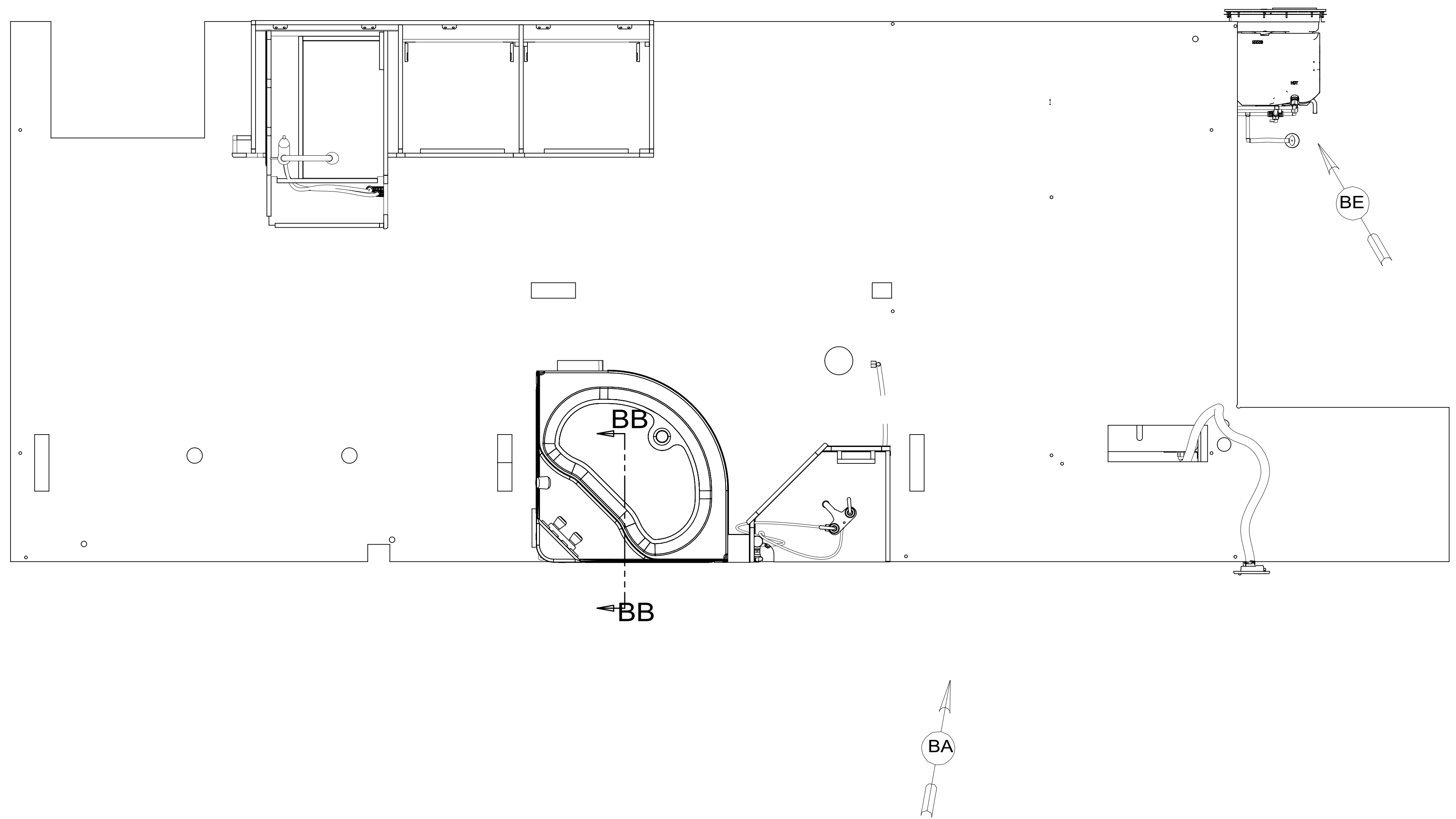
FIRST USED	15 E27N	
TITLE:	DO NOT SCALE DRAWING	
TITLE:	DRAINAGE SYSTEM INSTL	
SHEET 2	PART NO	188182
	REV	1
		09-Jul-2015

\*188182\*



FIRST USED	15 E27N		
DO NOT SCALE DRAWING			
TITLE: DRAINAGE SYSTEM INSTL			
SHEET 3	PART NO	188182	REV
		1	09-Jul-2015

\*188182\*



- 8. ALL CRIMP FITTINGS TO PEX TUBING REQUIRE 1/2" CLAMP 140171-03-000.
- 7. ALL CRIMP FITTINGS TO PEX TUBING REQUIRE 5/8" CLAMP 140171-04-000.
- 6 LABEL HOT AND COLD SUPPLY TUBES AND TAPE FITTING TO TUBE BEFORE CABINET SET TO PREVENT MOVEMENT.
- 5 ADD PIPE WRAP (LADDER SCRAP 110157-02-000) INSULATION.
- 4 ADD TEFLON TAPE 010405-02-000.
- 3. ALL TUBING TO BE SECURED AT 1200 INTERVALS MAXIMUM WITH CLAMP 010495-01-000 AND SCREW 000G67-10-12U OR EQUIVALENT.
- 2. TUBING TO BE INSTALLED WITH SUFFICIENT SLOPE TO PROVIDE DRAINAGE TO NEAREST VALVE.
- 1. PLASTIC FITTINGS TO BE SEALED WITH SEALANT 084456-01-000.

NOTES:

53D WTR HTR-6GAL/ELE/LP/MOTORAID

		COPYRIGHT 2014 WINNEBAGO INDUSTRIES, INC.
DFTR	ORIG. DATE	
CHKR	ALL DIMENSIONS ARE IN MILLIMETERS	
P.E.		
M.E.	FIRST USED	
DSNR	15 E27N	
UNSPECIFIED TOLERANCES ARE:		MATERIAL:
WHOLE DIM (X)	: 3	
ONE-PLACE (X.X)	: 1.5	
TWO-PLACE (X.XX)	: 0.50	
ANGLE	: 1°	
THIRD ANGLE PROJECTION		
DO NOT SCALE DRAWING	REFER TO ES0018 FOR FASTENER TIGHTENING GUIDELINES	
TITLE: WATER SYSTEM INSTL		
SHEET 1 OF 3	PART NO 188181	REV
REF:	1	14-Jul-2015

FOR WATER CALLOUTS SEE DWG NO 116230-01-000

\*188181\*A





