

FRONT OF COACH

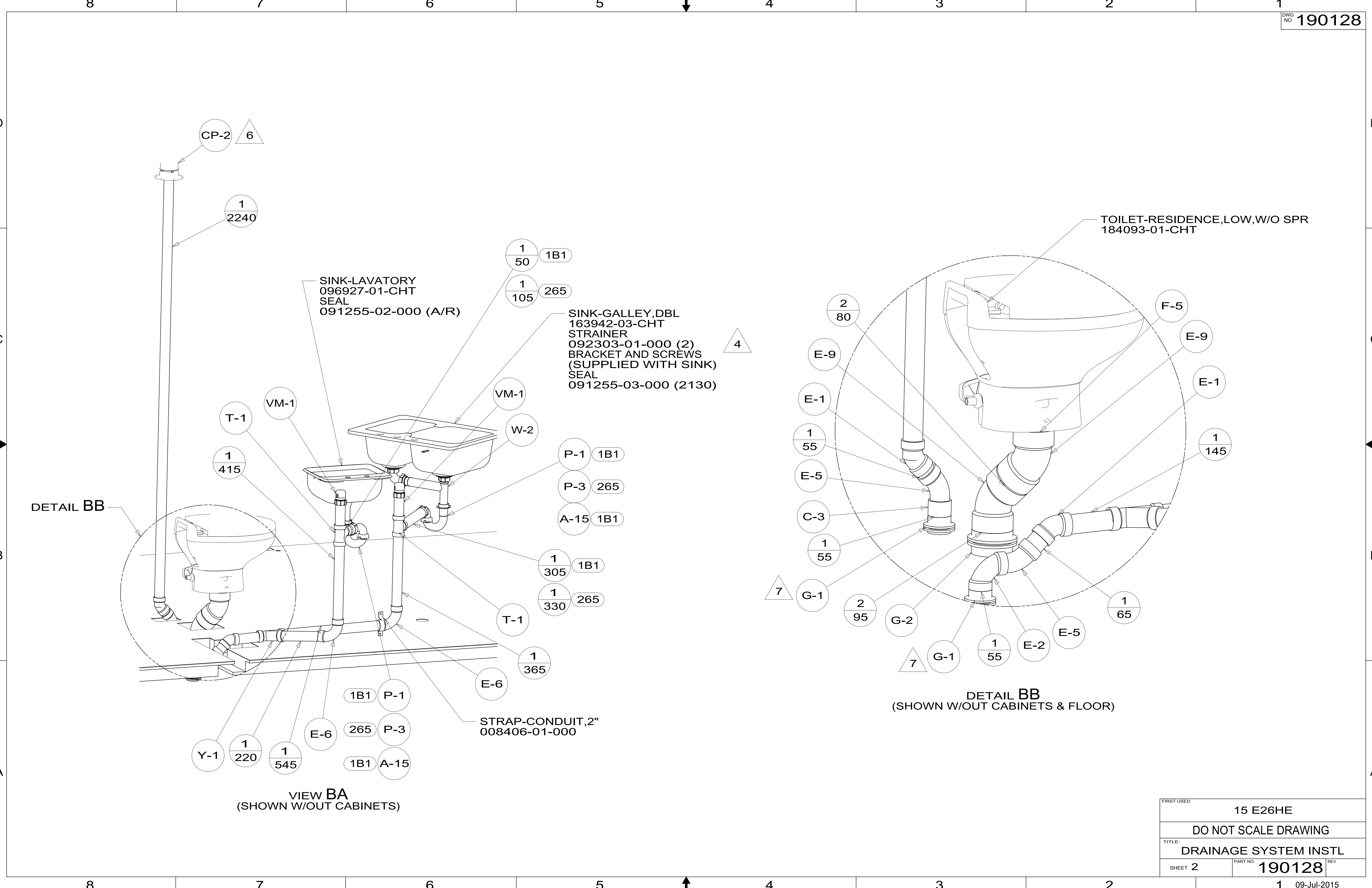
- 10. VALVE TERMINATION TEE TO BE POSITIONED AT 10° DOWN AND OUTBOARD.
- 9. SEE DRAWING 061607 FOR INSTALLATION OF GROMMETS.
- 8. SECURE DRAINAGE PIPES TO CABINET USING WIRE TIE 108046-02-000, AND SCREW 000G67-10-12U AT INTERVALS OF NOT OF NOT MORE THAN 4 FEET APART.
- 7. SECURE VENT PIPE TO TANK WITH CLAMP 062401-02-000.
- 6. VENT PIPE MUST PROJECT 51 MIN AND 64 MAX ABOVE ROOF FOR PROPER FIT AND FUNCTION. ADD S-1 (116666-01-CHT SEAL-VENT PIPE) AROUND PIPE ON ROOF BEFORE VENT CAP IS INSTALLED.
- 5. SEAL AROUND SHOWER WITH SILICONE.
- 4. USE SMOOTH PLUMBERS PUTTY 167459-01-000 TO SEAL STRAINER (0.2 PER STRAINER).
- 3. ALL PIPE AND FITTINGS TO BE ASSEMBLED WITH SOLVENT 004020-01-000 (USA), 004020-02-000 (CAN)
- 2. SLOPE OF TRAP ARM MUST BE 6 PER 305 mm.
- 1. SLOPE OF HORIZONTAL PIPING TO BE MINIMUM OF 3 PER 305 mm.

1B1 CODES/STANDARDS USA  
265 CODES/STANDARDS-CSA/CMVSS

		COPYRIGHT 2014 WINNEBAGO INDUSTRIES, INC.
DFT-ORIG	ORIG. DATE	
CHKR	ALL DIMENSIONS ARE IN MILLIMETERS	
P.E.		
M.E.	FIRST USED	
DSNR	15 E26HE	
UNSPECIFIED TOLERANCES ARE:		
WHOLE DIM (X)	: 3	
ONE-PLACE (X.X)	: 1.5	
TWO-PLACE (X.XX)	: 0.50	
ANGLE	: 1°	
THIRD ANGLE PROJECTION		
DO NOT SCALE DRAWING	REFER TO ES0018 FOR FASTENER TIGHTENING GUIDELINES	
TITLE: DRAINAGE SYSTEM INSTL		
SHEET 1 OF 4	PART NO	190128
REF:	1	09-Jul-2015

FOR DRAINAGE CALLOUTS SEE DWG NO 116229-01-000

\*190128\*



SINK-LAVATORY  
096927-01-CHT  
SEAL  
091255-02-000 (A/R)

SINK-GALLEY, DBL  
163942-03-CHT  
STRAINER  
092303-01-000 (2)  
BRACKET AND SCREWS  
(SUPPLIED WITH SINK)  
SEAL  
091255-03-000 (2130)

TOILET-RESIDENCE, LOW, W/O SPR  
184093-01-CHT

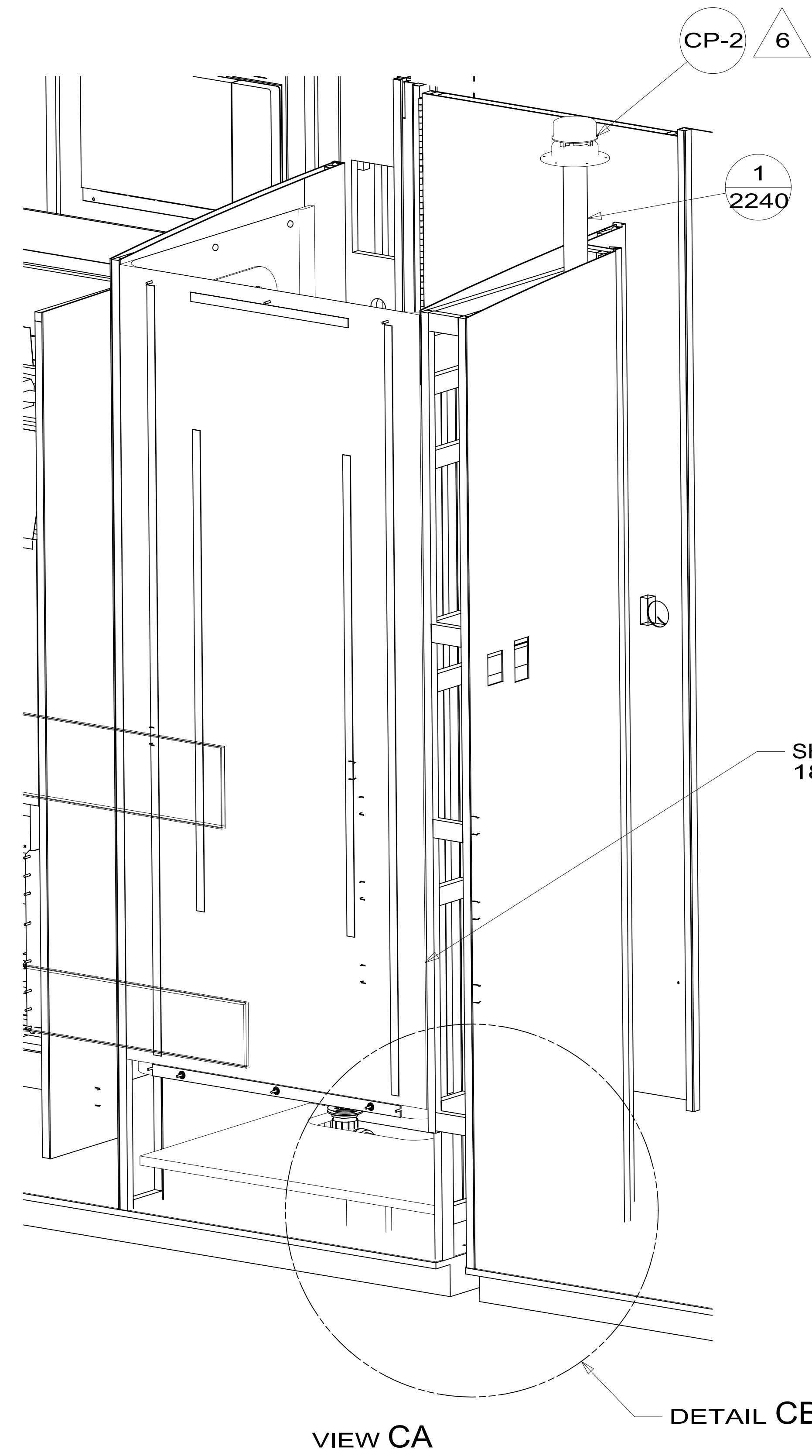
DETAIL BB

DETAIL BB  
(SHOWN W/OUT CABINETS & FLOOR)

VIEW BA  
(SHOWN W/OUT CABINETS)

FIRST USED	15 E26HE	
TITLE:	DO NOT SCALE DRAWING	
TITLE:	DRAINAGE SYSTEM INSTL	
SHEET 2	PART NO 190128	REV
	1	09-Jul-2015

\*190128\*



VIEW CA

DETAIL CB

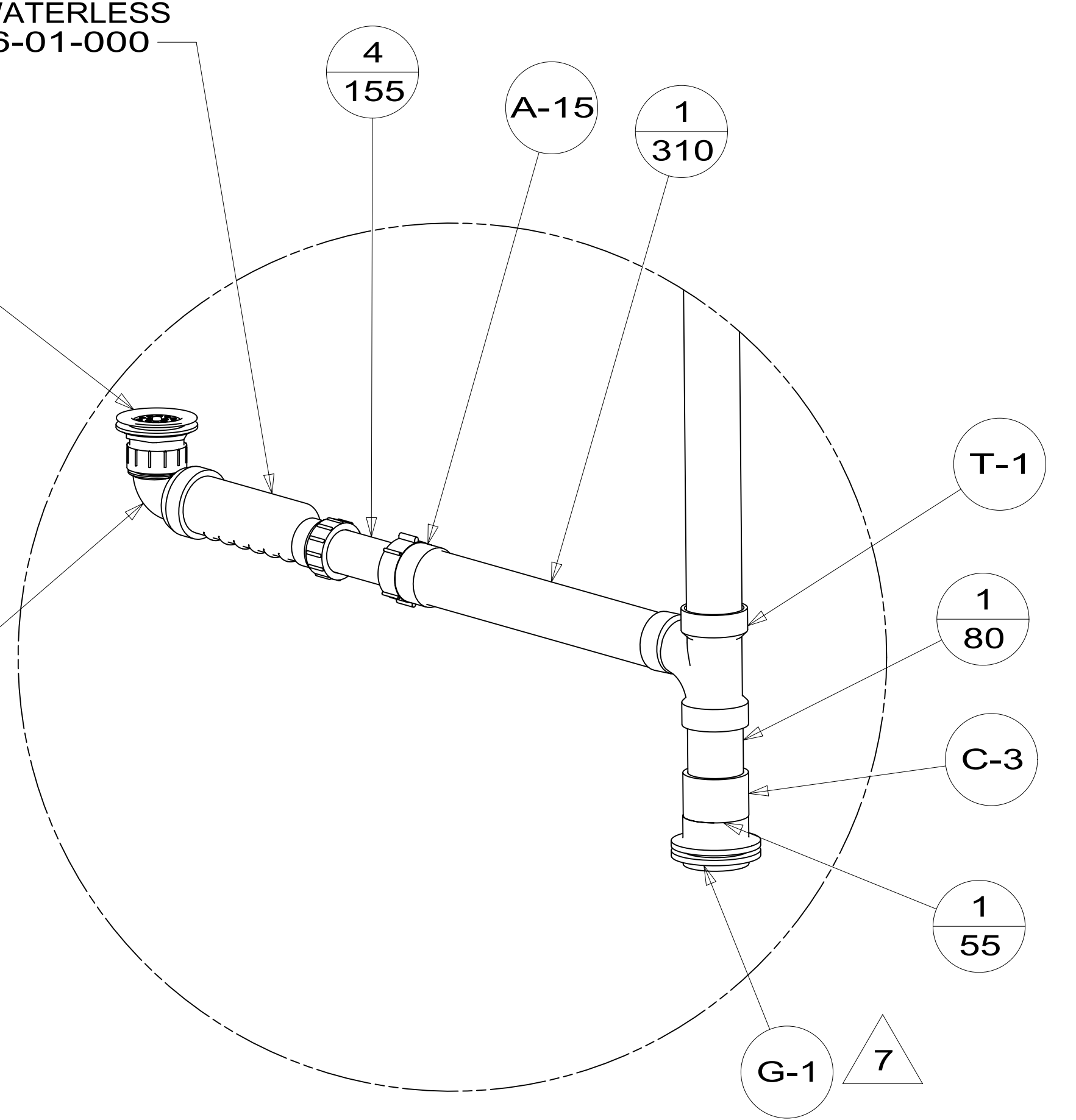
TRAP-WATERLESS  
165406-01-000

STRAINER  
066440-01-000  
SEALER  
069640-01-000  
WASHER-RUBBER  
127440-02-CHT

ADAPTER-ANGLE, WATERLESS TRAP  
165406-02-000

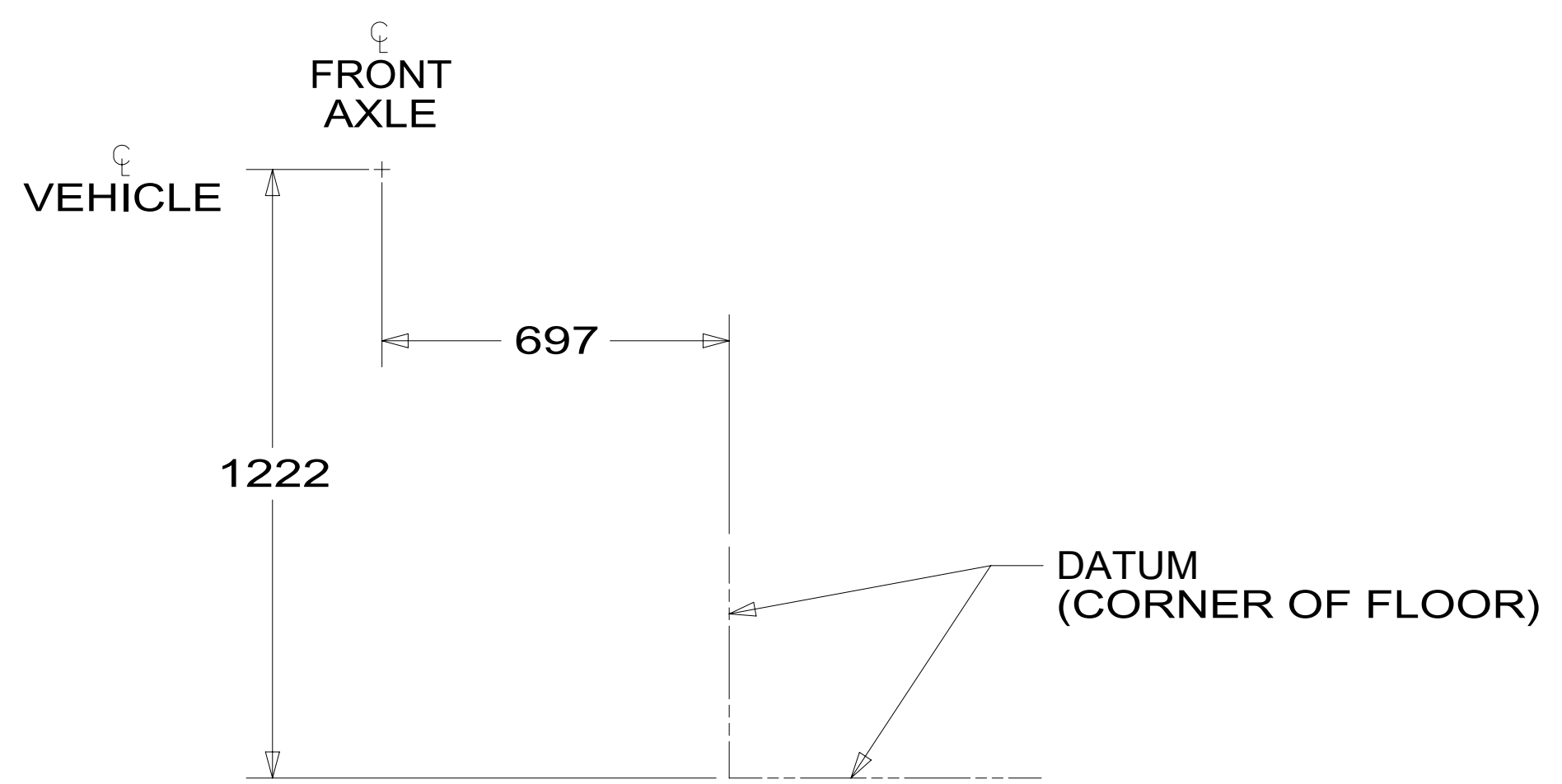
SHOWER INSTL-ENCLOSURE  
189050-02-000

DETAIL CB  
(SHOWN W/OUT CABINETS, FLOOR, & SHOWER)

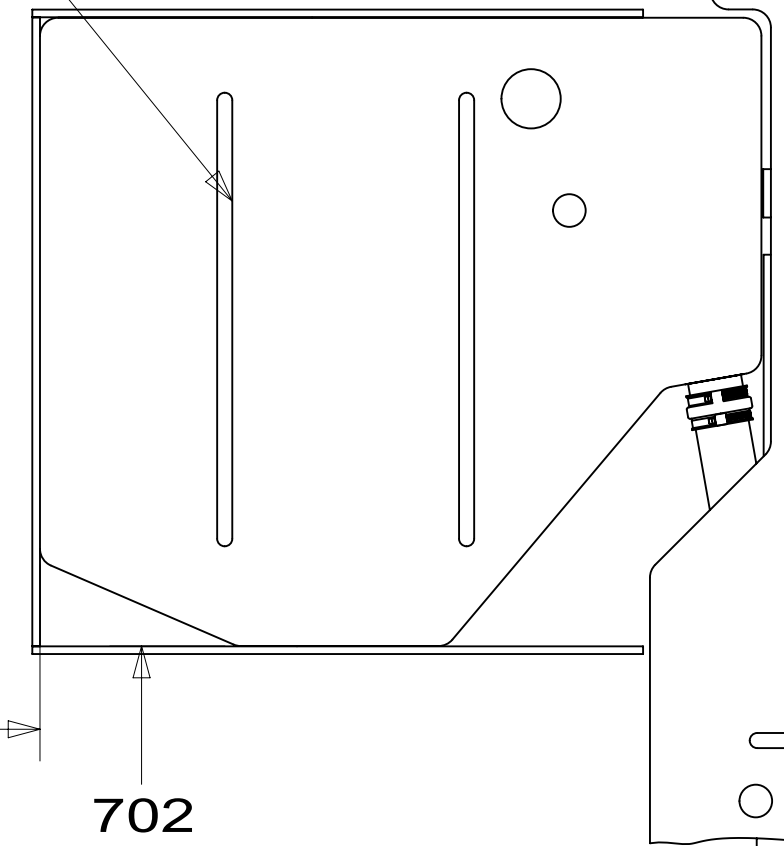


FIRST USED	15 E26HE	
TITLE:	DO NOT SCALE DRAWING	
TITLE:	DRAINAGE SYSTEM INSTL	
SHEET 3	PART NO 190128	REV
	1	09-Jul-2015

\*190128\*



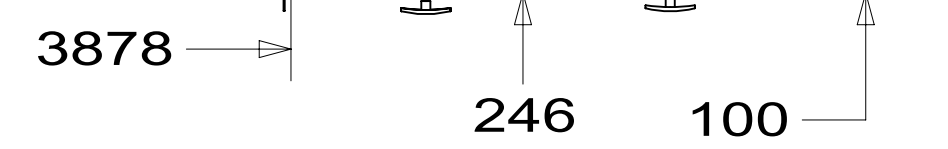
TANK ASM-HOLDING, 43 GAL  
154458-02-000



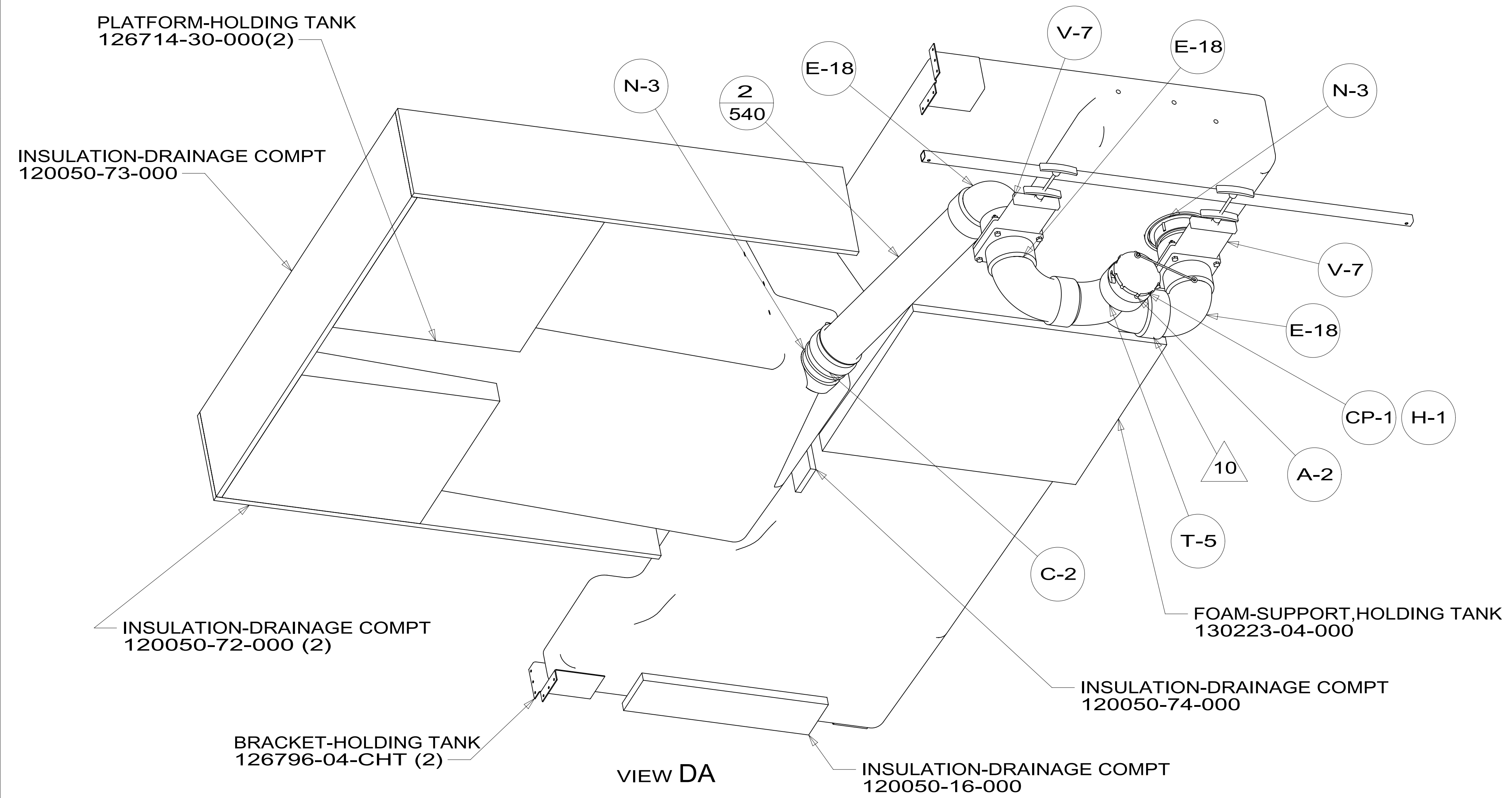
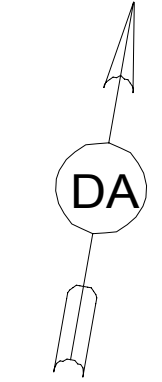
BRACKET-HOLDING TANK  
126796-06-CHT

TANK ASM-HOLDING, 38 GAL  
154457-05-000

STL-TUBE  
123963-07-CHT

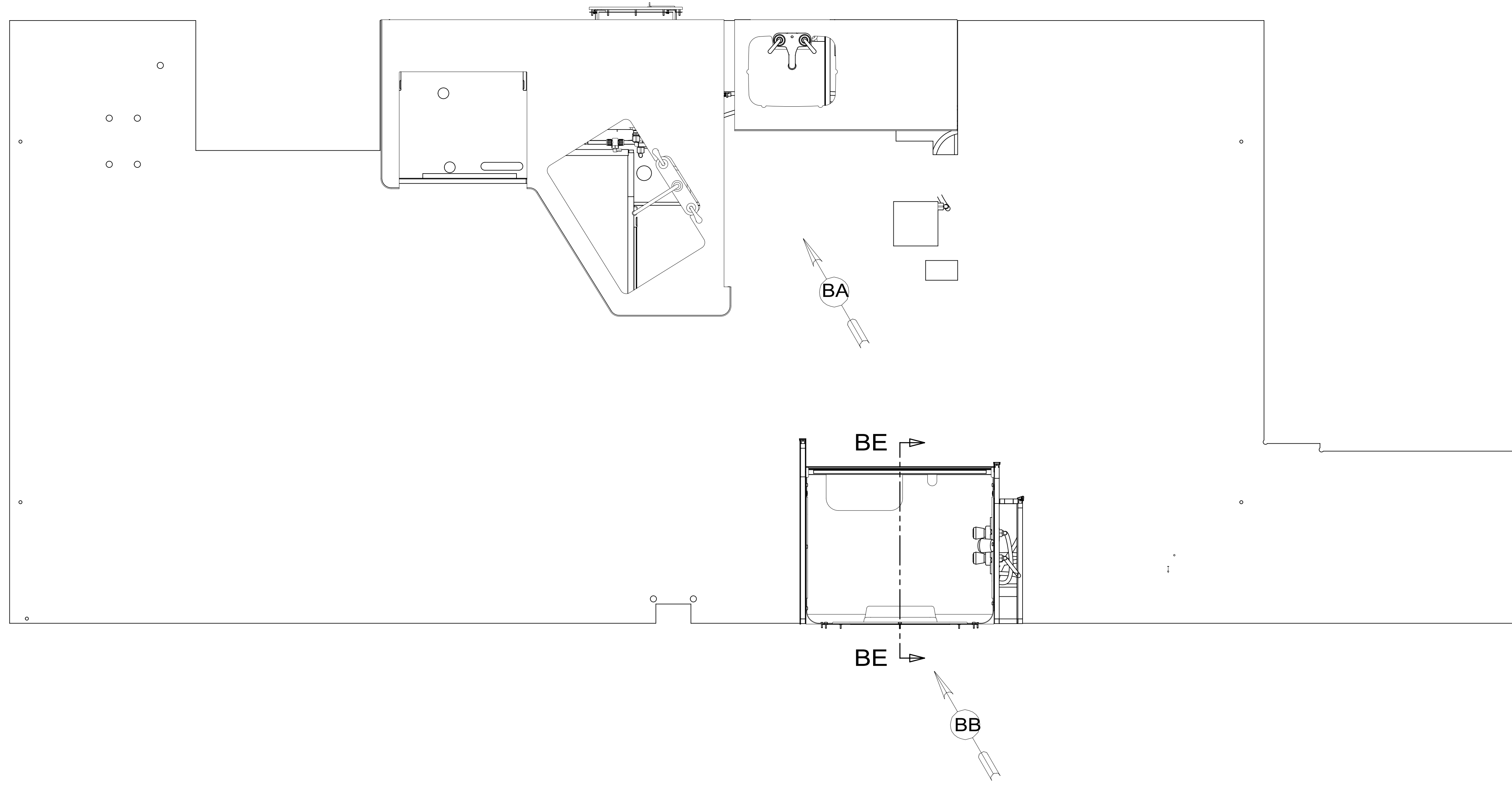


SHOWING TANKS AND DRAINS



FIRST USED	15 E26HE	
TITLE:	DO NOT SCALE DRAWING	
TITLE:	DRAINAGE SYSTEM INSTL	
SHEET 4	PART NO 190128	REV
		1 09-Jul-2015

\*190128\*



8. ALL CRIMP FITTINGS TO PEX TUBING REQUIRE 1/2" CLAMP 140171-03-000.
7. ALL CRIMP FITTINGS TO PEX TUBING REQUIRE 5/8" CLAMP 140171-04-000.
- 6 LABEL HOT AND COLD SUPPLY TUBES AND TAPE FITTING TO TUBE BEFORE CABINET SET TO PREVENT MOVEMENT.
- 5 ADD PIPE WRAP (LADDER SCRAP 110157-02-000) INSULATION.
- 4 ADD TEFLON TAPE 010405-02-000.
3. ALL TUBING TO BE SECURED AT 1200 INTERVALS MAXIMUM WITH CLAMP 010495-01-000 AND SCREW 000G67-10-12U OR EQUIVALENT.
2. TUBING TO BE INSTALLED WITH SUFFICIENT SLOPE TO PROVIDE DRAINAGE TO NEAREST VALVE.
1. PLASTIC FITTINGS TO BE SEALED WITH SEALANT 084456-01-000.

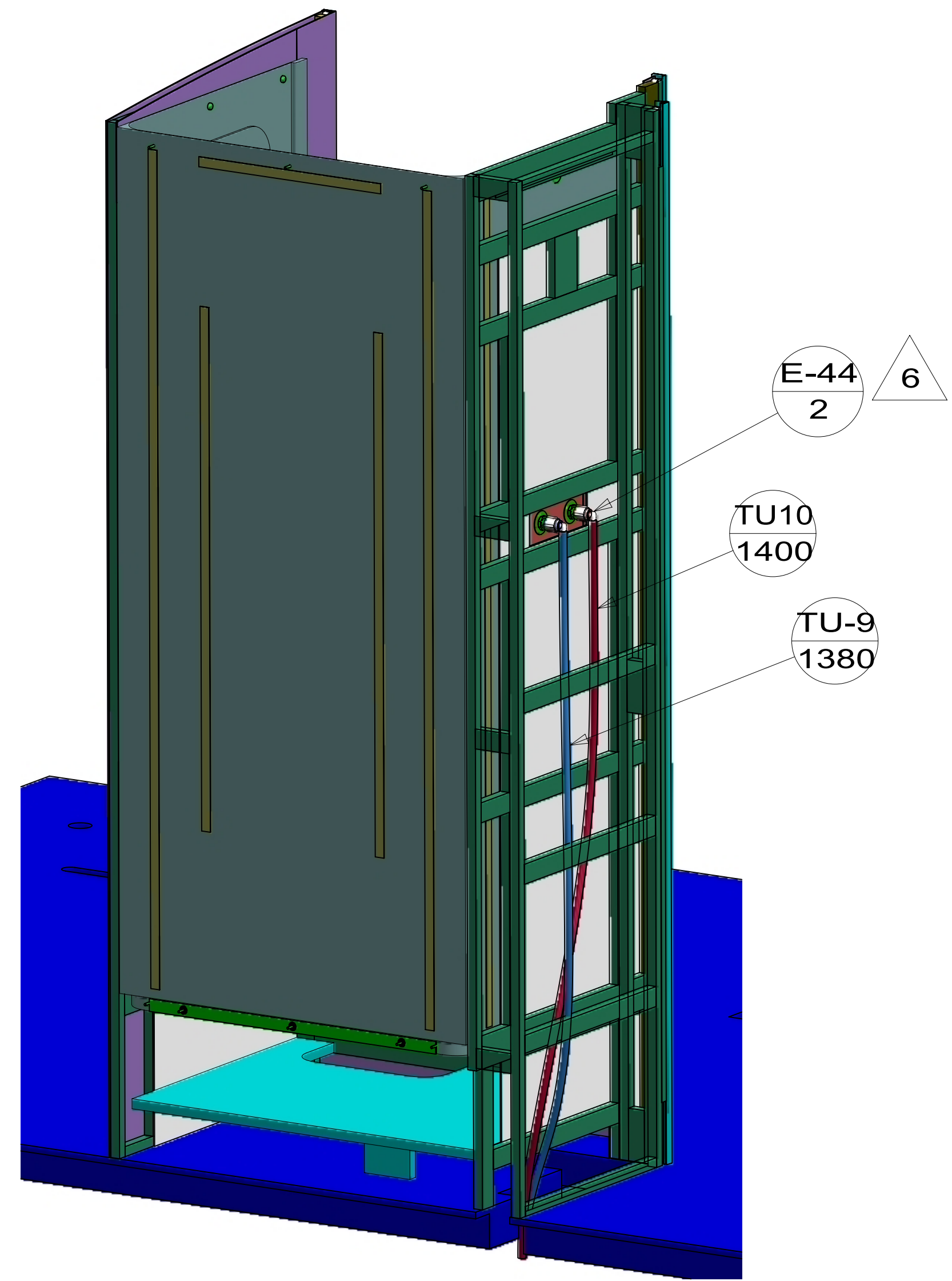
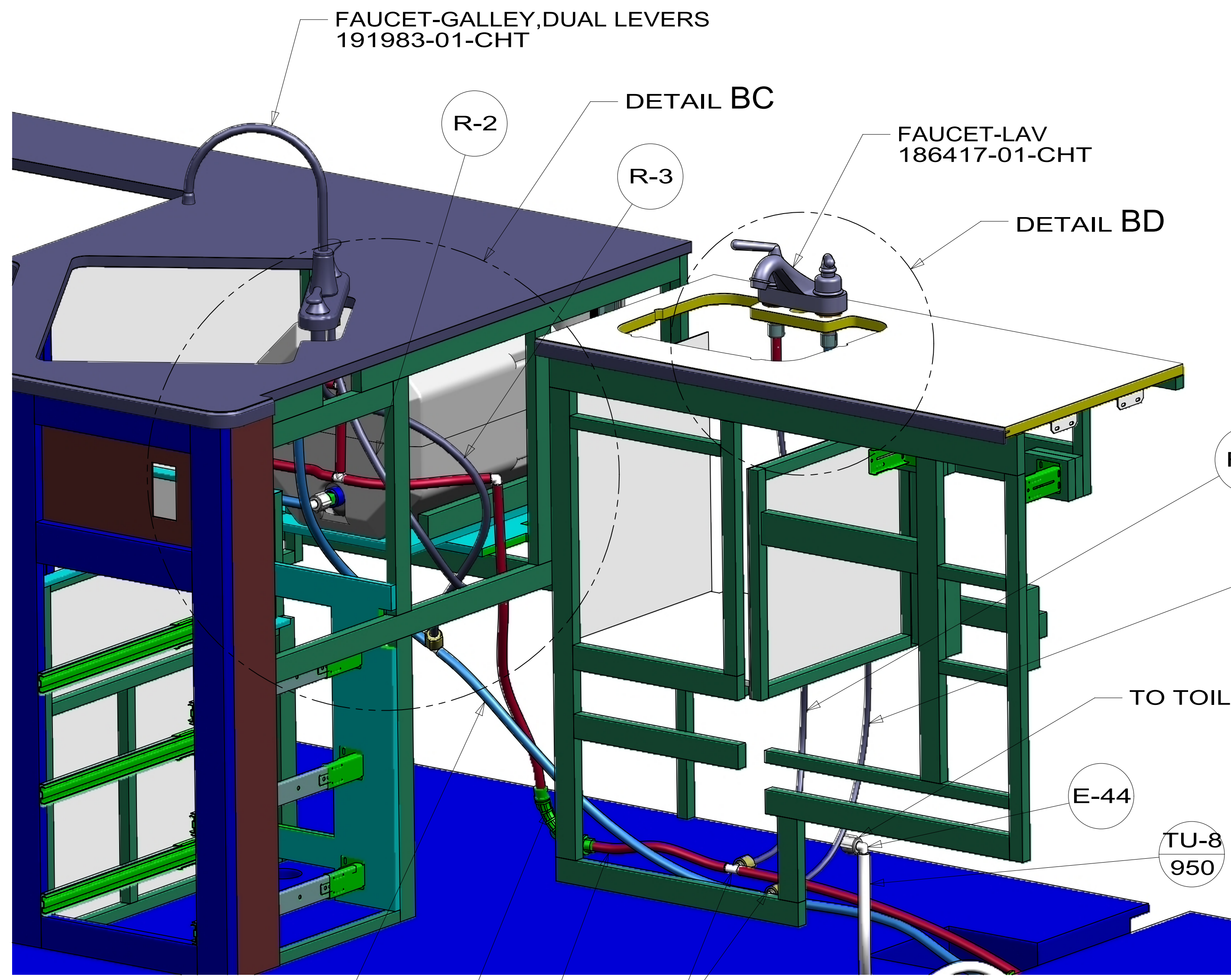
NOTES:

(X-X)  
FOR WATER CALLOUTS SEE DWG NO 116230-01-000

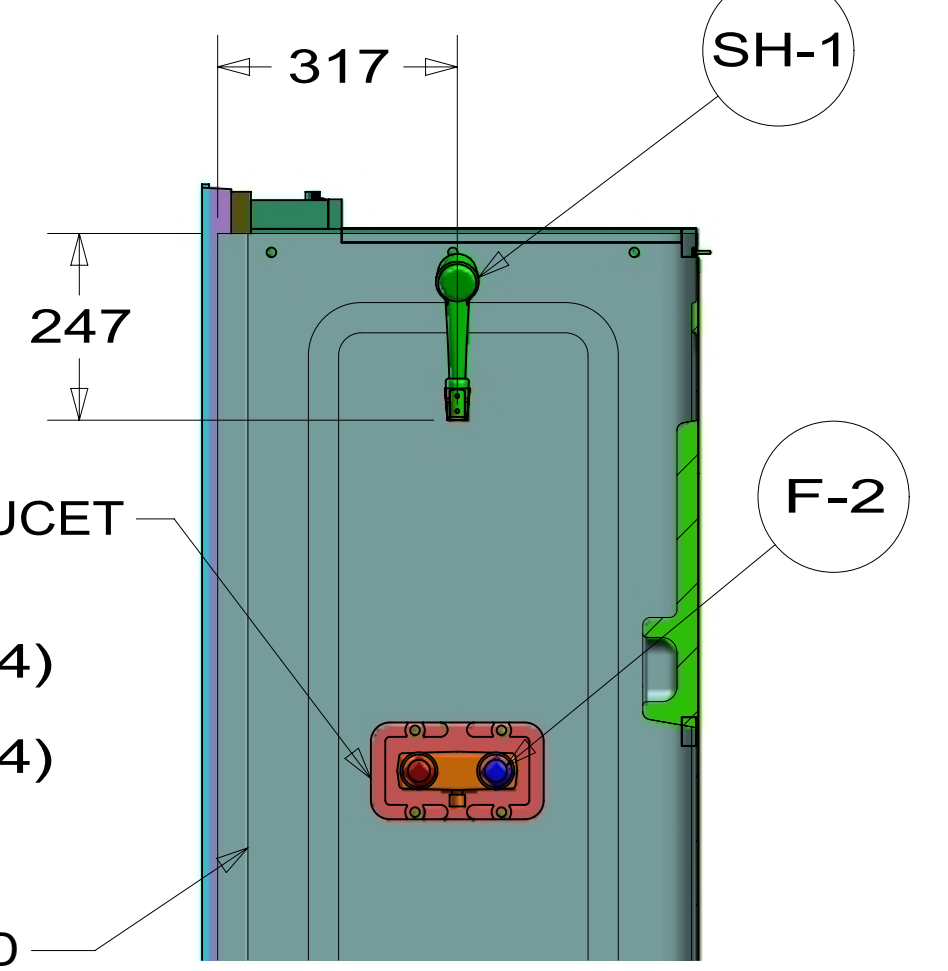
**WINNEBAGO** INDUSTRIES, INC. COPYRIGHT 2014

DFTR	ORIG. DATE
CHKR	ALL DIMENSIONS ARE IN MILLIMETERS
P.E.	
M.E.	FIRST USED
DSNR	15 E26HE
UNSPECIFIED TOLERANCES ARE:	
WHOLE DIM (X)	: 3
ONE-PLACE (X.X)	: 1.5
TWO-PLACE (X.XX)	: 0.50
ANGLE	: 1°
THIRD ANGLE PROJECTION	
DO NOT SCALE DRAWING	REFER TO ES0018 FOR FASTENER TIGHTENING GUIDELINES
TITLE: WATER SYSTEM INSTL	
SHEET 1 OF 4	PART NO 190164
REF:	1 14-Jul-2015

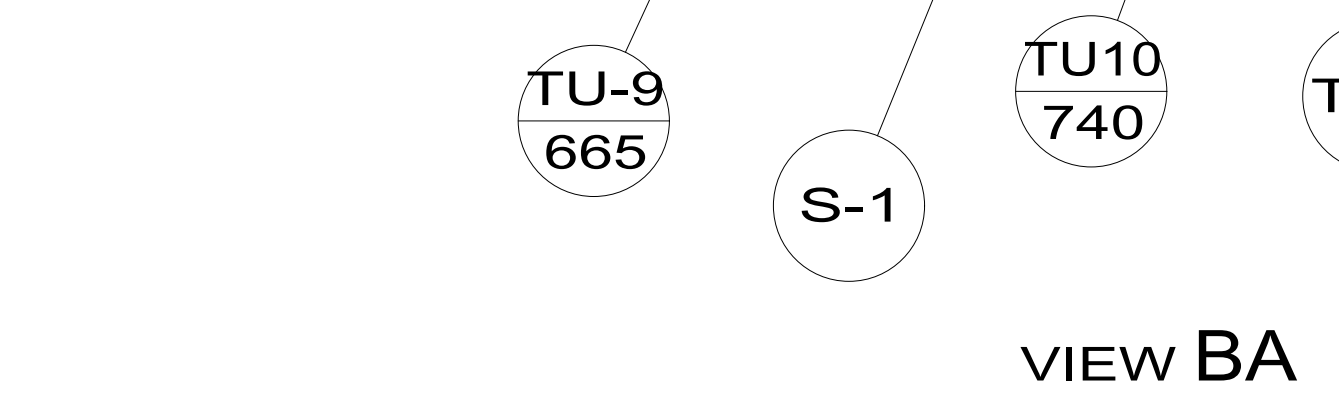
\*190164 \*A



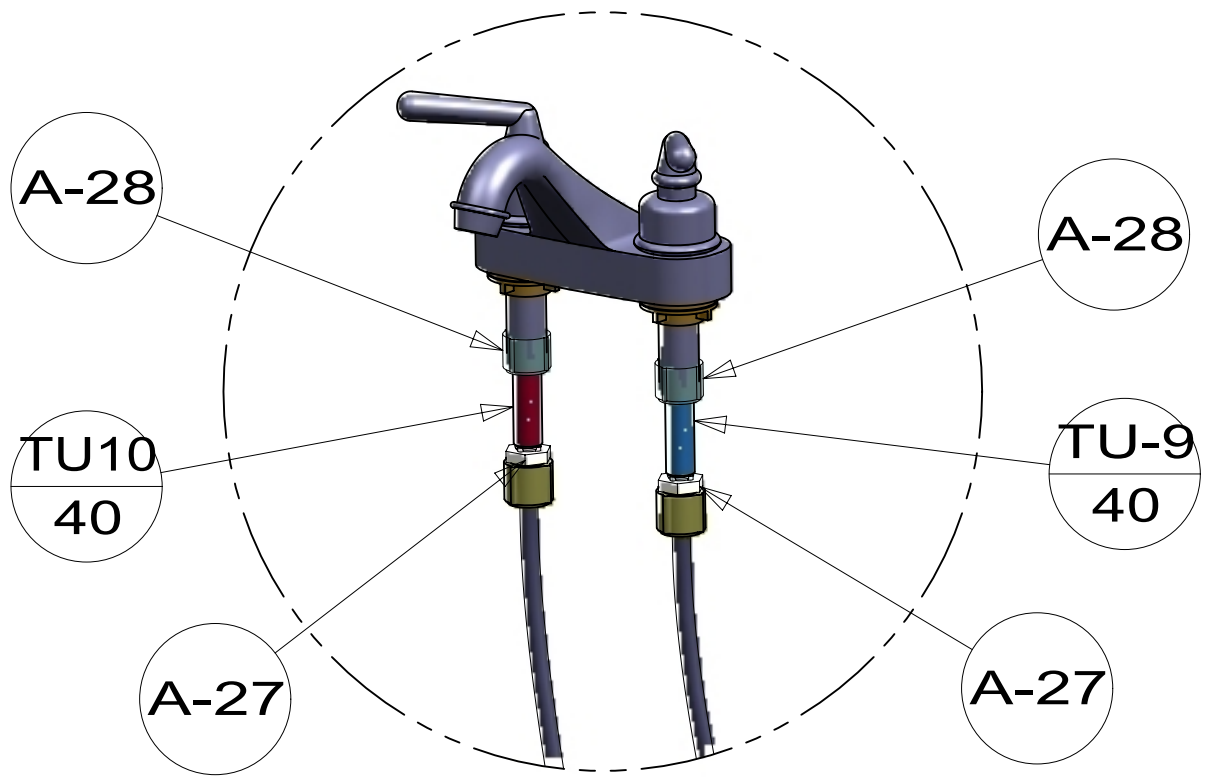
VIEW BB



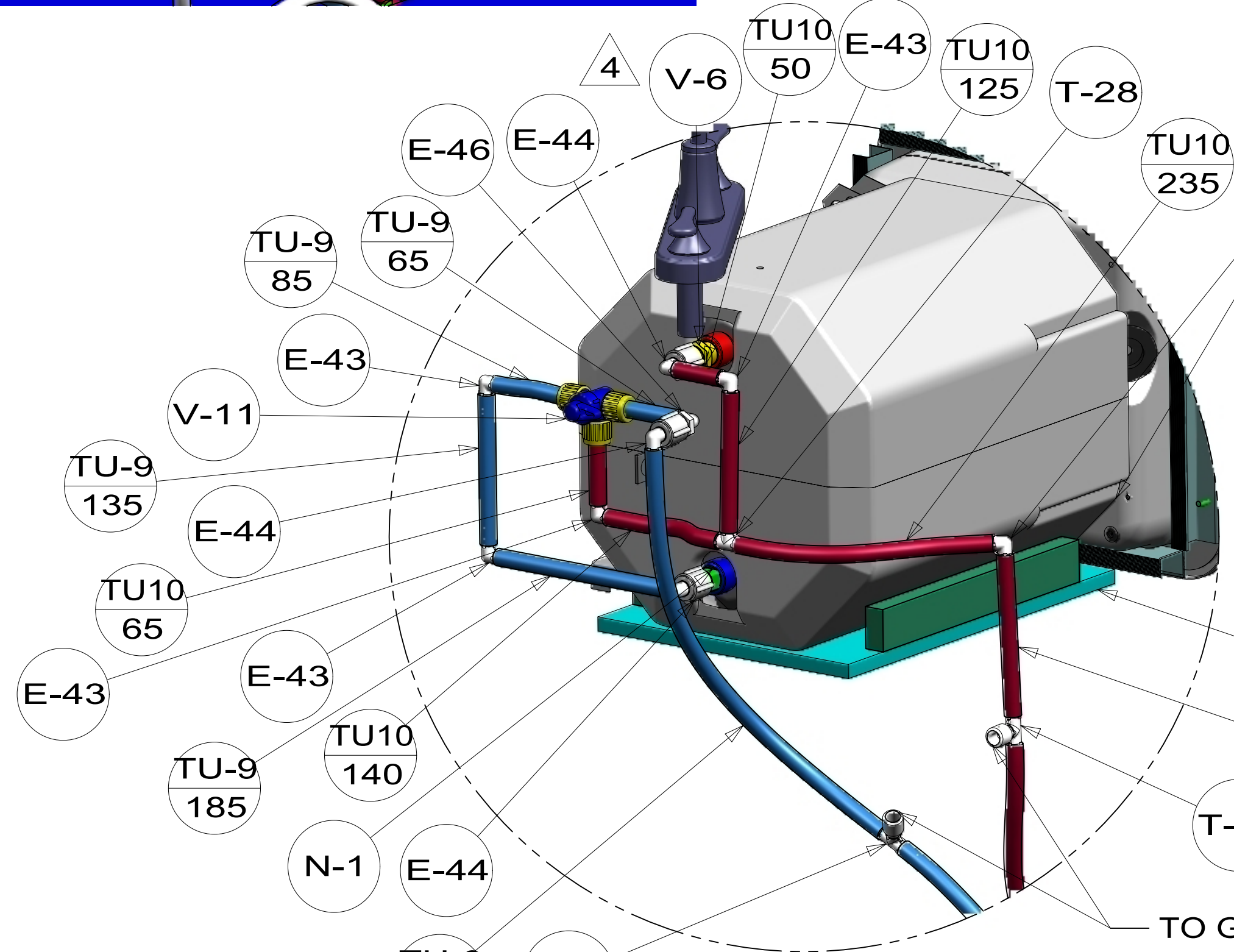
SECTION BE-BE



VIEW BA



DETAIL BD (SHOWN W/OUT CABINETS)



DETAIL BC (SHOWN W/OUT CABINETS & FAUCET)

- WATER HEATER INSTL-6 GAL 186899-04-000
- CABLE 076767-03-000
- SCREW 000G11-06-08U (2)
- BUMPER-RUBBER 120863-05-000 (2)
- SCREW 000G39-06-10U (2)

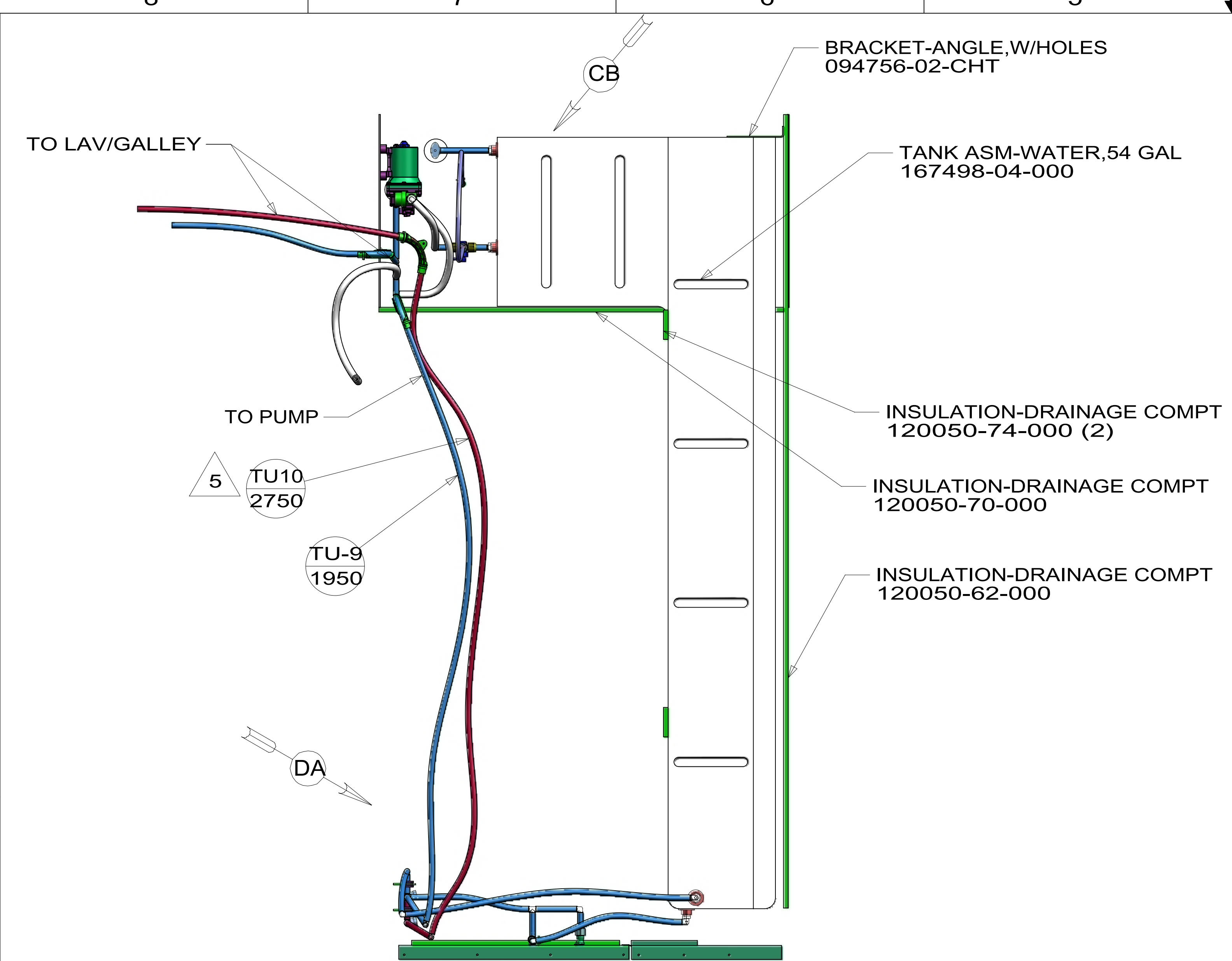
PLATFORM ASM 184166-01-000

- PANEL-SHOWER FAUCET 167738-02-CHT
- COVER-SCREW 166569-01-CHT (4)
- SCREW 000G11-08-12U (4)

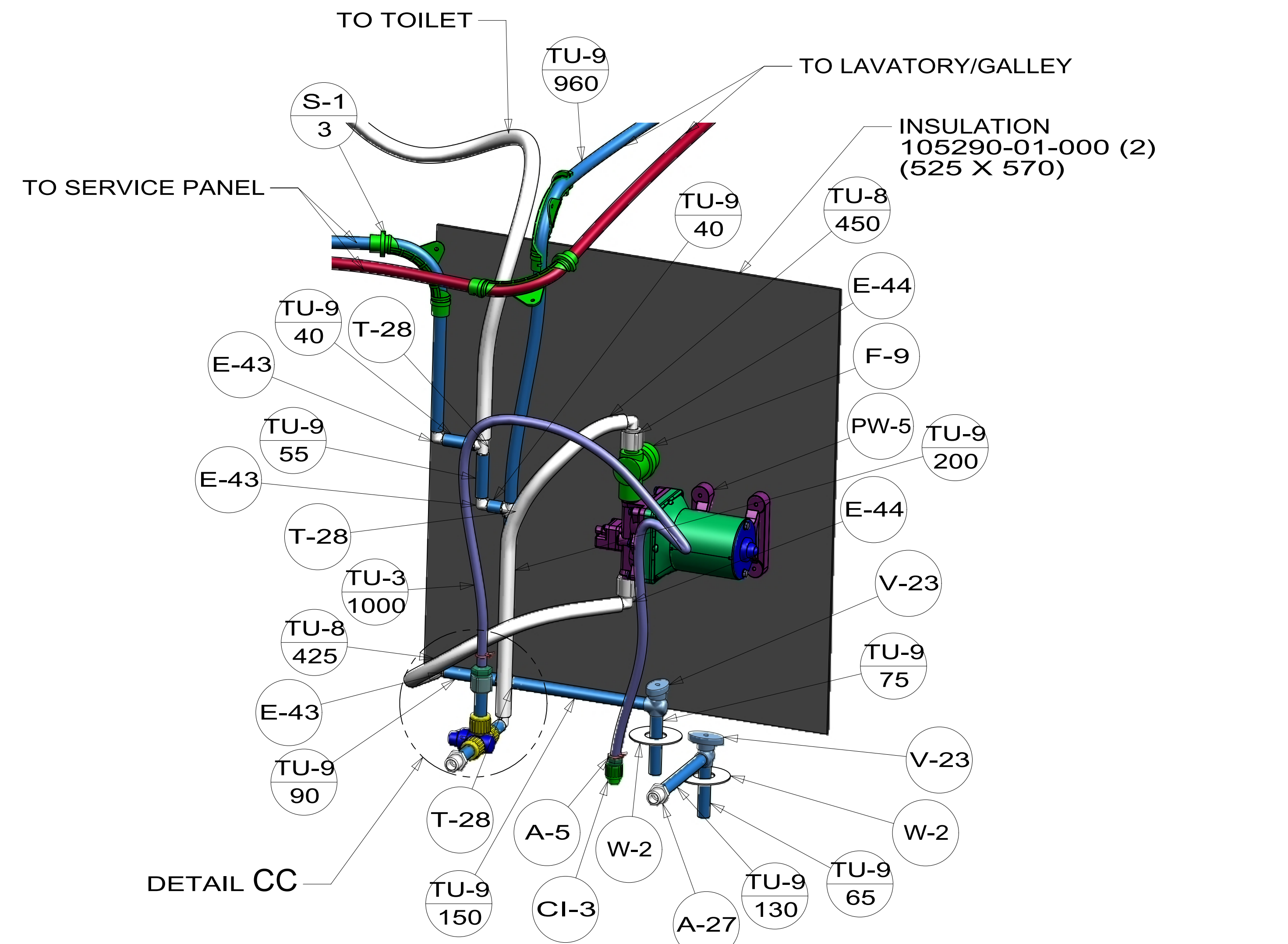
SHOWER SURROUND (REF)

FIRST USED	15 E26HE	
TITLE:	DO NOT SCALE DRAWING	
	WATER SYSTEM INSTL	
SHEET 2	PART NO 190164	REV
		14-Jul-2015

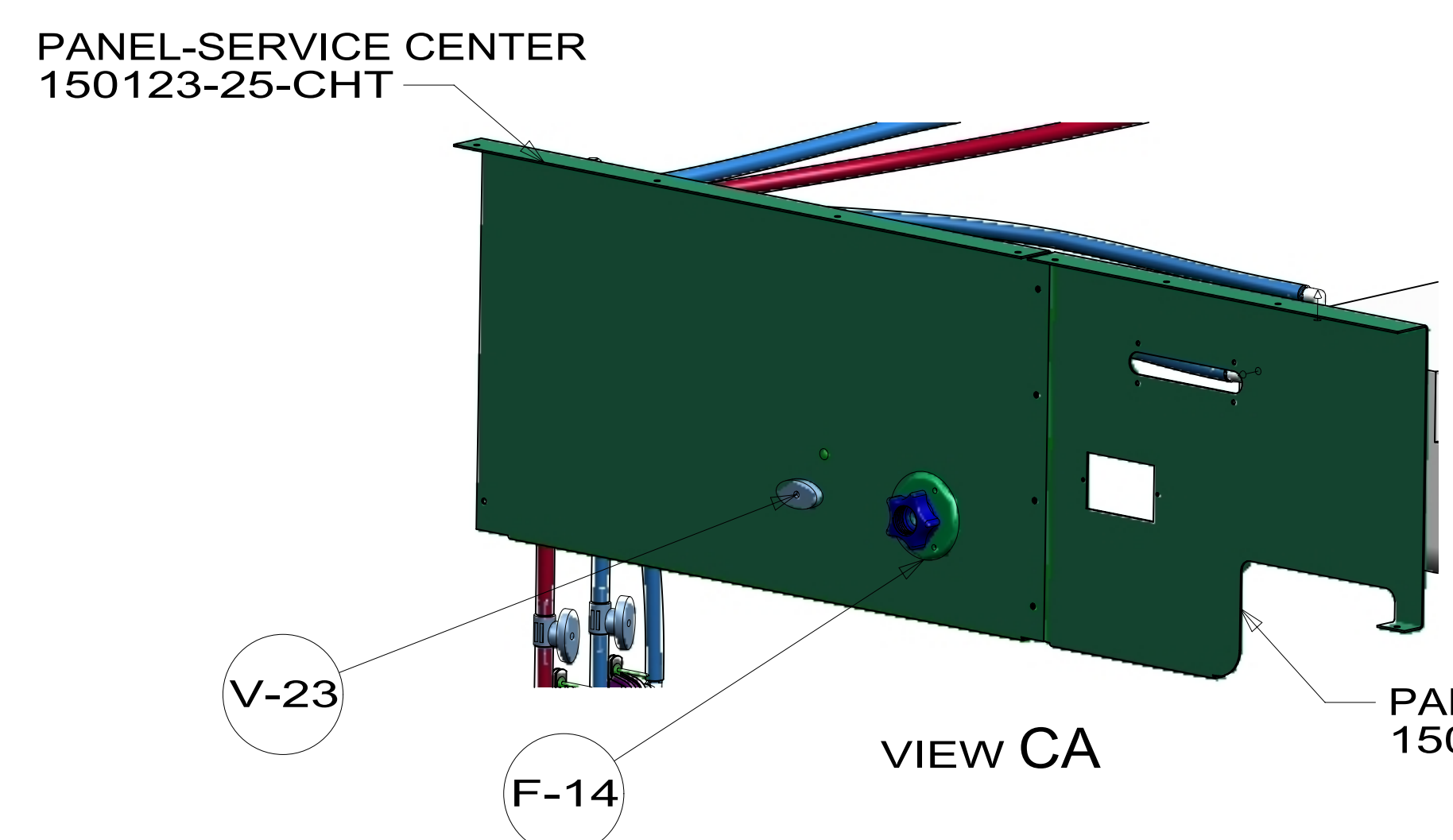
\*190164\*



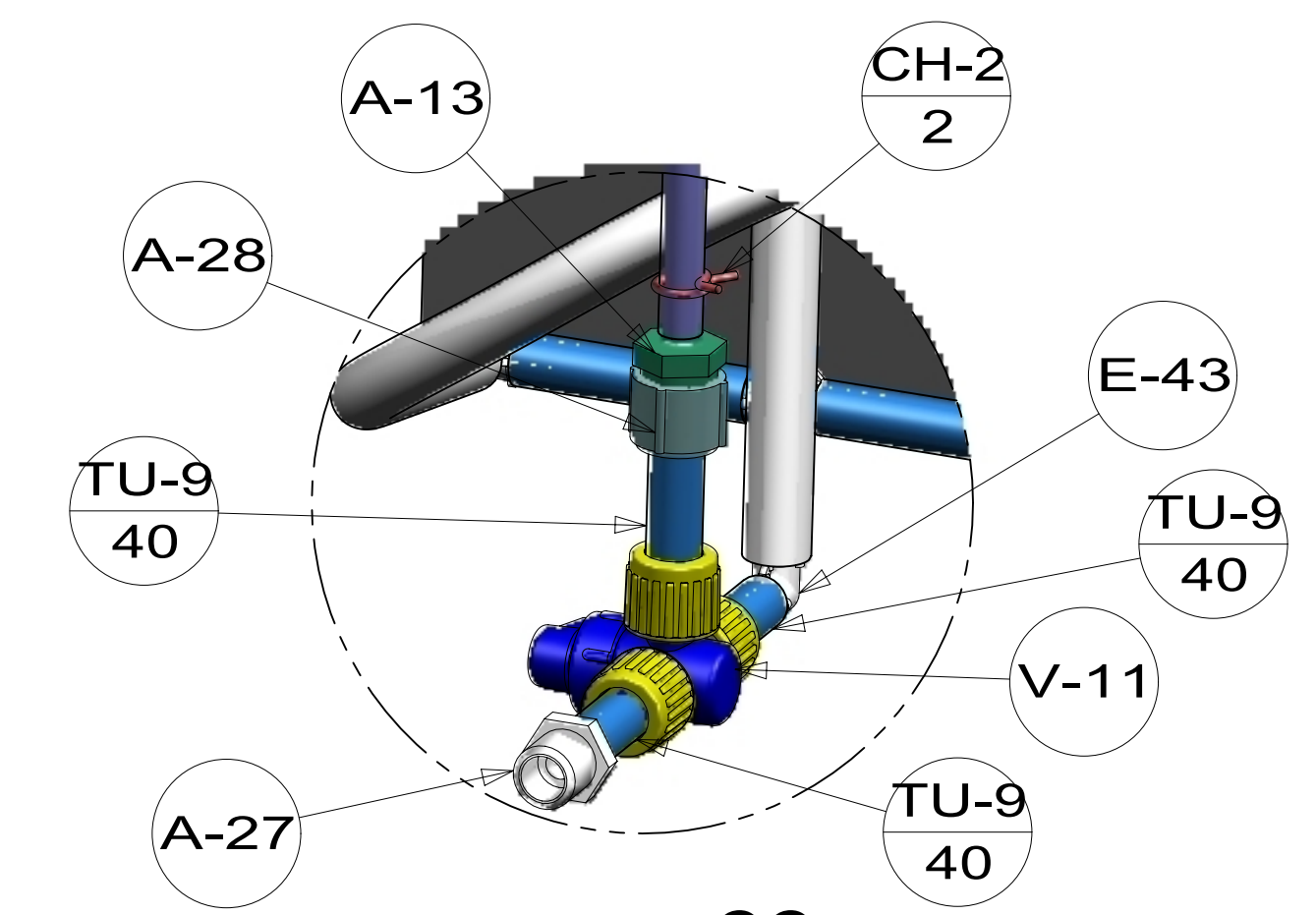
TOP VIEW  
SHOWING LINES UNDER FLOOR & TANKS



VIEW CB  
(SHOWN W/OUT TANKS)



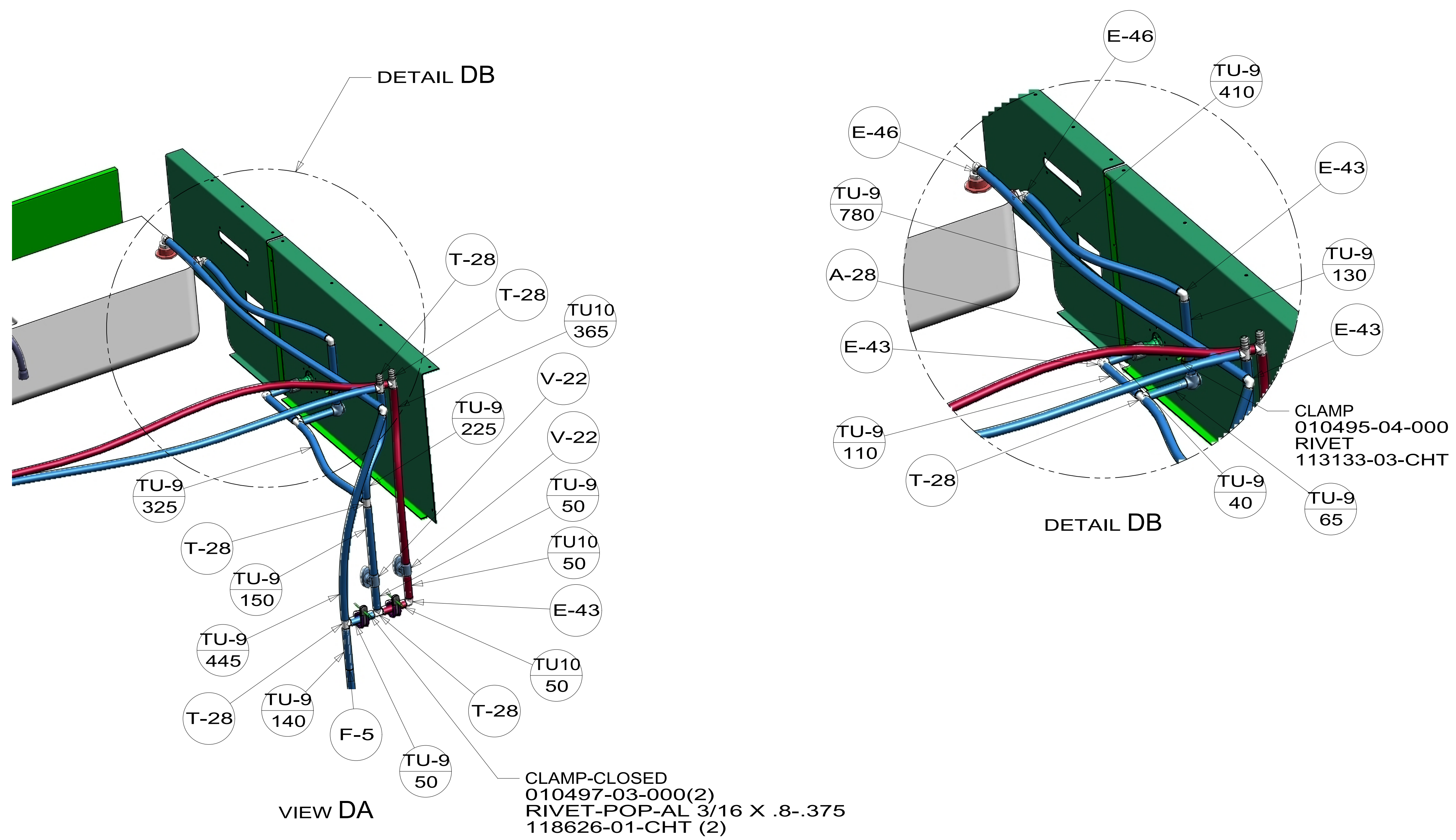
VIEW CA



DETAIL CC

FIRST USED	15 E26HE
TITLE:	DO NOT SCALE DRAWING
SHEET 3	190164
REV	14-Jul-2015

\*190164\*



FIRST USED	15 E26HE		
TITLE:	DO NOT SCALE DRAWING		
TITLE:	WATER SYSTEM INSTL		
SHEET 4	PART NO	190164	REV
	1	14-Jul-2015	

\*190164 \*A