

- 21S WASHER & DRYER-PAIR
- 21M WASHER/DRYER PREP
- 1B1 CODES/STANDARDS-USA
- 265 CODES/STANDARDS-CSA/CMVSS

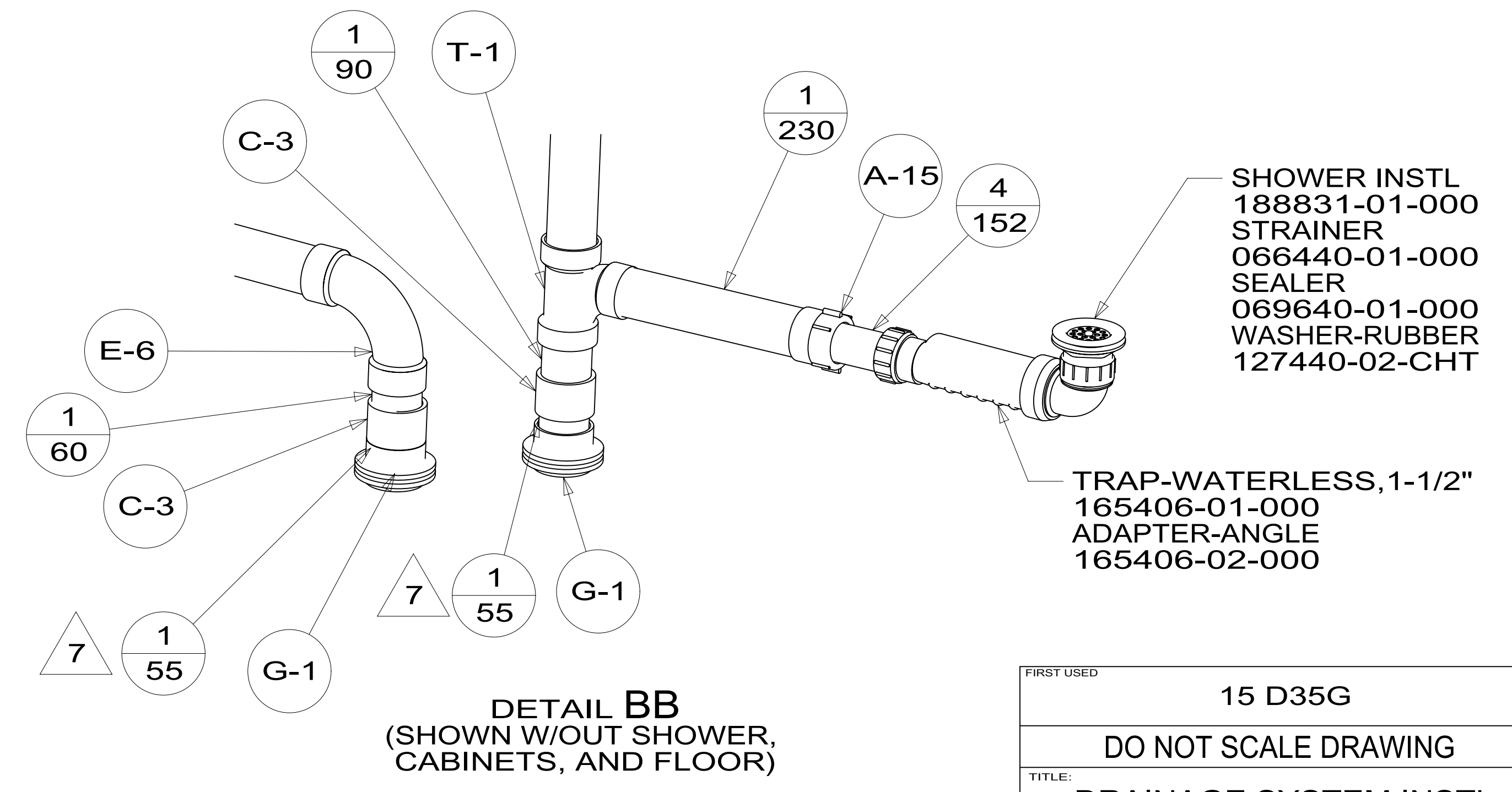
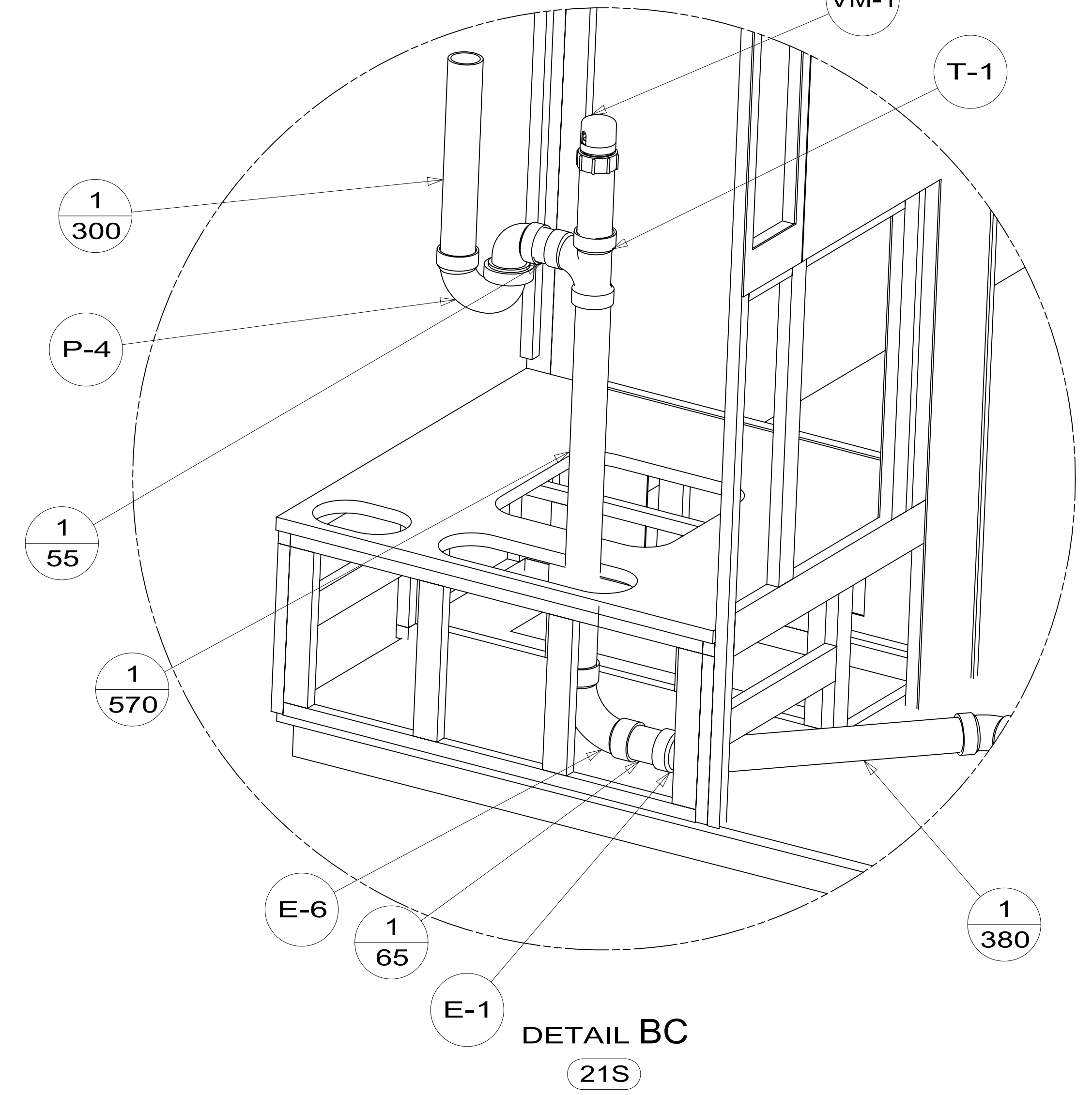
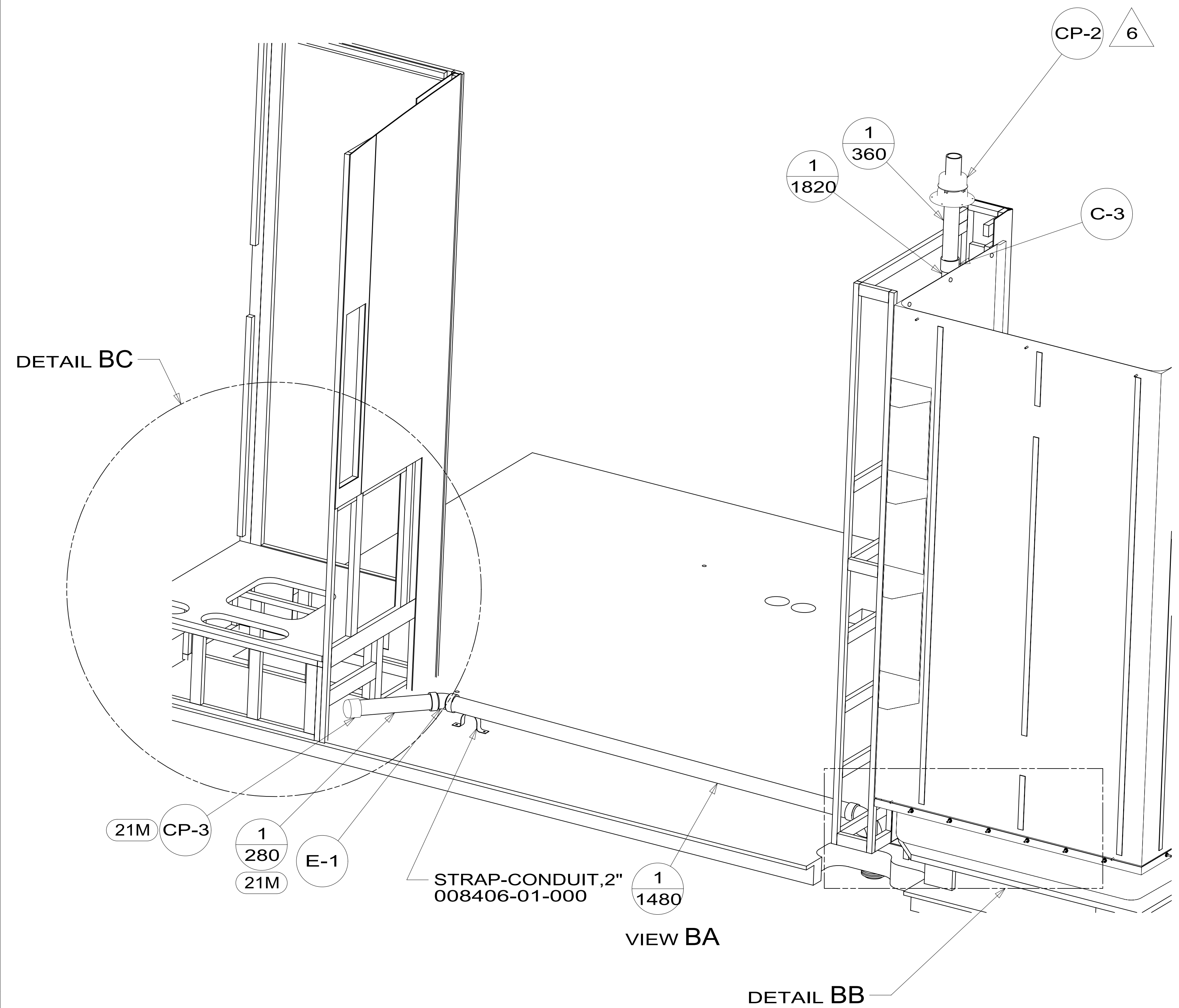
9. SEE DRAWING 061607 FOR INSTALLATION OF GROMMETS.
8. SECURE DRAINAGE PIPES TO CABINET USING WIRE TIE 108046-02-000, AND SCREW 000G67-10-12U AT INTERVALS OF NOT OF NOT MORE THAN 4 FEET APART.
7. SECURE VENT PIPE TO FLOOR WITH CLAMP 062401-02-000 (2), SCREW 000G67-10-12U (2), BRACKET 136878-01-CHT (2).
6. VENT PIPE MUST PROJECT 51 MIN AND 64 MAX ABOVE ROOF FOR PROPER FIT AND FUNCTION. ADD S-1 (116666-01-CHT SEAL-VENT PIPE) AROUND PIPE ON ROOF BEFORE VENT CAP IS INSTALLED.
5. SEAL AROUND SHOWER WITH SILICONE.
4. USE SMOOTH PLUMBERS PUTTY 167459-01-000 TO SEAL STRAINER (0.2 PER STRAINER).
3. ALL PIPE AND FITTINGS TO BE ASSEMBLED WITH SOLVENT 004020-01-000 (USA), 004020-02-000 (CAN)
2. SLOPE OF TRAP ARM MUST BE 6 PER 305 mm.
1. SLOPE OF HORIZONTAL PIPING TO BE MINIMUM OF 3 PER 305 mm.

NOTES:

WINNEBAGO		COPYRIGHT 2014 WINNEBAGO INDUSTRIES, INC.	
DFT-ORIG	ORIG. DATE	ALL DIMENSIONS ARE IN MILLIMETERS	
CHKR			
P.E.			
M.E.	FIRST USED		
DSNR		15 D35G	
UNSPECIFIED TOLERANCES ARE:		MATERIAL:	
WHOLE DIM (X)	: 3		
ONE-PLACE (X.X)	: 1.5		
TWO-PLACE (X.XX)	: 0.50		
ANGLE	: 1°		
THIRD ANGLE PROJECTION			
DO NOT SCALE DRAWING		REFER TO ES0018 FOR FASTENER TIGHTENING GUIDELINES	
TITLE: DRAINAGE SYSTEM INSTL			
SHEET 1 OF 4	PART NO	189688	REV
REF:	1	14-Apr-2015	

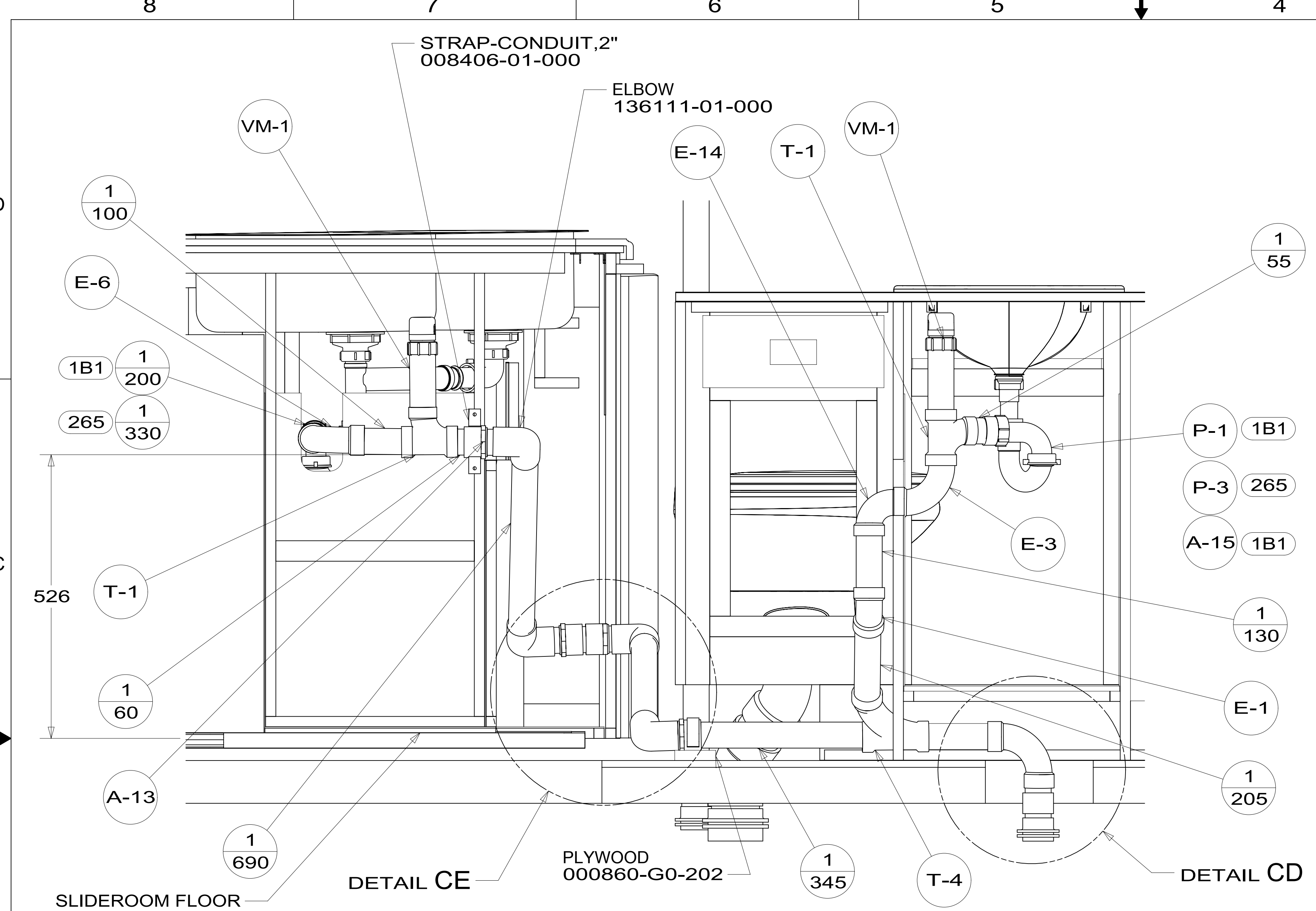
FOR
DRAINAGE
CALLOUTS
SEE DWG NO
116229-01-000

* 189688 *



FIRST USED	15 D35G	
DO NOT SCALE DRAWING		
TITLE: DRAINAGE SYSTEM INSTL		
SHEET 2	PART NO 189688	REV
14-Apr-2015		

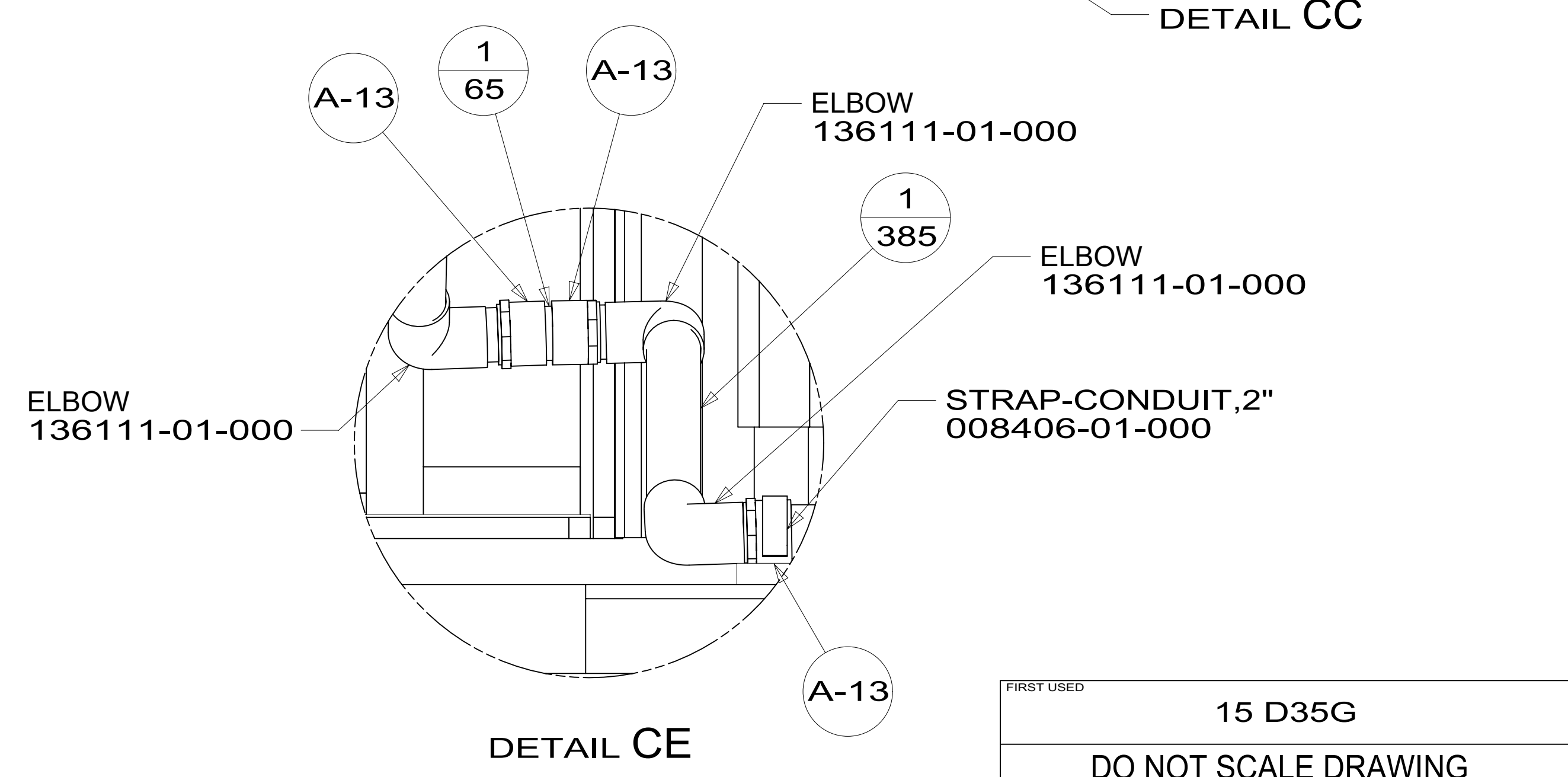
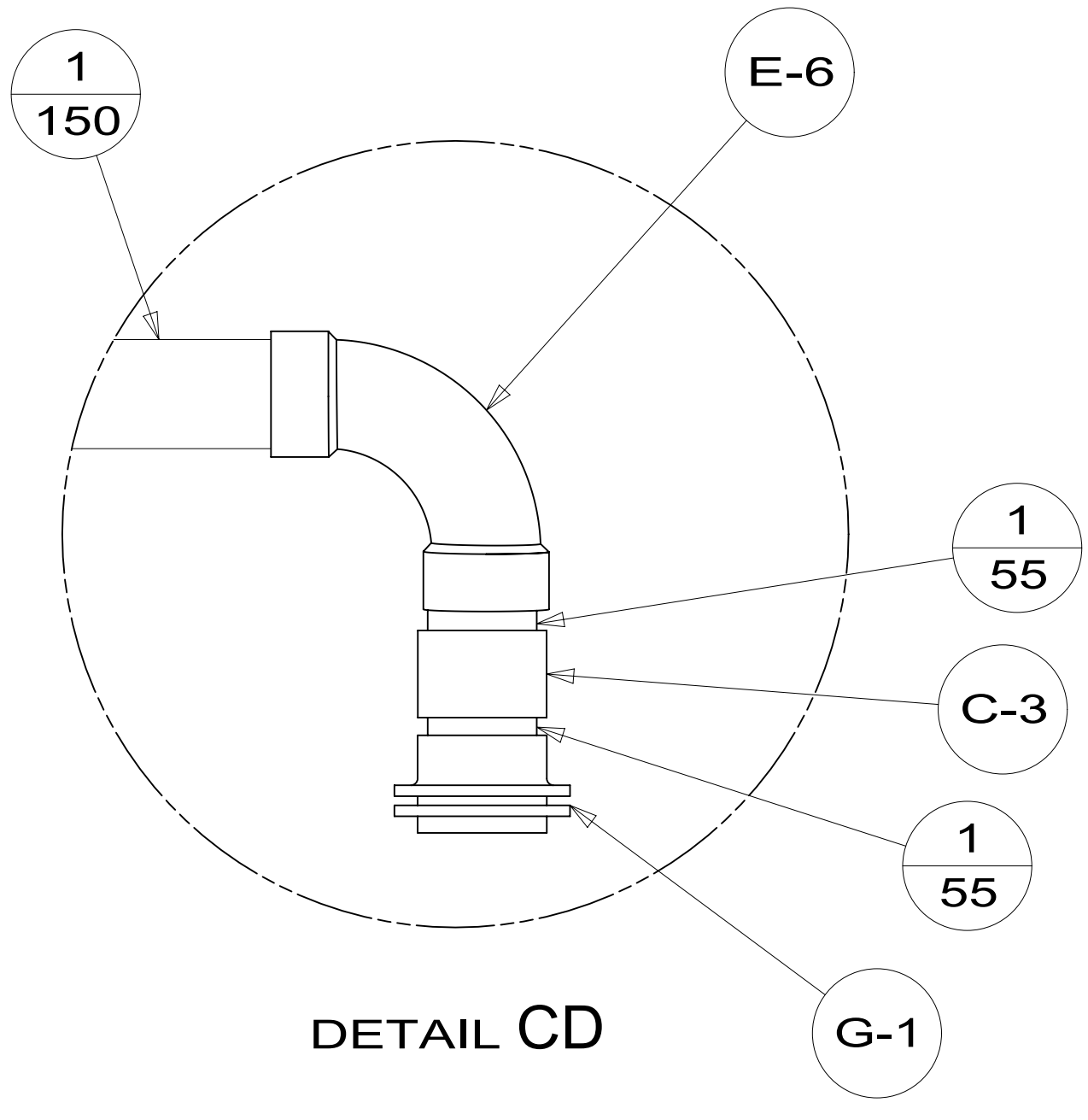
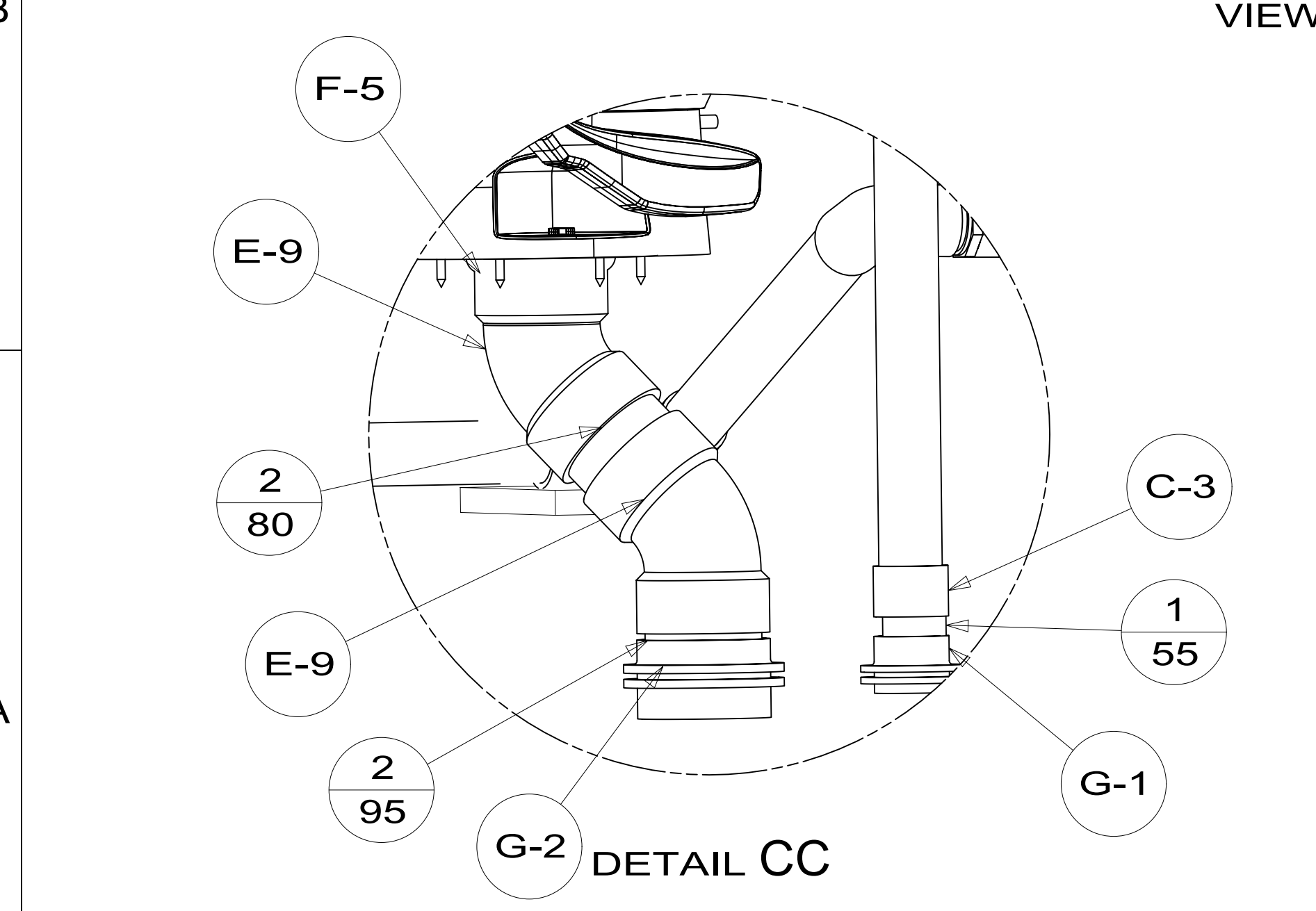
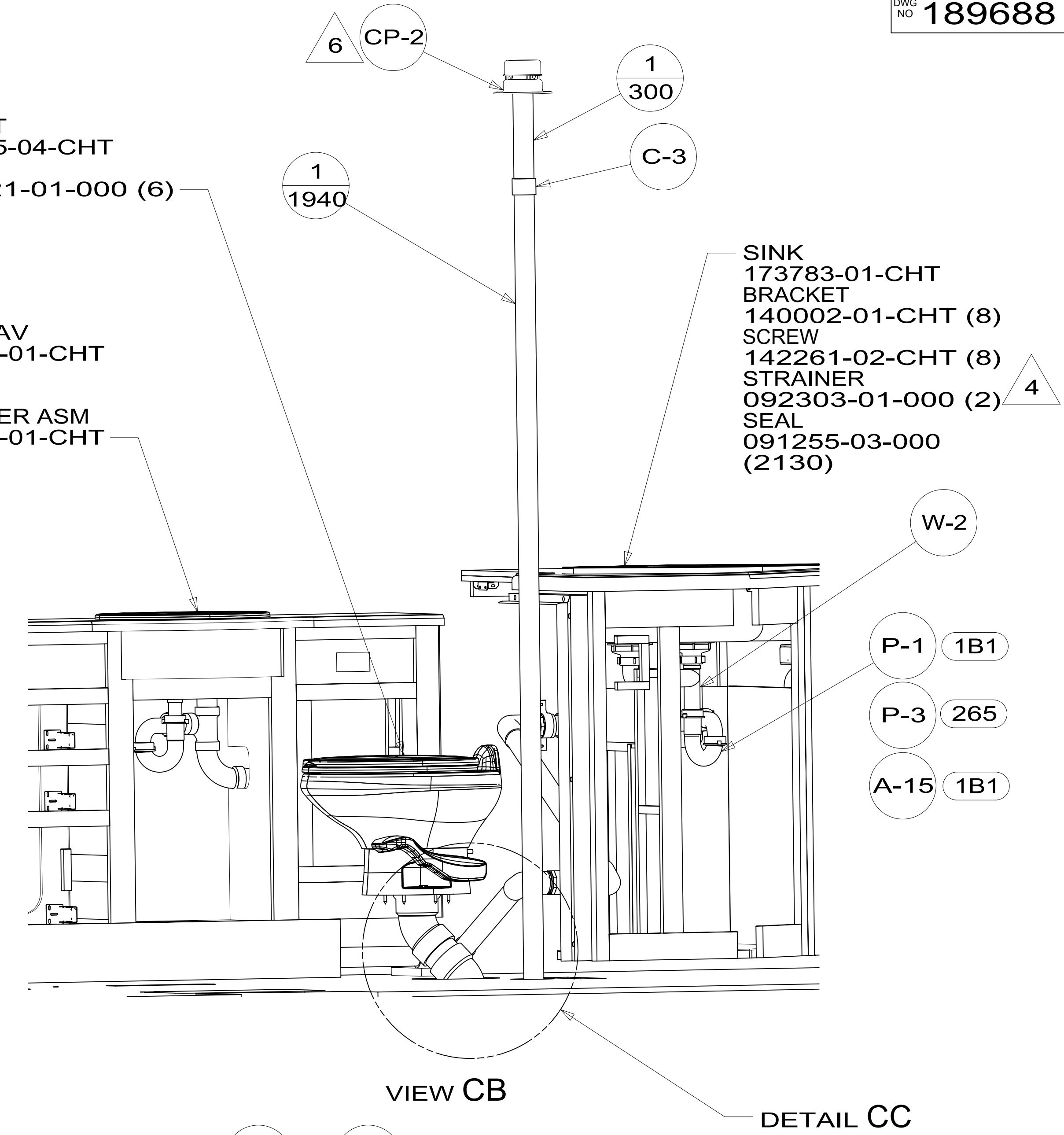
* 189688 A *



TOILET
160815-04-CHT
SCREW
087721-01-000 (6)

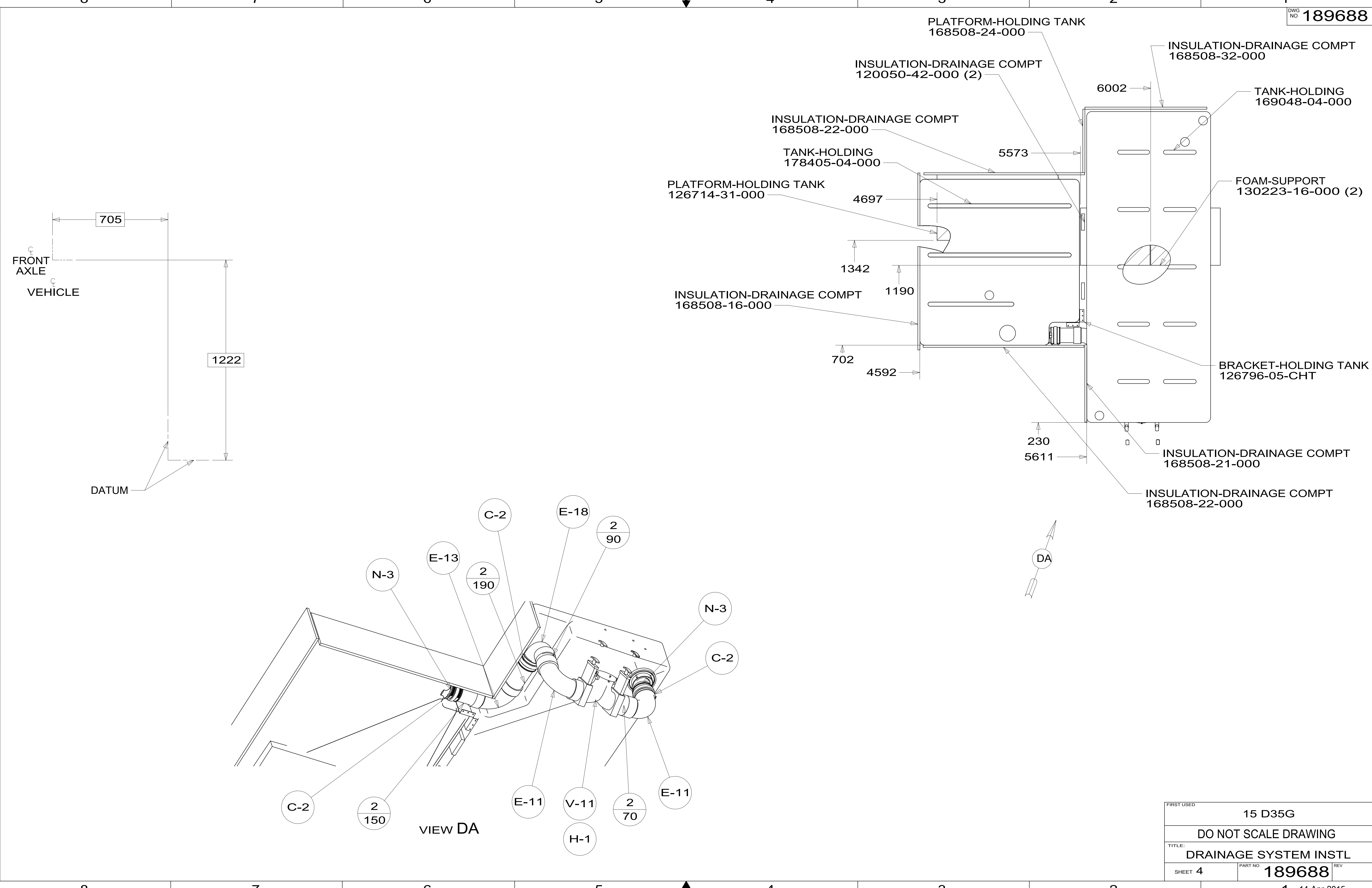
SINK-LAV
164615-01-CHT
SEAL
(A/R)
STRAINER ASM
106116-01-CHT

SINK
173783-01-CHT
BRACKET
140002-01-CHT (8)
SCREW
142261-02-CHT (8)
STRAINER
092303-01-000 (2)
SEAL
091255-03-000
(2130)



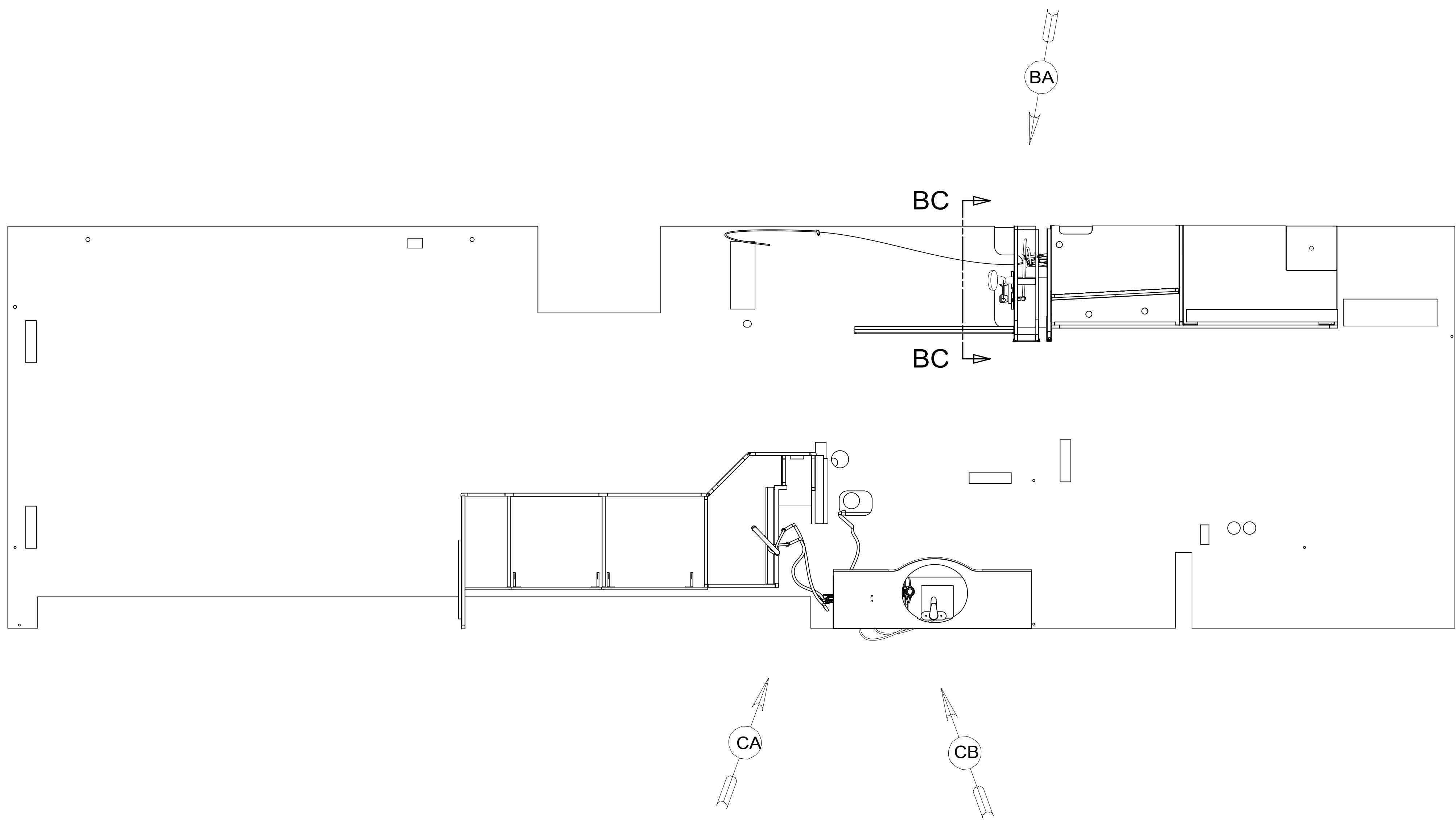
FIRST USED	15 D35G	
TITLE:	DO NOT SCALE DRAWING	
SHEET 3	PART NO	189688
	REV	1
		14-Apr-2015

* 189688



FIRST USED	15 D35G		
DO NOT SCALE DRAWING			
TITLE: DRAINAGE SYSTEM INSTL			
SHEET 4	PART NO	189688	REV
		1	14-Apr-2015

189688

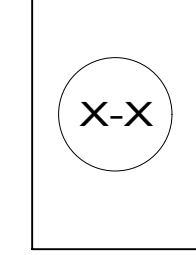


- 10 ALL CRIMP FITTING TO 3/4" PEX TUBING REQUIRE 3/4" CLAMP 140171-05-000.
- 9. SEAL VENT HOLE IN DOOR W/SILICONE SEALANT.
- 8. ALL CRIMP FITTINGS TO 1/2" PEX TUBING REQUIRE 1/2" CLAMP 140171-03-000.
- 7. ALL CRIMP FITTINGS TO 5/8" FLEX TUBING REQUIRE 5/8" CLAMP 140171-04-000.
- 6 LABEL HOT AND COLD SUPPLY TUBES AND TAPE FITTING TO TUBE BEFORE CABINET SET TO PREVENT MOVEMENT.
- 5 ADD PIPE WRAP (LADDER SCRAP 110157-02-000) INSULATION.
- 4 ADD TEFLON TAPE 010405-02-000.
- 3. ALL TUBING TO BE SECURED AT 1200 INTERVALS MAXIMUM WITH CLAMP 010495-01-000 AND SCREW 000G67-10-12U OR EQUIVALENT.
- 2. TUBING TO BE INSTALLED WITH SUFFICIENT SLOPE TO PROVIDE DRAINAGE TO NEAREST VALVE.
- 1. PLASTIC FITTINGS TO BE SEALED WITH SEALANT 084456-01-000.

- 21S WASHER & DRYER-PAIR
- 21M WASHER/DRYER PREP

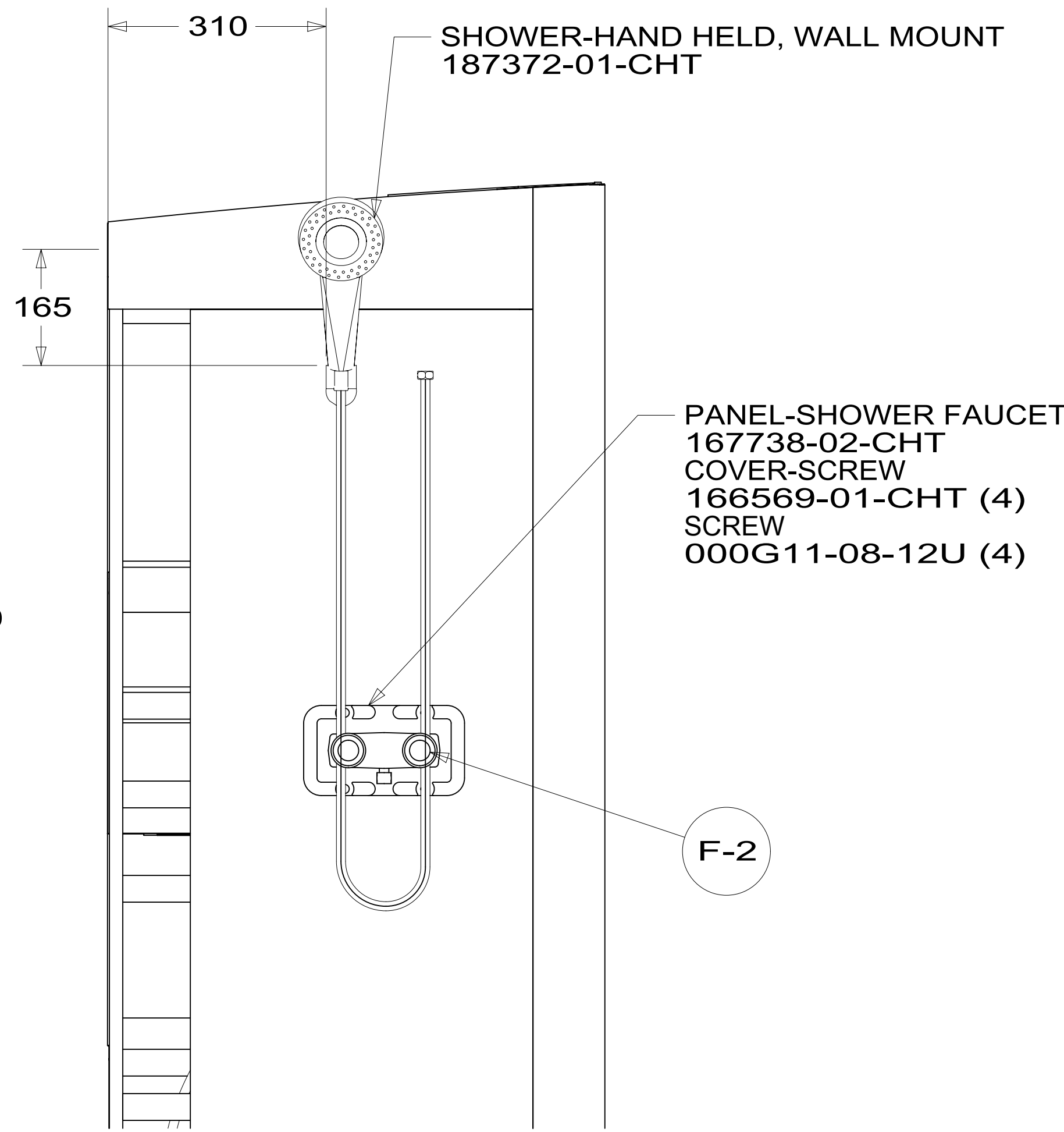
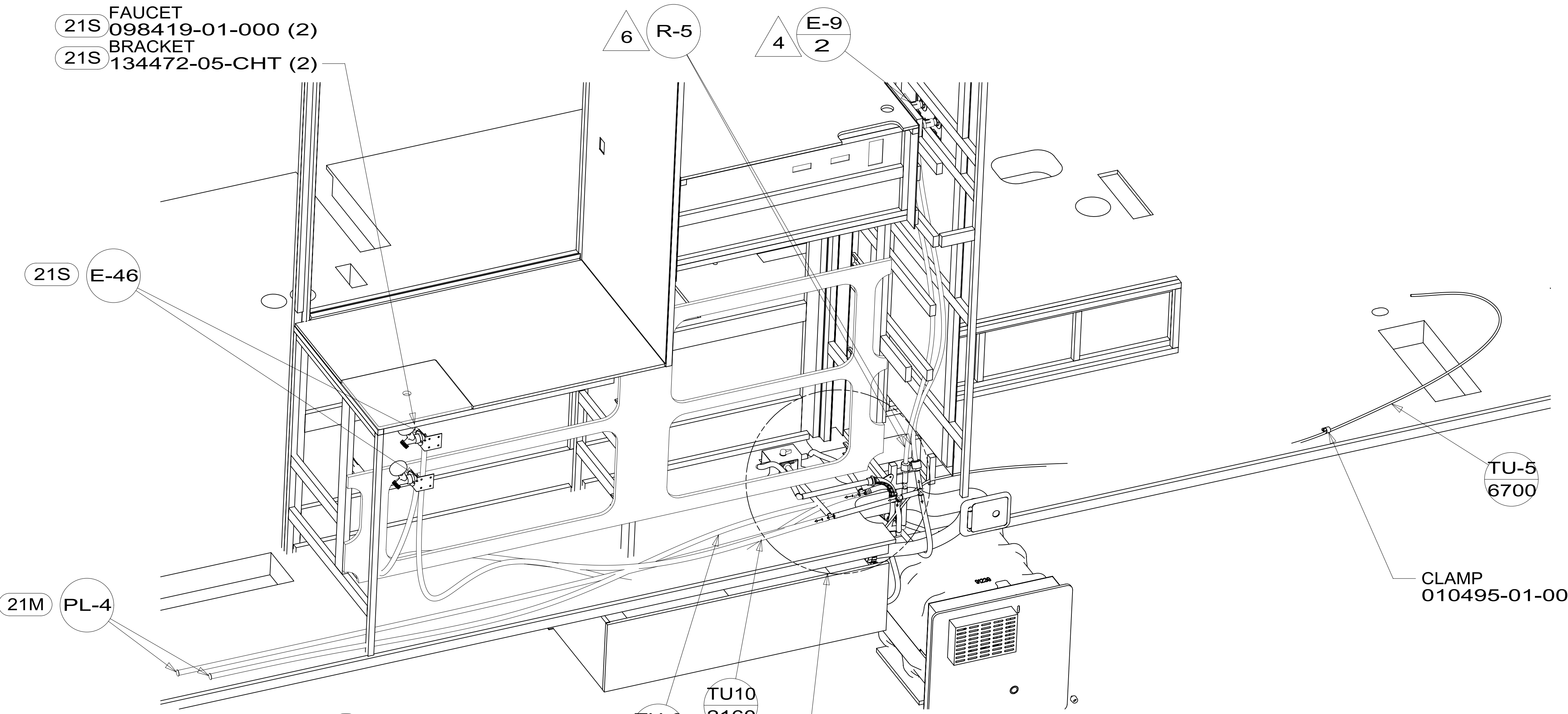
		COPYRIGHT 2014 WINNEBAGO INDUSTRIES, INC.
DFTR	ORIG. DATE	
CHKR	ALL DIMENSIONS ARE IN MILLIMETERS	
P.E.		
M.E.	FIRST USED	
DSNR	15 D35G	
UNSPECIFIED TOLERANCES ARE:		
WHOLE DIM (X)	: 3	
ONE-PLACE (X.X)	:	
TWO-PLACE (X.XX)	:	
ANGLE	:	
THIRD ANGLE PROJECTION		
DO NOT SCALE DRAWING	REFER TO ES0018 FOR FASTENER TIGHTENING GUIDELINES	
TITLE: WATER SYSTEM INSTL		
SHEET 1 OF 5	PART NO	189689
REF:	1	16-Feb-2015

FOR WATER CALLOUTS SEE DWG NO 116230-01-000



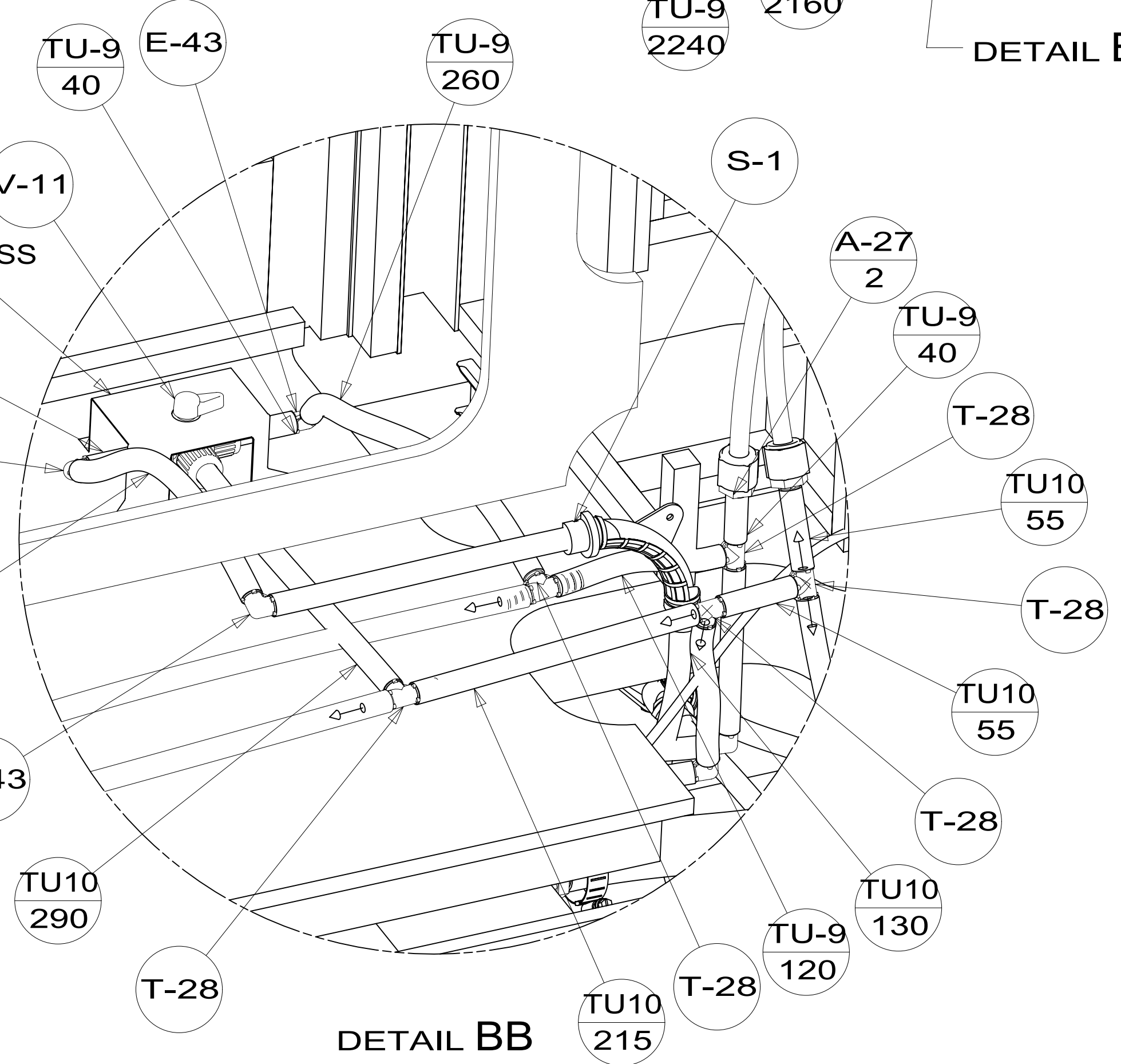
* 189689 A *

FAUCET
21S 098419-01-000 (2)
BRACKET
21S 134472-05-CHT (2)



DETAIL BB VIEW BA

COVER-VALVE, BYPASS
138618-01-CHT



DETAIL BB

FIRST USED	15 D35G
TITLE:	DO NOT SCALE DRAWING
	WATER SYSTEM INSTL
SHEET 2	PART NO 189689 REV

*189689

FAUCET-GALLEY
171482-02-CHT

BREAKER-VACUUM,FLUSHING SYS
125697-04-000
MUST BE MOUNTED ABOVE
TOILET FLOOD LEVEL
CHECK VALVE
125697-03-000

FAUCET-LAV
165730-01-CHT

CLAMP
010495-04-000

DETAIL CD

DETAIL CC

TU-5
230

E-44

TU-8
275

TU-9
775

E-43

TU-9
475

CLAMP
010495-04-000 (2)

A-27

TU-9
130

E-43

TU-9
50

E-43

TU10
865

TU-9
245

A-27

VIEW CA

S-1
2

T-28

TU10
170

T-28
2

T-28

TU-9
425

E-43

CLAMP
010495-04-000

FILTER KIT
160946-01-000
SCREW
000G67-10-12U(2)

TO REFRIGERATOR

VIEW CB

E-43

TU-9
115

E-43

CLAMP
010495-04-000

TU-9
40

E-43

DETAIL CC

TU-9
45

V-24

TU10
50

E-46
2

DETAIL CD
(SHOWN W/OUT CABTS)

TU-9
60

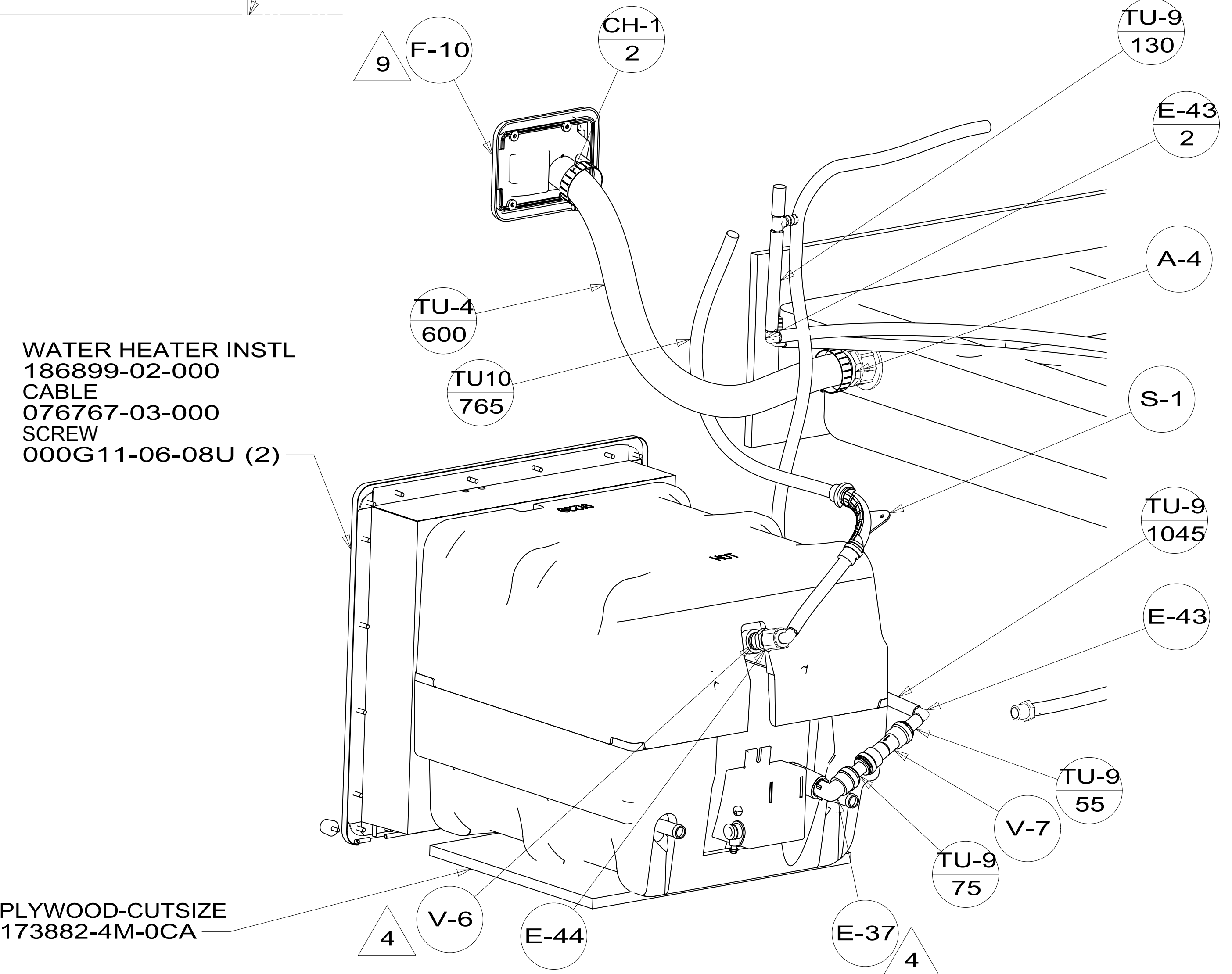
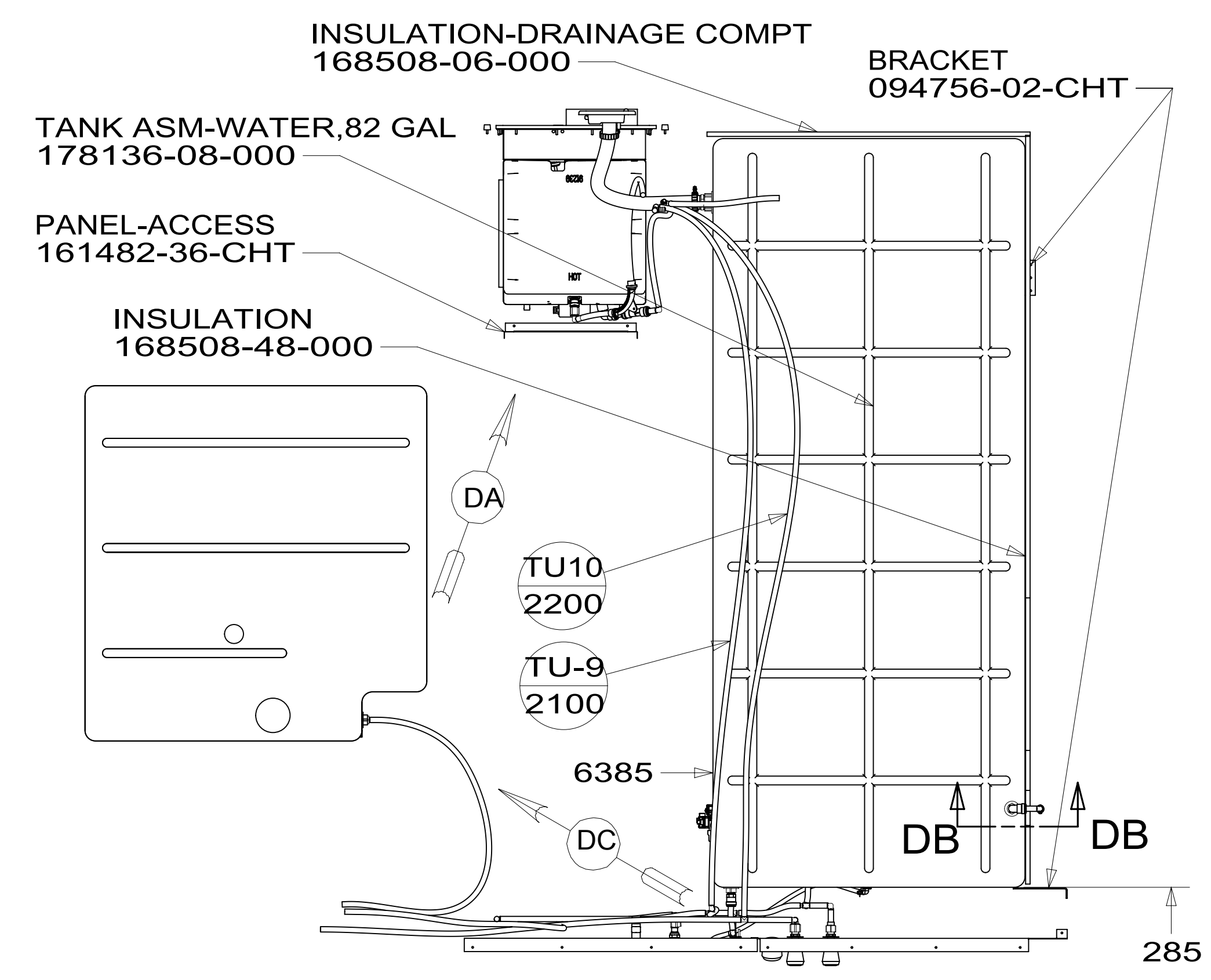
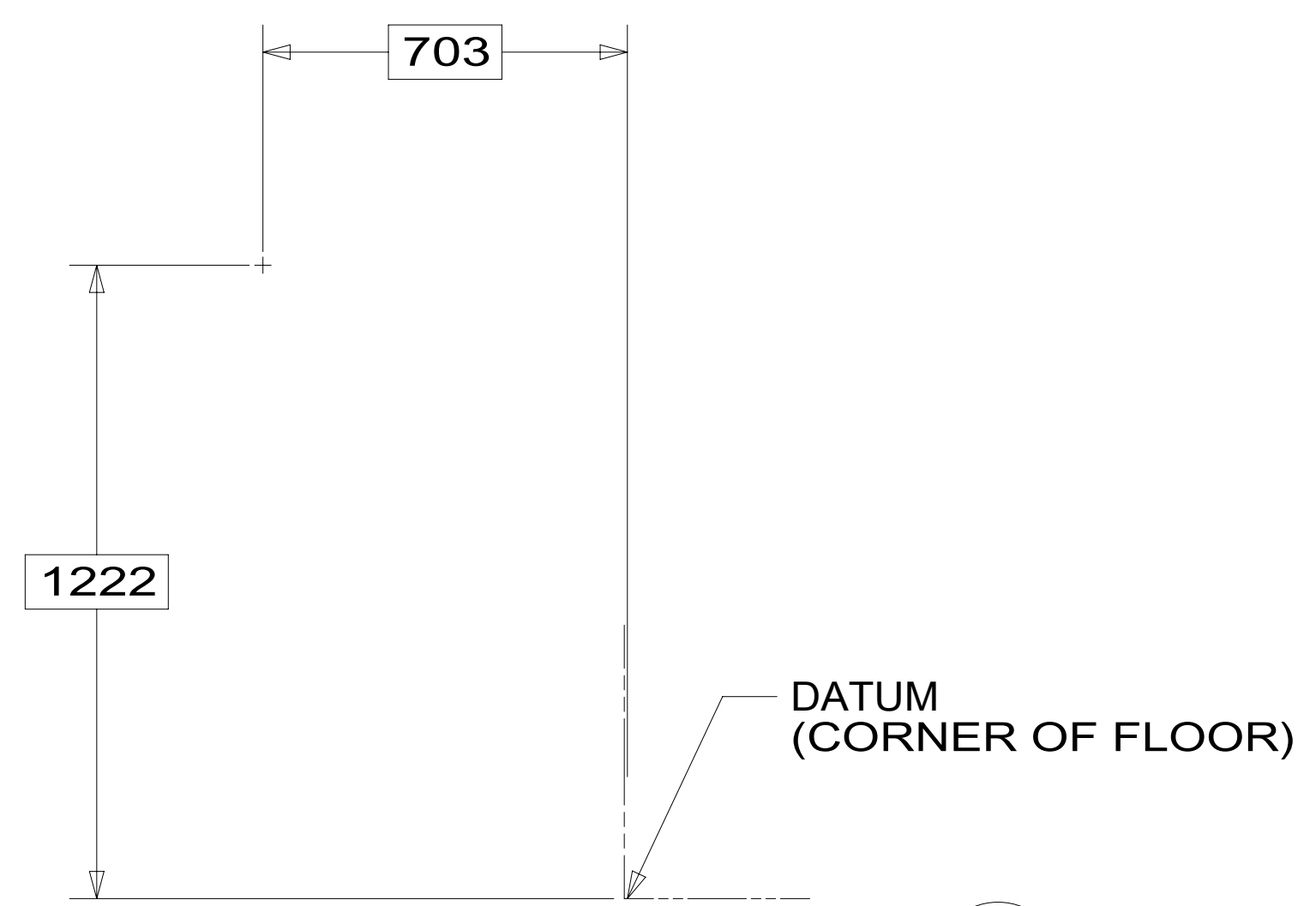
E-43
2

TU-9
480

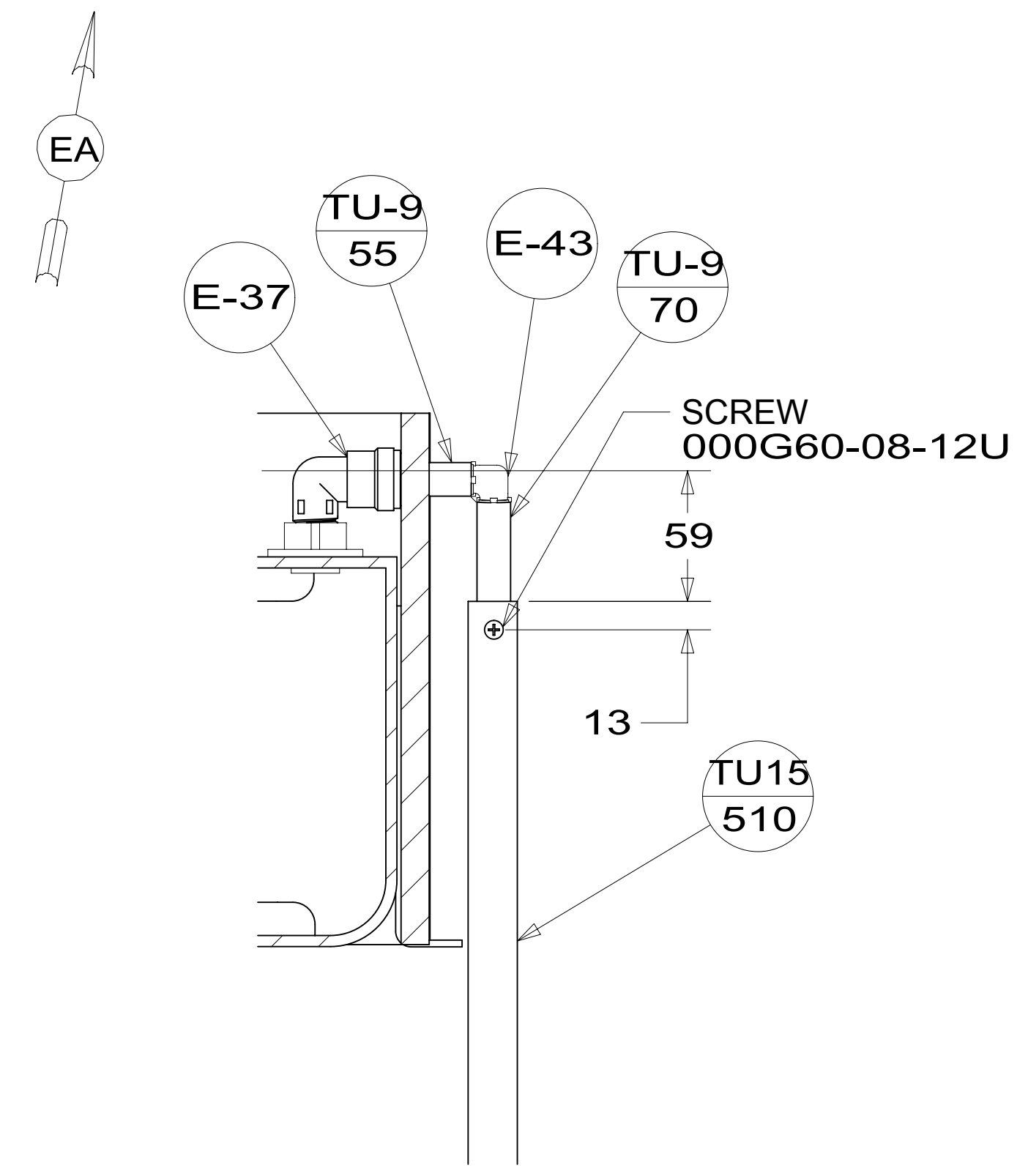
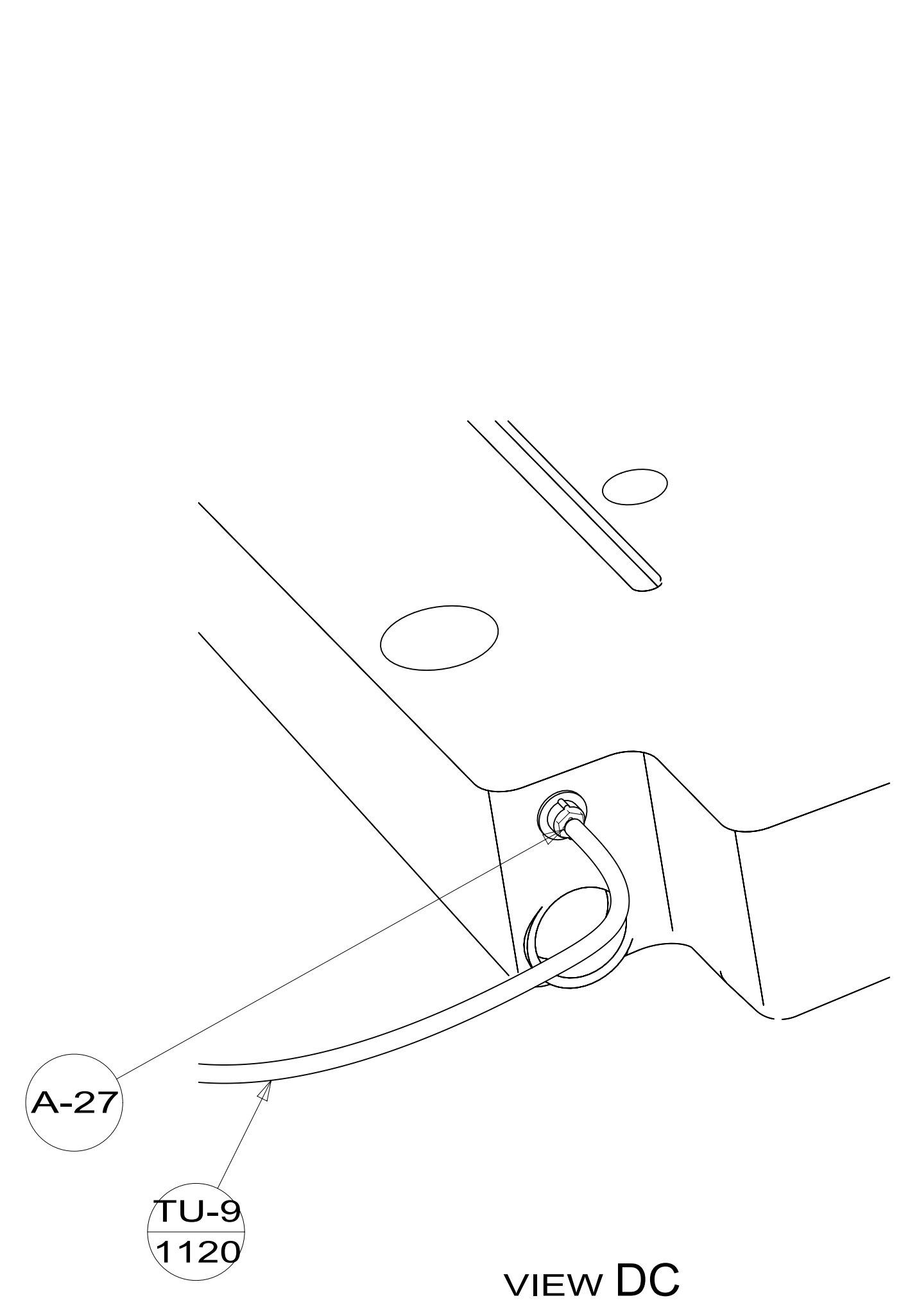
TU10
525

FIRST USED	15 D35G
TITLE:	DO NOT SCALE DRAWING
SHEET 3	PART NO 189689 REV
	16-Feb-2015

* 189689 A *



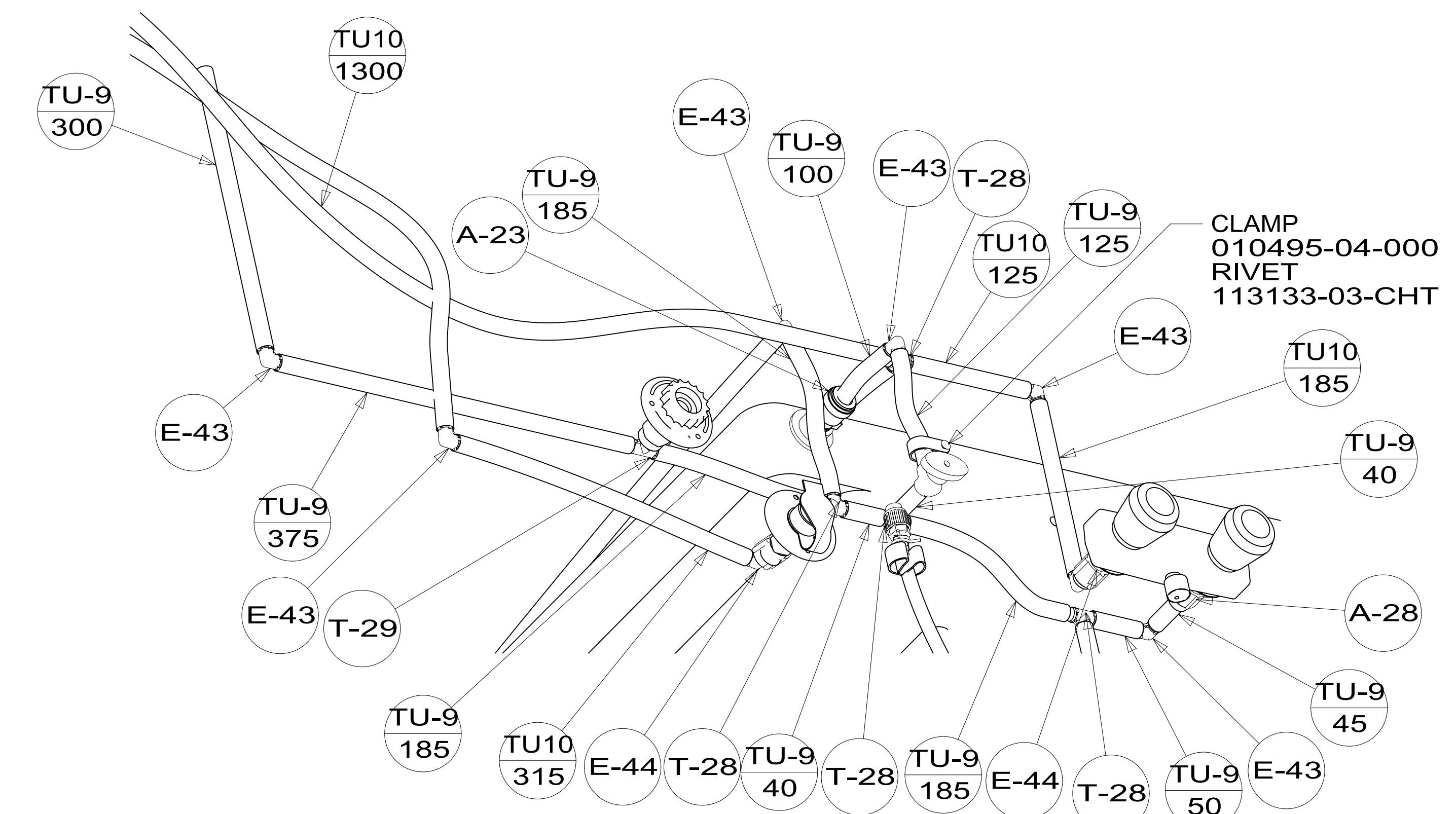
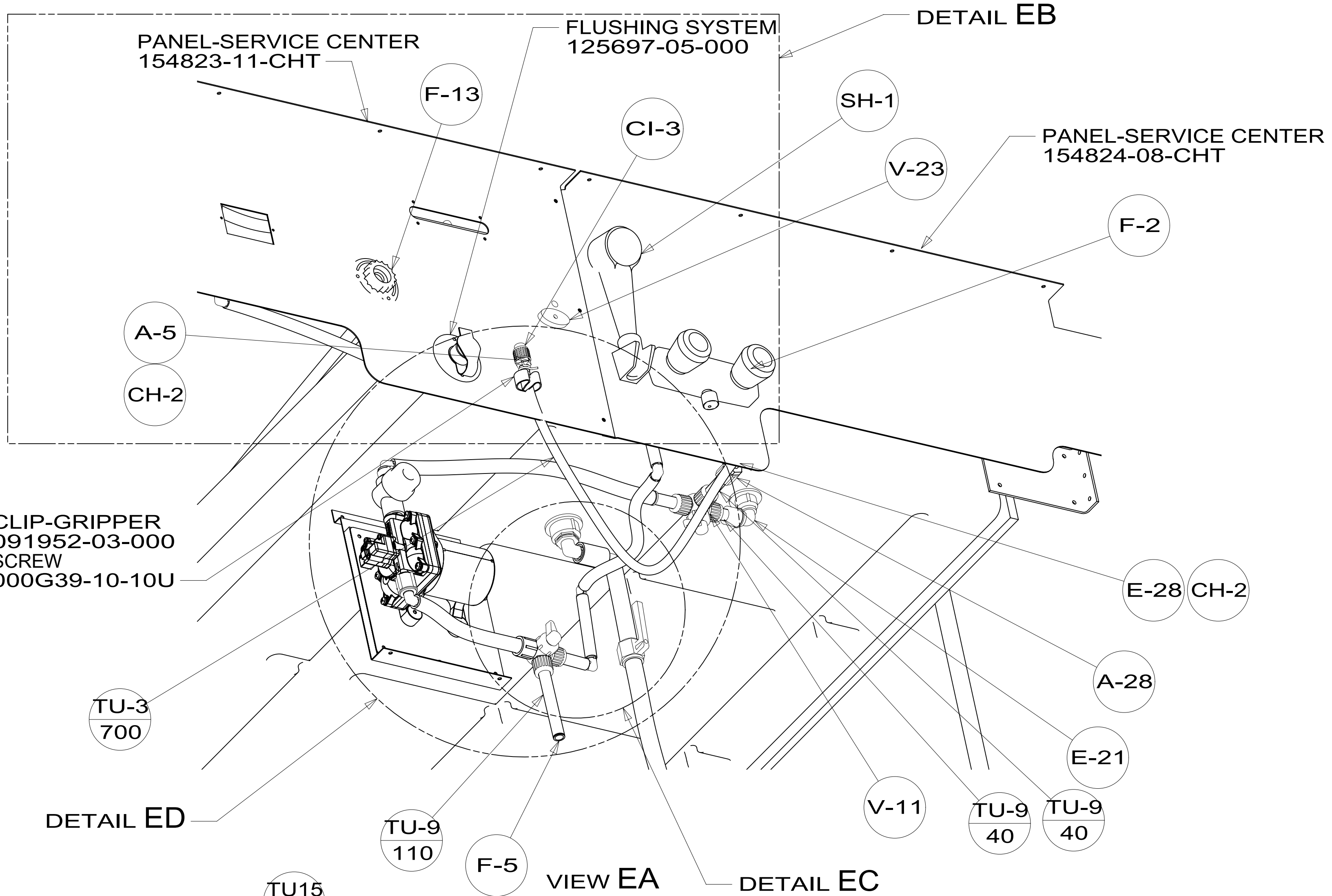
VIEW DA
(W/OUT DRAINAGE TANK)



SECTION DB-DB

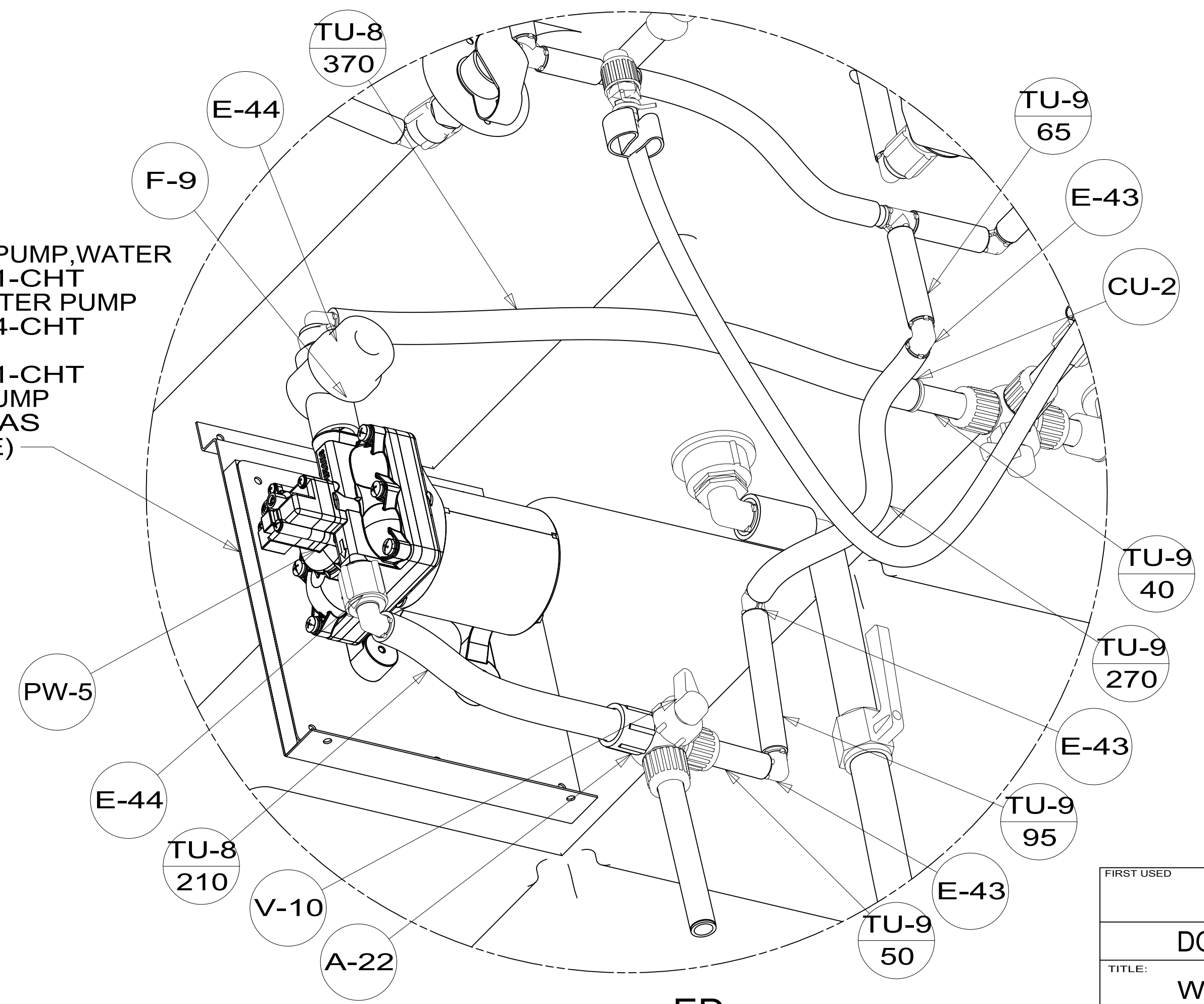
FIRST USED	15 D35G	
DO NOT SCALE DRAWING		
TITLE: WATER SYSTEM INSTL		
SHEET 4	PART NO 189689	REV

* 189689 A *



DETAIL EB
(SHOWN W/OUT PANEL-SERVICE CENTER AND SHOWER HEAD)

BRACKET-PUMP, WATER
169229-01-CHT
PANEL-WATER PUMP
149477-04-CHT
FOAM-PAD
140364-01-CHT
(MOUNT PUMP
AS HIGH AS
POSSIBLE)



DETAIL ED

FIRST USED	15 D35G	
TITLE:	DO NOT SCALE DRAWING	
TITLE:	WATER SYSTEM INSTL	
SHEET 5	PART NO 189689	REV

*189689