

- NOTES:
10. USE SMOOTH PLUMBERS PUTTY 167459-01-000 TO SEAL STRAINER (0.2 PER STRAINER).
 9. APPLY PRIMER 126427-02-000 AND CEMENT 126427-01-000 BETWEEN ELBOW AND FLEX PIPE.
 8. SECURE DRAINAGE PIPES TO CABINET USING WIRE TIE 108046-02-000, AND SCREW 000G67-10-12U AT INTERVALS OF NOT MORE THAN 4 FEET APART.
 7. SECURE VENT PIPE TO TANK WITH CLAMP 062401-02-000.
 6. VENT PIPE MUST PROJECT 51 MIN AND 64 MAX ABOVE ROOF FOR PROPER FIT AND FUNCTION. ADD S-1 (116666-01-CHT SEAL-VENT PIPE) AROUND PIPE ON ROOF BEFORE VENT CAP IS INSTALLED.
 5. SEAL AROUND SHOWER WITH SILICONE.
 4. ATTACH TANK BRACKET TO RISER.
 3. ALL PIPE AND FITTINGS TO BE ASSEMBLED WITH SOLVENT 004020-01-000 (USA), 004020-02-000 (CAN)
 2. SLOPE OF TRAP ARM MUST BE 6 PER 305 mm.
 1. SLOPE OF HORIZONTAL PIPING TO BE MINIMUM OF 3 PER 305 mm.

- 21S WASHER & DRYER-PAIR
- 21M WASHER/DRYER PREP
- 1B1 CODES/STANDARDS-USA
- 265 CODES/STANDARDS-CSA/CMVSS

FOR DRAINAGE CALLOUTS SEE DWG NO 116229-01-000

WINNEBAGO		COPYRIGHT 2014 WINNEBAGO INDUSTRIES, INC.	
DFT-ORIG	ORIG. DATE	ALL DIMENSIONS ARE IN MILLIMETERS	
CHKR		FIRST USED	
P.E.		15 D33C	
M.E.		UNSPECIFIED TOLERANCES ARE:	
DSNR		WHOLE DIM (X)	: 3
		ONE-PLACE (X.X)	: 1.5
		TWO-PLACE (X.XX)	: 0.50
		ANGLE	: 1°
THIRD ANGLE PROJECTION		MATERIAL:	
DO NOT SCALE DRAWING		REFER TO ES0018 FOR FASTENER TIGHTENING GUIDELINES	
TITLE: DRAINAGE SYSTEM INSTL			
SHEET 1 OF 4	PART NO	188970	REV
REF:	1	18-Mar-2014	

* 188970 *

SHOWER INSTL
188831-01-000
STRAINER
066440-01-000
TAILPIECE
011069-06-000
NUT
130403-02-000
WASHER-RUBBER
127440-02-CHT

SINK-LAV
164615-01-CHT
SCREW
000G37-08-12U (6)
SEAL
(A/R)
STRAINER ASM
106116-01-CHT

ADAPTER
165406-02-000

1
300 C-3 1
1710

CP-2 6
1
300 1
2000

VM-1
T-1 1
160 265
1
120 1B1

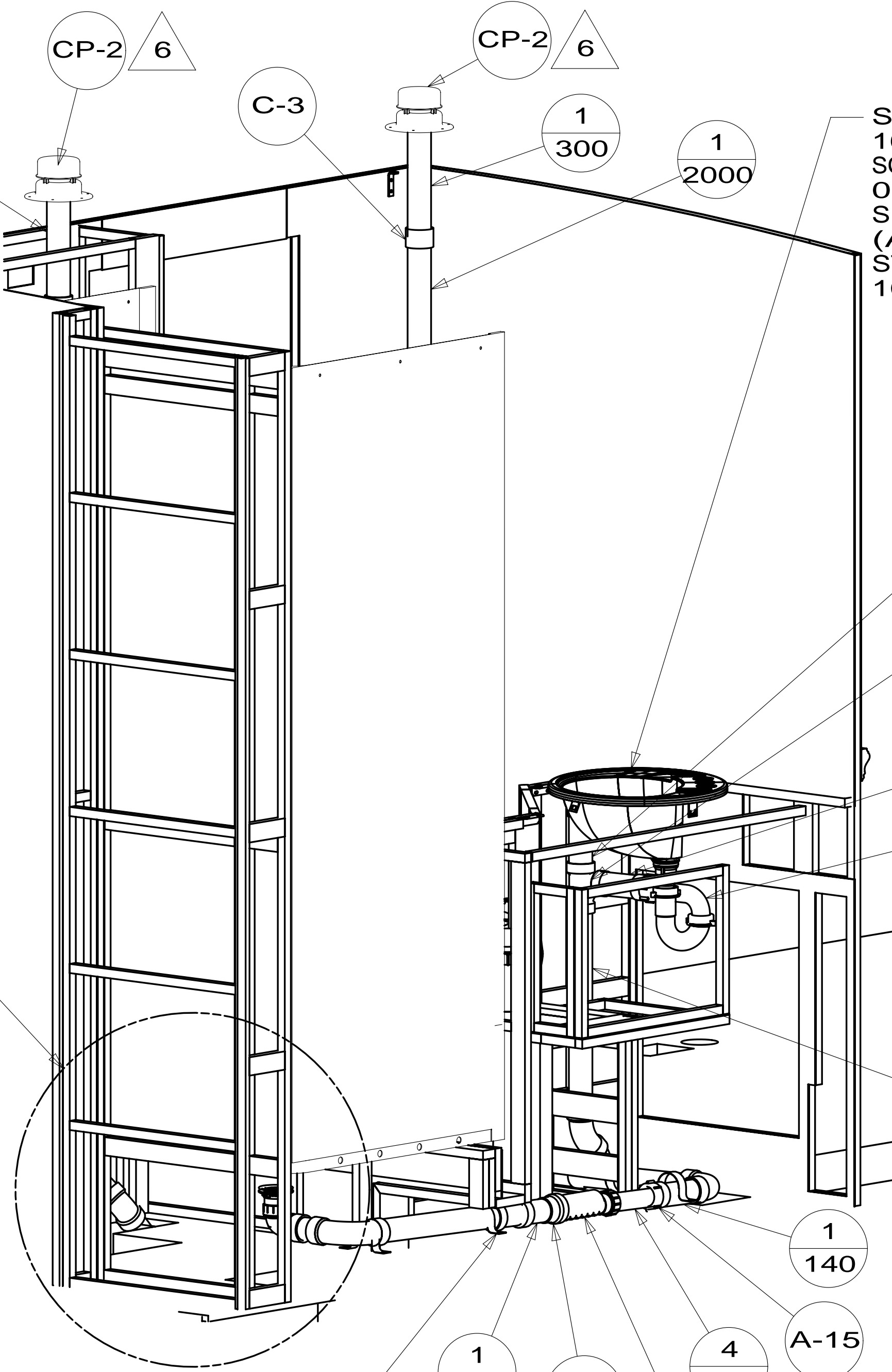
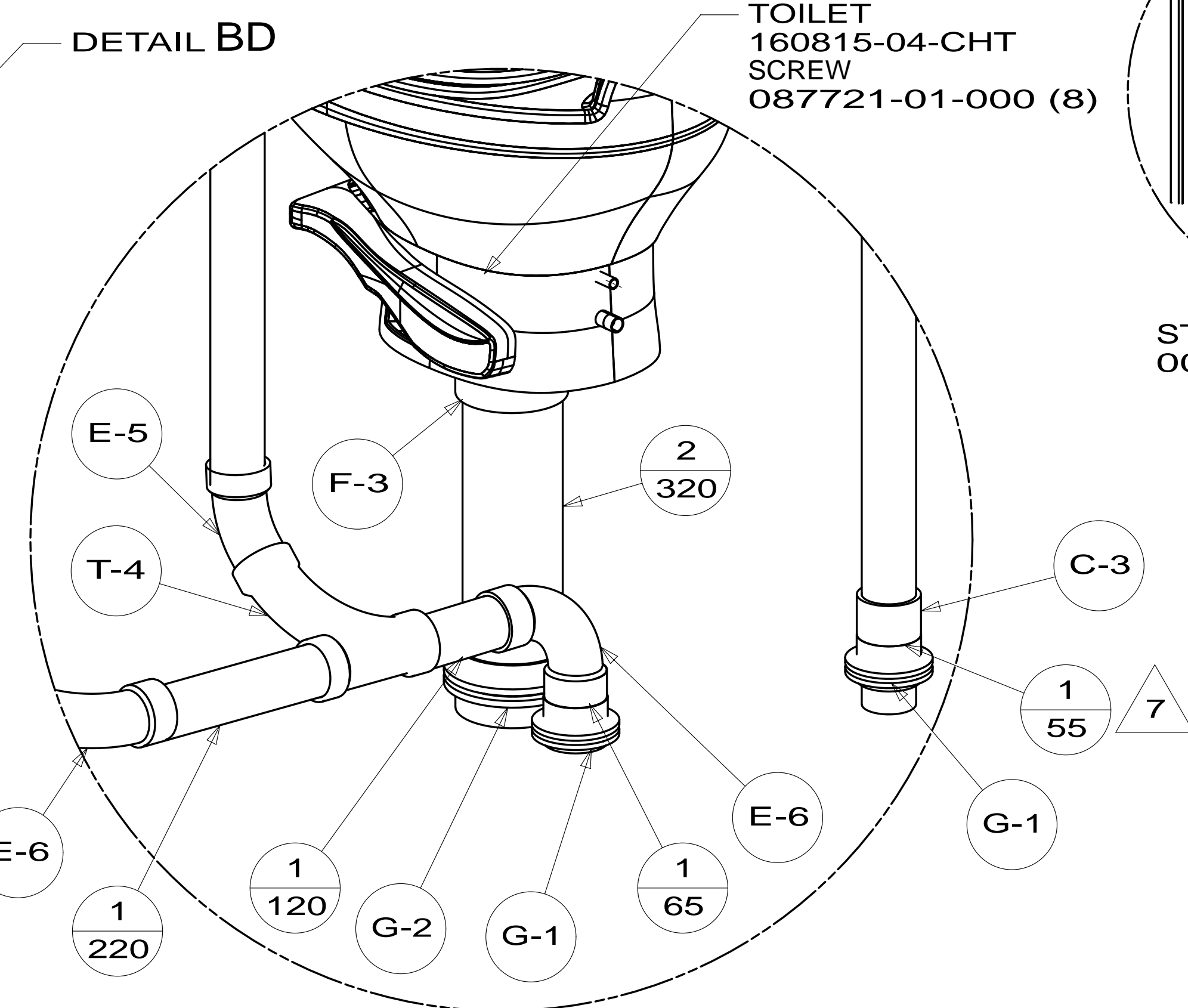
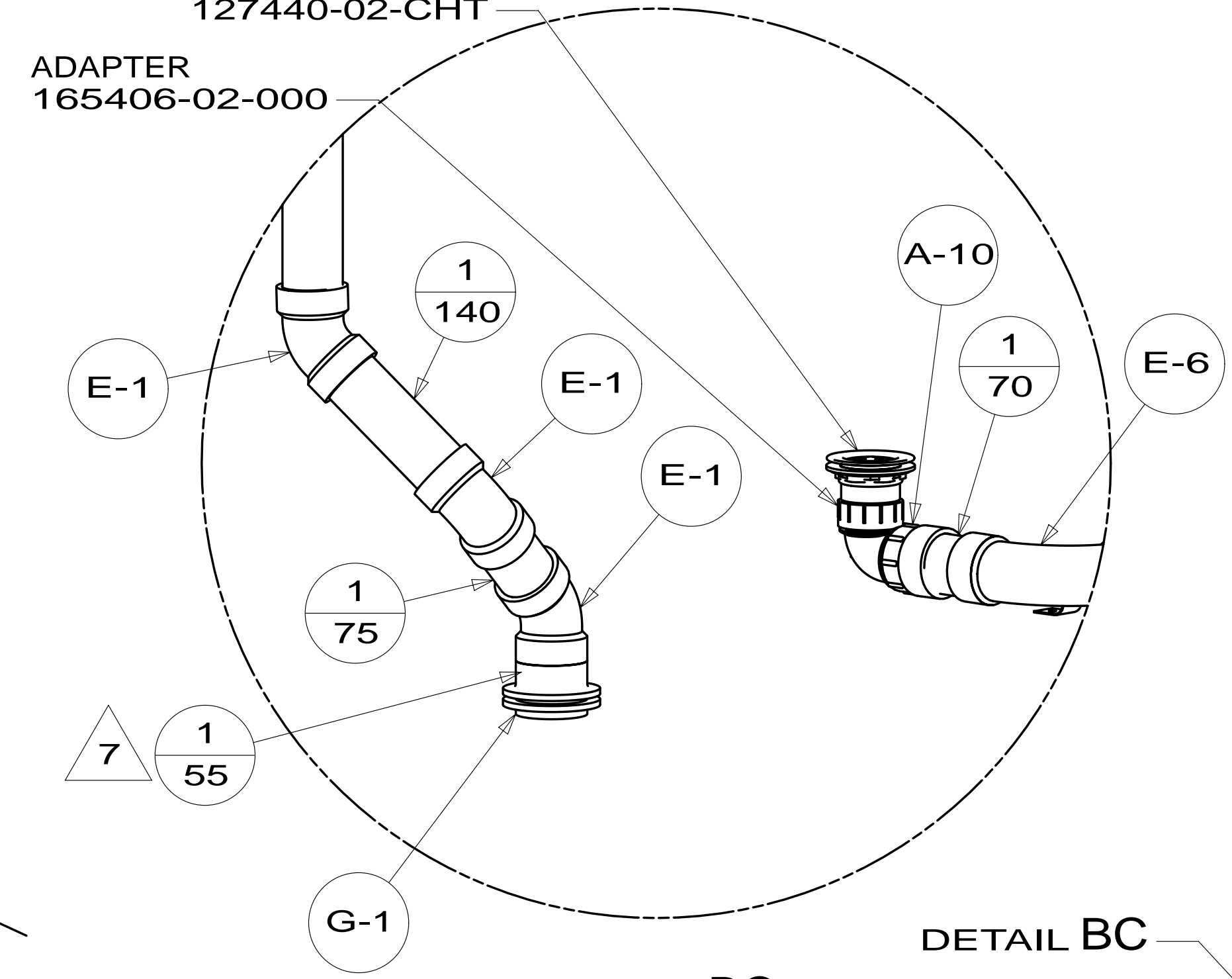
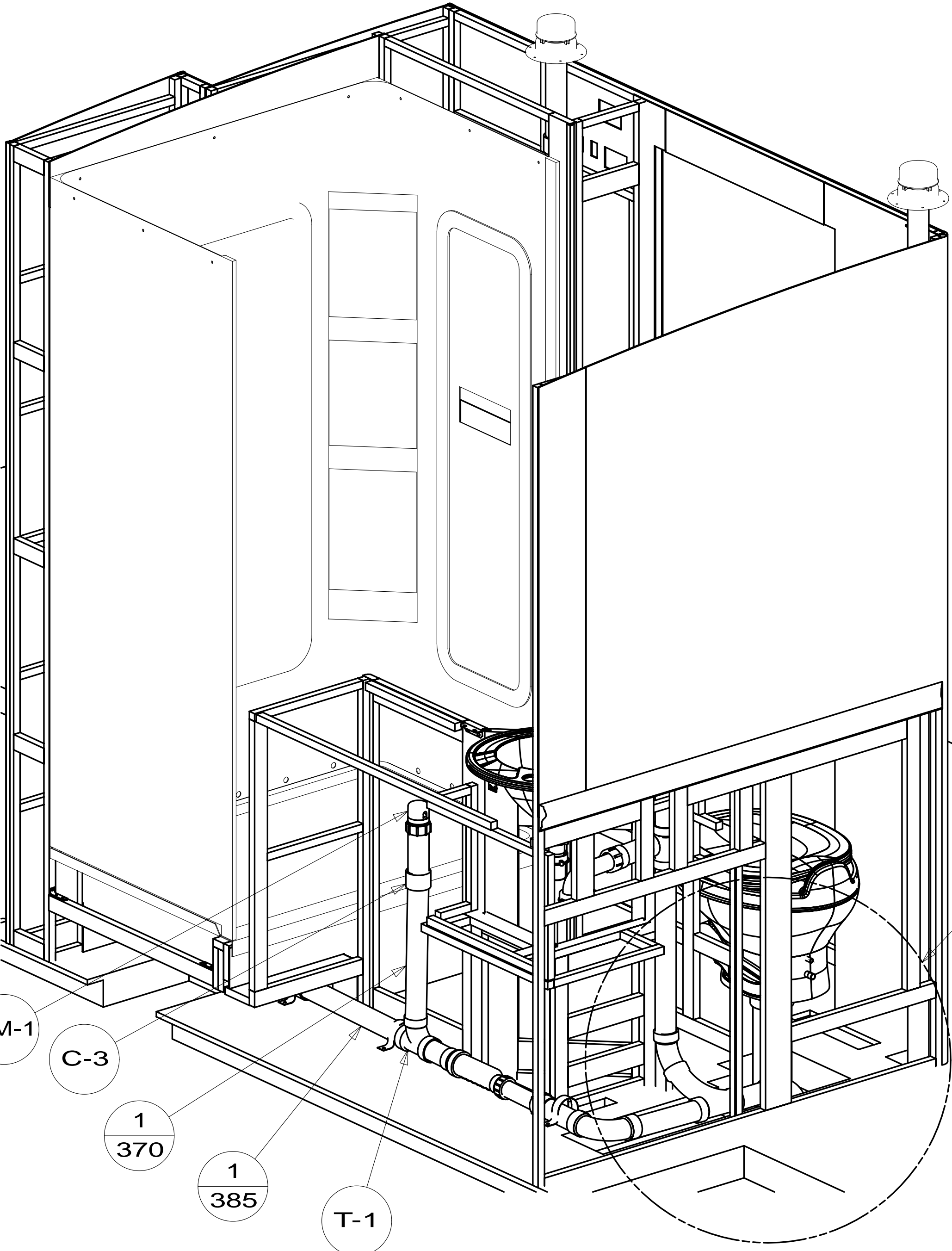
P-1 1B1
P-3 265
A-15 1B1

1
450

1
140
A-15
4
152
TRAP-WATERLESS, 1-1/2"
165406-01-000

STRAP-CONDUIT, 2"
008406-01-000 (3)

TOILET
160815-04-CHT
SCREW
087721-01-000 (8)



VIEW BA

DETAIL BC
(SHOWN W/OUT SHOWER, CABINETS, AND FLOOR)

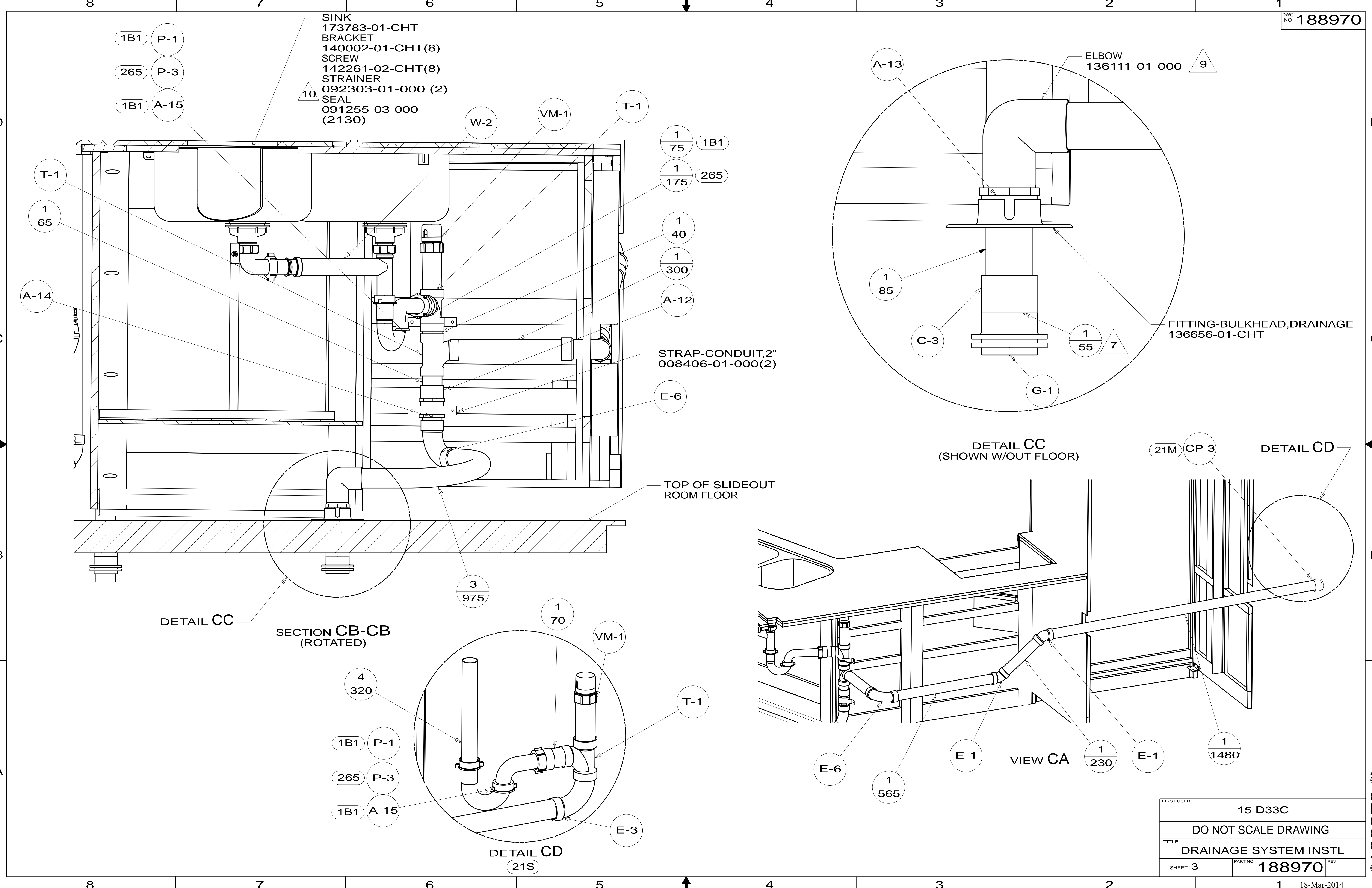
DETAIL BD

DETAIL BD
(SHOWN W/OUT FLOOR AND CABINETS)

VIEW BB

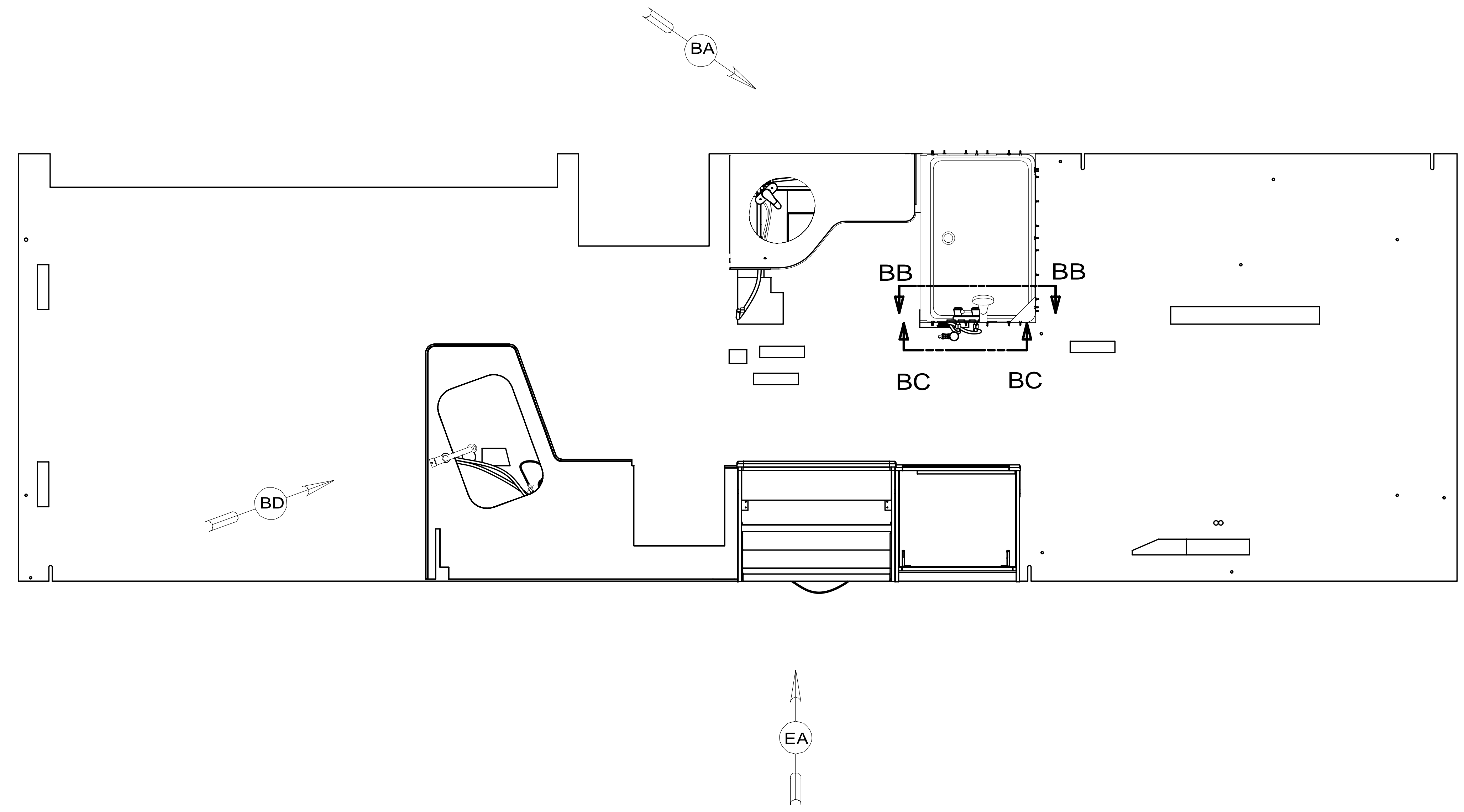
FIRST USED	15 D33C	
TITLE:	DO NOT SCALE DRAWING	
TITLE:	DRAINAGE SYSTEM INSTL	
SHEET 2	PART NO	188970
	REV	
		18-Mar-2014

* 188970 * A



FIRST USED	15 D33C
TITLE:	DO NOT SCALE DRAWING
SHEET 3	PART NO 188970 REV
18-Mar-2014	

* 188970 * A



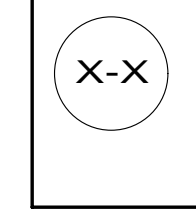
9. ALL CRIMP FITTINGS TO 3/4" PEX TUBING REQUIRE 3/4" CLAMP 140171-05-000.
8. ALL CRIMP FITTINGS TO 1/2" PEX TUBING REQUIRE 1/2" CLAMP 140171-03-000.
7. ALL CRIMP FITTINGS TO 5/8" PEX TUBING REQUIRE 5/8" CLAMP 140171-04-000.
- 6 LABEL HOT AND COLD SUPPLY TUBES AND TAPE FITTING TO TUBE BEFORE CABINET SET TO PREVENT MOVEMENT.
- 5 ADD PIPE WRAP (LADDER SCRAP 110157-02-000) INSULATION.
- 4 ADD TEFLON TAPE 010405-02-000.
3. ALL TUBING TO BE SECURED AT 1200 INTERVALS MAXIMUM WITH CLAMP 010495-01-000 AND SCREW 000G67-10-12U OR EQUIVALENT.
2. TUBING TO BE INSTALLED WITH SUFFICIENT SLOPE TO PROVIDE DRAINAGE TO NEAREST VALVE.
1. PLASTIC FITTINGS TO BE SEALED WITH SEALANT 084456-01-000.

NOTES:

- (21M) WASHER/DRYER PREP
- (21S) WASHER & DRYER-PAIR

		COPYRIGHT 2014 WINNEBAGO INDUSTRIES, INC.
DFT-ORIG	ORIG. DATE	
CHKR	ALL DIMENSIONS ARE IN MILLIMETERS	
P.E.		
M.E.	FIRST USED	
DSNR	15 D33C	
UNSPECIFIED TOLERANCES ARE:		MATERIAL:
WHOLE DIM (X)	: 3	
ONE-PLACE (X.X)	: 1.5	
TWO-PLACE (X.XX)	: 0.50	
ANGLE	: 1°	
THIRD ANGLE PROJECTION		
DO NOT SCALE DRAWING		REFER TO ES0018 FOR FASTENER TIGHTENING GUIDELINES
TITLE: WATER SYSTEM INSTL		
SHEET 1 OF 5	PART NO 188977	REV
REF:	1	19-May-2014

FOR WATER CALLOUTS SEE DWG NO 116230-01-000



* 188977 * A

PANEL-SHOWER FAUCET
167738-02-CHT

SHOWER-HAND
187372-01-CHT

BREAKER-VACUUM
125697-04-000
MUST BE MOUNTED
ABOVE TOILET FLOOD LEVEL
CHECK VALVE
125697-03-000

FAUCET-GAL,SGL CNTL
185364-01-CHT

FILTER KIT-WATER,SINK
160946-01-000
SCREW
000G67-10-12U (2)

F-2

FAUCET-LAV
165730-01-CHT

TO BLACK WATER TANK

TO TOILET

SECTION BC-BC

VIEW BD

S-1

R-4

E-44

TU-8
750

TU10
2255

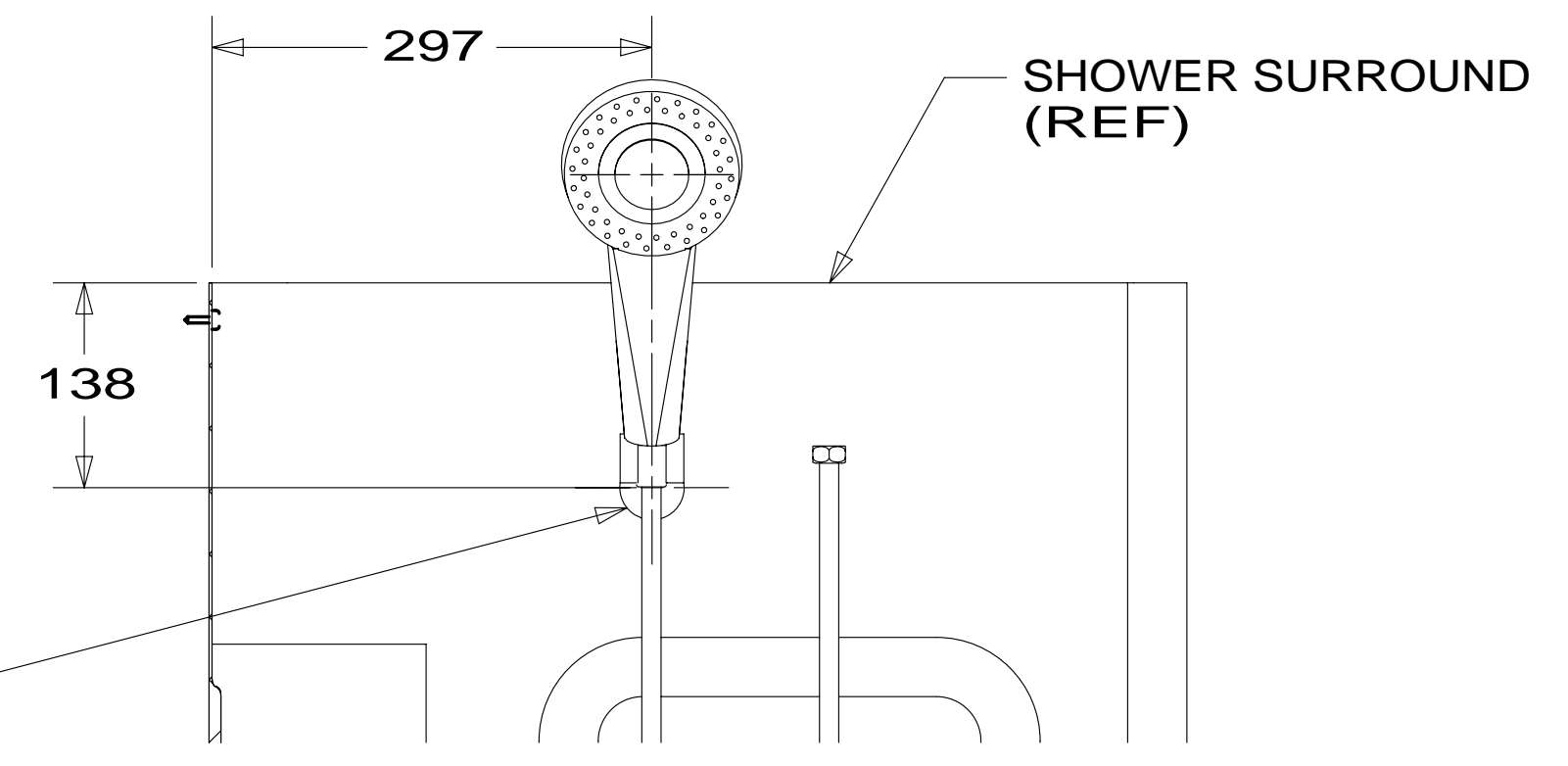
S-1

TU-9
3515

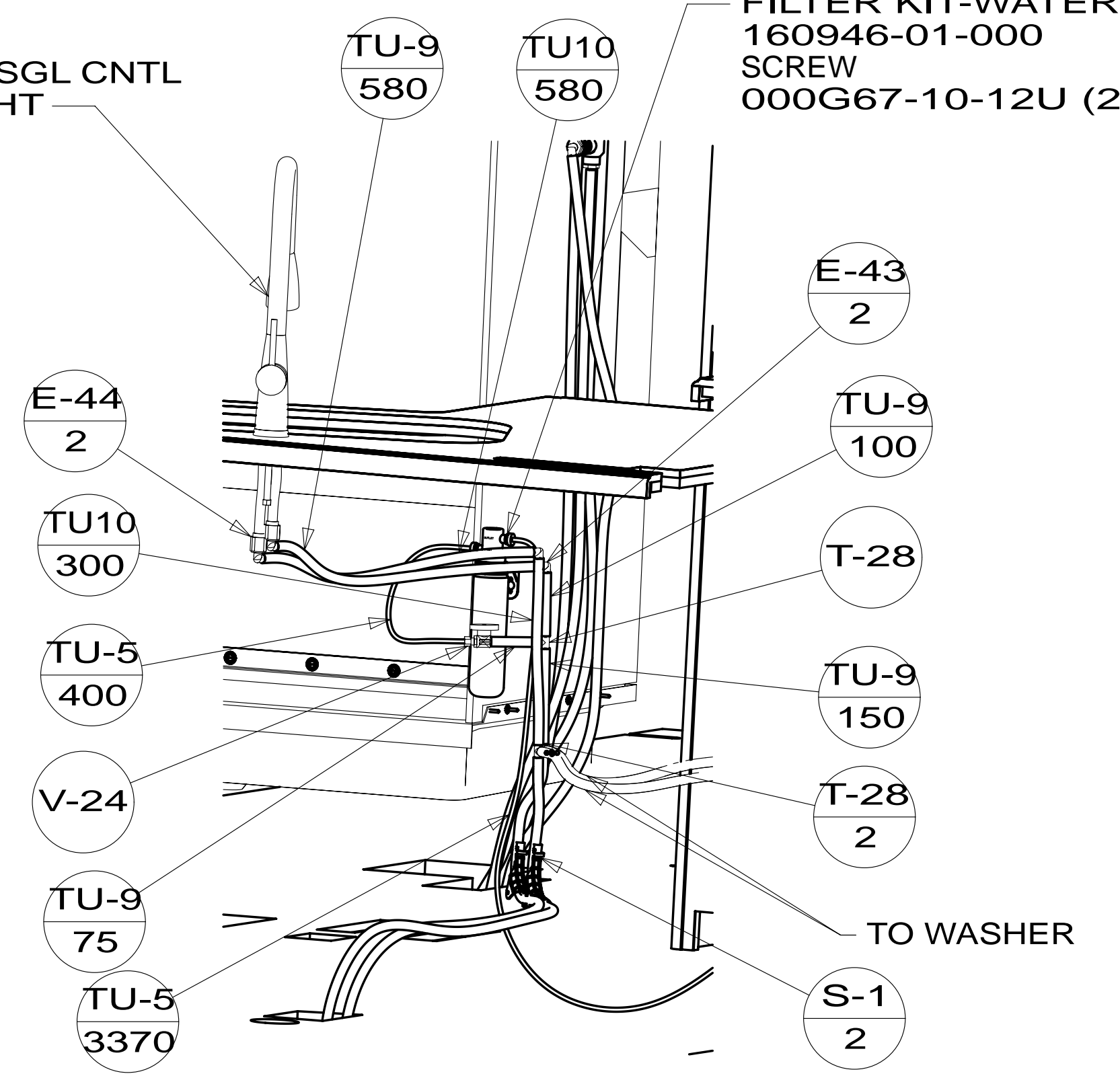
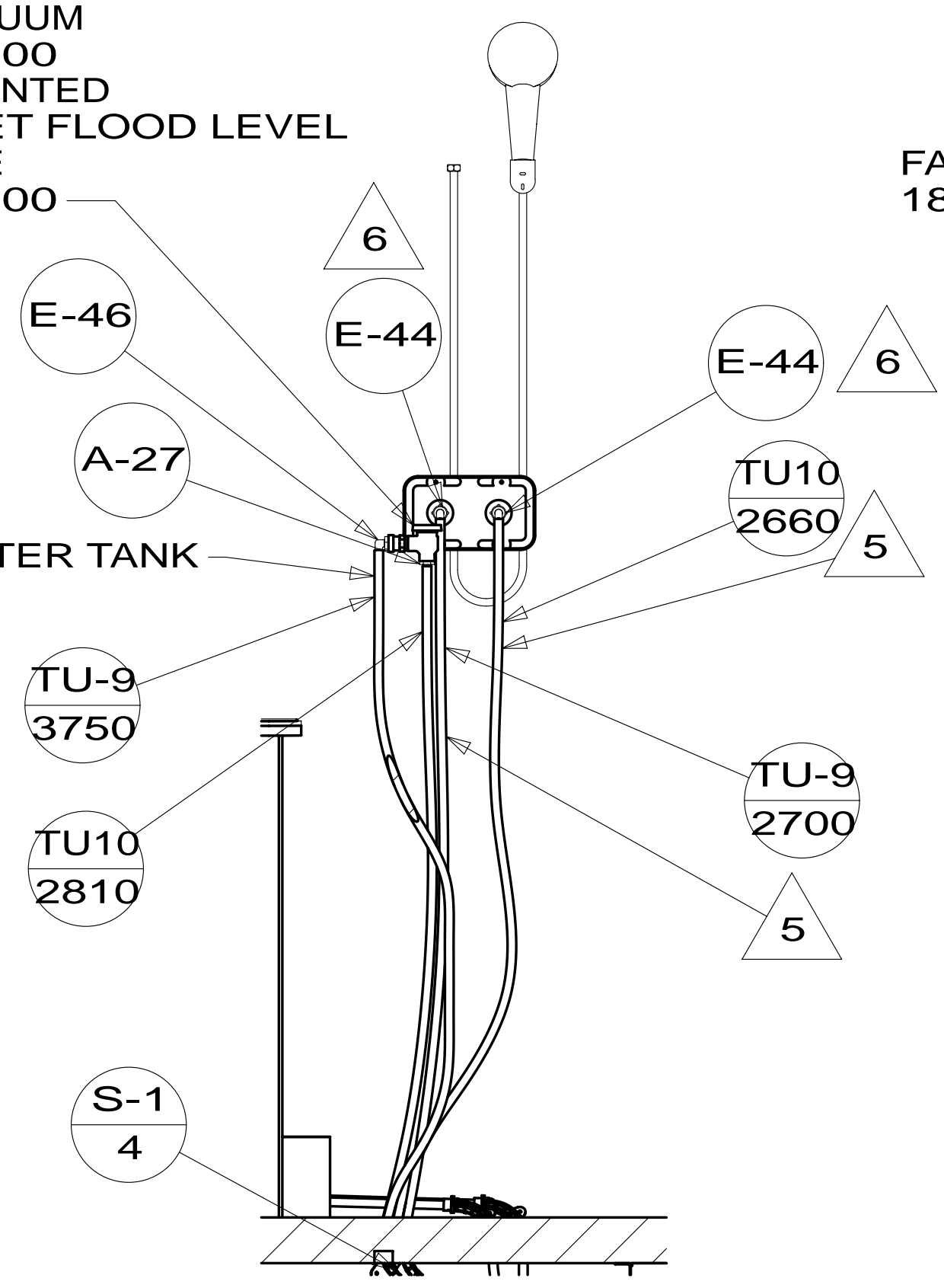
T-29

E-46

VIEW BA



SECTION BB-BB



FIRST USED	15 D33C	
TITLE:	DO NOT SCALE DRAWING	
	WATER SYSTEM INSTL	
SHEET 2	PART NO 188977	REV
	19-May-2014	

* 188977 * A

8

7

6

5

4

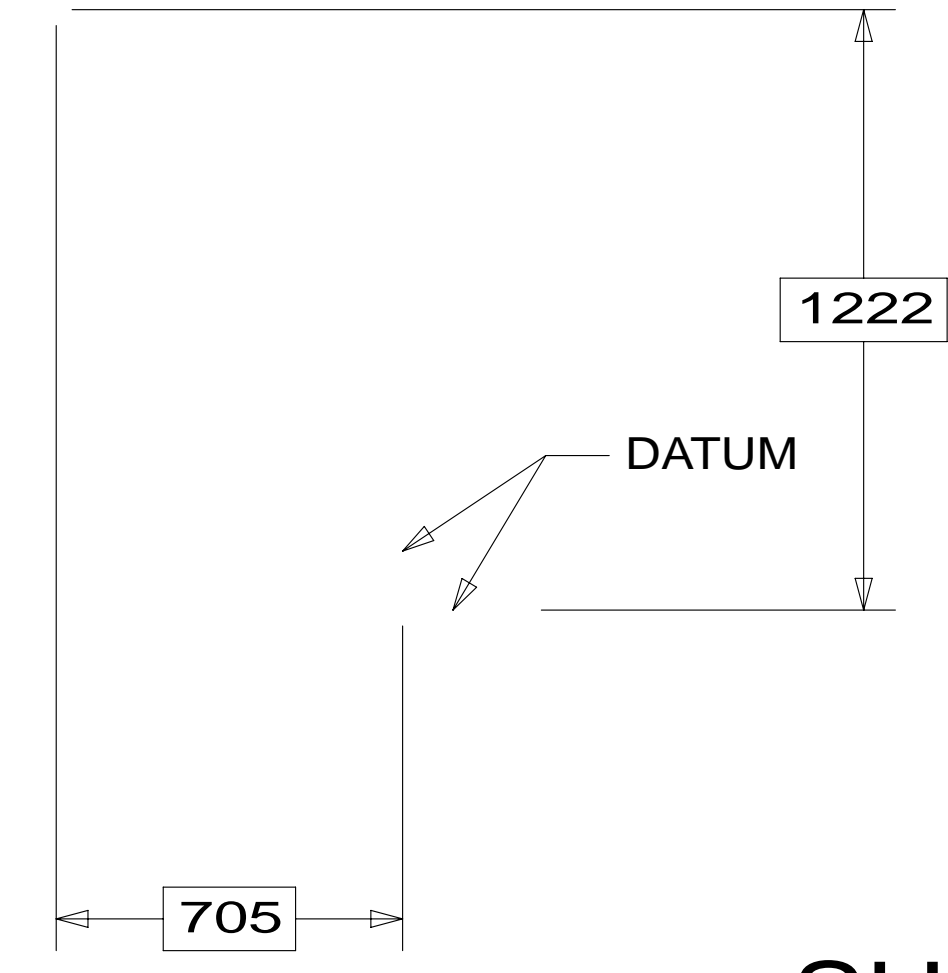
3

2

1

VEHICLE

FRONT AXLE



INSULATION-DRAINAGE COMPT 120050-51-000

INSULATION-DRAINAGE COMPT 181740-08-000

BRACKET-HOLDING TANK 126796-04-CHT

TANK ASM-WATER 179100-04-000

INSULATION-DRAINAGE COMPT 120050-62-000

BRACKET-ANGLE,W/HOLES 094756-02-CHT

BRACKET-ANGLE,W/HOLES 094756-02-CHT

TO GALLEY

TU10 4600

TU-9 4600

E-46

498

5828

DB DB

DC

DA

CB

CA

SHOWING LINES UNDER FLOOR

TO GALLEY

E-43

TU10 40

T-28

TU10 310

TU10 345

TO SHOWER

TU10 40

S-1

TO GALLEY

T-28

TU10 40

T-28

TO LAV

E-43

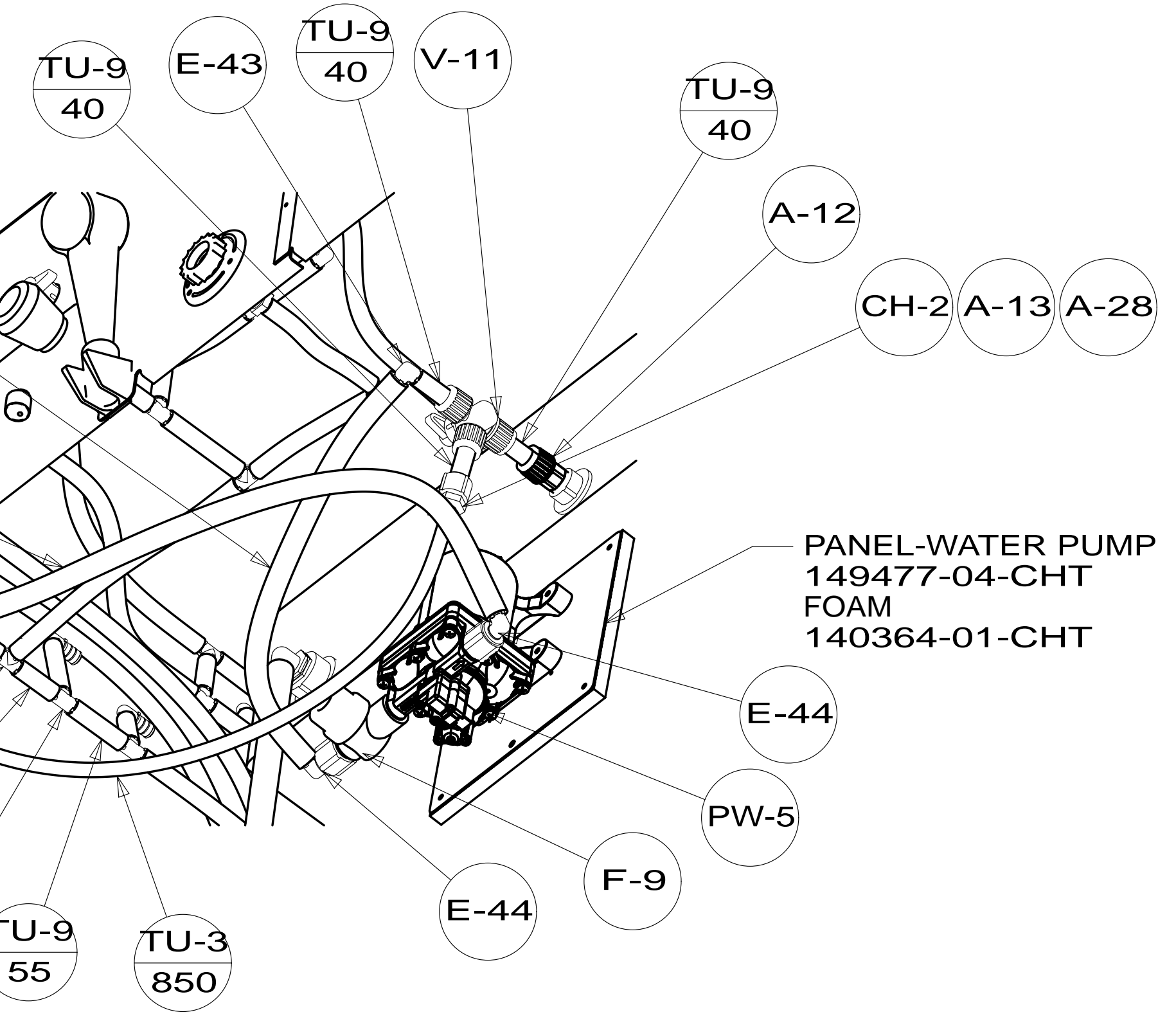
TU-9 40

E-43

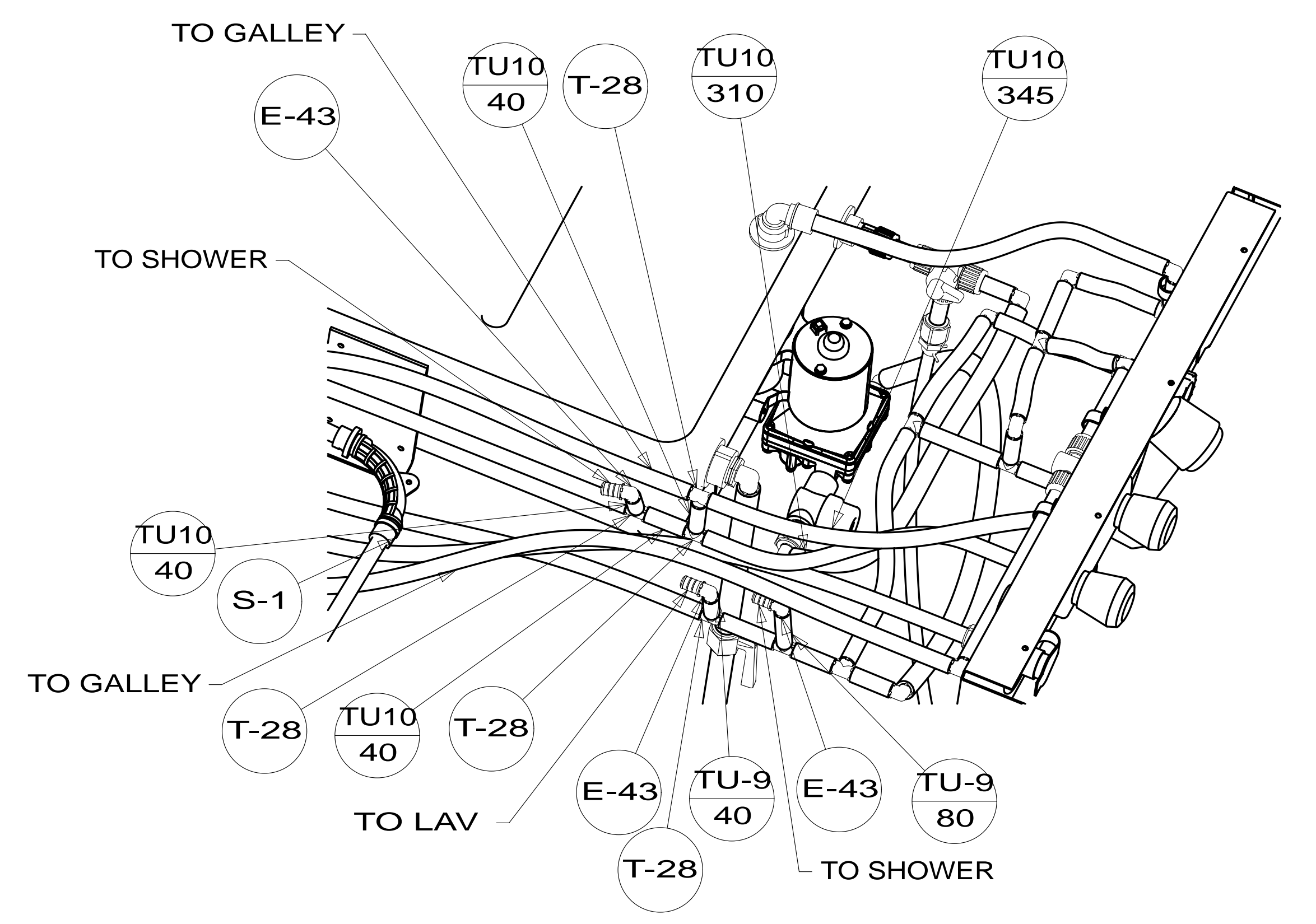
TU-9 80

TO SHOWER

T-28



VIEW CA



VIEW CB

FIRST USED	15 D33C	
TITLE:	DO NOT SCALE DRAWING	
SHEET 3	PART NO	188977
	REV	
19-May-2014		

*188977 A

WATER HEATER INSTL
186899-02-000

PANEL-SERVICE CENTER
150123-29-CHT

PANEL-SERVICE CENTER
150122-08-CHT

PANEL-ACCESS,10GAL
161482-05-CHT

GROMMET
071015-39-000

FLUSHING SYSTEM
125697-05-000
SCREW
000G11-08-12U(2)

CLAMP
010495-04-000 (3)
RIVET
113133-03-CHT (3)

CLIP-GRIPPER
091952-03-000

VIEW DA

DETAIL DD

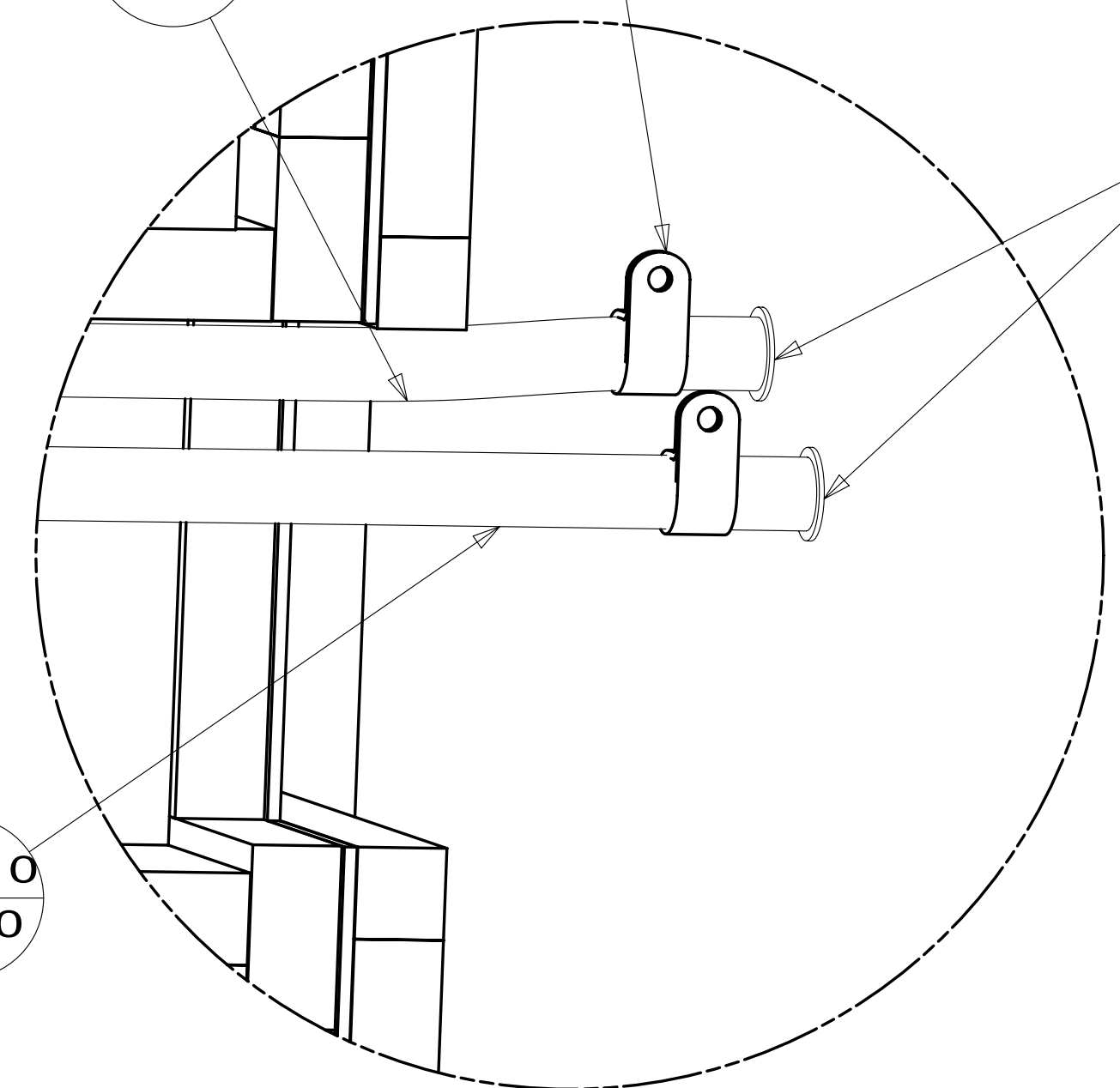
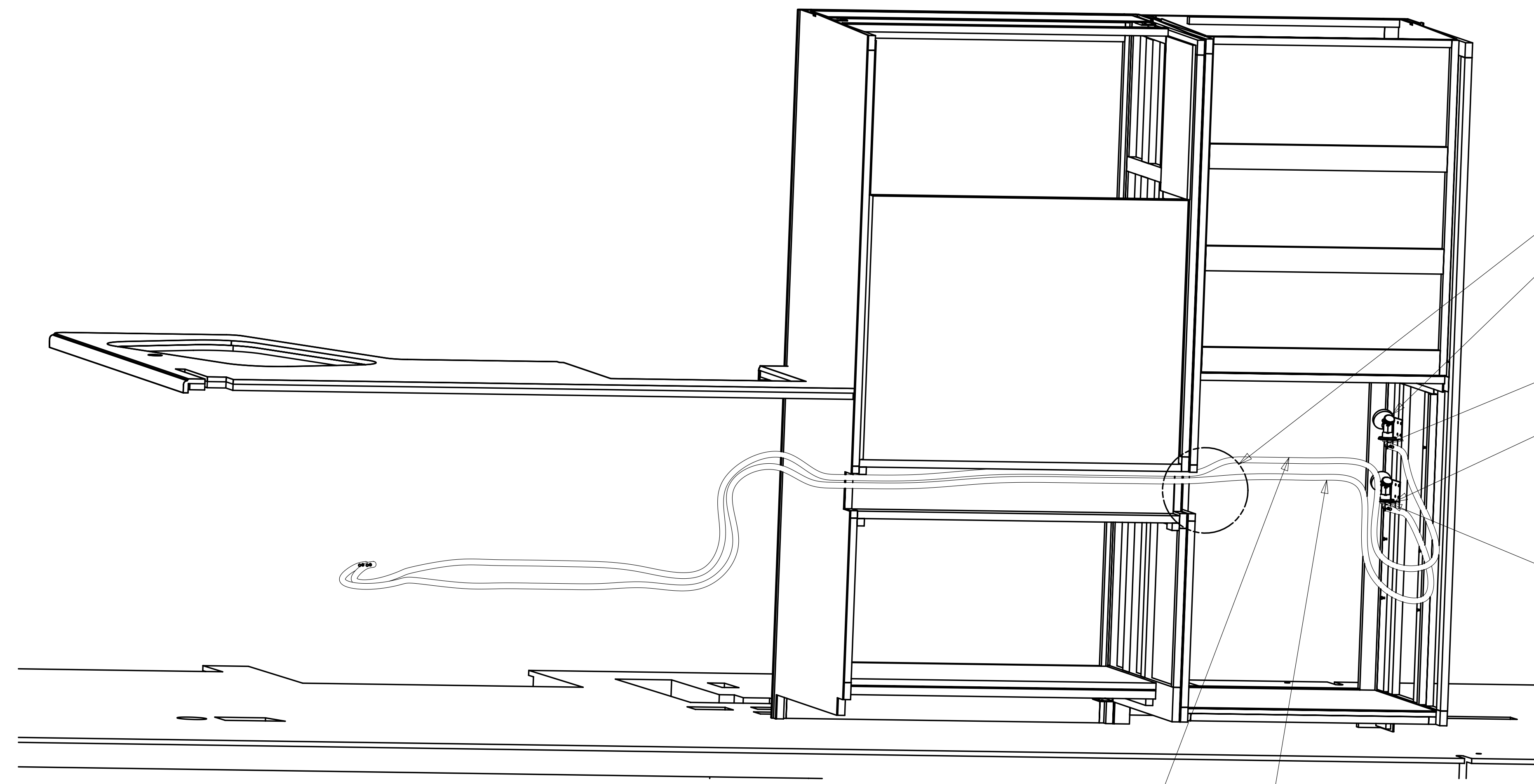
SECTION DB-DB

DETAIL DD

VIEW DC

FIRST USED	15 D33C	
TITLE:	DO NOT SCALE DRAWING	
SHEET 4	PART NO	188977
	REV	

* 188977 *



VIEW EA
(21S)

DETAIL EB
(21M)

FIRST USED	15 D33C		
DO NOT SCALE DRAWING			
TITLE:	WATER SYSTEM INSTL		
SHEET 5	PART NO	188977	REV