

FRONT OF COACH

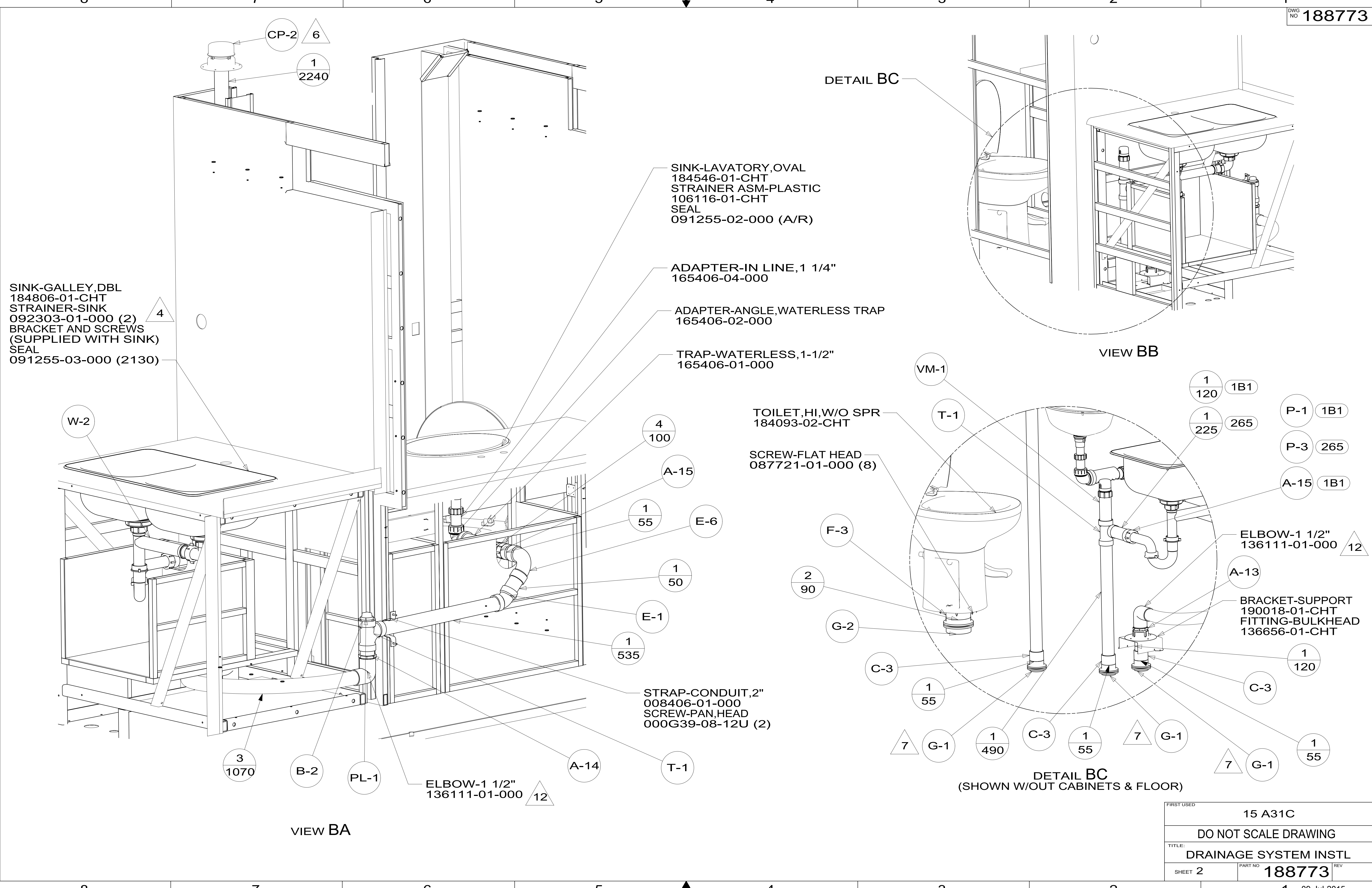
- NOTES:
1. SLOPE OF HORIZONTAL PIPING TO BE MINIMUM OF 3 PER 305 mm.
 2. SLOPE OF TRAP ARM MUST BE 6 PER 305 mm.
 3. ALL PIPE AND FITTINGS TO BE ASSEMBLED WITH SOLVENT 004020-01-000 (USA), 004020-02-000 (CAN).
 4. USE SMOOTH PLUMBERS PUTTY 167459-01-000 TO SEAL STRAINER (0.2 PER STRAINER).
 5. SEAL AROUND SHOWER WITH SILICONE.
 6. VENT PIPE MUST PROJECT 51 MIN AND 64 MAX ABOVE ROOF FOR PROPER FIT AND FUNCTION. ADD S-1 (116666-01-CHT SEAL-VENT PIPE) AROUND PIPE ON ROOF BEFORE VENT CAP IS INSTALLED.
 7. SECURE VENT PIPE TO TANK WITH CLAMP 062401-02-000.
 8. SECURE DRAINAGE PIPES TO CABINET USING WIRE TIE 108046-02-000, AND SCREW 000G67-10-12U AT INTERVALS OF NOT MORE THAN 4 FEET APART.
 9. SEE DRAWING 061607 FOR INSTALLATION OF GROMMETS.
 10. VALVE TERMINATION TEE TO BE POSITIONED AT 10° DOWN AND OUTBOARD.
 11. PREP THE SURFACE PER MANUFACTURERS INSTRUCTIONS BEFORE APPLYING THE HEAT PAD.
 12. APPLY PRIMER 126427-02-000 AND CEMENT 126427-01-000 BETWEEN ELBOW AND FLEX PIPE.

- 23T DRAINAGE SYSTEM-HEATED
- 1B1 CODES/STANDARDS USA
- 265 CODES/STANDARDS-CSA/CMVSS

FOR DRAINAGE CALLOUTS SEE DWG NO 116229-01-000

		COPYRIGHT 2014 WINNEBAGO INDUSTRIES, INC.
DFT-ORIG	ORIG. DATE	
CHKR	ALL DIMENSIONS ARE IN MILLIMETERS	
P.E.		
M.E.	FIRST USED	
DSNR	15 A31C	
UNSPECIFIED TOLERANCES ARE:		
WHOLE DIM (X)	: 3	MATERIAL:
ONE-PLACE (X.X)	: 1.5	
TWO-PLACE (X.XX)	: 0.50	
ANGLE	: 1°	
THIRD ANGLE PROJECTION		
DO NOT SCALE DRAWING	REFER TO ES0018 FOR FASTENER TIGHTENING GUIDELINES	
TITLE: DRAINAGE SYSTEM INSTL		
SHEET 1 OF 4	PART NO 188773	REV
REF:	1	09-Jul-2015

*188773 *A



SINK-GALLEY, DBL
184806-01-CHT
STRAINER-SINK
092303-01-000 (2)
BRACKET AND SCREWS
(SUPPLIED WITH SINK)
SEAL
091255-03-000 (2130)

SINK-LAVATORY, OVAL
184546-01-CHT
STRAINER ASM-PLASTIC
106116-01-CHT
SEAL
091255-02-000 (A/R)

ADAPTER-IN LINE, 1 1/4"
165406-04-000

ADAPTER-ANGLE, WATERLESS TRAP
165406-02-000

TRAP-WATERLESS, 1-1/2"
165406-01-000

TOILET, HI, W/O SPR
184093-02-CHT

SCREW-FLAT HEAD
087721-01-000 (8)

STRAP-CONDUIT, 2"
008406-01-000
SCREW-PAN, HEAD
000G39-08-12U (2)

ELBOW-1 1/2"
136111-01-000

BRACKET-SUPPORT
190018-01-CHT
FITTING-BULKHEAD
136656-01-CHT

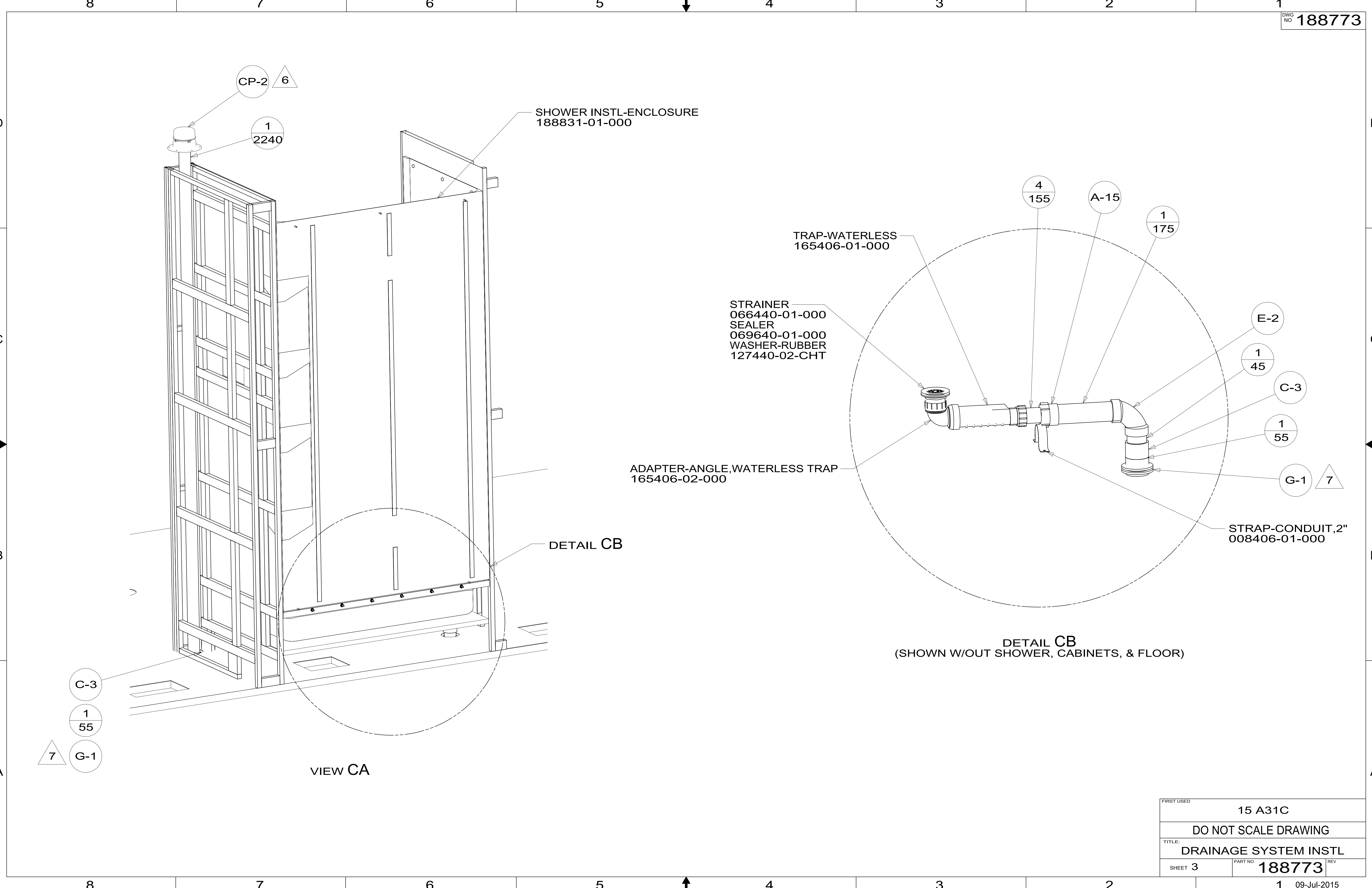
DETAIL BC
(SHOWN W/OUT CABINETS & FLOOR)

VIEW BB

VIEW BA

FIRST USED	15 A31C
DO NOT SCALE DRAWING	
TITLE: DRAINAGE SYSTEM INSTL	
SHEET 2	PART NO 188773 REV
1 09-Jul-2015	

188773



SHOWER INSTL-ENCLOSURE
188831-01-000

TRAP-WATERLESS
165406-01-000

STRAINER
066440-01-000
SEALER
069640-01-000
WASHER-RUBBER
127440-02-CHT

ADAPTER-ANGLE, WATERLESS TRAP
165406-02-000

STRAP-CONDUIT, 2"
008406-01-000

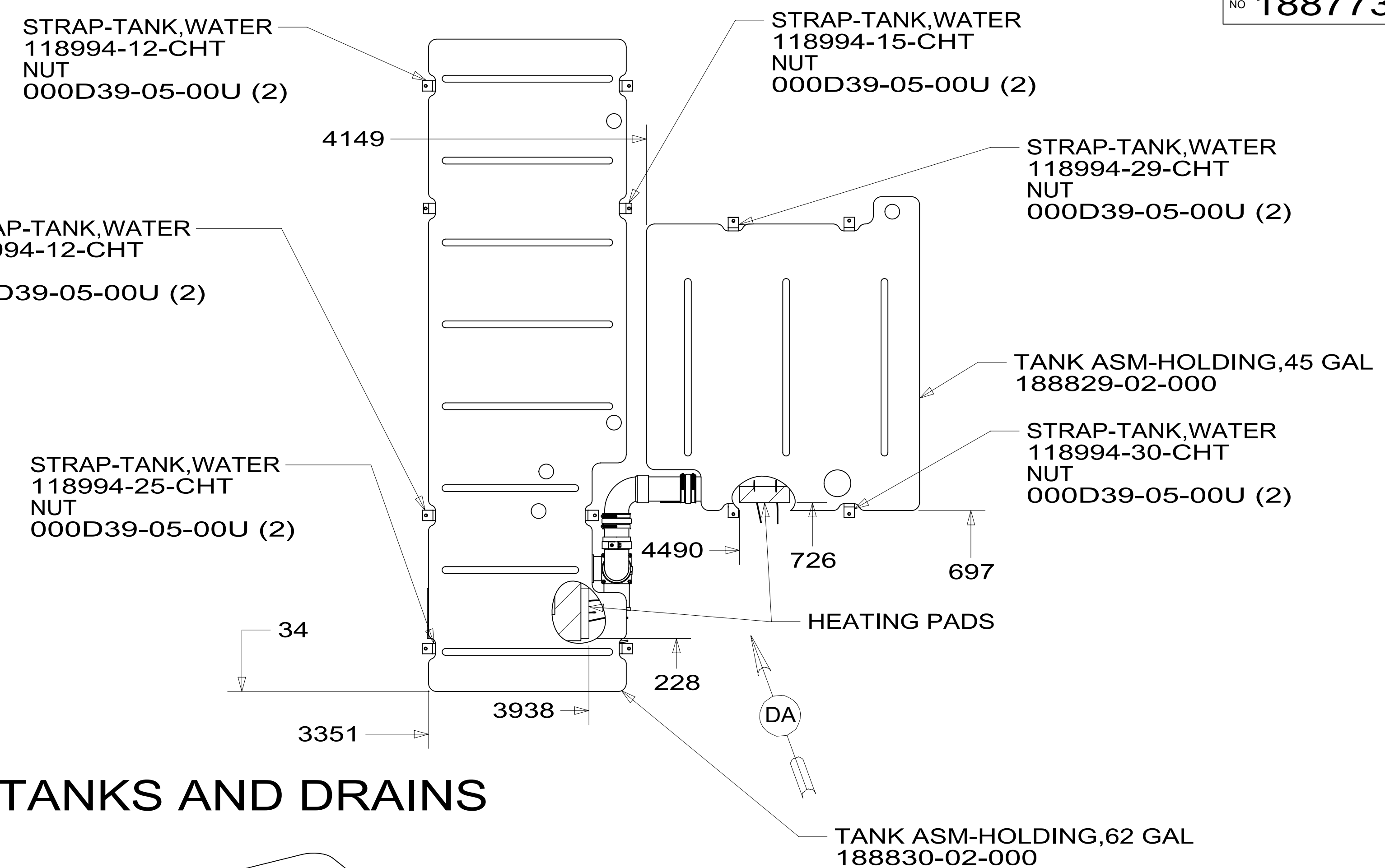
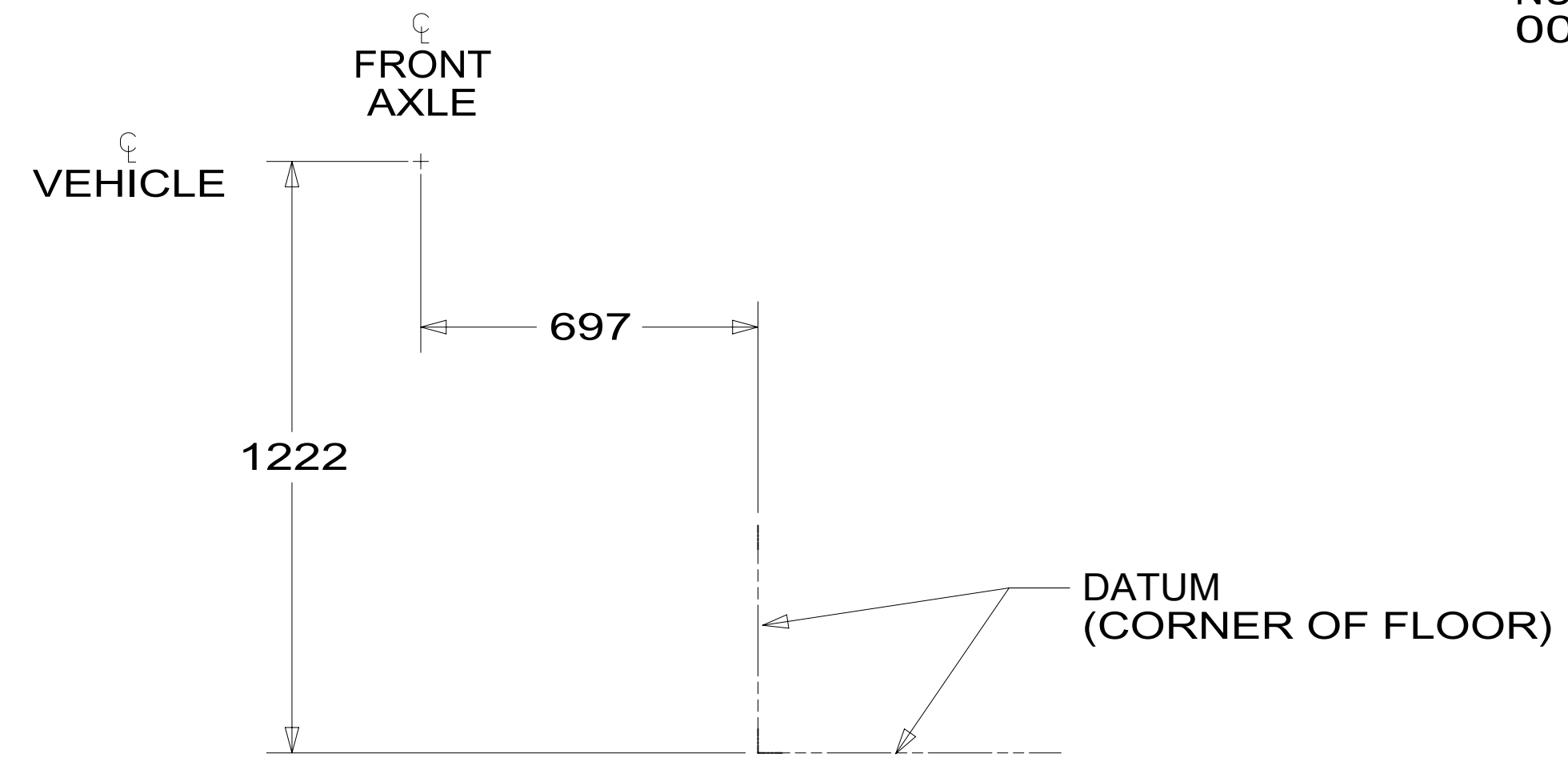
DETAIL CB
(SHOWN W/OUT SHOWER, CABINETS, & FLOOR)

VIEW CA

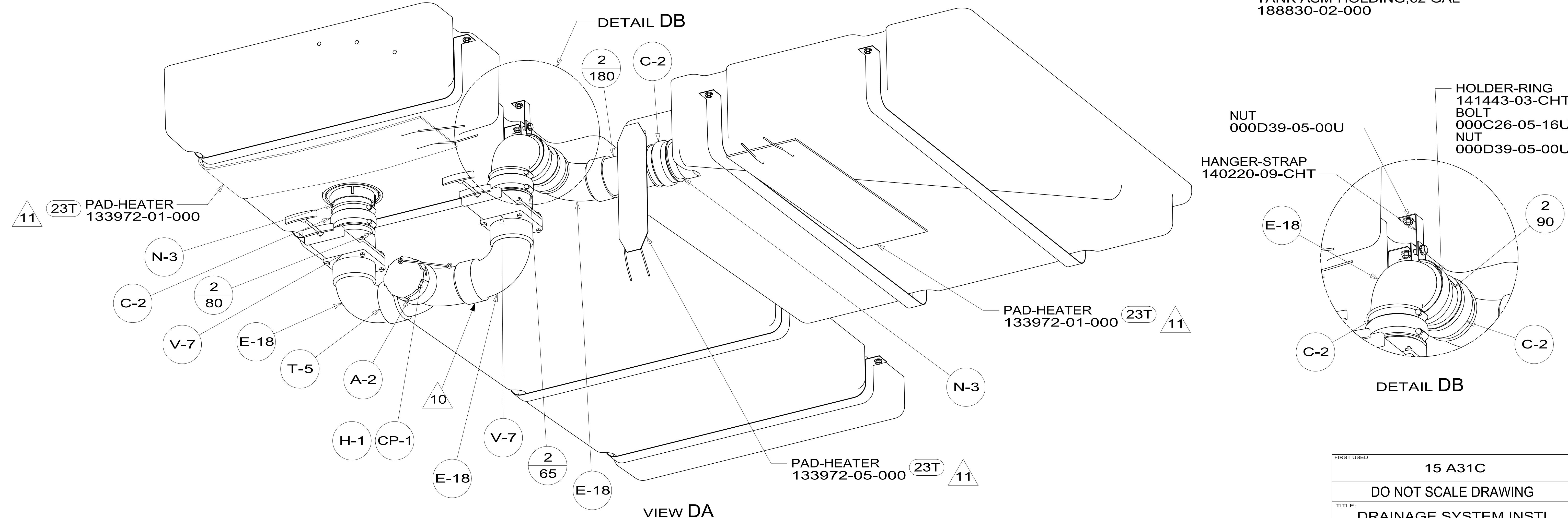
DETAIL CB

FIRST USED	15 A31C
TITLE:	DO NOT SCALE DRAWING
TITLE:	DRAINAGE SYSTEM INSTL
SHEET 3	PART NO 188773 REV
	1 09-Jul-2015

*188773 *A

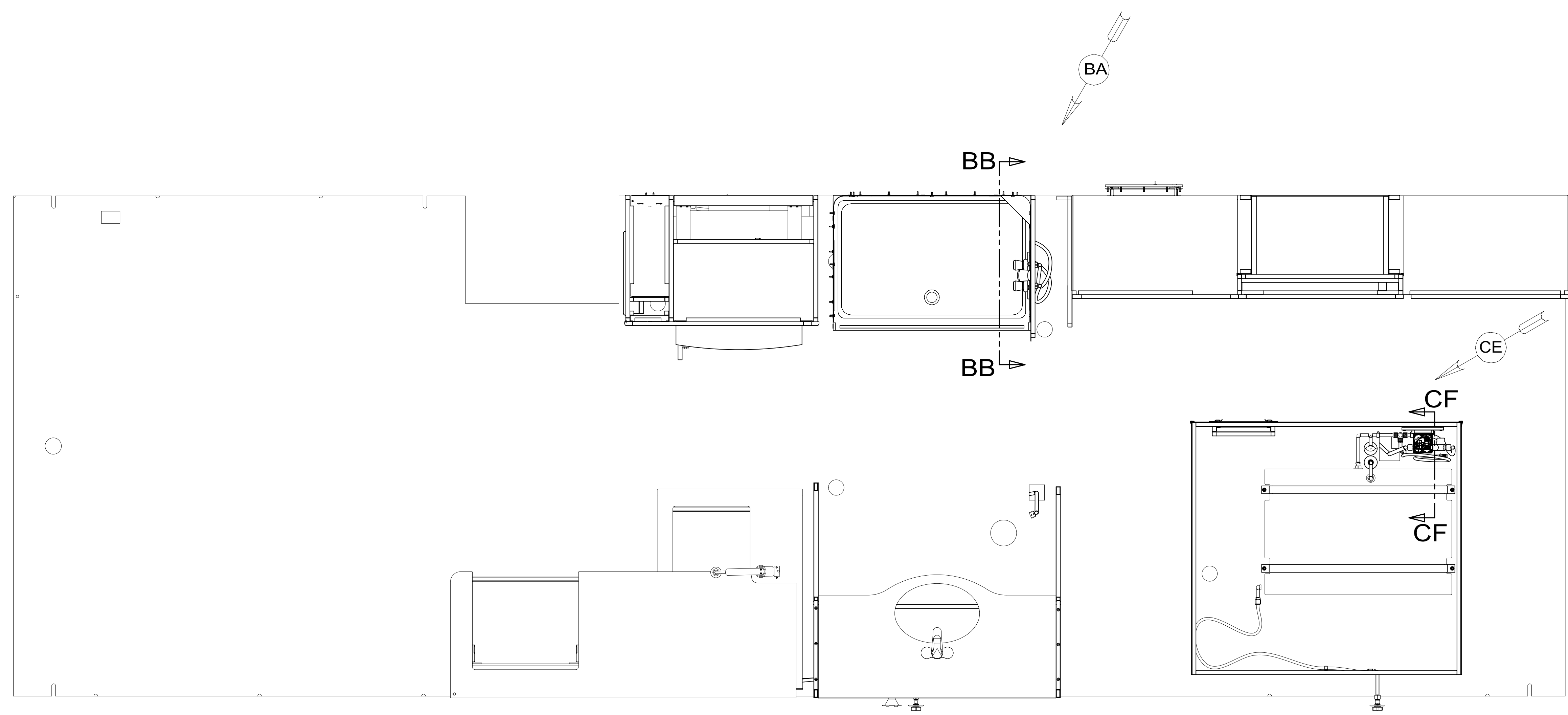


SHOWING TANKS AND DRAINS



FIRST USED	15 A31C	
TITLE:	DO NOT SCALE DRAWING	
SHEET 4	PART NO	188773
	REV	09-Jul-2015

*188773 *A



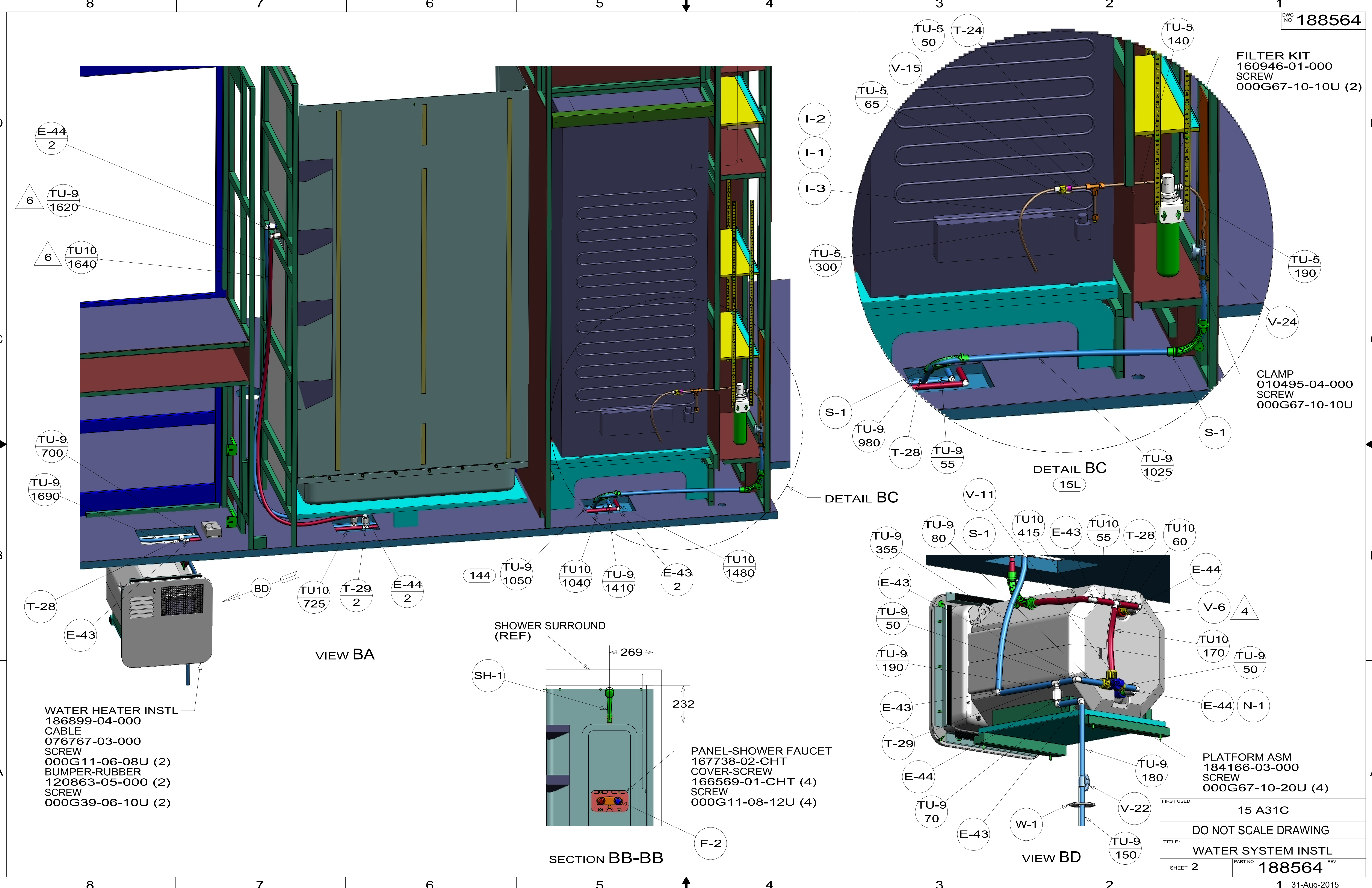
- NOTES:
- 9 CLAMP LINES TO EDGE OF GALLEY CABINET FLOOR.
 8. ALL CRIMP FITTINGS TO PEX TUBING REQUIRE 1/2" CLAMP 140171-03-000.
 7. ALL CRIMP FITTINGS TO PEX TUBING REQUIRE 5/8" CLAMP 140171-04-000.
 - 6 LABEL HOT AND COLD SUPPLY TUBES AND TAPE FITTING TO TUBE BEFORE CABINET SET TO PREVENT MOVEMENT.
 - 5 ADD PIPE WRAP (LADDER SCRAP 110157-02-000) INSULATION.
 - 4 ADD TEFLON TAPE 010405-02-000.
 3. ALL TUBING TO BE SECURED AT 1200 INTERVALS MAXIMUM WITH CLAMP 010495-01-000 AND SCREW 000G67-10-12U OR EQUIVALENT.
 2. TUBING TO BE INSTALLED WITH SUFFICIENT SLOPE TO PROVIDE DRAINAGE TO NEAREST VALVE.
 1. PLASTIC FITTINGS TO BE SEALED WITH SEALANT 084456-01-000.

- 144 REFRIGERATOR-DOUBLE DOOR
- 15L RESIDENTIAL REFRIGERATOR PKG

FOR WATER CALLOUTS SEE DWG NO 116230-01-000

WINNEBAGO		COPYRIGHT 2014 WINNEBAGO INDUSTRIES, INC.	
DFT-ORIG	ORIG. DATE		
CHKR	ALL DIMENSIONS ARE IN MILLIMETERS		
P.E.			
M.E.	FIRST USED		
DSNR	15 A31C		
UNSPECIFIED TOLERANCES ARE:		MATERIAL:	
WHOLE DIM (X)	: 3		
ONE-PLACE (X.X)	: 1.5		
TWO-PLACE (X.XX)	: 0.50		
ANGLE	: 1°		
THIRD ANGLE PROJECTION			
DO NOT SCALE DRAWING		REFER TO ES0018 FOR FASTENER TIGHTENING GUIDELINES	
TITLE: WATER SYSTEM INSTL			
SHEET 1 OF 4	PART NO	188564	REV
REF:	1 31-Aug-2015		

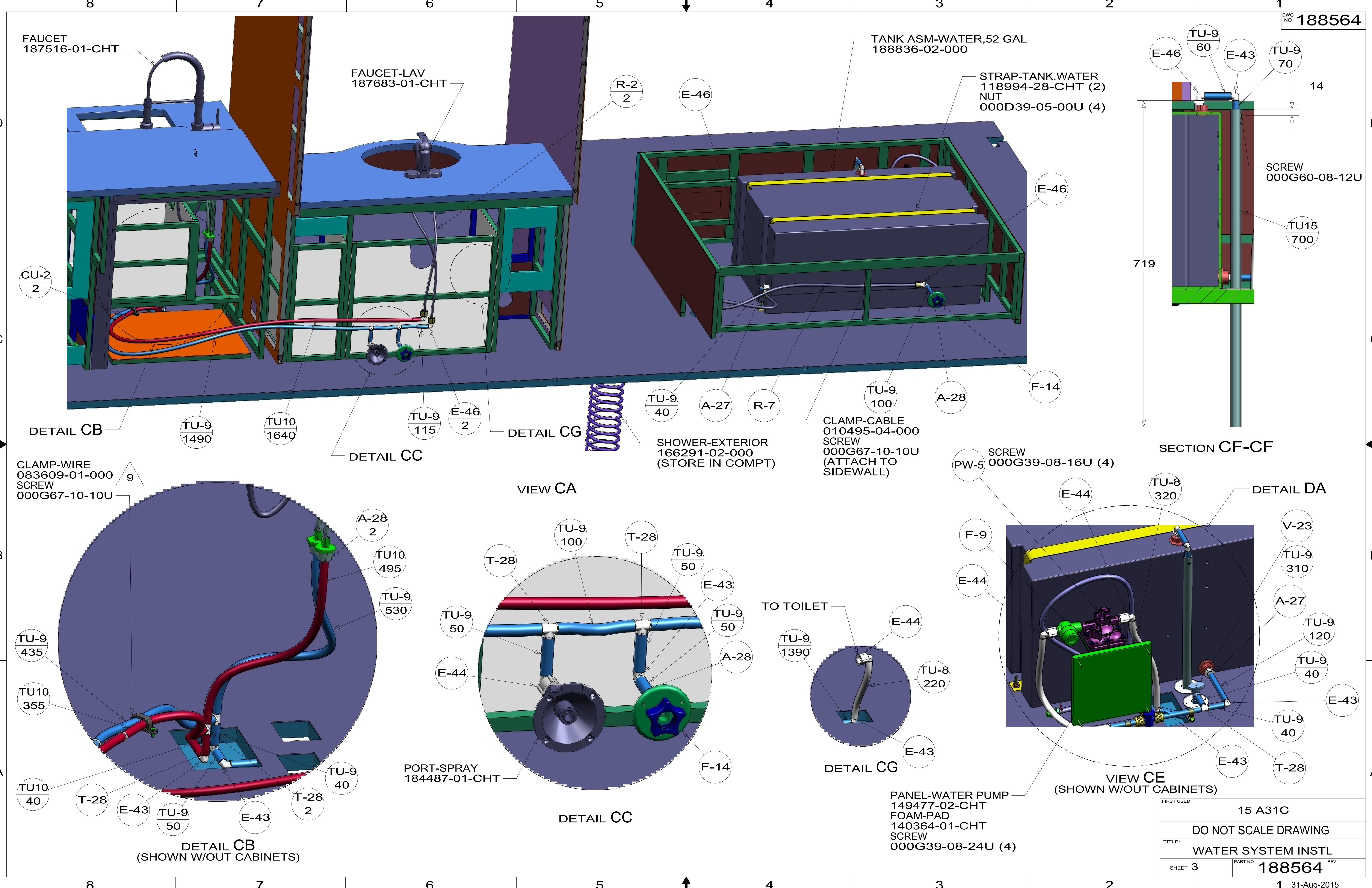
*188564 *A



- WATER HEATER INSTL
 186899-04-000
 CABLE
 076767-03-000
 SCREW
 000G11-06-08U (2)
 BUMPER-RUBBER
 120863-05-000 (2)
 SCREW
 000G39-06-10U (2)

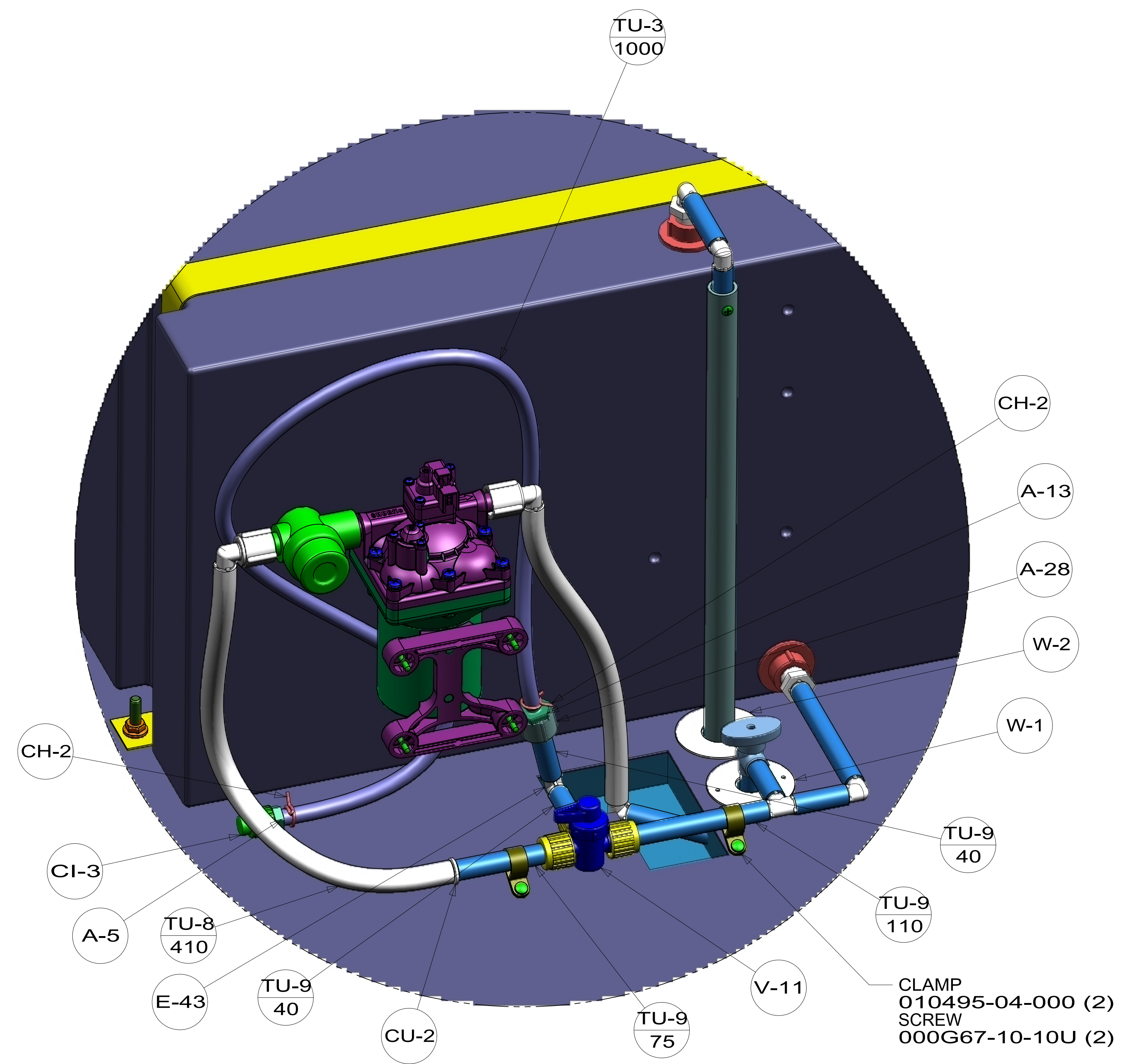
FIRST USED	15 A31C
DO NOT SCALE DRAWING	
TITLE: WATER SYSTEM INSTL	
SHEET 2	PART NO 188564 REV
1 31-Aug-2015	

*188564 *A



FIRST USED	15 A31C
DO NOT SCALE DRAWING	
TITLE: WATER SYSTEM INSTL	
SHEET 3	PART NO 188564 REV
1 31-Aug-2015	

188564



DETAIL DA
(SHOWN W/OUT CABINETS & PANEL)

FIRST USED	15 A31C		
TITLE:	DO NOT SCALE DRAWING		
TITLE:	WATER SYSTEM INSTL		
SHEET 4	PART NO	188564	REV

*188564 *A