

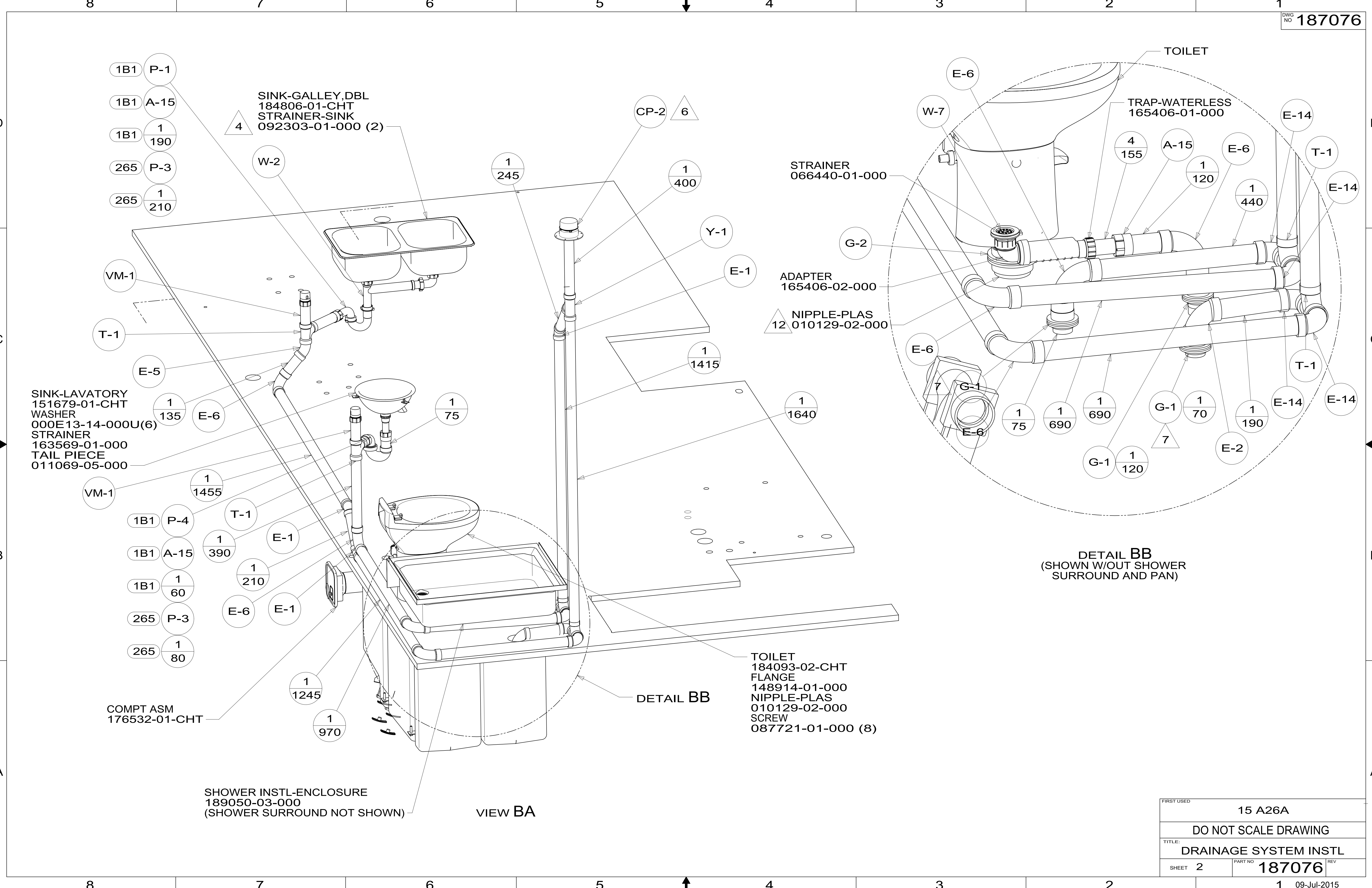
- NOTES:
1. SLOPE OF HORIZONTAL PIPING TO BE MINIMUM OF 3 PER 305 mm.
 2. SLOPE OF TRAP ARM MUST BE 6 PER 305 mm.
 3. ALL PIPE AND FITTINGS TO BE ASSEMBLED WITH SOLVENT 004020-01-000 (USA), 004020-02-000 (CAN)
 4. USE SMOOTH PLUMBERS PUTTY 167459-01-000 TO SEAL STRAINER (0.2 PER STRAINER).
 5. SEAL AROUND SHOWER WITH SILICONE.
 6. VENT PIPE MUST PROJECT 51 MIN AND 64 MAX ABOVE ROOF FOR PROPER FIT AND FUNCTION. ADD S-1 (116666-01-CHT SEAL-VENT PIPE) AROUND PIPE ON ROOF BEFORE VENT CAP IS INSTALLED.
 7. SECURE VENT PIPE TO FLOOR WITH CLAMP 062401-02-000 (2), SCREW 000G67-10-12U (2), BRACKET 136878-01-CHT (2).
 8. SECURE DRAINAGE PIPES TO CABINET USING WIRE TIE 108046-02-000, AND SCREW 000G67-10-12U AT INTERVALS OF NOT MORE THAN 4 FEET APART.
 9. SEE DRAWING 061607 FOR INSTALLATION OF GROMMETS.
 10. SEE WIRING INSTL-BODY FOR ELECTRICAL CONNECTION.
 11. PREP THE SURFACE PER MANUFACTURERS INSTRUCTIONS BEFORE APPLYING THE HEATING PAD.
 12. CUT PART TO 90mm.

- 265 CODES/STANDARDS-CSA/CMVSS
- 23T DRAINAGE SYSTEM-HEATED
- 1B1 CODES/STANDARDS USA

WINNEBAGO		COPYRIGHT 2014 WINNEBAGO INDUSTRIES, INC.	
DFT-ORIG	ORIG. DATE		
CHKR	ALL DIMENSIONS ARE IN MILLIMETERS		
P.E.			
M.E.	FIRST USED		
DSNR	15 A26A		
UNSPECIFIED TOLERANCES ARE:		MATERIAL:	
WHOLE DIM (X)	: 3		
ONE-PLACE (X.X)	: 1.5		
TWO-PLACE (X.XX)	: 0.50		
ANGLE	: 1°		
THIRD ANGLE PROJECTION			
DO NOT SCALE DRAWING		REFER TO ES0018 FOR FASTENER TIGHTENING GUIDELINES	
TITLE: DRAINAGE SYSTEM INSTL			
SHEET 1 OF 3	PART NO	187076	REV
REF:	1	09-Jul-2015	

FOR
DRAINAGE
CALLOUTS
SEE DWG NO
116229-01-000

187076



SINK-GALLEY, DBL
184806-01-CHT
STRAINER-SINK
092303-01-000 (2)

SINK-LAVATORY
151679-01-CHT
WASHER
000E13-14-000U(6)
STRAINER
163569-01-000
TAIL PIECE
011069-05-000

SHOWER INSTL-ENCLOSURE
189050-03-000
(SHOWER SURROUND NOT SHOWN)

STRAINER
066440-01-000

ADAPTER
165406-02-000

NIPPLE-PLAS
12 010129-02-000

TOILET
184093-02-CHT
FLANGE
148914-01-000
NIPPLE-PLAS
010129-02-000
SCREW
087721-01-000 (8)

TRAP-WATERLESS
165406-01-000

DETAIL BB
(SHOWN W/OUT SHOWER
SURROUND AND PAN)

FIRST USED	15 A26A	
TITLE:	DO NOT SCALE DRAWING	
SHEET	2	PART NO 187076
REV	1	09-Jul-2015

187076

FRONT AXLE

VEHICLE

1222

705

DATUM

VIEW CA

367

4680 (2)

35

TANK-HOLDING, 42 GAL
187581-02-000

PAD-HEATER
133972-04-000 (2) 10 11 23T

V-11

2
80

C-2

N-3

176
(2)

70

2
115

E-11

HANGER-STRAP
140220-07-CHT
BOLT
000C26-06-24U
NUT
000D39-06-00U

HOLDER-RING
141443-05-CHT
BOLT
000C26-05-16U
NUT
000D39-05-00U

23T
10 11 PAD-HEATER
133972-05-000 (2)

E-13

70

2
340

C-2

N-3

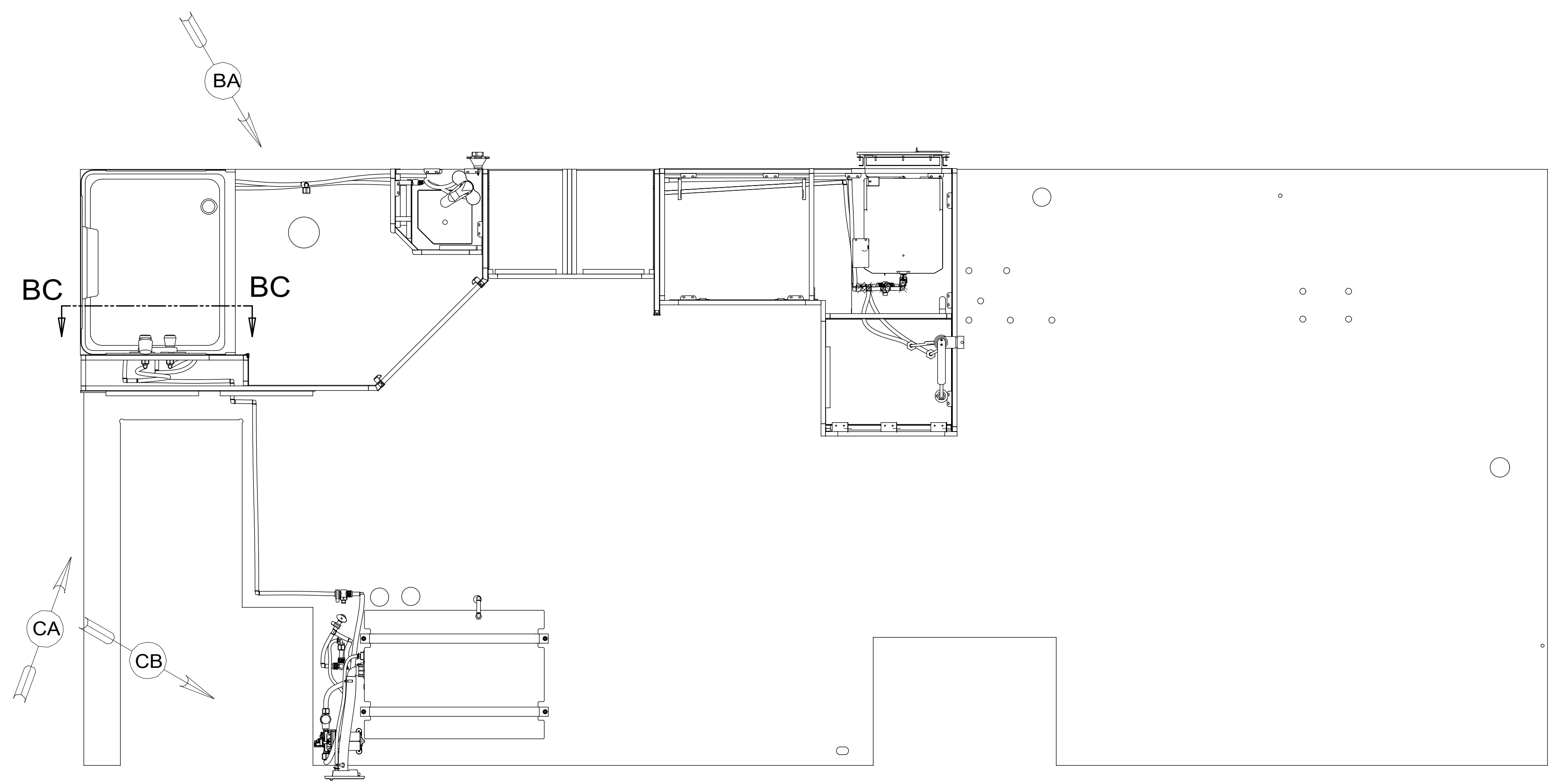
TANK-HOLDING
187581-03-000

STRAP-HLDG TANK MTG
153148-24-CHT (4)
BOLT
000C26-06-24U (6)

VIEW CB

FIRST USED	15 A26A		
TITLE:	DO NOT SCALE DRAWING		
TITLE:	DRAINAGE SYSTEM INSTL		
SHEET 3	PART NO	187076	REV
	1	09-Jul-2015	

187076



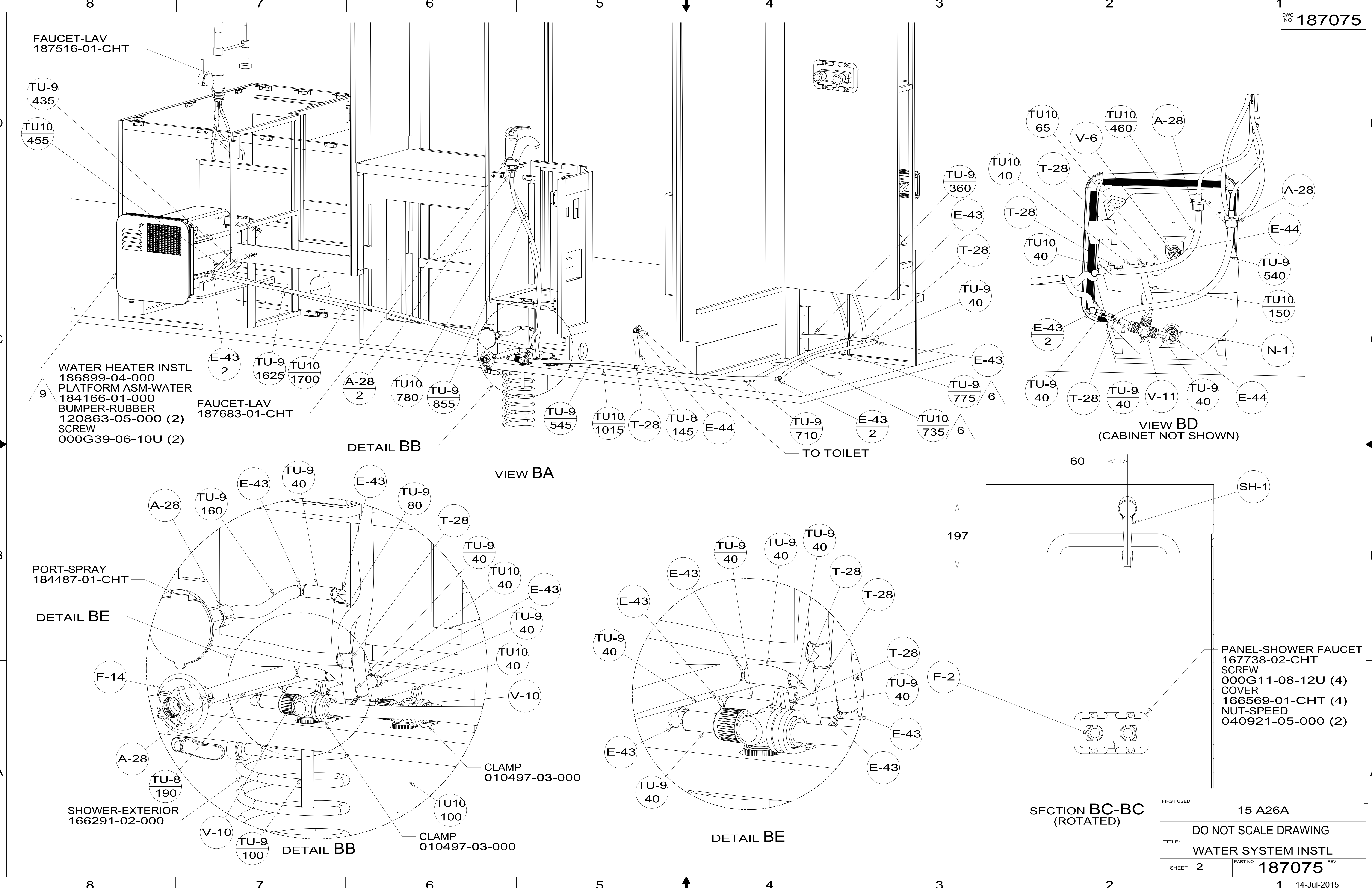
- NOTES:
- 9 FASTEN PLATFORM TO FLOOR AFTER SIDEWALL IS SET AND HEATER IS ATTACHED TO WALL.
 8. ALL CRIMP FITTINGS TO 1/2" PEX TUBING REQUIRE 1/2" CLAMP 140171-03-000.
 7. ALL CRIMP FITTINGS TO 5/8" PEX TUBING REQUIRE 5/8" CLAMP 140171-04-000.
 - 6 LABEL HOT AND COLD SUPPLY TUBES AND TAPE FITTING TO TUBE BEFORE CABINET SET TO PREVENT MOVEMENT.
 - 5 ADD PIPE WRAP (LADDER SCRAP 110157-02-000) INSULATION.
 - 4 ADD TEFLON TAPE 010405-02-000.
 3. ALL TUBING TO BE SECURED AT 1200 INTERVALS MAXIMUM WITH CLAMP 010495-01-000 AND SCREW 000G67-10-12U OR EQUIVALENT.
 2. TUBING TO BE INSTALLED WITH SUFFICIENT SLOPE TO PROVIDE DRAINAGE TO NEAREST VALVE.
 1. PLASTIC FITTINGS TO BE SEALED WITH SEALANT 084456-01-000.

FOR WATER CALLOUTS SEE DWG NO 116230-01-000

WINNEBAGO INDUSTRIES, INC. COPYRIGHT 2014

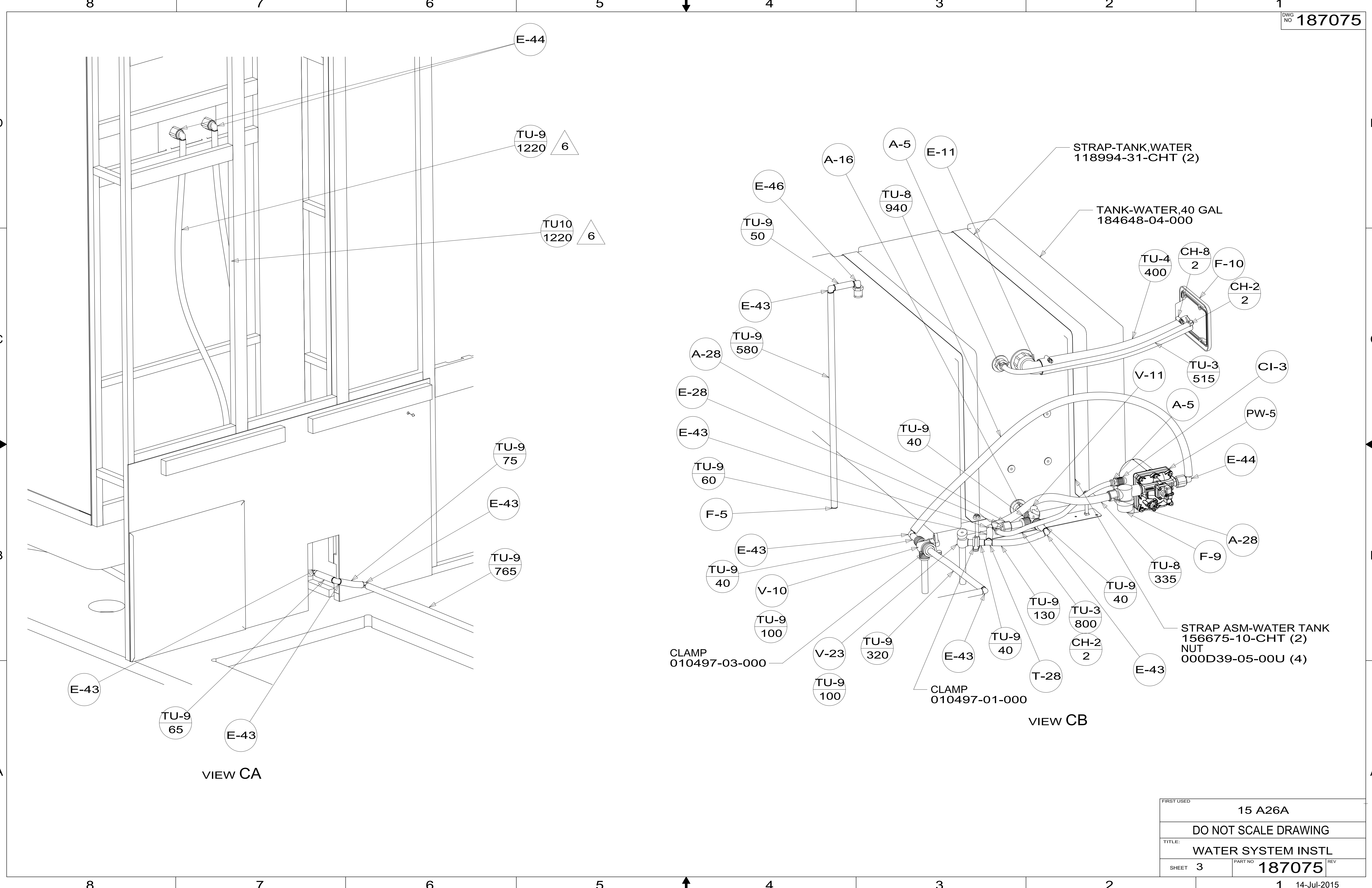
DFT-ORIG	ORIG. DATE
CHKR	ALL DIMENSIONS ARE IN MILLIMETERS
P.E.	
M.E.	FIRST USED
DSNR	15 A26A
UNSPECIFIED TOLERANCES ARE:	
WHOLE DIM (X)	: 3
ONE-PLACE (X.X)	: 1.5
TWO-PLACE (X.XX)	: 0.50
ANGLE	: 1°
THIRD ANGLE PROJECTION	
DO NOT SCALE DRAWING	REFER TO ES0018 FOR FASTENER TIGHTENING GUIDELINES
TITLE: WATER SYSTEM INSTL	
SHEET 1 OF 3	PART NO 187075 REV
REF:	1 14-Jul-2015

*187075 *A



FIRST USED	15 A26A	
TITLE:	DO NOT SCALE DRAWING	
SHEET	2	PART NO 187075
		REV
		14-Jul-2015

187075



FIRST USED	15 A26A	
TITLE:	DO NOT SCALE DRAWING	
	WATER SYSTEM INSTL	
SHEET 3	PART NO 187075	REV
	1	14-Jul-2015

187075